



US00D739037S

(12) **United States Design Patent**
Lin et al.

(10) **Patent No.:** **US D739,037 S**
(45) **Date of Patent:** **** Sep. 15, 2015**

(54) **DIAGNOSTIC DEVICE**

(71) Applicant: **EDAN Diagnostics**, San Diego, CA
(US)

(72) Inventors: **Chao Lin**, San Diego, CA (US); **Paul David Swanson**, Santee, CA (US); **Zhixiang Jason Zhao**, Plainsboro, NJ (US)

(73) Assignee: **EDAN DIAGNOSTICS**, San Diego, CA (US)

(**) Term: **14 Years**

(21) Appl. No.: **29/503,906**

(22) Filed: **Sep. 30, 2014**

Related U.S. Application Data

(62) Division of application No. 29/437,044, filed on Nov. 12, 2012, now Pat. No. Des. 717,459.

(51) **LOC (10) Cl.** **24-01**

(52) **U.S. Cl.**
USPC **D24/216**

(58) **Field of Classification Search**
USPC D24/216, 107, 169, 186, 232; D10/81; 422/62, 68.1, 69, 70, 72, 500; 435/287.1; 436/43, 45, 47; 204/403.1
See application file for complete search history.

(56) **References Cited**

U.S. PATENT DOCUMENTS

D239,881 S	5/1976	Morgan et al.
4,341,538 A	7/1982	Vadnay et al.
D267,037 S	11/1982	Spranger et al.
D282,282 S	1/1986	Chernack
D288,478 S	2/1987	Carlson et al.
D307,324 S	4/1990	Unger et al.
D312,695 S	12/1990	Unger et al.
D314,435 S	2/1991	Unger et al.
D319,504 S	8/1991	Sone et al.

5,042,691 A	8/1991	Maldonado
D322,124 S	12/1991	Lichte et al.
D328,789 S	8/1992	Kopf
D336,514 S	6/1993	Valerio et al.
D390,661 S	2/1998	Foggia
D404,140 S *	1/1999	Meguro D24/232
D445,509 S	7/2001	Berndt et al.

(Continued)

OTHER PUBLICATIONS

Office Action issued in related U.S. Appl. No. 29/504,942, dated Feb. 9, 2015.

(Continued)

Primary Examiner — Anhdao Doan

(74) *Attorney, Agent, or Firm* — Foley & Lardner LLP

(57) **CLAIM**

We claim the ornamental design for a diagnostic device, as shown and described.

DESCRIPTION

FIG. 1 is a top, front, right perspective view of an embodiment of the claimed design;

FIG. 2 is a top, front, left perspective view thereof;

FIG. 3 is a front elevation view thereof;

FIG. 4 is a rear elevation view thereof;

FIG. 5 is a right elevation view thereof;

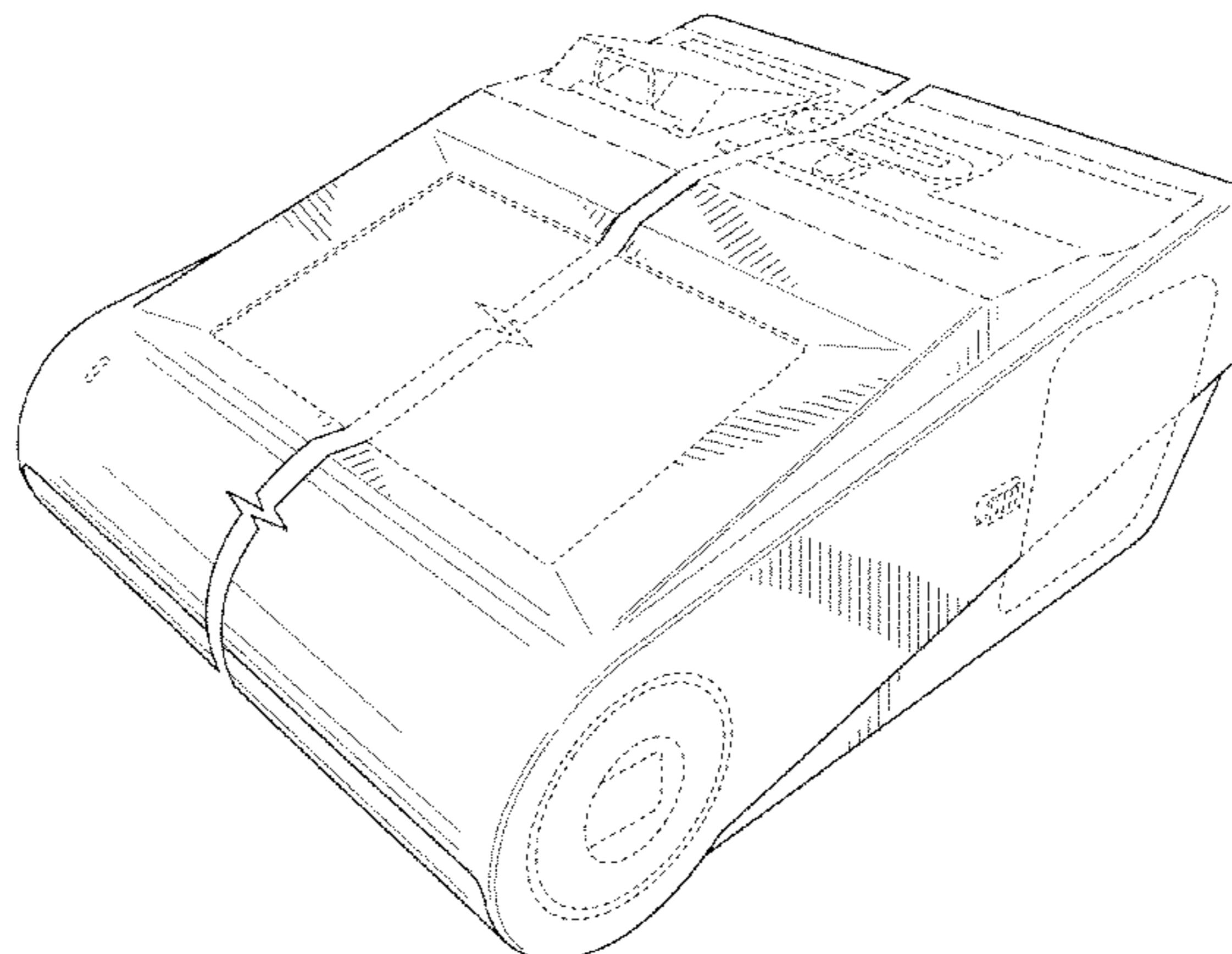
FIG. 6 is a left elevation view thereof;

FIG. 7 is a top plan view thereof; and,

FIG. 8 is a bottom plan view thereof.

The broken lines in the drawings are for purposes of illustrating unclaimed portions of the design. Broken lines formed by equal length dashes show unclaimed portions of the design. Broken lines formed of unequal length dashes (i.e., dash-dot) show boundaries between claimed and unclaimed portions of the design. Symbolic break lines having a jagged element show that the no particular length of the portion is claimed, such lines and any portion of the article between such lines forming no part of the claimed design.

1 Claim, 8 Drawing Sheets



(56)

References Cited

U.S. PATENT DOCUMENTS

D447,569 S 9/2001 Baily et al.
 D451,602 S 12/2001 Juhlin et al.
 D467,349 S * 12/2002 Niedbala et al. D24/232
 D475,787 S 6/2003 Zia et al.
 D489,816 S 5/2004 Ross
 D516,221 S * 2/2006 Wohlstadter et al. D24/216
 D597,216 S 7/2009 McGuigan et al.
 D623,300 S 9/2010 Zimerman et al.
 D634,442 S 3/2011 Tajima et al.
 D638,545 S 5/2011 Okawa et al.
 D647,209 S 10/2011 Muller et al.
 D657,067 S 4/2012 Shibata
 D665,917 S * 8/2012 TerMaat et al. D24/216
 D675,335 S 1/2013 Feuerabend et al.
 D681,231 S 4/2013 Steinhauer et al.
 D694,422 S 11/2013 Cook et al.
 D705,943 S 5/2014 Chang et al.
 D706,930 S 6/2014 Lin et al.
 8,741,234 B2 6/2014 Wang et al.
 8,741,235 B2 6/2014 Janisch et al.
 D708,749 S 7/2014 Appling et al.
 2003/0057108 A1 3/2003 Sridharan
 2003/0073089 A1 4/2003 Mauze et al.
 2005/0148091 A1 7/2005 Kitaguchi et al.
 2006/0127275 A1 6/2006 Holl et al.
 2007/0059204 A1 3/2007 Witty et al.
 2007/0172388 A1 7/2007 Padmanabhan et al.
 2008/0153096 A1 6/2008 Witty et al.
 2009/0065368 A1 3/2009 Davis et al.
 2010/0273248 A1 10/2010 Ha et al.
 2010/0328405 A1 12/2010 Ness et al.
 2011/0086378 A1 4/2011 Shany et al.
 2011/0198241 A1 8/2011 Murakami
 2011/0229373 A1 9/2011 Asakura
 2011/0287447 A1 11/2011 Norderhaug et al.
 2012/0179101 A1 7/2012 Briones et al.
 2012/0193376 A1 8/2012 Evans et al.

2012/0218740 A1 8/2012 Estes et al.
 2013/0140177 A1 6/2013 Lin et al.
 2013/0140179 A1 6/2013 Lin et al.
 2013/0142709 A1 6/2013 Lin et al.

OTHER PUBLICATIONS

U.S. Appl. No. 29/437,043, filed Nov. 12, 2012, Lin et al.
 Search Report and Written Opinion for Int'l Appln No. PCT/US2012/068299, mailed Apr. 1, 2013.
 Office Action issued in related U.S. Appl. No. 29/437,042, dated Jun. 5, 2013.
 Office Action issued in related U.S. Appl. No. 29/437,043, dated Jun. 5, 2013.
 Notice of Allowance mailed Jan. 17, 2014, as received in co-pending Design U.S. Appl. No. 29/437,042.
 Non-Final Office Action mailed Jan. 14, 2014, as received in co-pending Design U.S. Appl. No. 29/437,043.
 Notice of Allowance issued in related U.S. Appl. No. 29/437,043, dated Jul. 2, 2014.
 International Preliminary Report on Patentability issued in related International Patent Application No. PCT/US2012/068299, dated Jun. 10, 2014.
 Office Action issued in related U.S. Appl. No. 29/491,357, dated Sep. 24, 2014.
 Office Action issued in related U.S. Appl. No. 13/707,517, dated Aug. 13, 2014.
 Notice of Allowance issued in related U.S. Appl. No. 13/707,513, dated Nov. 17, 2014.
 Final Office Action issued in related U.S. Appl. No. 13/707,517, dated Apr. 24, 2015.
 Notice of Allowance issued in related Design U.S. Appl. No. 29/491,357, dated May 16, 2015.
 Notice of Allowance issued in related Design U.S. Appl. No. 29/504,942, dated Jun. 3, 2015.
 Non-Final Office Action issued in related U.S. Appl. No. 13/707,510, dated May 4, 2015.

* cited by examiner

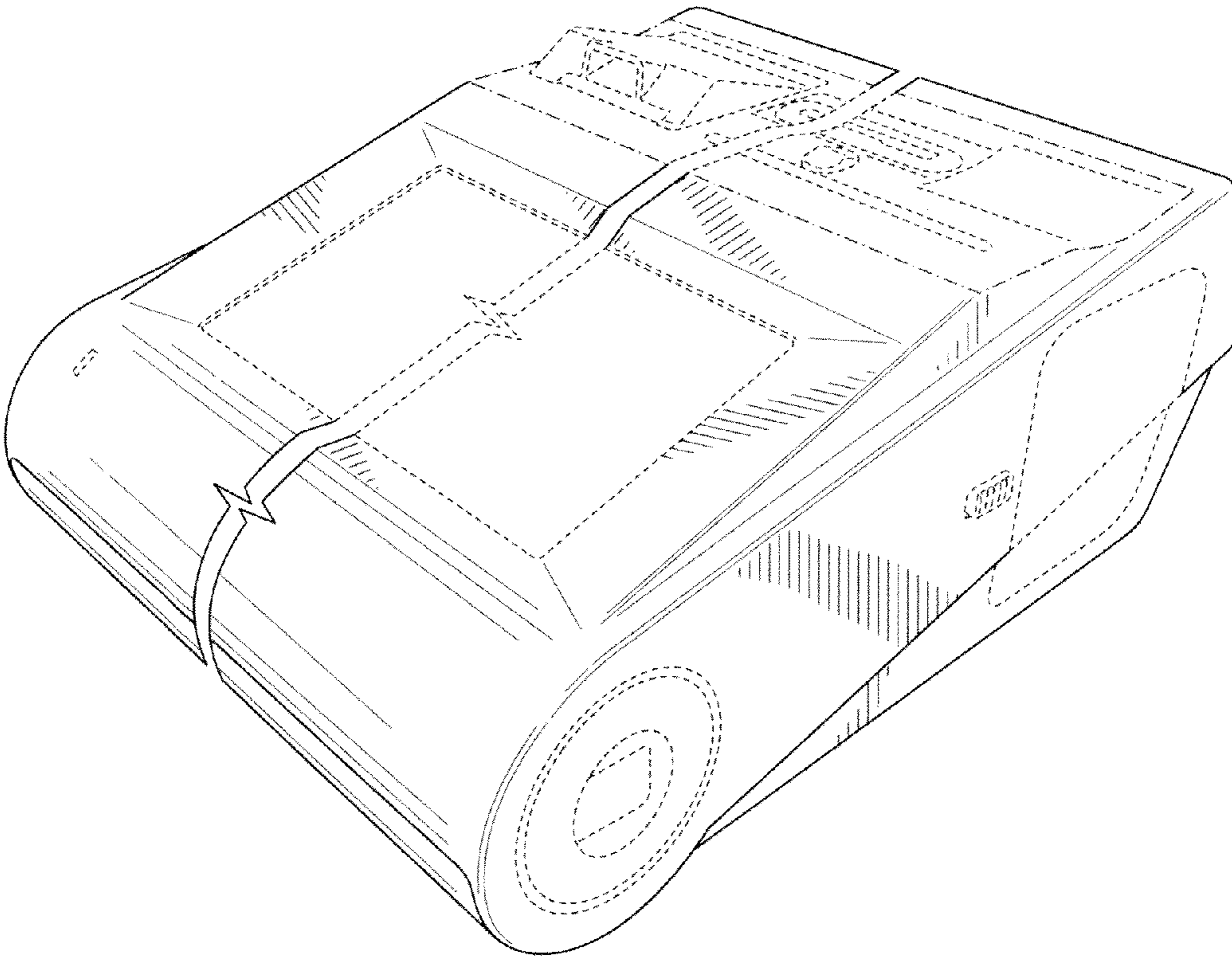


FIG. 1

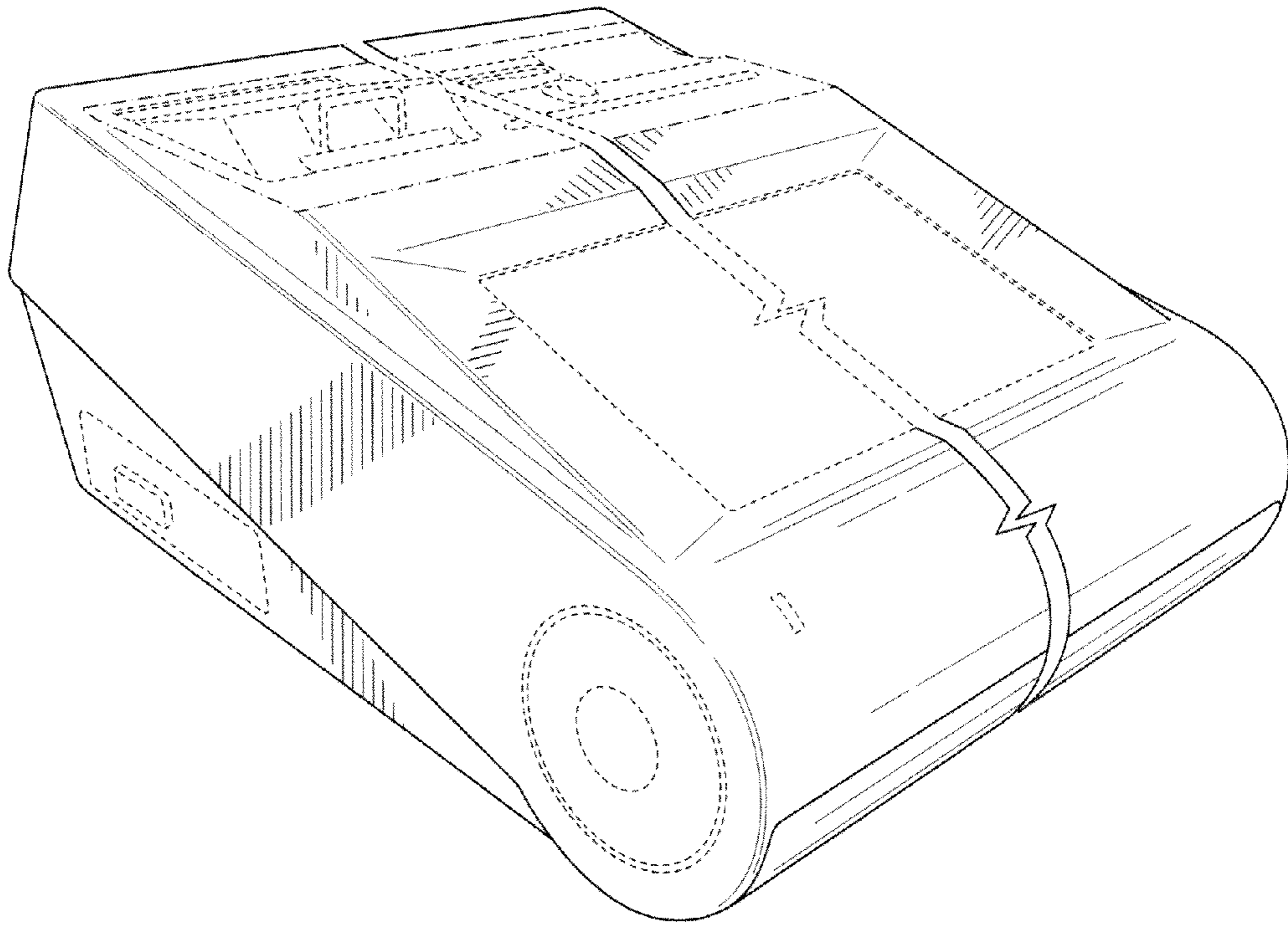


FIG. 2

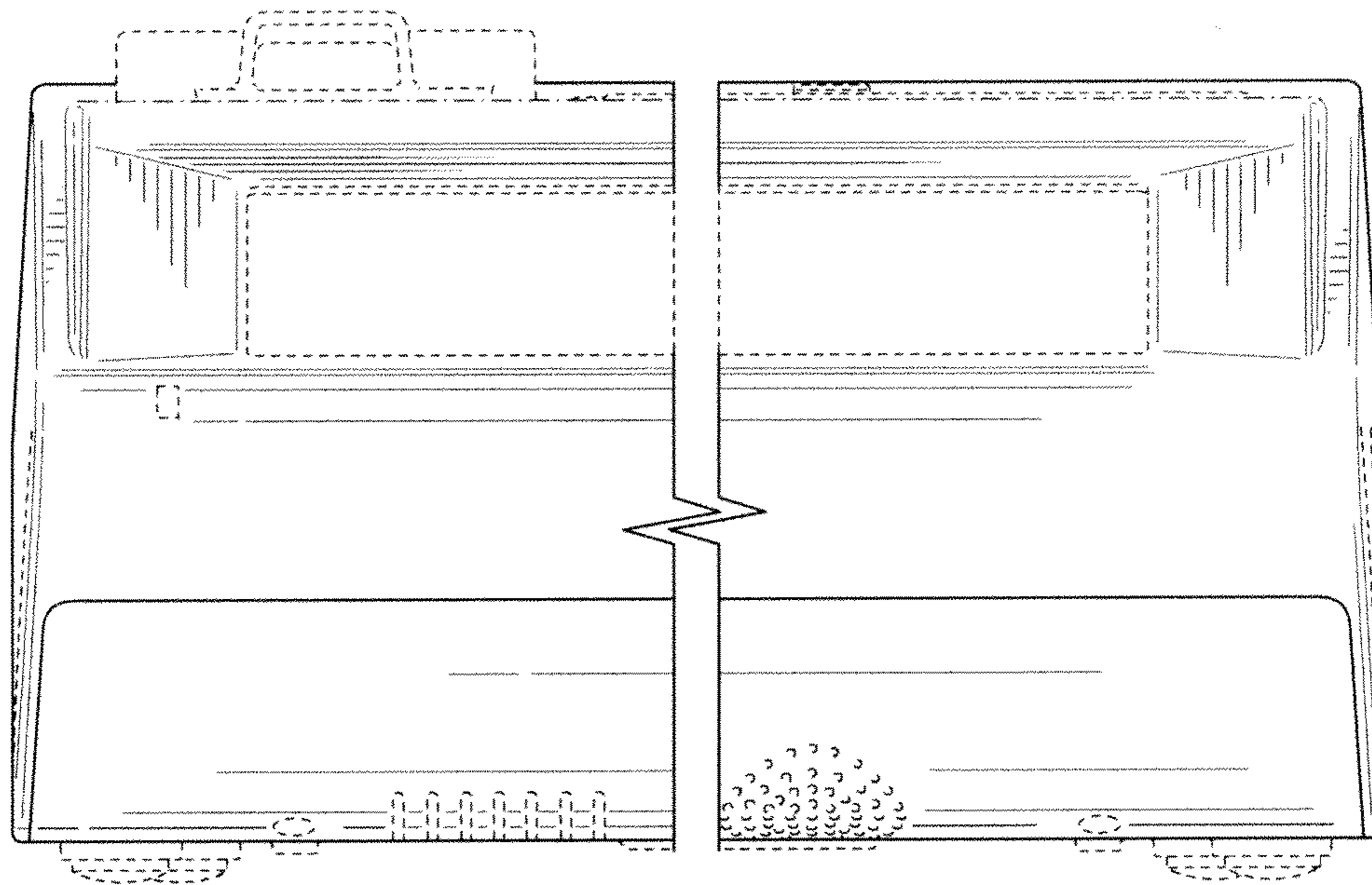


FIG. 3

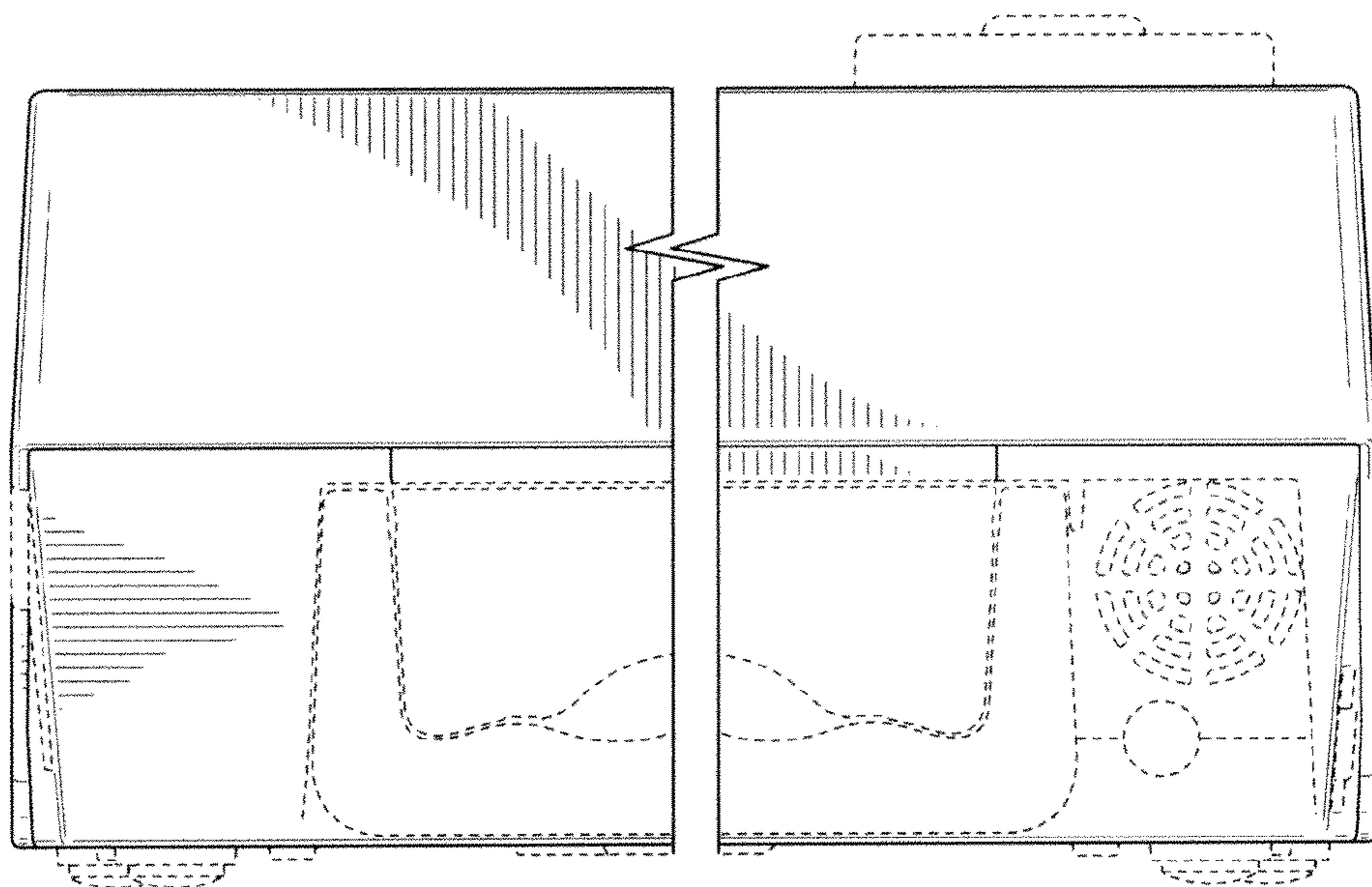


FIG. 4

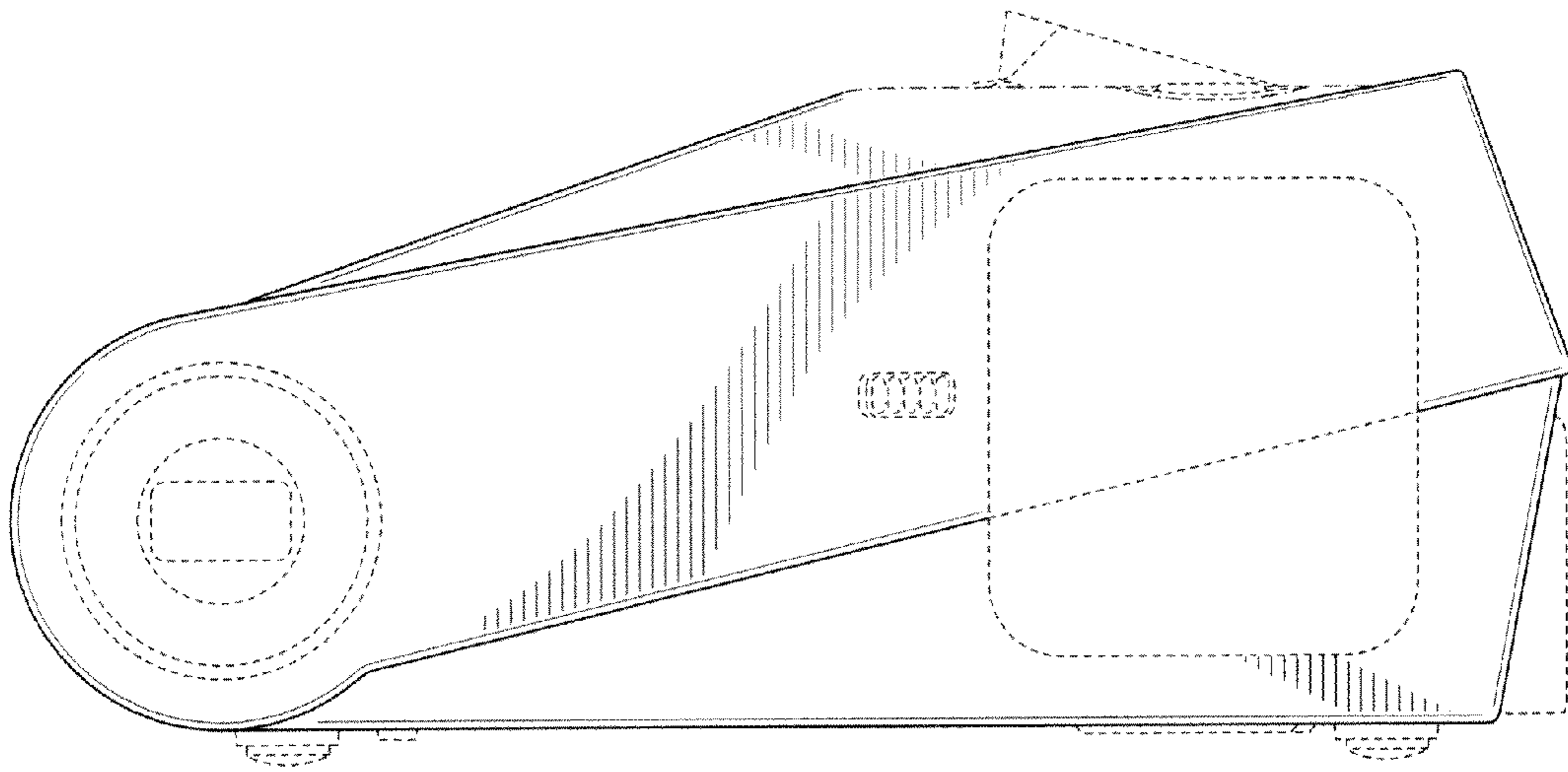


FIG. 5

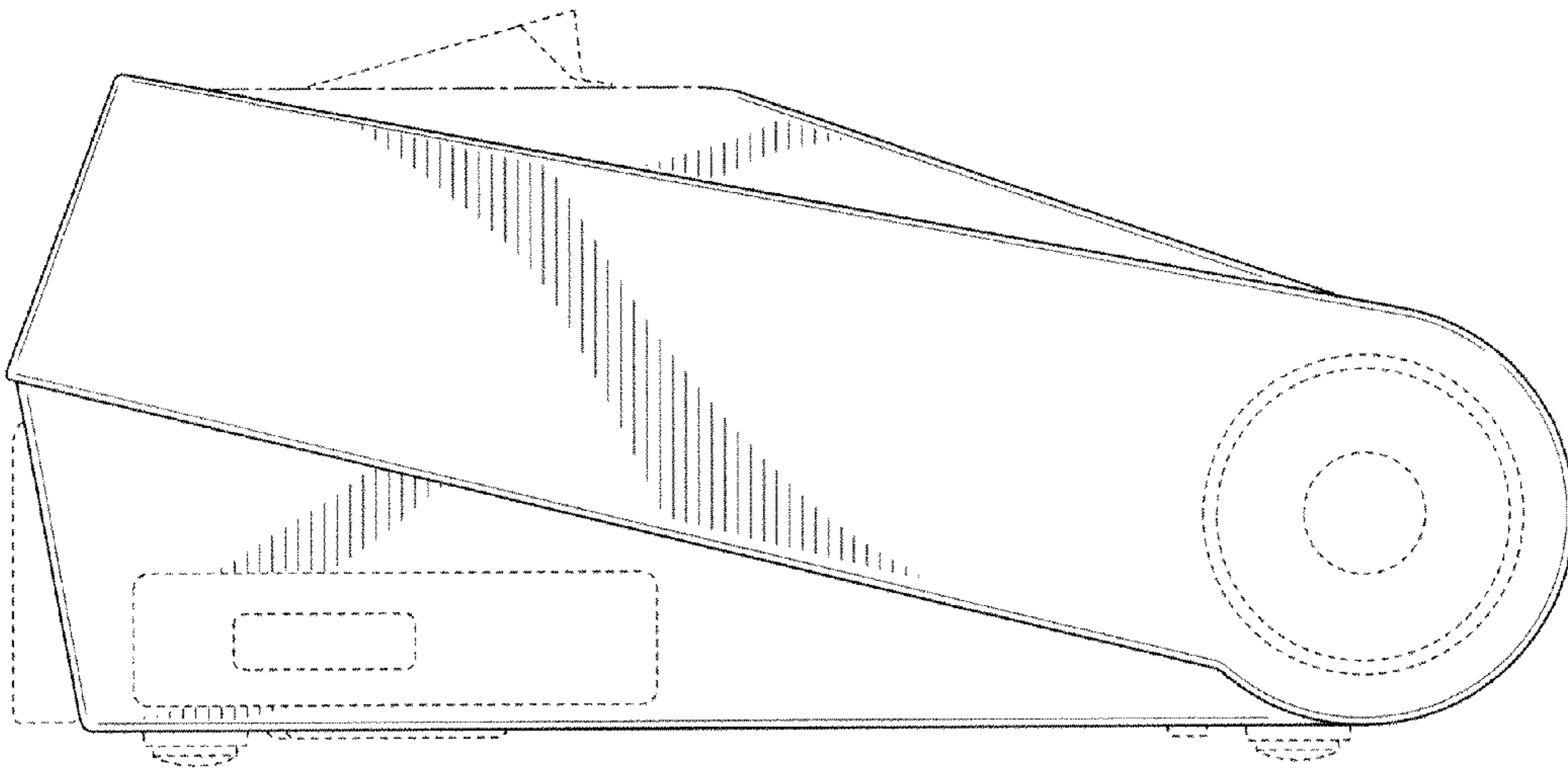


FIG. 6

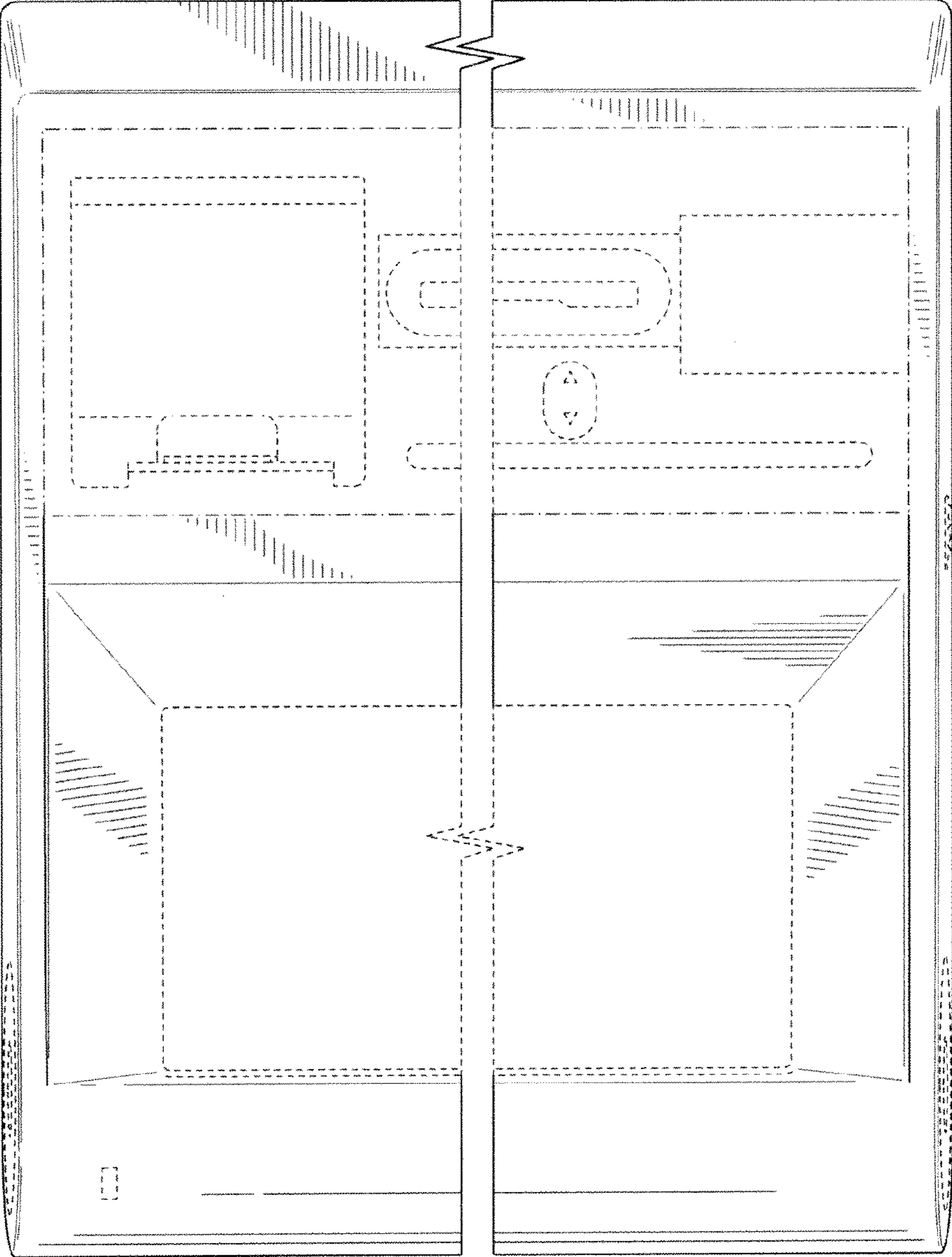


FIG. 7

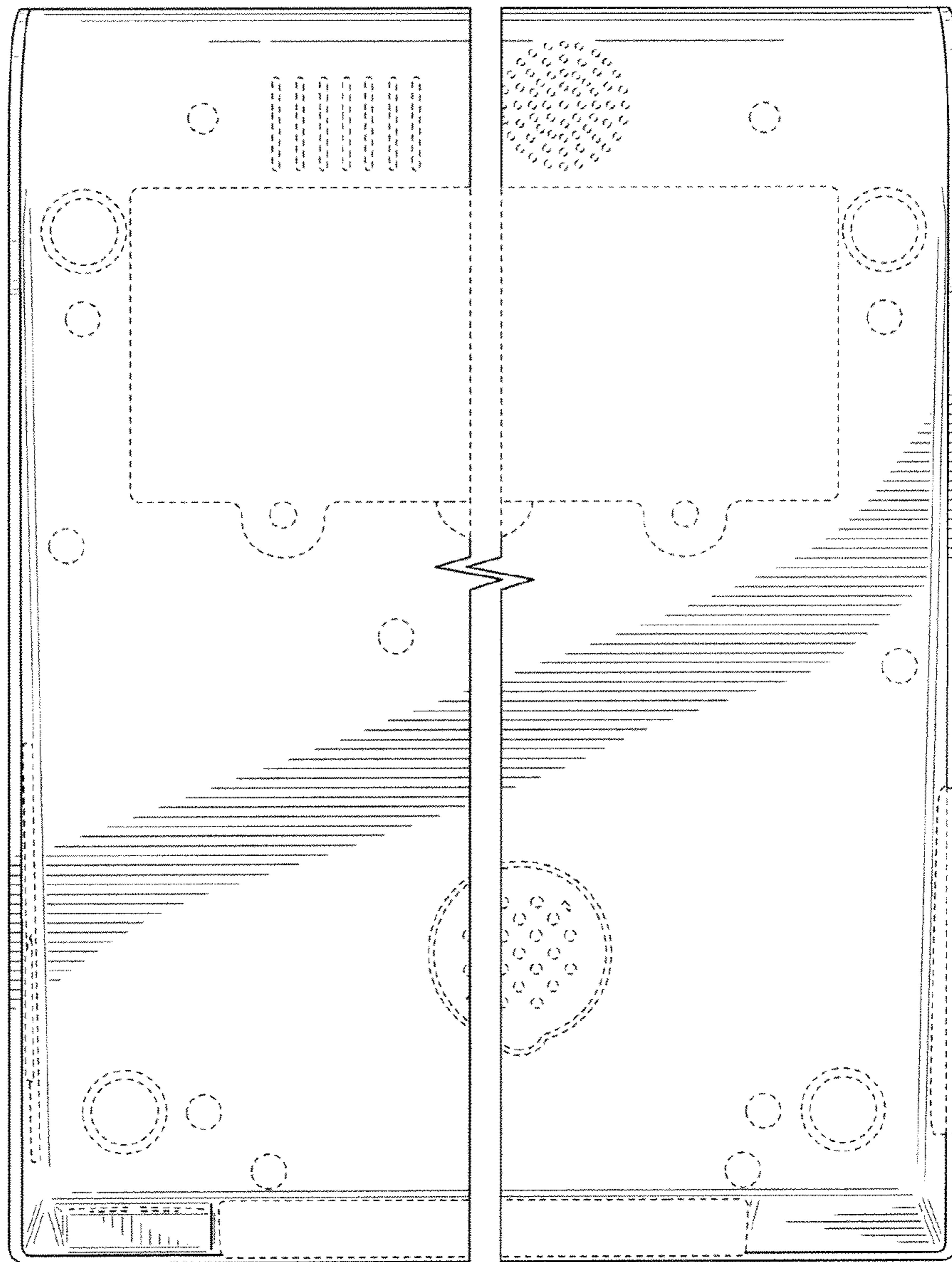


FIG. 8