



US00D739036S

(12) **United States Design Patent**
McAviney et al.

(10) **Patent No.:** **US D739,036 S**

(45) **Date of Patent:** **** Sep. 15, 2015**

(54) **SPINAL REHABILITATION DEVICE**

(71) Applicants: **Jeb McAviney**, Sydney (AU); **Adrian Dennewald**, Sydney (AU)

(72) Inventors: **Jeb McAviney**, Sydney (AU); **Adrian Dennewald**, Sydney (AU)

(**) Term: **14 Years**

(21) Appl. No.: **29/445,152**

(22) Filed: **Apr. 10, 2013**

(51) **LOC (10) Cl.** **28-03**

(52) **U.S. Cl.**
USPC **D24/211**; D25/119; D24/200

(58) **Field of Classification Search**
USPC D24/155–157, 188, 200, 211–215, 183;
D25/119; D21/385, 386, 392;
601/90–92
CPC A61H 2205/081; A61H 2201/1695;
A61H 15/0092

See application file for complete search history.

(56) **References Cited**

U.S. PATENT DOCUMENTS

D444,560 S * 7/2001 Berglund D24/188
D518,576 S * 4/2006 Sevier et al. D24/214

D551,355 S * 9/2007 Tao D24/200
D615,210 S * 5/2010 Woodhams et al. D24/211
D623,305 S * 9/2010 Tao D24/200
D635,271 S * 3/2011 Azar et al. D24/200
D664,256 S * 7/2012 Dennewald D24/183
D665,503 S * 8/2012 Dennewald D24/183
D672,879 S * 12/2012 Hawkins D24/200
D678,539 S * 3/2013 Narson D24/200
D680,654 S * 4/2013 Borreli D24/188
D688,379 S * 8/2013 Ehlers D24/211
D708,754 S * 7/2014 Harangvolgyi D24/211
D710,021 S * 7/2014 Blaine et al. D24/200
D715,452 S * 10/2014 Schiavon D24/200
2007/0101503 A1 * 5/2007 Dennewald 5/638
2014/0076330 A1 * 3/2014 Rolle et al. 128/845

* cited by examiner

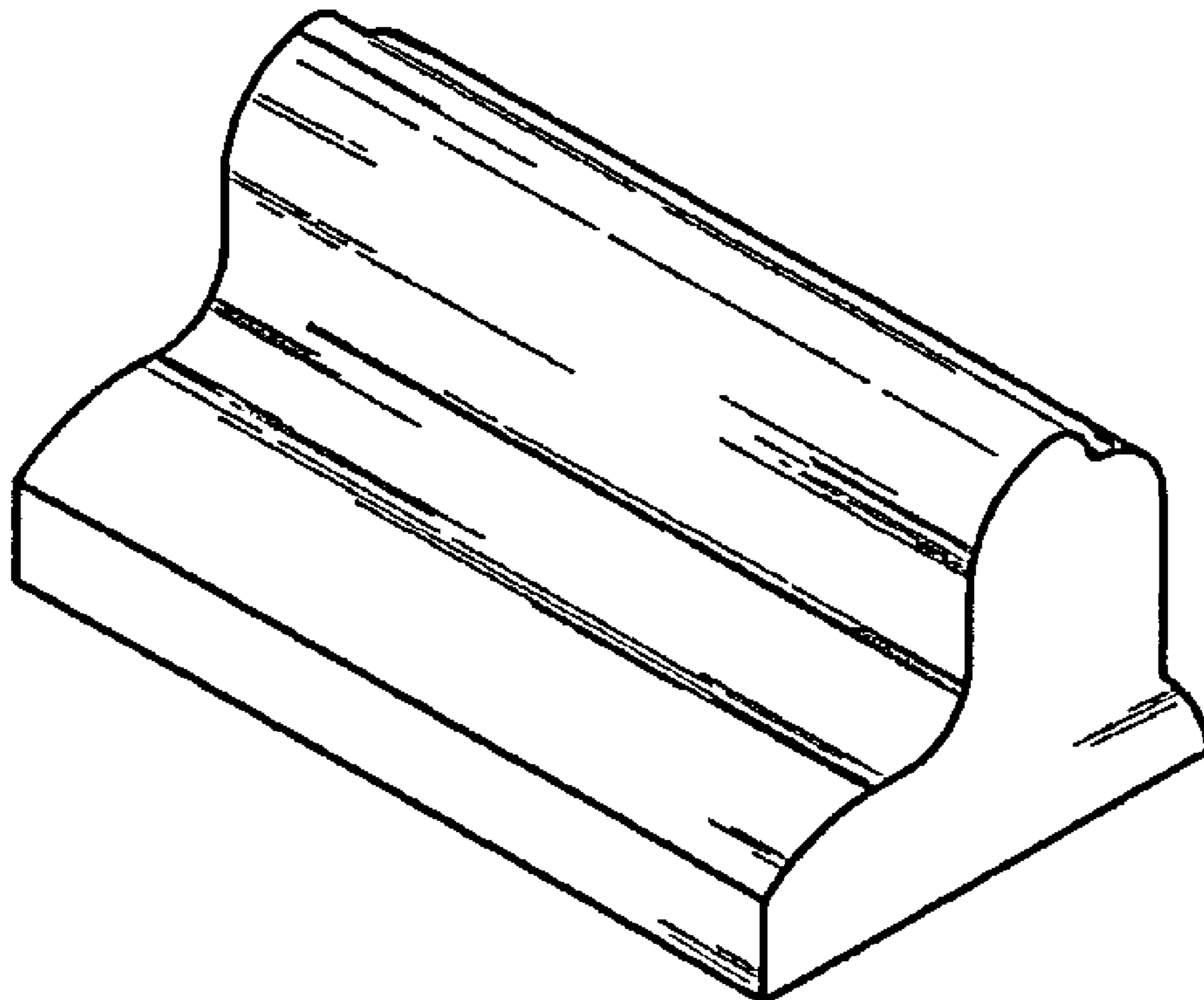
Primary Examiner — Ian Simmons
Assistant Examiner — Charles Hanson

(57) **CLAIM**
We claim the ornamental design for a spinal rehabilitation device, as shown and described.

DESCRIPTION

FIG. 1 is a front perspective view of a spinal rehabilitation device showing our new design;
FIG. 2 is a rear perspective view thereof;
FIG. 3 is a top plan view thereof; and,
FIG. 4 is a left sided plain view thereof.

1 Claim, 1 Drawing Sheet



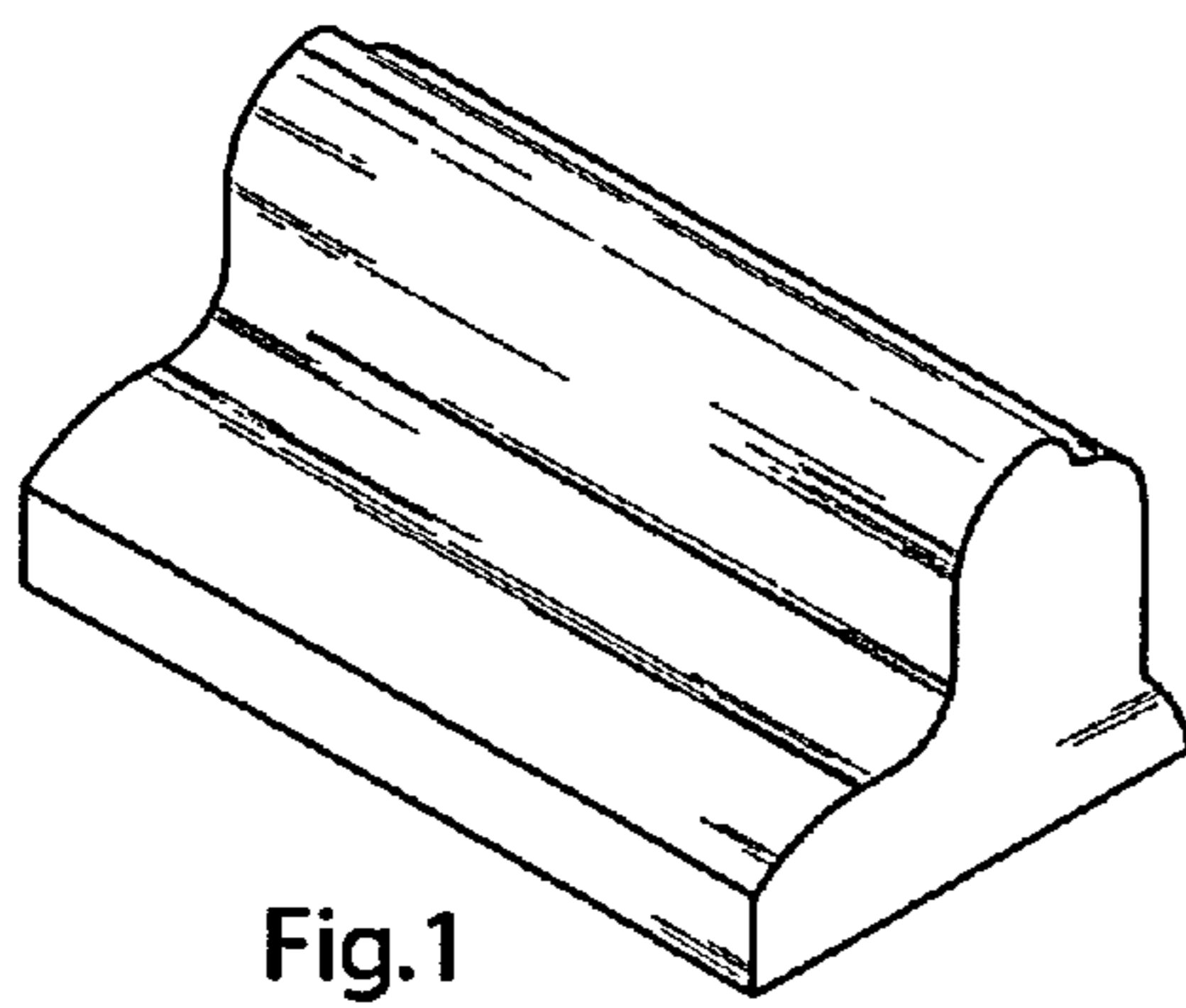


Fig.1

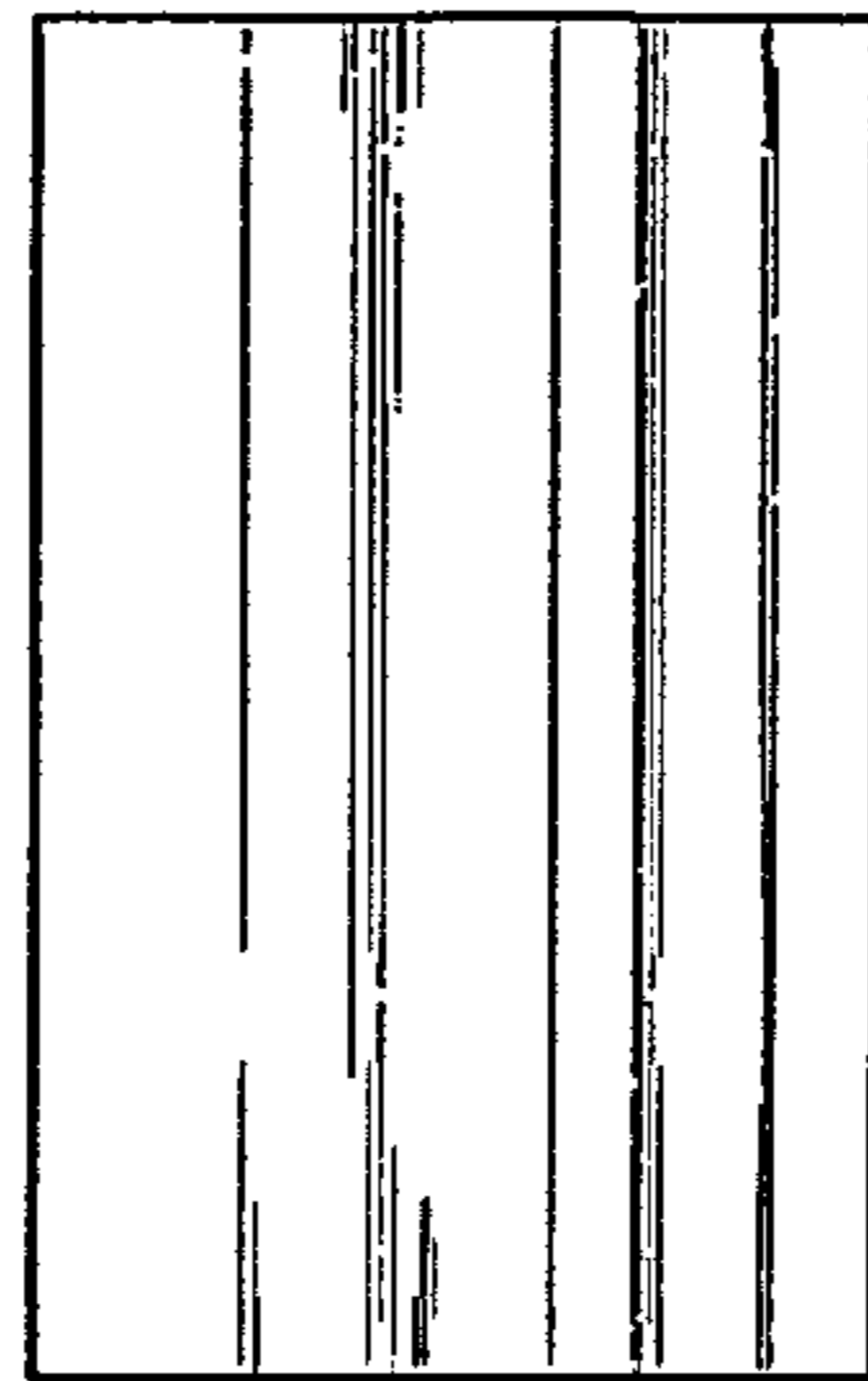


Fig.3

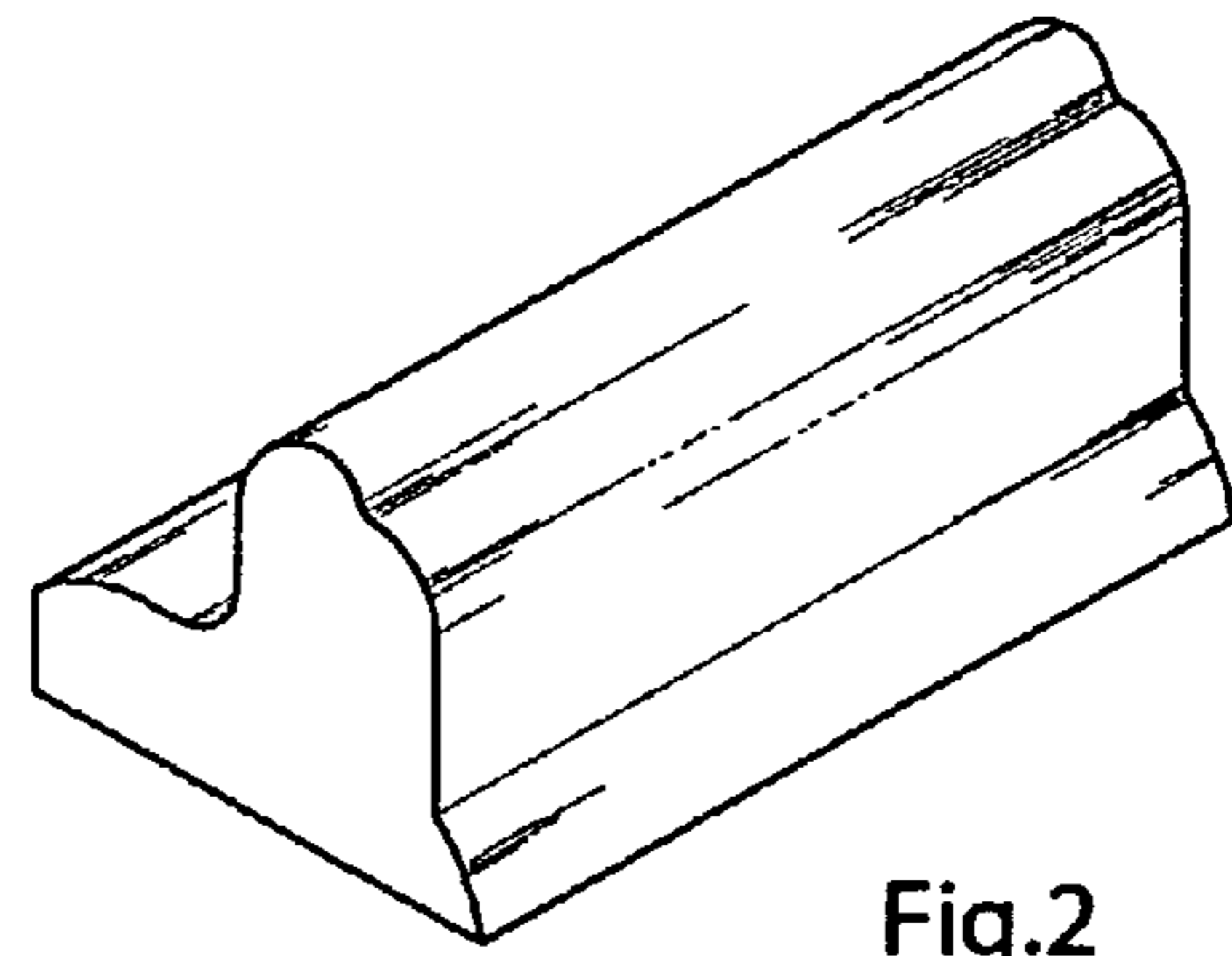


Fig.2

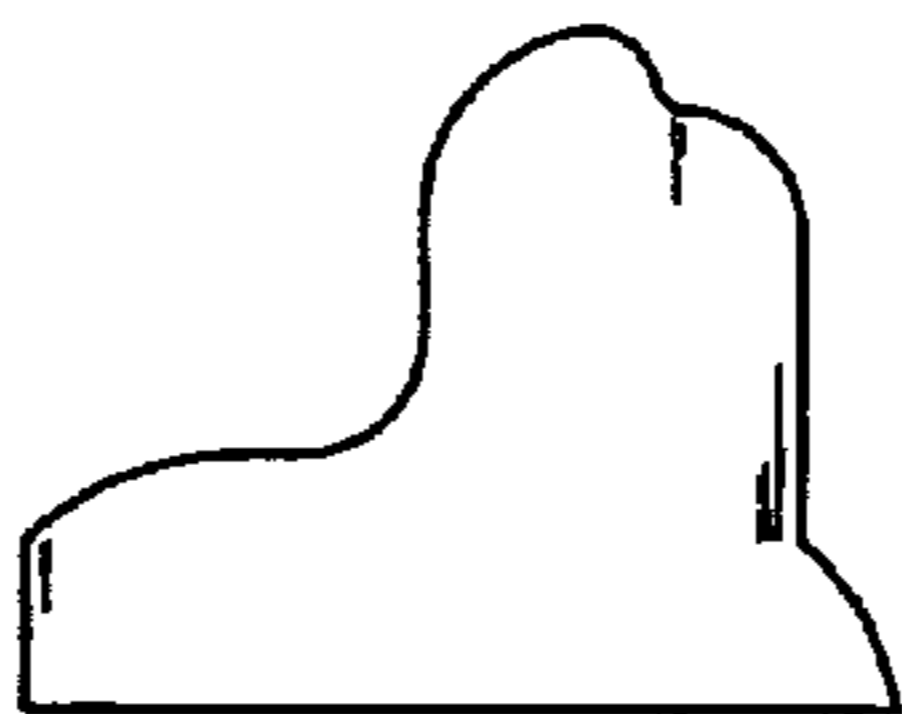


Fig.4