



US00D739027S

(12) **United States Design Patent**
Johnson et al.

(10) **Patent No.:** **US D739,027 S**

(45) **Date of Patent:** **** Sep. 15, 2015**

(54) **CLIP FOR A TOURNIQUET HANDLE**

(71) Applicant: **Tactical Medical Solutions, Inc.,**
Anderson, SC (US)

(72) Inventors: **Ross A. Johnson**, Anderson, SC (US);
Richard A. Hester, Greenville, SC (US)

(73) Assignee: **Tactical Medical Solutions, Inc.,**
Anderson, SC (US)

(**) Term: **14 Years**

(21) Appl. No.: **29/460,987**

(22) Filed: **Jul. 17, 2013**

(51) **LOC (10) Cl.** **24-01**

(52) **U.S. Cl.**
USPC **D24/169**

(58) **Field of Classification Search**
USPC D24/143, 165–169, 186, 189; 606/201,
606/202, 203, 204, 157; 24/486; 602/46;
600/499; 128/DIG. 20; D8/294–396
See application file for complete search history.

(56) **References Cited**

U.S. PATENT DOCUMENTS

D241,314 S * 9/1976 Hug D8/395
D320,858 S * 10/1991 Kida et al. D24/165
D333,006 S * 2/1993 Tam D24/169
5,451,234 A * 9/1995 Wassermann 606/203

D363,016 S * 10/1995 Sippelle et al. D8/395
D381,427 S * 7/1997 Marrero D24/169
D406,051 S * 2/1999 Ross D8/395
D478,738 S * 8/2003 Workman D8/395
D649,642 S * 11/2011 Johnson D24/143
D688,069 S * 8/2013 Henderson et al. D6/606
2001/0039388 A1 * 11/2001 Korotko et al. 600/587
2011/0307004 A1 * 12/2011 Johnson et al. 606/203
2012/0071917 A1 * 3/2012 McDonald et al. 606/203

* cited by examiner

Primary Examiner — Anhdao Doan

(74) *Attorney, Agent, or Firm* — Cahn & Samuels, LLP

(57) **CLAIM**

The ornamental design for a clip for a tourniquet handle, as shown and described.

DESCRIPTION

FIG. 1 is a rear view of the clip for a tourniquet handle according to the present invention.

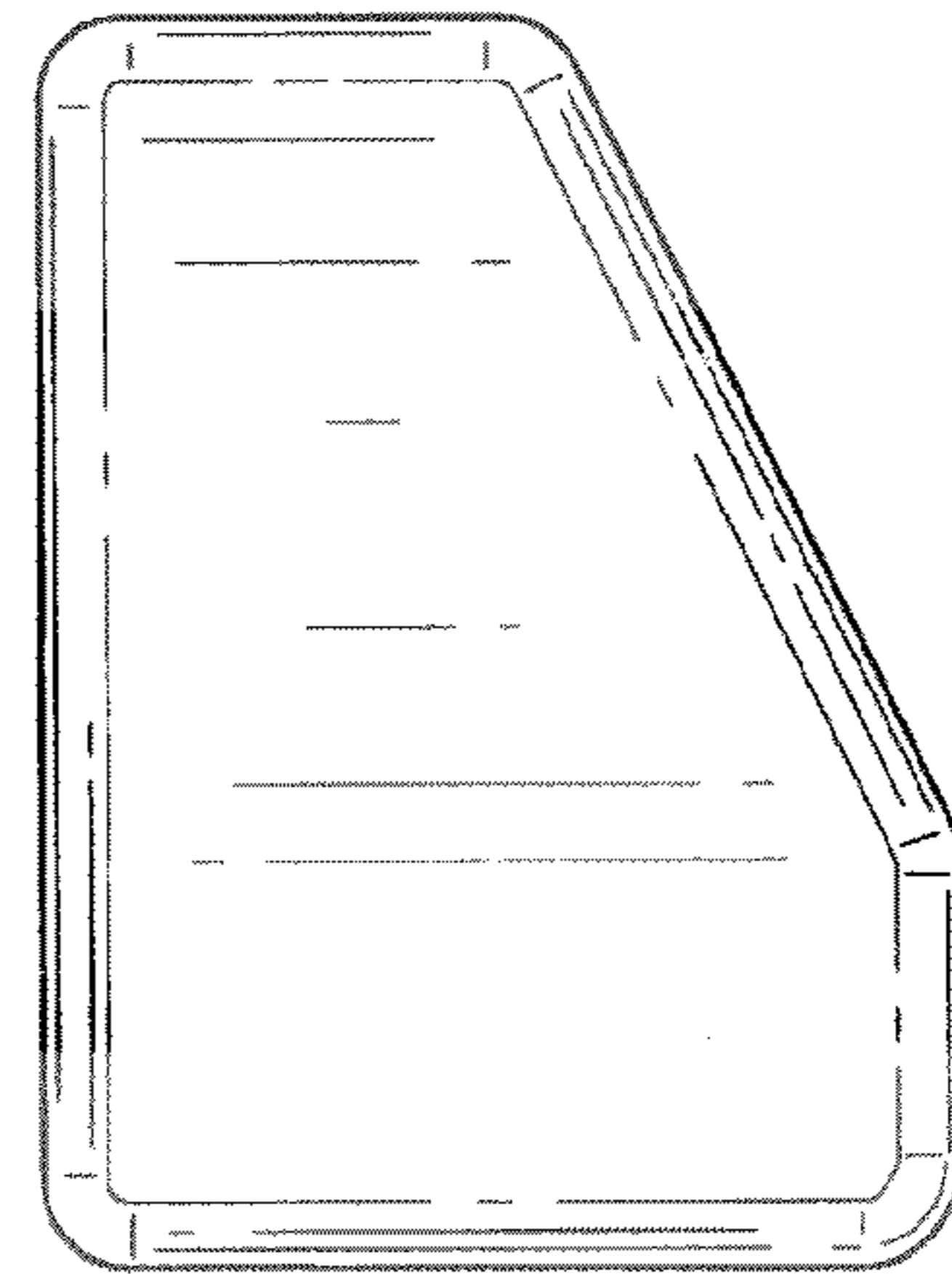
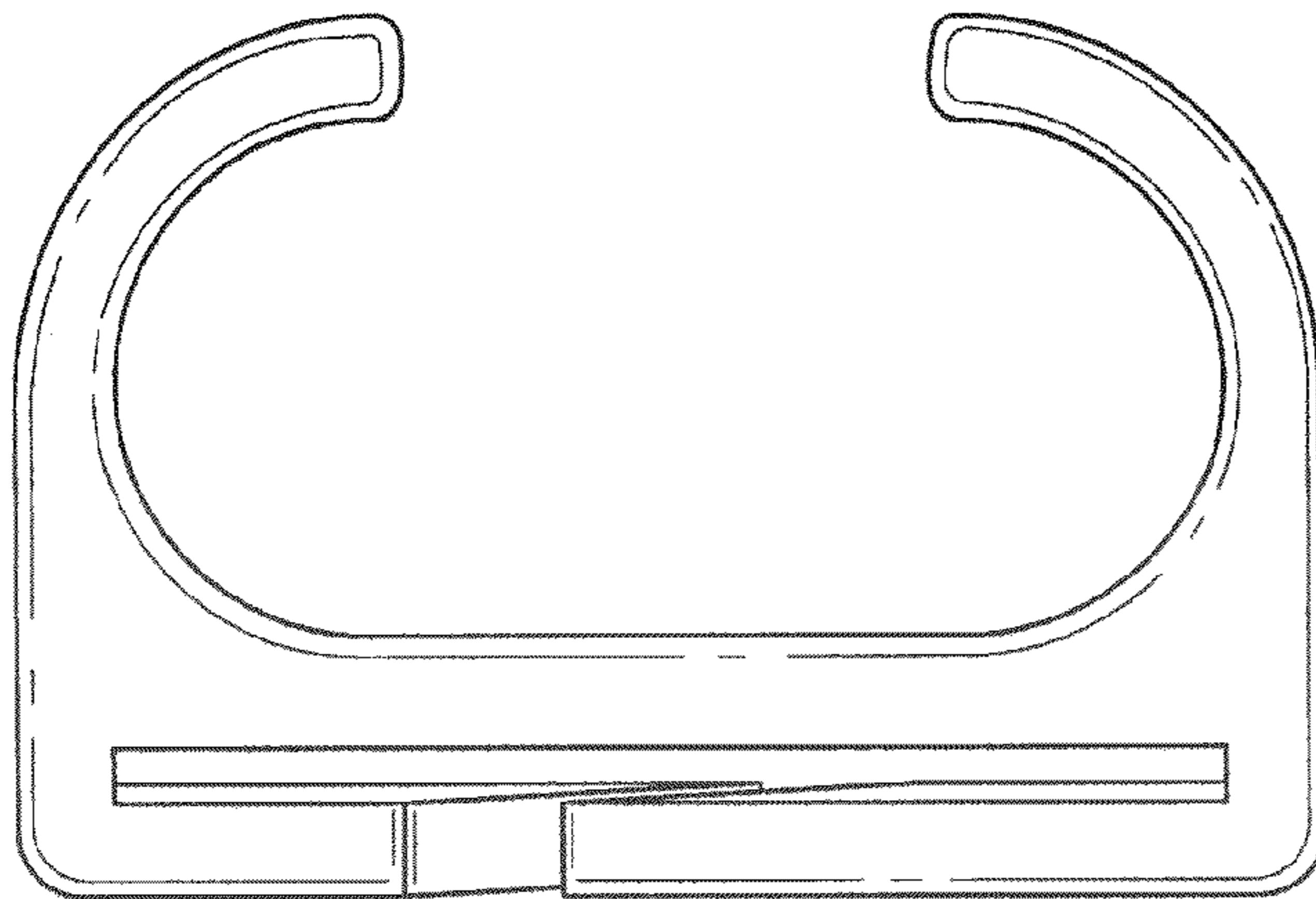
FIG. 2 is a bottom view of the clip for a tourniquet handle according to the present invention.

FIG. 3 is a front view of the clip for a tourniquet handle according to the present invention.

FIG. 4 is a side view of the clip for a tourniquet handle according to the present invention, the other side view being identical; and,

FIG. 5 is a top view of the clip for a tourniquet handle according to the present invention.

1 Claim, 5 Drawing Sheets



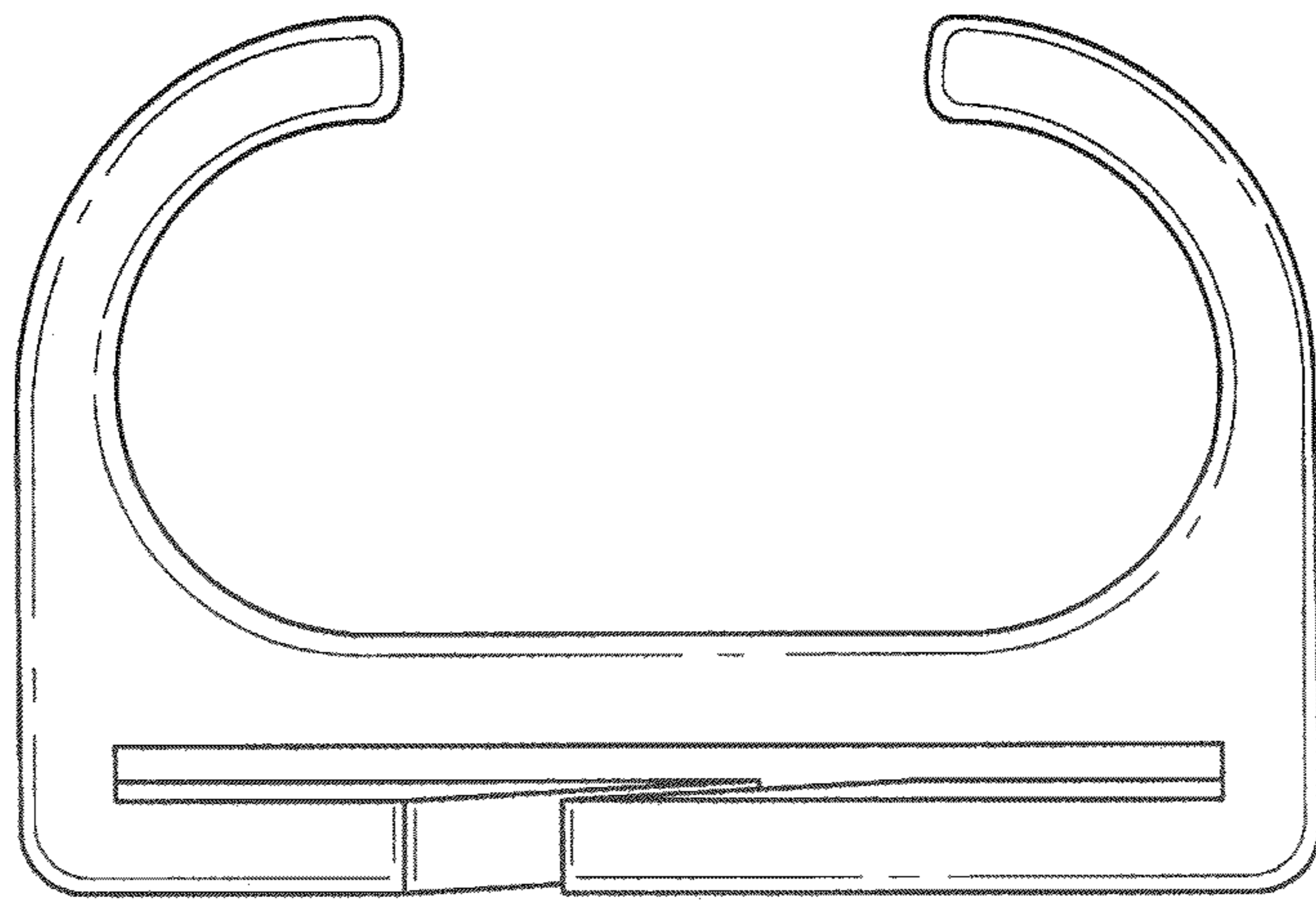


FIG. 1

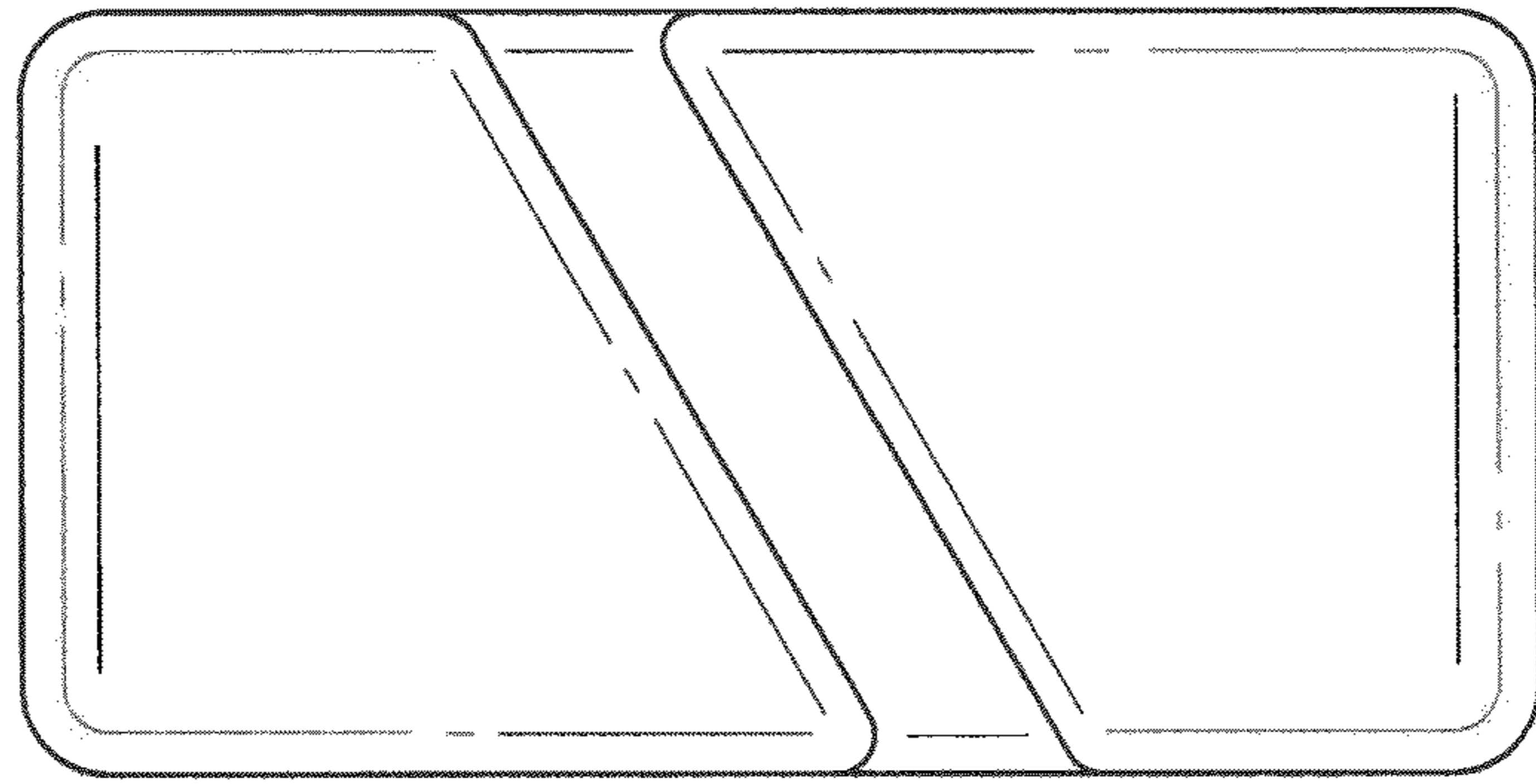


FIG. 2

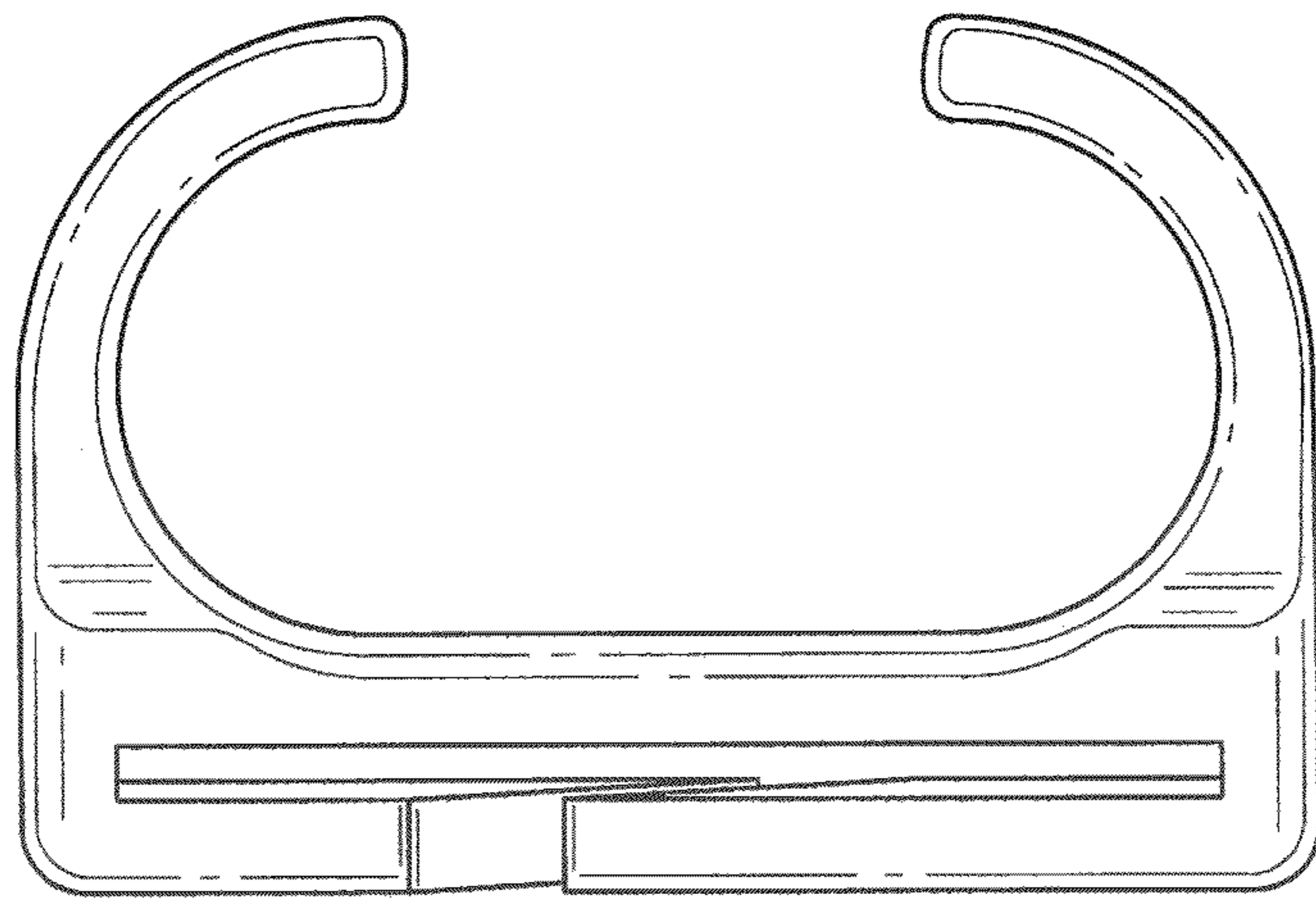


FIG. 3

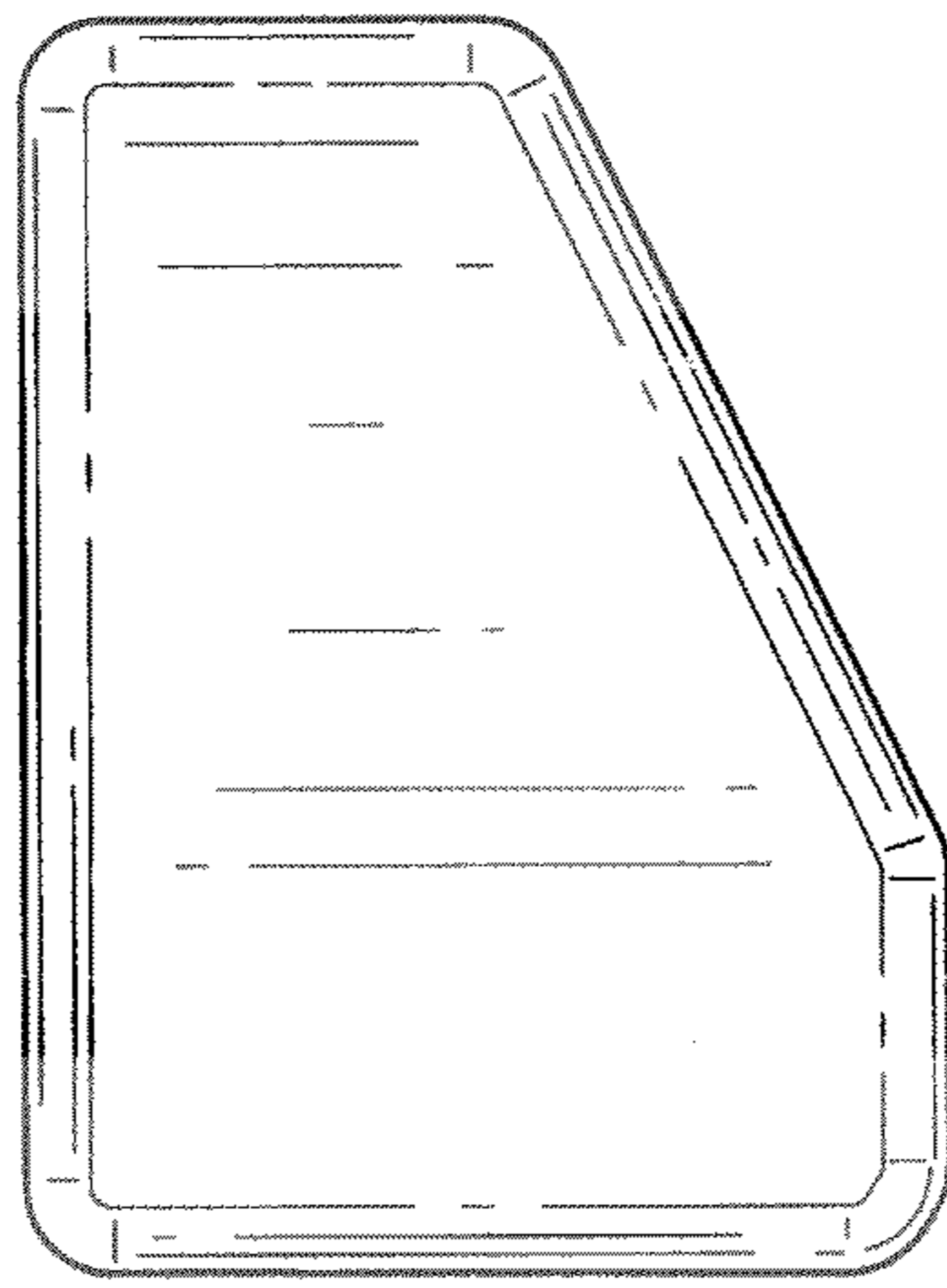


FIG. 4

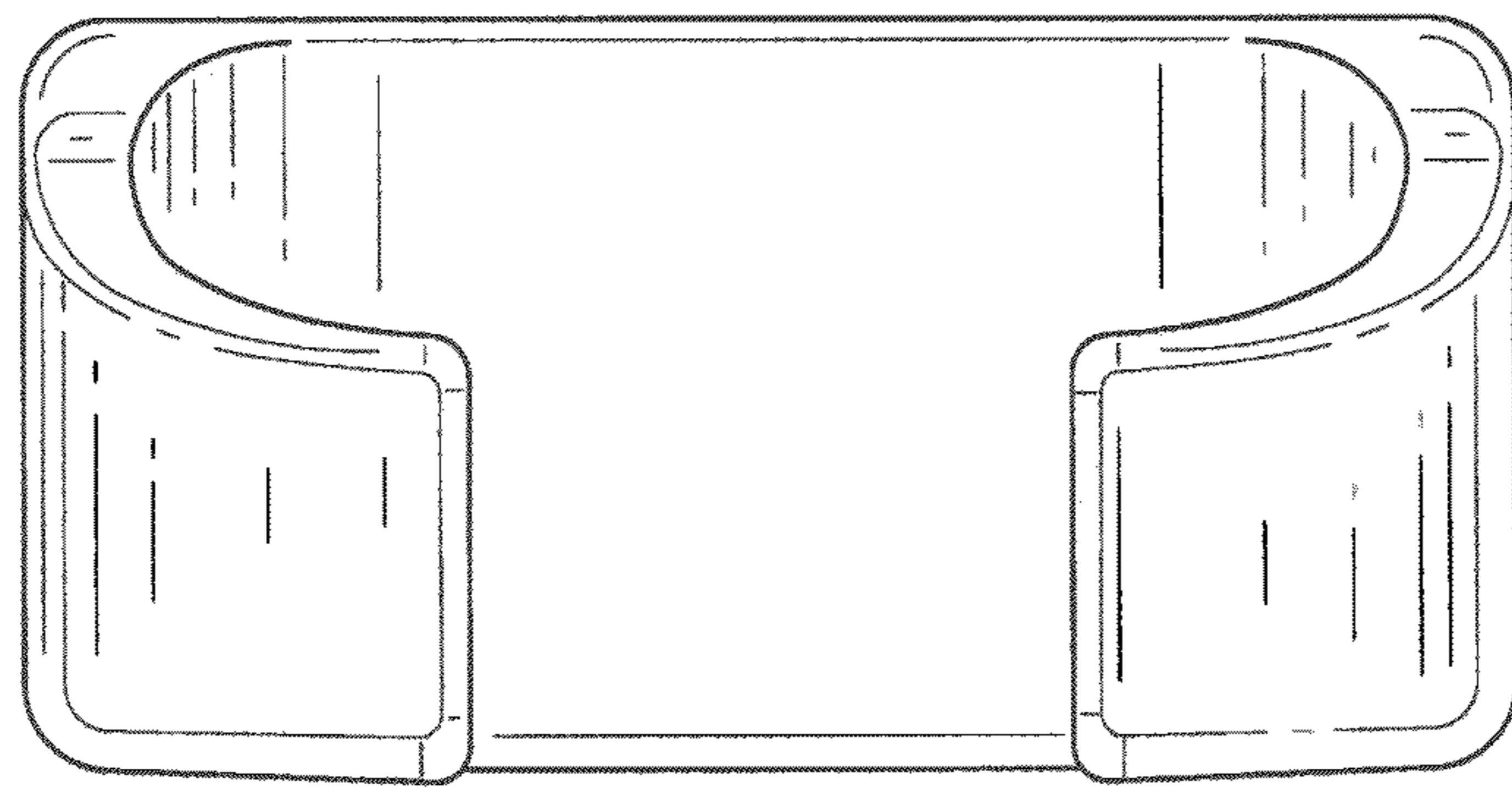


FIG. 5