



US00D739026S

(12) **United States Design Patent**
Anger

(10) **Patent No.:** **US D739,026 S**
(45) **Date of Patent:** **** Sep. 15, 2015**

- (54) **MEDICAL APPARATUS**
- (71) Applicant: **TNI Medical AG**, Würzburg (DE)
- (72) Inventor: **Ewald Anger**, Elbelstadt (DE)
- (73) Assignee: **TNI MEDICAL AG**, Würzburg (DE)
- (**) Term: **14 Years**
- (21) Appl. No.: **29/490,007**
- (22) Filed: **May 6, 2014**
- (51) **LOC (10) Cl.** **24-00**
- (52) **U.S. Cl.**
USPC **D24/164**
- (58) **Field of Classification Search**
USPC D24/164, 110, 110.5, 127, 110.6, 162,
D24/110.1; 128/201.13, 200.14, 200.23;
D23/356
CPC A61M 16/1045; A61M 15/009
See application file for complete search history.

- D658,755 S * 5/2012 Lithgow D24/110
- D659,235 S * 5/2012 Bertinetti et al. D24/110
- D663,412 S * 7/2012 Virr et al. D24/110
- D679,374 S * 4/2013 Virr et al. D24/110
- D692,555 S * 10/2013 Maksym et al. D24/110.5
- D693,004 S * 11/2013 Larsen et al. D24/164
- D702,354 S * 4/2014 Larsen et al. D24/164
- D708,316 S * 7/2014 Bertinetti et al. D24/110
- D708,733 S * 7/2014 Ng et al. D24/110
- D709,186 S * 7/2014 Boaz et al. D24/127
- D710,989 S * 8/2014 Bertinetti et al. D24/110
- D724,198 S * 3/2015 Oostman et al. D24/110.6

* cited by examiner

Primary Examiner — Holly Baynham
Assistant Examiner — Rhea Shields

(74) *Attorney, Agent, or Firm* — Quarles & Brady LLP

(57) **CLAIM**
The ornamental design for a medical apparatus, as shown and described.

DESCRIPTION

FIG. 1 is a top, right side perspective view of medical apparatus embodying my new design;
FIG. 2 is a bottom, left side perspective view thereof;
FIG. 3 is a top plan view thereof;
FIG. 4 is a bottom plan view thereof.
FIG. 5 is a right elevational view thereof;
FIG. 6 is a left elevational view thereof;
FIG. 7 is a front elevational view thereof; and,
FIG. 8 is a rear elevational view thereof.
In a preferred embodiment, the nature of this product is a part of a respiratory blower that includes a head with a downwardly extending tube.

1 Claim, 4 Drawing Sheets

- (56) **References Cited**
U.S. PATENT DOCUMENTS
- D535,750 S * 1/2007 Clawson D24/162
- D539,418 S * 3/2007 Jones et al. D24/110.1
- D540,464 S * 4/2007 Guney et al. D24/110.6
- D540,941 S * 4/2007 Kwok et al. D24/110.1
- D561,890 S * 2/2008 Lithgow et al. D24/110
- 7,347,203 B2 * 3/2008 Marler et al. 128/201.13
- D566,279 S * 4/2008 Patzer D24/158
- D581,041 S * 11/2008 Moore et al. D24/110.1
- D585,131 S * 1/2009 Trevor-Wilson et al. D24/110
- D635,654 S * 4/2011 Virr et al. D23/356
- D643,114 S * 8/2011 Virr et al. D24/110

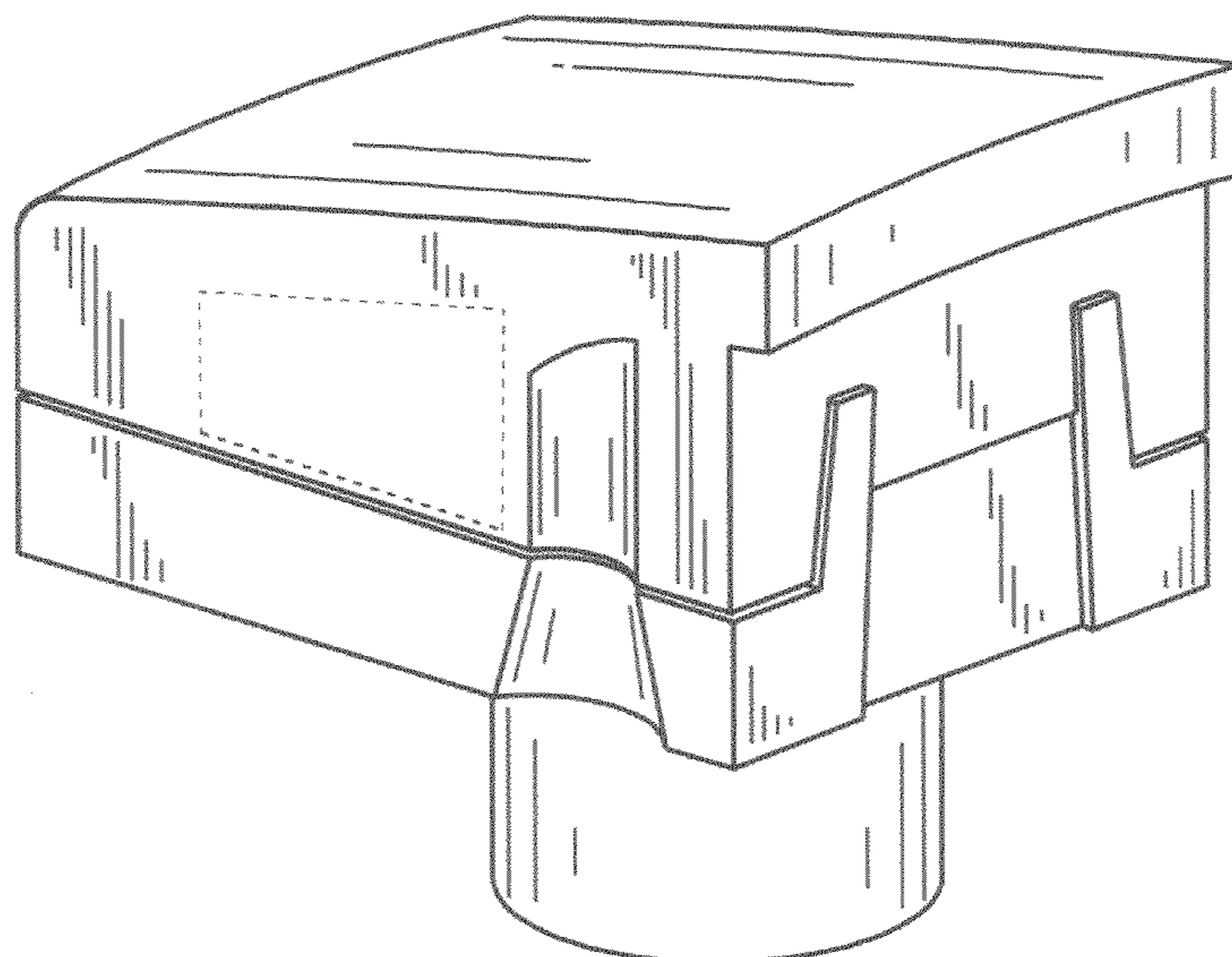


FIG. 1

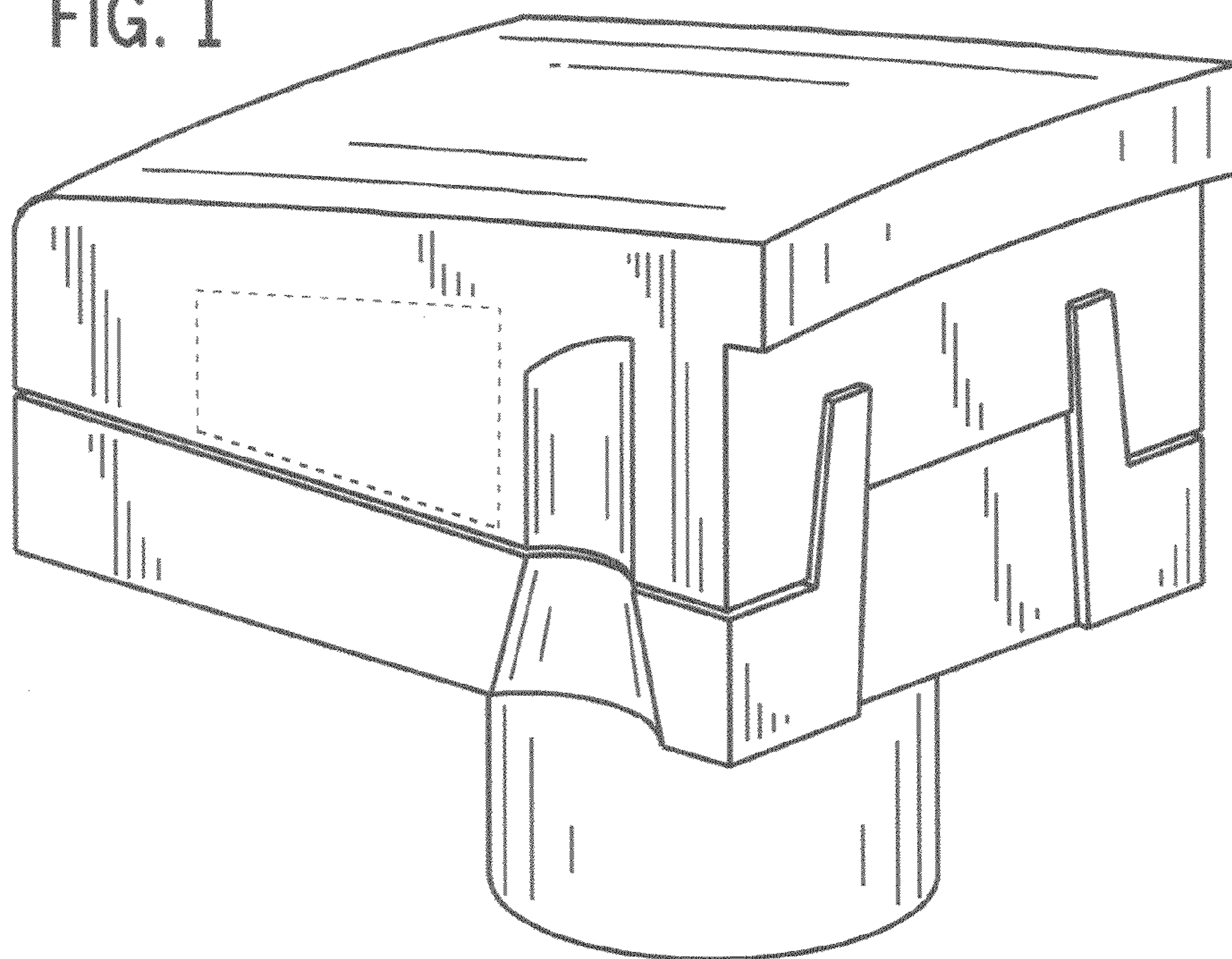


FIG. 2

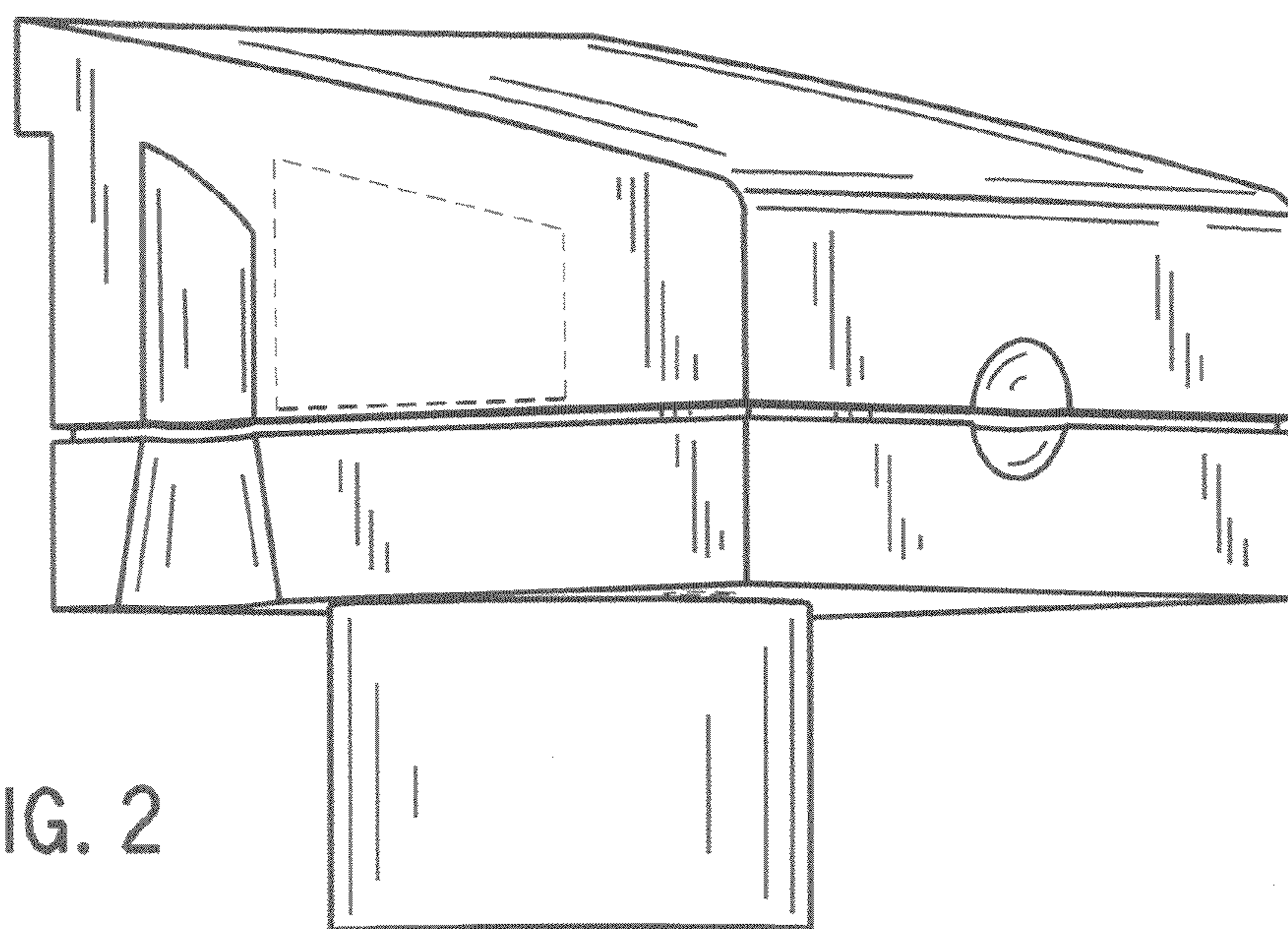


FIG. 3

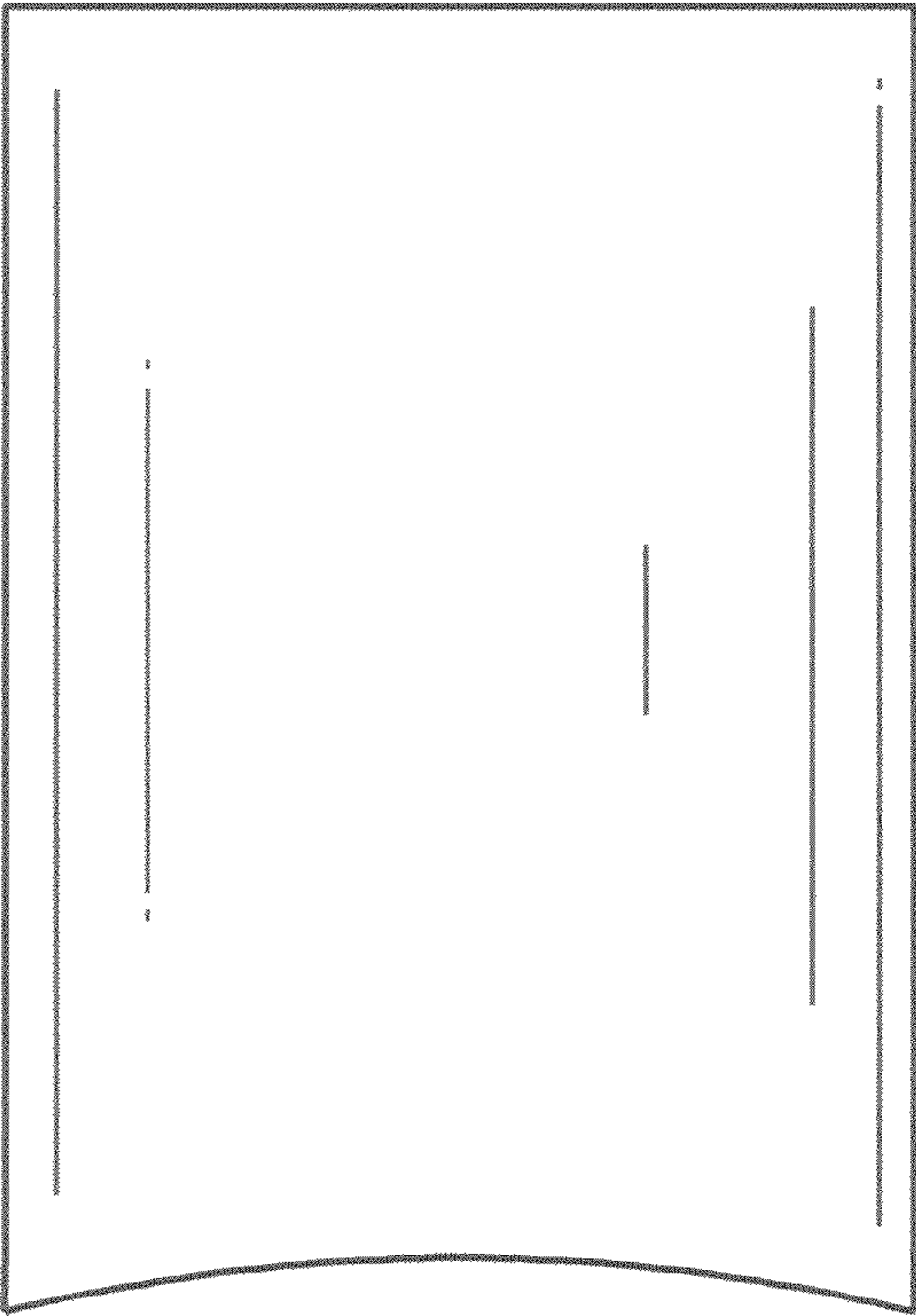


FIG. 4

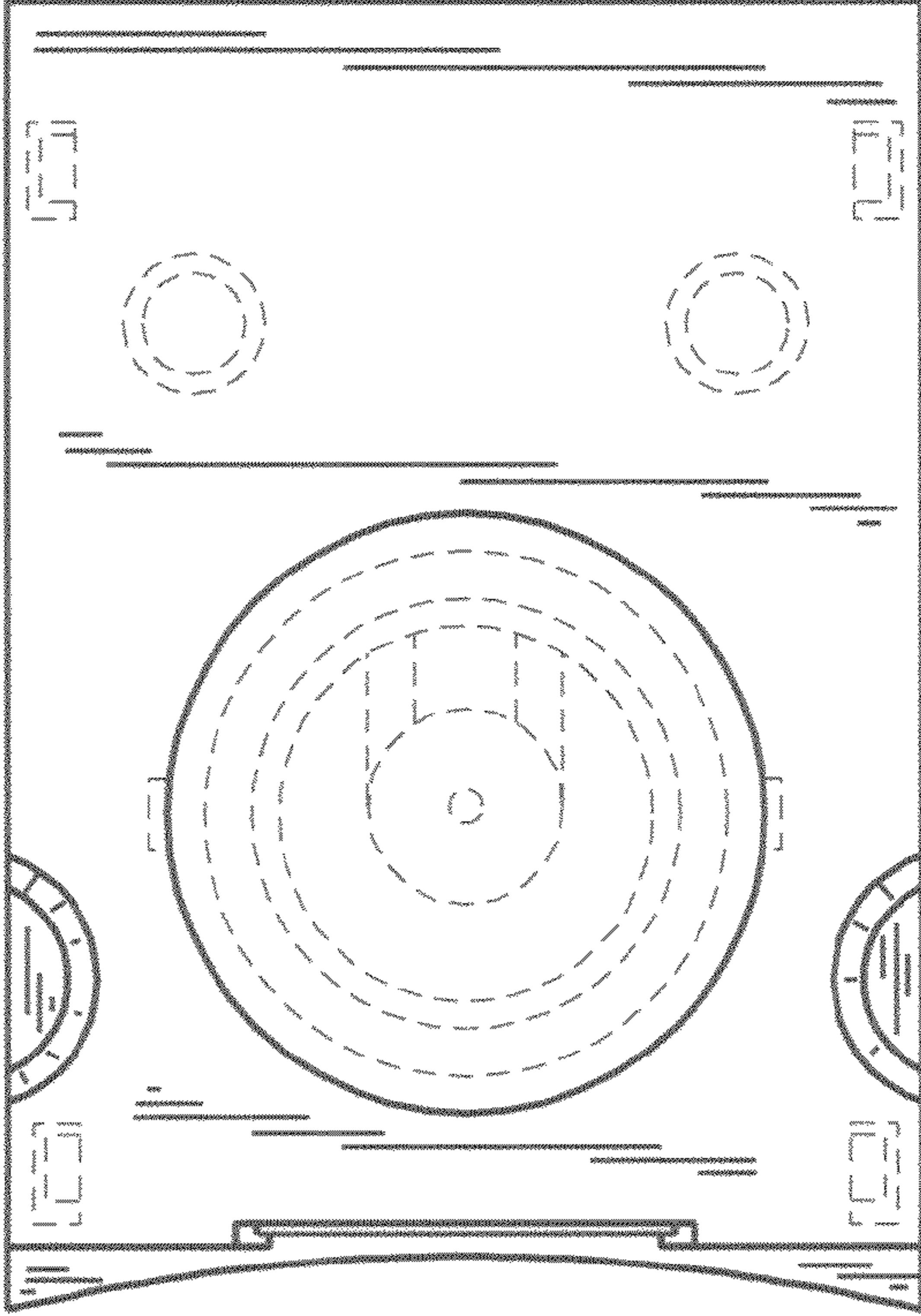


FIG. 5

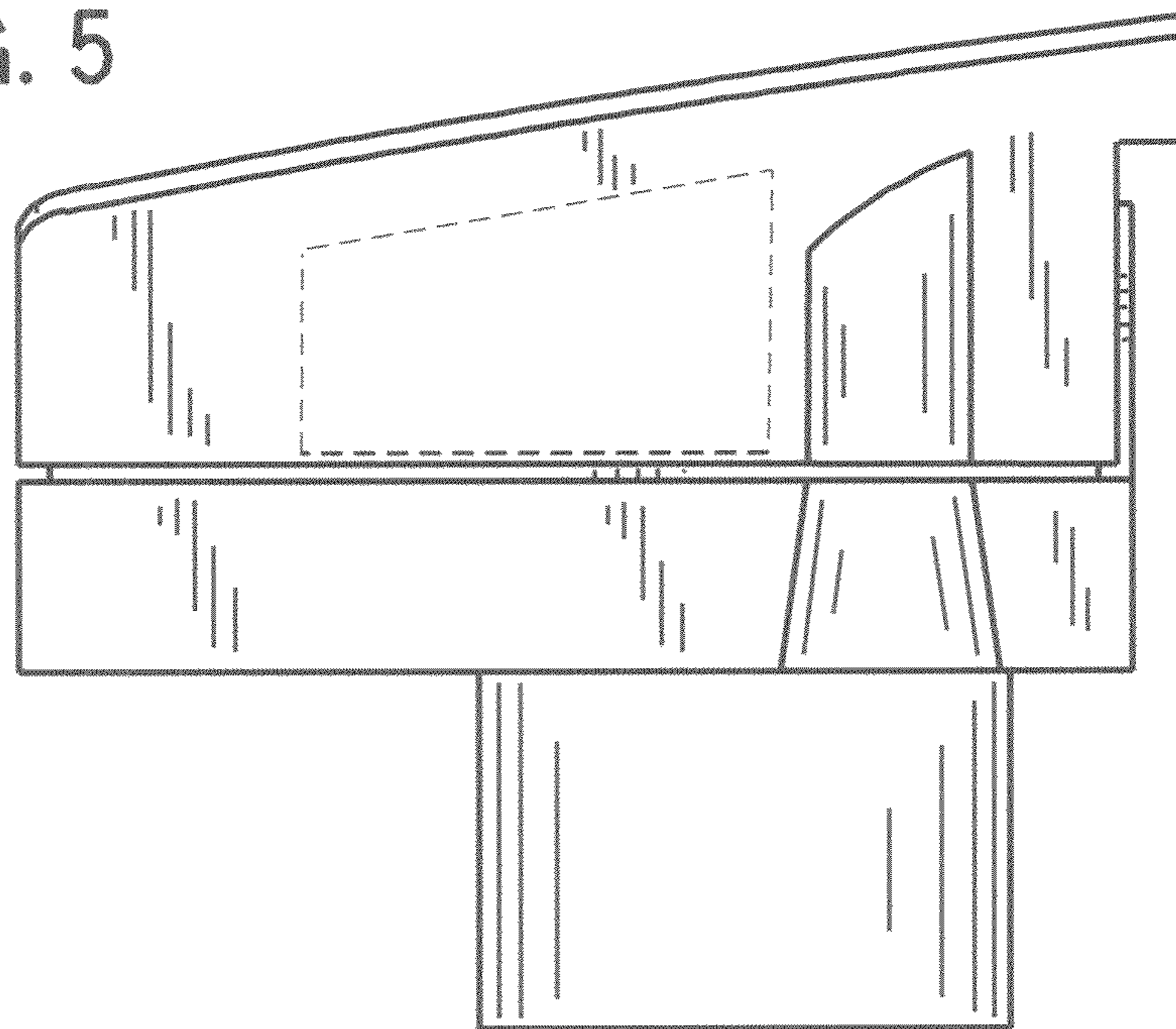


FIG. 6

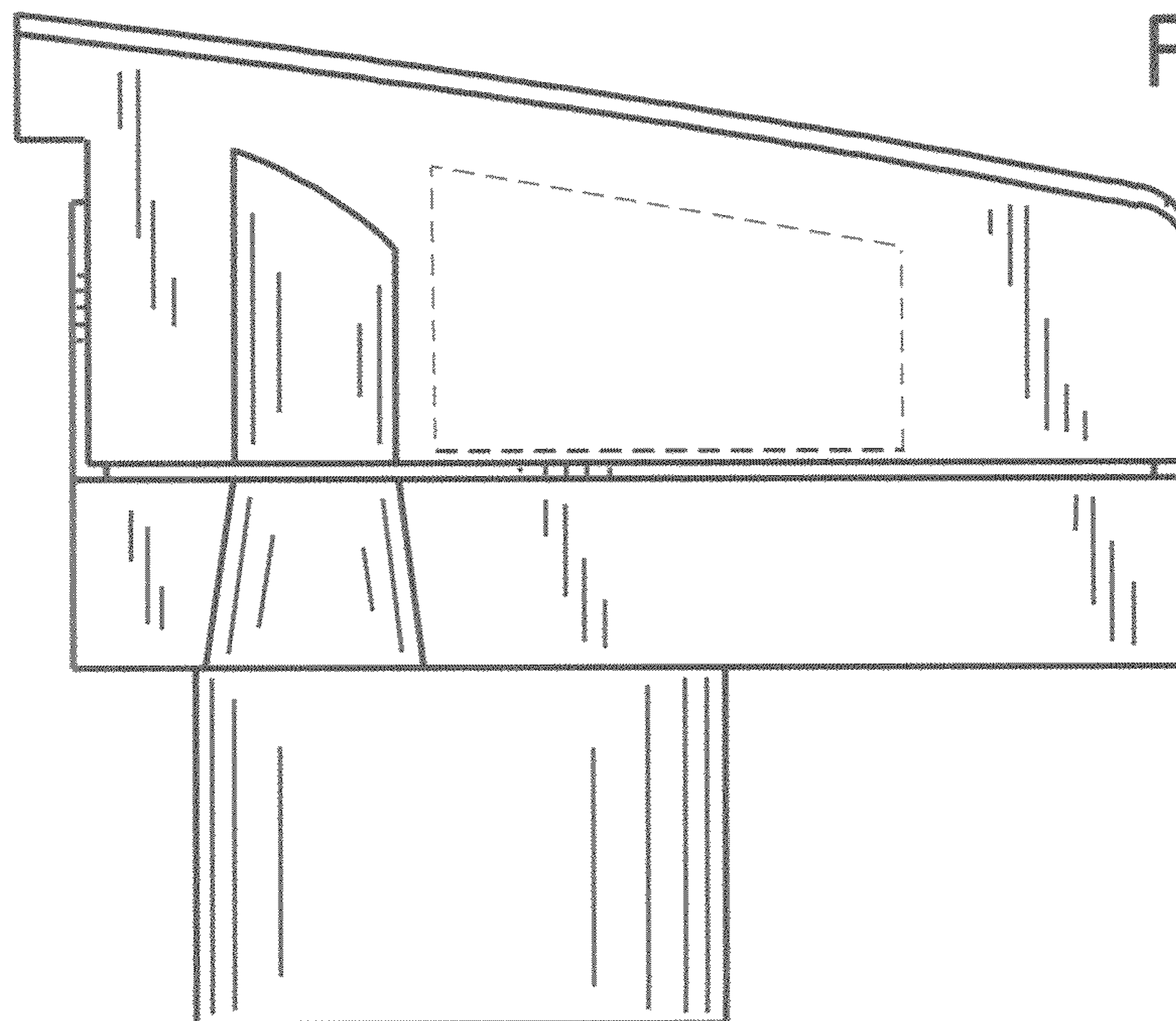


FIG. 7

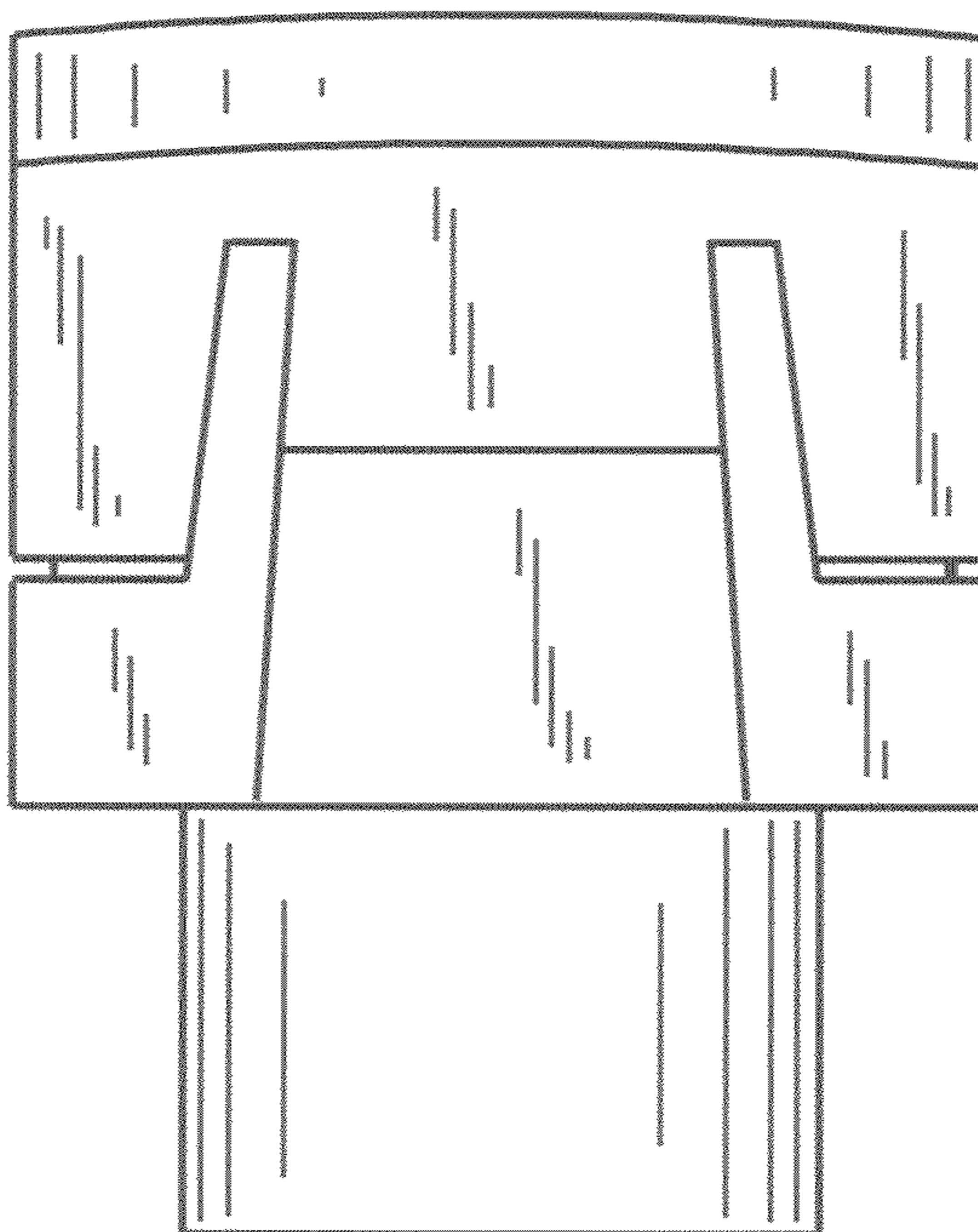


FIG. 8

