



US00D739025S

(12) **United States Design Patent**
Blomquist et al.

(10) **Patent No.:** **US D739,025 S**
(45) **Date of Patent:** **** Sep. 15, 2015**

- (54) **VENTILATOR HANDLE**
- (71) Applicants: **Karin Blomquist**, Sollentuna (SE);
Anna Carell, Bromma (SE); **Aydin Mert**, Orebro (SE)
- (72) Inventors: **Karin Blomquist**, Sollentuna (SE);
Anna Carell, Bromma (SE); **Aydin Mert**, Orebro (SE)
- (73) Assignee: **Maquet Critical Care AB**, Solna (SE)
- (**) Term: **14 Years**
- (21) Appl. No.: **29/473,855**
- (22) Filed: **Nov. 26, 2013**

- D423,671 S * 4/2000 Garito et al. D24/185
- D447,567 S 9/2001 Murphy et al.
- D459,477 S 6/2002 Stocks et al.
- D462,496 S * 9/2002 Koppes et al. D34/27
- D467,001 S 12/2002 Buczek et al.
- D468,420 S 1/2003 Bolmsjo
- 6,626,445 B2 9/2003 Murphy et al.
- 6,669,639 B1 12/2003 Miller et al.
- D486,915 S 2/2004 Warschewske et al.
- D489,181 S * 5/2004 Moon D3/318
- D493,977 S 8/2004 Rossini et al.
- D500,575 S 1/2005 Lucas
- D512,508 S * 12/2005 Mesaros D24/185
- D518,267 S 3/2006 Arceta
- D528,856 S * 9/2006 Pascal D7/394
- D532,953 S 11/2006 Lauer et al.
- D539,794 S 4/2007 Rossini et al.
- D544,962 S 6/2007 Diener et al.

(Continued)

Related U.S. Application Data

- (62) Division of application No. 29/462,690, filed on Aug. 7, 2013, now Pat. No. Des. 702,840.

Foreign Application Priority Data

- Feb. 7, 2013 (EP) 002180356
- (51) **LOC (10) Cl.** **24-00**
- (52) **U.S. Cl.**
USPC **D24/164**
- (58) **Field of Classification Search**
USPC D24/164, 107, 110, 186, 185, 231, 234,
D24/177, 183, 174; 16/444, 436, 431, 430,
16/429, 110.1; D12/111, 178; 74/551.9,
74/543, 551.4, 557; D34/27; D3/318;
D7/394
See application file for complete search history.

References Cited

U.S. PATENT DOCUMENTS

- 4,073,036 A * 2/1978 Bustin 16/110.1
- D335,374 S 5/1993 Schulze et al.
- D338,272 S 8/1993 Cunagin et al.
- D422,695 S 4/2000 van Engelen et al.

FOREIGN PATENT DOCUMENTS

RU 77007 12/2010

Primary Examiner — Holly Baynham

Assistant Examiner — Rhea Shields

(74) *Attorney, Agent, or Firm* — Schiff Hardin LLP

CLAIM

The ornamental design for a ventilator handle, as shown and described.

DESCRIPTION

FIG. 1 is a perspective view of a ventilator handle from a direction between right side and a back view of the ventilator handle;

FIG. 2 is a right side elevation view thereof;

FIG. 3 is a left side elevation view thereof;

FIG. 4 is a front elevation view thereof;

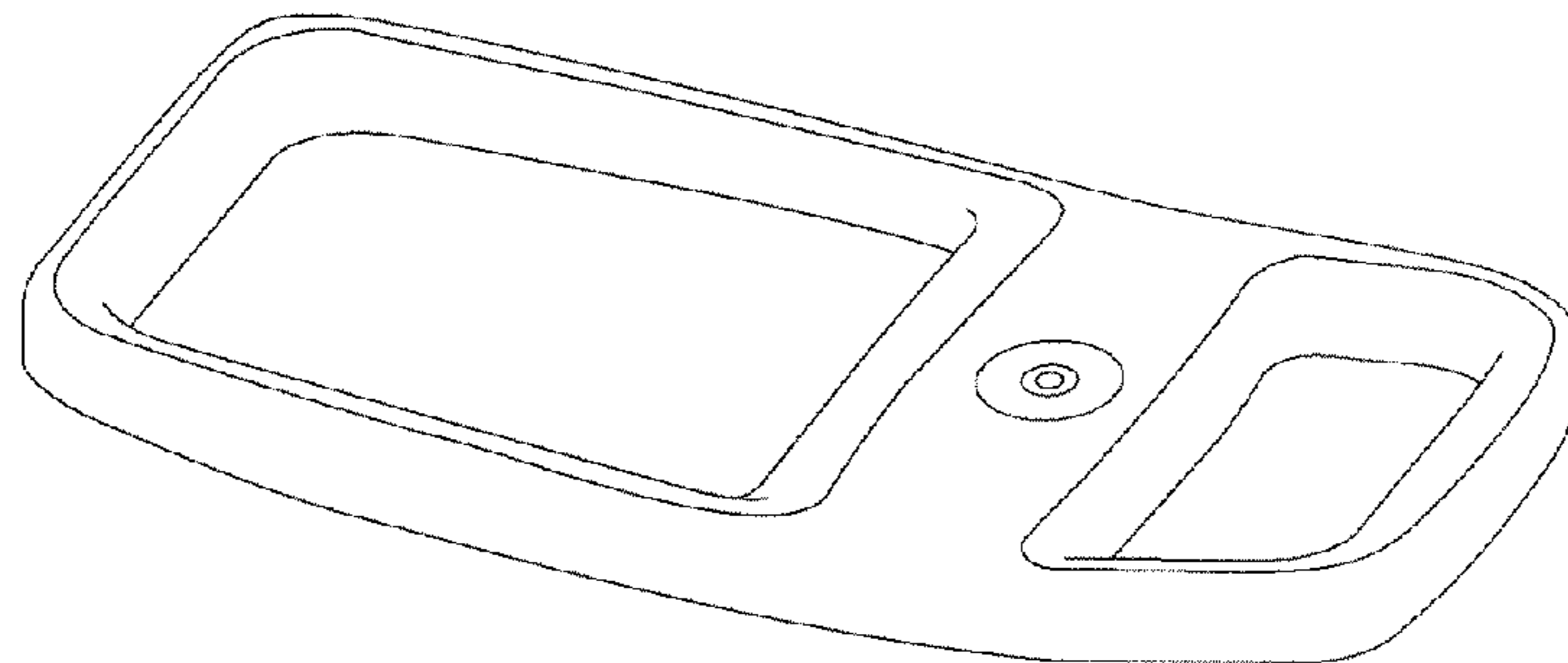
FIG. 5 is a back elevation view thereof;

FIG. 6 is a top plan view thereof; and,

FIG. 7 is a bottom plan view thereof.

In the drawings, the broken lines depict unclaimed subject matter only and form no part of the claimed design.

1 Claim, 2 Drawing Sheets



(56)

References Cited

U.S. PATENT DOCUMENTS

D555,792 S	11/2007	Haymann et al.	D629,523 S	12/2010	Porter et al.
D559,390 S	1/2008	Diener et al.	D631,551 S	1/2011	Nordgren et al.
D568,258 S	5/2008	Adam	D632,796 S *	2/2011	Ross et al. D24/185
D594,622 S	6/2009	Kissun	D632,797 S *	2/2011	Ross et al. D24/185
D600,873 S	9/2009	Banasik et al.	D634,429 S	3/2011	Nordgren et al.
7,594,468 B2	9/2009	Kania et al.	D643,535 S *	8/2011	Ross et al. D24/164
7,594,668 B2	9/2009	Arceta et al.	D648,855 S	11/2011	Smith et al.
D606,202 S *	12/2009	Banryu D24/185	D652,936 S *	1/2012	Ross et al. D24/185
D613,866 S	4/2010	Tanaka et al.	D655,013 S	2/2012	Sabaris Vilas
D613,867 S	4/2010	Tanaka et al.	D657,470 S	4/2012	Schon et al.
D626,235 S	10/2010	Smith et al.	D663,576 S *	7/2012	McEldowney D7/394
D626,237 S	10/2010	Nordgren et al.	D687,260 S *	8/2013	Rae D7/394
D627,474 S	11/2010	Nordgren et al.	D702,840 S *	4/2014	Blomquist et al. D24/164
D628,142 S	11/2010	Farber	2007/0228680 A1	10/2007	Reppert et al.
D628,701 S	12/2010	Nordgren et al.	2009/0015116 A1	1/2009	Arceta et al.
			2010/0148458 A1	6/2010	Ross et al.
			2014/0053371 A1 *	2/2014	Feinstein 16/430

* cited by examiner

FIG. 1

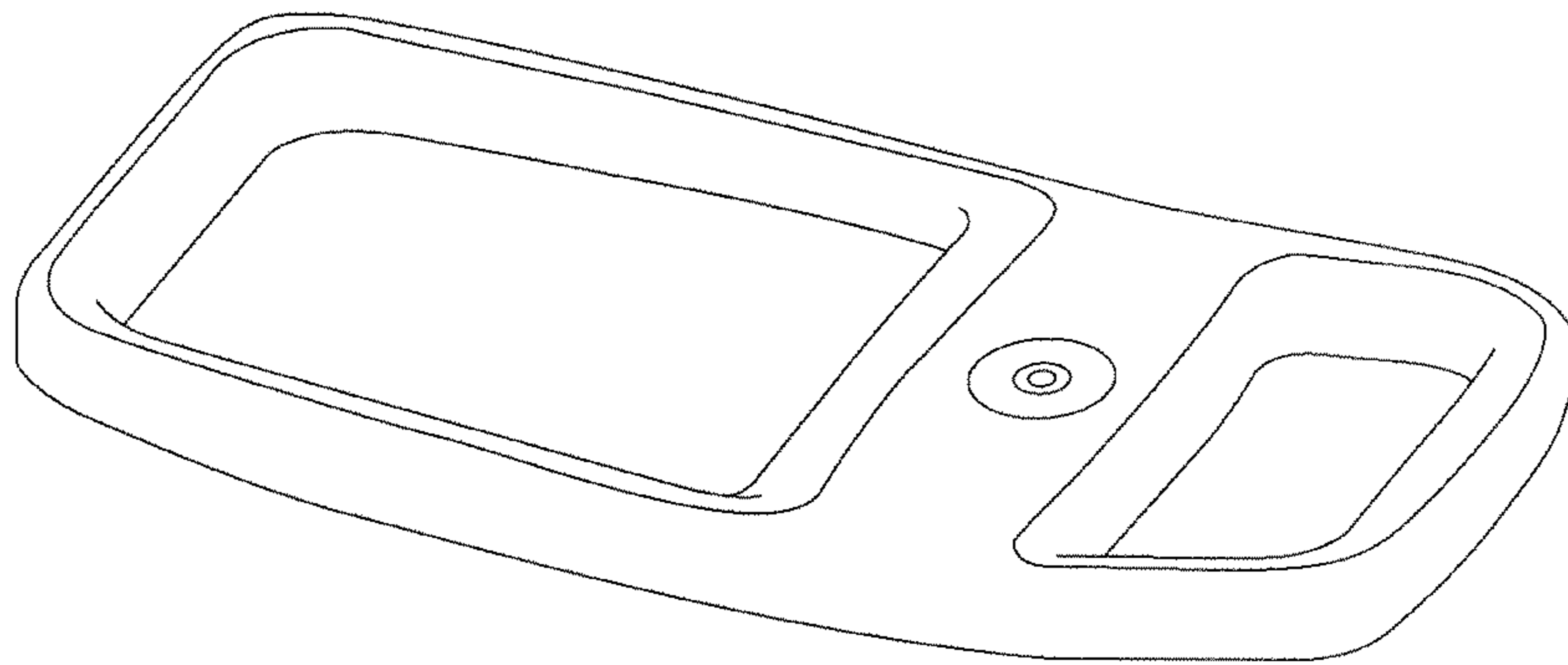


FIG. 2

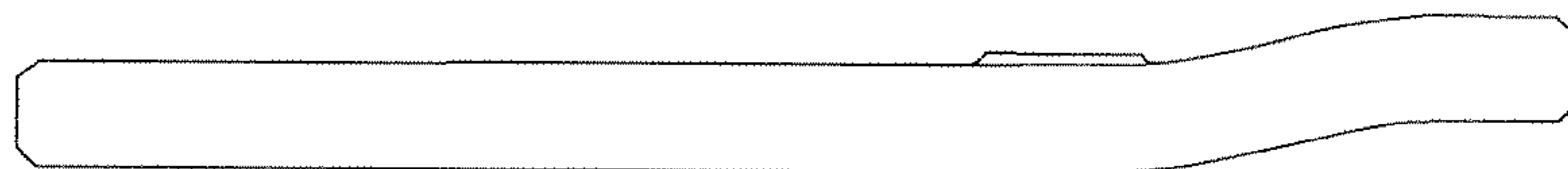


FIG. 3



FIG. 4

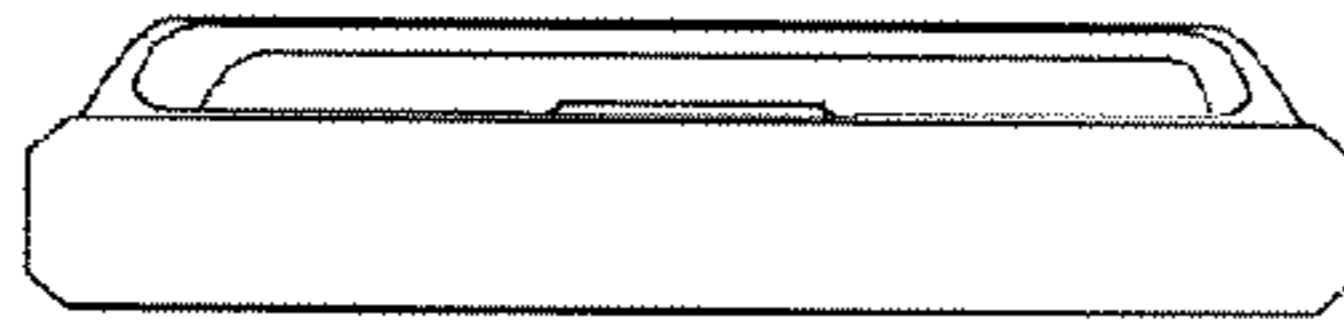


FIG. 5

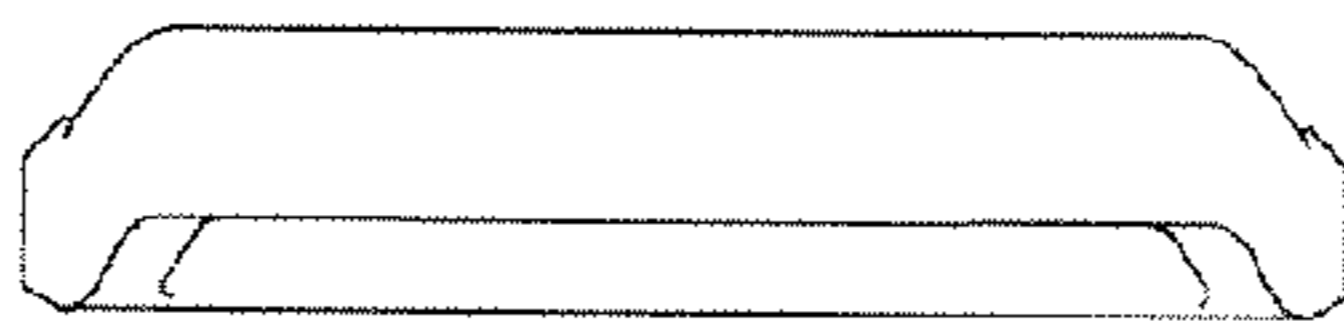


FIG. 6

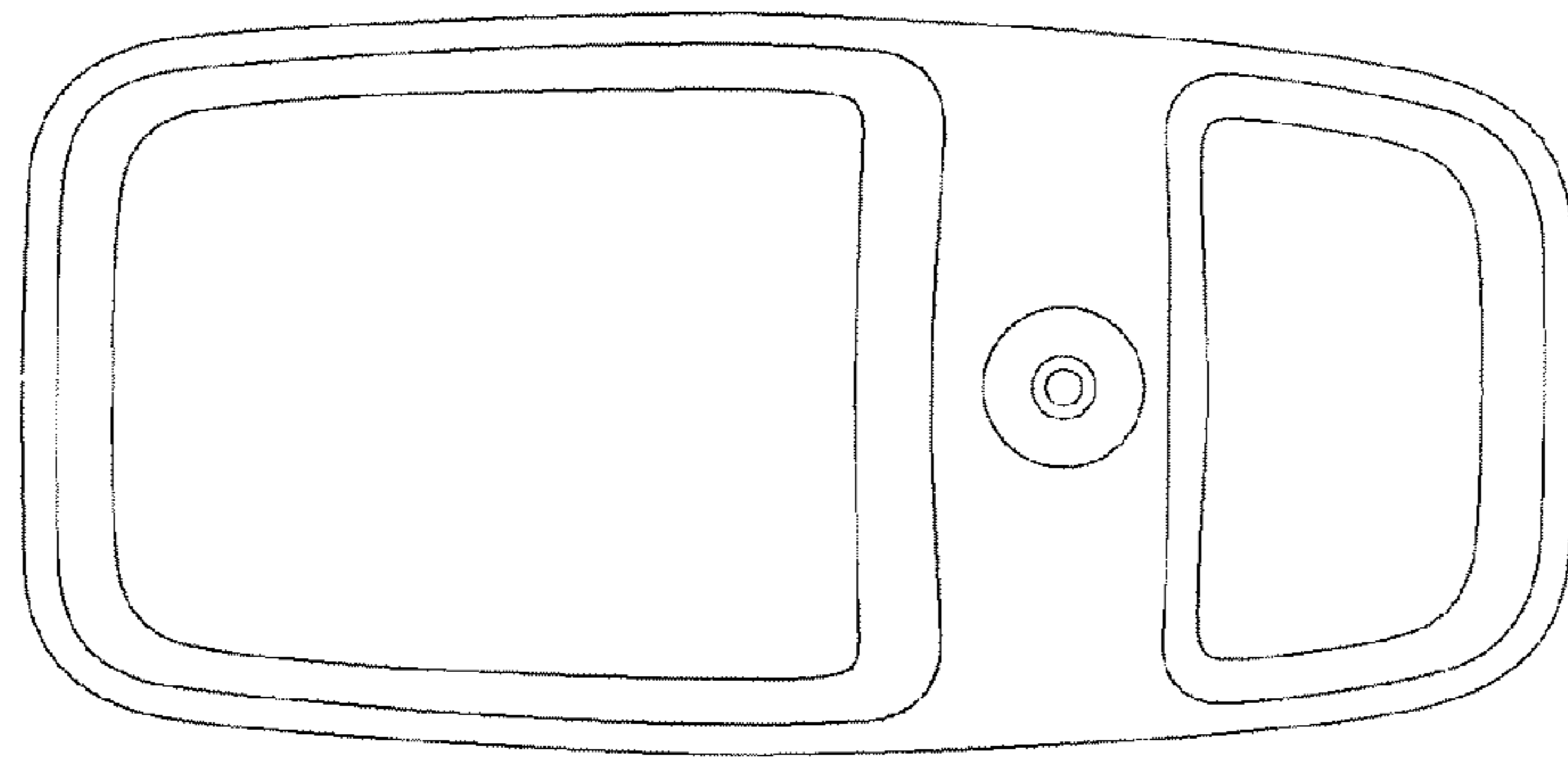
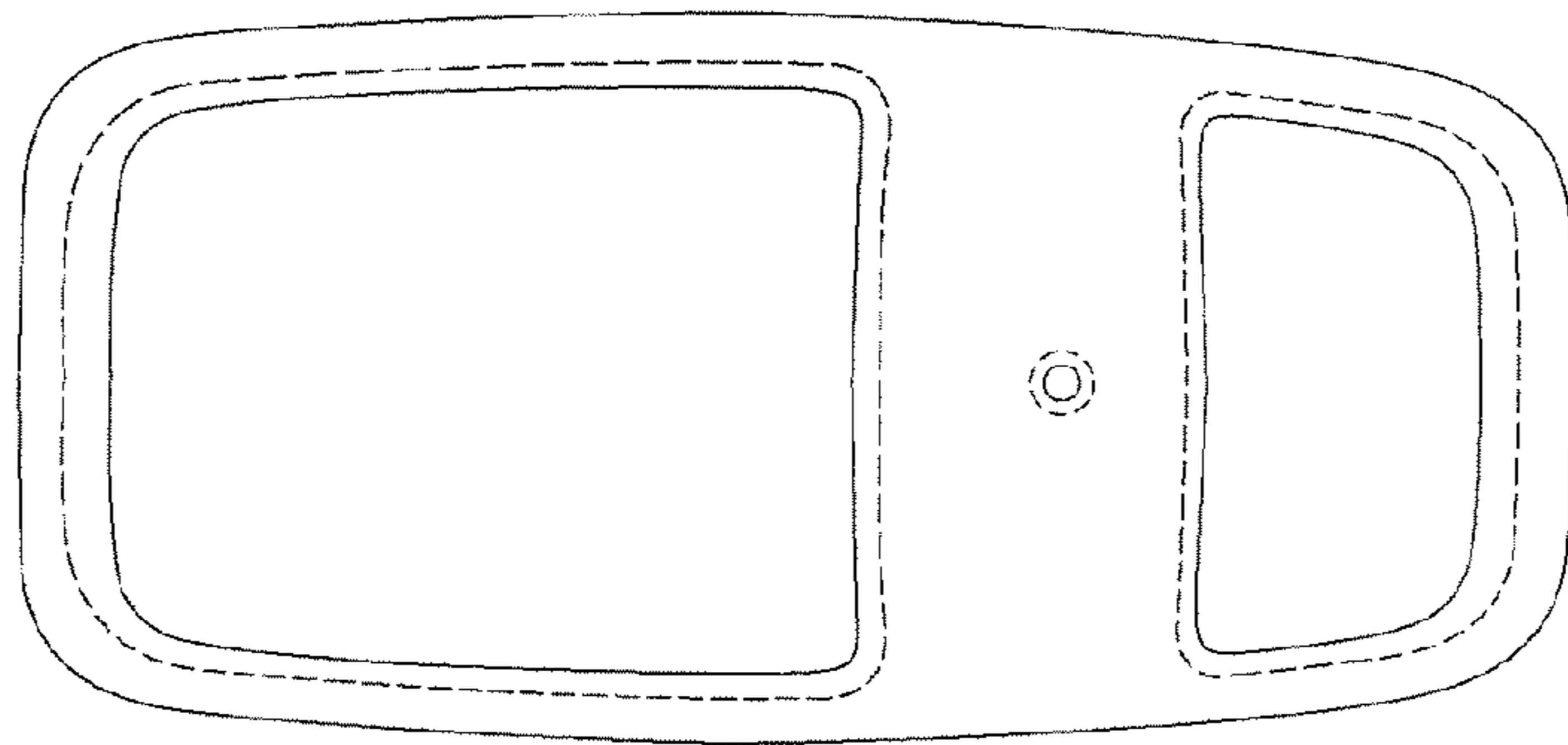


FIG. 7



UNITED STATES PATENT AND TRADEMARK OFFICE
CERTIFICATE OF CORRECTION

PATENT NO. : D739,025 S
APPLICATION NO. : 29/473855
DATED : September 15, 2015
INVENTOR(S) : Karin Blomquist et al.

Page 1 of 4

It is certified that error appears in the above-identified patent and that said Letters Patent is hereby corrected as shown below:

Delete the title page and substitute therefore with the attached title page consisting of the corrected illustrative figure.

In the Drawings

Figs. 1, 6, and 7 are corrected to show dashed line circles as illustrated on the attached Replacement Sheet drawings.

Signed and Sealed this
Fourteenth Day of June, 2016



Michelle K. Lee
Director of the United States Patent and Trademark Office

(12) **United States Design Patent**
Blomquist et al.

(10) **Patent No.:** **US D739,025 S**
(45) **Date of Patent:** **** Sep. 15, 2015**

(54) **VENTILATOR HANDLE**
(71) Applicants: **Karin Blomquist**, Sollentuna (SE);
Anna Carell, Bromma (SE); **Aydin**
Mert, Orebro (SE)
(72) Inventors: **Karin Blomquist**, Sollentuna (SE);
Anna Carell, Bromma (SE); **Aydin**
Mert, Orebro (SE)
(73) Assignee: **Maquet Critical Care AB**, Solna (SE)
(**) Term: **14 Years**
(21) Appl. No.: **29/473,855**
(22) Filed: **Nov. 26, 2013**

D423,671 S * 4/2000 Garito et al. D24/185
D447,567 S 9/2001 Murphy et al.
D459,477 S 6/2002 Stocks et al.
D462,496 S * 9/2002 Koppes et al. D34/27
D467,001 S 12/2002 Buczek et al.
D468,420 S 1/2003 Bolmsjo
6,626,445 B2 9/2003 Murphy et al.
6,669,639 B1 12/2003 Miller et al.
D486,915 S 2/2004 Warschewske et al.
D489,181 S * 5/2004 Moon D3/318
D493,977 S 8/2004 Rossini et al.
D500,575 S 1/2005 Lucas
D512,508 S * 12/2005 Mesaros D24/185
D518,267 S 3/2006 Arceta
D528,856 S * 9/2006 Pascal D7/394
D532,953 S 11/2006 Lauer et al.
D539,794 S 4/2007 Rossini et al.
D544,962 S 6/2007 Diener et al.

(Continued)

Related U.S. Application Data

(62) Division of application No. 29/462,690, filed on Aug. 7, 2013, now Pat. No. Des. 702,840.

Foreign Application Priority Data

Feb. 7, 2013 (EP) 002180356

(51) **LOC (10) CL** **24-00**

(52) **U.S. CL.**
USPC **D24/164**

(58) **Field of Classification Search**
USPC D24/164, 107, 110, 186, 185, 231, 234,
D24/177, 183, 174; 16/444, 436, 431, 430,
16/429, 110.1; D12/111, 178; 74/551.9,
74/543, 551.4, 557; D34/27; D3/318;
D7/394

See application file for complete search history.

References Cited

U.S. PATENT DOCUMENTS

4,073,036 A * 2/1978 Bustin 16/110.1
D335,374 S 5/1993 Schulze et al.
D338,272 S 8/1993 Cunagin et al.
D422,695 S 4/2000 van Engelen et al.

FOREIGN PATENT DOCUMENTS

RU 77007 12/2010

Primary Examiner Holly Baynham

Assistant Examiner Rhea Shields

(74) *Attorney, Agent, or Firm* — Schiff Hardin LLP

CLAIM

(57) The ornamental design for a ventilator handle, as shown and described.

DESCRIPTION

FIG. 1 is a perspective view of a ventilator handle from a direction between right side and a back view of the ventilator handle;

FIG. 2 is a right side elevation view thereof;

FIG. 3 is a left side elevation view thereof;

FIG. 4 is a front elevation view thereof;

FIG. 5 is a back elevation view thereof;

FIG. 6 is a top plan view thereof; and,

FIG. 7 is a bottom plan view thereof.

In the drawings, the broken lines depict unclaimed subject matter only and form no part of the claimed design.

1 Claim, 2 Drawing Sheets

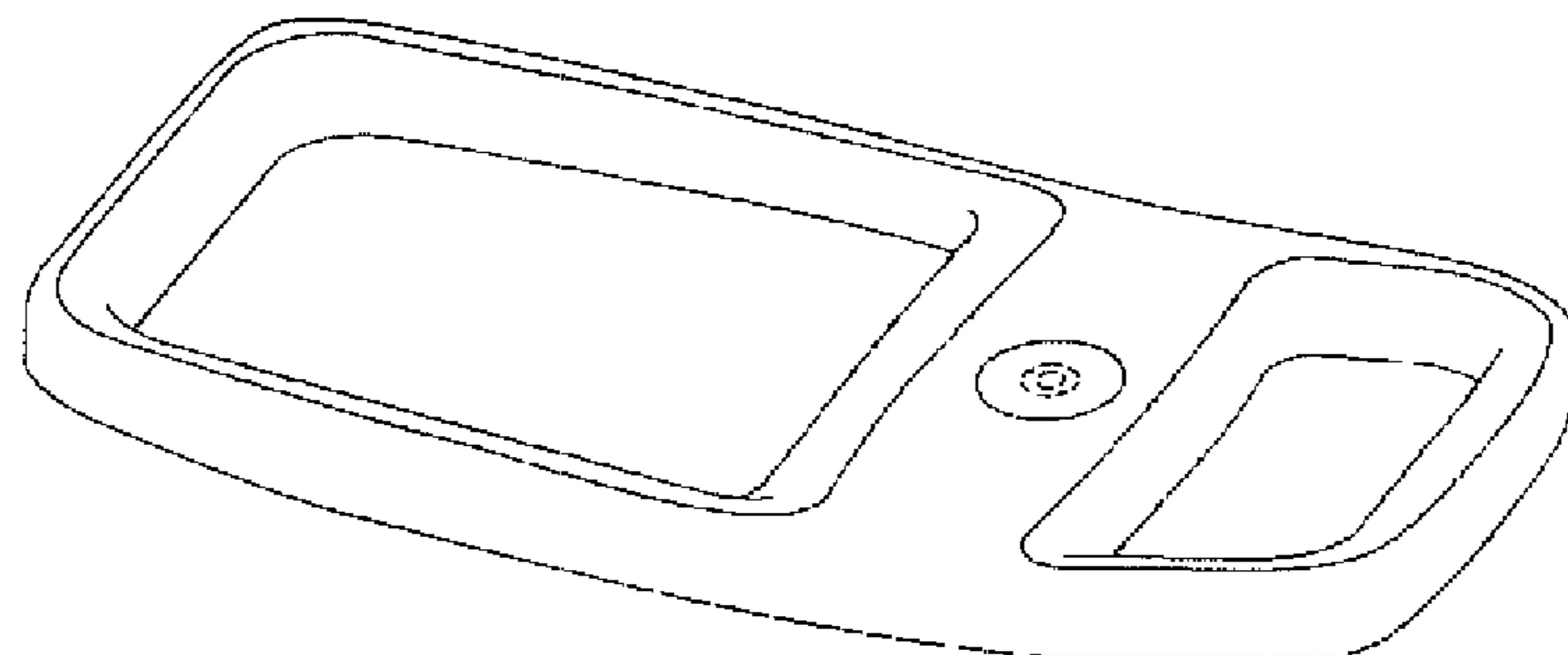


FIG. 1

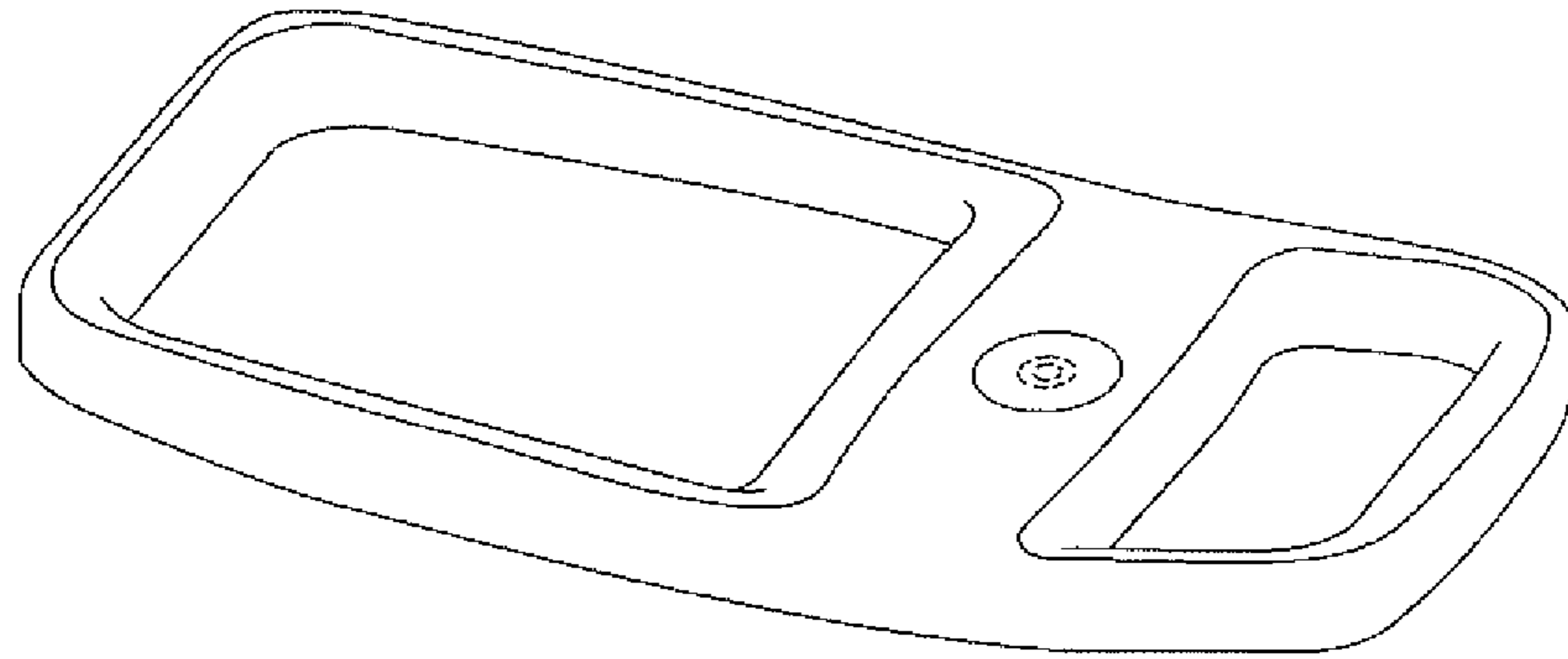


FIG. 2

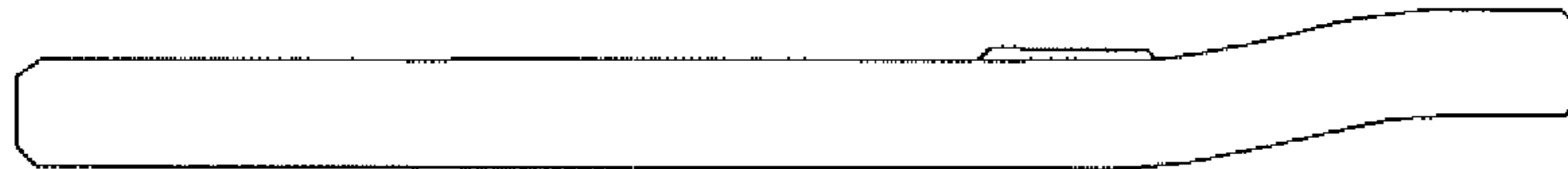


FIG. 3

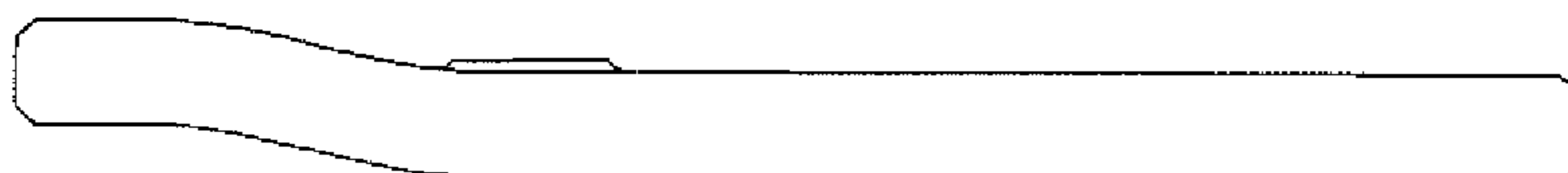


FIG. 4

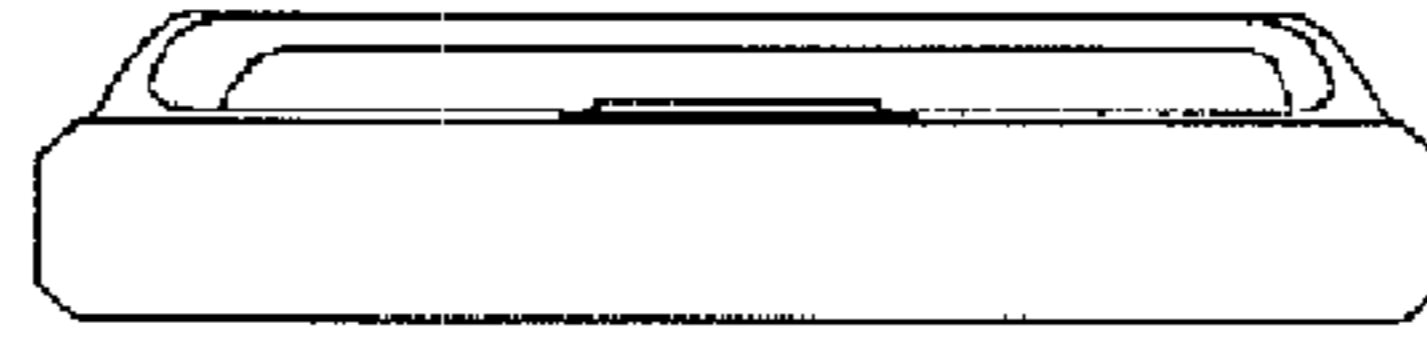


FIG. 5

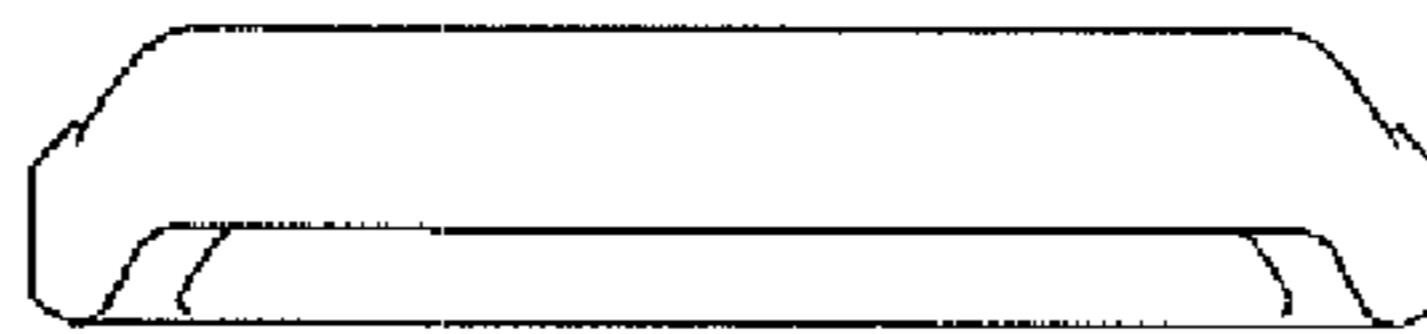


FIG. 6

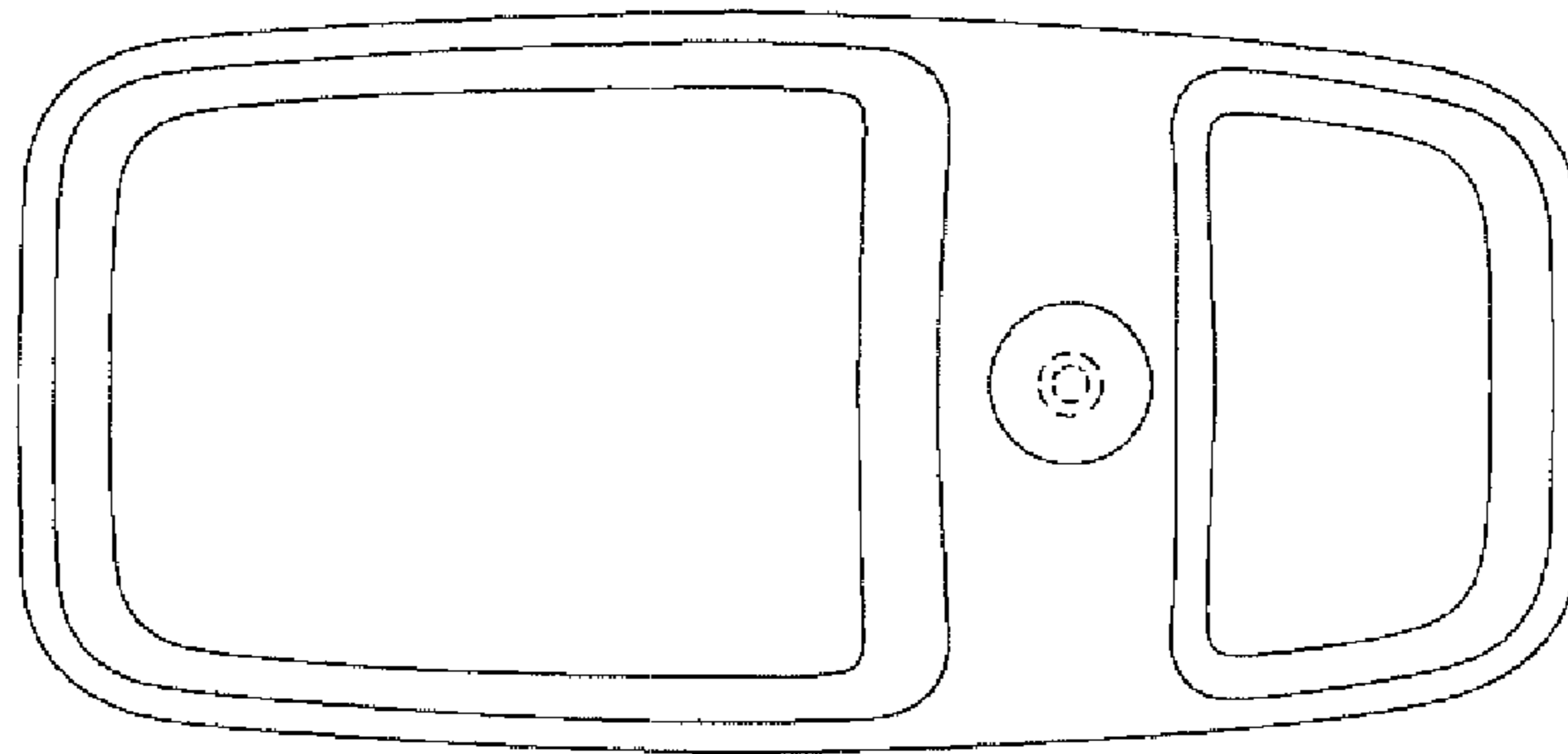


FIG. 7

