



US00D739024S

(12) **United States Design Patent**
Mochizuki et al.

(10) **Patent No.:** **US D739,024 S**
(45) **Date of Patent:** **** Sep. 15, 2015**

(54) **INCUBATOR**

(71) Applicant: **Panasonic Healthcare Co. Ltd.**,
Toon-shi, Ehime (JP)
(72) Inventors: **Akihiro Mochizuki**, Ehime (JP);
Yasutoshi Okamoto, Ehime (JP); **Fumio**
Yamada, Ehime (JP)
(73) Assignee: **PANASONIC HEALTHCARE**
HOLDINGS CO., LTD., Tokyo (JP)

(**) Term: **14 Years**

(21) Appl. No.: **29/489,069**

(22) Filed: **Apr. 25, 2014**

(30) **Foreign Application Priority Data**

Oct. 28, 2013 (JP) 2013-024981

(51) **LOC (10) Cl.** **24-01**

(52) **U.S. Cl.**
USPC **D24/163**

(58) **Field of Classification Search**
USPC D24/163, 164, 185, 202, 209, 231;
600/21, 22; 119/311; 128/202.12,
128/205.26; D30/108, 117, 199; D10/50
CPC ... A61G 11/00; A61G 11/002; A61G 11/005;
A61G 11/009

See application file for complete search history.

(56) **References Cited**

U.S. PATENT DOCUMENTS

D297,564 S *	9/1988	Yamamoto et al.	D24/232
D319,102 S *	8/1991	Futatsuka et al.	D24/163
D328,352 S *	7/1992	Futatsuka	D24/232
D387,164 S *	12/1997	Barnett et al.	D24/163
D463,297 S *	9/2002	Okamoto et al.	D10/52
D520,885 S	5/2006	Takach et al.	
D556,061 S	11/2007	Rosen	
D579,798 S	11/2008	Kachlick et al.	
D589,822 S	4/2009	Rhodes	
D592,081 S	5/2009	Kachlick et al.	
D604,417 S *	11/2009	Fujimoto et al.	D24/164
D666,509 S	9/2012	Beland et al.	
D678,084 S	3/2013	Beland et al.	
D681,844 S *	5/2013	Matsuguma	D24/232
D681,845 S *	5/2013	Matsuguma	D24/232

* cited by examiner

Primary Examiner — Anhdao Doan

(74) *Attorney, Agent, or Firm* — Brinks Gilson & Lione

(57) **CLAIM**

We claim the ornamental design for an incubator, as shown and described.

DESCRIPTION

FIG. 1 is a front perspective view of an incubator of the present invention;
FIG. 2 is a front view thereof;
FIG. 3 is rear view thereof;
FIG. 4 is a first side view thereof;
FIG. 5 is a second side view thereof;
FIG. 6 is a top view thereof; and,
FIG. 7 is a bottom view thereof.

The broken lines shown represent unclaimed subject matter and form no part of the claimed design.

1 Claim, 7 Drawing Sheets

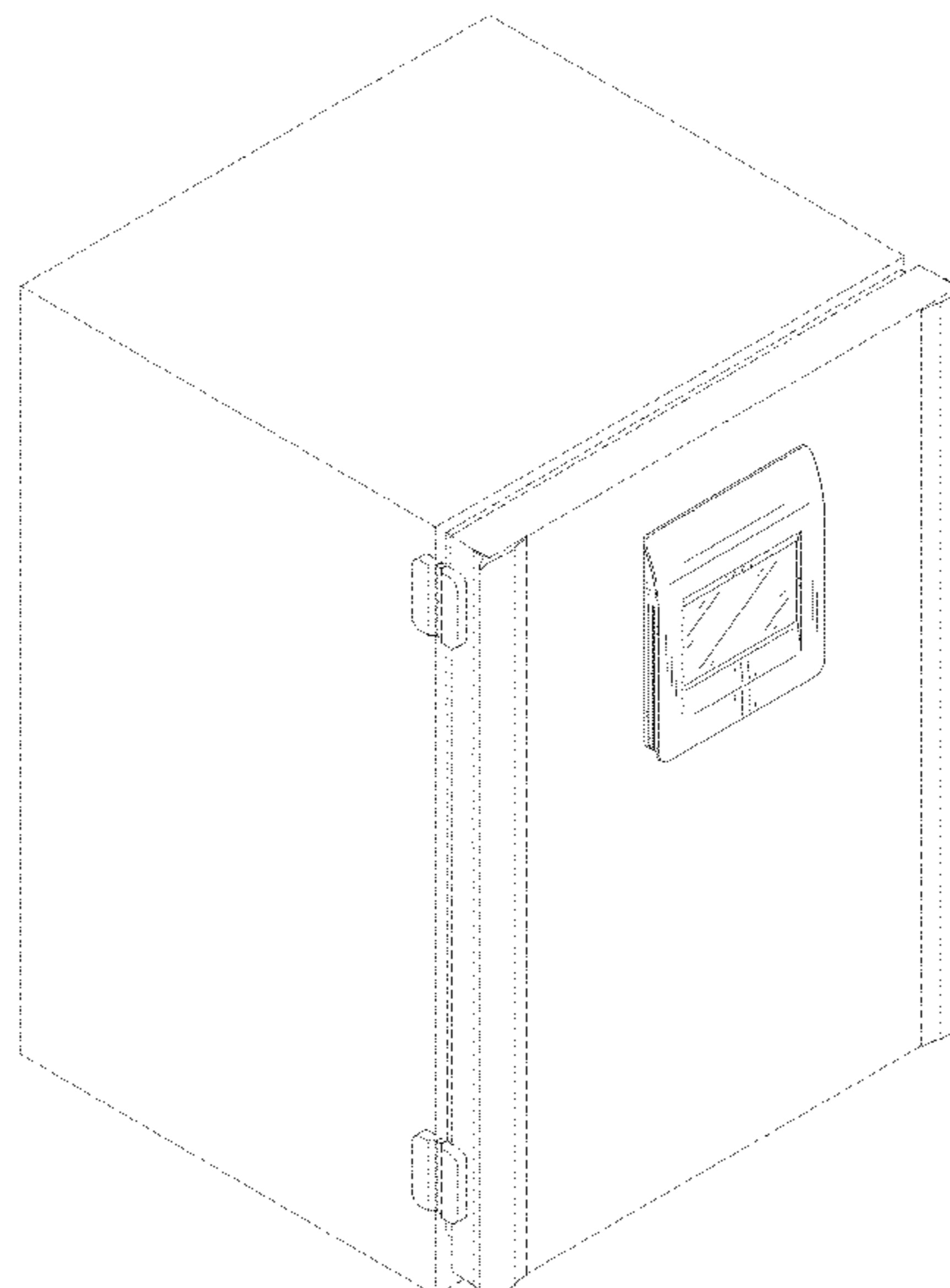


FIG. 1

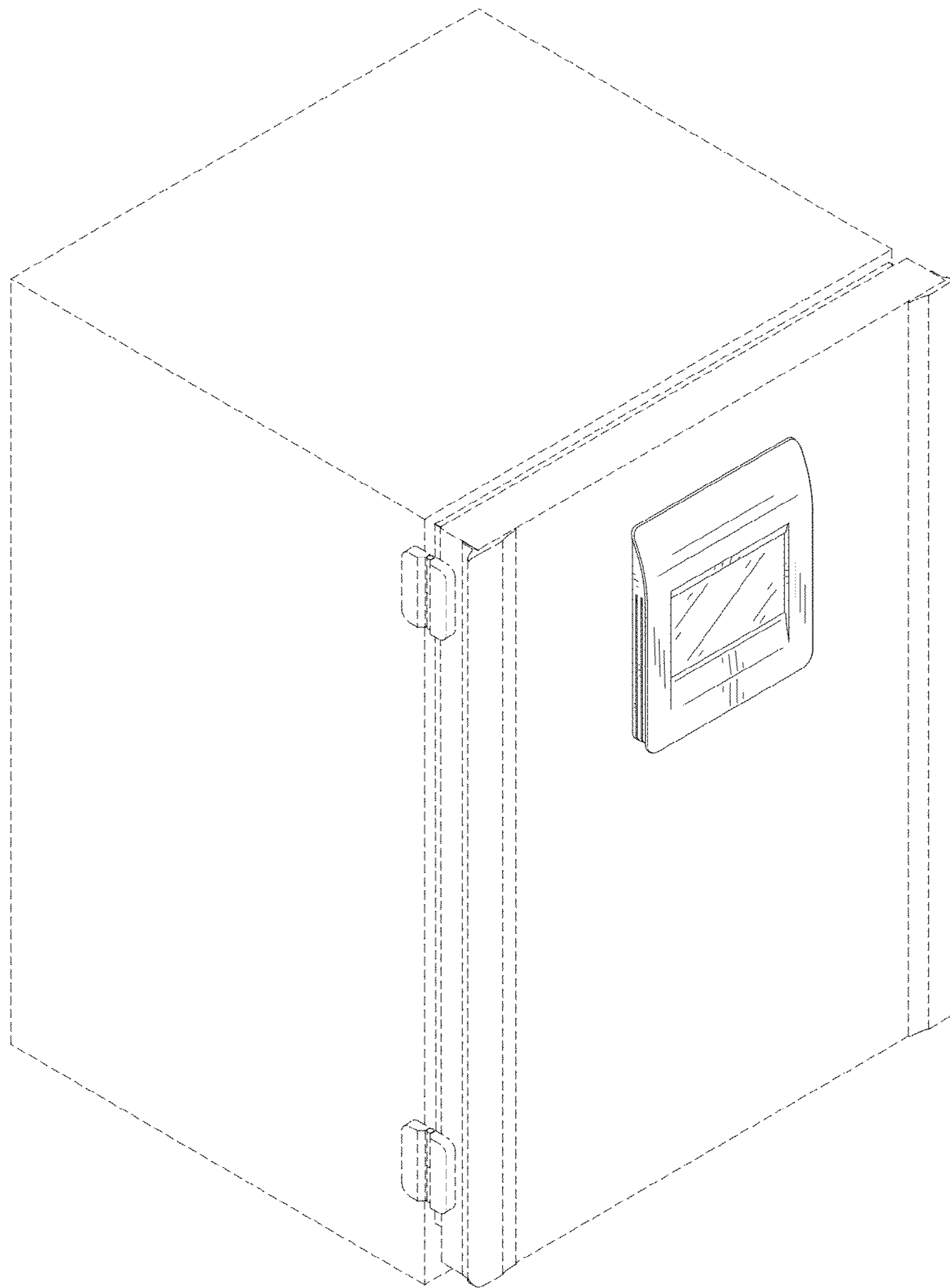


FIG.2

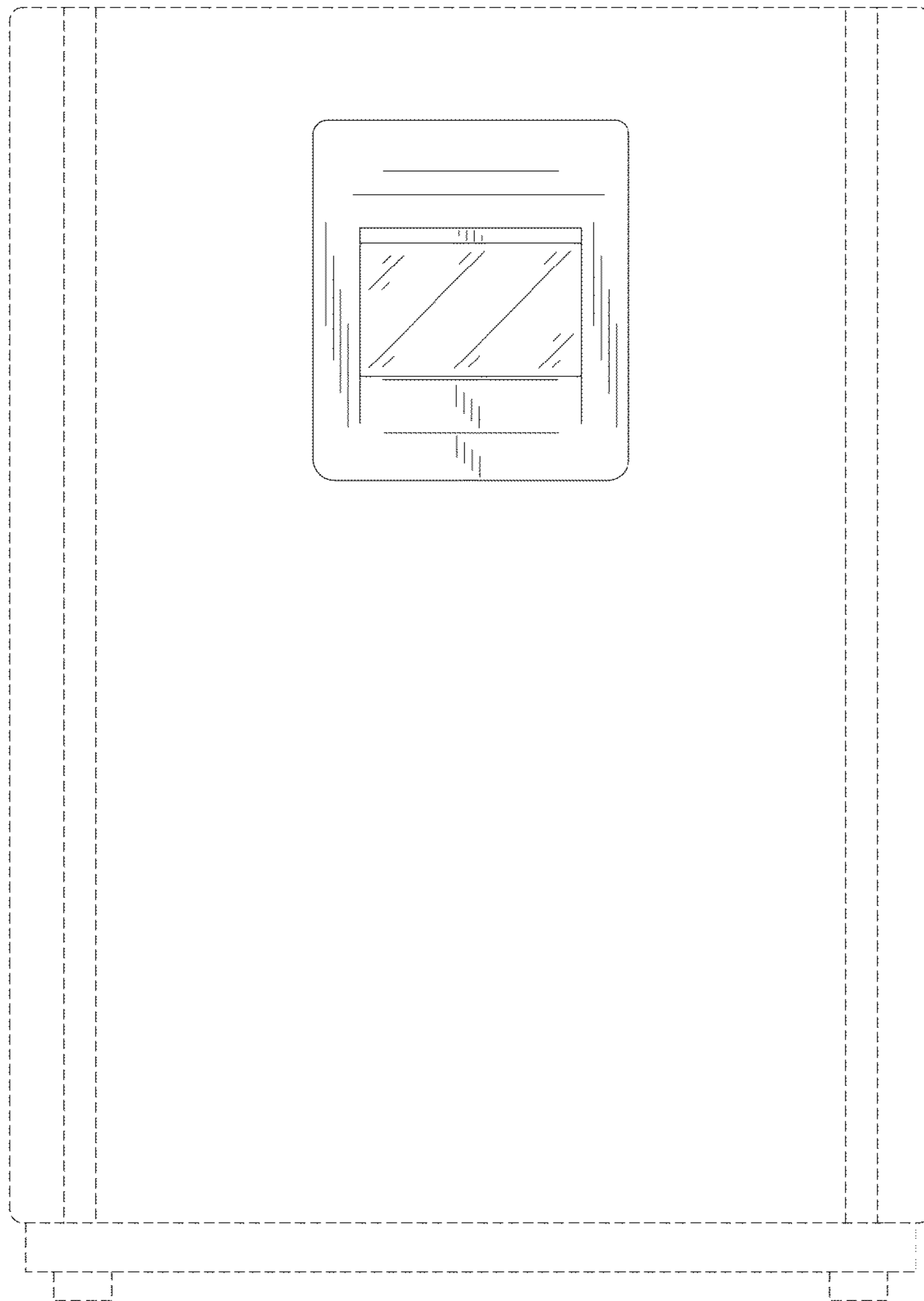


FIG.3

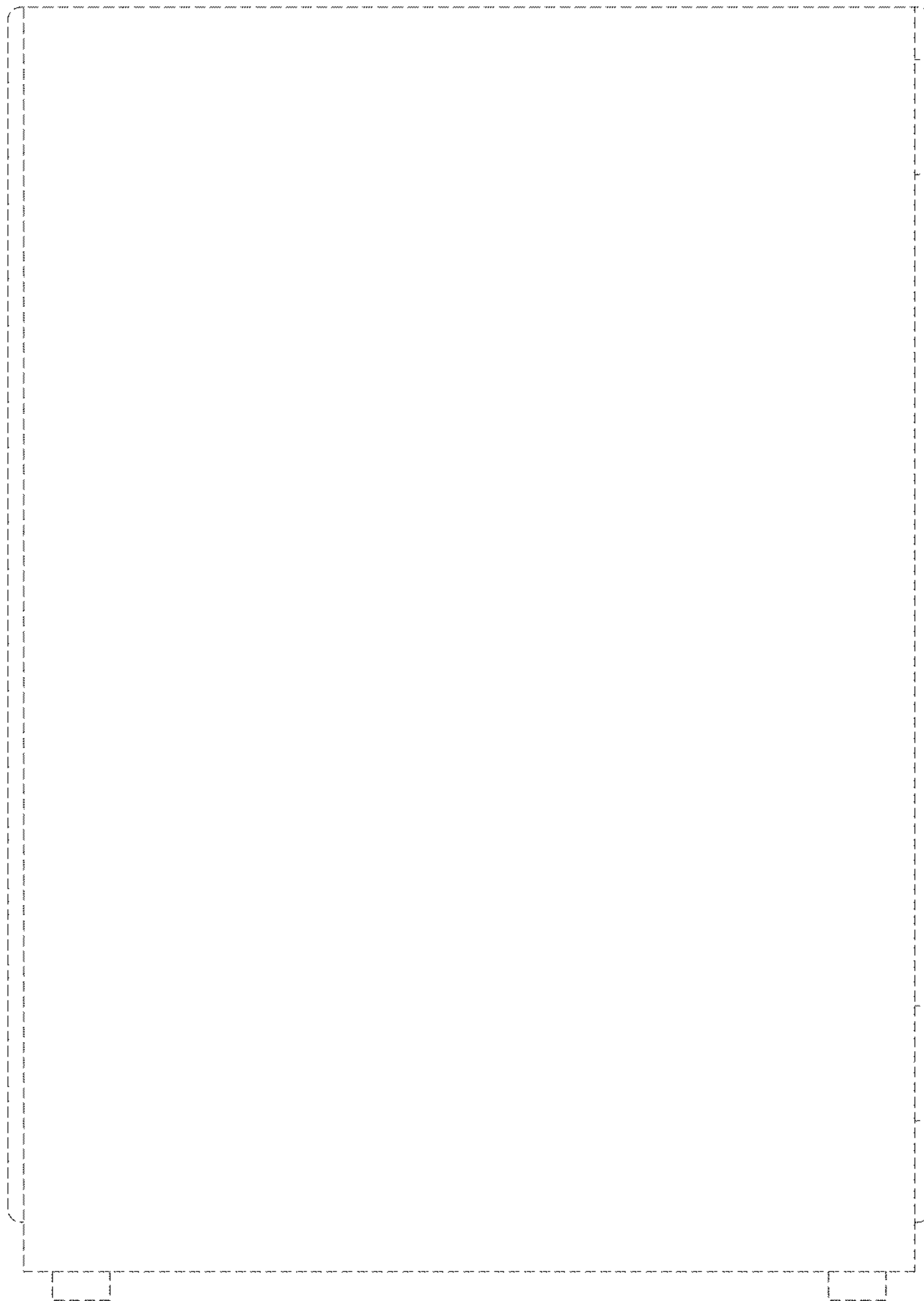


FIG.4

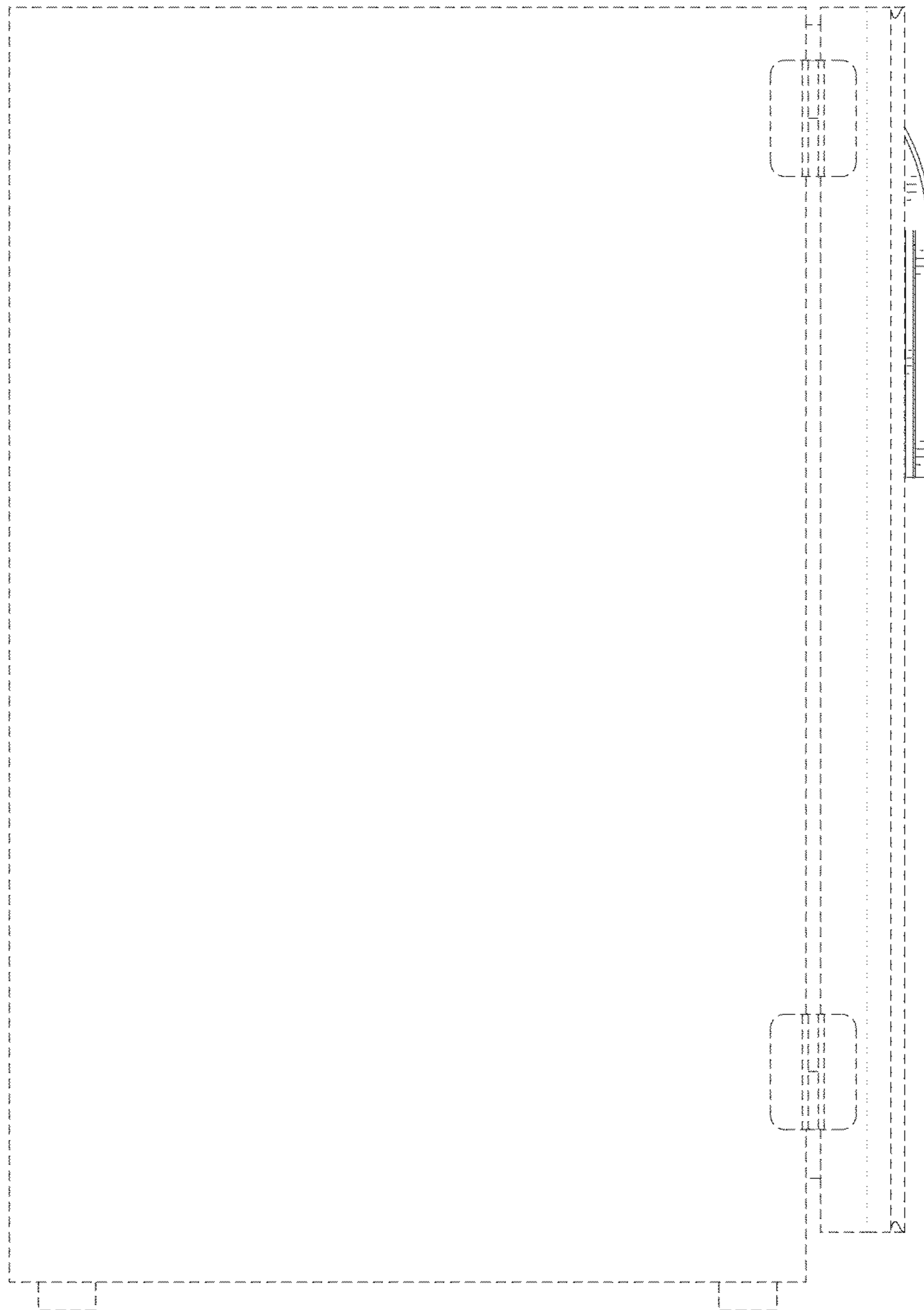


FIG.5



FIG.6

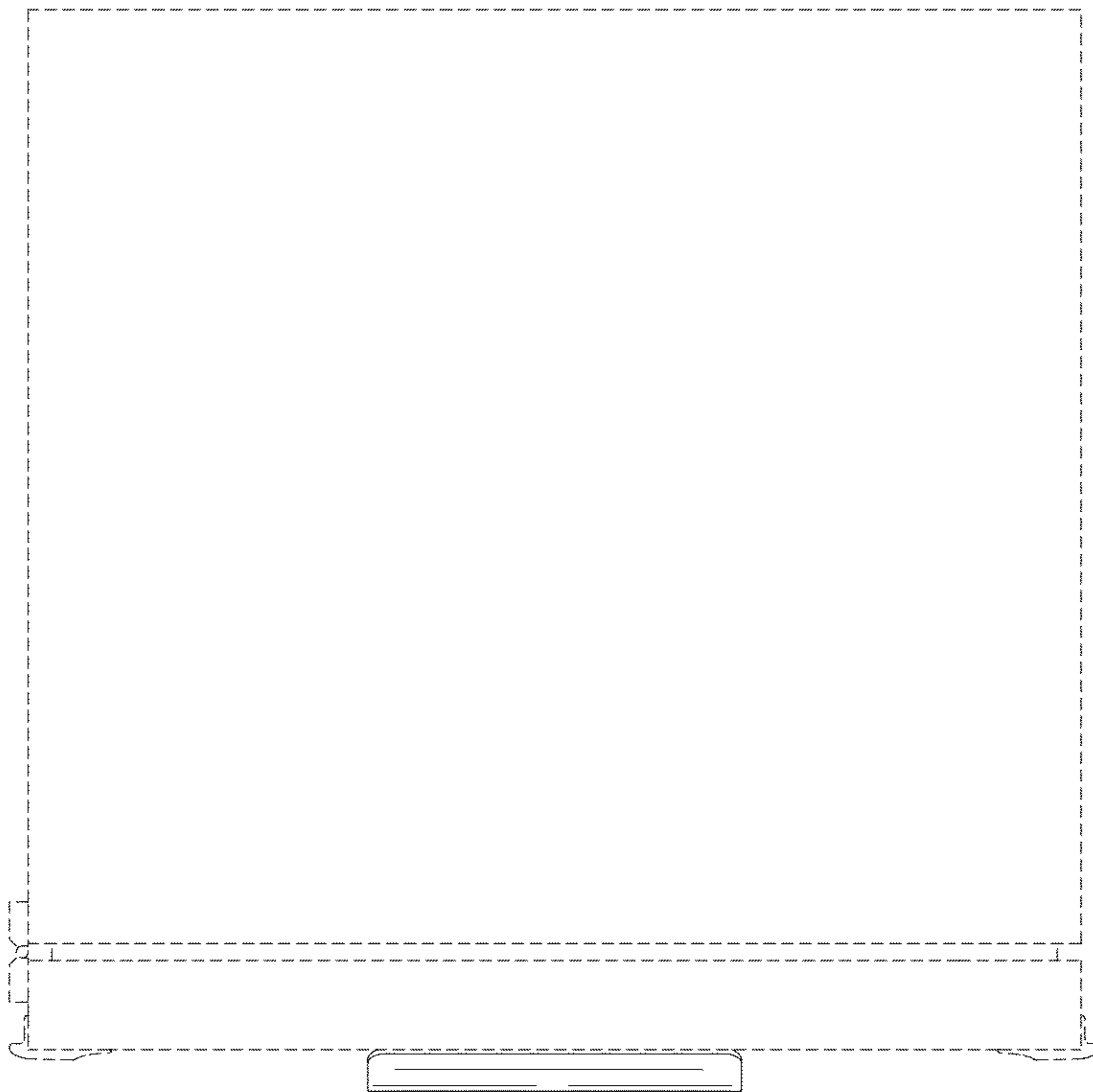


FIG. 7

