



US00D739020S

(12) **United States Design Patent**
Kumar

(10) **Patent No.:** **US D739,020 S**

(45) **Date of Patent:** **** Sep. 15, 2015**

(54) **RETRACTABLE SAFETY SCALPEL**
(71) Applicant: **PARAMOUNT SURGIMED LTD.,**
New Delhi (IN)
(72) Inventor: **Abhay Kumar,** New Delhi (IN)
(73) Assignee: **PARAMOUNT SURGIMED LTD.,**
New Delhi (IN)
(**) Term: **14 Years**

D482,788 S * 11/2003 Montgomery et al. D24/147
D483,871 S * 12/2003 Endo D24/147
D561,898 S * 2/2008 Goto D24/147
D568,475 S * 5/2008 Sandel et al. D24/147
7,527,635 B2 5/2009 Saito et al.
8,015,712 B2 9/2011 Yi et al.
D726,317 S * 4/2015 DeLaRosa et al. D24/147
2007/0078472 A1 4/2007 Singh
2007/0276422 A1 * 11/2007 Pooler 606/167
2008/0009890 A1 * 1/2008 Holman 606/167
2009/0192538 A1 * 7/2009 Sandel et al. 606/167
2010/0168773 A1 * 7/2010 Funderburk et al. 606/167
2010/0268258 A1 * 10/2010 Maxwell 606/167

(Continued)

(21) Appl. No.: **29/495,285**

(22) Filed: **Jun. 30, 2014**

(51) **LOC (10) Cl.** **24-02**

(52) **U.S. Cl.**
USPC **D24/147**

(58) **Field of Classification Search**
USPC D7/649; D8/93, 97, 300, 310, 311, 313;
D19/110, 115; D24/127, 130, 133,
D24/146, 147, 148
CPC B26B 3/00; B26B 1/10; B26B 5/005;
A61B 17/809; A61B 17/1617; A61B 17/3211;
A61B 5/1411; A61B 17/3417
See application file for complete search history.

FOREIGN PATENT DOCUMENTS

CN 202143644 U 2/2012
WO WO 9525616 A1 9/1995

Primary Examiner — Robert M Spear
Assistant Examiner — Marissa J Cash
(74) *Attorney, Agent, or Firm* — Pearne & Gordon LLP

(57) **CLAIM**
The ornamental design for a retractable safety scalpel, as shown and described.

DESCRIPTION

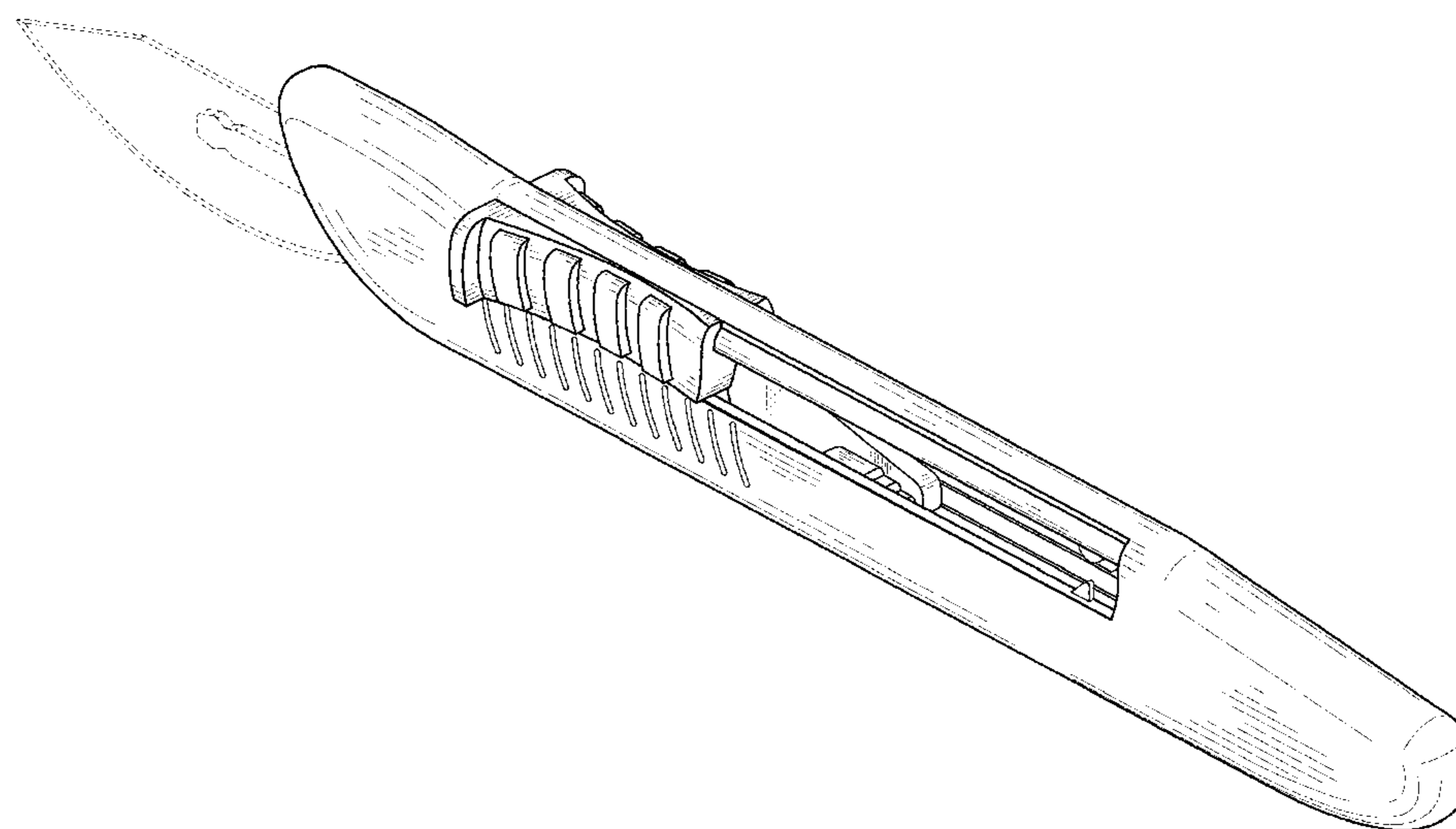
FIG. 1 is a left perspective view of a retractable safety scalpel; FIG. 2 is a right perspective view of the retractable safety scalpel; FIG. 3 is a rear view thereof; FIG. 4 is a front view thereof; FIG. 5 is a top view thereof; FIG. 6 is a bottom view thereof; FIG. 7 is a right side view thereof; FIG. 8 is a left side view thereof; FIG. 9 is a back view thereof, shown in a retracted position of use; and, FIG. 10 is a front view thereof.

1 Claim, 5 Drawing Sheets

(56) **References Cited**

U.S. PATENT DOCUMENTS

D101,325 S * 9/1936 Brown D24/147
D242,179 S * 11/1976 Sugiyama D24/147
D296,713 S * 7/1988 Porat et al. D24/147
D299,413 S * 1/1989 DeCarolis D8/97
D327,125 S * 6/1992 Iten D24/146
D330,082 S * 10/1992 Schutte et al. D24/147
D342,573 S * 12/1993 Cerola D24/147
5,299,357 A 4/1994 Wonderley et al.
5,599,351 A 2/1997 Haber et al.
6,254,621 B1 7/2001 Shackelford et al.
D457,955 S * 5/2002 Bilitz D24/133
D466,214 S * 11/2002 Otsuka D24/147
D481,129 S * 10/2003 DiCesare et al. D24/147



(56)

References Cited

U.S. PATENT DOCUMENTS

2013/0079804	A1*	3/2013	Milton et al.	606/167	
2013/0104405	A1*	5/2013	Garavaglia et al.	30/295	
2013/0245655	A1*	9/2013	Mahurkar	606/167	
2012/0245610	A1*	9/2012	Hajgato et al.	606/167	
2013/0074671	A1*	3/2013	Tamamura et al.	83/582	* cited by examiner

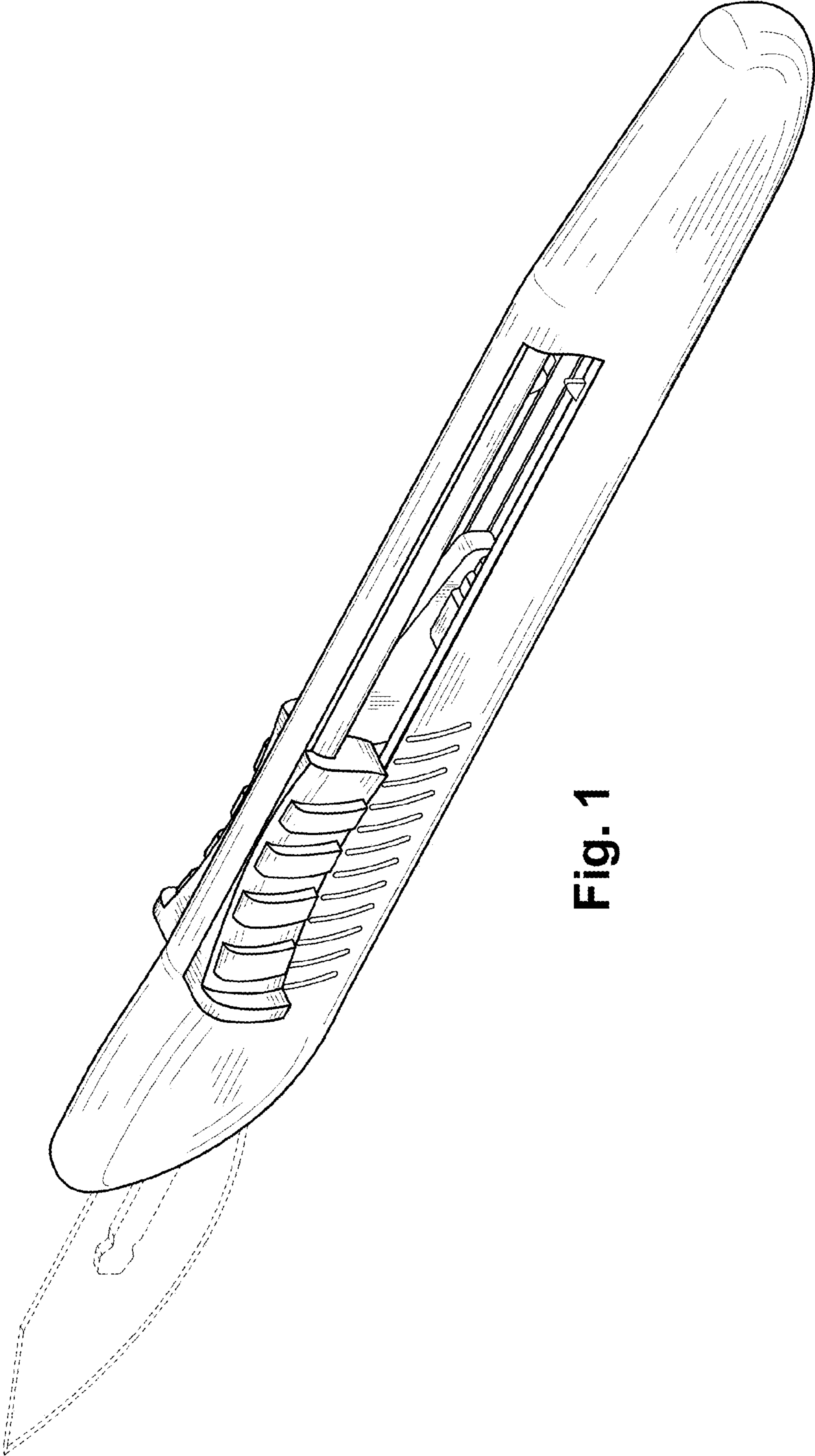


Fig. 1

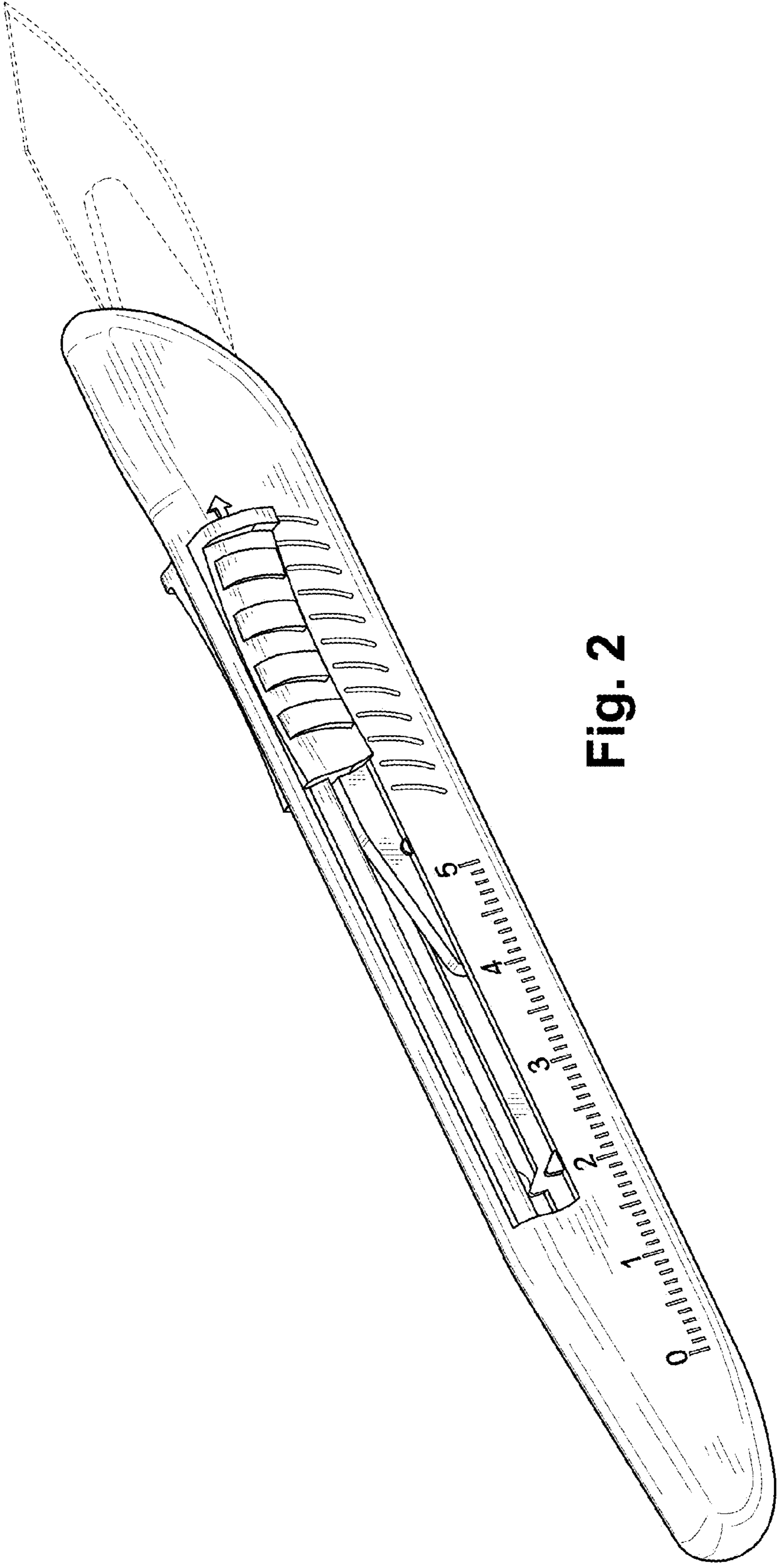


Fig. 2

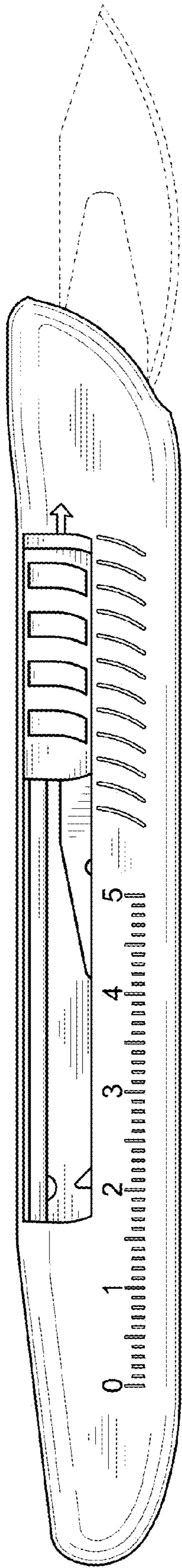


Fig. 3

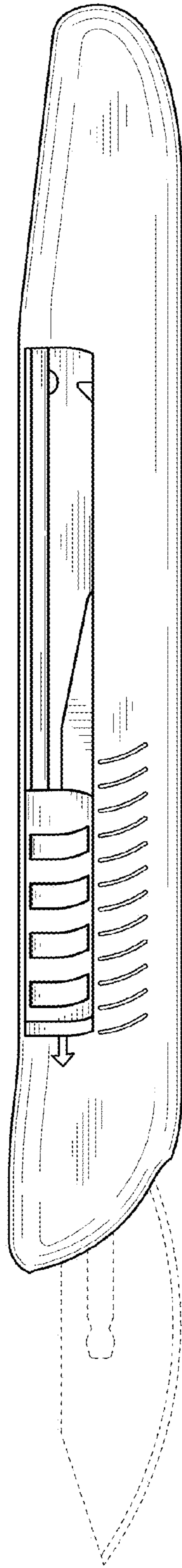


Fig. 4

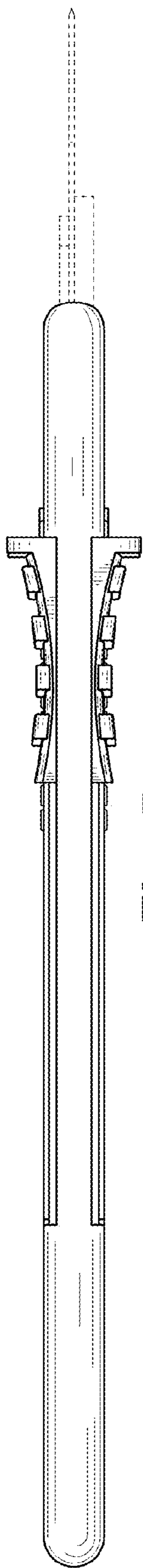


Fig. 5

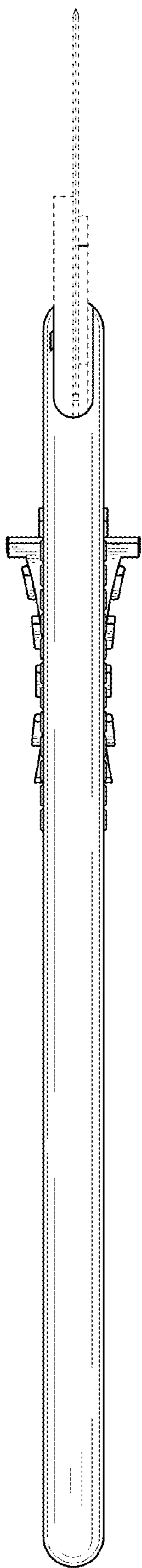


Fig. 6

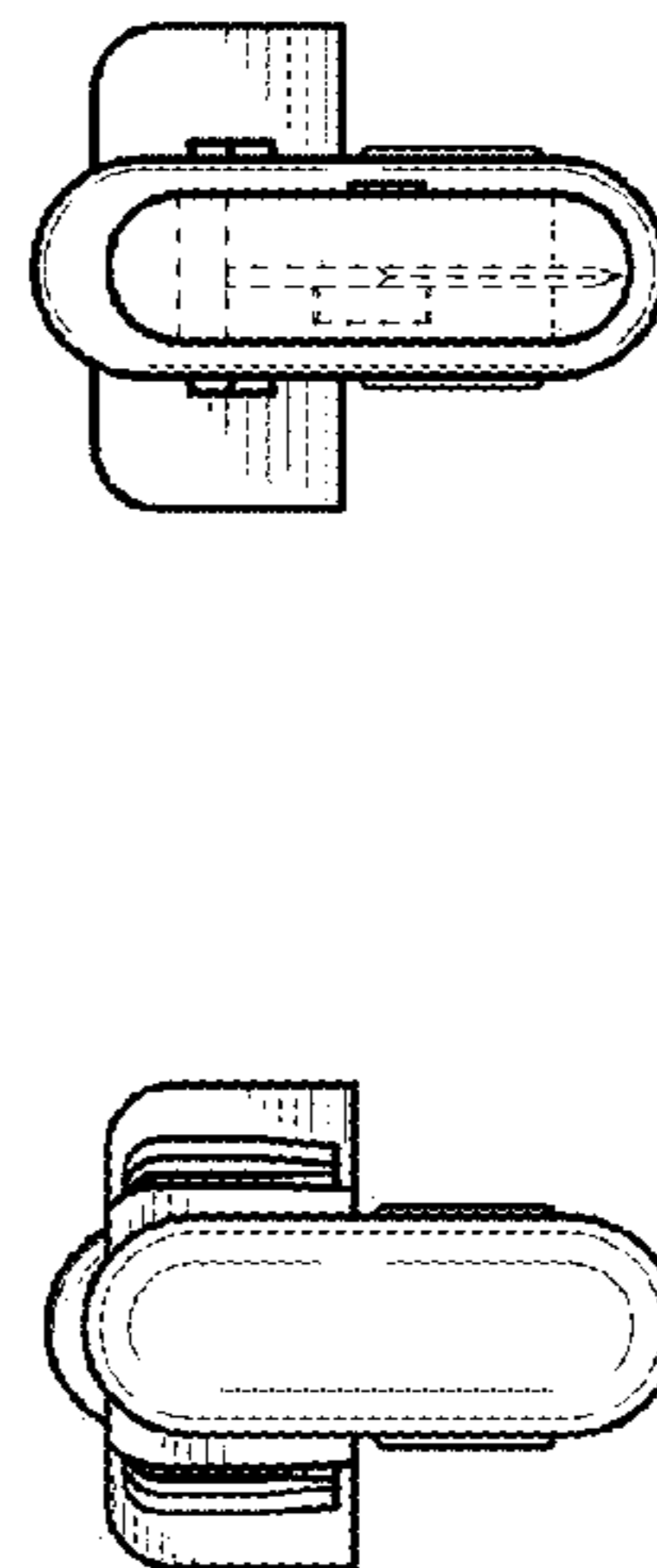


Fig. 7

Fig. 8

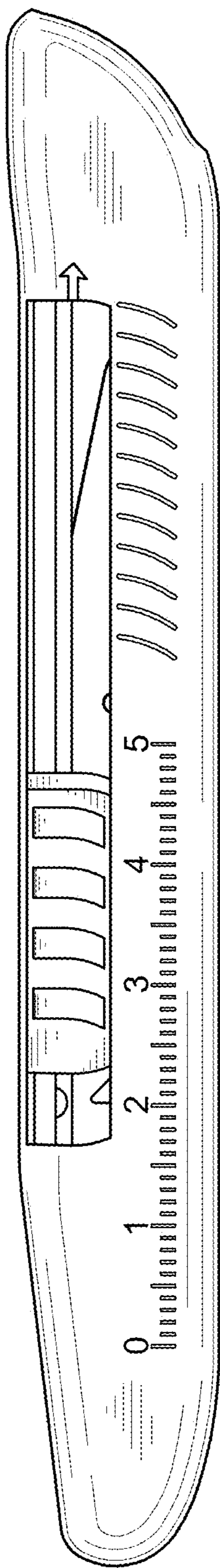


Fig. 9

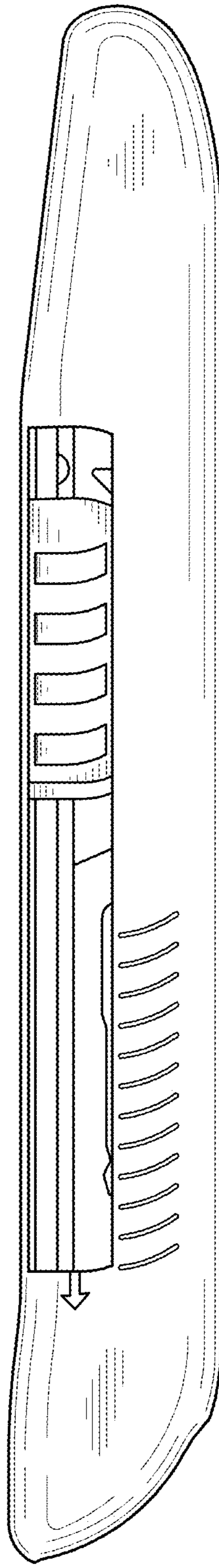


Fig. 10