



US00D739016S

(12) **United States Design Patent**  
**Berci et al.**

(10) **Patent No.:** **US D739,016 S**

(45) **Date of Patent:** **\*\* Sep. 15, 2015**

(54) **EXOSCOPE**

(71) Applicant: **KARL STORZ GmbH & Co. KG**,  
Tuttlingen (DE)

(72) Inventors: **George Berci**, Los Angeles, CA (US);  
**Christoph Leidolt**, Singen (DE)

(73) Assignee: **KARL STORZ GmbH & Co. KG**,  
Tuttlingen (DE)

(\*\*) Term: **14 Years**

(21) Appl. No.: **29/502,342**

(22) Filed: **Sep. 15, 2014**

**Related U.S. Application Data**

(62) Division of application No. 29/443,052, filed on Jan.  
11, 2013, now Pat. No. Des. 716,445.

(51) **LOC (10) Cl.** ..... **24-02**

(52) **U.S. Cl.**  
USPC ..... **D24/138**

(58) **Field of Classification Search**  
USPC ..... D24/138, 137, 133, 135, 140  
CPC ..... A61B 1/267; A61B 1/2673; A61B 1/2676  
See application file for complete search history.

(56) **References Cited**

**U.S. PATENT DOCUMENTS**

3,368,552 A 2/1968 Böttcher  
4,974,580 A 12/1990 Anapliotis

5,383,876 A 1/1995 Nardella  
D367,324 S 2/1996 McCarthy et al.  
D631,545 S 1/2011 Halder et al.  
D665,906 S 8/2012 Leidolt  
D667,113 S 9/2012 Leidolt  
D667,545 S 9/2012 Czupalla  
D667,546 S 9/2012 Becker  
D716,445 S \* 10/2014 Berci et al. .... D24/138  
D727,496 S \* 4/2015 Berci et al. .... D24/137  
2012/0265023 A1 10/2012 Berci et al.

\* cited by examiner

*Primary Examiner* — Bridget L Eland

(74) *Attorney, Agent, or Firm* — Muncy, Geissler, Olds &  
Lowe, P.C.

(57) **CLAIM**

The ornamental design for an exoscope, as shown described.

**DESCRIPTION**

FIG. 1 is a left side perspective view of an exoscope according  
to the present invention;

FIG. 2 is a right side perspective view of the exoscope of FIG.  
1;

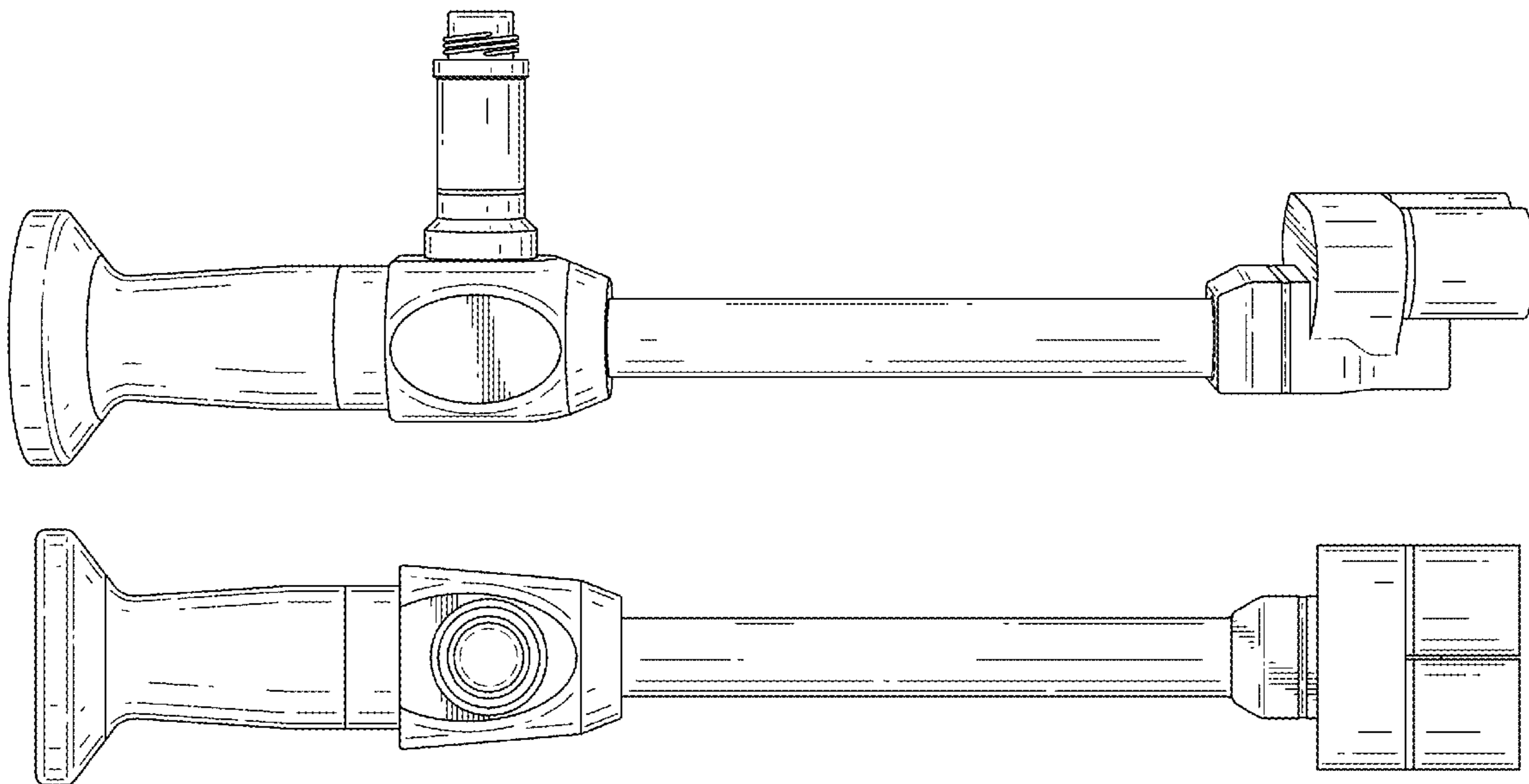
FIG. 3 is a front perspective view of the exoscope of FIG. 1;  
FIG. 4 is a rear perspective view of the exoscope of FIG. 1;

FIG. 5 is a top plan view of the exoscope of FIG. 1;  
FIG. 6 is a bottom plan view of the exoscope of FIG. 1; and,

FIG. 7 is a three quarter perspective view of the exoscope of  
FIG. 1.

The dashed lines illustrate environment that does not form a  
part of the present invention, and no claim is made to the  
material illustrated with dashed lines.

**1 Claim, 7 Drawing Sheets**



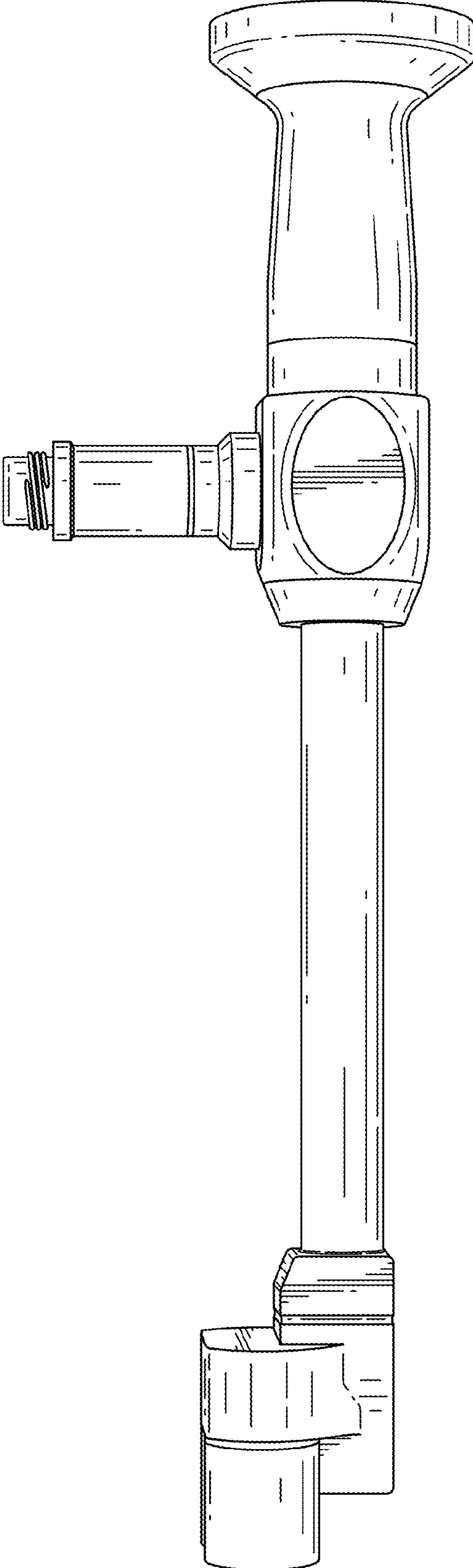


FIG.1

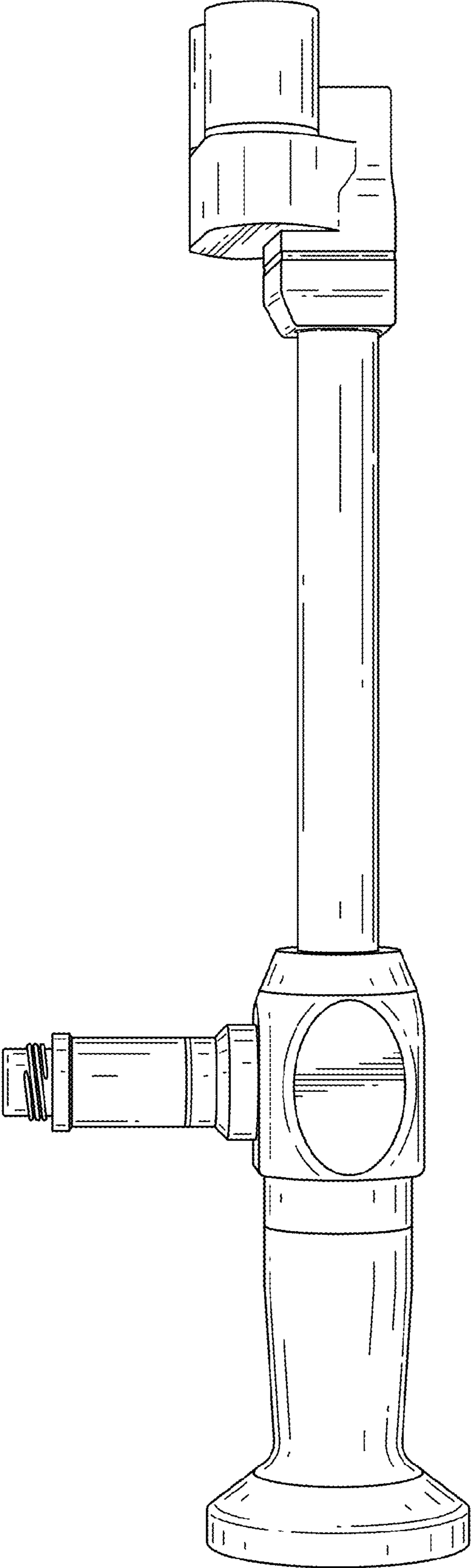


FIG.2

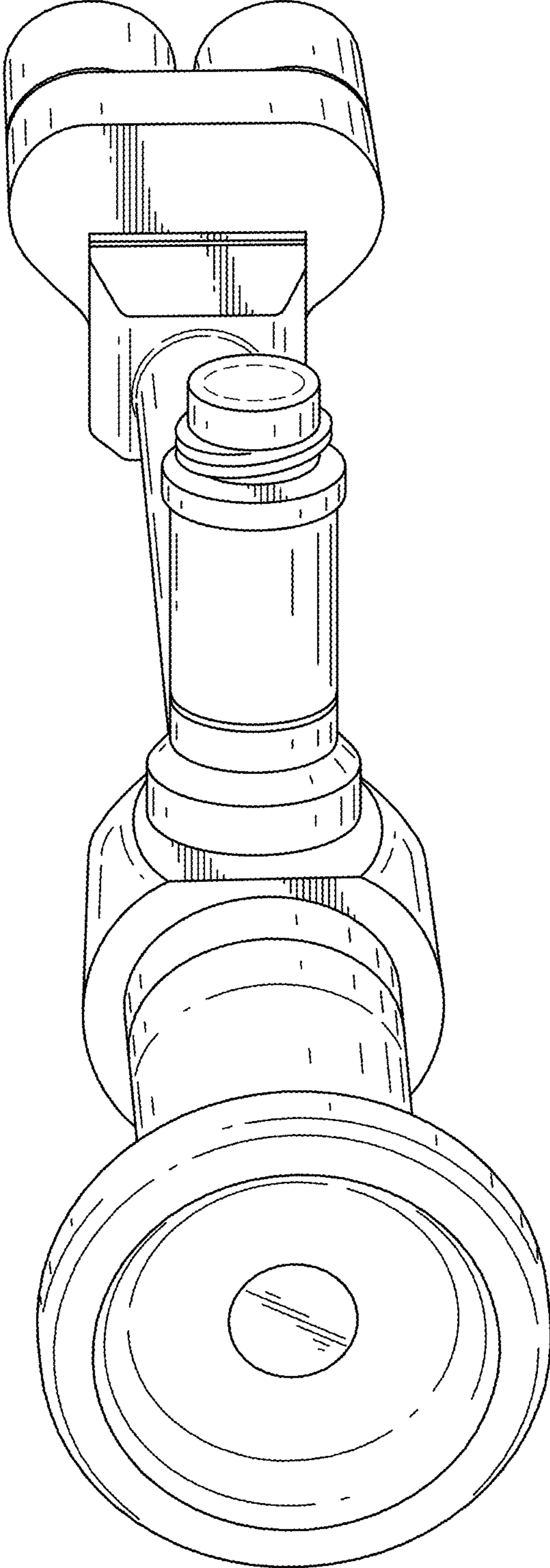


FIG.3

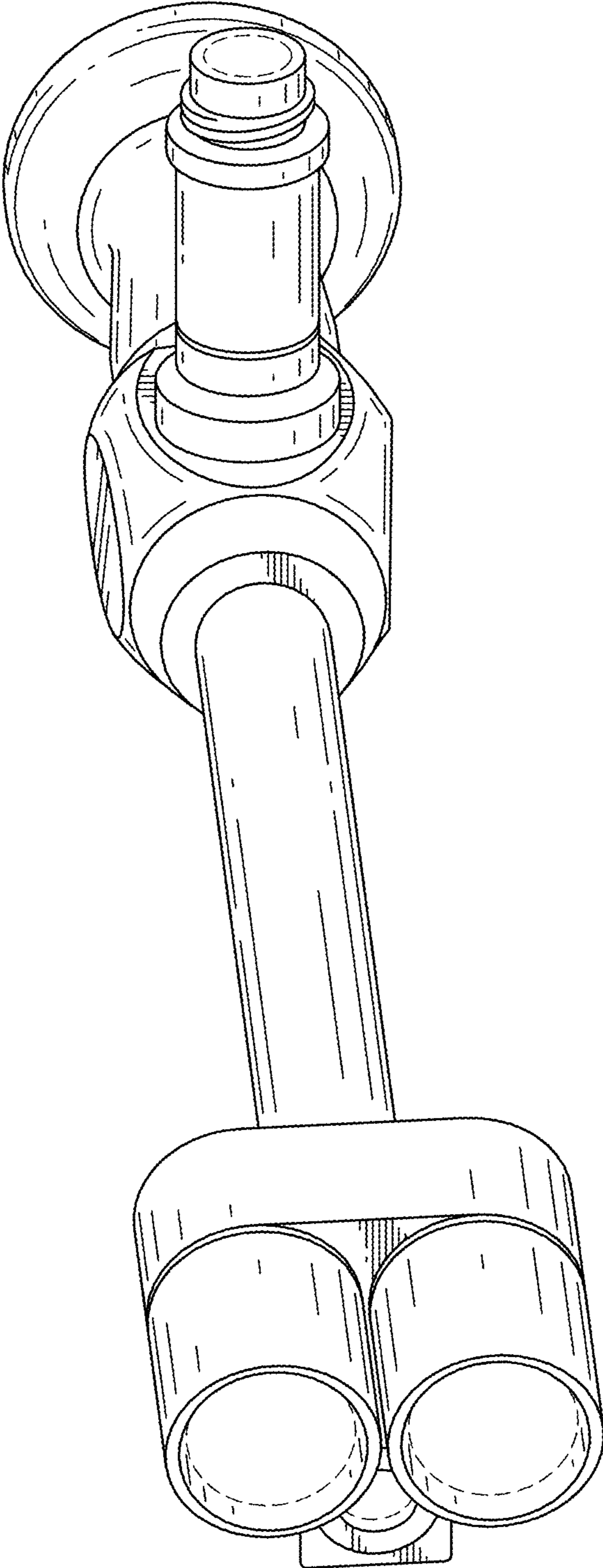


FIG.4

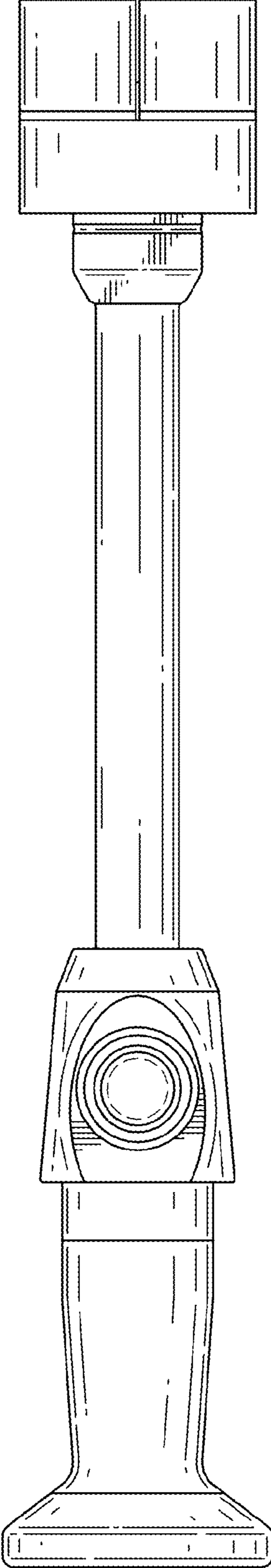


FIG.5



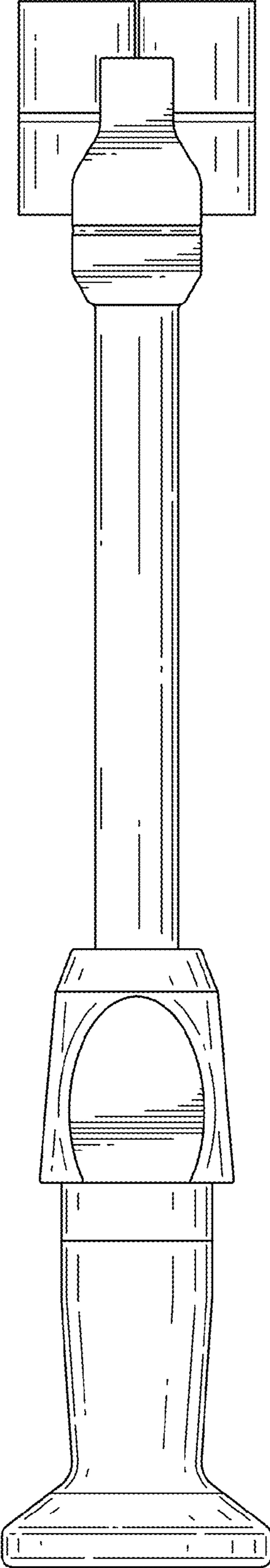


FIG.6

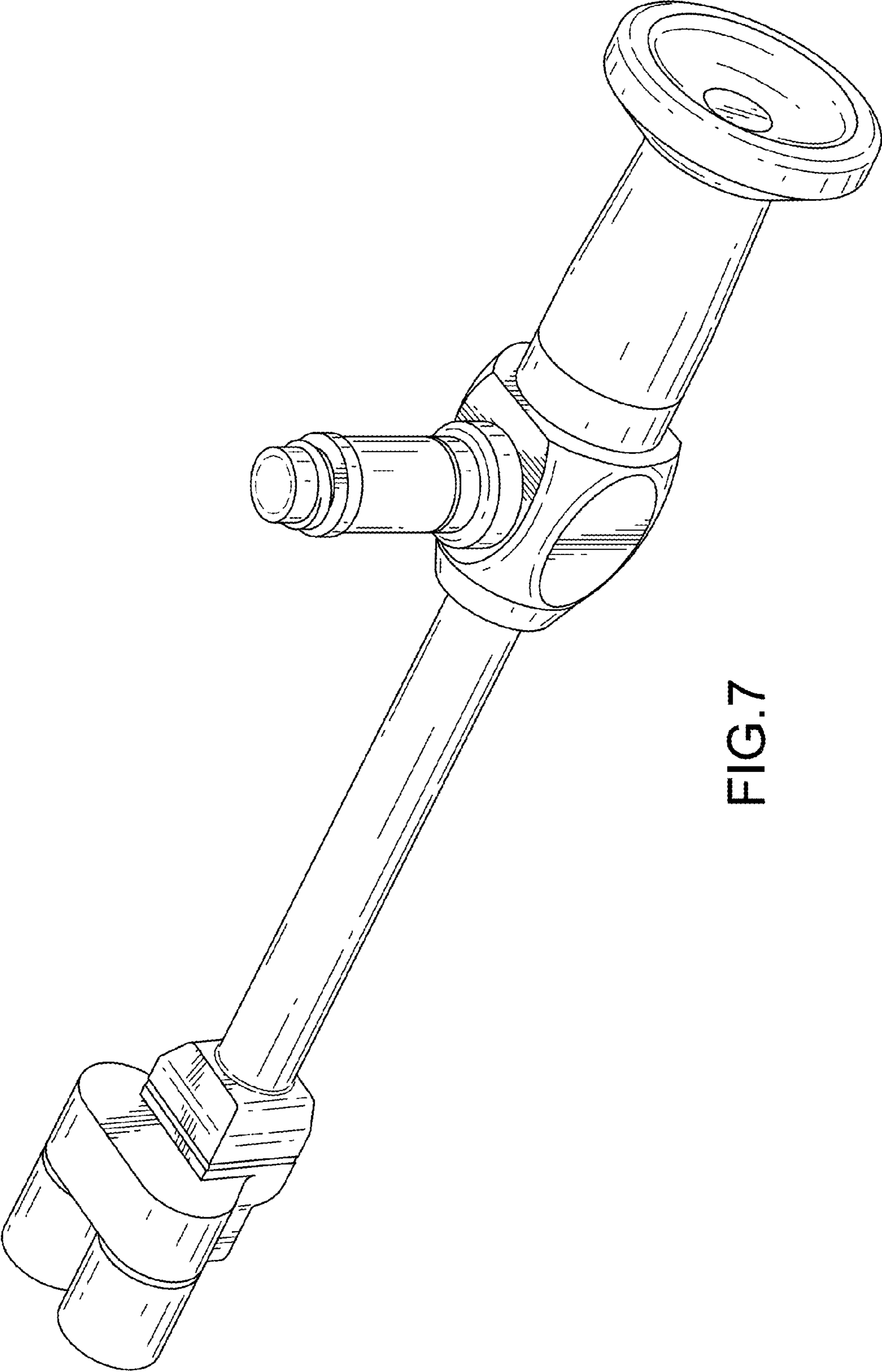


FIG. 7