



US00D739010S

(12) **United States Design Patent**
Wargner et al.

(10) **Patent No.:** **US D739,010 S**
(45) **Date of Patent:** **** Sep. 15, 2015**

(54) **INTRAOCULAR LENS IMPLANTATION
DEVICE**

(71) Applicant: **Santen Pharmaceutical Co., Ltd.**,
Osaka-shi, Osaka (JP)

(72) Inventors: **Christian Winfried Wargner**, Osaka
(JP); **Yoshitaka Yamada**, Osaka (JP);
Katsuyuki Ueno, Osaka (JP)

(73) Assignee: **Santen Pharmaceutical Co., Ltd.**,
Osaka-shi, Osaka (JP)

(**) Term: **14 Years**

(21) Appl. No.: **29/442,736**

(22) Filed: **Apr. 29, 2013**

(30) **Foreign Application Priority Data**

Oct. 30, 2012 (JP) 2012-026401

(51) **LOC (10) Cl.** **24-02**

(52) **U.S. Cl.**
USPC **D24/112**

(58) **Field of Classification Search**
USPC D24/110.6, 112-118, 120, 121, 127,
D24/130, 131; 600/5, 356; 623/6.12;
606/107, 6.38

See application file for complete search history.

(56) **References Cited**

U.S. PATENT DOCUMENTS

5,873,879 A * 2/1999 Figueroa et al. 606/107
6,312,433 B1 * 11/2001 Butts et al. 606/107
6,371,960 B2 * 4/2002 Heyman et al. 606/107
6,923,815 B2 * 8/2005 Brady et al. 606/107
D645,958 S * 9/2011 Assmann et al. D24/113
8,273,122 B2 * 9/2012 Anderson 623/6.12

8,435,289 B2 * 5/2013 Cole et al. 623/6.12
D700,321 S * 2/2014 Strong D24/130
2003/0139809 A1 * 7/2003 Worst et al. 623/6.12
2004/0199173 A1 * 10/2004 Meyer 606/107
2004/0243141 A1 * 12/2004 Brown et al. 606/107
2007/0050023 A1 * 3/2007 Bessiere et al. 623/6.12
2012/0221102 A1 * 8/2012 Tanaka et al. 623/6.12
2014/0135784 A1 * 5/2014 Maroscheck et al. 606/107
2014/0200588 A1 * 7/2014 Anderson et al. 606/107
2014/0257317 A1 * 9/2014 Safabash 606/107

* cited by examiner

Primary Examiner — Garth Rademaker

Assistant Examiner — Samantha Q Lawrence

(74) *Attorney, Agent, or Firm* — Squire Patton Boggs (US)
LLP

(57) **CLAIM**

The ornamental design for an intraocular lens implantation device, as shown and described.

DESCRIPTION

FIG. 1 is a front view of an intraocular lens implantation device showing our new design;
FIG. 2 is a rear view thereof;
FIG. 3 is a left side view thereof;
FIG. 4 is a right side view thereof;
FIG. 5 is a top plan view thereof;
FIG. 6 is a bottom view thereof;
FIG. 7 is a bottom-front perspective view thereof; and,
FIG. 8 is a bottom-rear perspective view thereof.
The dot-dot broken lines are directed to illustrative environmental subject matter that forms no part of the claimed design or to portions of the devices that form no part of the claimed design. The dash-dot broken lines represent bounds of the claimed design and do not themselves form a part of the claimed design.

1 Claim, 8 Drawing Sheets

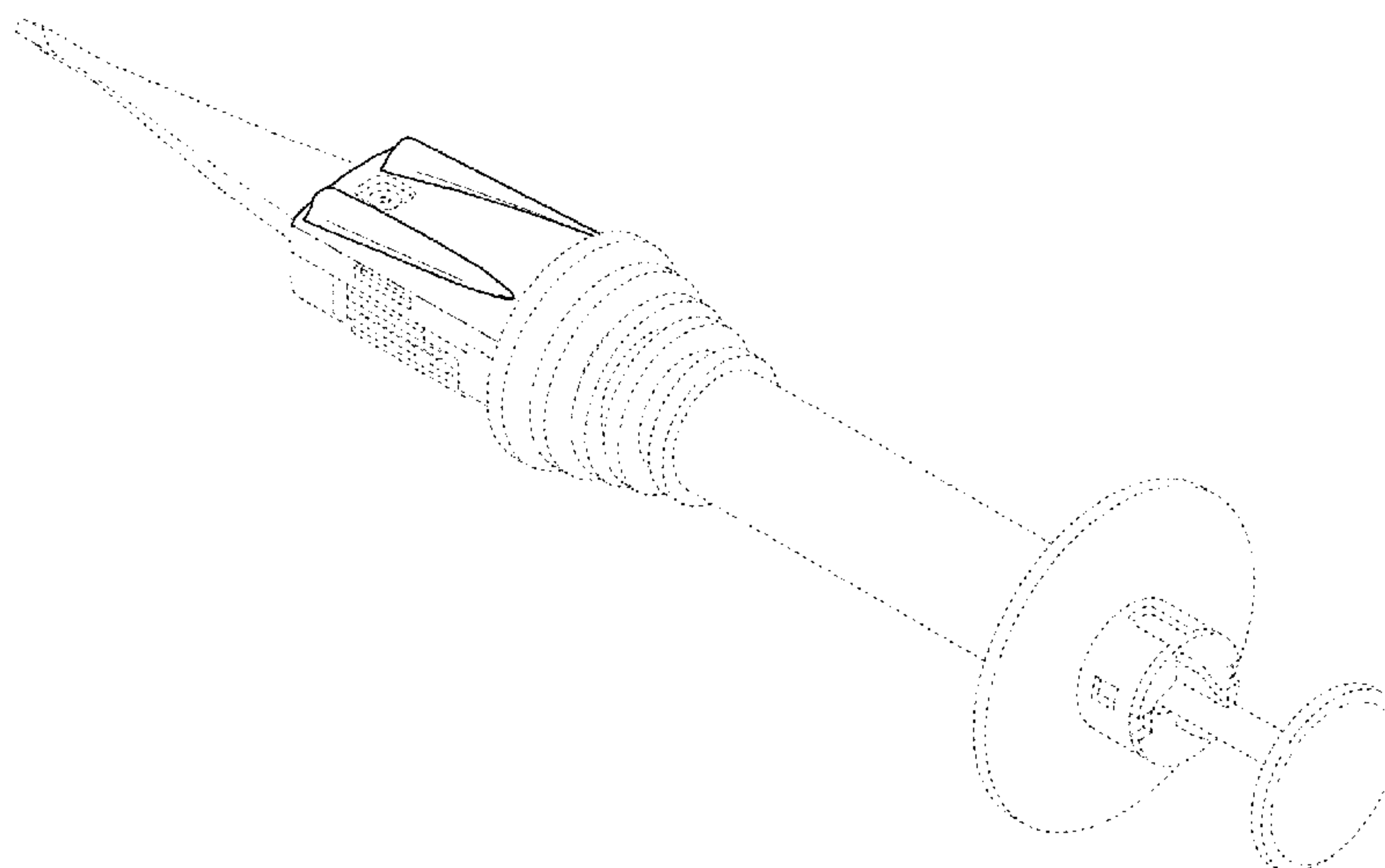


Fig. 1

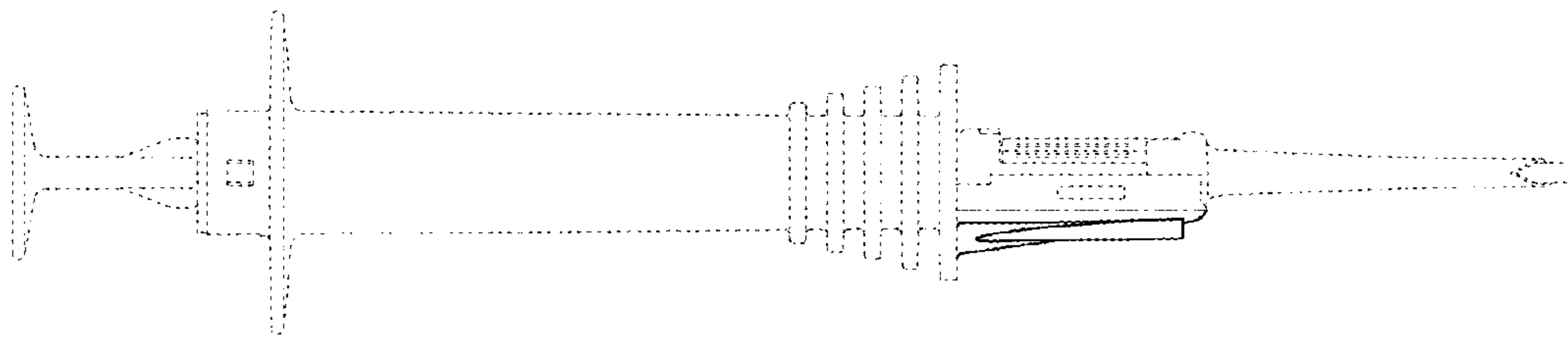


Fig. 2

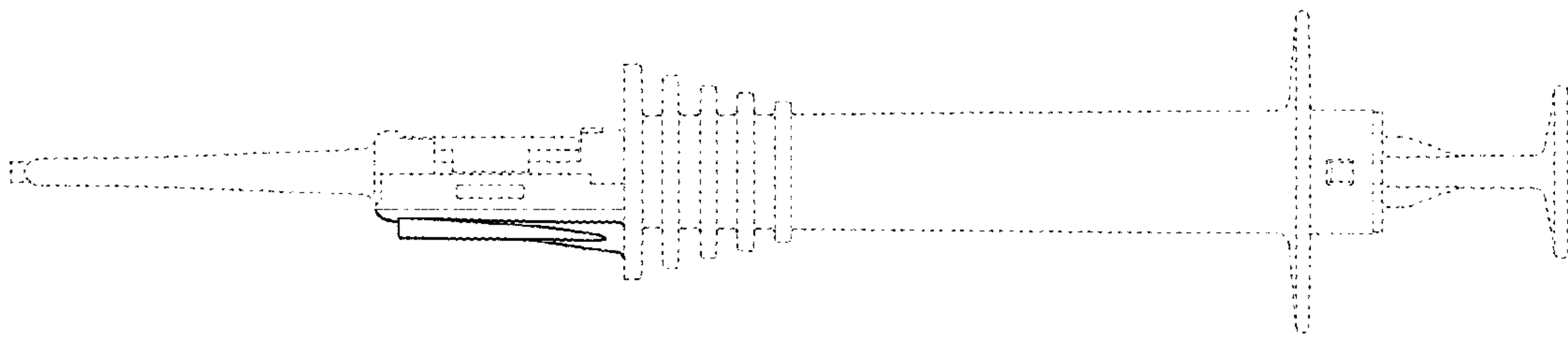


Fig. 3

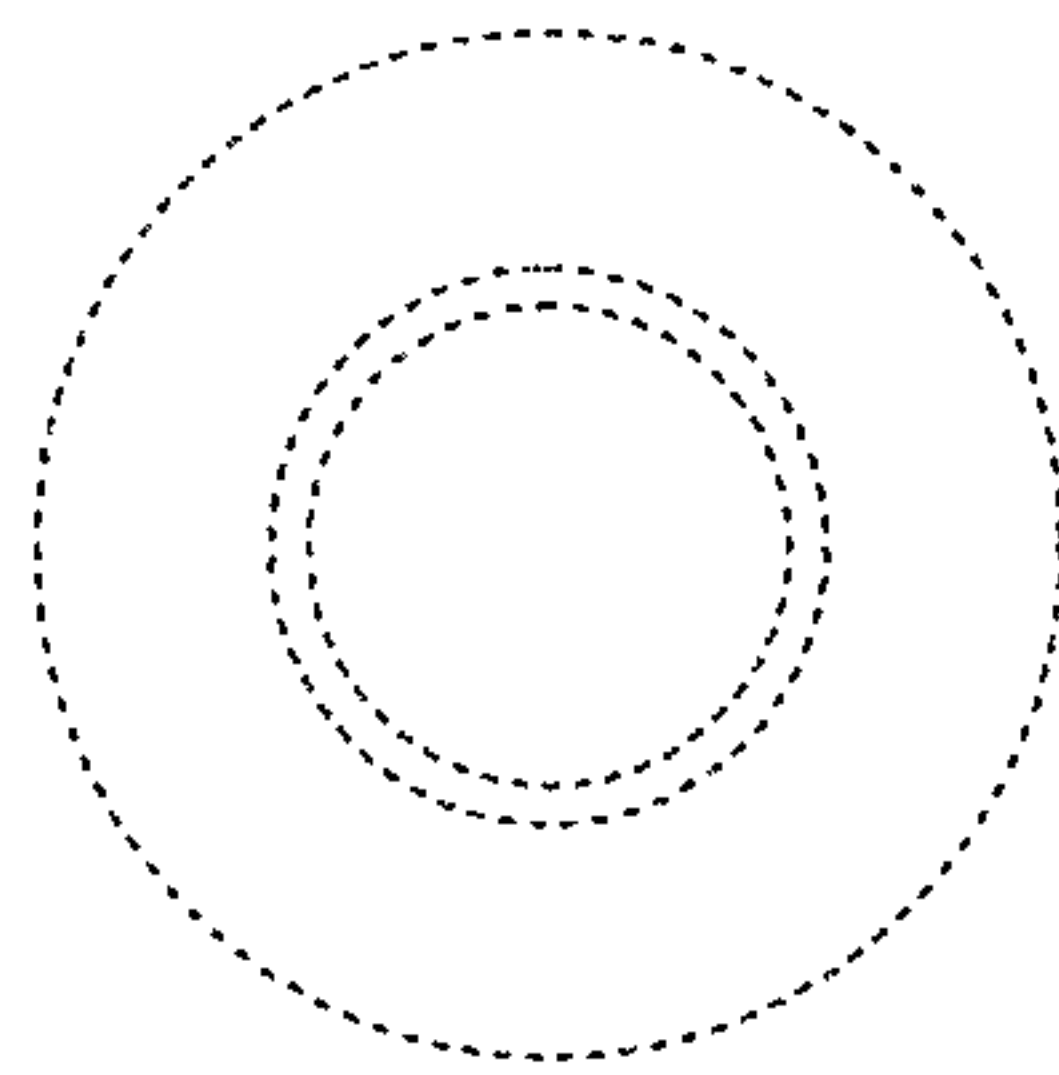


Fig. 4

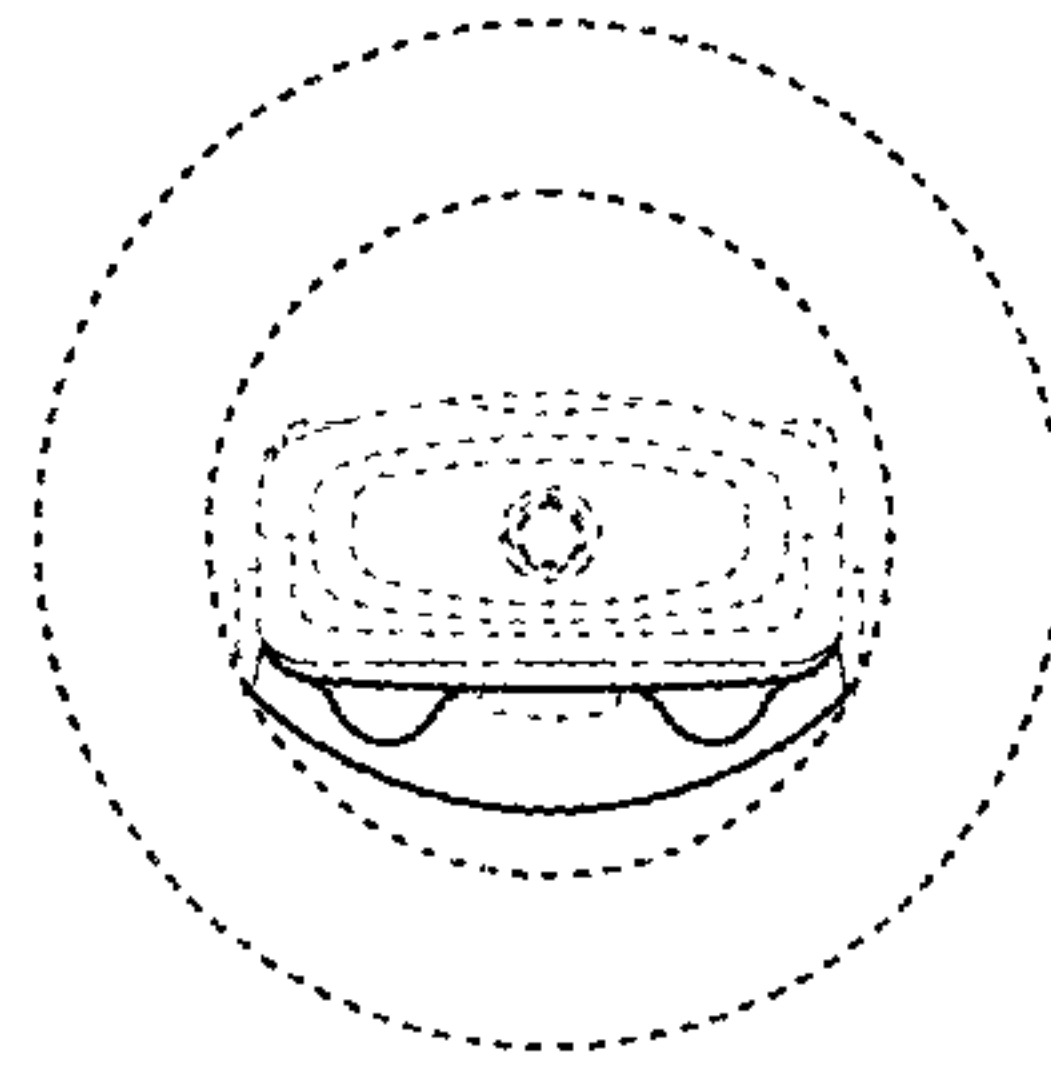


Fig. 5

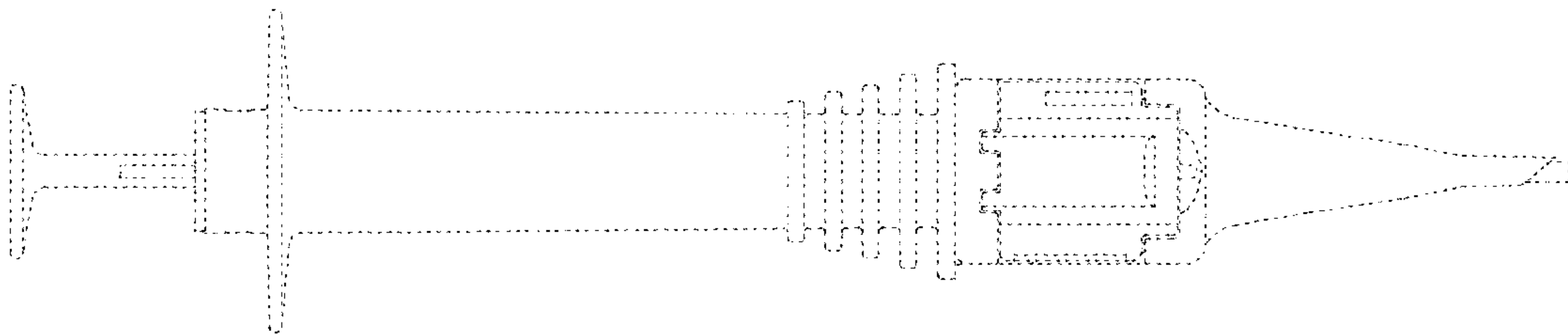


Fig. 6

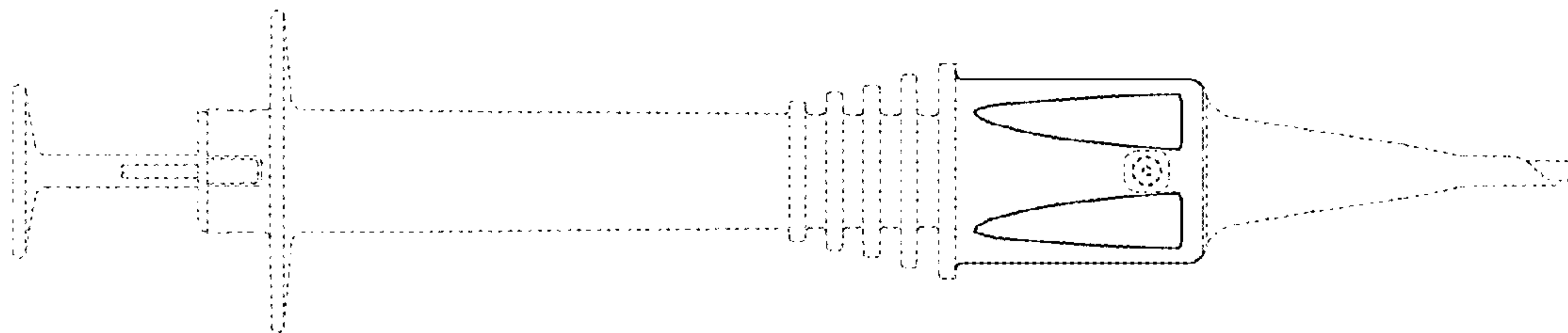


Fig. 7

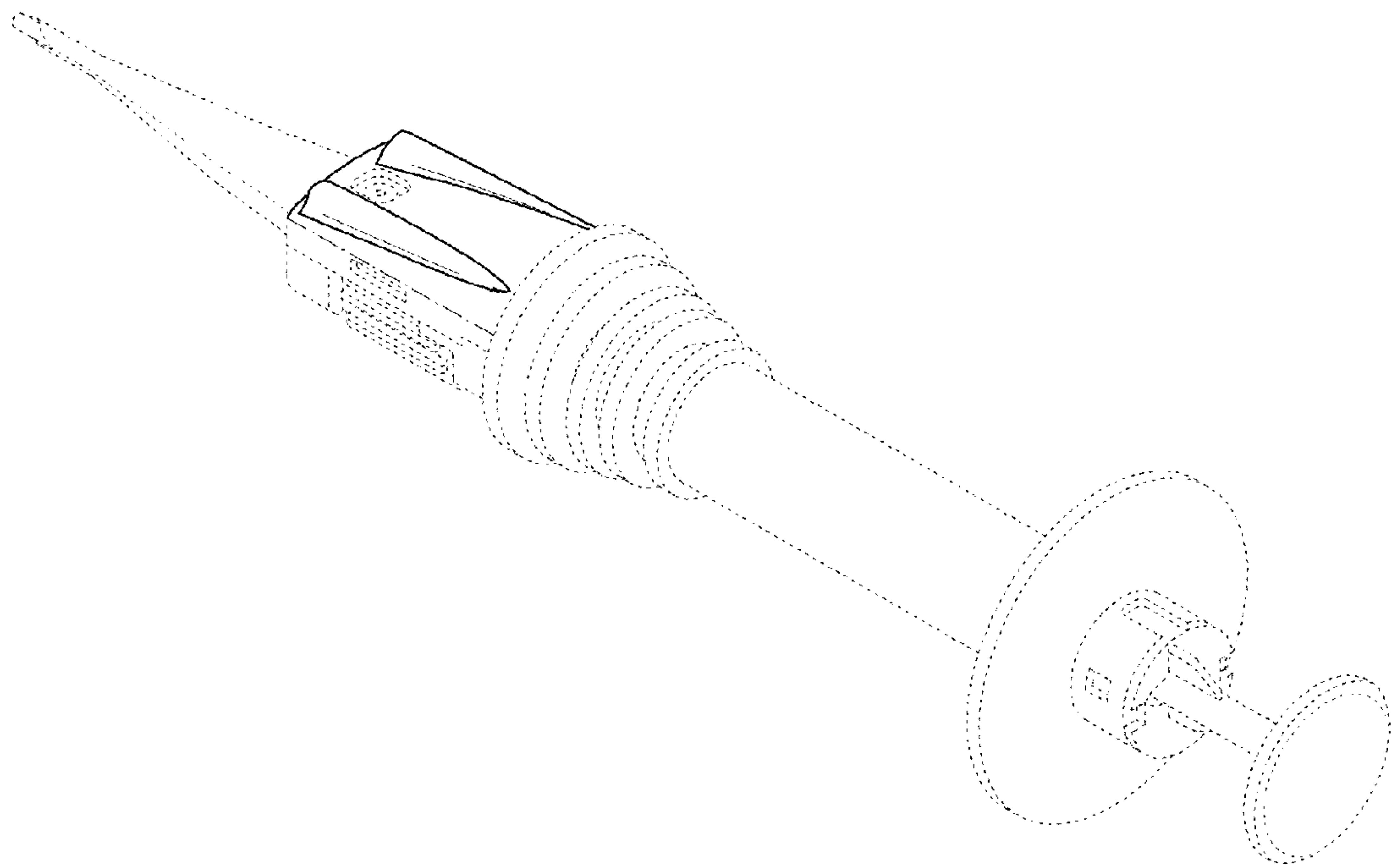


Fig. 8

