



US00D739009S

(12) **United States Design Patent**
Hogea et al.

(10) **Patent No.:** **US D739,009 S**

(45) **Date of Patent:** **** Sep. 15, 2015**

(54) **FRAME FOR A PATIENT INTERFACE ASSEMBLY**

- (71) Applicant: **KONINKLIJKE PHILIPS N.V.**,
Eindhoven (NL)
- (72) Inventors: **Mihai Hogea**, Pittsburgh, PA (US); **Eric Alan Higgins**, Cheswick, PA (US); **Robert Scott Dulabon**, Pittsburgh, PA (US); **Kevin Daniel Himes**, Irwin, PA (US); **Jeffrey Huth**, Delmont, PA (US); **Matthew Answine**, Apollo, PA (US); **Joshua Mark Greenberg**, Pittsburgh, PA (US); **Matthew Michael Julian**, Pittsburgh, PA (US)
- (73) Assignee: **KONINKLIJKE PHILIPS N.V.**,
Eindhoven (NL)
- (**) Term: **14 Years**

(21) Appl. No.: **29/471,894**

(22) Filed: **Nov. 6, 2013**

(30) **Foreign Application Priority Data**

May 7, 2013 (EM) 002233619-0001

(51) **LOC (10) Cl.** **29-02**

(52) **U.S. Cl.**
USPC **D24/110.1**

(58) **Field of Classification Search**
USPC D24/110-110.6; 128/206.12, 206.23, 128/206.24, 206.28, 205.27, 201.17, 201.22
CPC A61M 16/0622; A61M 16/0616; A61M 16/0816; A61M 16/08; A61M 16/0633; A61M 16/06; A61M 16/0666; A61M 2210/0618; A61M 16/0683

See application file for complete search history.

(56) **References Cited**

U.S. PATENT DOCUMENTS

D586,907	S	*	2/2009	Judson et al.	D24/110.1
D586,911	S	*	2/2009	McAuley et al.	D24/110.5
7,624,735	B2	*	12/2009	Ho et al.	128/207.11
D653,748	S	*	2/2012	Henry et al.	D24/110.5
D668,328	S	*	10/2012	Hill et al.	D24/110.4
D686,313	S	*	7/2013	Matula et al.	D24/110.1
D686,314	S	*	7/2013	Matula, Jr.	D24/110.1
D692,554	S	*	10/2013	Siew et al.	D24/110.4
D708,736	S	*	7/2014	Judson et al.	D24/110.5
D709,181	S	*	7/2014	Henry et al.	D24/110.1
D717,942	S	*	11/2014	Neff et al.	D24/127
D717,943	S	*	11/2014	Neff et al.	D24/127
D728,778	S	*	5/2015	Huth et al.	D24/110.1
2011/0146685	A1	*	6/2011	Allan et al.	128/205.25
2012/0090622	A1	*	4/2012	Chang	128/207.18
2012/0204880	A1	*	8/2012	Smith et al.	128/206.24
2013/0037030	A1	*	2/2013	Matula, Jr.	128/205.25
2013/0042871	A1	*	2/2013	Chang	128/205.25
2013/0152937	A1	*	6/2013	Jablonski	128/205.25
2013/0152938	A1	*	6/2013	Jablonski	128/205.25
2013/0186403	A1	*	7/2013	Chang	128/205.25
2013/0247915	A1	*	9/2013	Haibach	128/206.21

* cited by examiner

Primary Examiner — Deanna L Pratt

Assistant Examiner — Lilyana Bekic

(74) *Attorney, Agent, or Firm* — Michael W. Haas

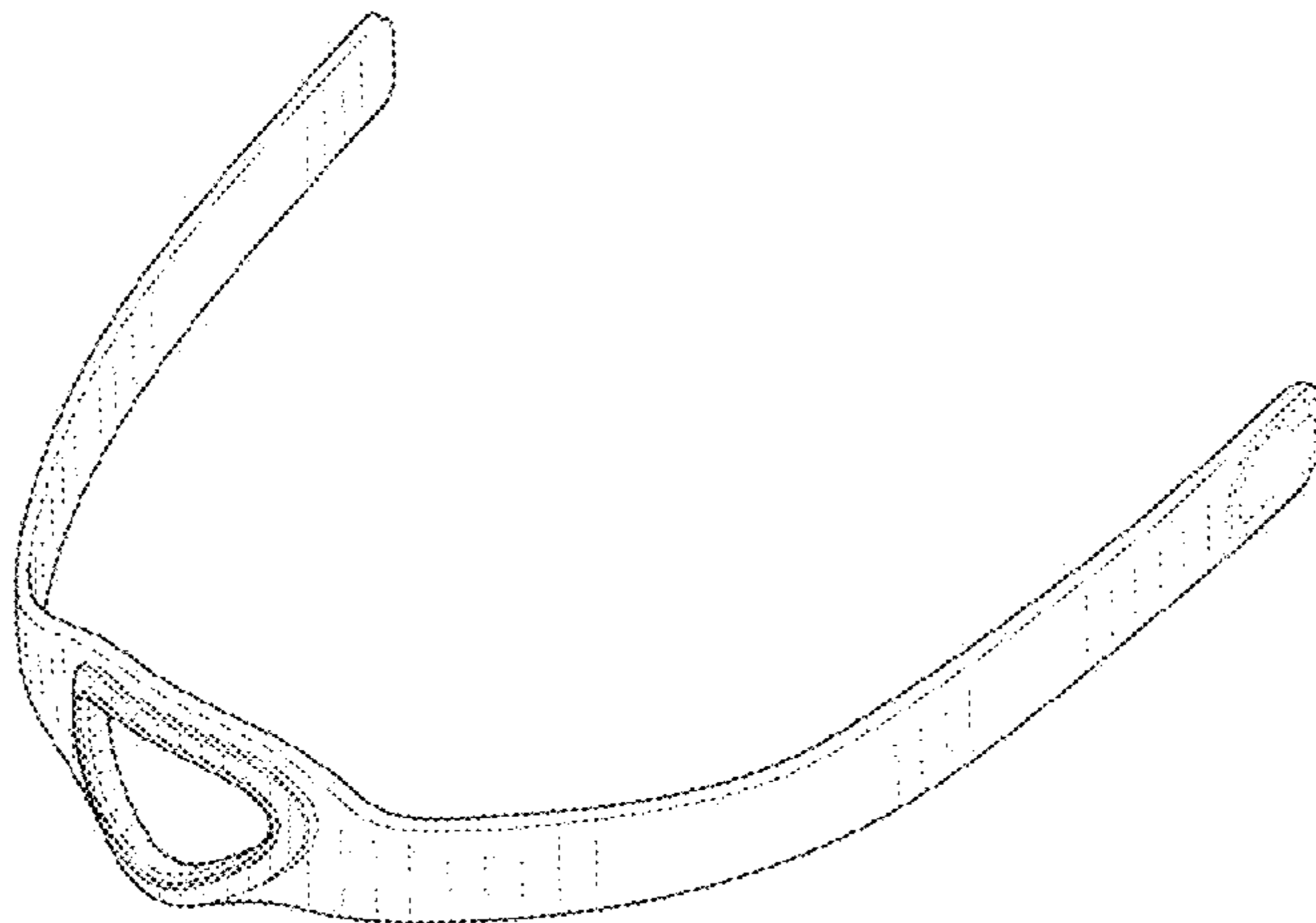
(57) **CLAIM**

The ornamental design for a frame for a patient interface assembly, as shown.

DESCRIPTION

FIG. 1 is a perspective view showing my design;
FIG. 2 is a front elevational view thereof;
FIG. 3 is a rear elevational view thereof;
FIG. 4 is a right side elevational view thereof;
FIG. 5 is a left side elevational view thereof;
FIG. 6 is a top plan view thereof; and,
FIG. 7 is a bottom plan view thereof.
The broken lines in the drawings illustrate portions of the frame for a patient interface assembly that forms no part of the claimed design.

1 Claim, 5 Drawing Sheets



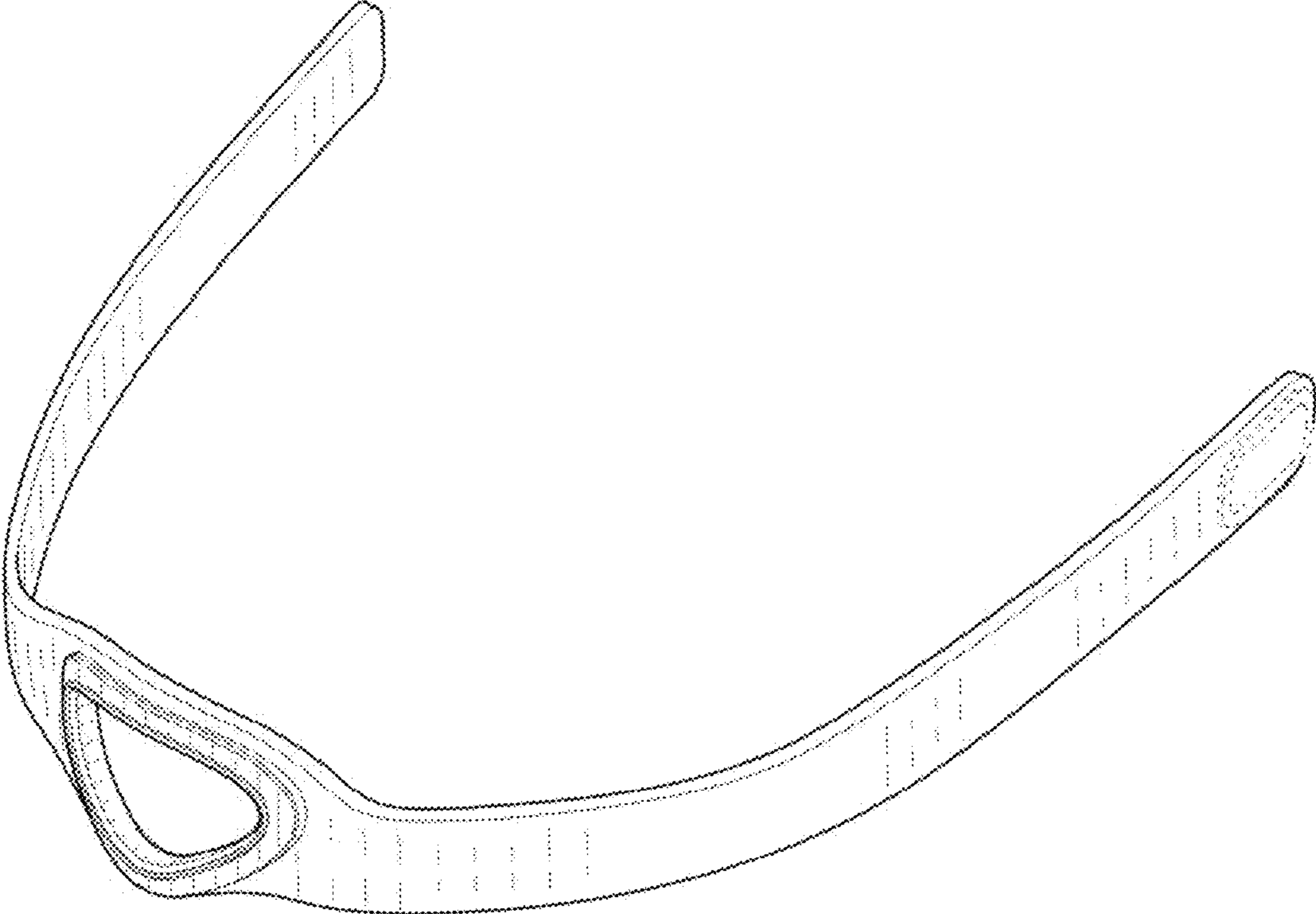


FIG. 1

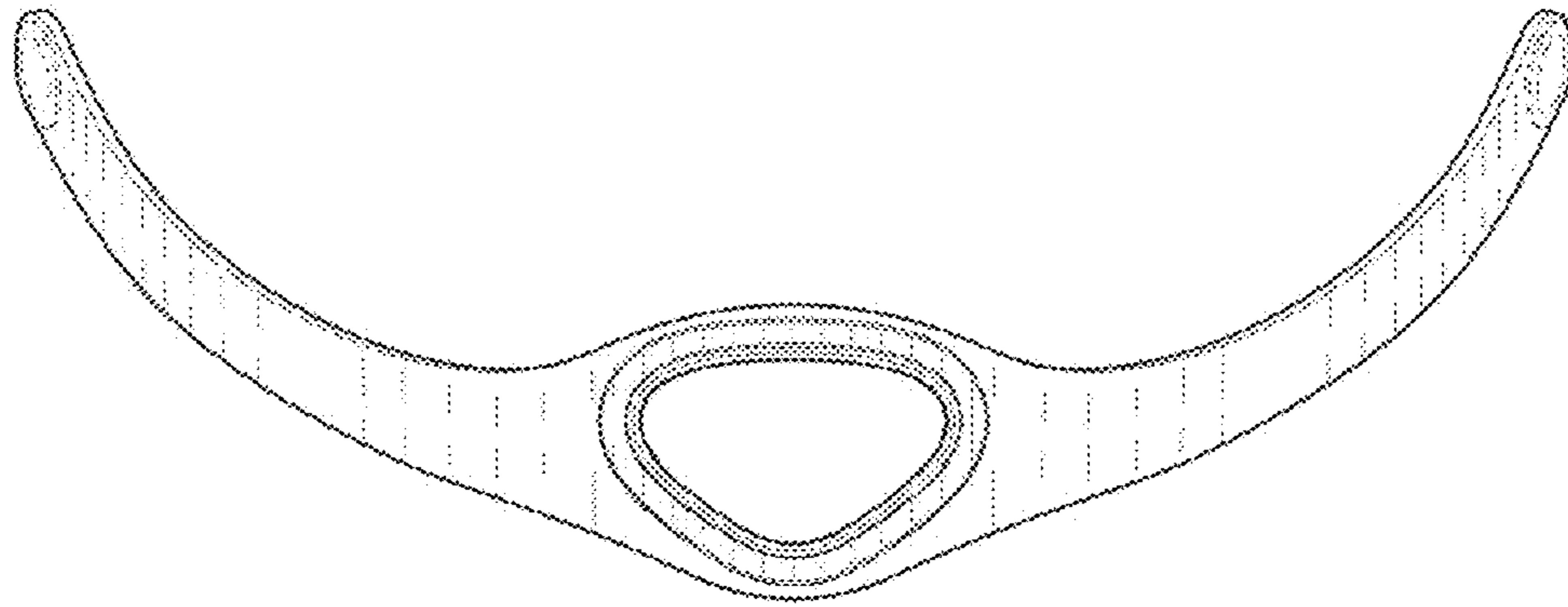


FIG. 2

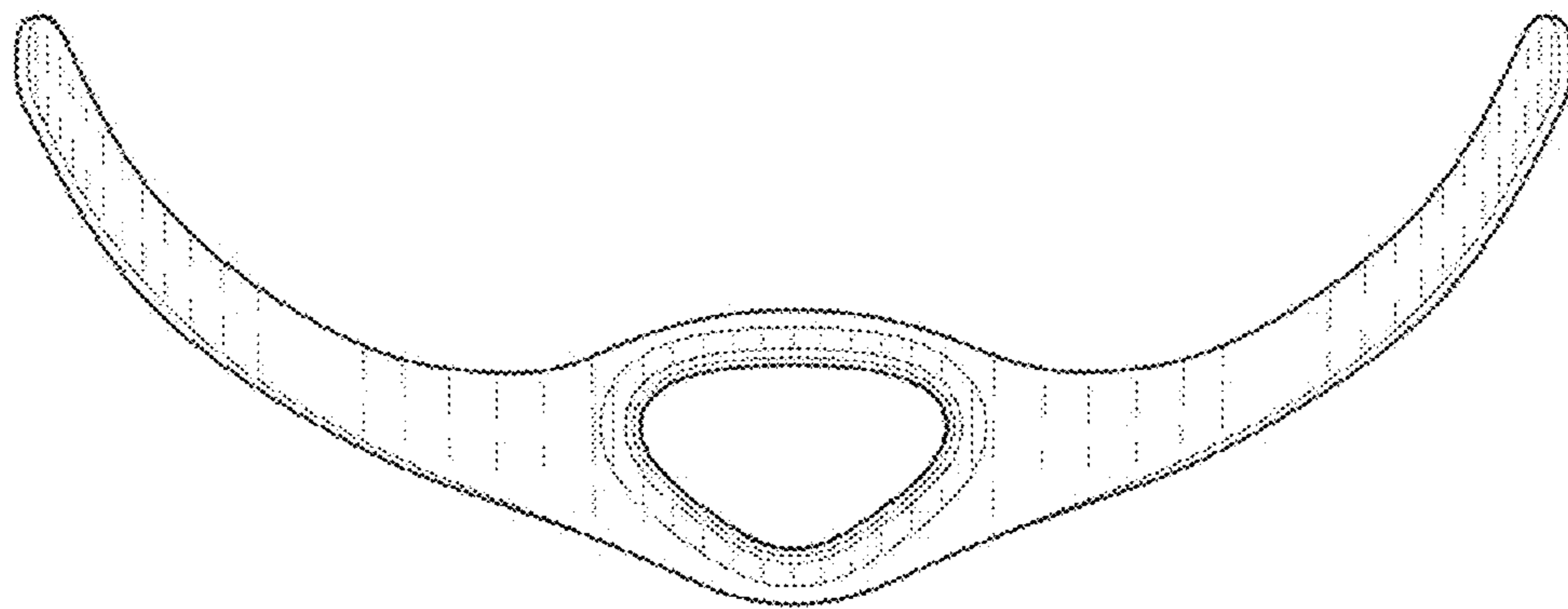


FIG. 3

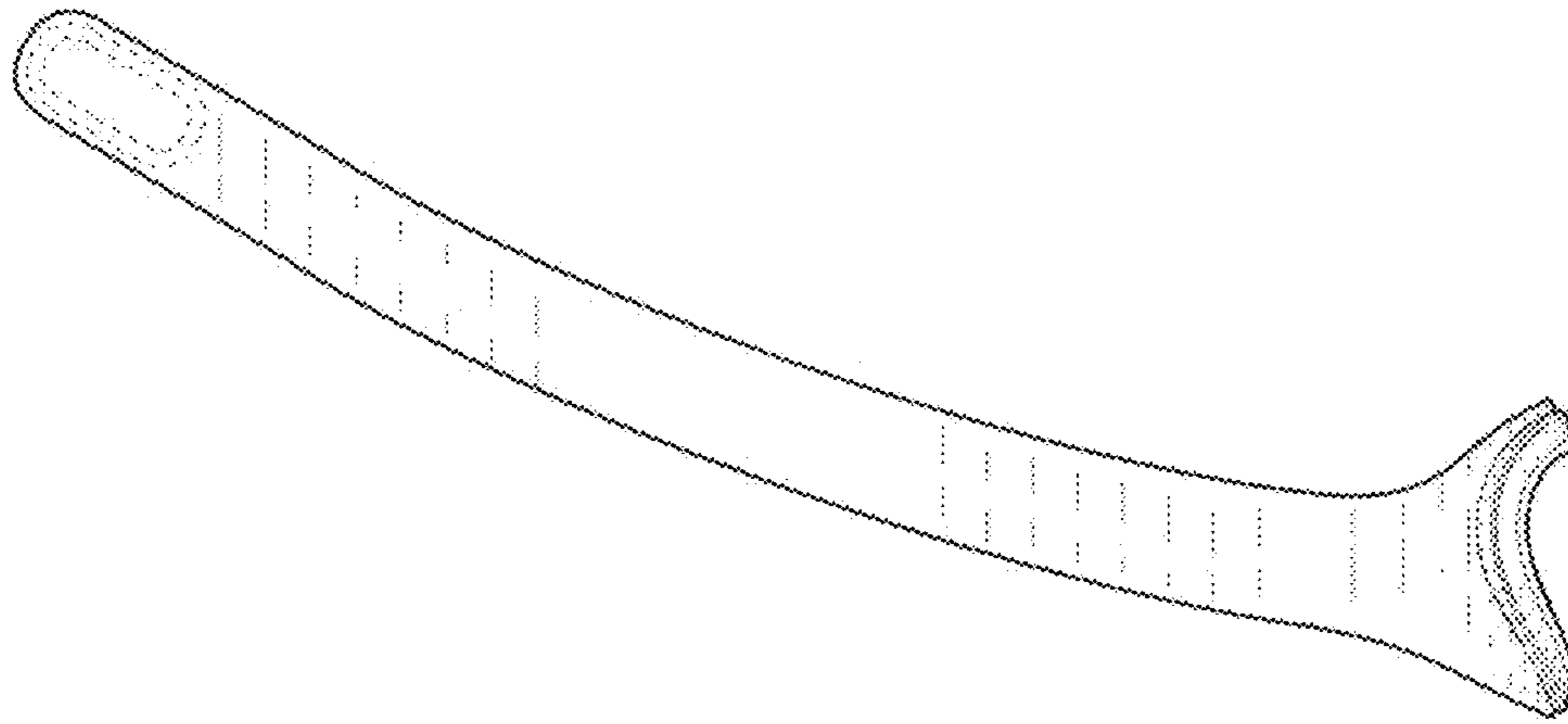


FIG. 4

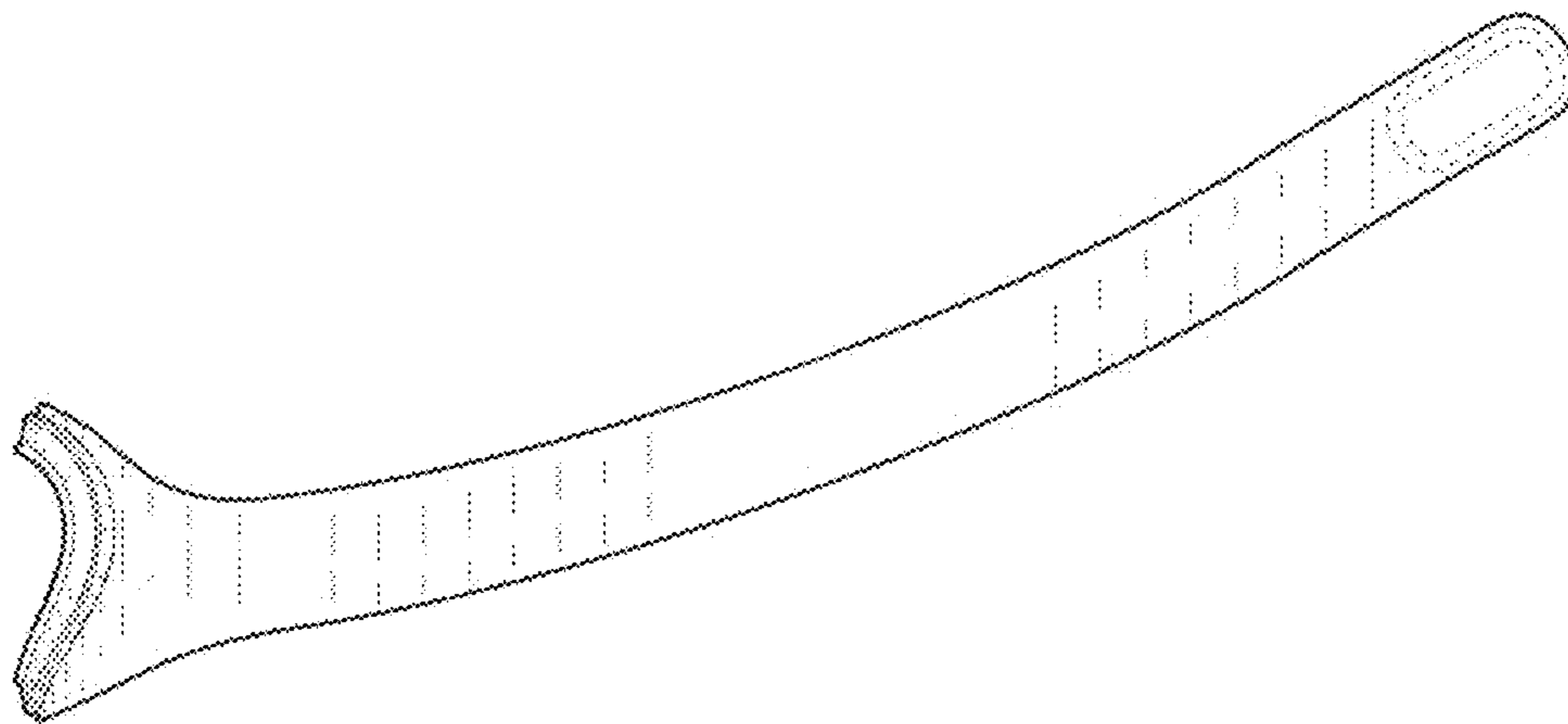


FIG. 5



FIG. 6

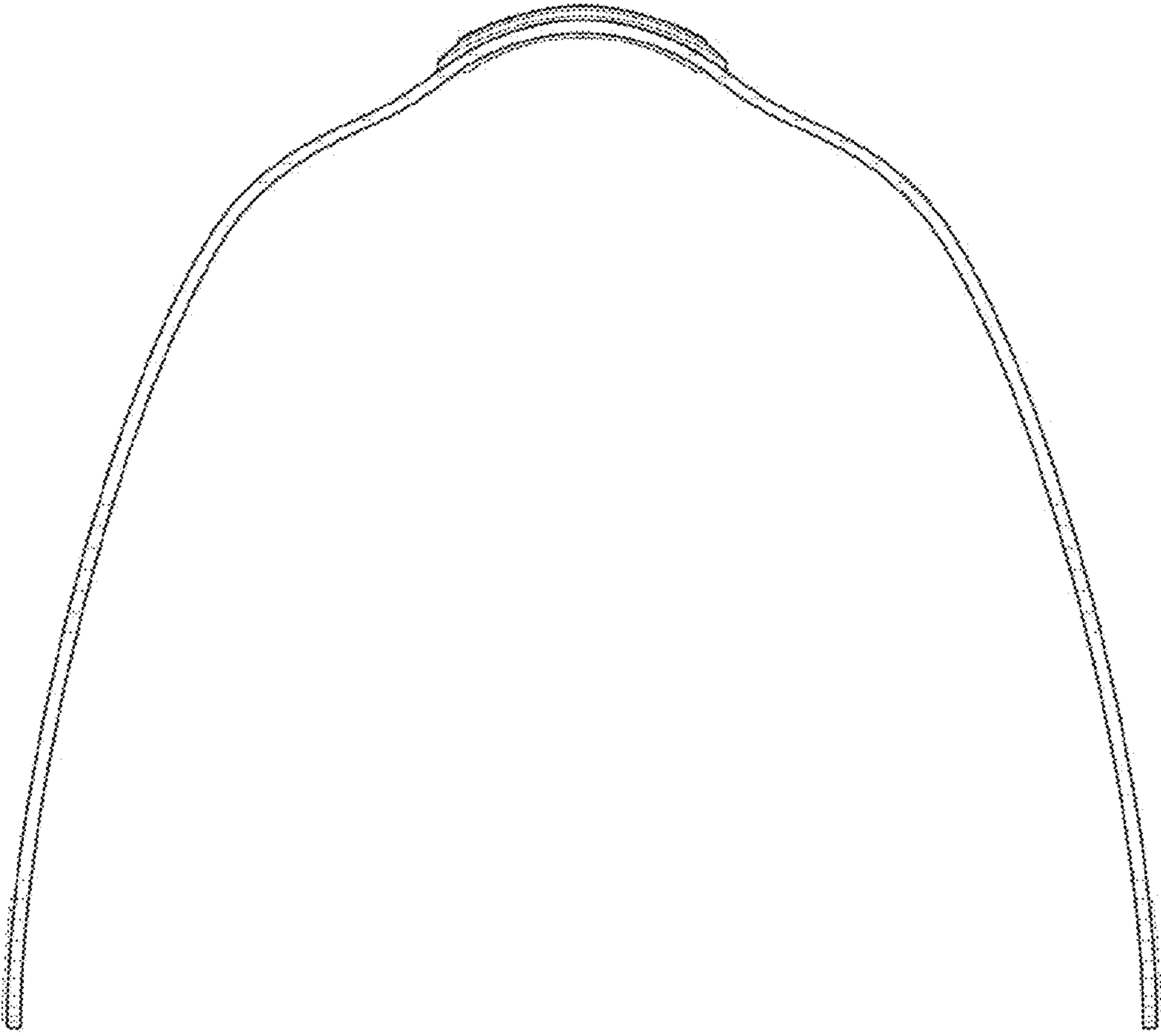


FIG. 7