



US00D739008S

(12) **United States Design Patent**
Curran et al.

(10) **Patent No.:** **US D739,008 S**
(45) **Date of Patent:** **** Sep. 15, 2015**

(54) **POWERED AIR PURIFYING RESPIRATOR
UNIT COVER**

(71) Applicant: **3M INNOVATIVE PROPERTIES
COMPANY**, St. Paul, MN (US)

(72) Inventors: **Desmond T. Curran**, Nevilles Cross
(GB); **Andrew Murphy**, Binchester
Moor (GB); **Christopher N. Findlay**,
Wheatley Hill (GB)

(73) Assignee: **3M Innovative Properties Company**,
St. Paul, MN (US)

(**) Term: **14 Years**

(21) Appl. No.: **29/484,946**

(22) Filed: **Mar. 14, 2014**

(51) **LOC (10) Cl.** **29-02**

(52) **U.S. Cl.**
USPC **D24/110**

(58) **Field of Classification Search**
USPC D24/107, 108, 110, 110.1-110.6, 111,
D24/164, 185, 186

CPC ... A61M 16/208; A61M 16/06; A61M 16/20;
A61M 2202/0208; A62B 18/00; A62B 18/02;
A62B 18/025; A62B 18/10; A62B 18/08;
A62B 23/02

See application file for complete search history.

(56) **References Cited**

U.S. PATENT DOCUMENTS

4,643,182	A	2/1987	Klein	
D449,099	S	10/2001	Juhlin	
D479,524	S *	9/2003	Nara	D14/258
D498,528	S	11/2004	Van Brunt	
D503,796	S	4/2005	Lithgow	
D504,945	S	5/2005	Van Brunt	
D507,832	S	7/2005	Yanniello	
D548,332	S	8/2007	Hitchcock	
D585,540	S	1/2009	Lithgow	
D599,007	S	8/2009	Stallard	
D602,582	S	10/2009	Pidgeon	

D609,803	S	2/2010	Ungar	
D614,286	S	4/2010	Lithgow	
D632,375	S	2/2011	Curran	
D646,379	S *	10/2011	Huh	D24/110
D650,479	S	12/2011	Row	
D654,070	S *	2/2012	Silva et al.	D14/257
D666,288	S	8/2012	Bainton	
D668,326	S	10/2012	Bainton	

(Continued)

FOREIGN PATENT DOCUMENTS

EM 000908736-001 4/2008

OTHER PUBLICATIONS

3M™ Adflo Respiratory Protection Systems product information.
3M™ Air-Mate™ Powered Air Purifying Respirator product infor-
mation.
3M™ Dustmaster™ Powered Air Turbo product information.
3M™ GVP-Series PAPR Assemblies product information.

(Continued)

Primary Examiner — Deanna L Pratt

Assistant Examiner — Lilyana Bekic

(74) *Attorney, Agent, or Firm* — Peter L. Olson

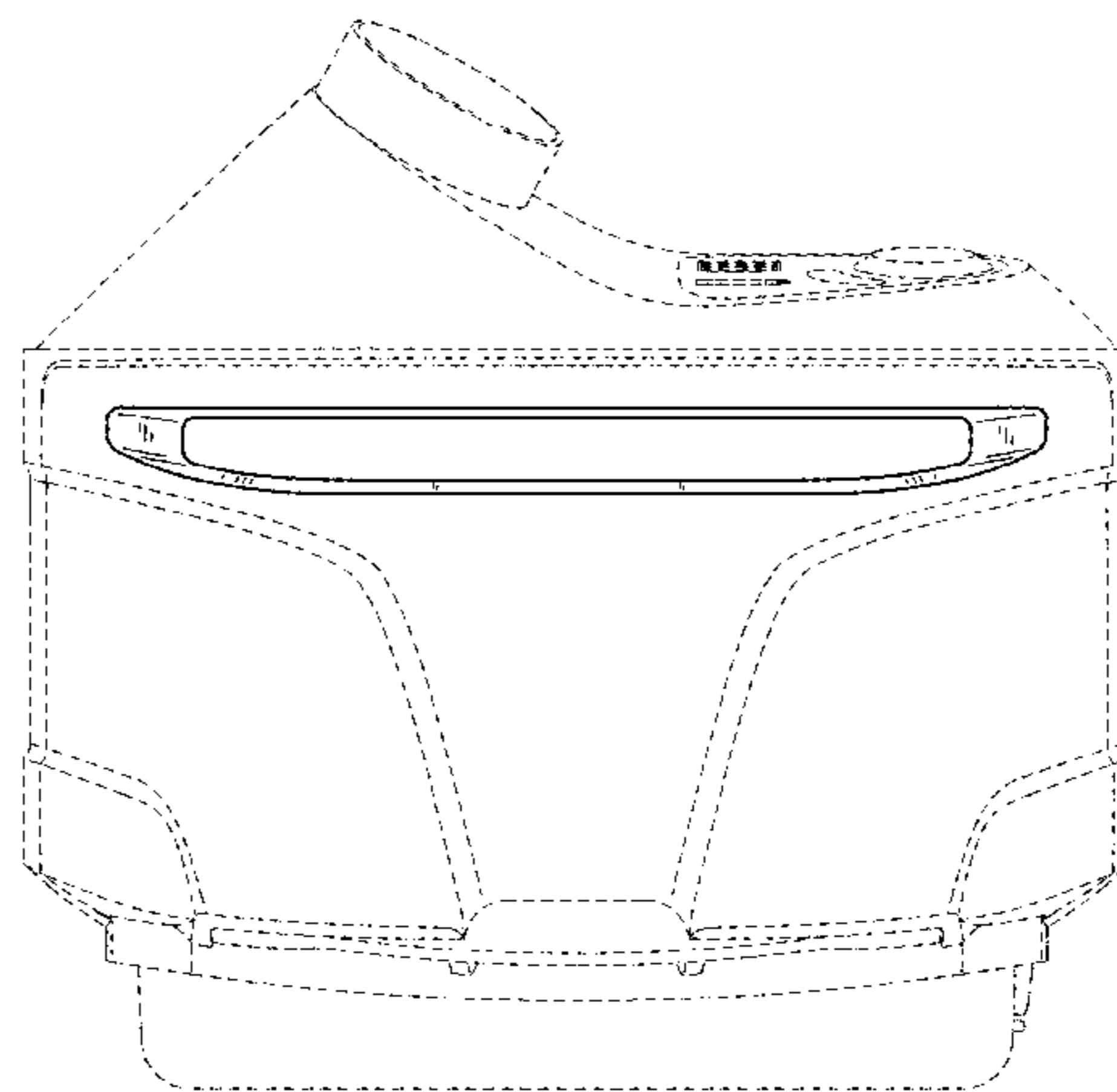
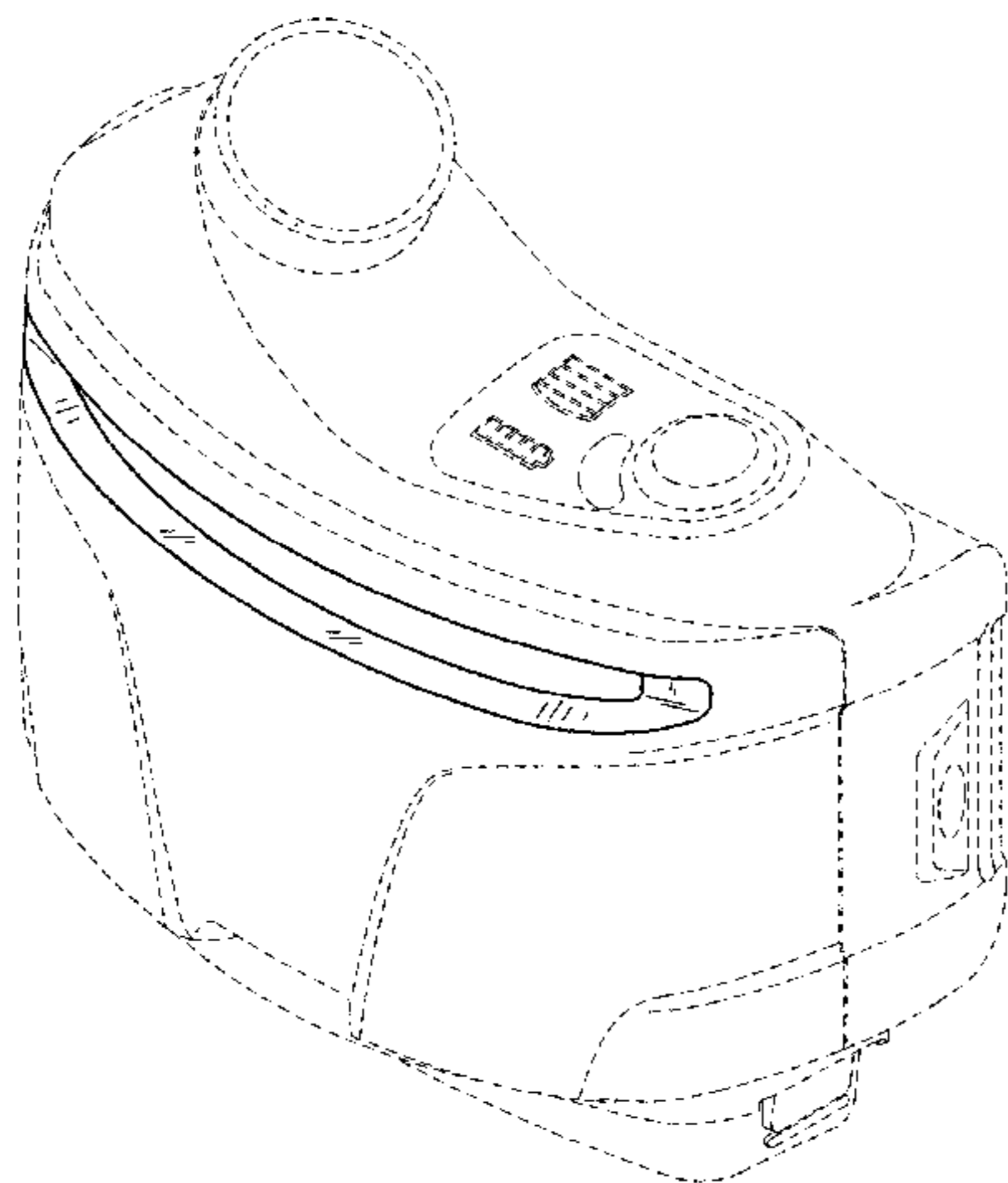
(57) **CLAIM**

The ornamental design for a powered air purifying respirator unit cover, as shown and described.

DESCRIPTION

FIG. 1 is a perspective view showing the new design for a powered air purifying respirator unit cover;
FIG. 2 is a front view thereof;
FIG. 3 is a back view thereof;
FIG. 4 is a top view thereof;
FIG. 5 is a bottom view thereof;
FIG. 6 is a left view thereof; and,
FIG. 7 is a right view thereof.
The broken line showing of the powered air purifying respi-
rator unit illustrates the environment of the claimed design
and forms no part thereof.

1 Claim, 3 Drawing Sheets



(56)

References Cited

U.S. PATENT DOCUMENTS

D680,641 S	4/2013	Dwyer	
D681,190 S	4/2013	Dwyer	
D684,256 S	6/2013	Menezes	
D690,413 S	9/2013	Abel	
D703,806 S *	4/2014	Hu et al.	D24/110
D710,493 S *	8/2014	Wu	D24/110
D710,494 S *	8/2014	Wu	D24/110
2005/0145251 A1	7/2005	Taylor et al.	

OTHER PUBLICATIONS

3M™ Jupiter™ Powered Air Turbo product information sheet dated Feb. 2007.
3M Unidad Turbo Jupiter™ product literature.
3M™ Versaflo™ Powered & Supplied Air Respiratory Protection Systems product literature *Work in World of Comfort*, 2009.
Sundström PAPR SR500EX product information.
Sundström Safety AB the SR 500 Series Powered Air Purifying Respiratory Protection product literature.

* cited by examiner

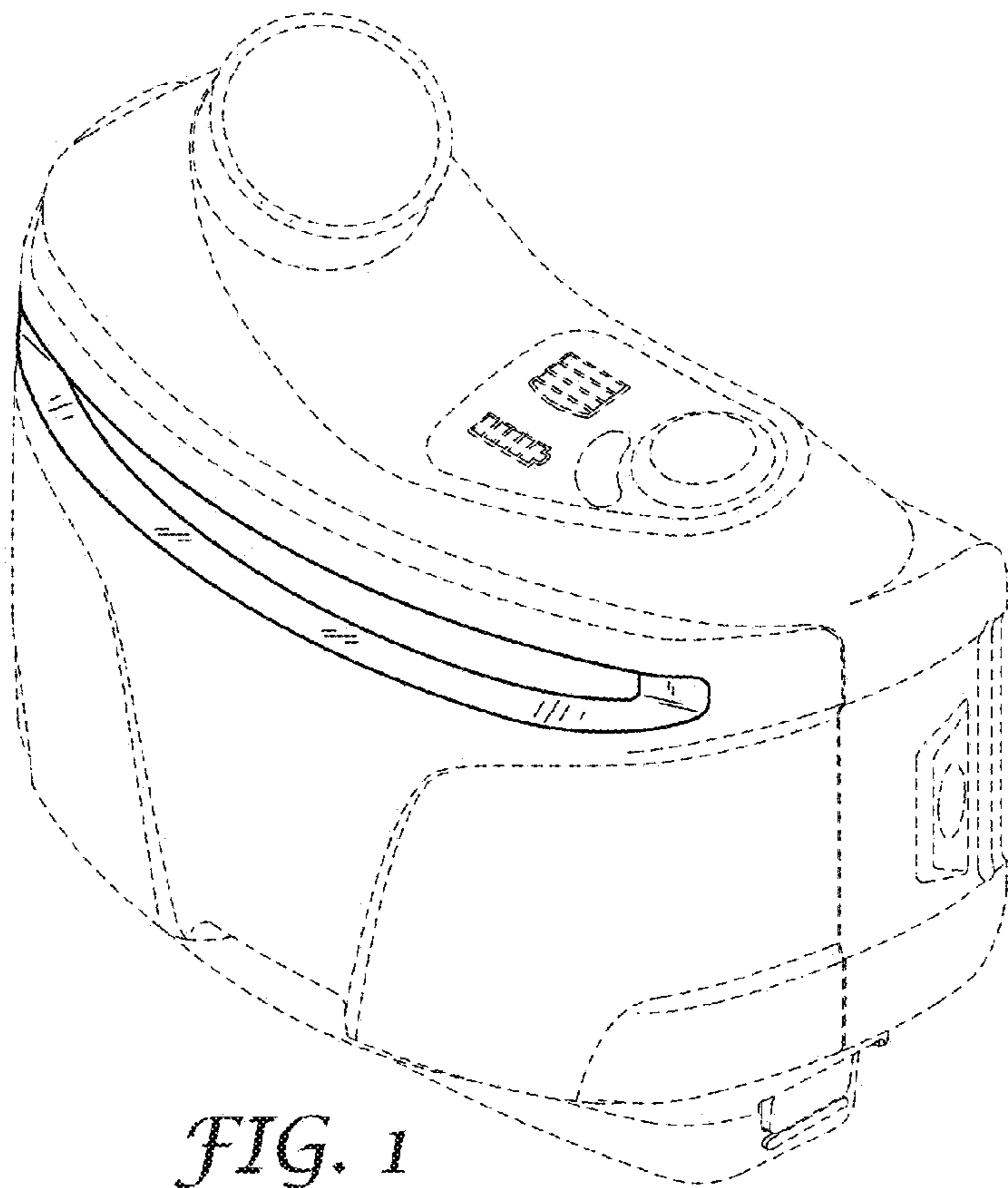


FIG. 1

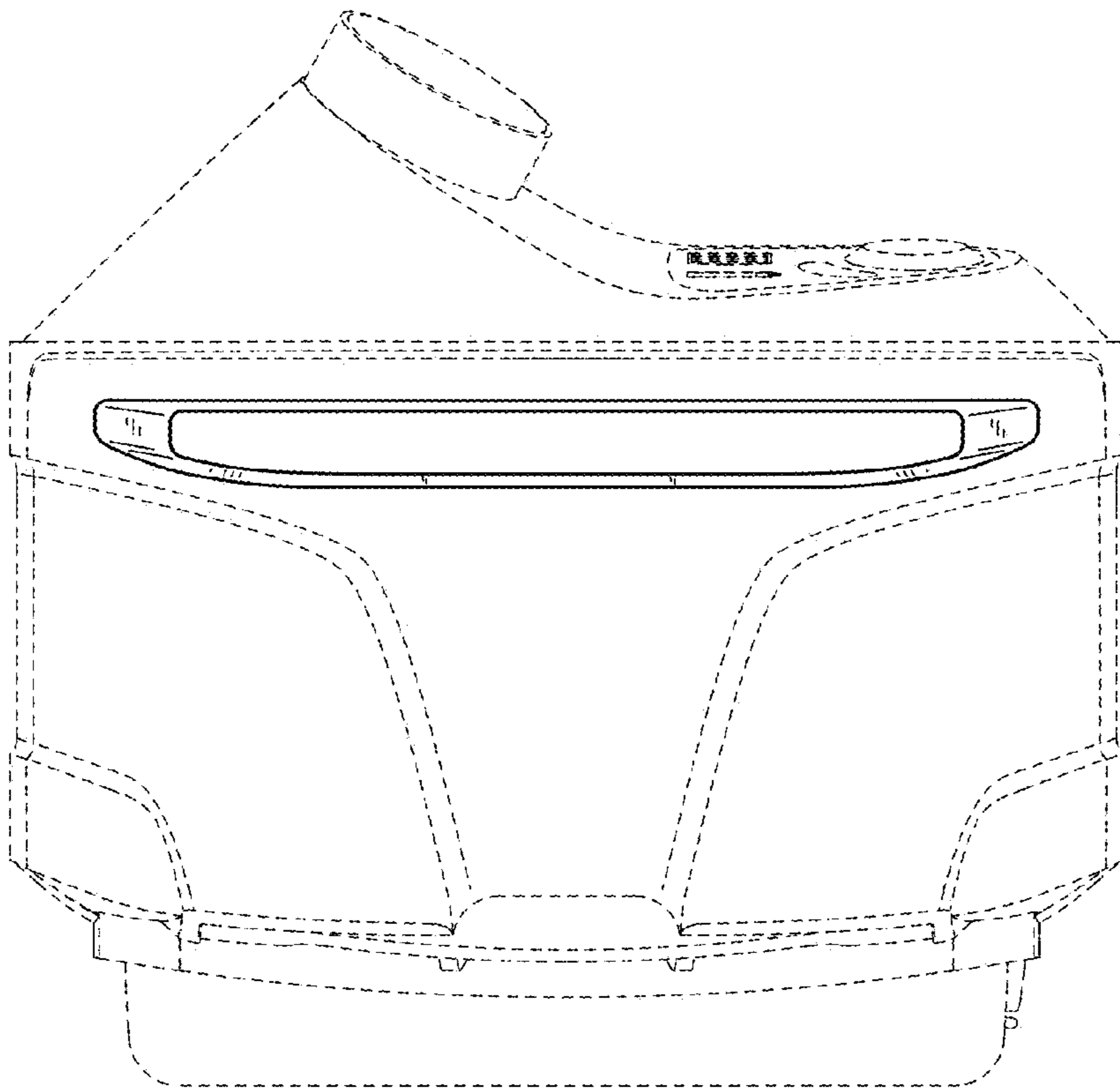


FIG. 2

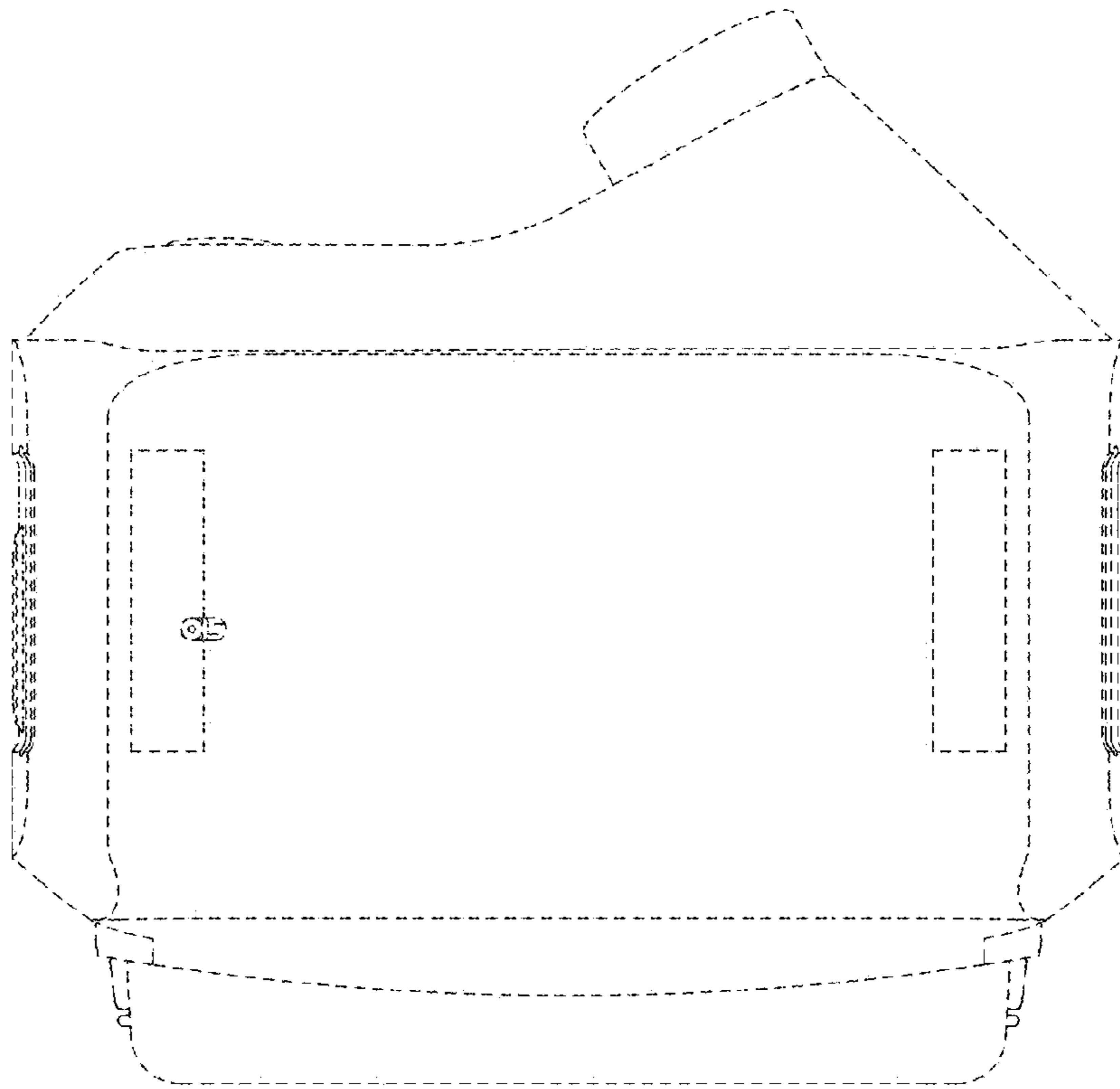


FIG. 3

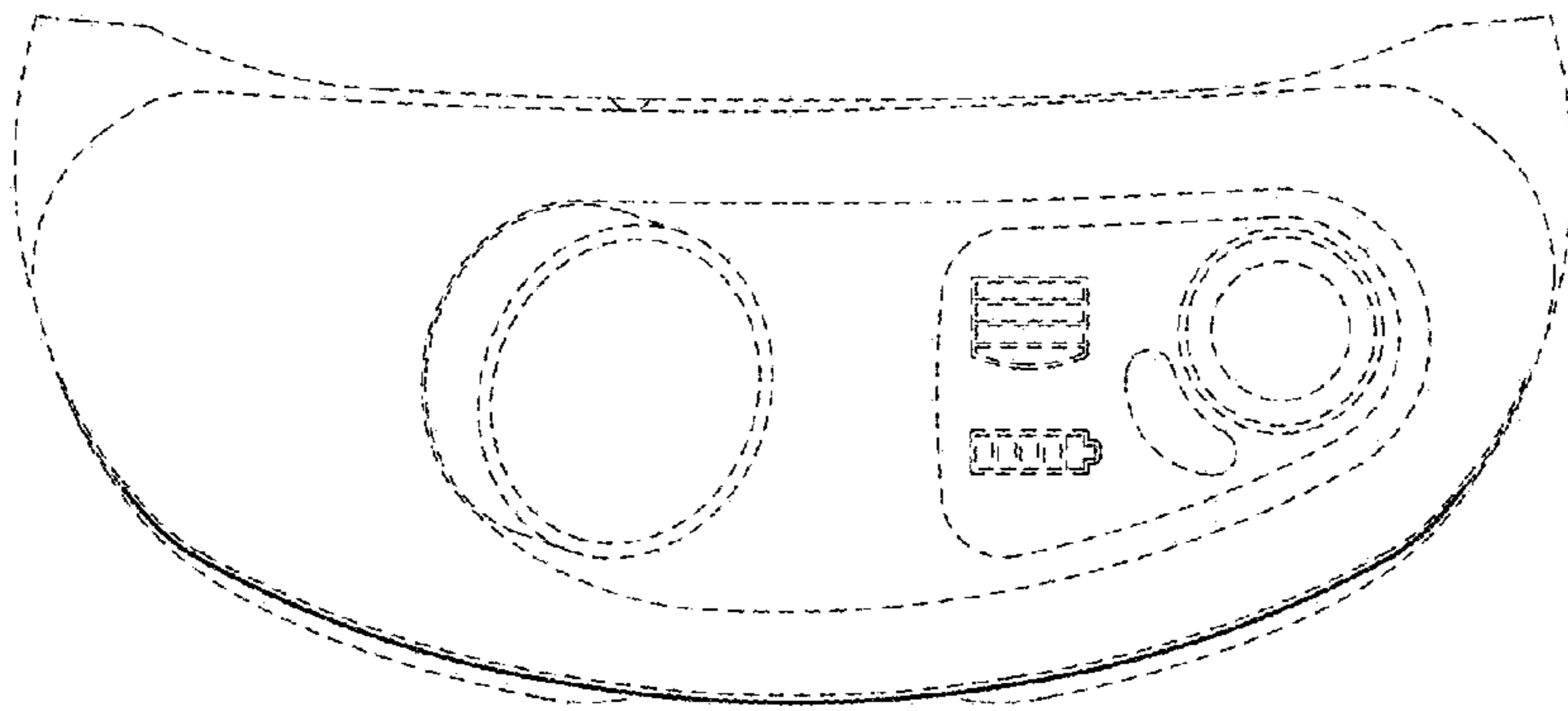


FIG. 4

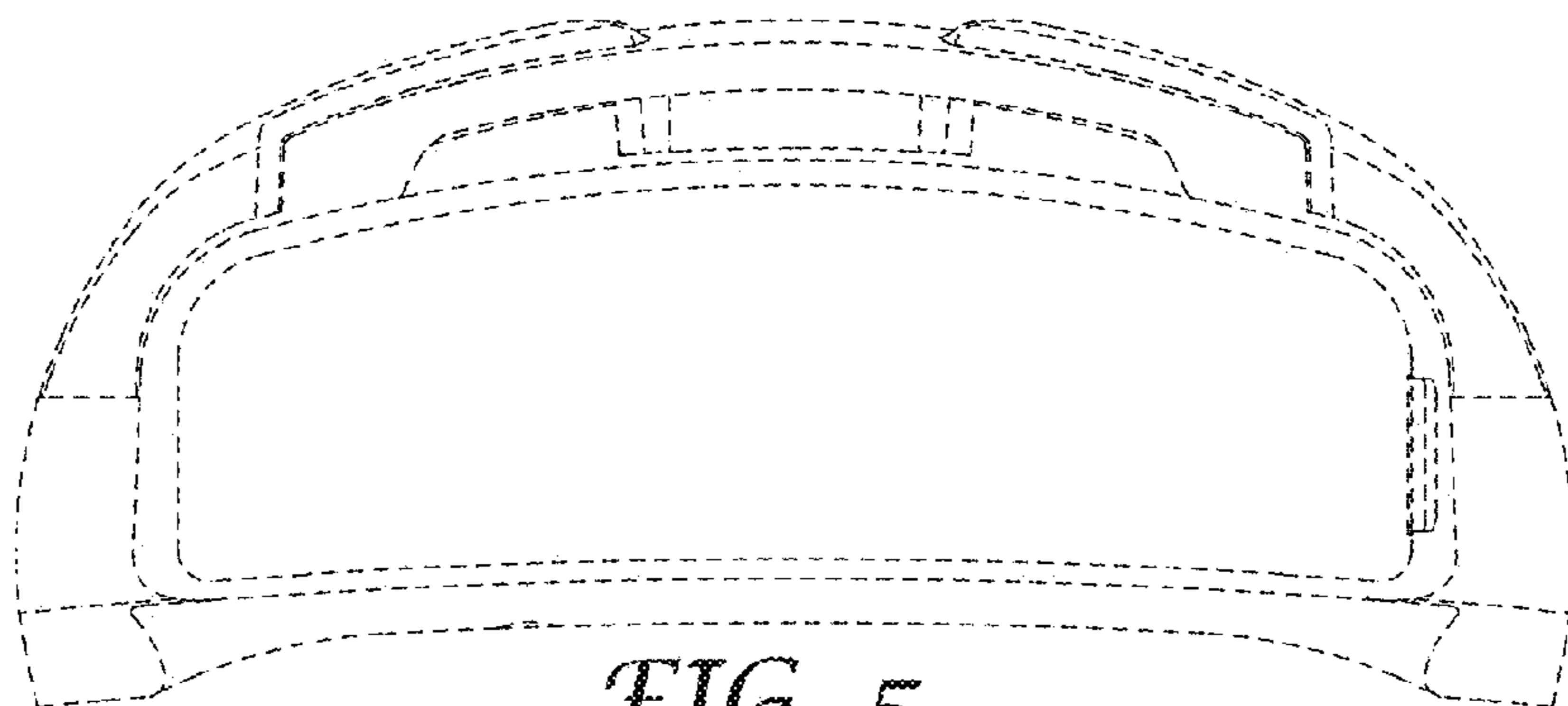


FIG. 5

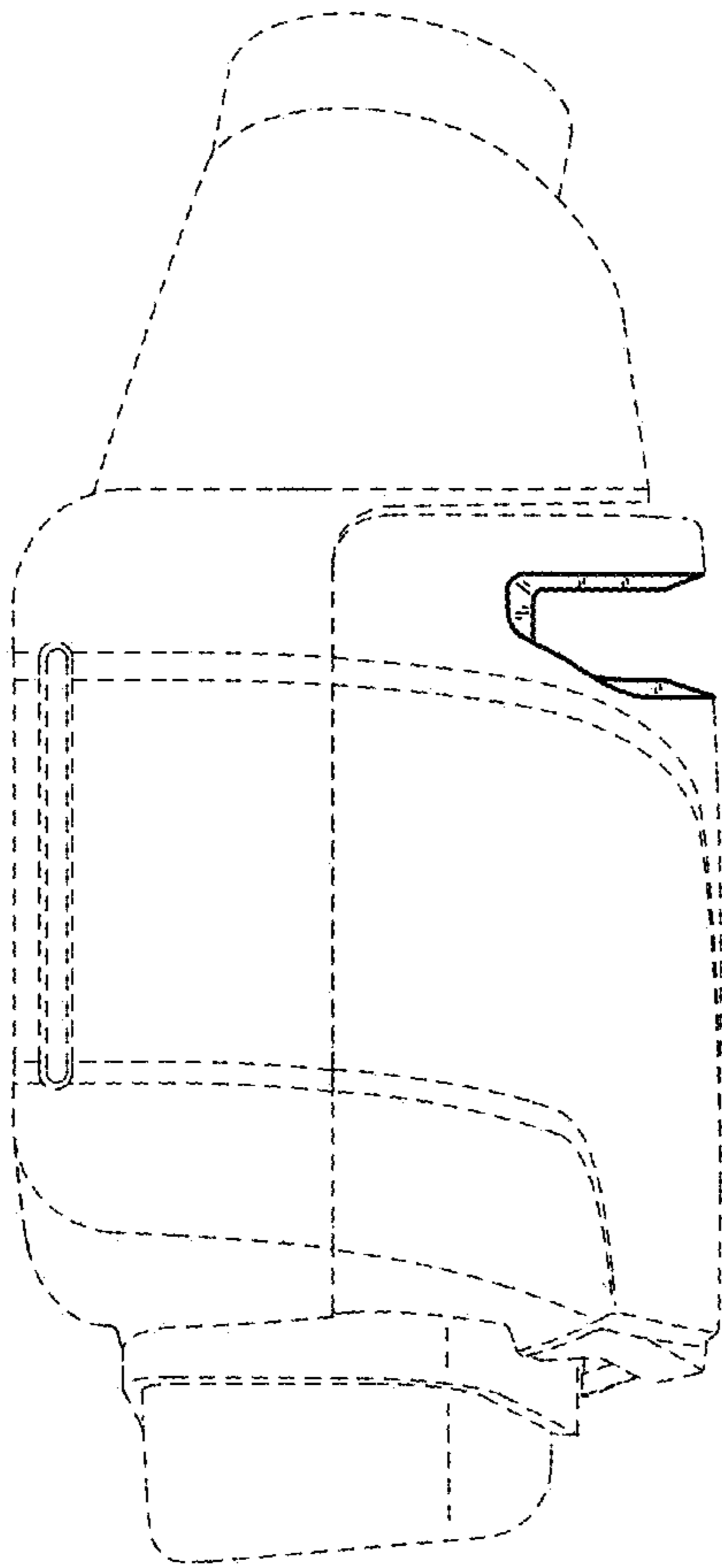


FIG. 6

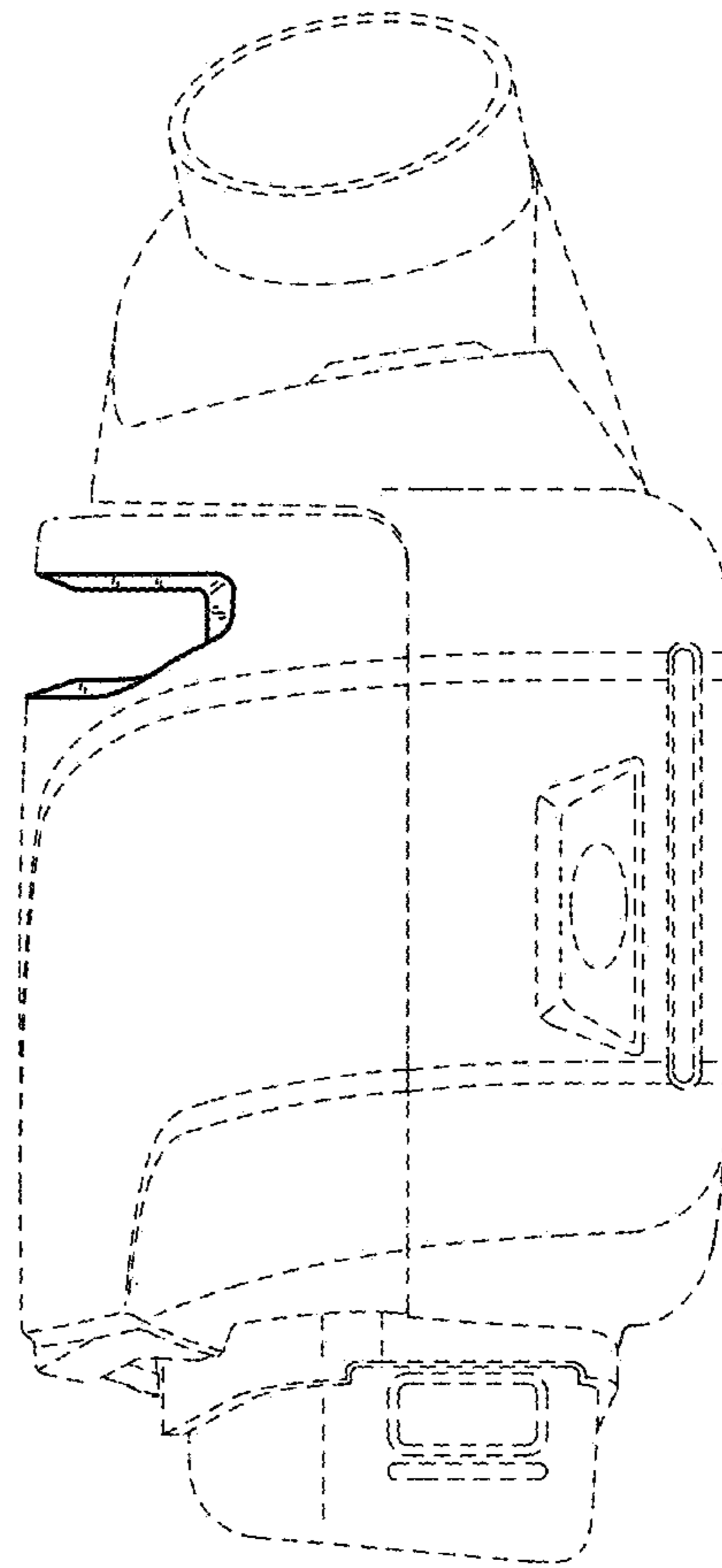


FIG. 7