



US00D739007S

(12) **United States Design Patent**  
**Kallman et al.**

(10) **Patent No.:** **US D739,007 S**  
(45) **Date of Patent:** **\*\* Sep. 15, 2015**

(54) **POWERED AIR PURIFYING RESPIRATOR  
UNIT CONTROL PANEL**

(71) Applicant: **3M INNOVATIVE PROPERTIES  
COMPANY**, St. Paul, MN (US)

(72) Inventors: **Bengt Kallman**, Leksand (SE); **Andrew  
Murphy**, Binchester Moor (GB);  
**Christopher N. Findlay**, Wheatley Hill  
(GB)

(73) Assignee: **3M Innovative Properties Company**,  
St. Paul, MN (US)

(\*\*) Term: **14 Years**

(21) Appl. No.: **29/484,939**

(22) Filed: **Mar. 14, 2014**

(51) **LOC (10) Cl.** ..... **29-02**

(52) **U.S. Cl.**  
USPC ..... **D24/110**

(58) **Field of Classification Search**  
USPC ..... D24/107, 108, 110, 110.1-110.6, 111,  
D24/164, 185, 186  
CPC ... A61M 16/208; A61M 16/06; A61M 16/20;  
A61M 2202/0208; A62B 18/00; A62B 18/02;  
A62B 18/025; A62B 18/10; A62B 18/08;  
A62B 23/02

See application file for complete search history.

(56) **References Cited**

**U.S. PATENT DOCUMENTS**

4,899,740	A	2/1990	Napolitano	
5,906,203	A	5/1999	Klockseth	
D421,298	S *	2/2000	Kenyon et al.	D24/110
D437,859	S	2/2001	Alvarez	
D467,335	S *	12/2002	Lithgow et al.	D24/110
D468,011	S *	12/2002	Lithgow et al.	D24/110
D476,077	S *	6/2003	Lithgow et al.	D24/110
D477,868	S *	7/2003	Lithgow et al.	D24/110
D487,311	S *	3/2004	Lithgow et al.	D24/110

D493,520	S *	7/2004	Bertinetti et al.	D24/110
D493,884	S *	8/2004	Virr et al.	D24/110
D497,203	S *	10/2004	Lithgow et al.	D24/110
D503,796	S *	4/2005	Lithgow et al.	D24/110
D544,598	S *	6/2007	Lithgow et al.	D24/110

(Continued)

**FOREIGN PATENT DOCUMENTS**

CN	1586349	3/2005
JP	2006-280505	10/2006

(Continued)

**OTHER PUBLICATIONS**

Bullard EVA Powered Air-Purifying Respirator webpage obtained from internet on Jun. 30, 2014: [www.bullard.com/europe/en/products/respiratory\\_protection/EVA/](http://www.bullard.com/europe/en/products/respiratory_protection/EVA/).

(Continued)

*Primary Examiner* — Deanna L Pratt

*Assistant Examiner* — Lilyana Bekic

(74) *Attorney, Agent, or Firm* — Peter L. Olson

(57) **CLAIM**

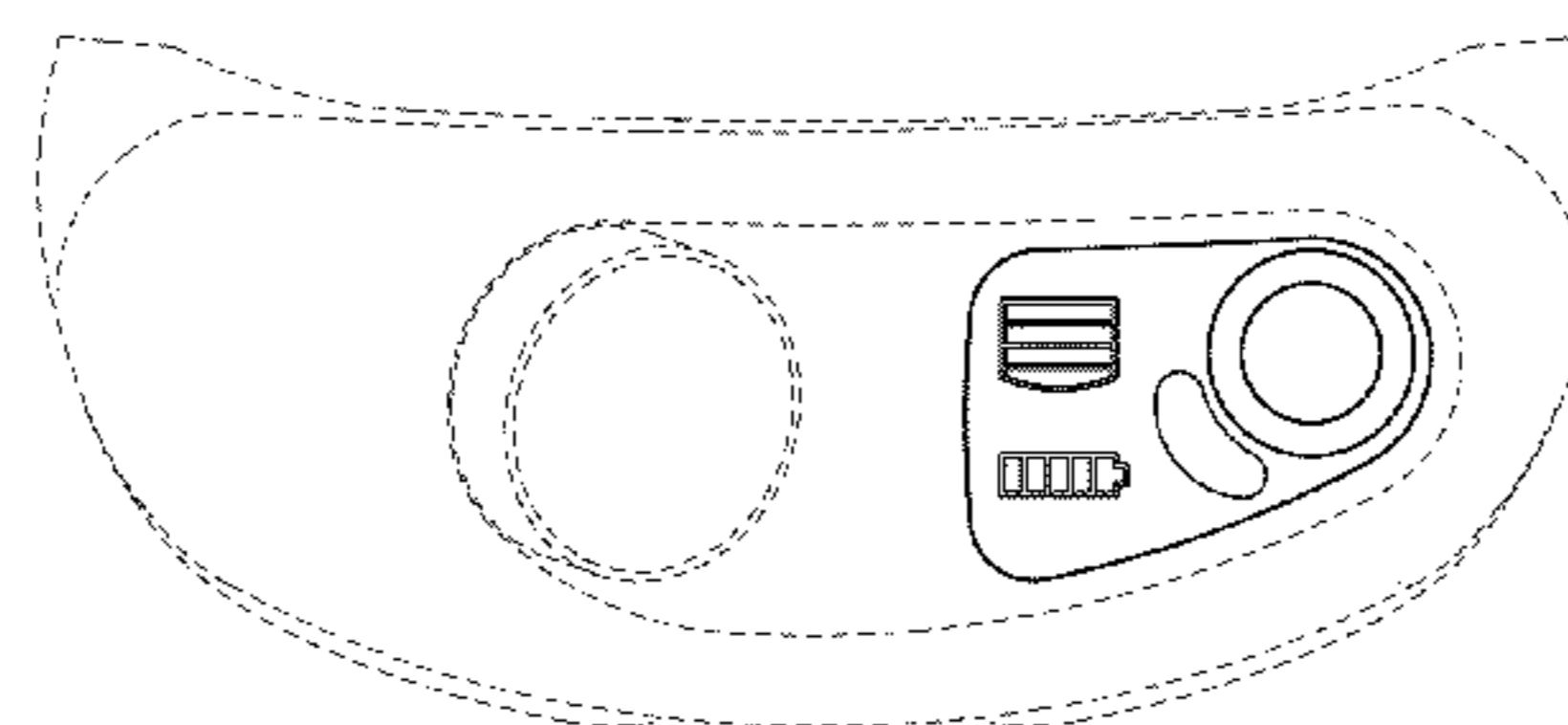
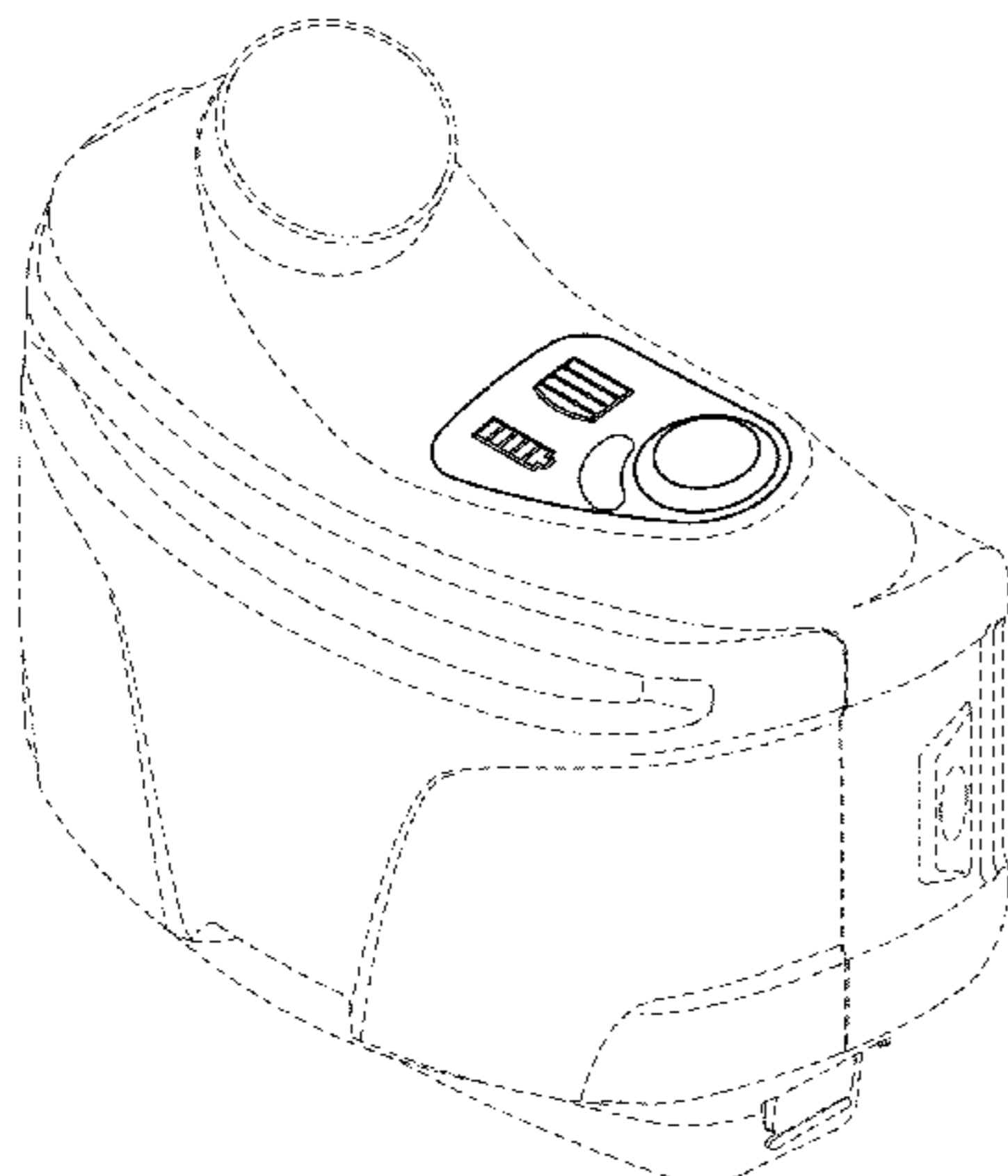
The ornamental design for a powered air purifying respirator unit control panel, as shown and described.

**DESCRIPTION**

FIG. 1 is a perspective view showing the new design for a powered air purifying respirator unit control panel;  
FIG. 2 is a front view thereof;  
FIG. 3 is a back view thereof;  
FIG. 4 is a top view thereof;  
FIG. 5 is a bottom view thereof;  
FIG. 6 is a left view thereof; and,  
FIG. 7 is a right view thereof.

The broken line showing of the powered air purifying respirator unit illustrates the environment of the claimed design and forms no part thereof.

**1 Claim, 3 Drawing Sheets**



(56)

References Cited

U.S. PATENT DOCUMENTS

7,252,088 B1 8/2007 Nieves-Ramirez  
 D560,795 S \* 1/2008 Lithgow et al. .... D24/110  
 D585,540 S \* 1/2009 Lithgow et al. .... D24/110  
 D591,783 S 5/2009 Matsuda  
 D613,323 S 4/2010 Jang  
 D614,286 S 4/2010 Lithgow  
 D623,677 S 9/2010 Hibi  
 D632,375 S 2/2011 Curran  
 D646,379 S 10/2011 Huh  
 D647,940 S 11/2011 Hibi  
 D658,524 S 5/2012 Palmer  
 D658,755 S \* 5/2012 Lithgow ..... D24/110  
 D675,730 S \* 2/2013 Lithgow et al. .... D24/110  
 D679,801 S 4/2013 Abel  
 D680,641 S 4/2013 Dwyer  
 D681,190 S 4/2013 Dwyer  
 D683,014 S 5/2013 Hu  
 D690,413 S 9/2013 Abel  
 D690,414 S \* 9/2013 Abel et al. .... D24/110  
 D710,493 S \* 8/2014 Wu ..... D24/110  
 D710,494 S \* 8/2014 Wu ..... D24/110  
 D727,511 S \* 4/2015 Dehmke et al. .... D24/164  
 2003/0029453 A1 2/2003 Smith  
 2004/0060558 A1 4/2004 Gradon  
 2004/0101412 A1 5/2004 Kallman  
 2004/0112381 A1 6/2004 Ujhazy  
 2004/0149133 A1 8/2004 McCombs  
 2007/0000494 A1 1/2007 Banner  
 2007/0028921 A1 2/2007 Banner  
 2009/0314295 A1 12/2009 Hatmaker  
 2011/0126713 A1 6/2011 Legare

FOREIGN PATENT DOCUMENTS

KR 515924 9/2005  
 WO 97/20592 6/1997  
 WO 99/47198 9/1999  
 WO 2006/012475 2/2006

OTHER PUBLICATIONS

CleanSpace2™ webpage obtained from the internet on Jun. 30, 2014: [www.paftec.com/europe/innovation/](http://www.paftec.com/europe/innovation/).  
 Kemper AutoflowXP webpage obtained from internet on Jun. 30, 2014: [www.kemper.eu/en/products/autoflow-xp-r-with-autodark-r-750\\_p8835](http://www.kemper.eu/en/products/autoflow-xp-r-with-autodark-r-750_p8835).  
 Malina Safety CleanAir® Powered Air Purifying Respirators Catalog obtained from internet Jun. 30, 2014: [www.clean-air.cz/wp-content/uploads/2013/11/Catalogue-CleanAIR-2014-4MB.pdf](http://www.clean-air.cz/wp-content/uploads/2013/11/Catalogue-CleanAIR-2014-4MB.pdf).  
 Miller PAPR webpage obtained from the internet on Jun. 30, 2014: [http://www.millerwelds.com/products/welding\\_protection/filtration/papr/#load-panel-titanium-9400i](http://www.millerwelds.com/products/welding_protection/filtration/papr/#load-panel-titanium-9400i).  
 MSA Optimair 3000 product information obtained from the internet on Jun. 30, 2014: [s7d9.scene7.com/is/content/minesafetyappliances/OptimAir-3000%20Bulletin%20-%20GB](http://s7d9.scene7.com/is/content/minesafetyappliances/OptimAir-3000%20Bulletin%20-%20GB).  
 Otos Airwing product webpage obtained from the internet on Jun. 30, 2014: [www.worksafety.co.nz/index.php?route=product/manufacturer/product&manufacturer\\_id=18](http://www.worksafety.co.nz/index.php?route=product/manufacturer/product&manufacturer_id=18).  
 Scott Safety Spirit webpage obtained from the internet on Jun. 30, 2014: [www.scottsafety.com/en/emea/Pages/ProductDetail.aspx?productdetail=spirit](http://www.scottsafety.com/en/emea/Pages/ProductDetail.aspx?productdetail=spirit).  
 Sundstrom Particle-filter Fan Unit SR700 webpage obtained from the internet on Jun. 30, 2014: <http://www.srsafety.com/products/flakt-sr-500sr-500-exsr-700/partikelfilterflakt-sr-700>.

\* cited by examiner

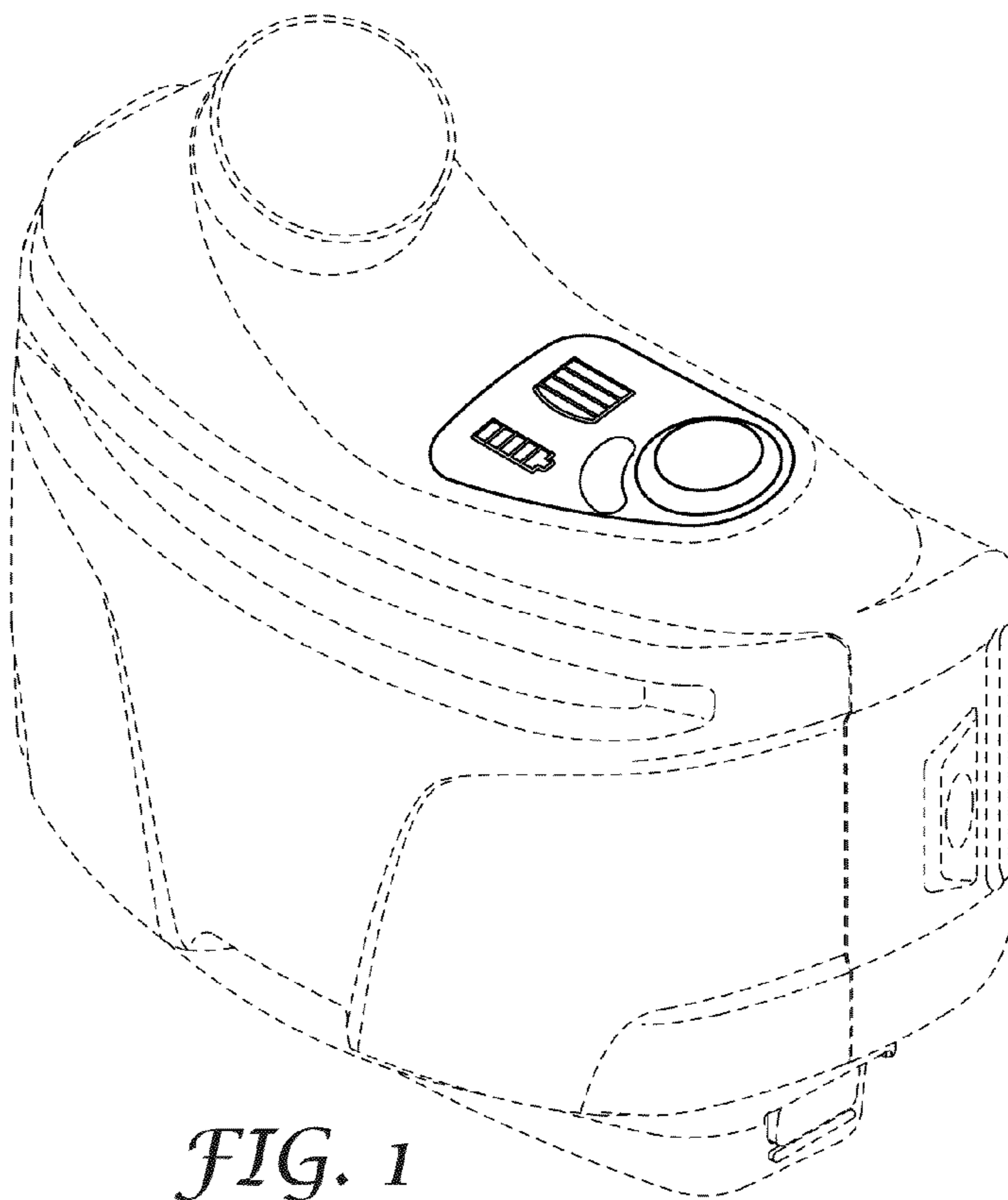


FIG. 1



FIG. 2

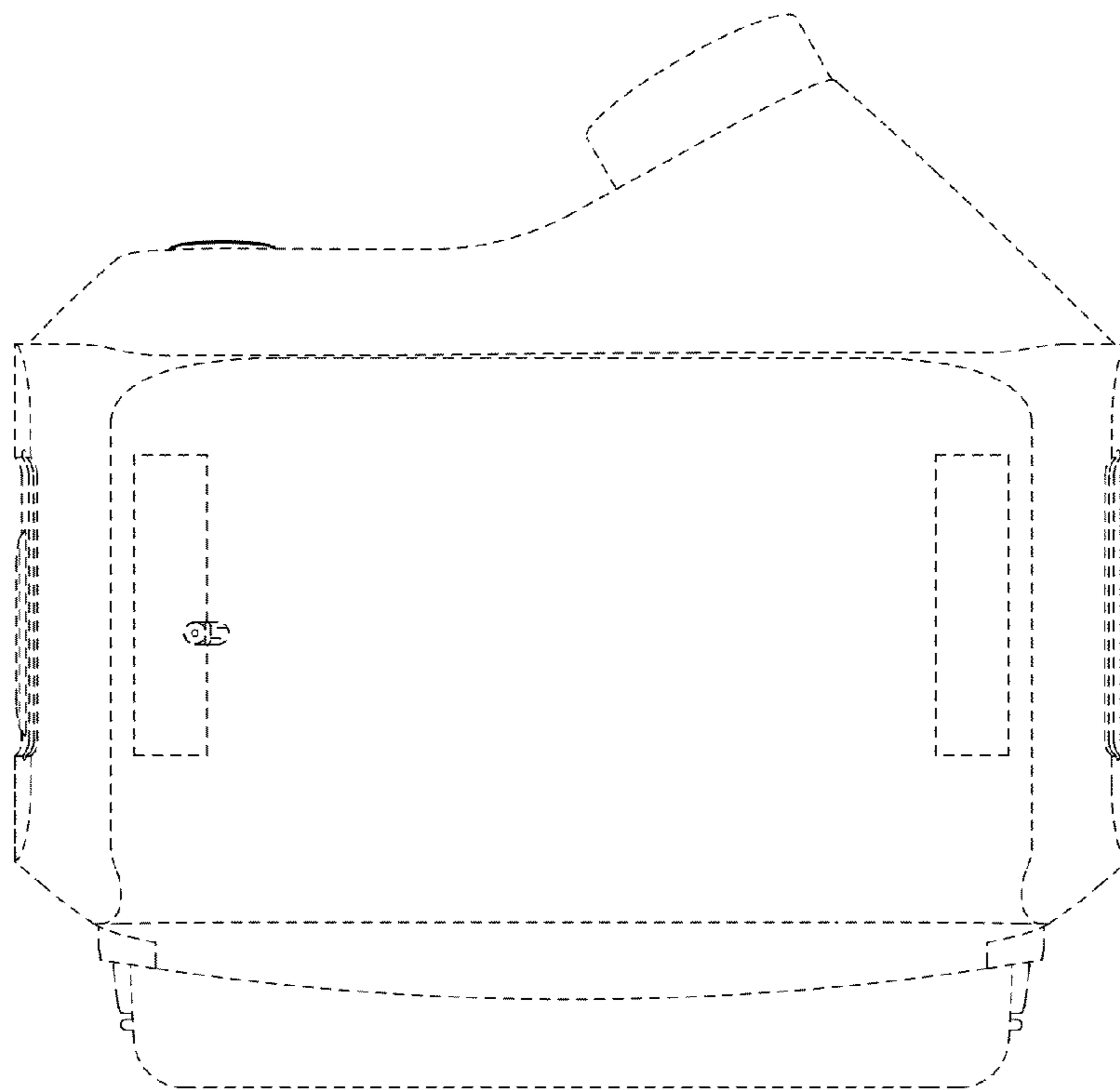


FIG. 3

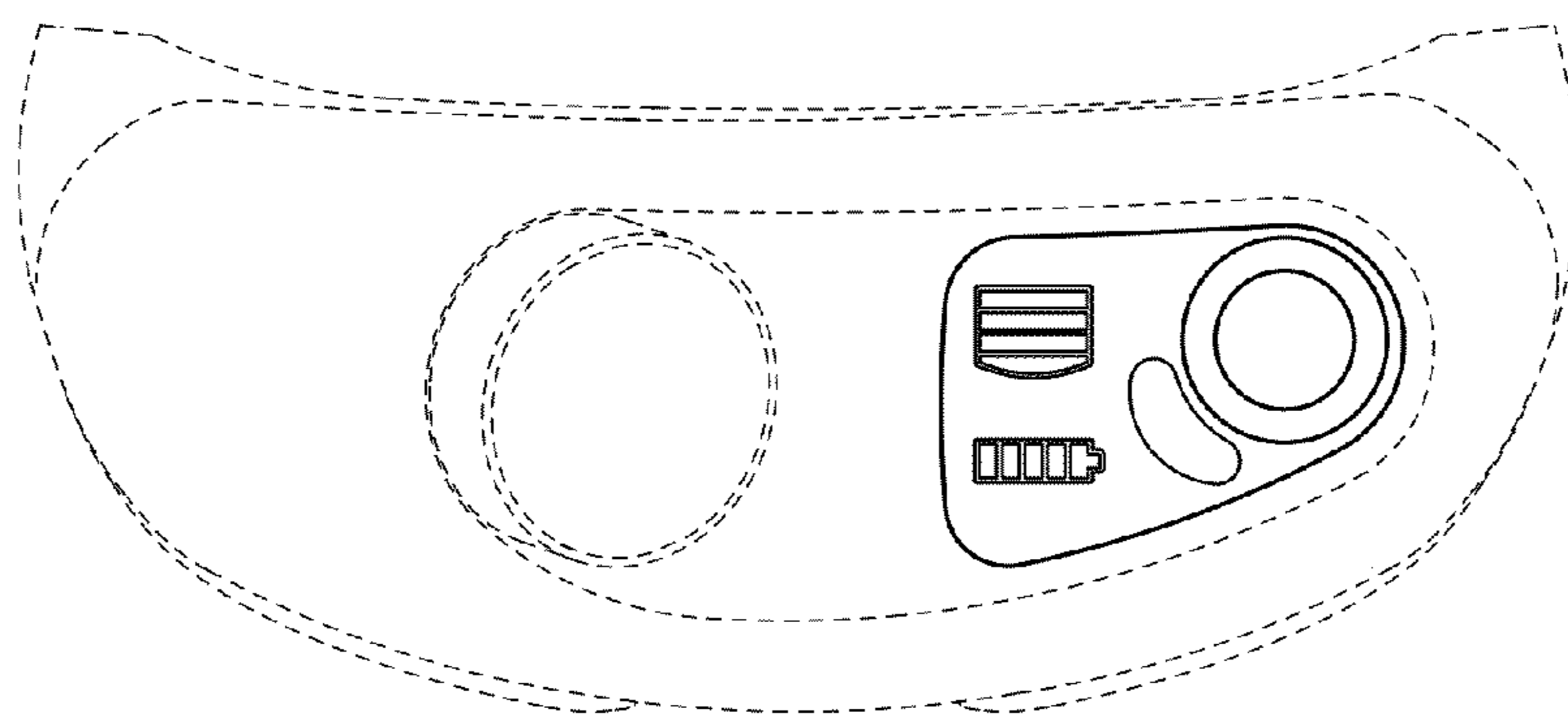


FIG. 4

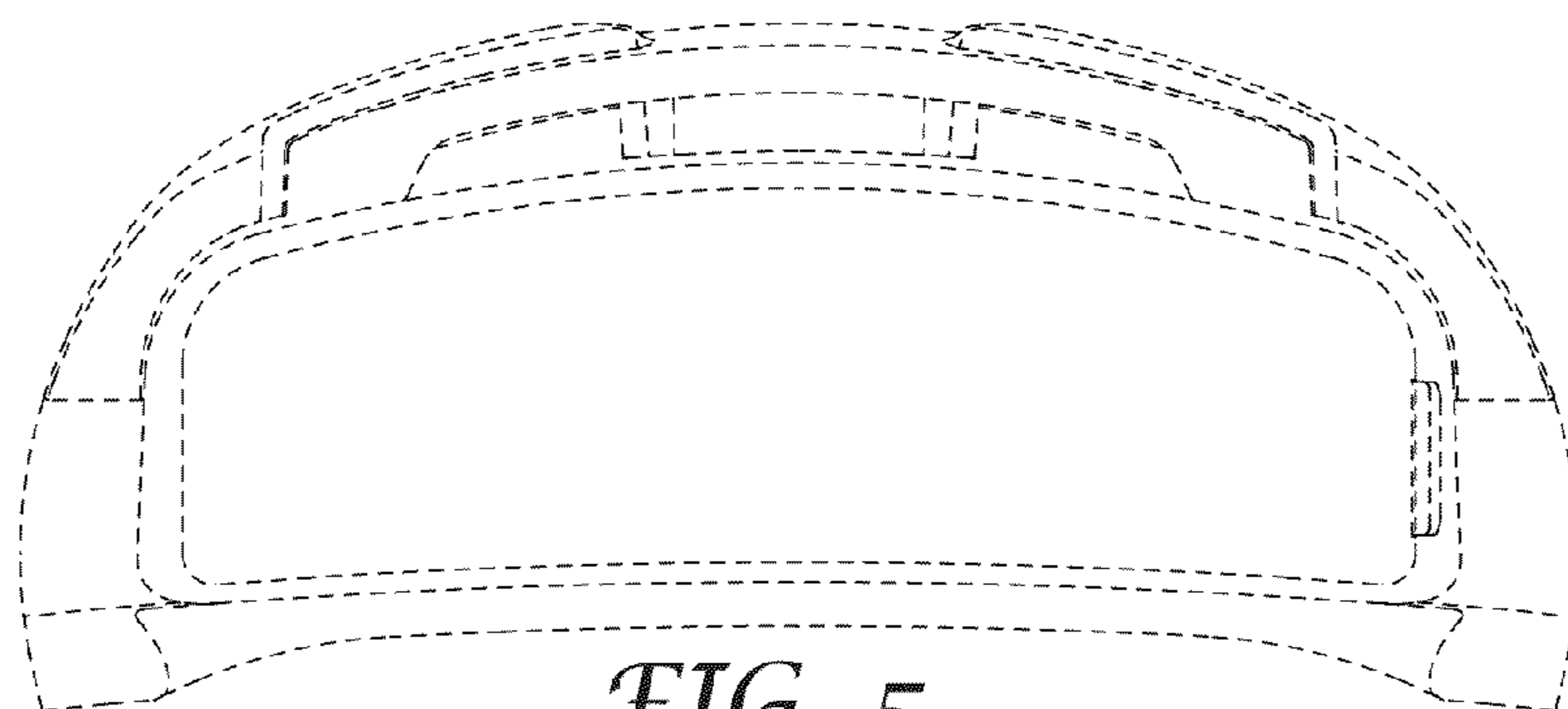
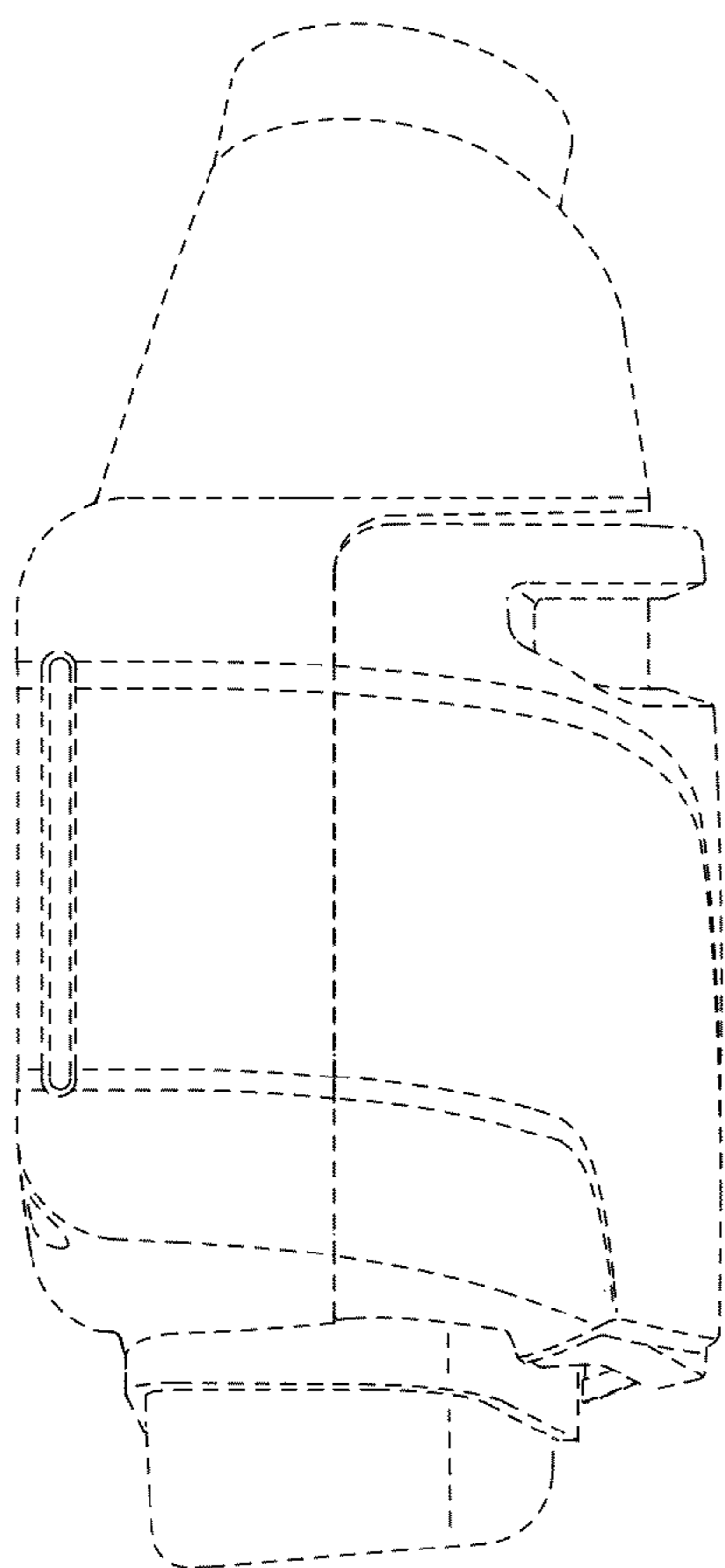
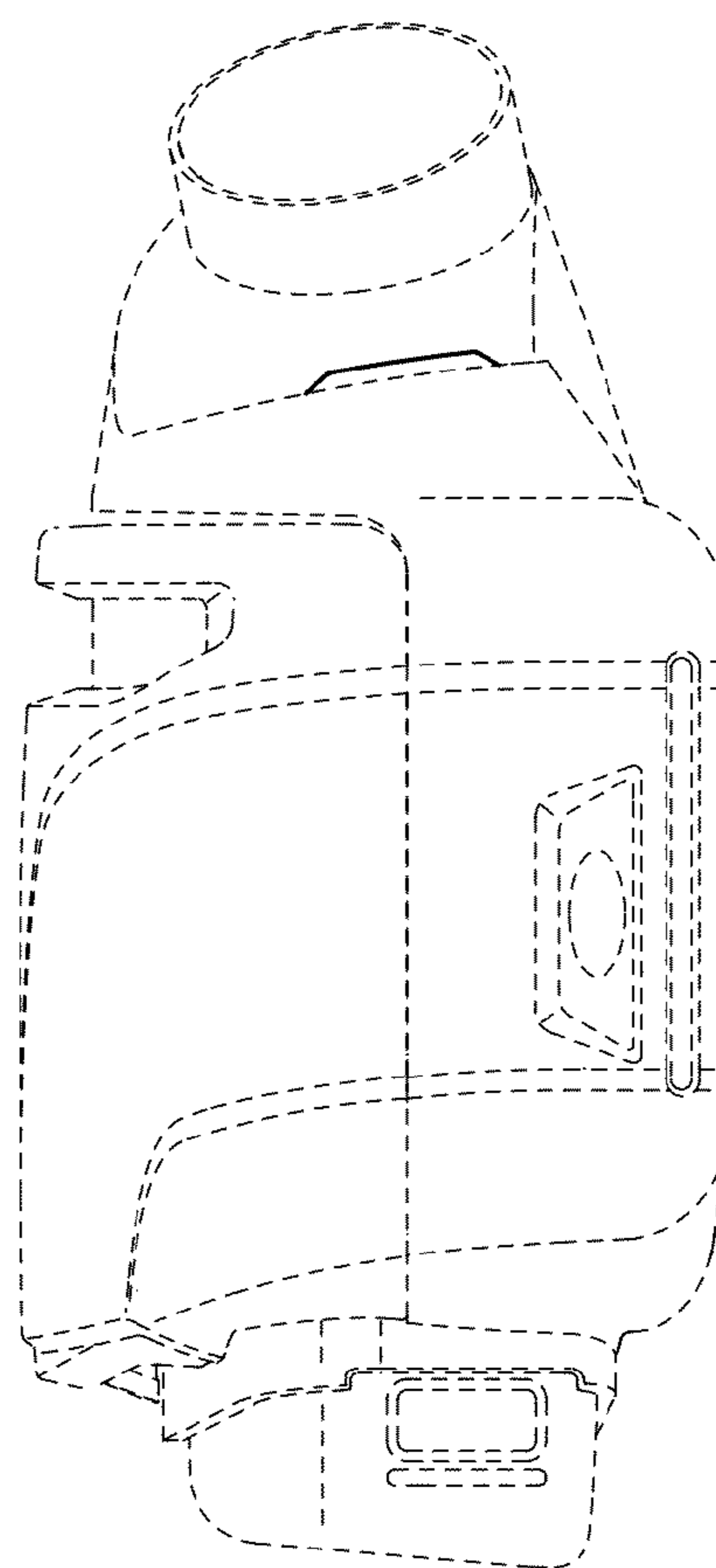


FIG. 5



*FIG. 6*



*FIG. 7*