



US00D739006S

(12) **United States Design Patent**  
**Tominaga et al.**

(10) **Patent No.:** **US D739,006 S**

(45) **Date of Patent:** **\*\* Sep. 15, 2015**

(54) **SAMPLE DILUTION CONTAINER**

(56) **References Cited**

(71) Applicants: **SEKISUI MEDICAL CO., LTD.**,  
Tokyo (JP); **SEKISUI TECHNO**  
**MOLDING CO., LTD.**, Tokyo (JP)

U.S. PATENT DOCUMENTS

(72) Inventors: **Satoru Tominaga**, Tokyo (JP); **Takashi**  
**Yosida**, Tokyo (JP); **Takuya Yotani**,  
Tokyo (JP); **Hiroaki Taira**, Tokyo (JP);  
**Yuriko Yamada**, Tokyo (JP)

4,411,163	A *	10/1983	White .....	73/864.02
5,360,423	A *	11/1994	McCormick .....	604/403
D435,906	S *	1/2001	Wilkinson et al. ....	D24/121
D472,316	S *	3/2003	Douglas et al. ....	D24/129
D558,357	S *	12/2007	Byrd et al. ....	D24/224
D621,522	S *	8/2010	Wilkinson .....	D24/224
D643,934	S *	8/2011	Wilkinson .....	D24/224
D652,148	S *	1/2012	Matsuura .....	D24/224
8,470,268	B2 *	6/2013	Wong .....	422/558
D688,796	S *	8/2013	Niunoya et al. ....	D24/127
2002/0009389	A1 *	1/2002	Lappe et al. ....	422/58
2003/0133844	A1 *	7/2003	Conway .....	422/102
2007/0128070	A1 *	6/2007	Wu et al. ....	422/58
2013/0175266	A1 *	7/2013	Ellis .....	220/23.87
2014/0213934	A1 *	7/2014	Ellis et al. ....	600/575

(73) Assignees: **SEKISUI MEDICAL CO., LTD.**,  
Tokyo (JP); **SEKISUI TECHNO**  
**MOLDING CO., LTD.**, Tokyo (JP)

(\*\*) Term: **14 Years**

\* cited by examiner

(21) Appl. No.: **29/480,091**

*Primary Examiner* — Wan Laymon

*Assistant Examiner* — Mark Booker

(22) Filed: **Jan. 23, 2014**

(74) *Attorney, Agent, or Firm* — Bacon & Thomas, PLLC

(30) **Foreign Application Priority Data**

(57) **CLAIM**

The ornamental design for sample dilution container, as shown and described.

Jul. 26, 2013 (JP) ..... 2013-017077

**DESCRIPTION**

(51) **LOC (10) Cl.** ..... **24-01**

(52) **U.S. Cl.**

USPC ..... **D24/108**

(58) **Field of Classification Search**

USPC ..... D24/108, 121–123, 216, 222–226, 231,  
D24/232, 169; D9/500, 503, 504, 520, 549,  
D9/569; D10/80, 81; 422/99, 100, 102, 56,  
422/58, 61, 68.1, 69; 435/288.1, 288.3,  
435/289.1; 600/573, 574, 576, 577;  
604/317–319, 326, 331, 349

FIG. 1 is a perspective view of the sample dilution container;  
FIG. 2 is a front view thereof;  
FIG. 3 is a rear view thereof;  
FIG. 4 is a top plan view thereof;  
FIG. 5 is a bottom plan view thereof;  
FIG. 6 is a left side view thereof, the right side view appears  
symmetrical with the left side view;  
FIG. 7 is a cross-sectional view taken along line 7-7 of FIG. 2;  
FIG. 8 is an end elevation view taken along line 8-8 of FIG. 2;  
and,  
FIG. 9 is an end elevation view taken along line 9-9 of FIG. 2.

See application file for complete search history.

**1 Claim, 9 Drawing Sheets**

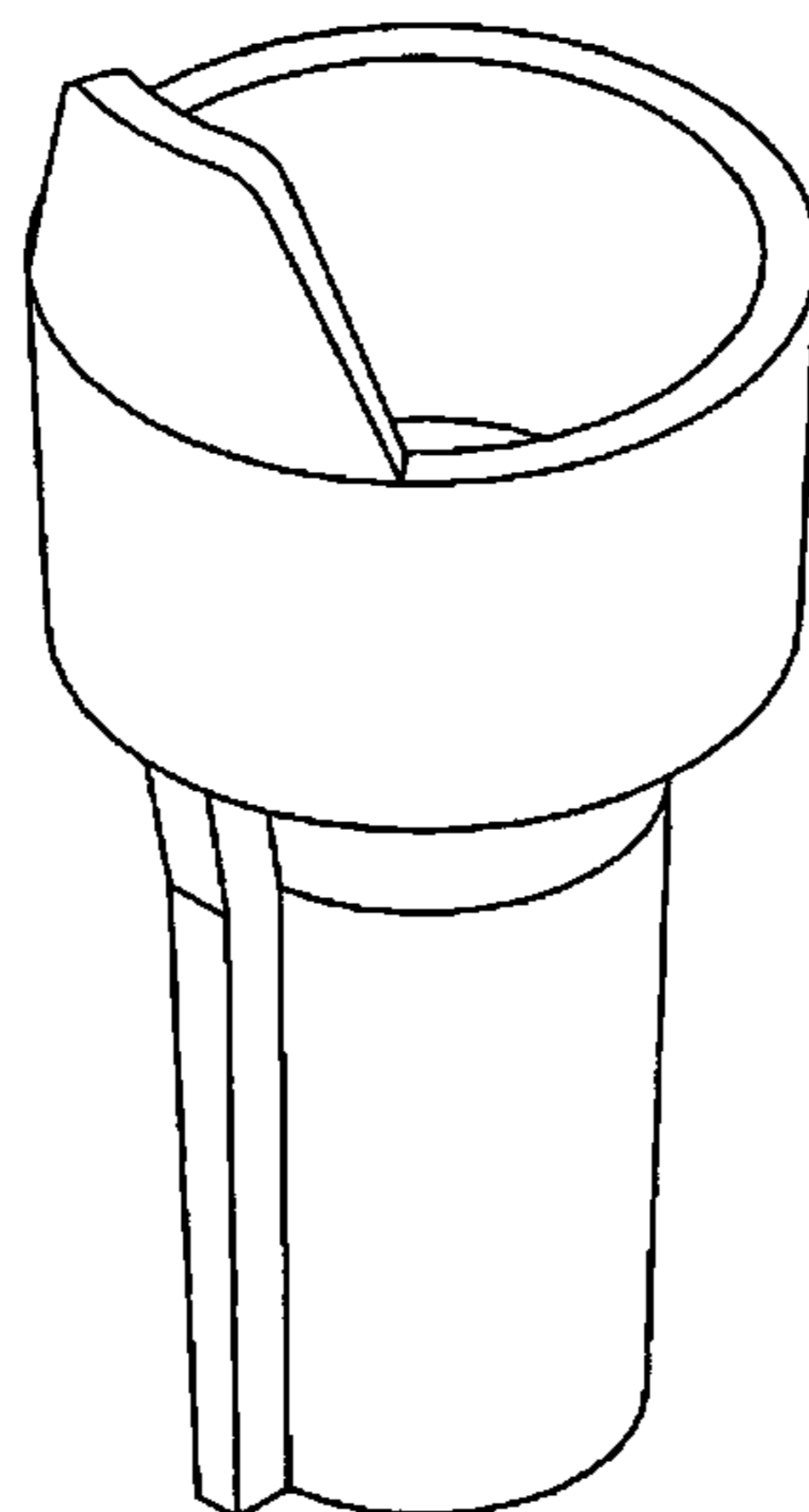


Fig. 1

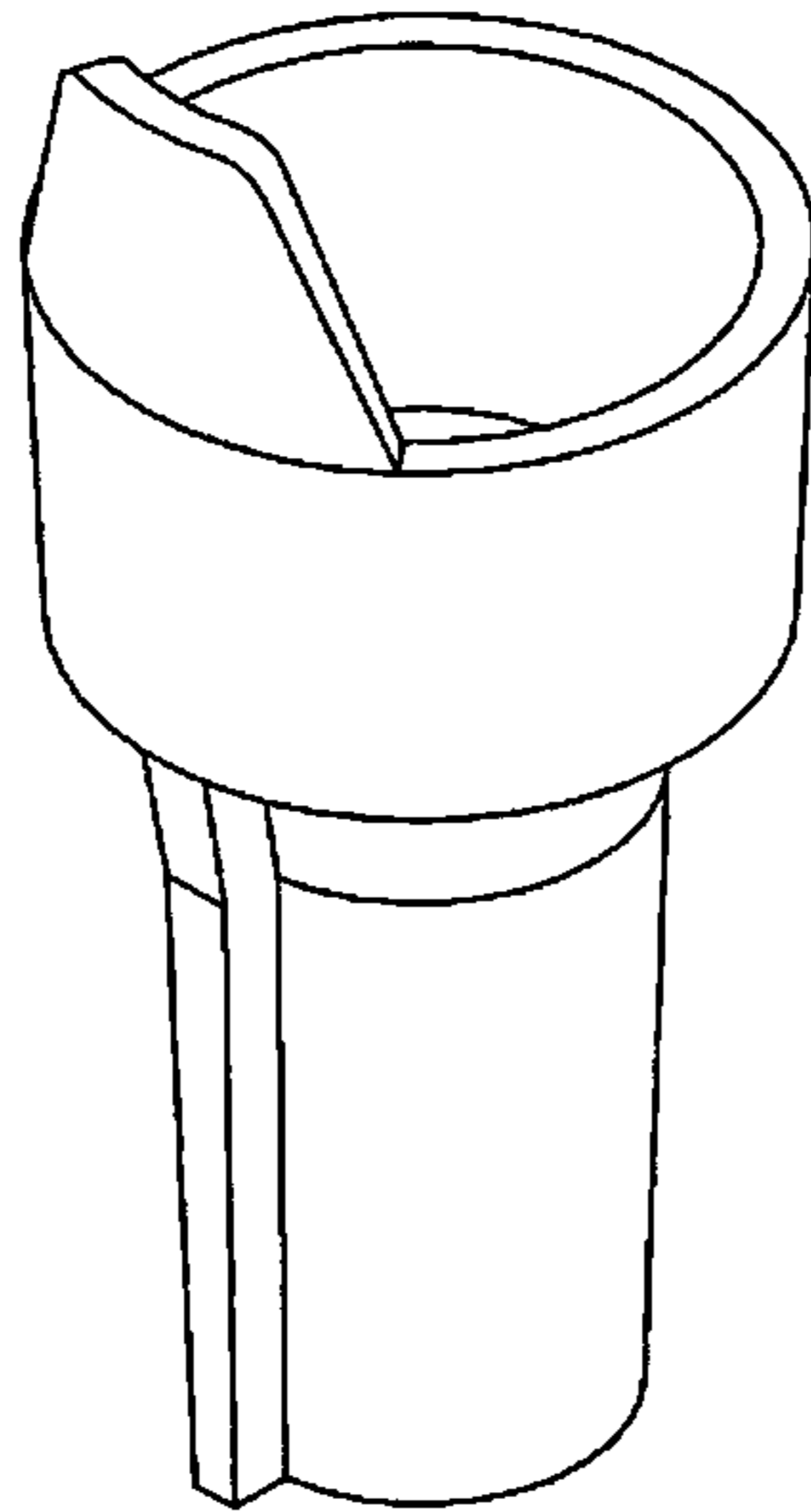


Fig. 2

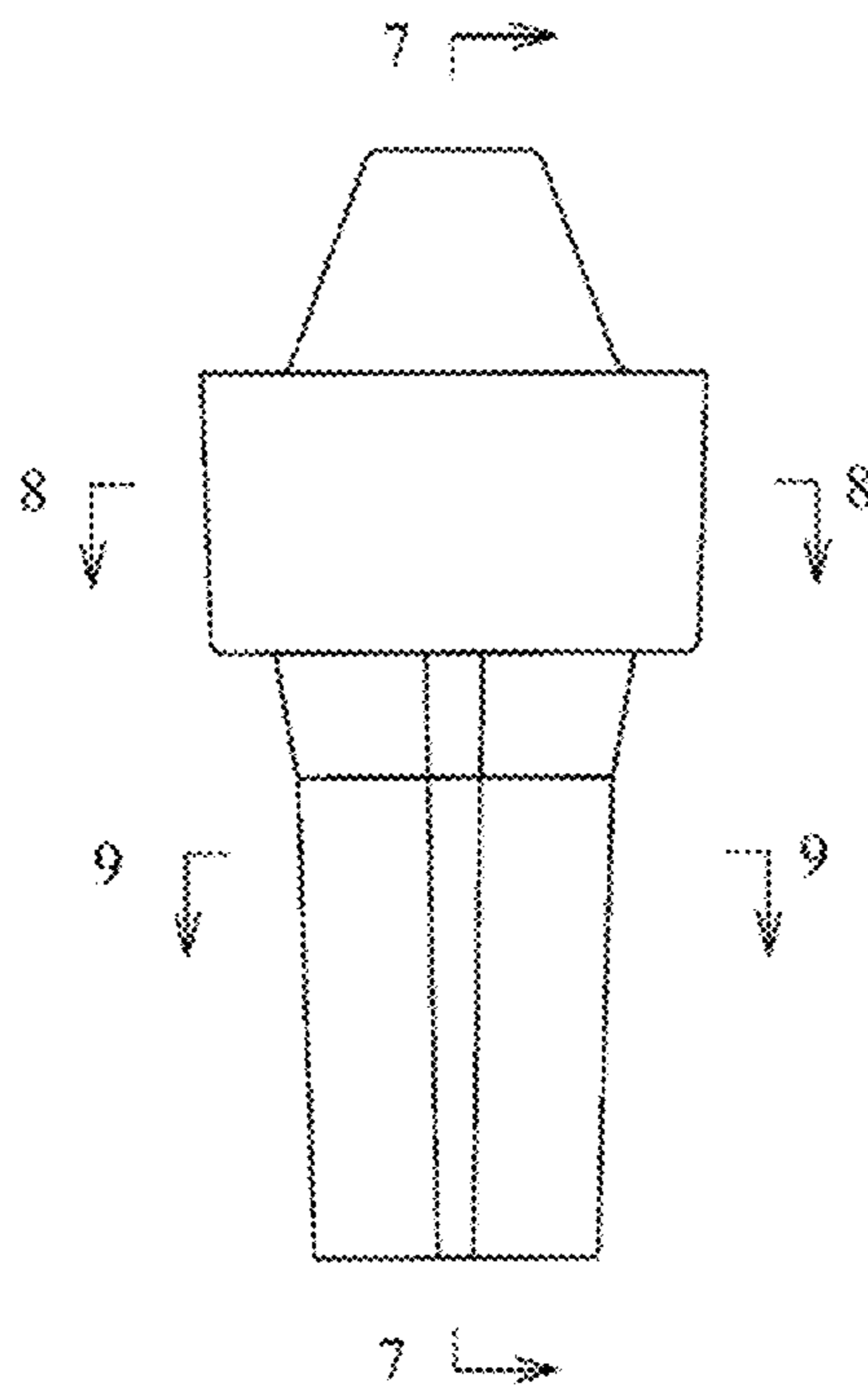


Fig. 3

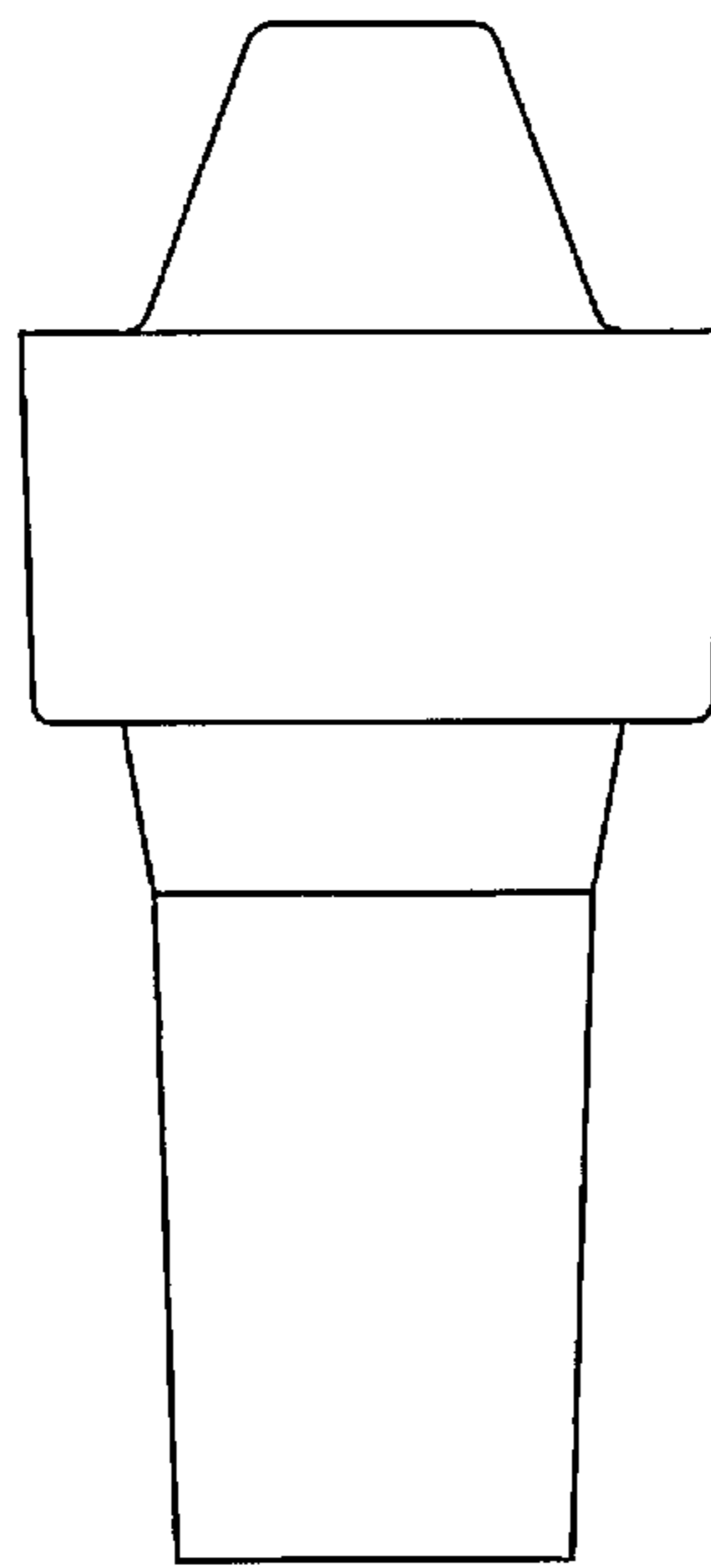


Fig. 4

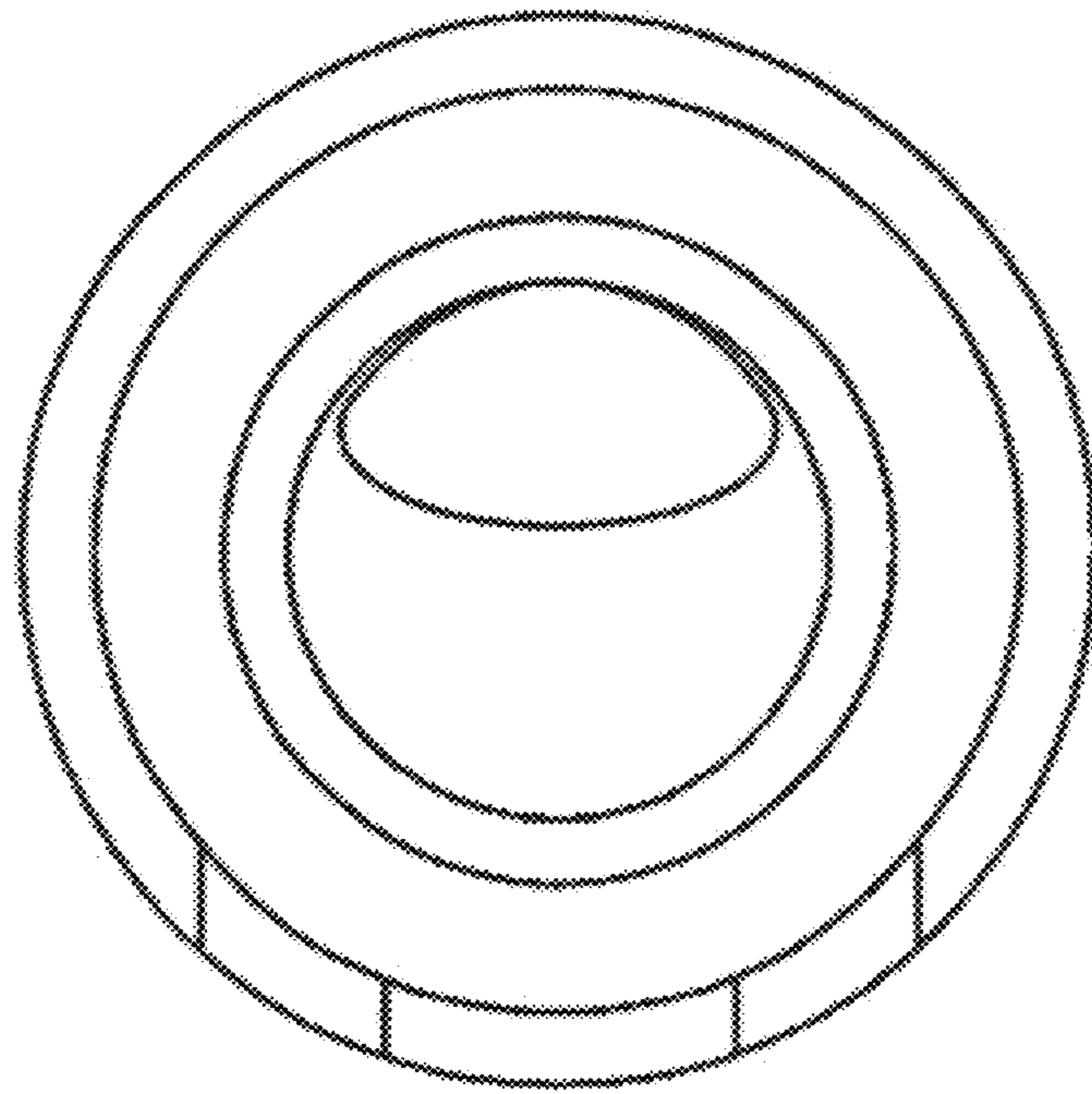


Fig. 5

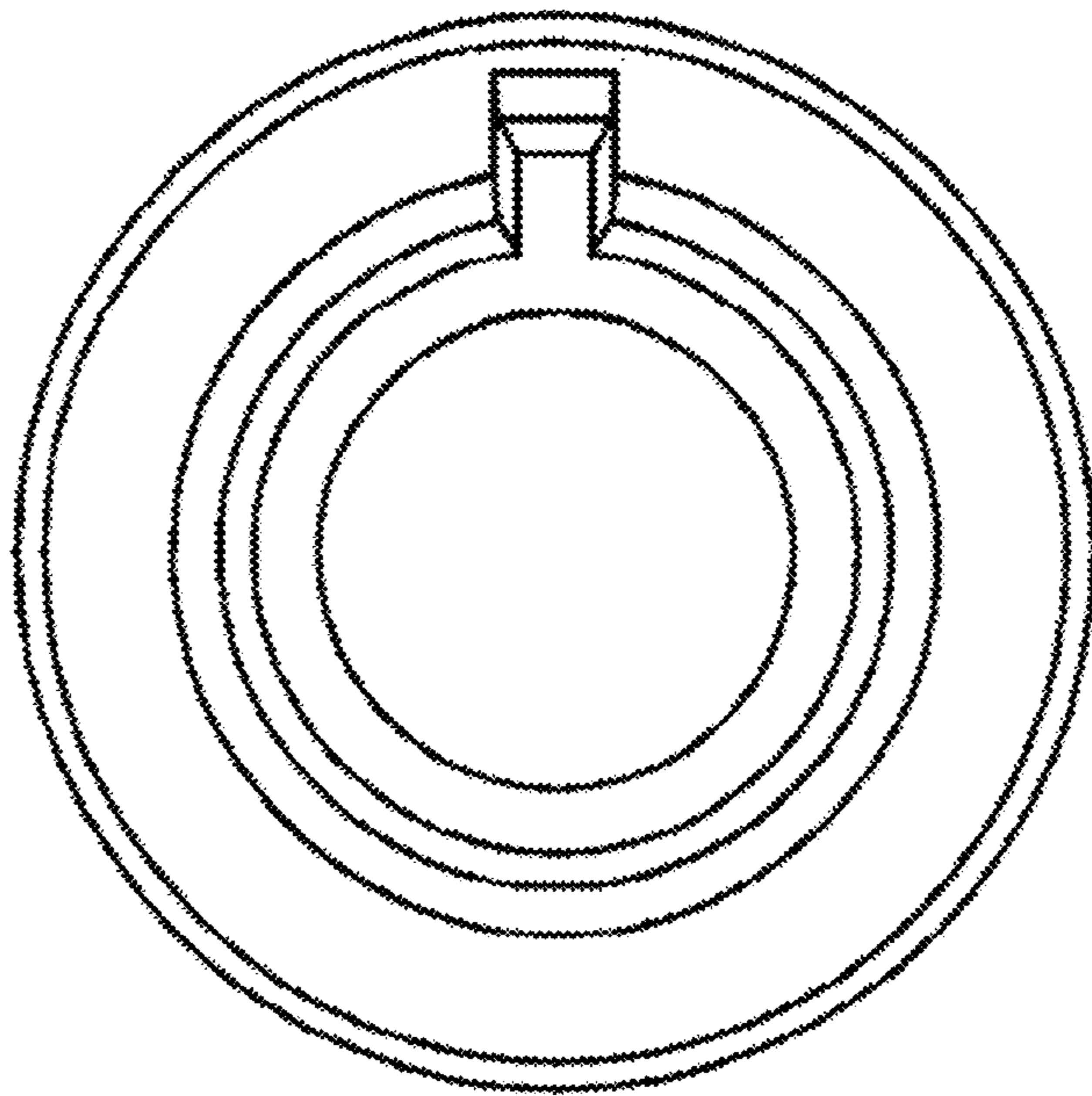


Fig. 6

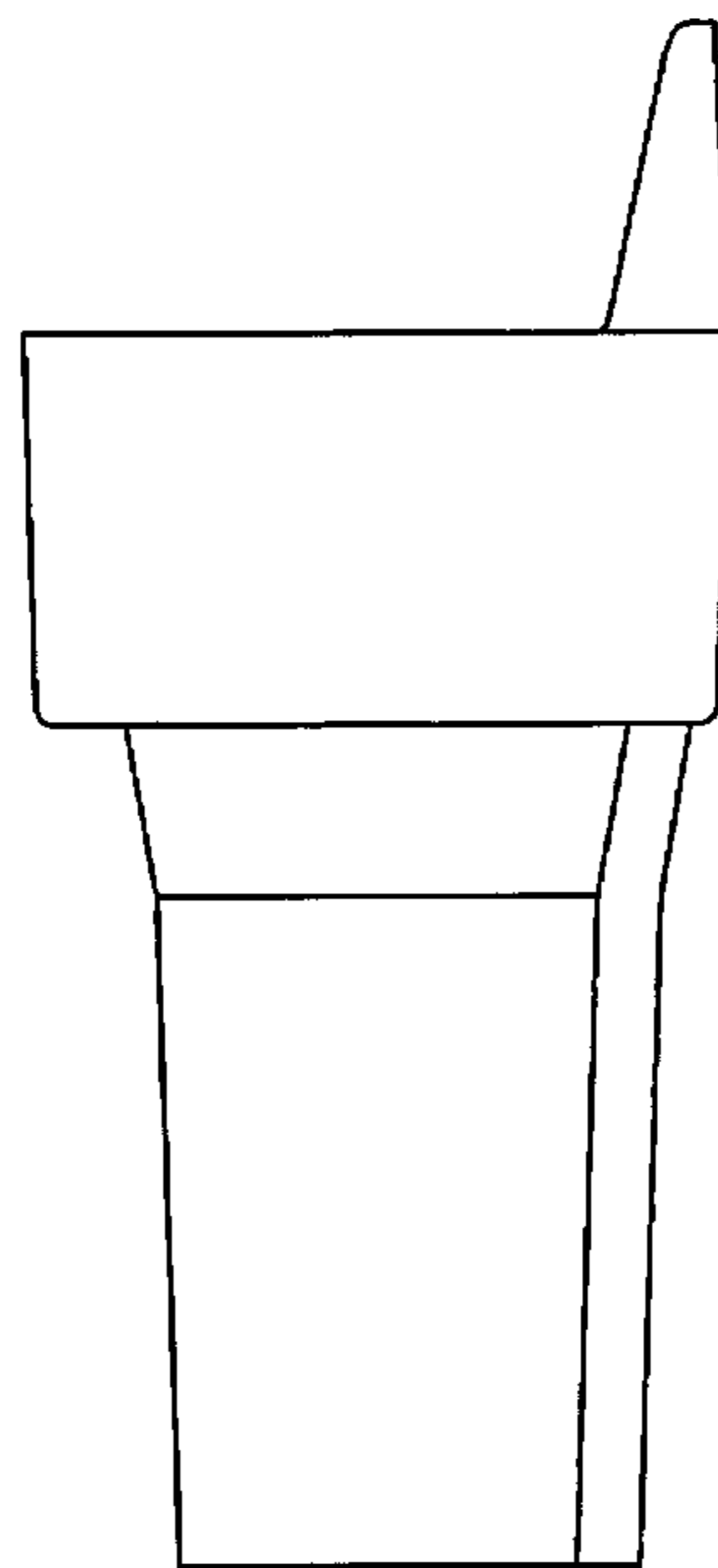


Fig. 7

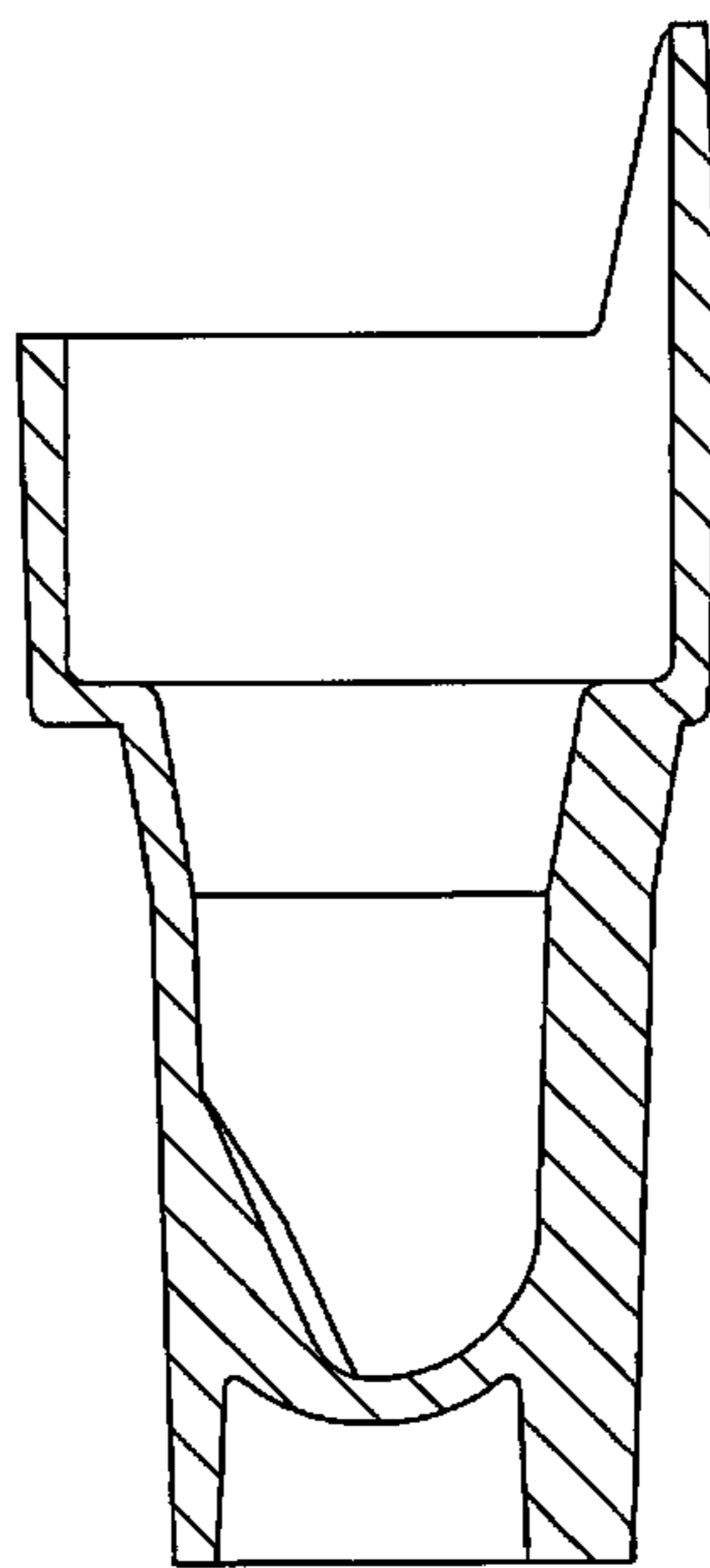




Fig. 8

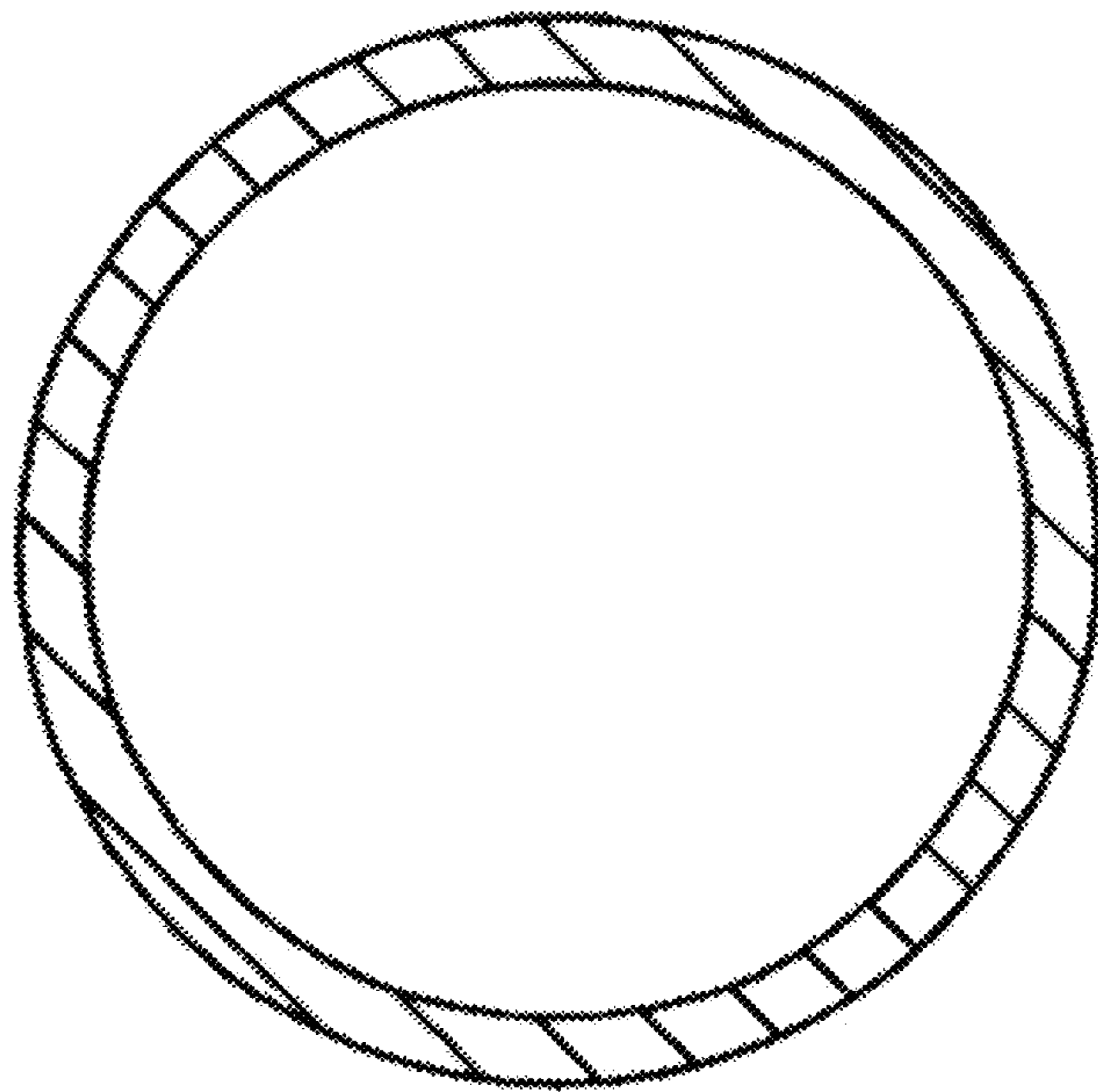


Fig. 9

