



US00D739005S

(12) **United States Design Patent**
Matsumura

(10) **Patent No.:** **US D739,005 S**

(45) **Date of Patent:** **** *Sep. 15, 2015**

(54) **ASPIRATOR HEAD**

(71) Applicant: **Kenichi Matsumura**, Tokyo (JP)

(72) Inventor: **Kenichi Matsumura**, Tokyo (JP)

(*) Notice: This patent is subject to a terminal disclaimer.

(**) Term: **14 Years**

(21) Appl. No.: **29/477,721**

(22) Filed: **Dec. 26, 2013**

(51) **LOC (10) Cl.** **24-01**

(52) **U.S. Cl.**
USPC **D24/108**

(58) **Field of Classification Search**
USPC D24/108, 110.6, 111, 112, 127, 152,
D24/176

CPC . A61C 17/043; A61C 17/046; A61M 1/0003;
A61M 1/008; A61M 1/0064; A61M 1/0086

See application file for complete search history.

(56) **References Cited**

U.S. PATENT DOCUMENTS

2,531,730	A *	11/1950	Henderson	604/264
2,561,622	A *	7/1951	Grubb	433/96
D238,576	S *	1/1976	Vidal	D23/209
D252,470	S *	7/1979	Pawlak	D24/129
D259,278	S *	5/1981	McCaw et al.	D24/129
4,451,257	A *	5/1984	Atchley	604/119
D282,285	S *	1/1986	Levy	D24/112
D282,962	S *	3/1986	Gerber	D23/262
D283,641	S *	4/1986	Spetzler et al.	D24/129
4,586,900	A *	5/1986	Hymanson et al.	433/96
D288,361	S *	2/1987	Lichtman	D24/127
4,784,649	A *	11/1988	Imonti et al.	604/240
D300,361	S *	3/1989	Tokarz	D24/129
4,861,266	A *	8/1989	Ashiku	433/95
4,878,900	A *	11/1989	Sundt	604/119
4,925,450	A *	5/1990	Imonti et al.	604/240

4,966,584	A *	10/1990	Nguyen	604/119
5,151,094	A *	9/1992	Hanifl	604/118
D338,071	S *	8/1993	Kerns et al.	D24/224
D339,417	S *	9/1993	Sampson et al.	D24/129
5,975,897	A *	11/1999	Propp et al.	433/91
6,500,142	B1 *	12/2002	Harreld et al.	604/35
D473,646	S *	4/2003	Baillargeon et al.	D24/129
D474,269	S *	5/2003	Choksi et al.	D24/108
D478,662	S *	8/2003	Flinchbaugh	D24/129
D484,241	S *	12/2003	Peters et al.	D24/129
D484,593	S *	12/2003	Baillargeon et al.	D24/129
D485,616	S *	1/2004	Baillargeon et al.	D24/129
6,902,558	B2 *	6/2005	Laks	604/521
7,066,903	B2 *	6/2006	Yarger	604/35
7,214,059	B2 *	5/2007	Takahashi	433/92

(Continued)

Primary Examiner — Deanna L Pratt

Assistant Examiner — Lilyana Bekic

(74) *Attorney, Agent, or Firm* — Bacon & Thomas, PLLC

(57) **CLAIM**

The ornamental design for an aspirator head, as shown and described.

DESCRIPTION

FIG. 1 is a top, perspective view of an aspirator head showing my new design;

FIG. 2 is a top plan view thereof, the bottom plan view being an identical mirror image;

FIG. 3 is a front elevational view thereof, the rear elevational view being an identical mirror image;

FIG. 4 is a right side elevational view thereof;

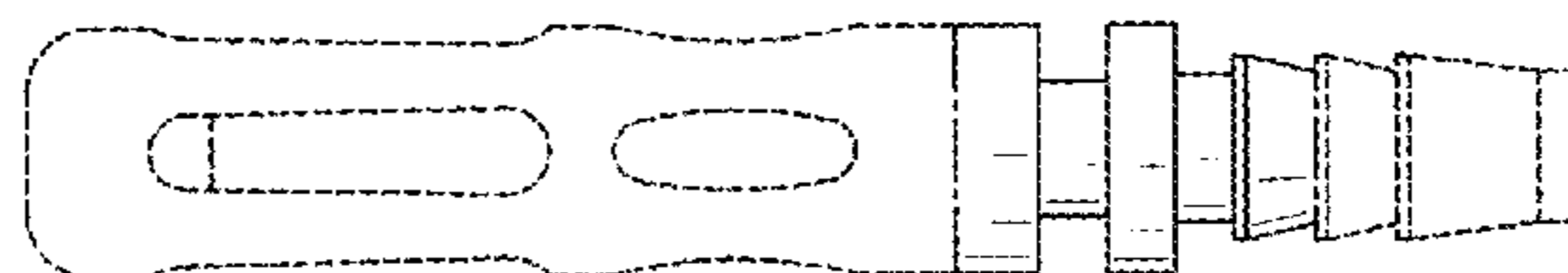
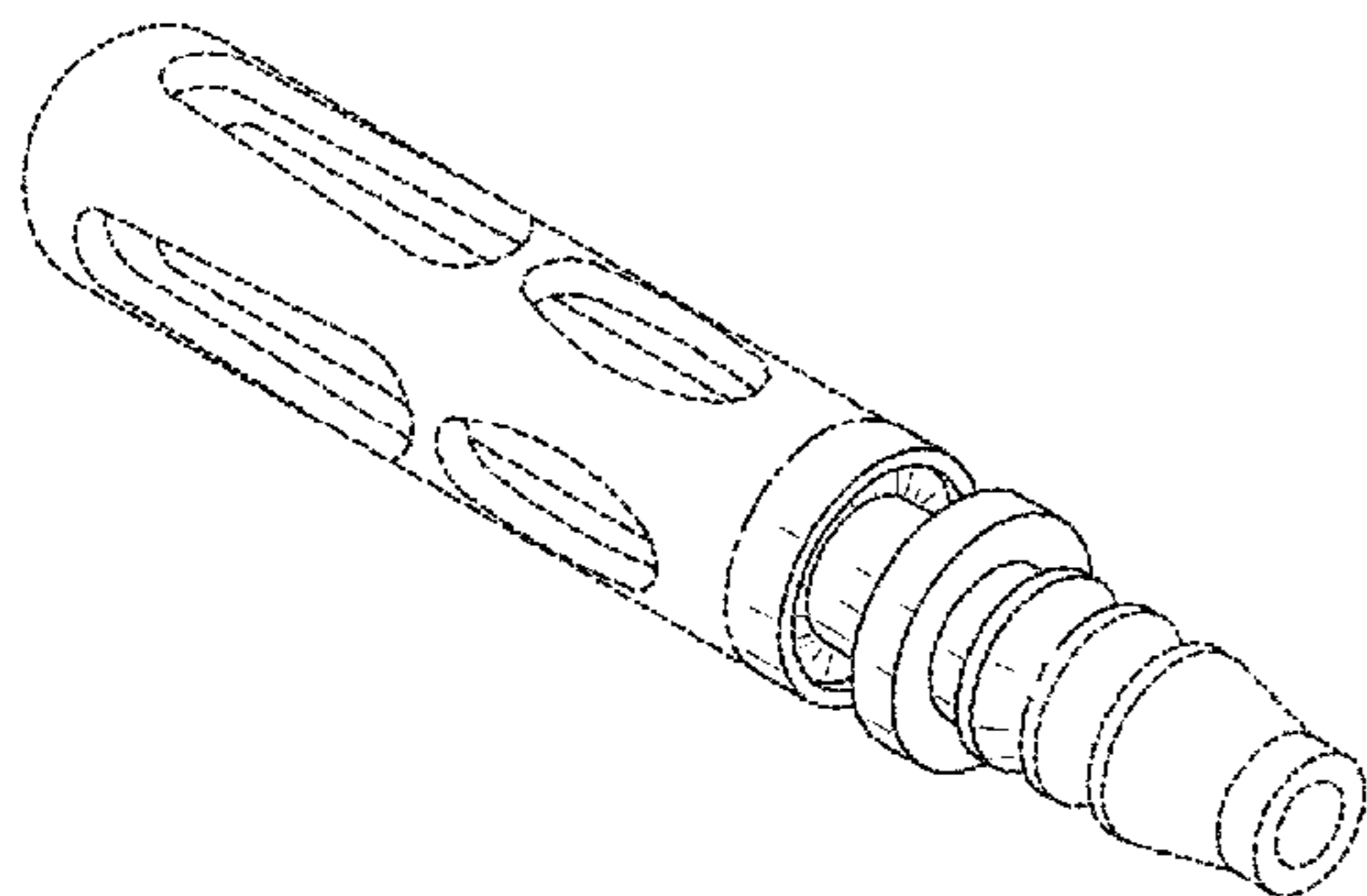
FIG. 5 is left side elevational view thereof;

FIG. 6 is a sectional view taken along the line 6-6 of FIG. 2; and,

FIG. 7 is a sectional view taken along the line 7-7 of FIG. 2.

The dash-dot-dash broken lines represent the boundaries of the claimed design and form no part thereof. The dash-dash broken lines illustrate the portions of the aspirator head which form no part of the claimed design.

1 Claim, 3 Drawing Sheets



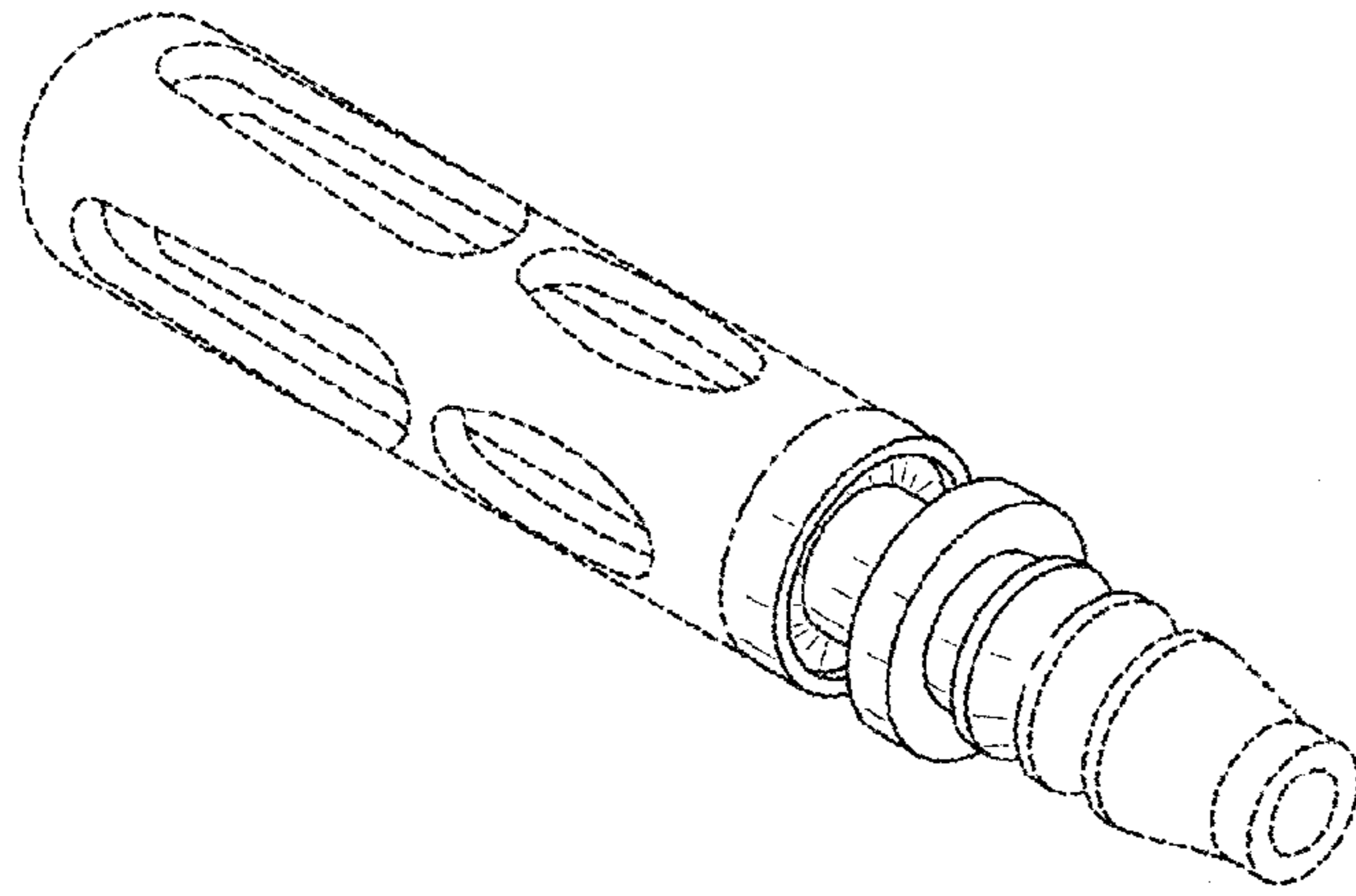


FIG. 1

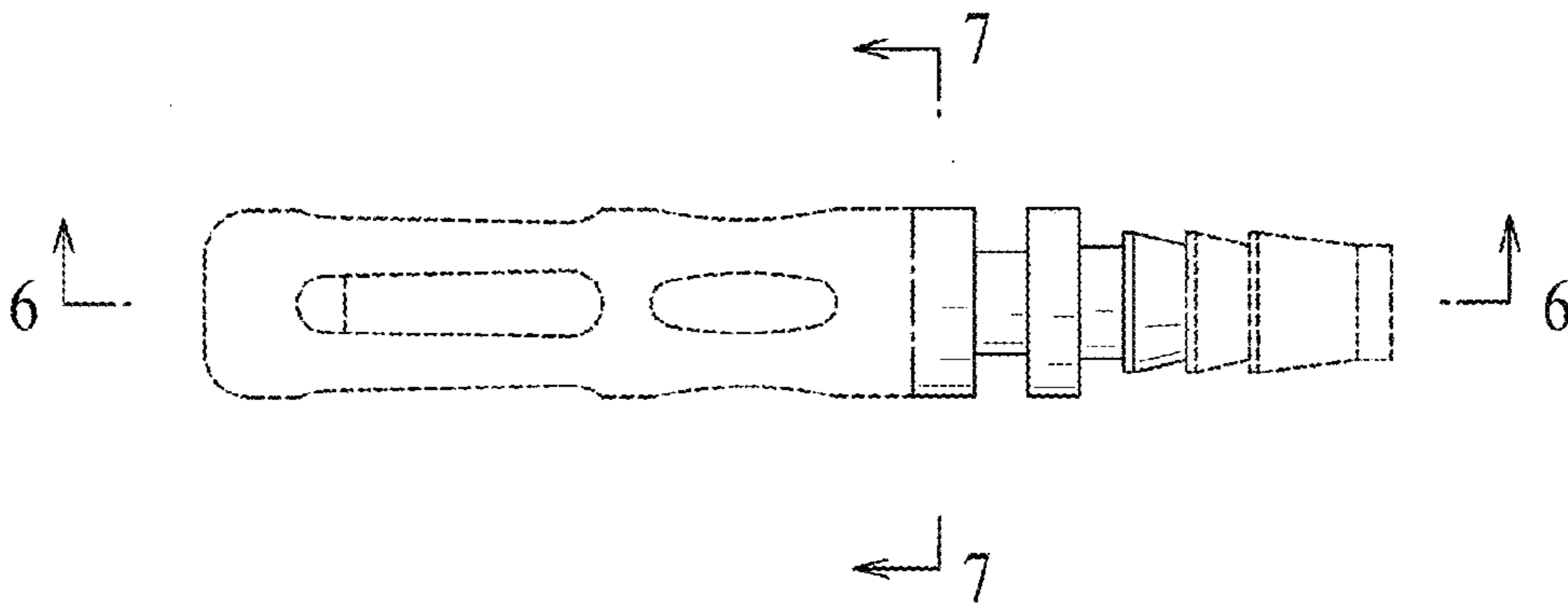


FIG. 2

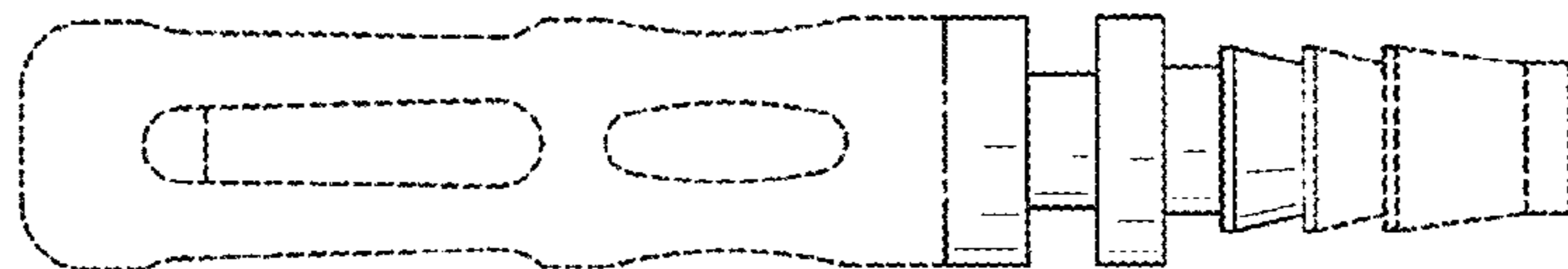


FIG. 3

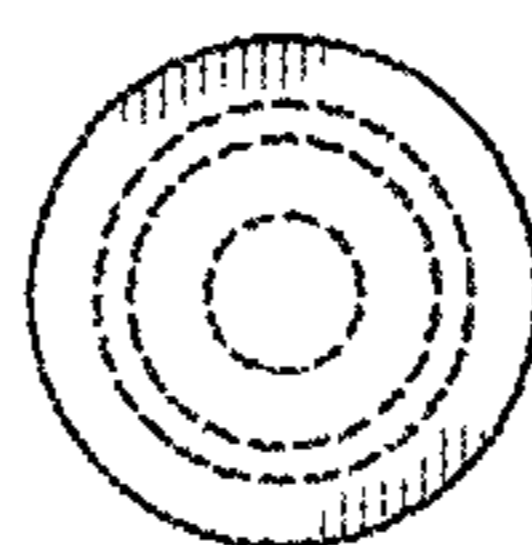


FIG. 4

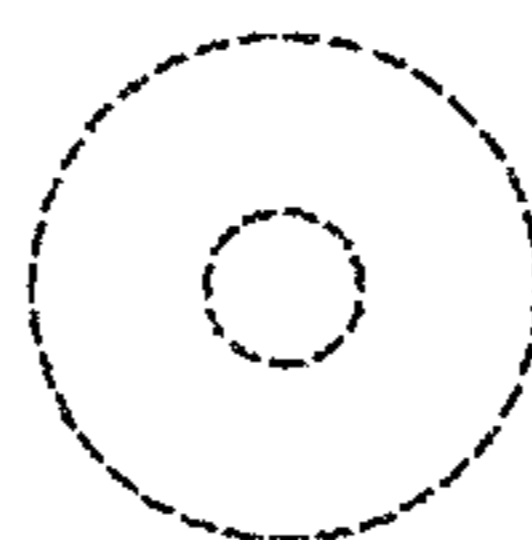


FIG. 5

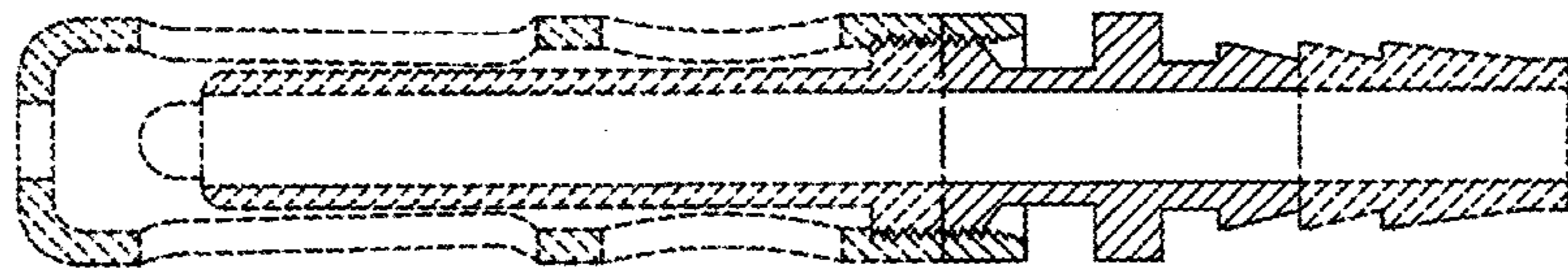


FIG. 6

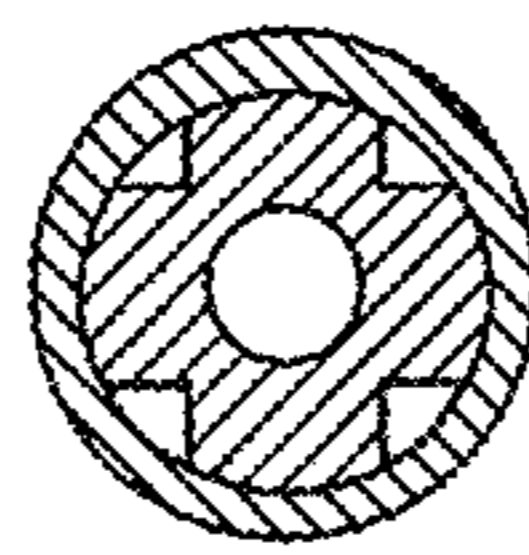


FIG. 7