



US00D738996S

(12) **United States Design Patent**  
**Kamoshida**

(10) **Patent No.:** **US D738,996 S**

(45) **Date of Patent:** **\*\* Sep. 15, 2015**

(54) **EVAPORATOR WITH COOL STORAGE FUNCTION**

2014/0174121 A1\* 6/2014 Hirayama et al. .... 62/524  
2014/0182330 A1\* 7/2014 Kamoshida et al. .... 62/524  
2015/0107295 A1\* 4/2015 Vreeland et al. .... 62/515

(71) Applicant: **KEIHIN THERMAL TECHNOLOGY CORPORATION**, Oyama-shi (JP)

\* cited by examiner

(72) Inventor: **Osamu Kamoshida**, Oyama (JP)

*Primary Examiner* — T. Chase Nelson

(73) Assignee: **KEIHIN THERMAL TECHNOLOGY CORPORATION**, Oyama-Shi (JP)

*Assistant Examiner* — Ania Aman

(74) *Attorney, Agent, or Firm* — Mori & Ward, LLP

(\*\*) Term: **14 Years**

(57) **CLAIM**

The ornamental design for an evaporator with cool storage function, as shown and described.

(21) Appl. No.: **29/493,157**

(22) Filed: **Jun. 5, 2014**

**DESCRIPTION**

(30) **Foreign Application Priority Data**

Dec. 6, 2013 (JP) ..... 2013-028725

(51) **LOC (10) Cl.** ..... **12-03**

(52) **U.S. Cl.**  
USPC ..... **D23/325**; D23/314

(58) **Field of Classification Search**  
USPC ..... D23/314, 323, 330, 386, 499, 325, 354;  
165/181, 121, 166, 167, 170, 150, 151,  
165/182, 172, 48.1, 153; 62/434, 519, 285,  
62/515, 524  
See application file for complete search history.

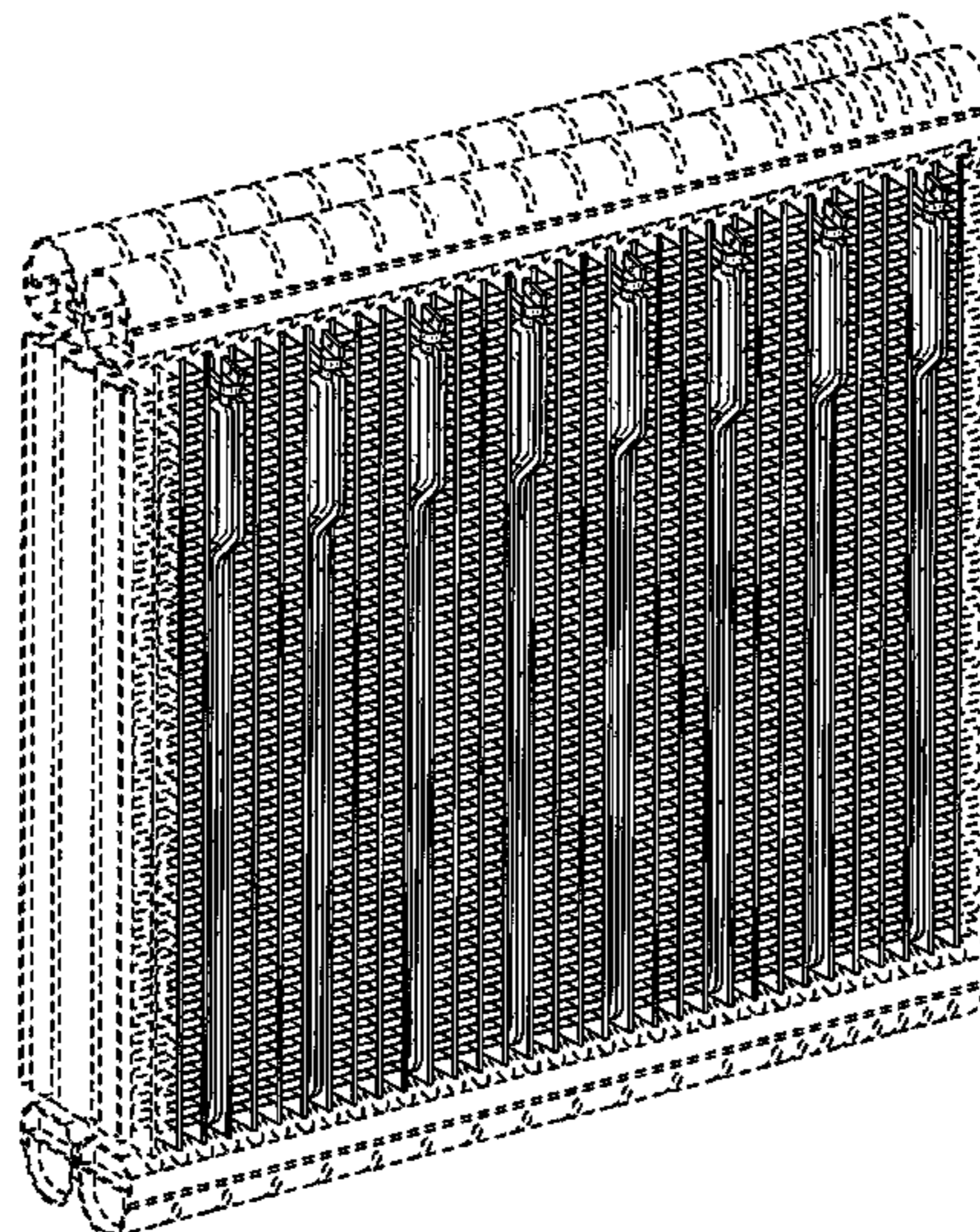
FIG. 1 is a top and left front perspective view of an evaporator with cool storage function, showing my design;  
FIG. 2 is a front elevational view thereof;  
FIG. 3 is a rear elevational view thereof;  
FIG. 4 is a left side elevational view thereof;  
FIG. 5 is a right side elevational view thereof;  
FIG. 6 is a top plan view thereof;  
FIG. 7 is a bottom view thereof;  
FIG. 8 is a partial enlarged front view thereof defined by lines 8-8 shown in FIG. 2;  
FIG. 9 is a partial enlarged right side view thereof defined by lines 9-9 shown in FIG. 5;  
FIG. 10 is a partial enlarged left side view thereof defined by lines 10-10 shown in FIG. 4;  
FIG. 11 is a partial enlarged top plan view thereof defined by lines 11-11 shown in FIG. 6; and,  
FIG. 12 is a partial enlarged bottom view thereof defined by lines 12-12 shown in FIG. 7.  
All broken lines shown in the figures represent environmental structures and form no part of the design of the present invention.

(56) **References Cited**

**U.S. PATENT DOCUMENTS**

9,032,757 B2\* 5/2015 Yamada et al. .... 62/515  
2006/0191673 A1\* 8/2006 Inaba ..... 165/153  
2009/0025419 A1\* 1/2009 Kerler et al. .... 62/524  
2010/0223949 A1\* 9/2010 Higashiyama et al. .... 62/519  
2010/0307180 A1\* 12/2010 Yamada et al. .... 62/285  
2011/0154855 A1\* 6/2011 Sasaki et al. .... 62/524  
2014/0165647 A1\* 6/2014 Hirayama et al. .... 62/515

**1 Claim, 9 Drawing Sheets**



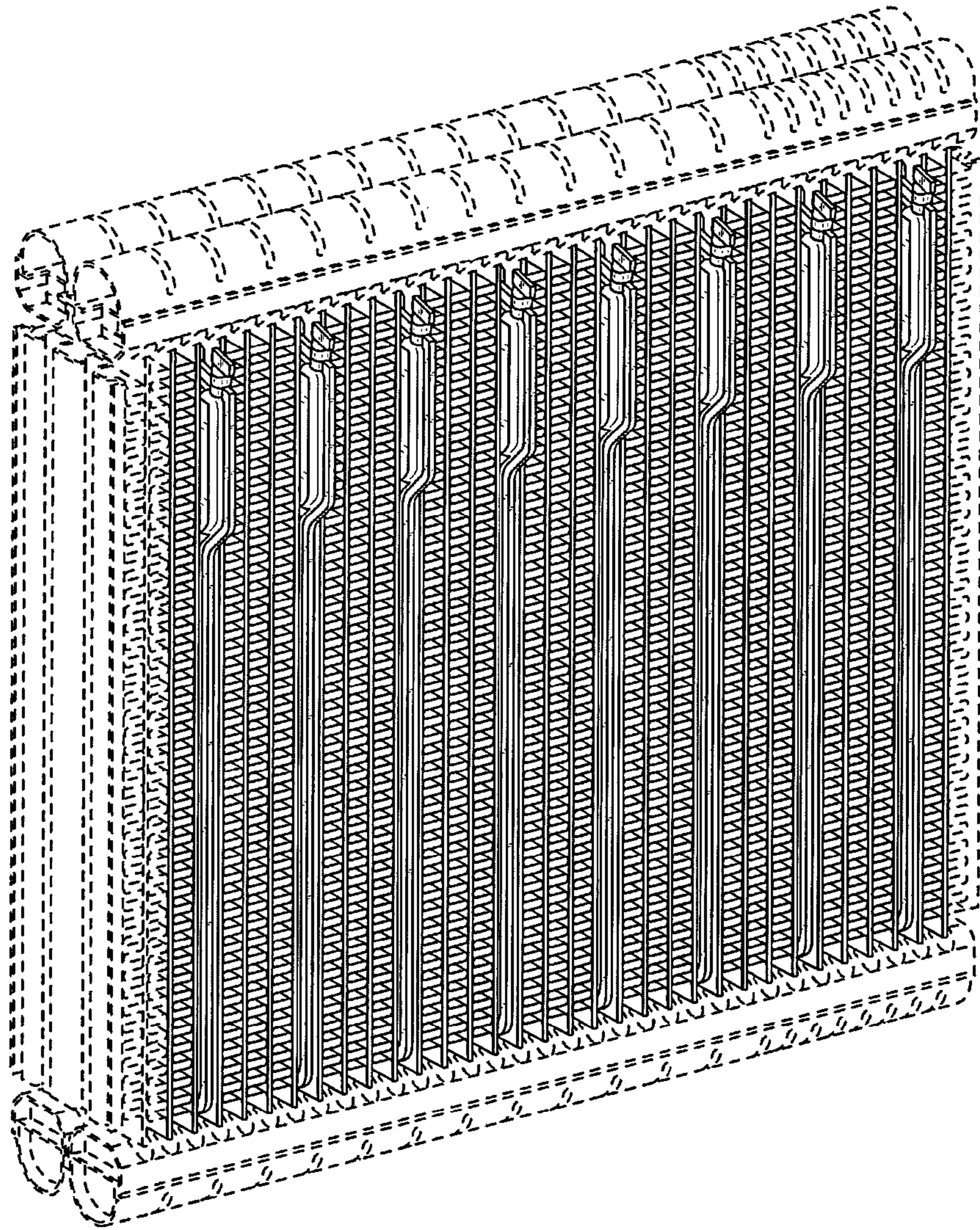


FIG. 1

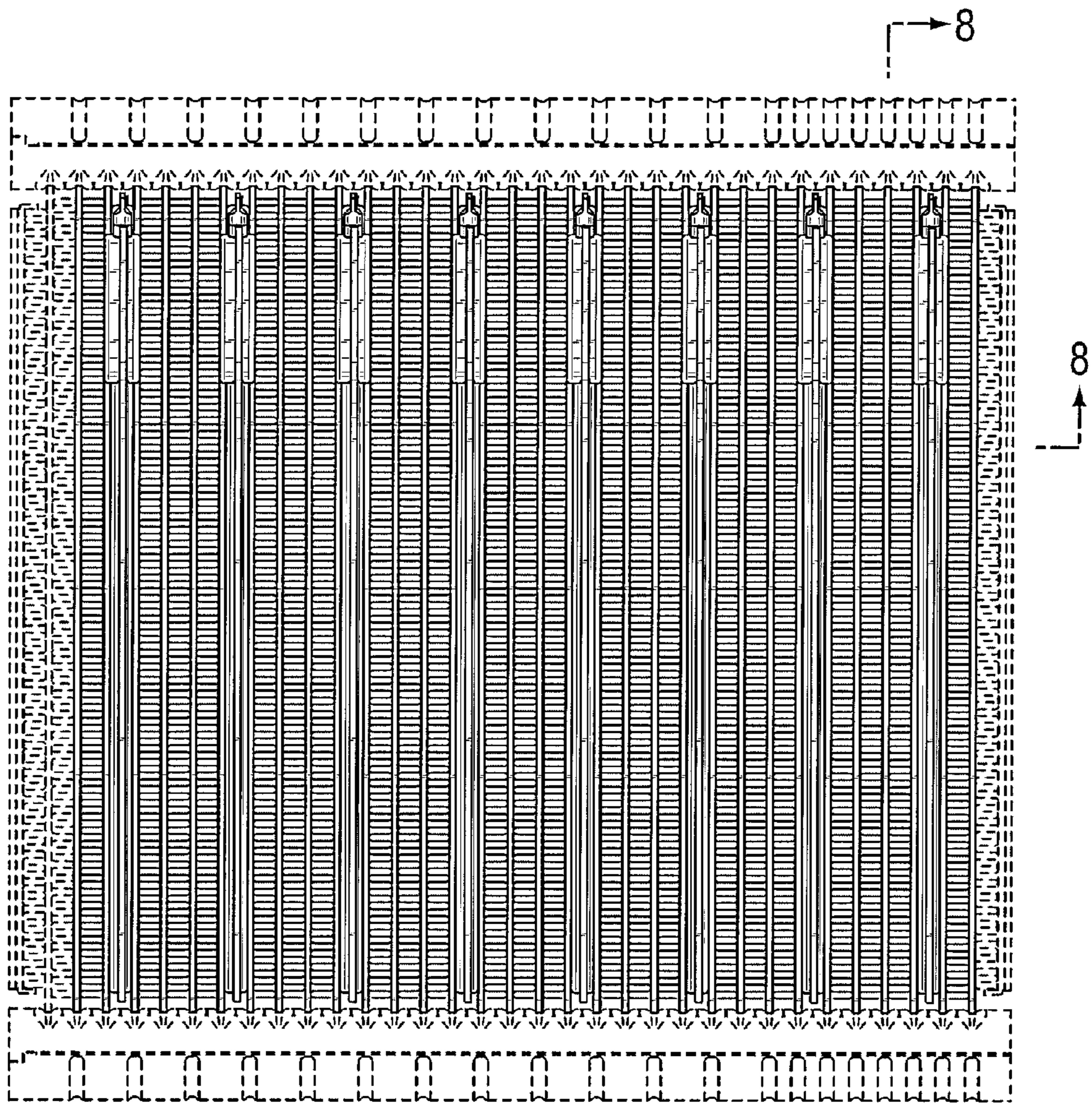


FIG. 2

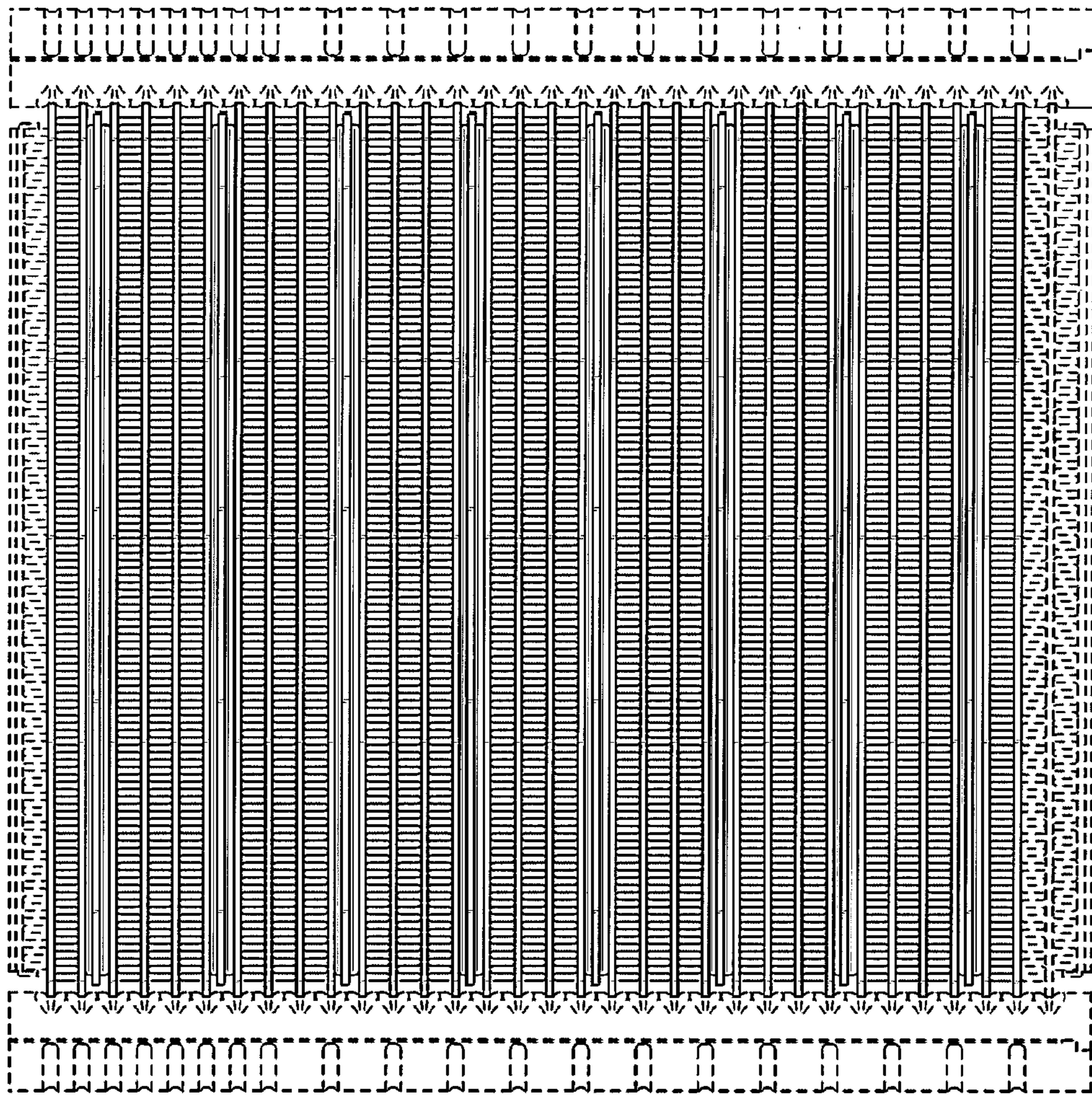


FIG. 3

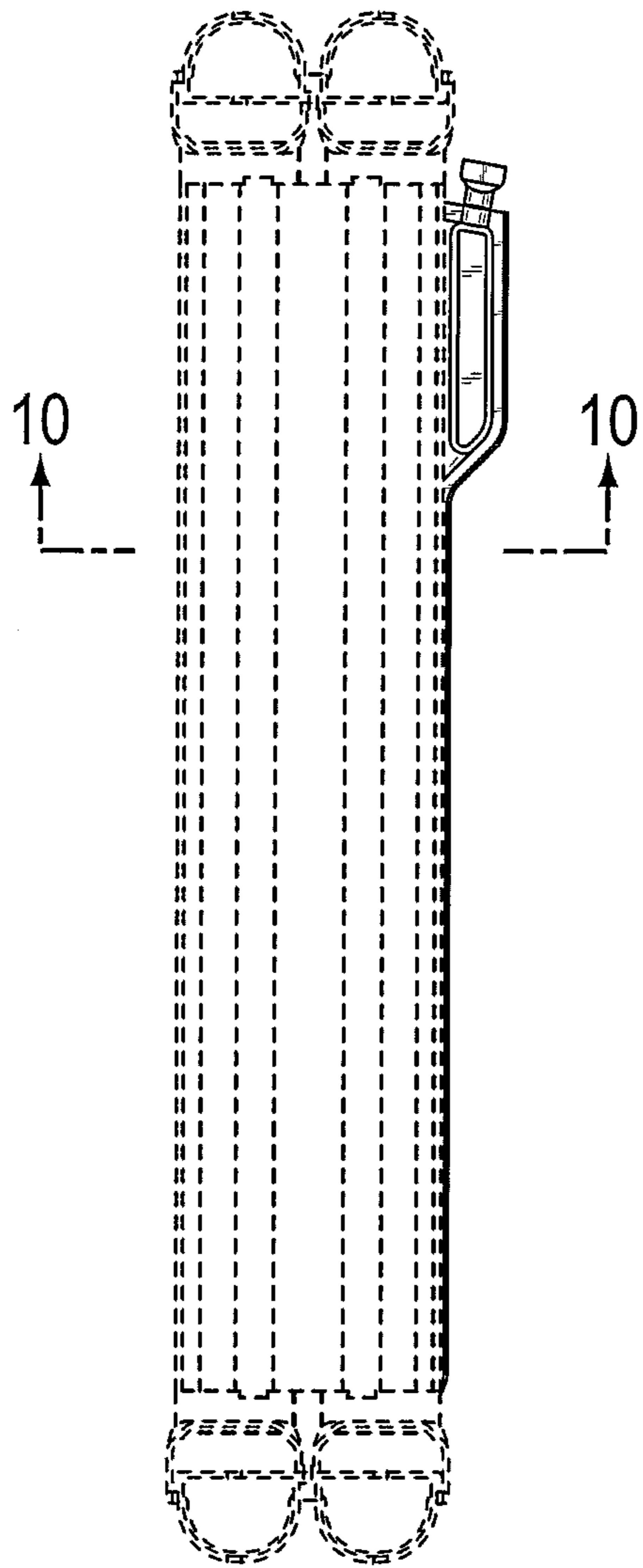


FIG. 4

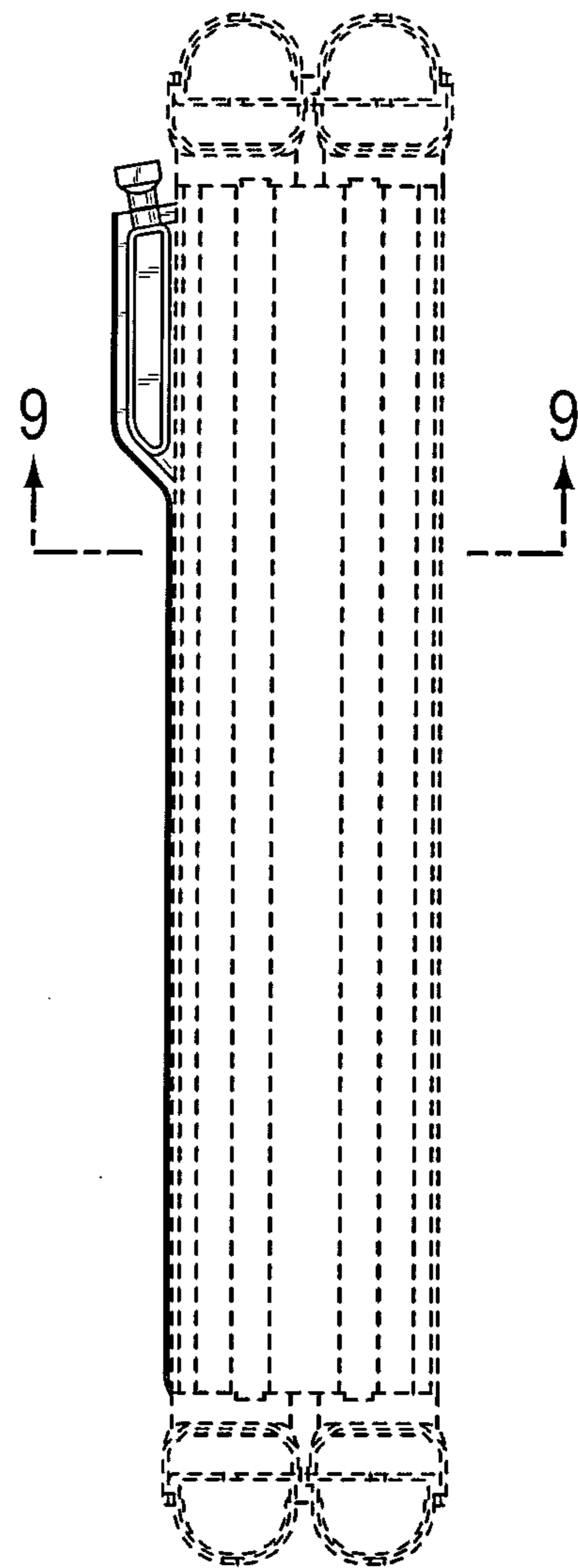


FIG. 5

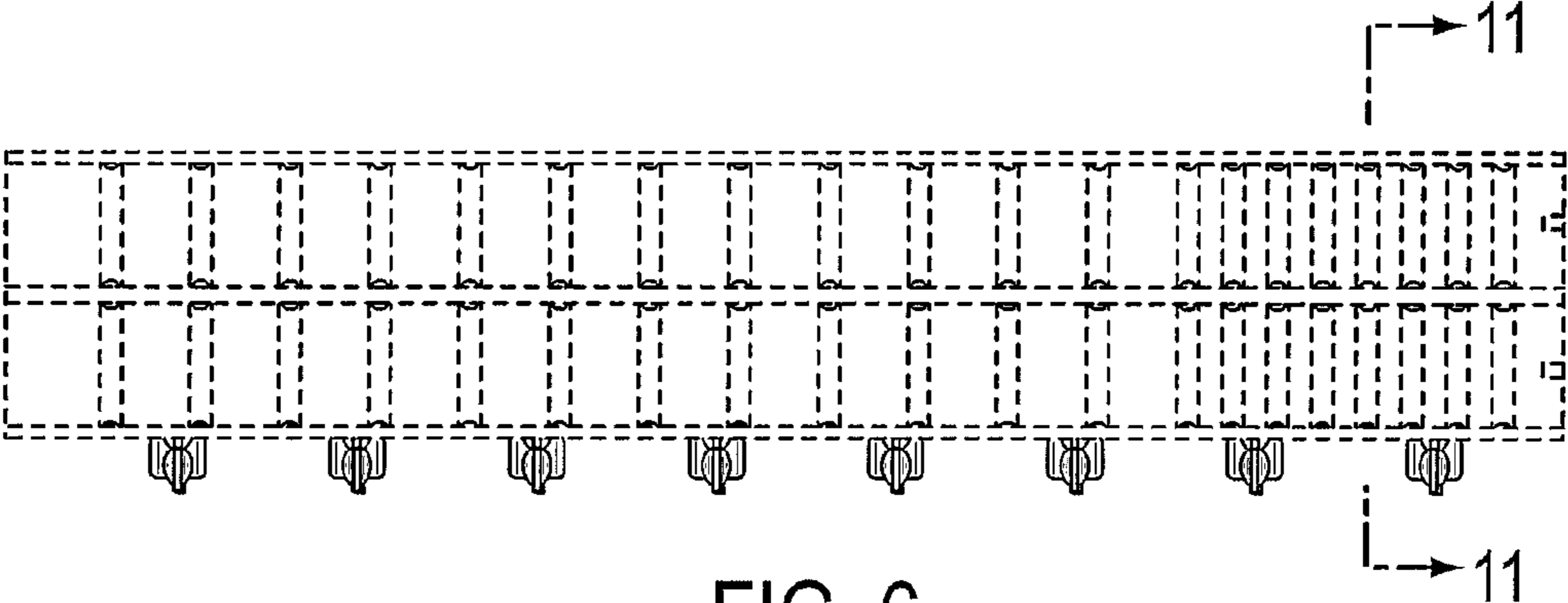


FIG. 6

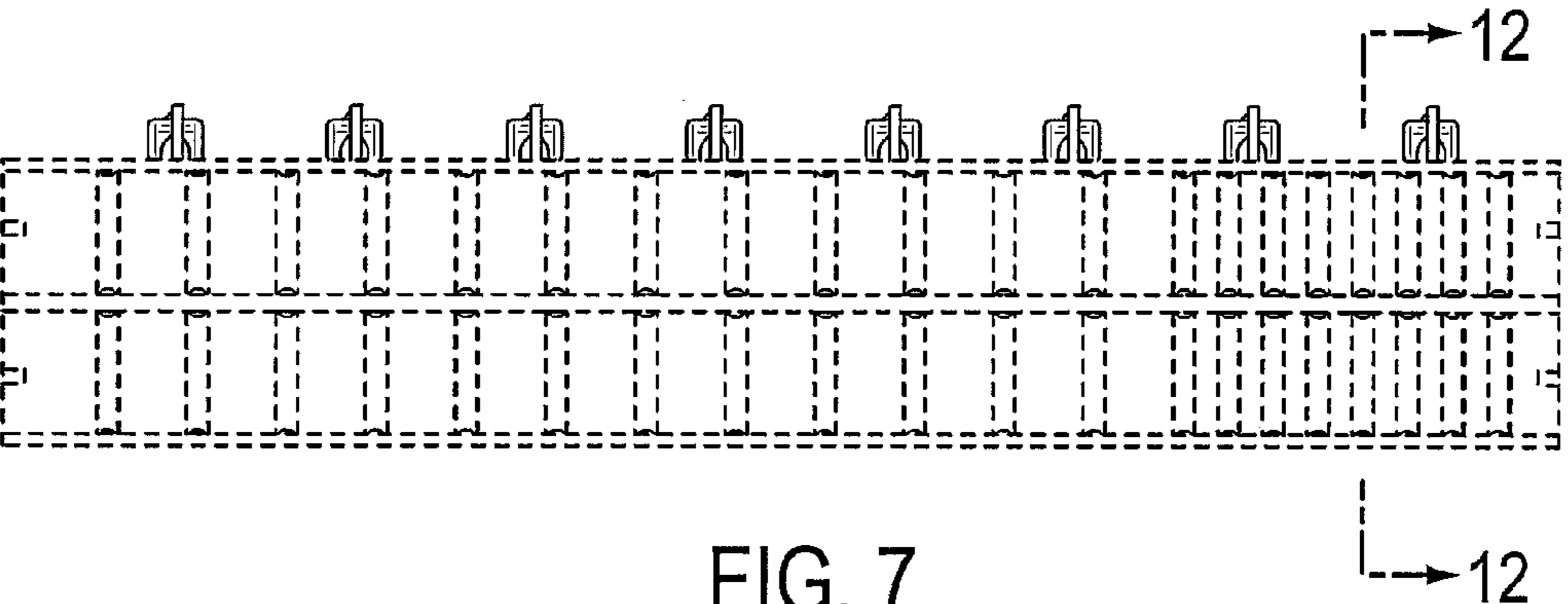


FIG. 7

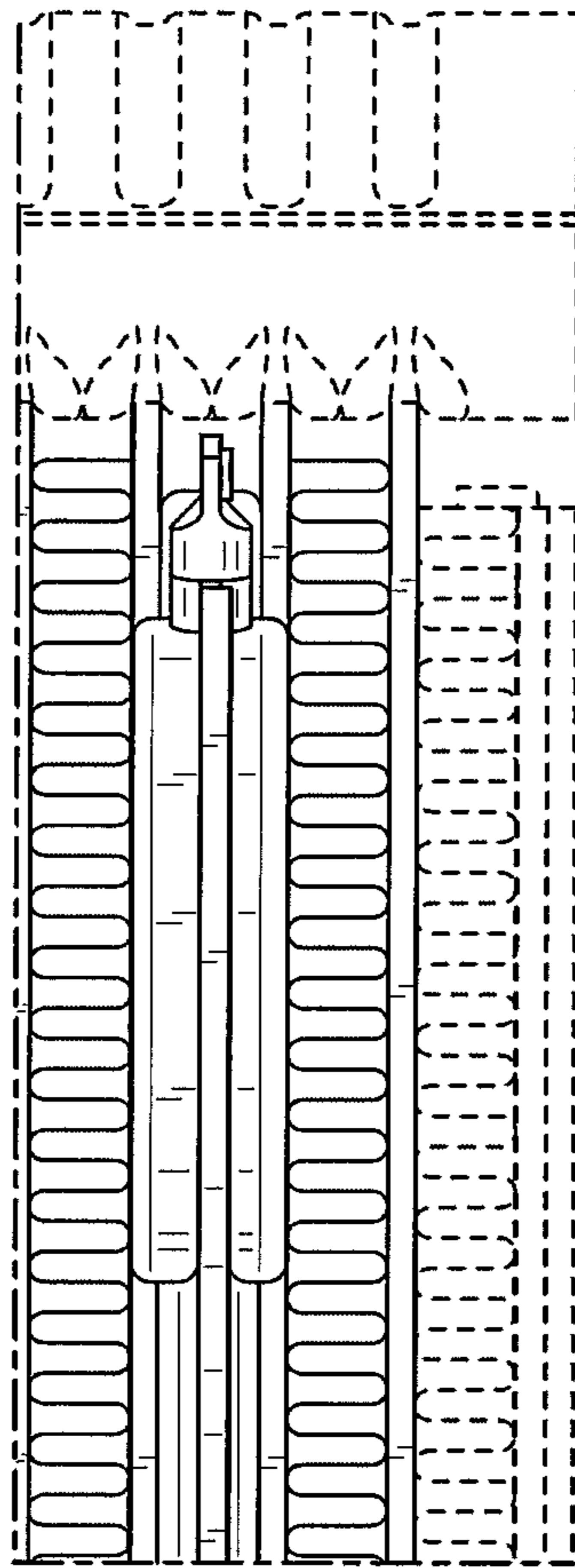


FIG. 8

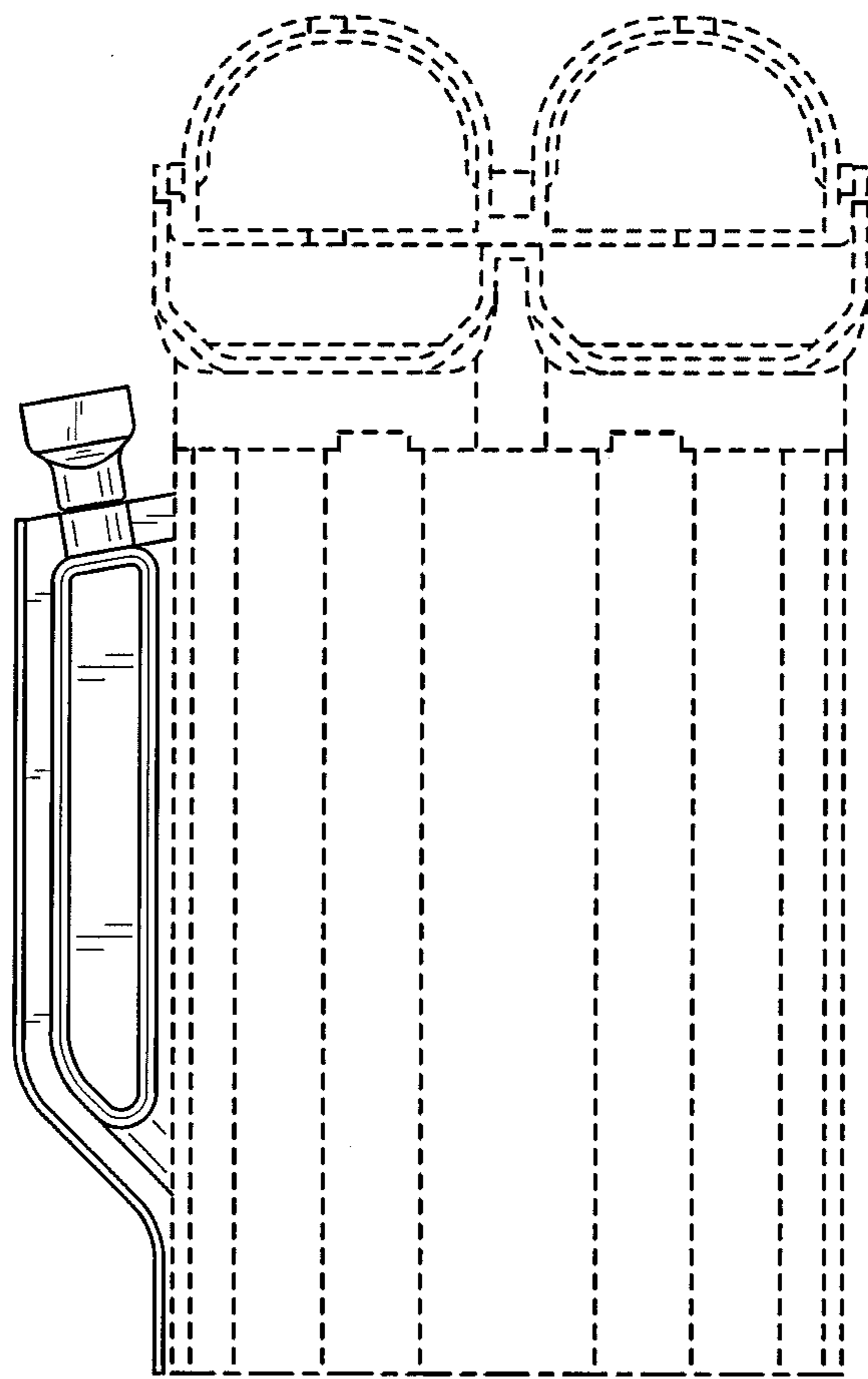


FIG. 9



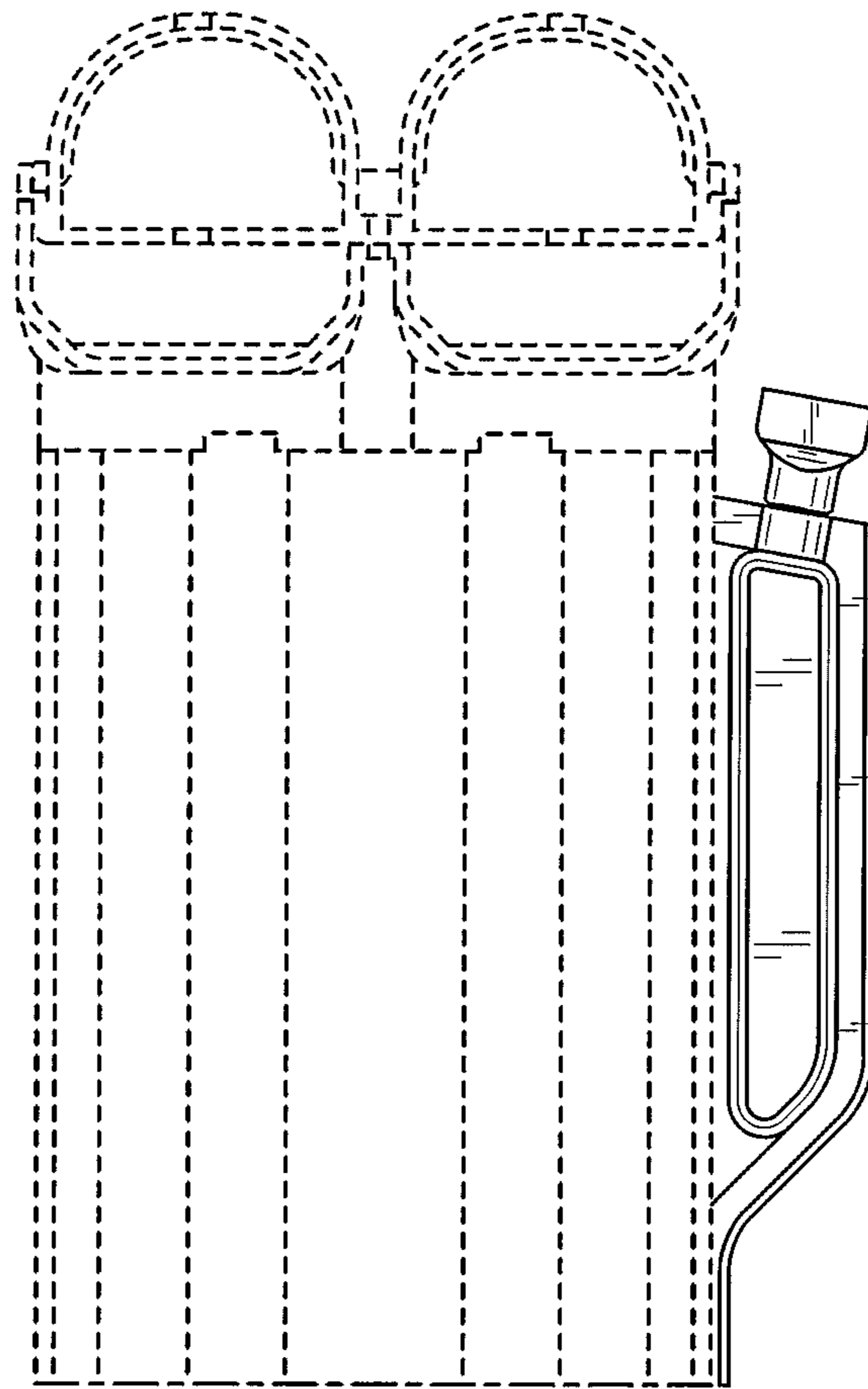


FIG. 10

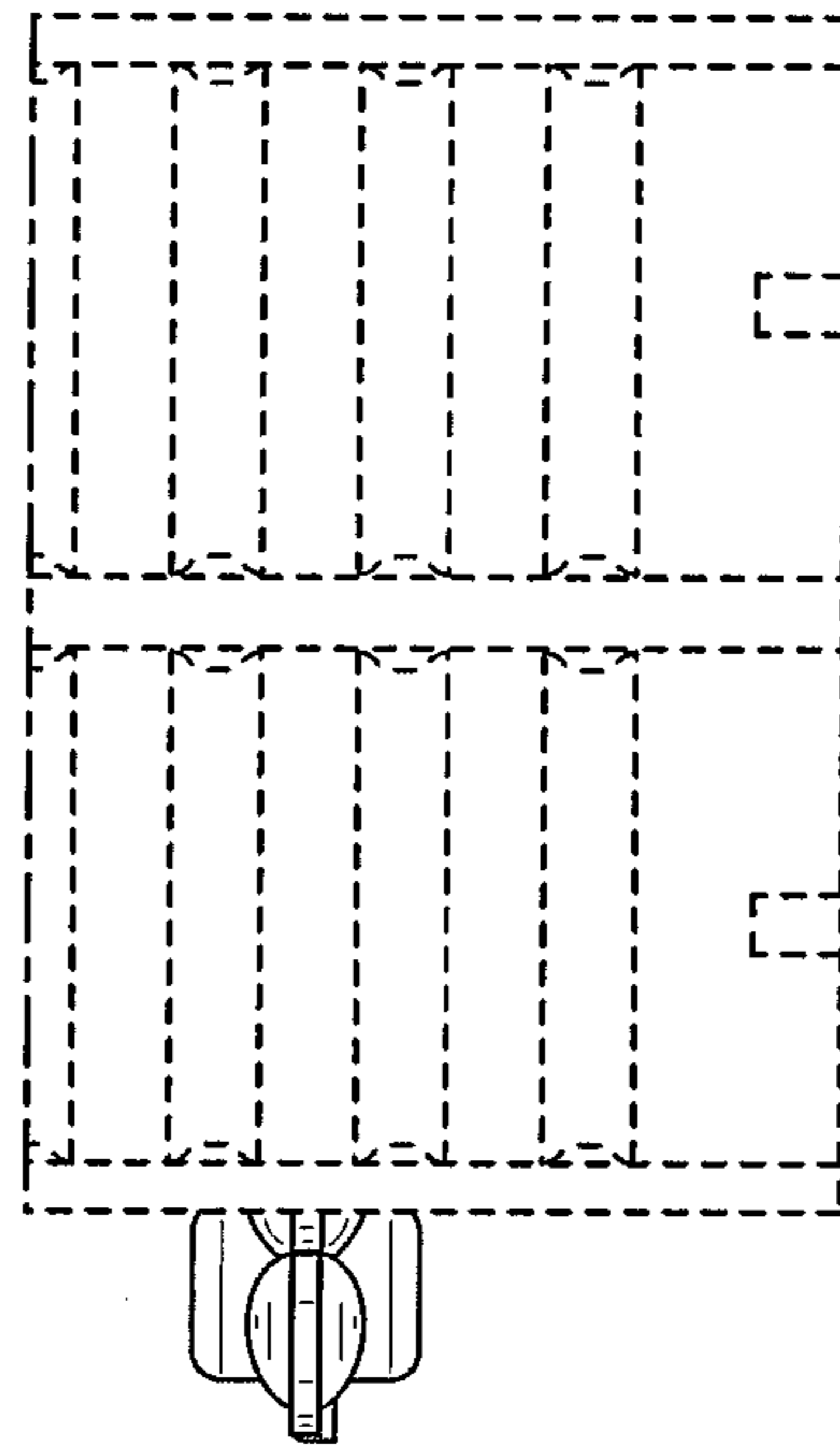


FIG. 11

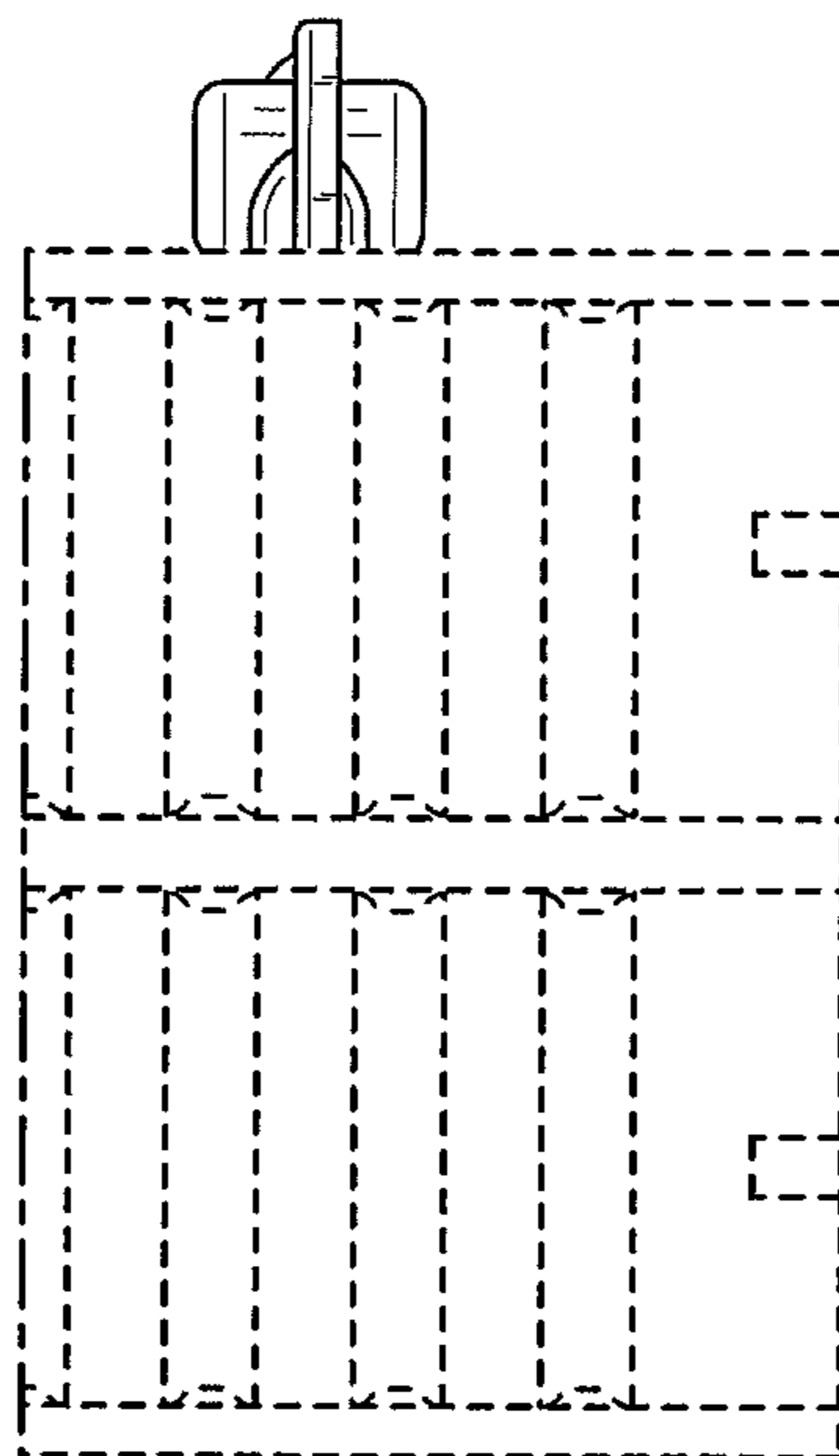


FIG. 12