



US00D738993S

(12) **United States Design Patent**  
**Spangler**

(10) **Patent No.:** **US D738,993 S**

(45) **Date of Patent:** **\*\* Sep. 15, 2015**

(54) **TUB**

(71) Applicant: **DELTA FAUCET COMPANY,**  
Indianapolis, IN (US)

(72) Inventor: **Anthony Spangler,** Indianapolis, IN  
(US)

(73) Assignee: **DELTA FAUCET COMPANY,**  
Indianapolis, IN (US)

(\*\*) Term: **14 Years**

(21) Appl. No.: **29/518,585**

(22) Filed: **Feb. 25, 2015**

**Related U.S. Application Data**

(62) Division of application No. 29/456,697, filed on Jun. 3,  
2013, now Pat. No. Des. 728,760.

(51) **LOC (10) Cl.** ..... **23-02**

(52) **U.S. Cl.**  
USPC ..... **D23/277**

(58) **Field of Classification Search**  
USPC ..... D23/275, 277, 280.1, 303-304, 306  
CPC ..... A47K 4/00; A47K 3/02  
See application file for complete search history.

(56) **References Cited**

U.S. PATENT DOCUMENTS

D440,640	S	*	4/2001	Walsh	.....	D23/277
D482,763	S	*	11/2003	Thomas	.....	D23/280.1
D484,954	S	*	1/2004	Painter et al.	.....	D23/277
D539,393	S	*	3/2007	Hashida	.....	D23/277
D560,768	S	*	1/2008	Smith	.....	D23/280.1
D594,940	S	*	6/2009	Bates	.....	D23/277
D633,603	S	*	3/2011	Su	.....	D23/280.1
D638,524	S	*	5/2011	Thomas	.....	D23/280.1

\* cited by examiner

*Primary Examiner* — Robert Delehanty

(74) *Attorney, Agent, or Firm* — Edgar A. Zarins; Nirav D. Parikh

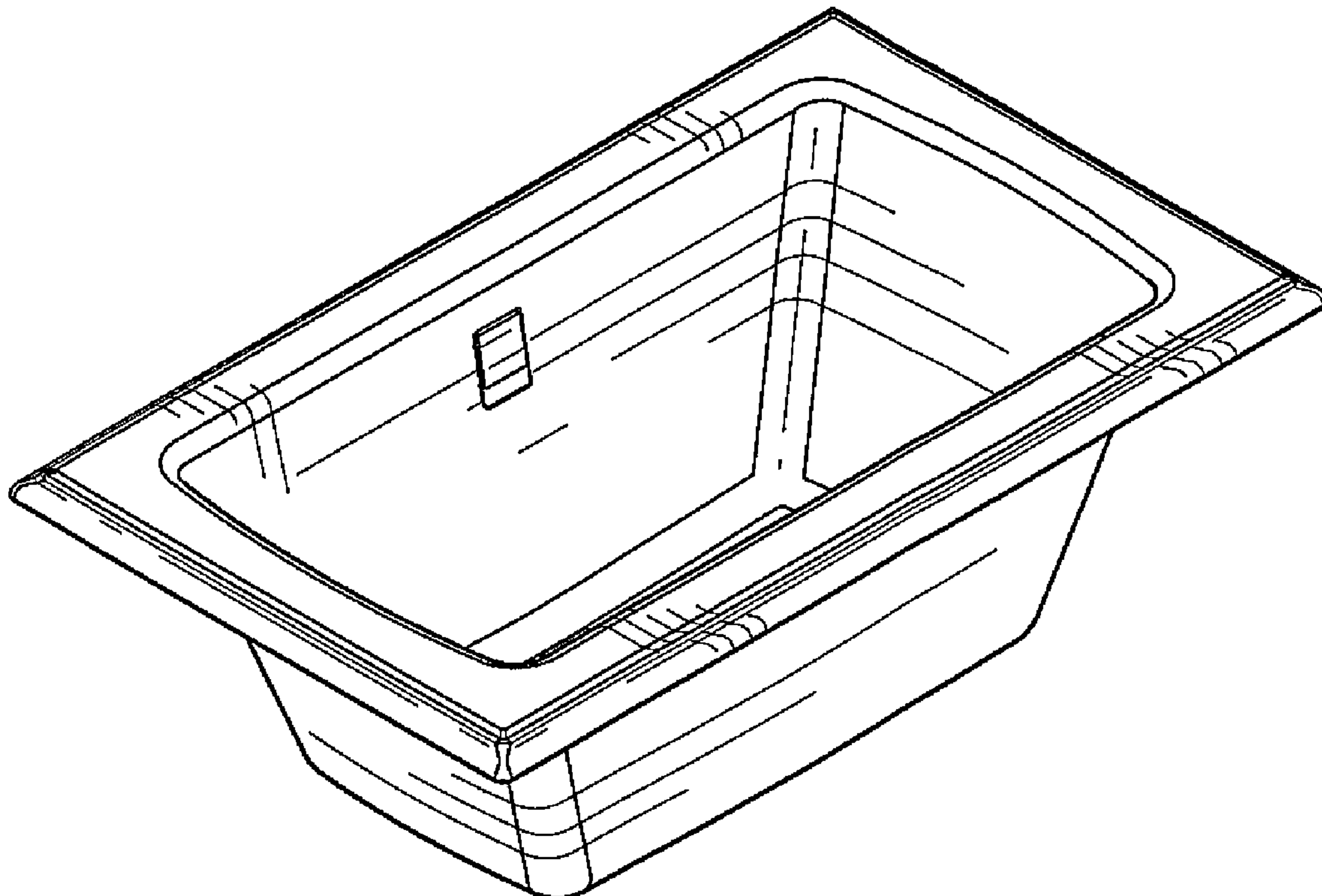
(57) **CLAIM**

The ornamental design for a tub, as shown and described.

**DESCRIPTION**

FIG. 1 is a perspective view of a tub showing my new design;  
FIG. 2 is a rear perspective view thereof;  
FIG. 3 is a first end view thereof;  
FIG. 4 is a second end view thereof;  
FIG. 5 is a first side view thereof;  
FIG. 6 is a second side view thereof;  
FIG. 7 is a top plan view thereof; and,  
FIG. 8 is a bottom view thereof.

**1 Claim, 3 Drawing Sheets**



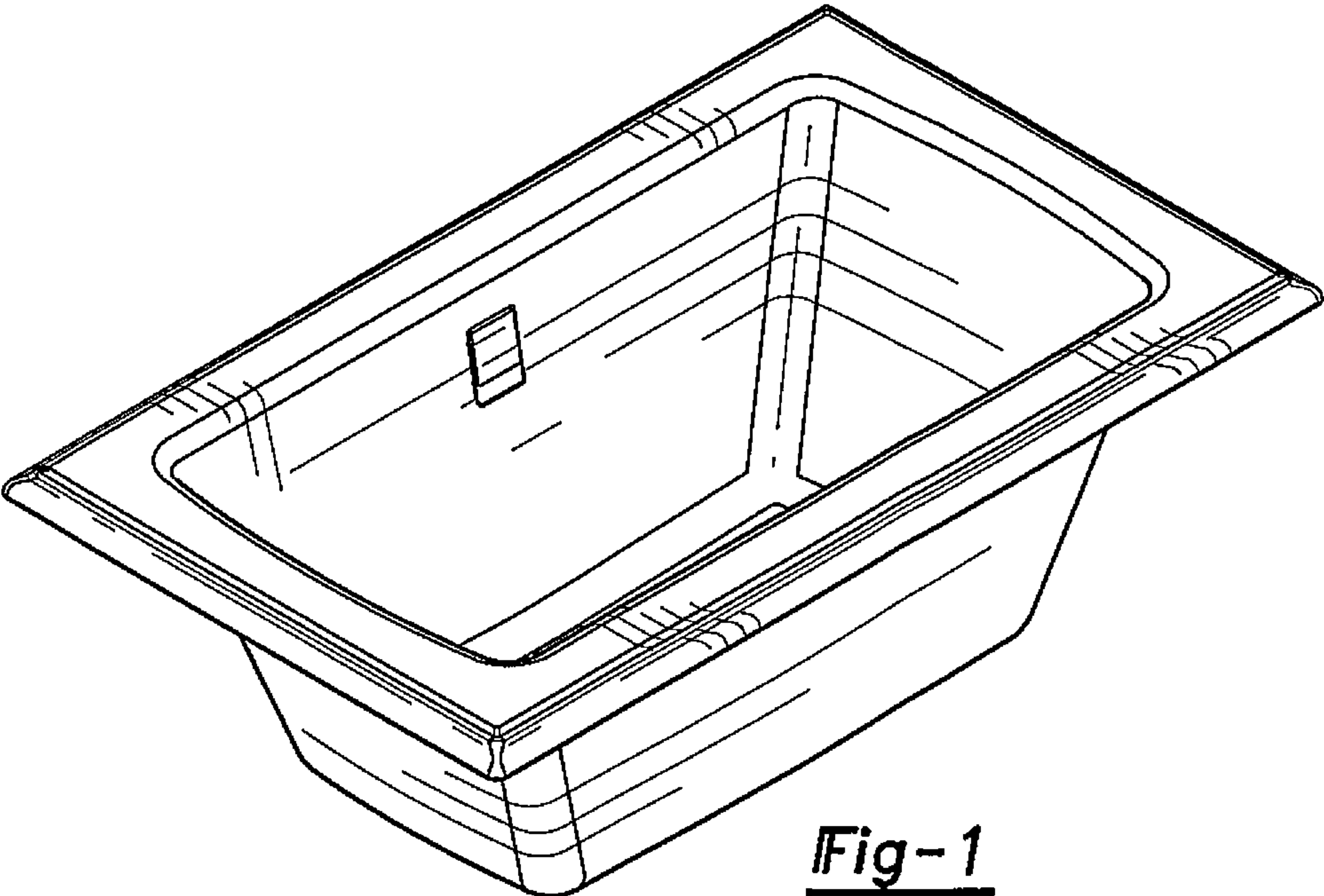


Fig-1

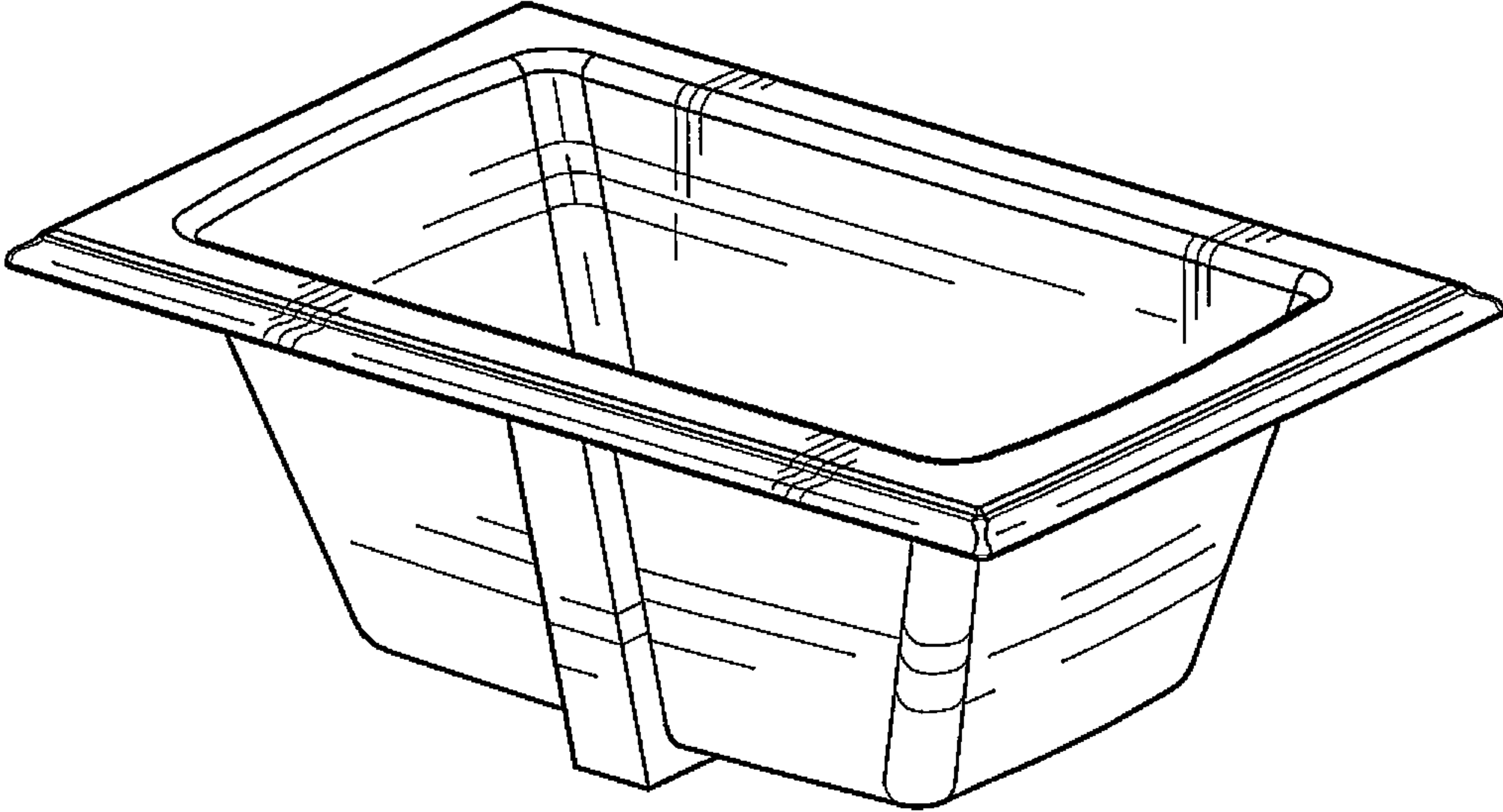


Fig-2

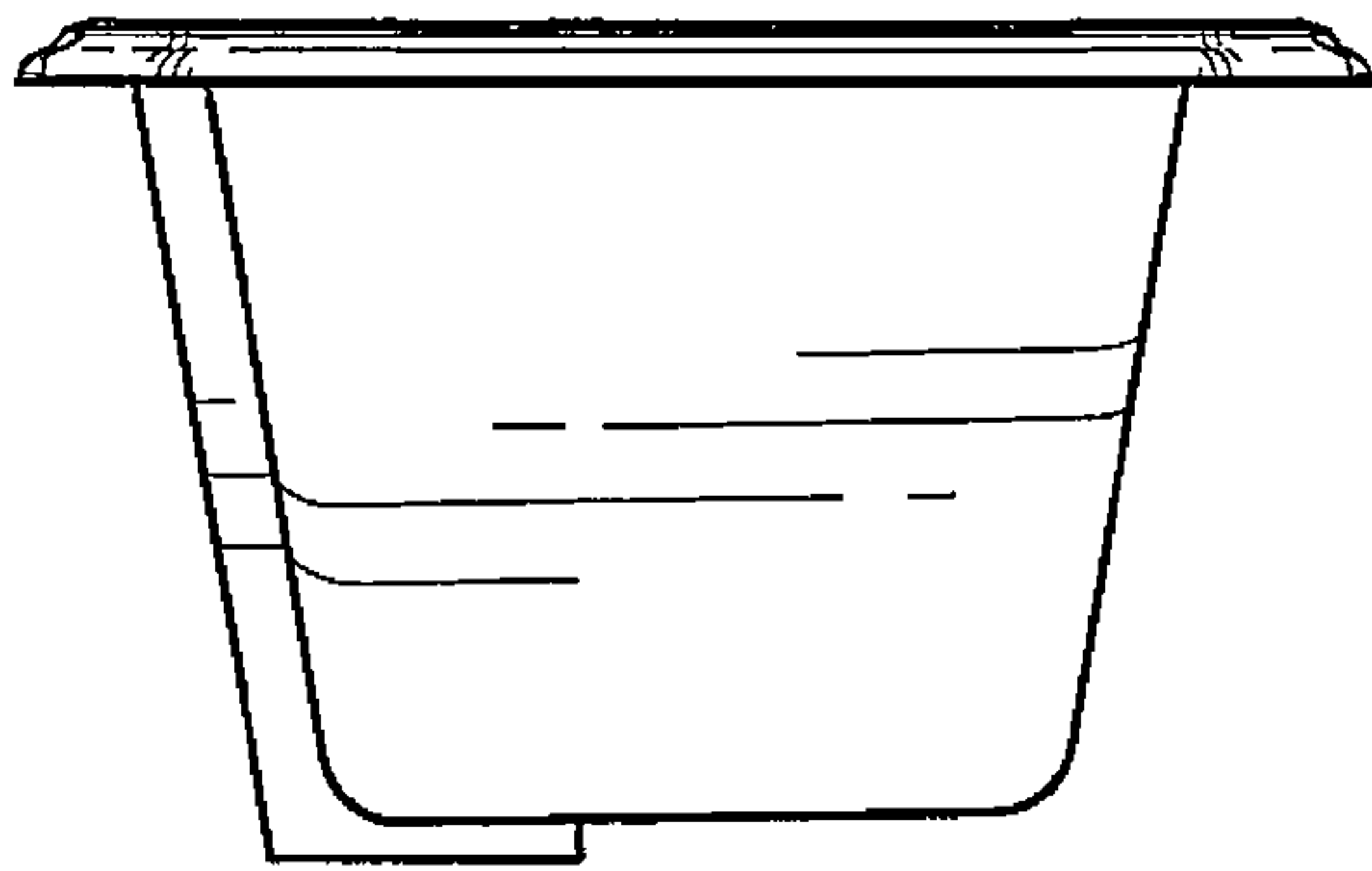


Fig-3

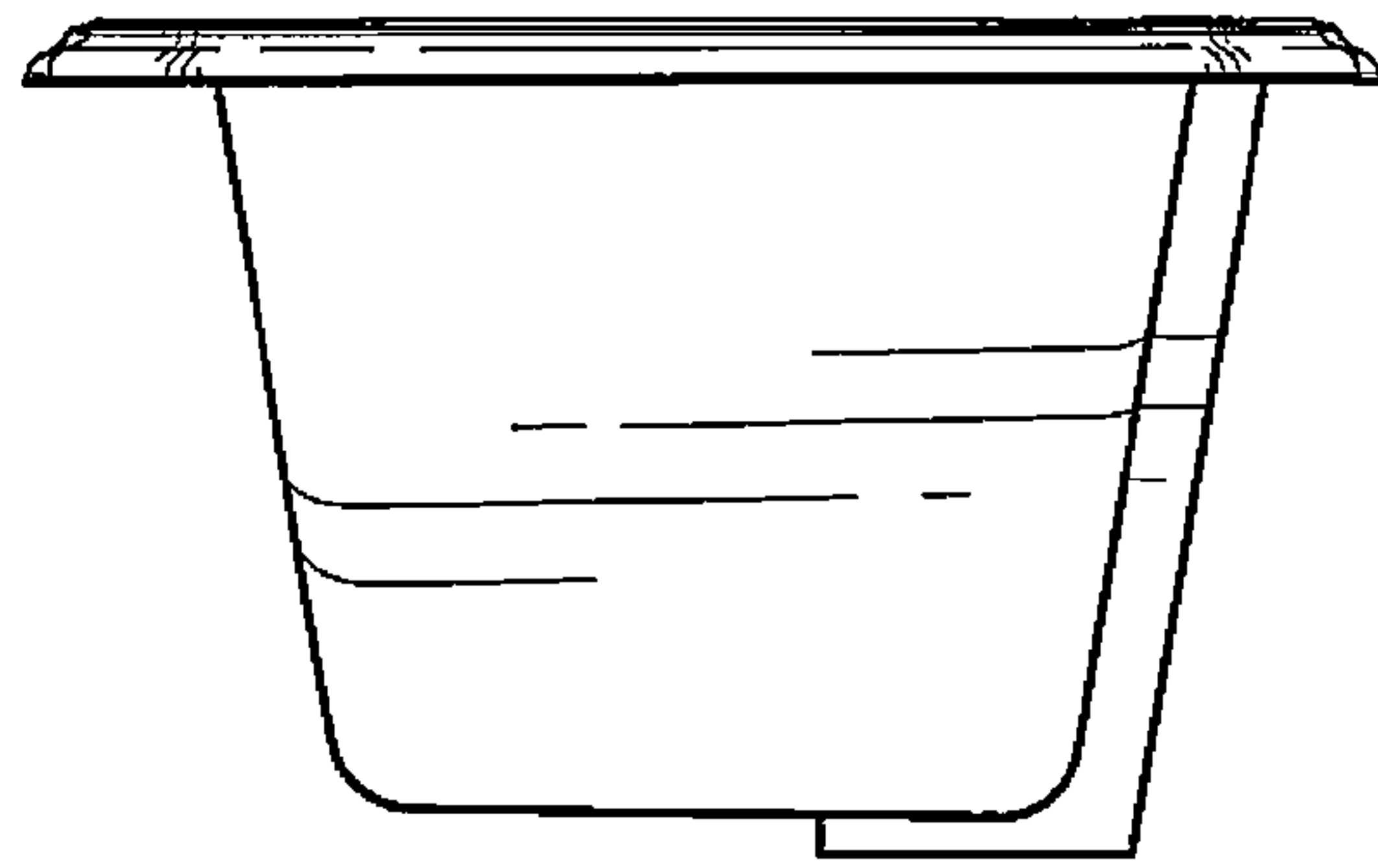


Fig-4

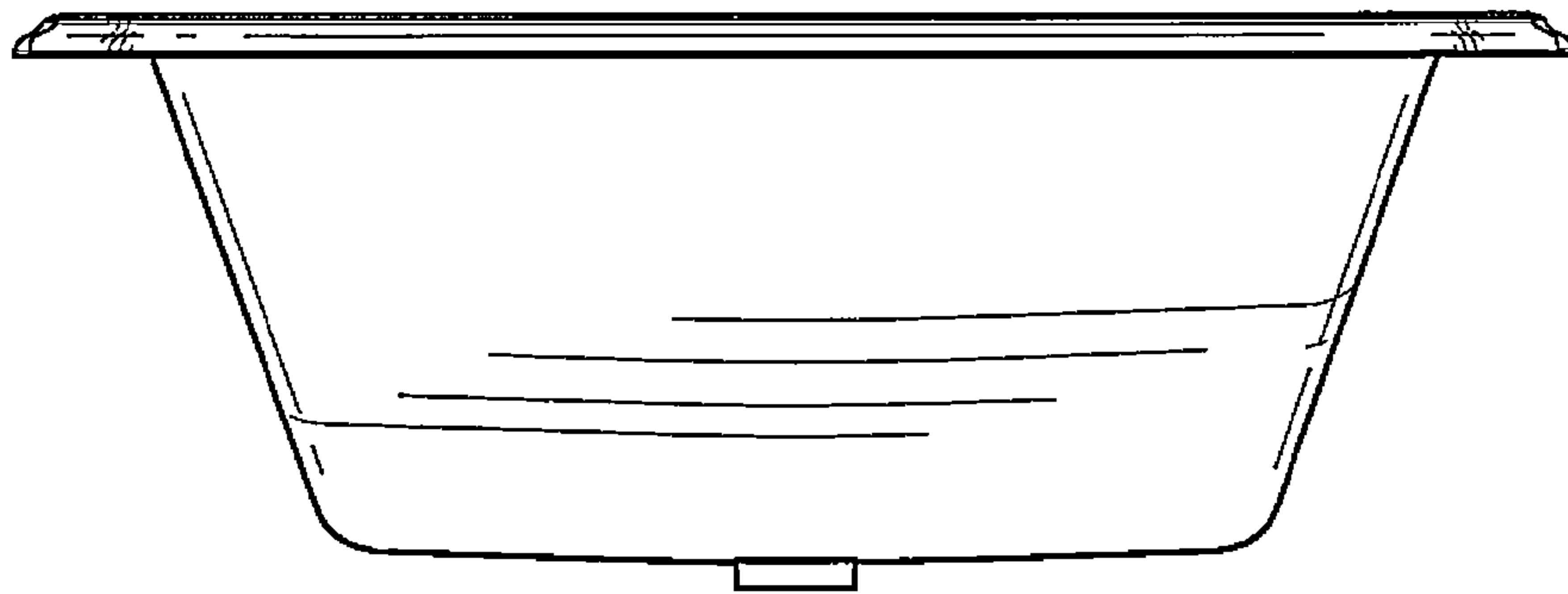


Fig-5

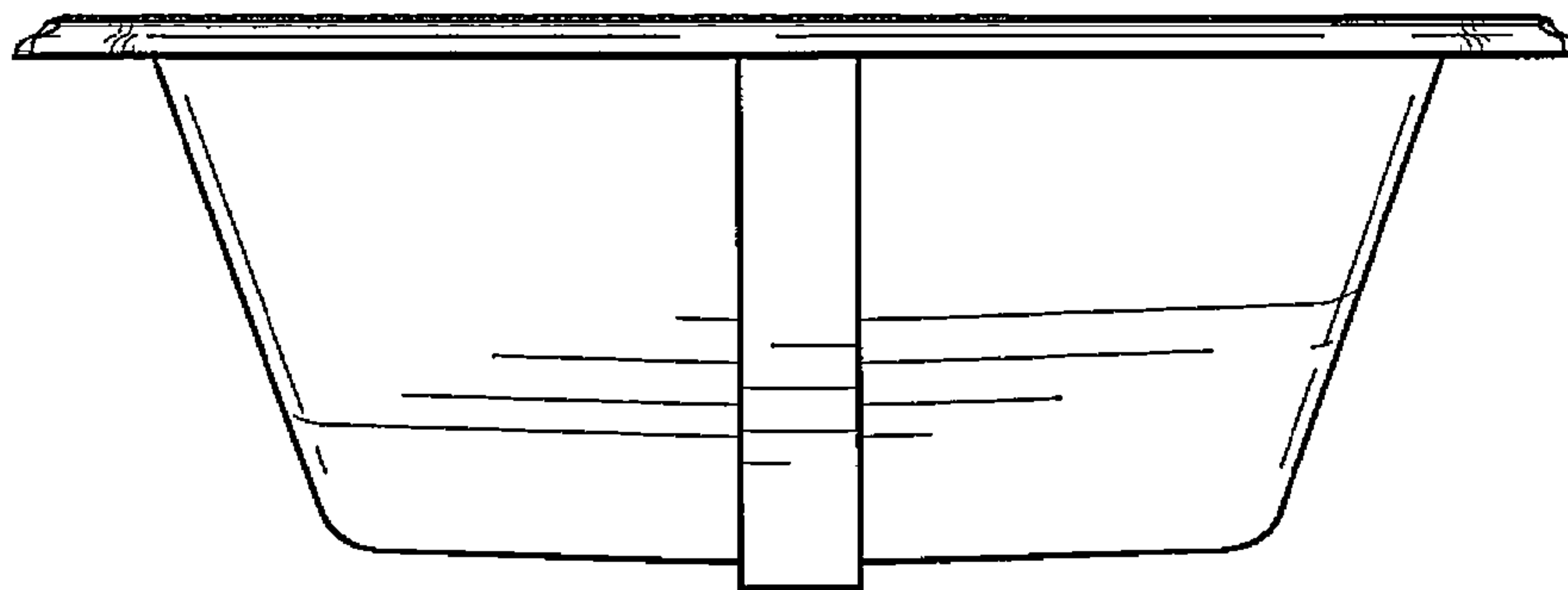


Fig-6

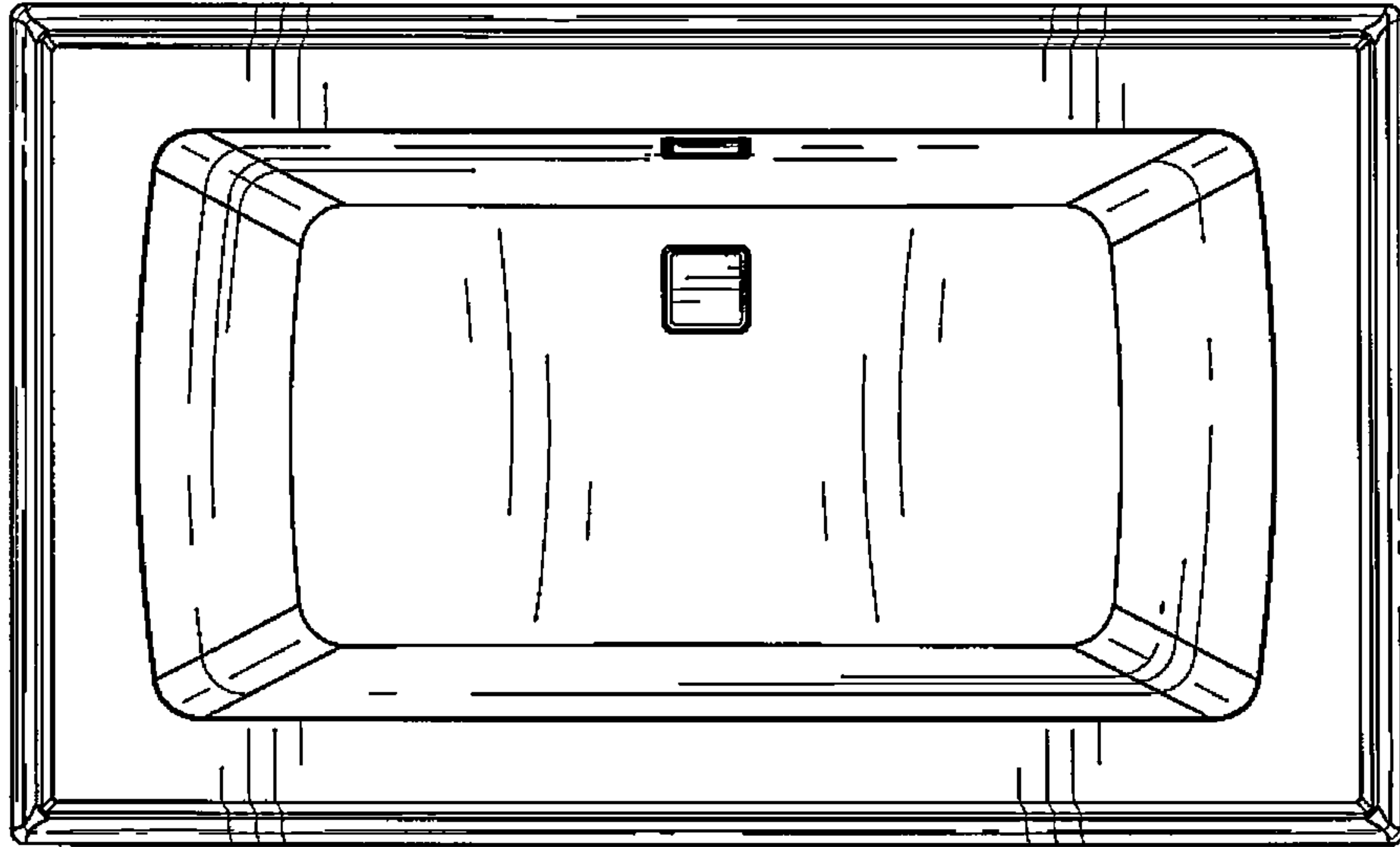


Fig-7

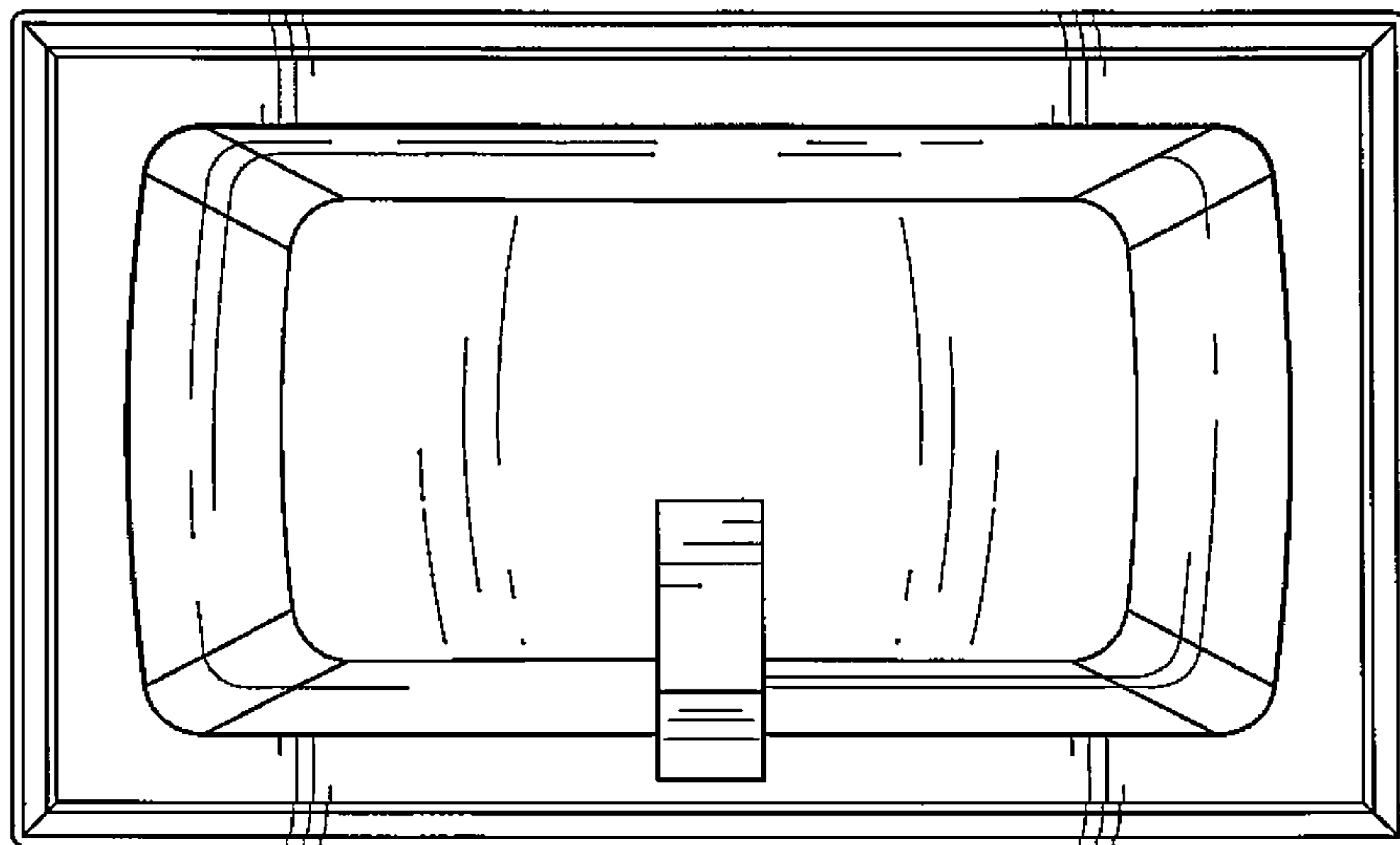


Fig-8