



US00D738992S

(12) **United States Design Patent**  
**Flowers et al.**

(10) **Patent No.:** **US D738,992 S**  
(45) **Date of Patent:** **\*\* Sep. 15, 2015**

(54) **SHOWER THERMOSTAT**

(56) **References Cited**

(71) Applicant: **Grohe AG**, Hemer (DE)

U.S. PATENT DOCUMENTS

(72) Inventors: **Paul Flowers**, Duesseldorf (DE); **Hans Lobermeier**, Menden (DE)

D397,770 S *	9/1998	Lobermeier	.....	D23/250
D397,771 S *	9/1998	Lobermeier	.....	D23/254
D416,987 S *	11/1999	Mullenmeister	.....	D23/254
D418,582 S *	1/2000	Gottwald et al.	.....	D23/254
D430,923 S *	9/2000	Fleischmann	.....	D23/250
D469,514 S *	1/2003	Spangler	.....	D23/252
D700,294 S *	2/2014	Flowers et al.	.....	D23/254

(73) Assignee: **GROHE AG**, Hemer (DE)

\* cited by examiner

(\*\*) Term: **14 Years**

*Primary Examiner* — Robert Delehanty

(21) Appl. No.: **29/513,699**

(74) *Attorney, Agent, or Firm* — Muncy, Geissler, Olds & Lowe, P.C.

(22) Filed: **Jan. 5, 2015**

(57) **CLAIM**

The ornamental design for a shower thermostat, as shown and described.

(30) **Foreign Application Priority Data**

**DESCRIPTION**

Jul. 3, 2014 (EM) ..... 002495937-0004

FIG. 1 is a front perspective view of a shower thermostat according to the present invention.

(51) **LOC (10) Cl.** ..... **23-01**

FIG. 2 is a left side view of the shower thermostat of FIG. 1.

(52) **U.S. Cl.**

USPC ..... **D23/254**; D23/241

FIG. 3 is a right side view of the shower thermostat of FIG. 1.

(58) **Field of Classification Search**

USPC ..... D23/238–243, 249–250, 252, 254

CPC ..... E03C 1/04; E03C 1/0401; E03C 1/0402;  
E03C 1/0404

FIG. 4 is a top view of the shower thermostat of FIG. 1.

FIG. 5 is a bottom view of the shower thermostat of FIG. 1.

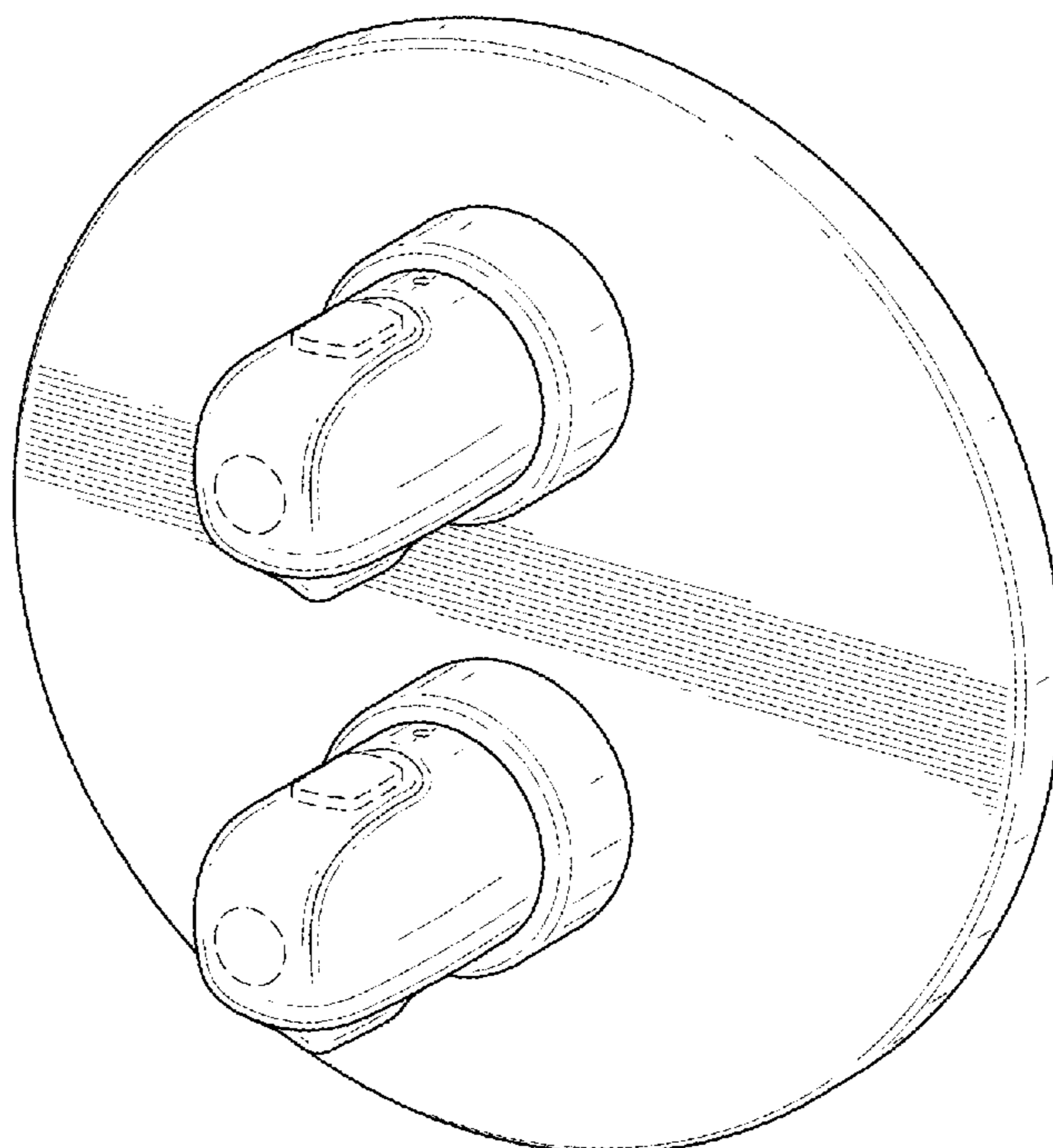
FIG. 6 is a front view of the shower thermostat of FIG. 1; and,

FIG. 7 is a rear view of the shower thermostat of FIG. 1.

The dashed lines illustrate environment that does not form a part of the present invention, and no claim is made to the material illustrated with dashed lines.

See application file for complete search history.

**1 Claim, 7 Drawing Sheets**



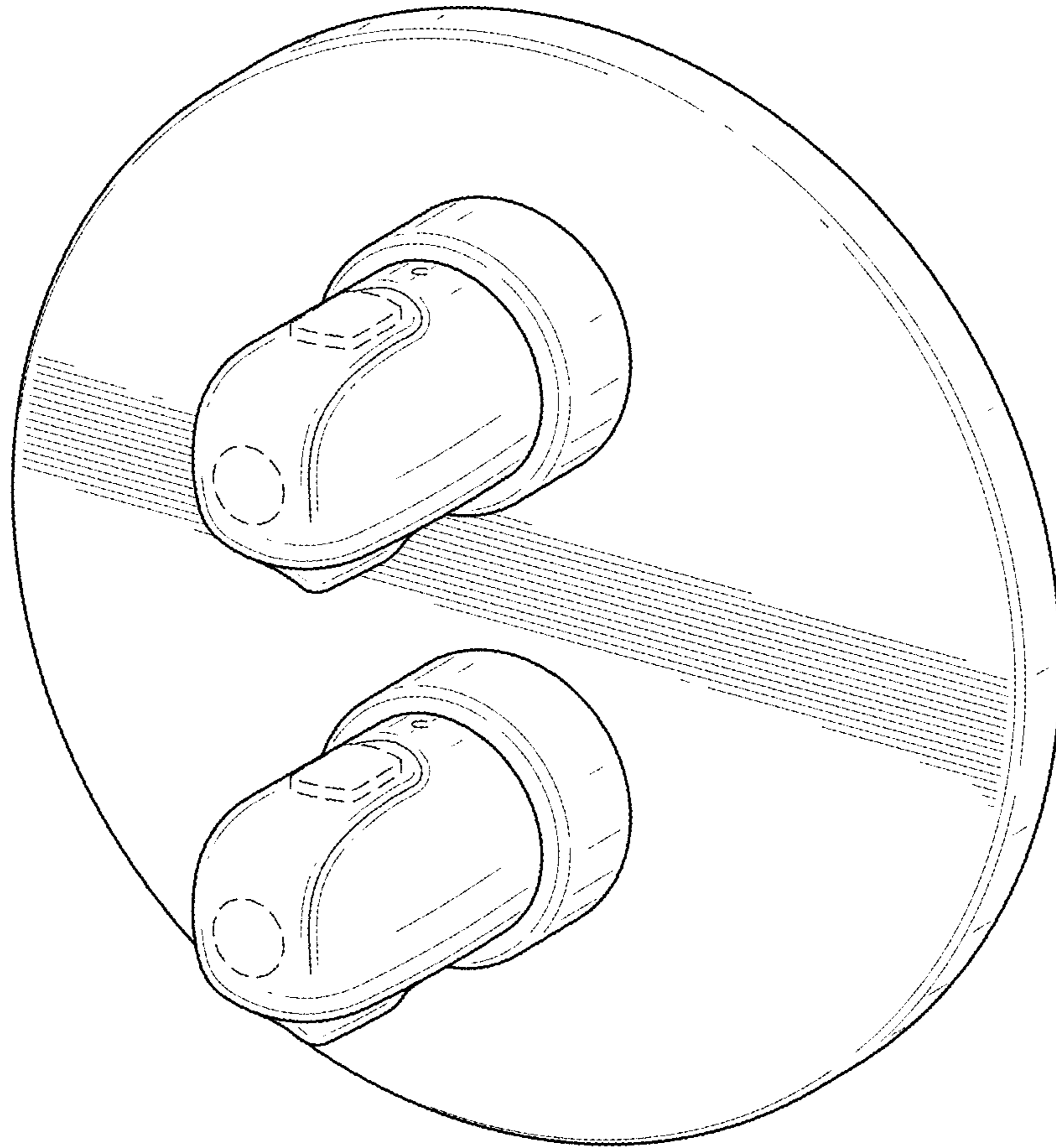


FIG.1

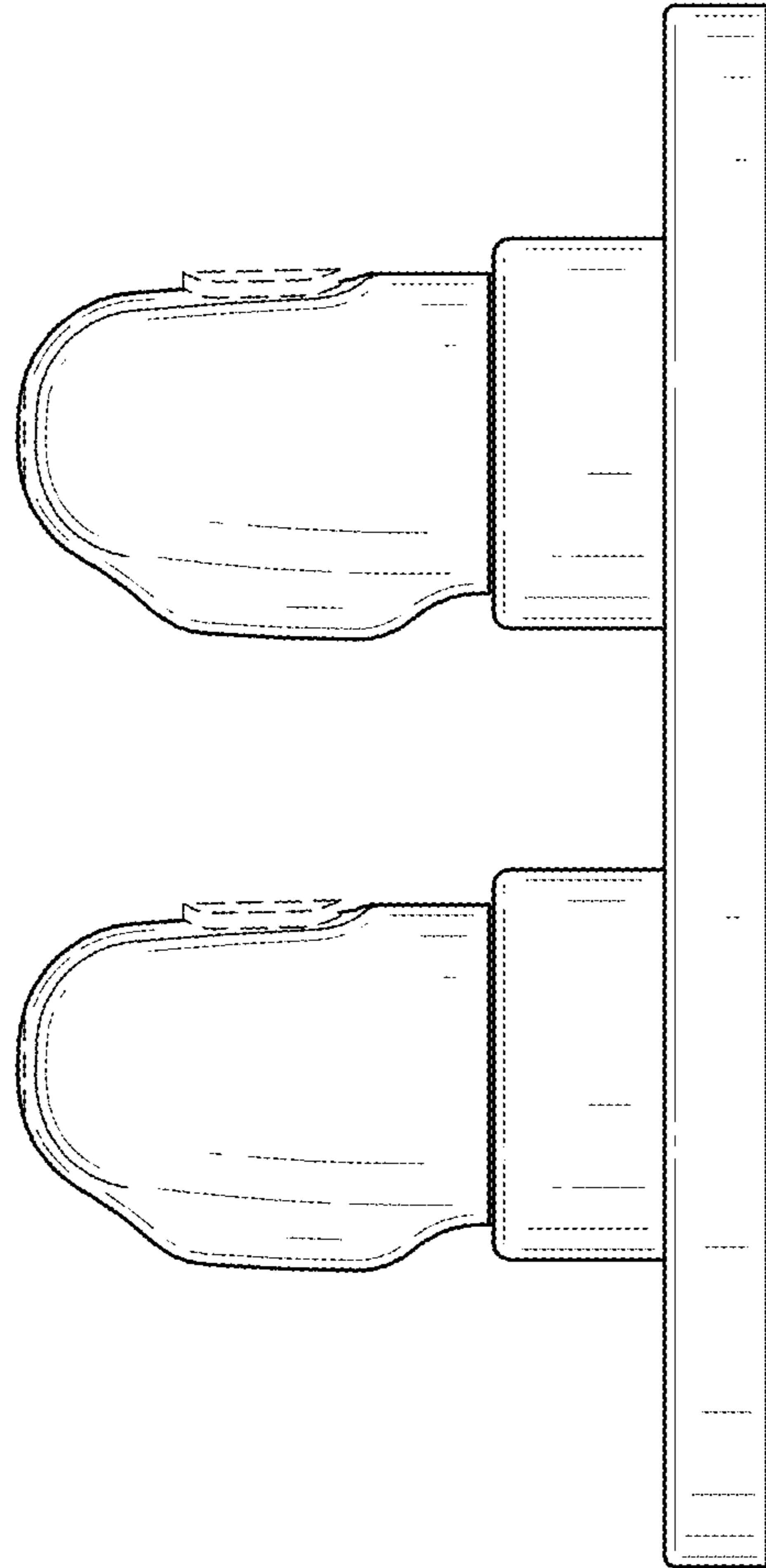


FIG.2

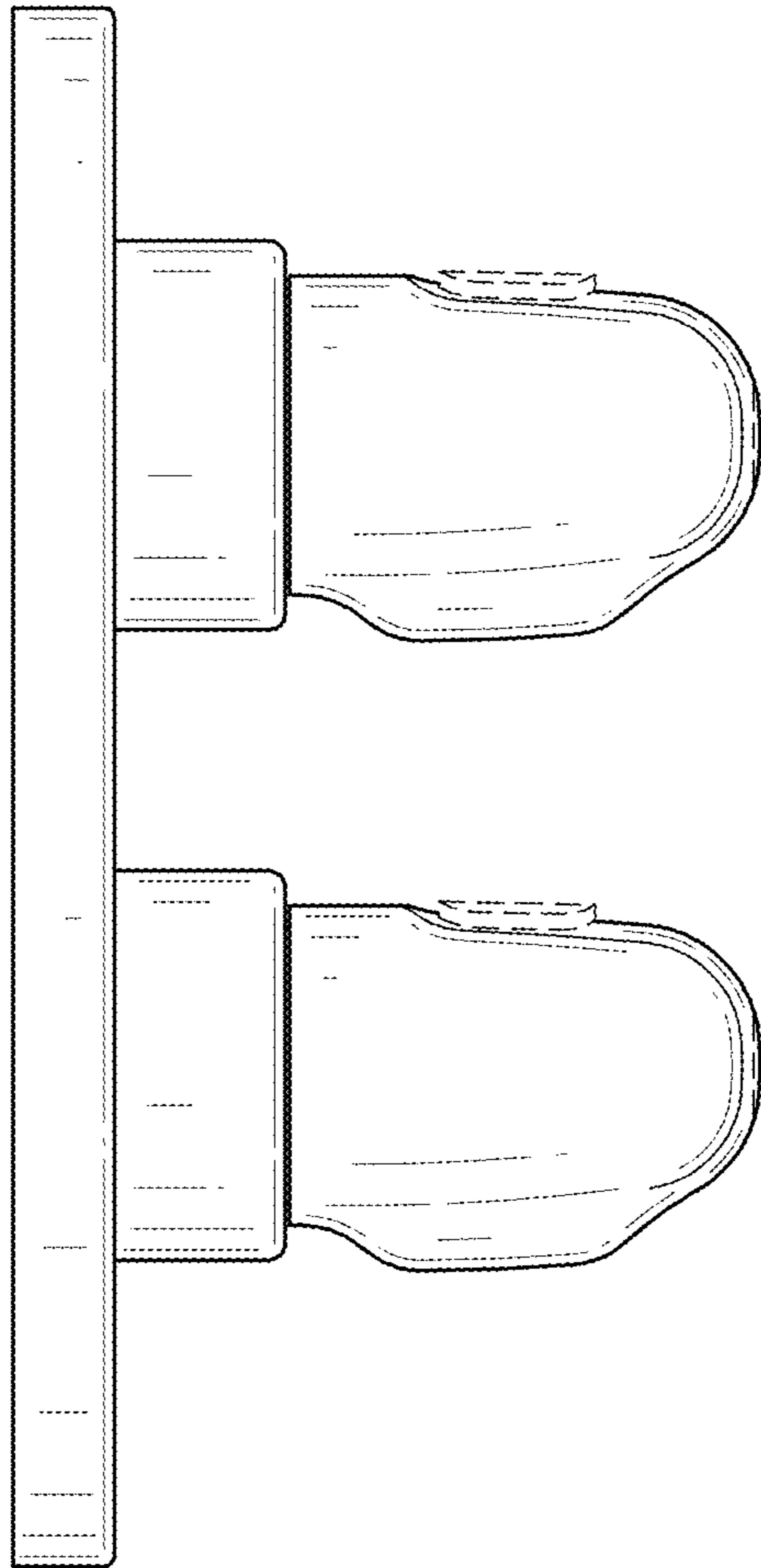


FIG.3

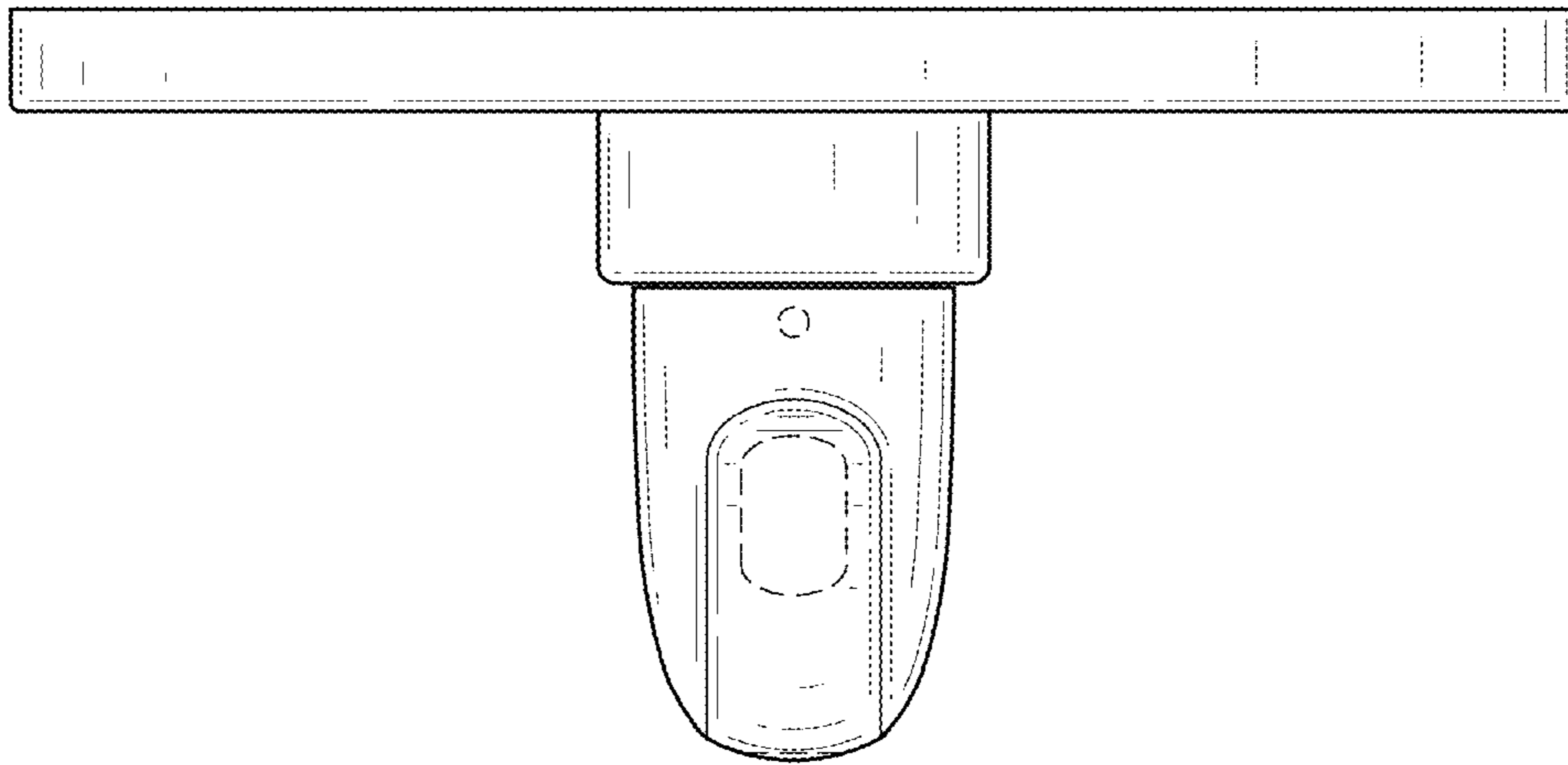


FIG.4

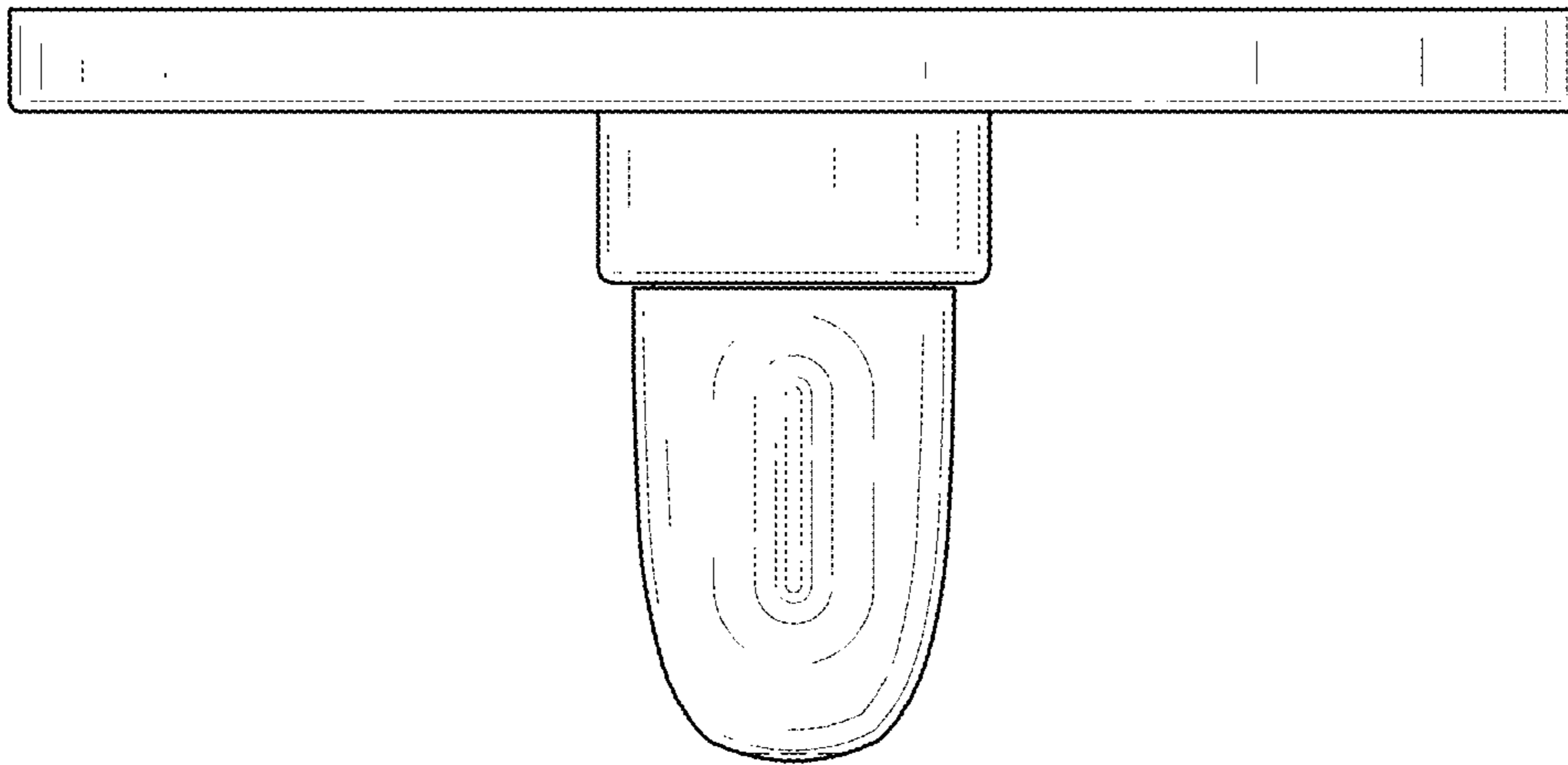


FIG.5

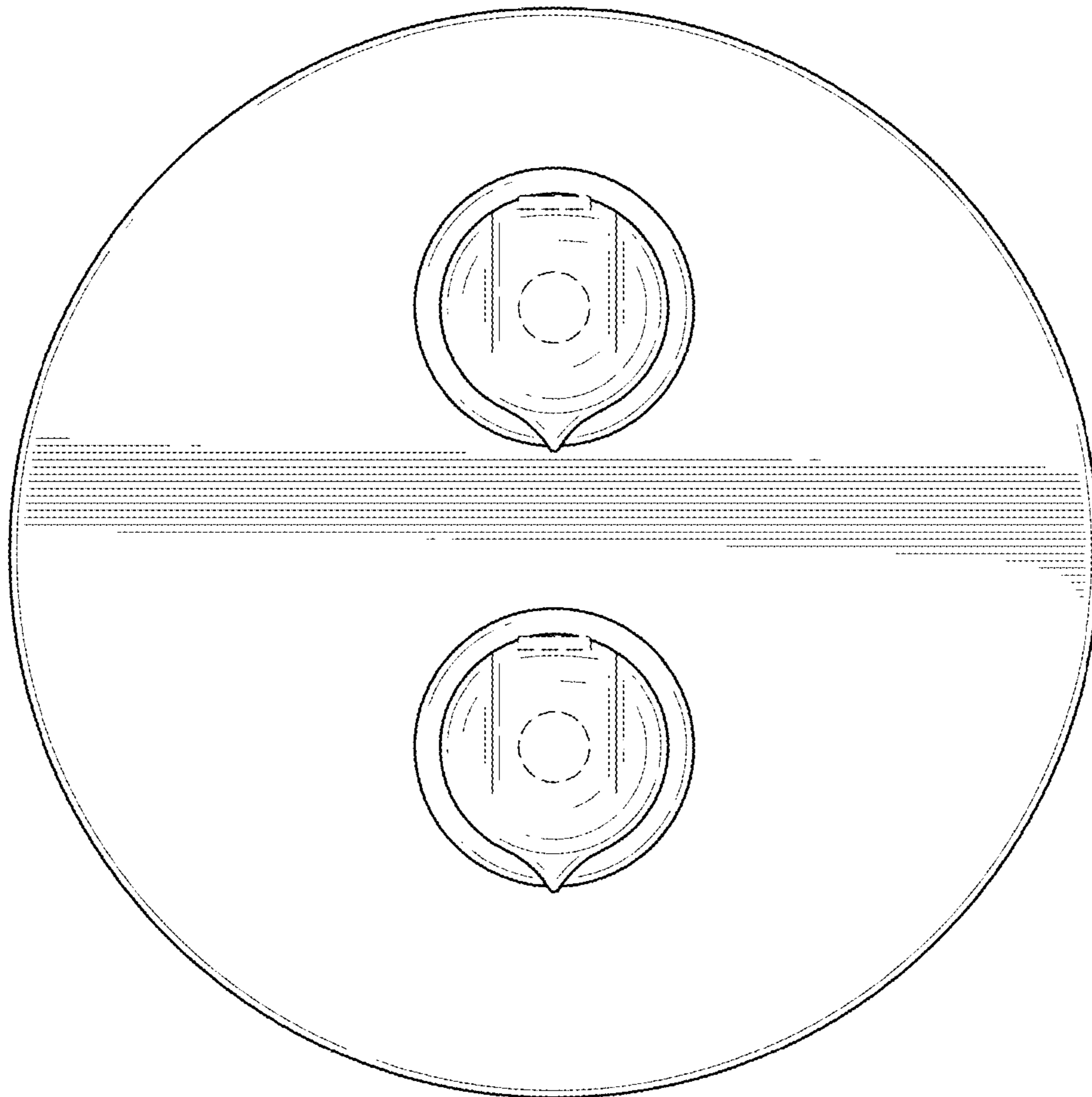


FIG. 6

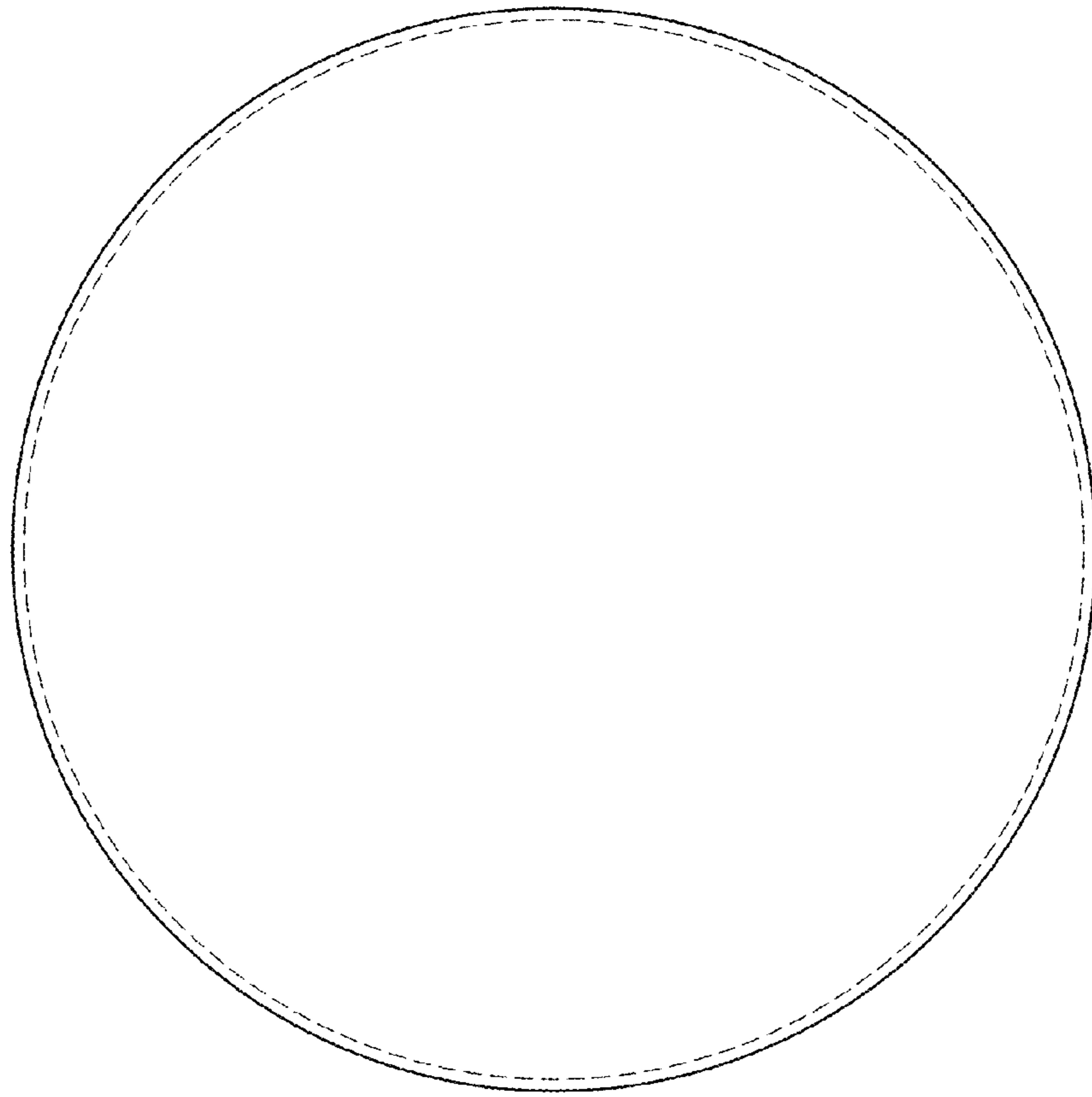


FIG.7