

US00D738991S

(12) **United States Design Patent**  
**Brodey et al.**

(10) **Patent No.:** **US D738,991 S**

(45) **Date of Patent:** **\*\* Sep. 15, 2015**

(54) **SHOWERHEAD**

(71) Applicant: **Durst Corporation, Inc.**, Cranford, NJ  
(US)

(72) Inventors: **Lawrence B. Brodey**, South Orange, NJ  
(US); **Christopher Pike**, Princeton, NJ  
(US)

(73) Assignee: **Durst Corporation, Inc.**, Cranford, NJ  
(US)

(\*\*) Term: **14 Years**

(21) Appl. No.: **29/473,888**

(22) Filed: **Nov. 26, 2013**

**Related U.S. Application Data**

(63) Continuation of application No. 29/415,324, filed on  
Mar. 9, 2012, now Pat. No. Des. 694,357.

(51) **LOC (10) Cl.** ..... **23-01**

(52) **U.S. Cl.**  
USPC ..... **D23/213**

(58) **Field of Classification Search**  
USPC ..... D23/213, 229, 230; 239/282, 283  
See application file for complete search history.

(56) **References Cited**

**U.S. PATENT DOCUMENTS**

D87,961 S 8/1932 Ferguson  
D297,160 S \* 8/1988 Robbins ..... D23/213

(Continued)

**OTHER PUBLICATIONS**

“Westbrass Polished Chrome 6" Flat Showerhead D3806-26,” eBay  
listing, believed to have been posted at least as early as Nov. 18, 2010,  
at <http://www.ebay.com/itm/Westbrass-Polished-Chrome-6-Flat-Showerhead-D3806-26-/290468831188> (5 pages, including eBay  
revision summary for listing).

(Continued)

*Primary Examiner* — Robin V Webster

(74) *Attorney, Agent, or Firm* — McCarter & English, LLP

(57) **CLAIM**

What is claimed is an ornamental design for a showerhead, as  
shown and described.

**DESCRIPTION**

FIG. 1 is a perspective view of an ornamental design for a  
showerhead;

FIGS. 2-7 are left, right, front, back, top, and bottom views,  
respectively, of the ornamental design shown in FIG. 1;

FIG. 8 is a perspective view of another embodiment of the  
ornamental design for a showerhead;

FIGS. 9-14 are left, right, front, back, top, and bottom views,  
respectively, of the ornamental design shown in FIG. 8;

FIG. 15 is a perspective view of another embodiment of the  
ornamental design for a showerhead;

FIGS. 16-21 are left, right, front, back, top, and bottom views,  
respectively, of the ornamental design shown in FIG. 15;

FIG. 22 is a perspective view of another embodiment of an  
ornamental design for a showerhead;

FIGS. 23-28 are left, right, front, back, top, and bottom views,  
respectively, of the ornamental design shown in FIG. 22;

FIG. 29 is a perspective view of another embodiment of an  
ornamental design for a showerhead;

FIGS. 30-35 are left, right, front, back, top, and bottom views,  
respectively, of the ornamental design shown in FIG. 29;

FIG. 36 is a perspective view of another embodiment of an  
ornamental design for a showerhead;

FIGS. 37-42 are left, right, front, back, top, and bottom views,  
respectively, of the ornamental design shown in FIG. 36;

FIG. 43 is a perspective view of another embodiment of an  
ornamental design for a showerhead;

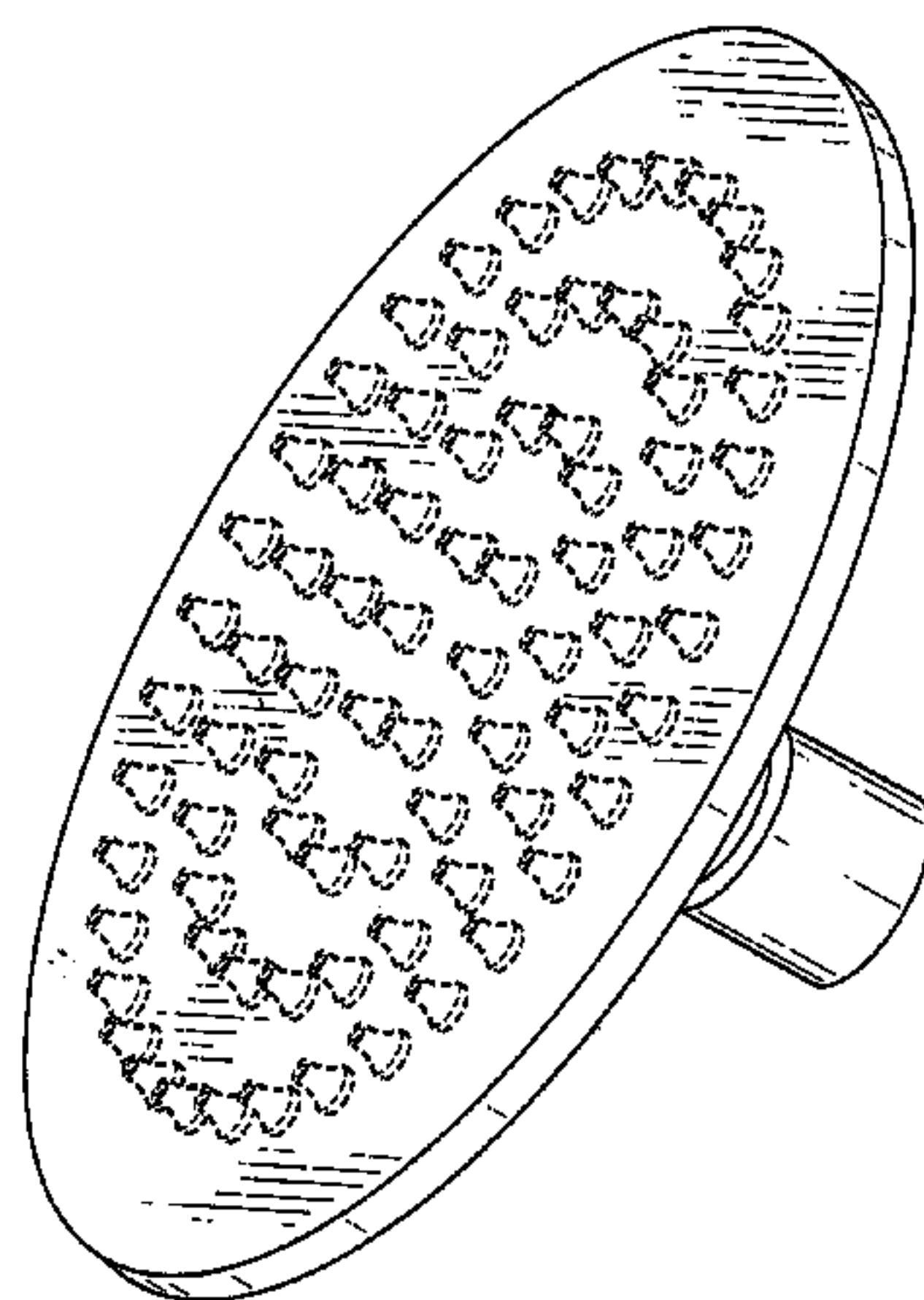
FIGS. 44-49 are left, right, front, back, top, and bottom views,  
respectively, of the ornamental design shown in FIG. 43;

FIG. 50 is a perspective view of another embodiment of an  
ornamental design for a showerhead; and,

FIGS. 51-56 are left, right, front, back, top, and bottom views,  
respectively, of the ornamental design shown in FIG. 50.

The broken lines shown herein are for illustrative purposes  
only, and form no part of the claimed design.

**1 Claim, 48 Drawing Sheets**



(56)

References Cited

U.S. PATENT DOCUMENTS

D328,944 S 8/1992 Robbins  
 6,042,027 A 3/2000 Sandvik  
 6,250,572 B1 6/2001 Chen  
 D461,525 S 8/2002 Lai  
 D475,433 S 6/2003 Citterio  
 D487,498 S 3/2004 Blomstrom  
 D495,778 S 9/2004 Jorgensen et al.  
 D496,987 S 10/2004 Glunk  
 D500,121 S 12/2004 Blomstrom  
 D500,549 S 1/2005 Blomstrom  
 D500,839 S 1/2005 Blomstrom  
 D501,242 S 1/2005 Blomstrom  
 D504,936 S 5/2005 Yeager  
 D512,119 S 11/2005 Haug et al.  
 D512,120 S 11/2005 Haug et al.  
 D514,197 S 1/2006 Gilbert  
 D517,164 S 3/2006 Lee  
 D523,520 S 6/2006 Theberge  
 D523,925 S 6/2006 Hoernig  
 D530,389 S 10/2006 Genslak et al.  
 D531,260 S 10/2006 Luo et al.  
 D531,262 S 10/2006 Tse  
 D532,076 S 11/2006 Mazzola  
 D538,391 S 3/2007 Mazzola  
 D540,427 S 4/2007 Bouroullec et al.  
 D546,413 S 7/2007 Sedwick  
 D552,713 S 10/2007 Rexach  
 D556,855 S 12/2007 Mullenmeister et al.  
 D557,763 S 12/2007 Schoenherr et al.  
 D558,301 S 12/2007 Hoernig  
 D559,952 S 1/2008 Bickler et al.  
 D562,937 S 2/2008 Schoenherr et al.  
 D564,071 S 3/2008 Tsai  
 D566,228 S 4/2008 Neagoie  
 D578,180 S 10/2008 Sieger  
 D587,339 S 2/2009 Schoenherr et al.  
 D590,046 S 4/2009 Starck  
 D593,640 S \* 6/2009 Schoenherr et al. .... D23/213  
 D598,520 S 8/2009 Flowers et al.  
 D607,970 S 1/2010 Schoenherr et al.  
 D612,010 S 3/2010 Schoenherr et al.  
 D613,370 S 4/2010 Allard et al.  
 7,721,979 B2 5/2010 Mazzola  
 D624,155 S 9/2010 Yokoyama et al.  
 D626,622 S 11/2010 Gessi  
 D626,623 S 11/2010 Gessi  
 D627,429 S 11/2010 Gessi  
 D627,866 S 11/2010 Hanna

D634,401 S 3/2011 Flowers et al.  
 D637,266 S 5/2011 Flowers et al.  
 D639,382 S 6/2011 Flowers  
 D639,384 S 6/2011 Flowers et al.  
 D639,385 S \* 6/2011 Flowers et al. .... D23/213  
 D641,829 S 7/2011 Angelov et al.  
 D643,509 S 8/2011 O'Brien et al.  
 D649,623 S 11/2011 Flowers  
 D651,281 S 12/2011 Lobermeier et al.  
 8,109,451 B2 2/2012 Mazzola  
 D658,269 S 4/2012 Schoenherr et al.  
 D658,270 S 4/2012 O'Brien et al.  
 D662,178 S 6/2012 Flowers et al.  
 8,240,583 B2 8/2012 Cristina  
 D669,963 S 10/2012 O'Brien et al.  
 D674,465 S 1/2013 Flowers et al.  
 D674,466 S 1/2013 Flowers et al.  
 D678,469 S 3/2013 Zhadanov  
 D681,781 S 5/2013 Cutler et al.  
 D707,328 S \* 6/2014 Schoenherr et al. .... D23/213  
 2005/0284967 A1 12/2005 Korb et al.  
 2007/0200013 A1 8/2007 Hsiao  
 2010/0314472 A1 12/2010 Lee

OTHER PUBLICATIONS

Jacló, The Rain Machine, Dec. 2011 (2 pages).  
 Notice of Allowance dated Jul. 1, 2013 from Issued U.S. Pat. No. D. 694,357 (13 pages).  
 Aqualem Bathroom Tech, "Aqualem for Bathroom," 2008-2009 Catalogue (4 pages).  
 Apsara 2008 (1 page).  
 Aqua-Brass, "Rain Heads," 2009 (1 page).  
 California Faucets 2009 (1 page).  
 Dornbracht, "Balance Modules," 2008 (1 page).  
 Hansgrohe, "Showerpower—Showerheads," 2006 (1 page).  
 Rohl Shower, "Showerheads," 2009 (1 page).  
 Sigma 2008 (1 page).  
 Watermark 2010 (1 page).  
 Shower Components (2 pages), 2010.  
 Toto, "TS100B1—Square Rain Showerhead 10", Oct. 2009 (2 pages).  
 Toto, "TS100B—Rain Showerhead," Oct. 2009 (2 pages).  
*Durst Corporation, Inc., v. Lacava LLC*, "Letter to the Court," Case 2:14-cv-06815-WJM-MF, Filed Nov. 12, 2014 (15 pages).  
*Durst Corporation, Inc., v. Lacava LLC*, "Answer, Affirmative Defenses, Counterclaims and Jury Demand," filed Dec. 19, 2014 (22 pages).

\* cited by examiner



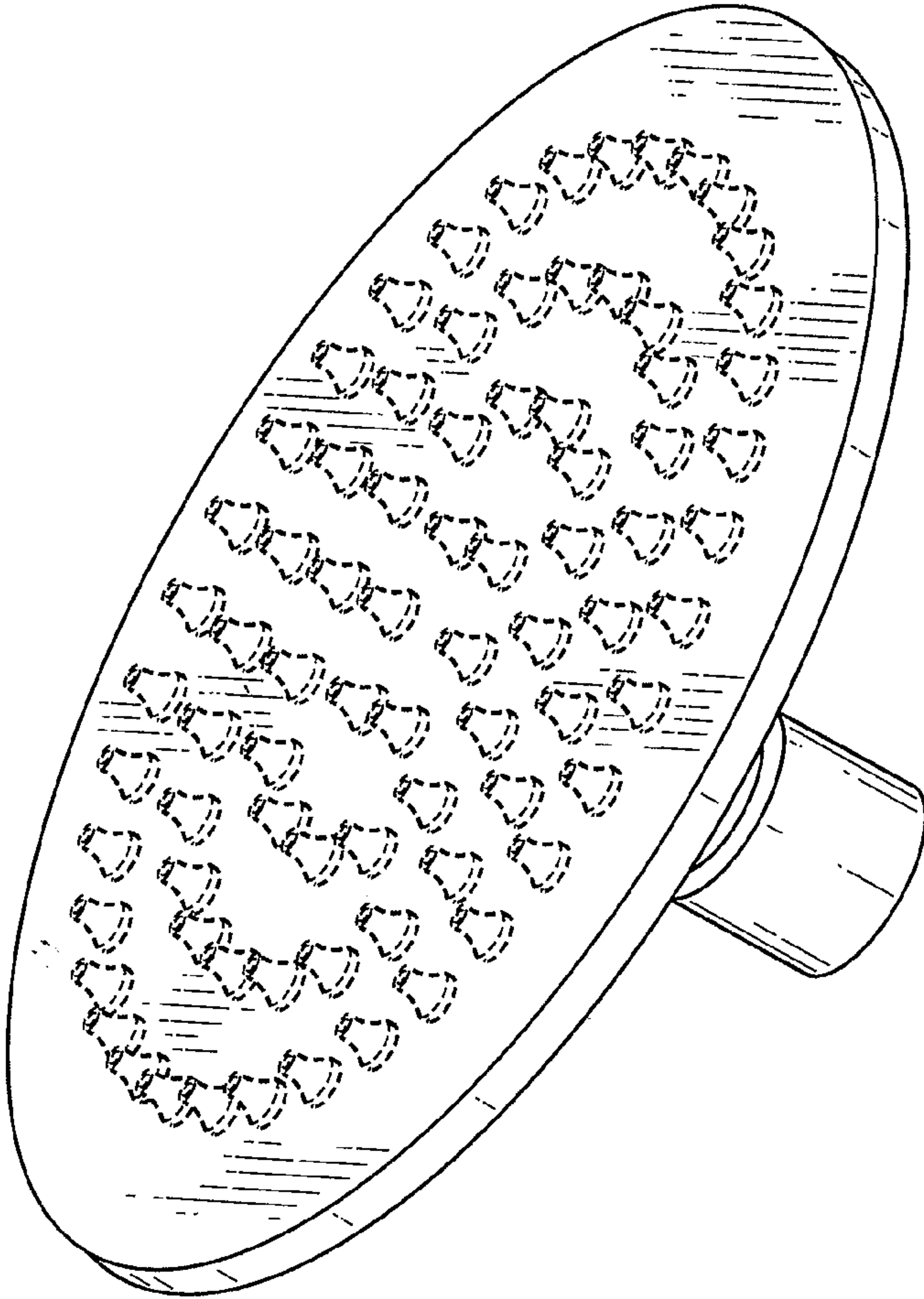


FIG. 1

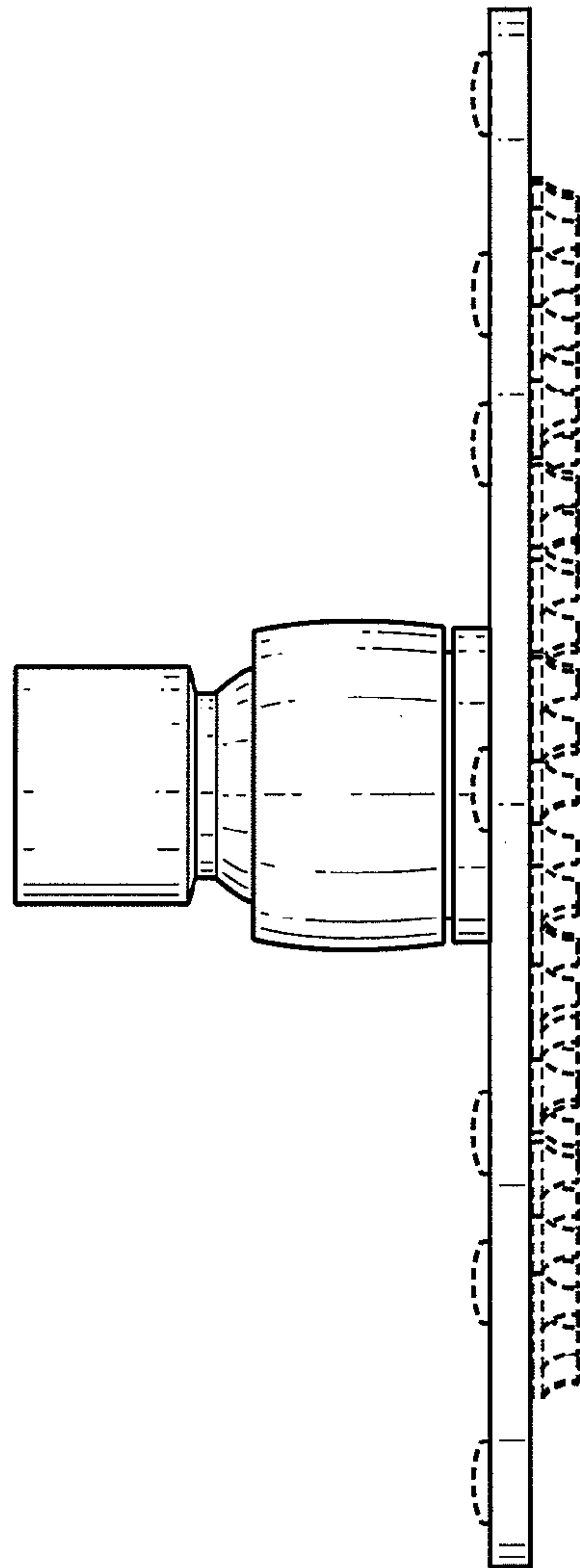


FIG. 2

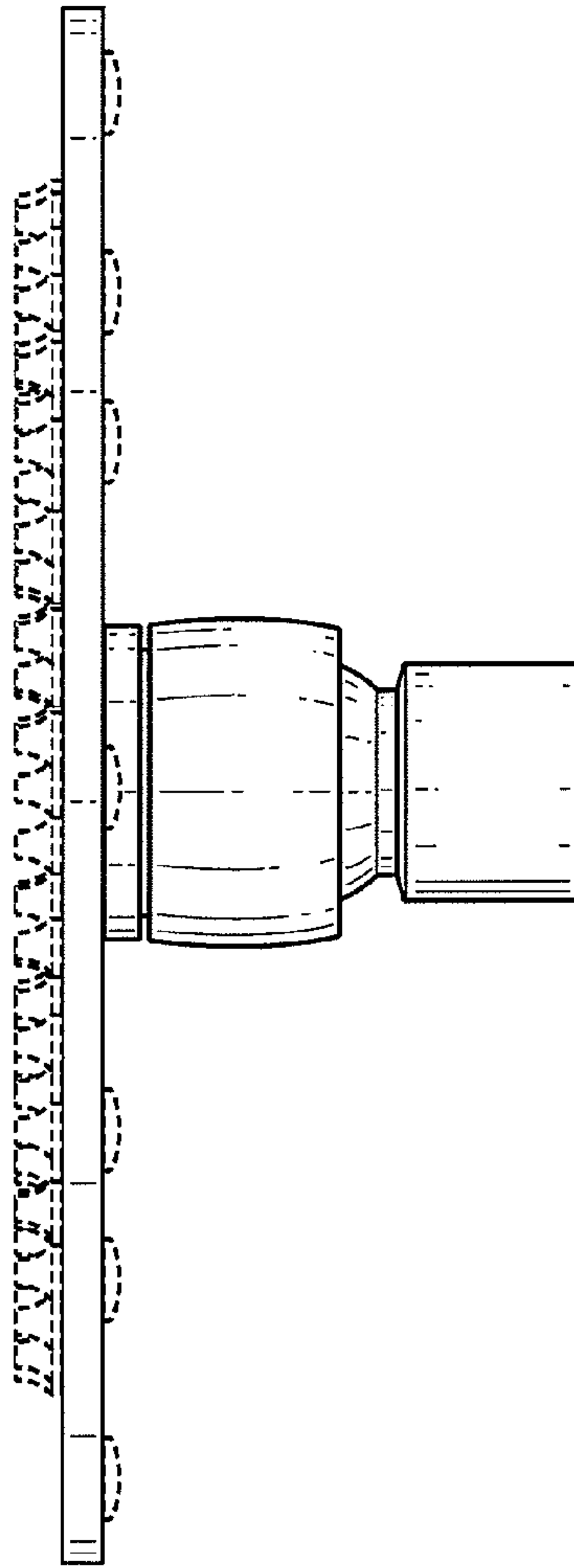


FIG. 3

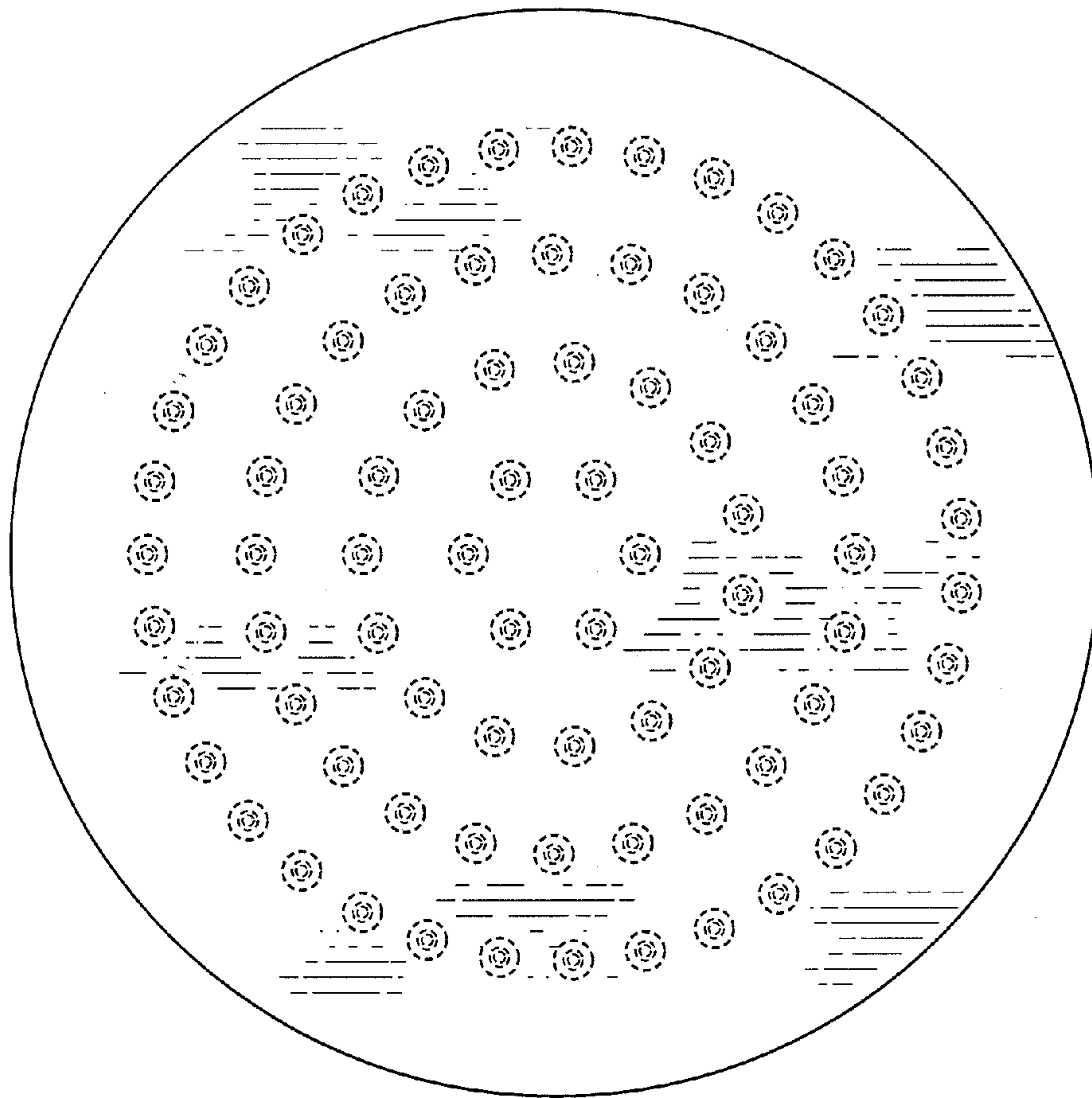


FIG. 4

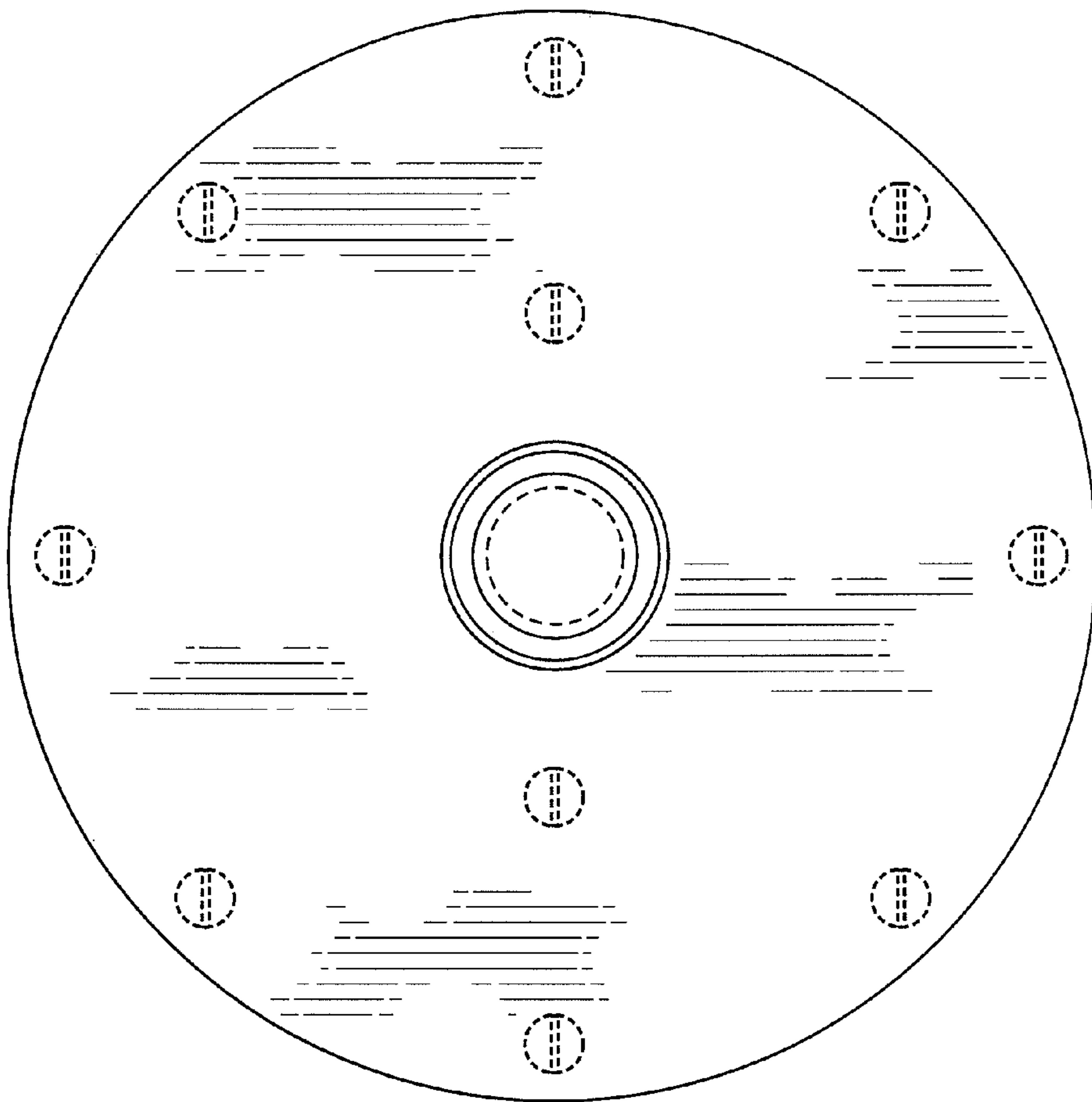


FIG. 5

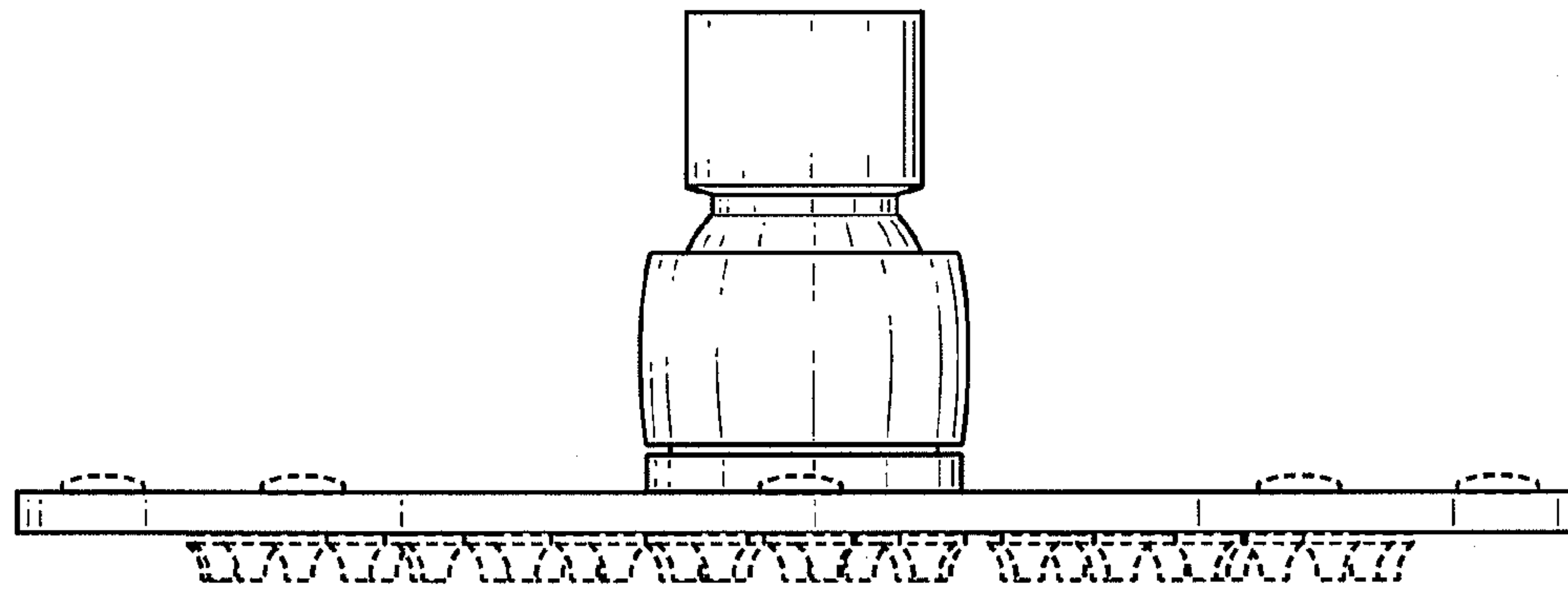


FIG. 6

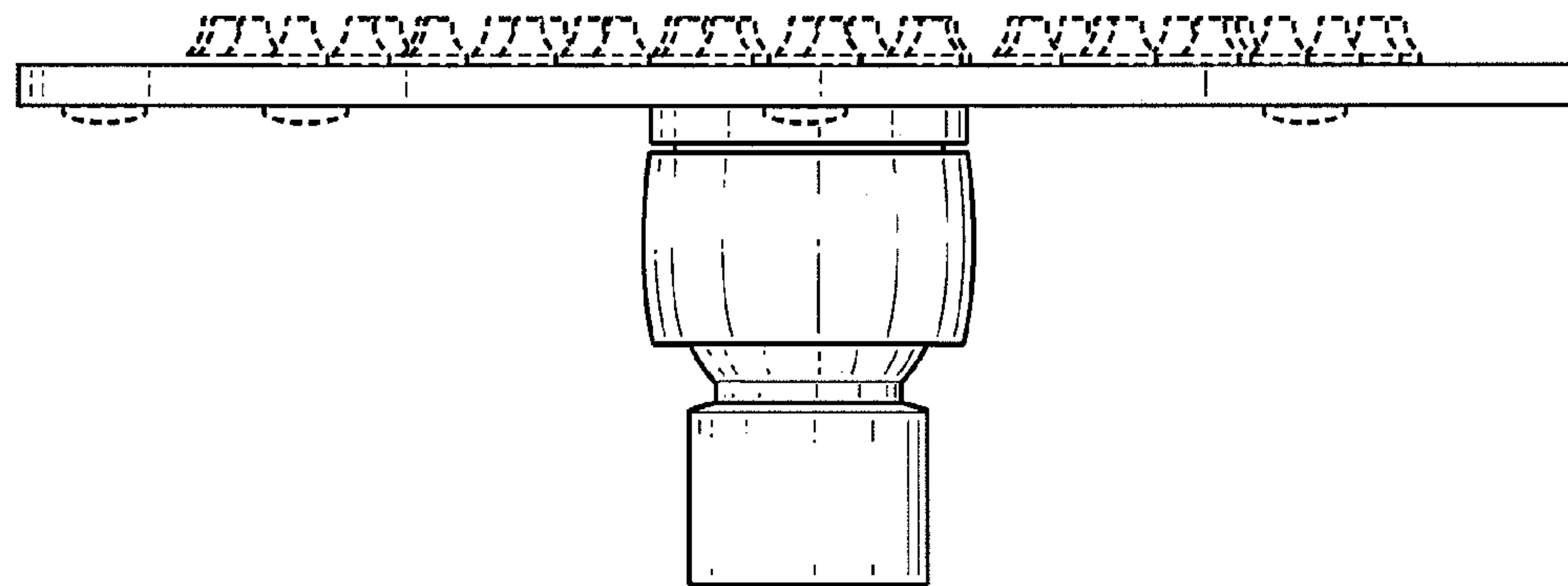


FIG. 7



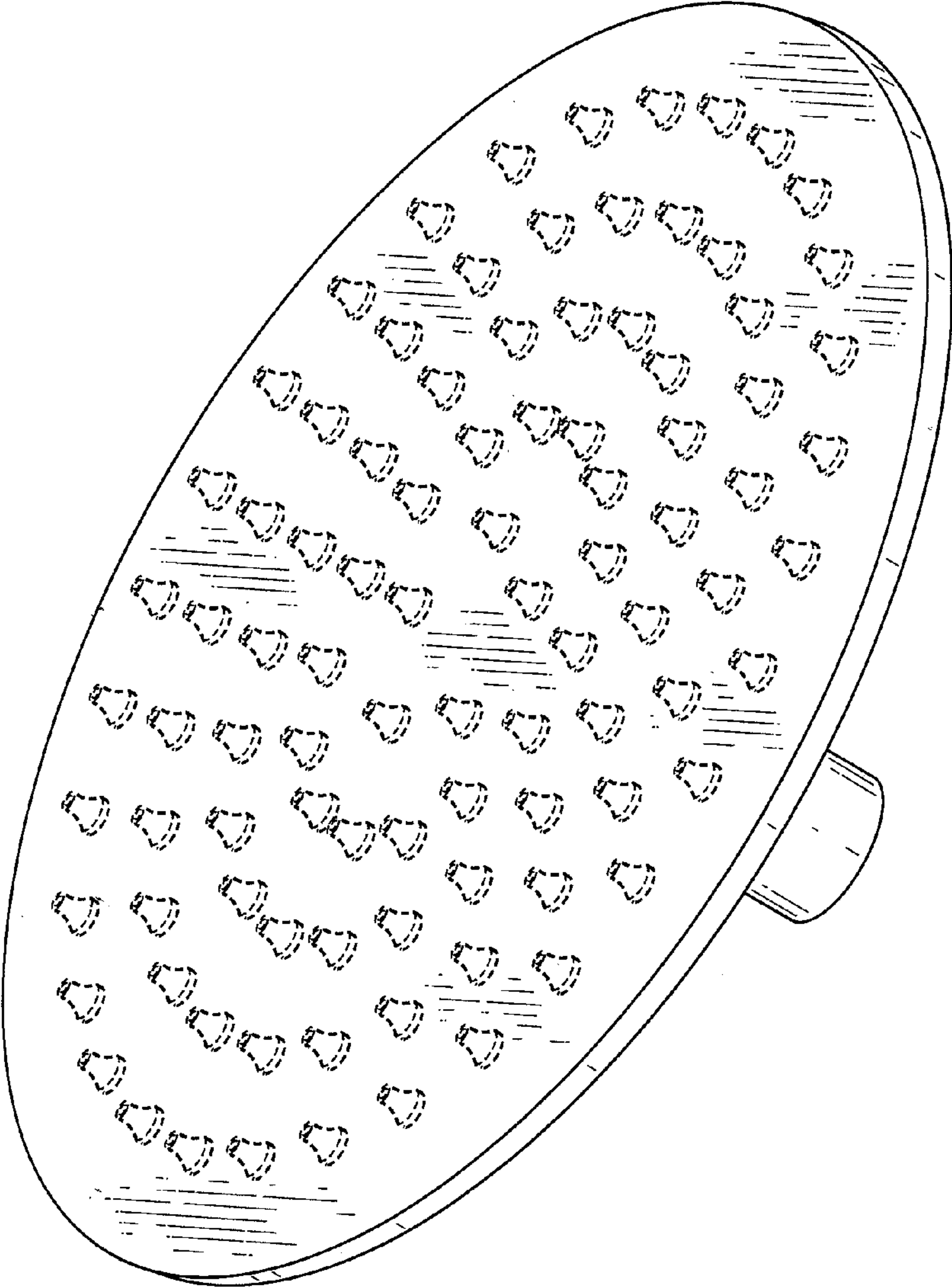


FIG. 8

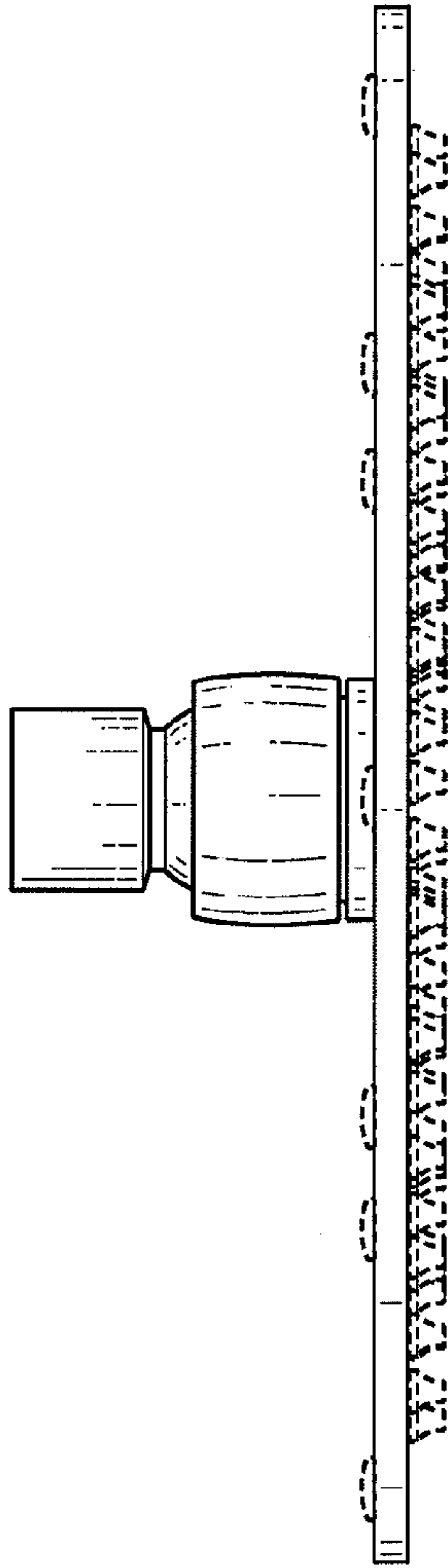


FIG. 9

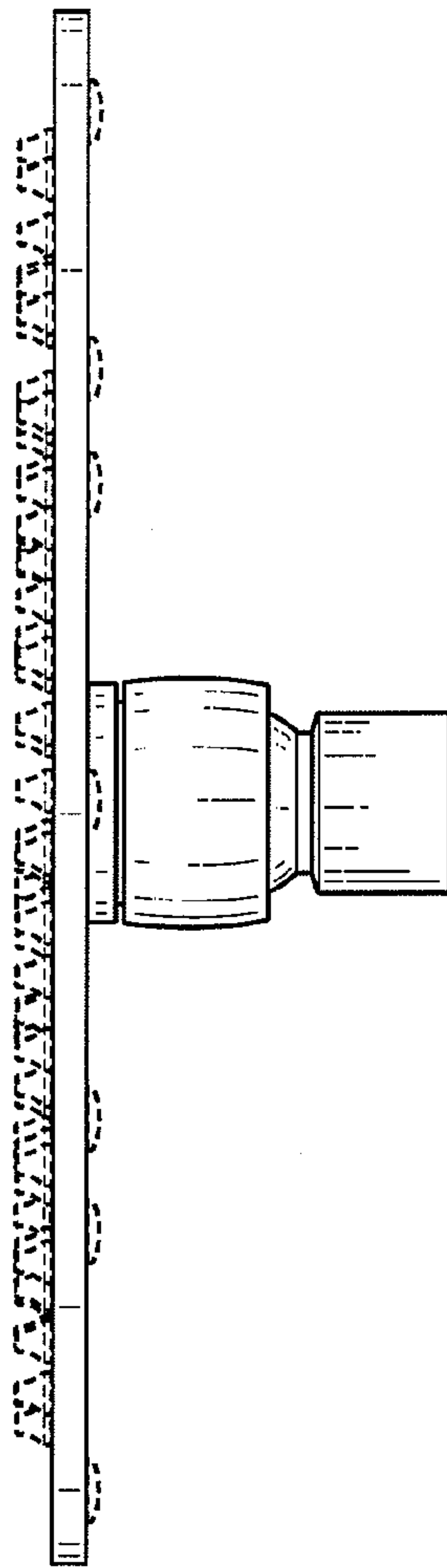


FIG. 10

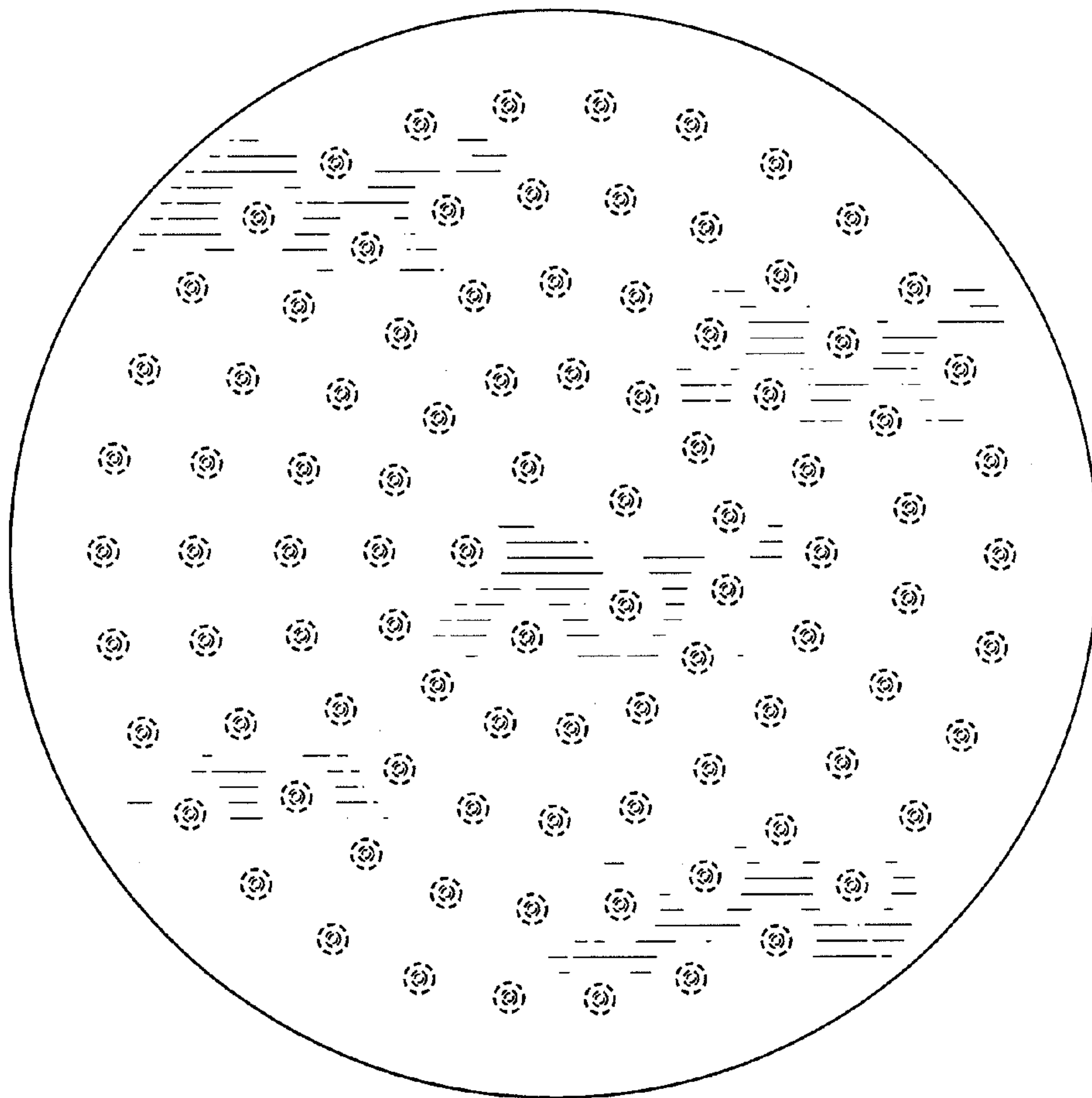


FIG. 11

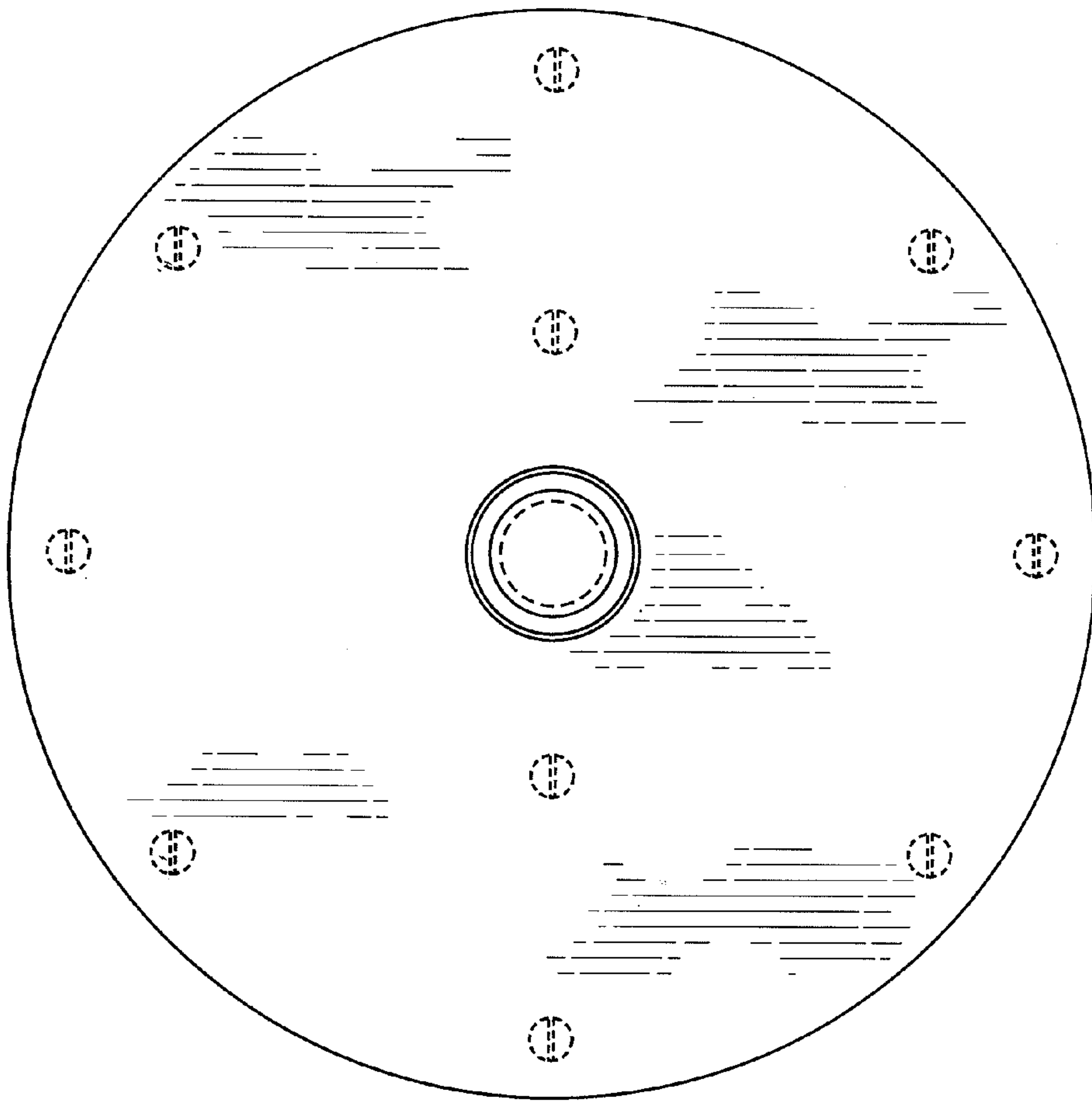


FIG. 12



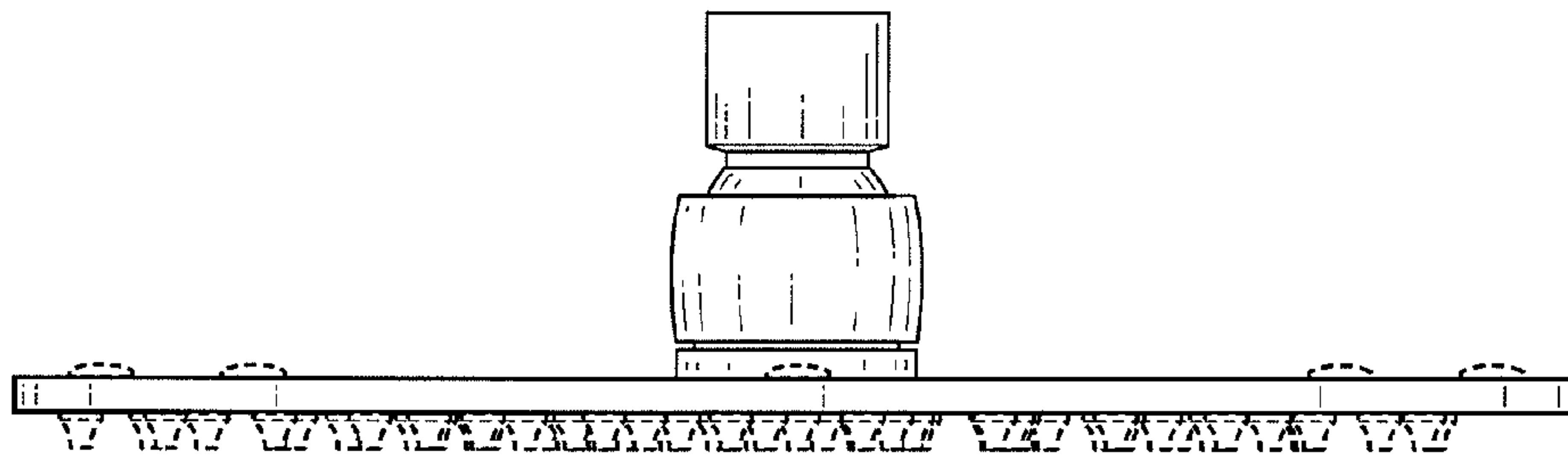


FIG. 13

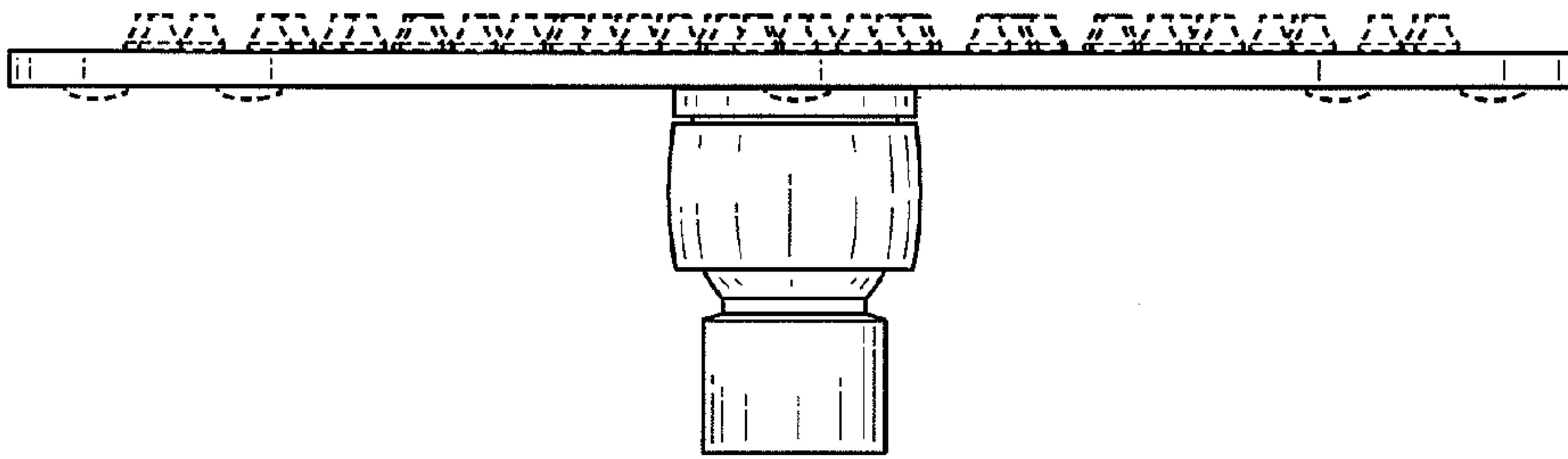


FIG. 14

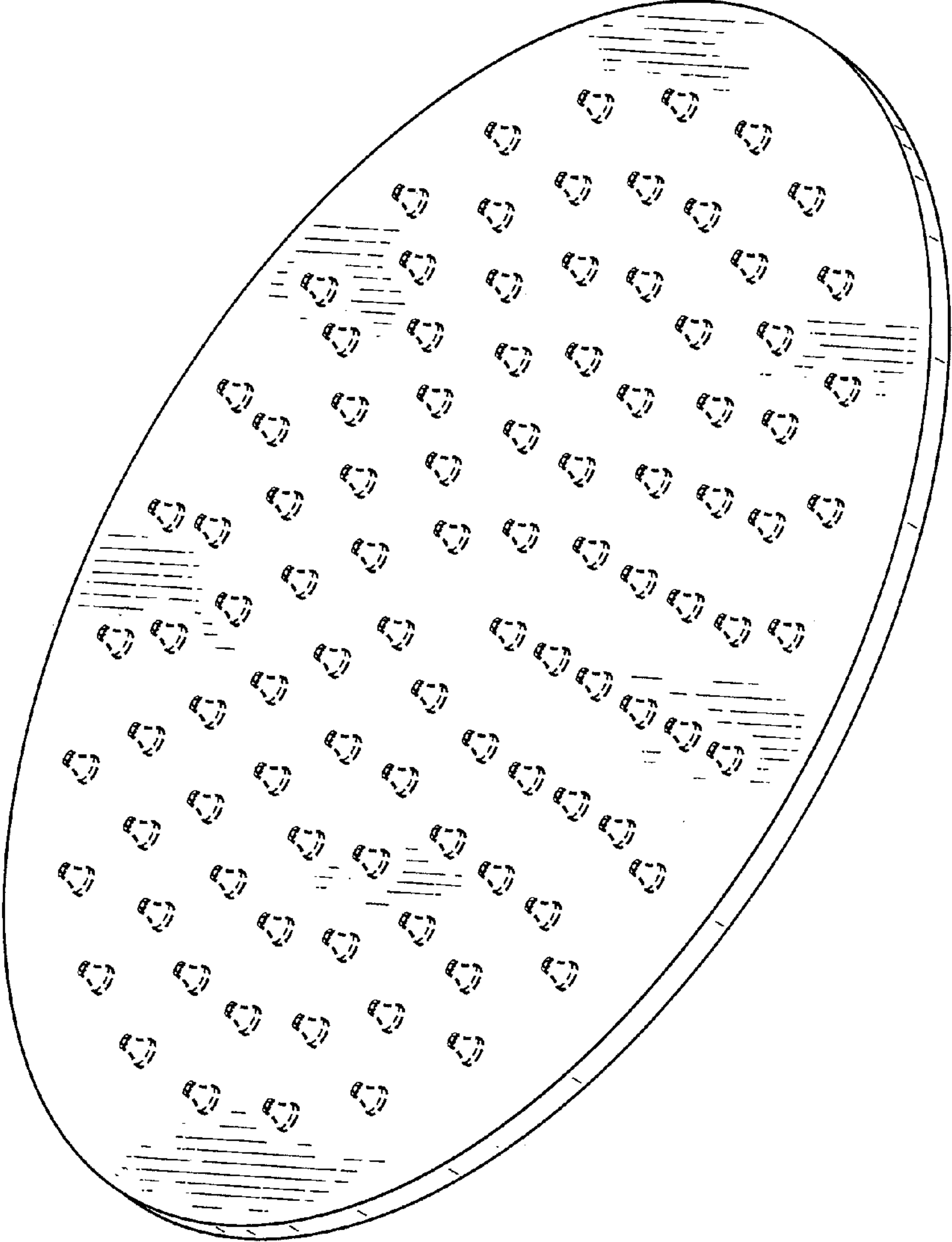


FIG. 15

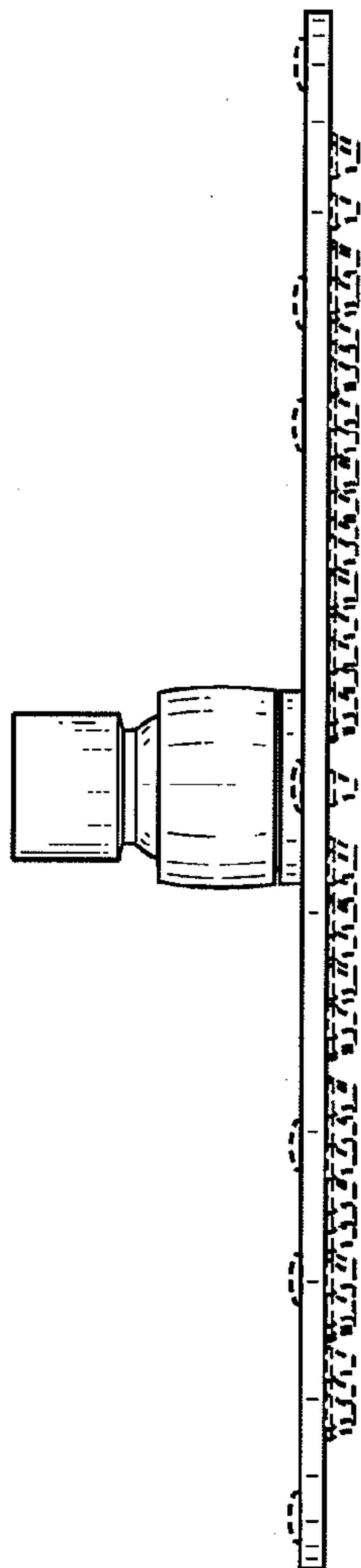


FIG. 16

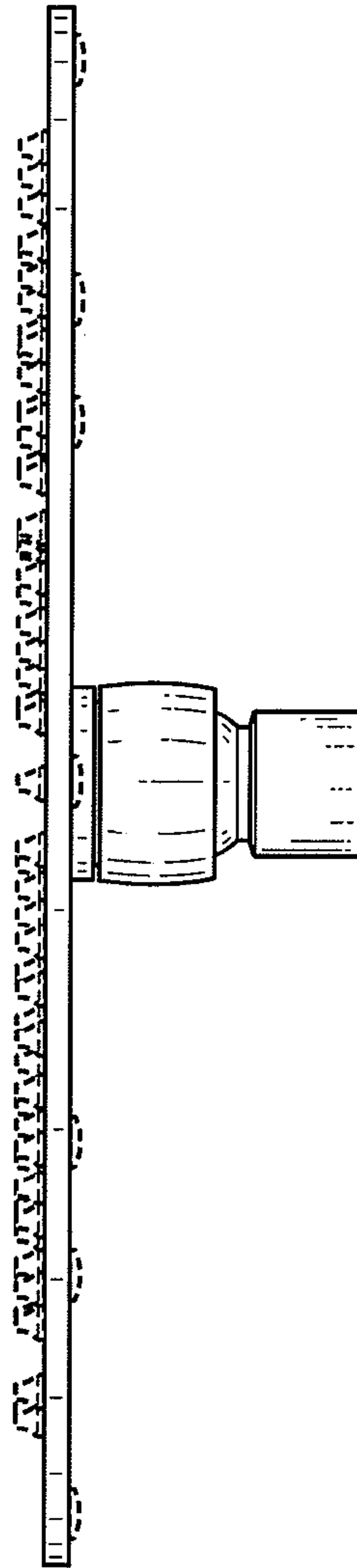


FIG. 17

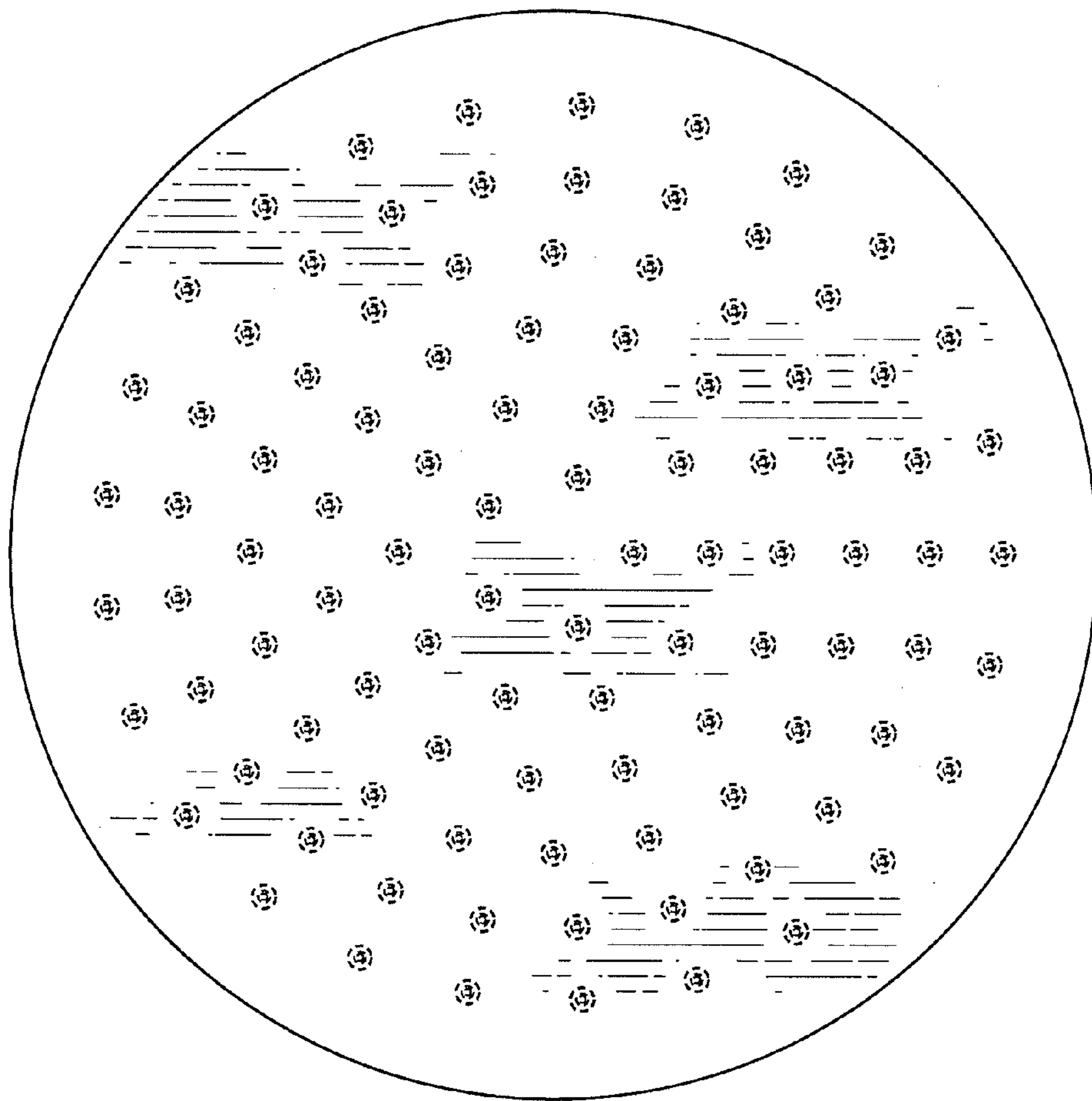


FIG. 18



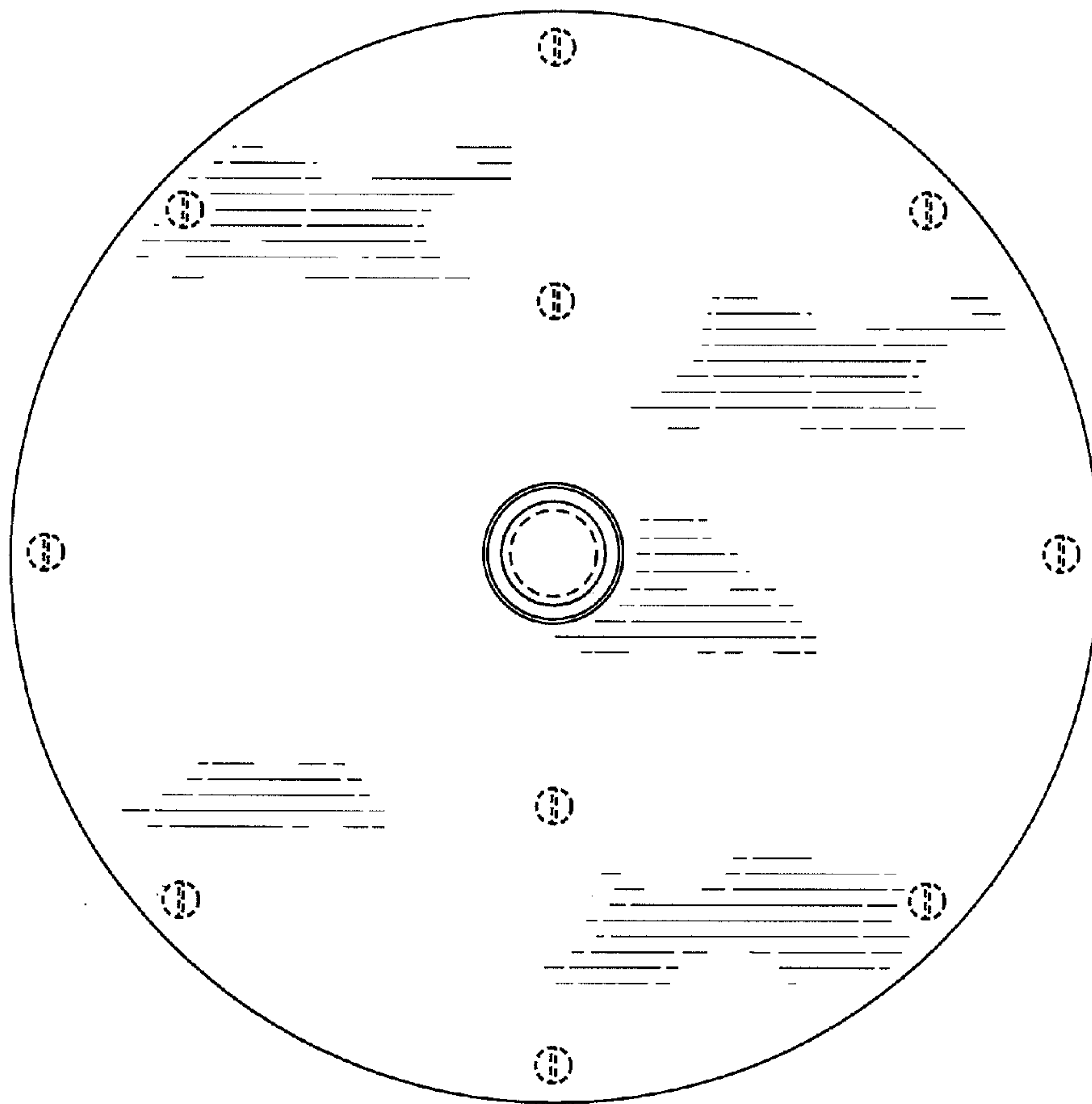


FIG. 19

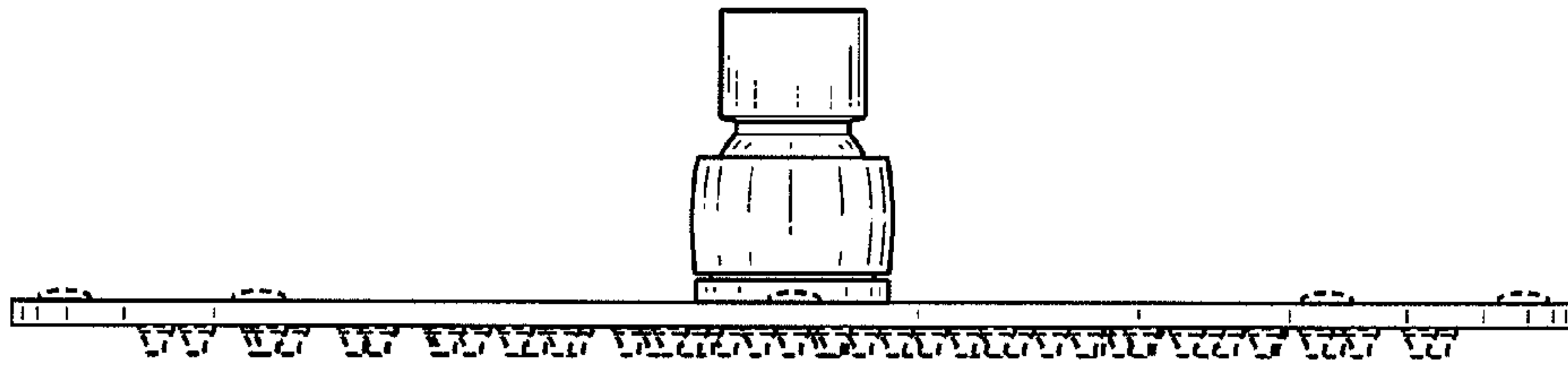


FIG. 20

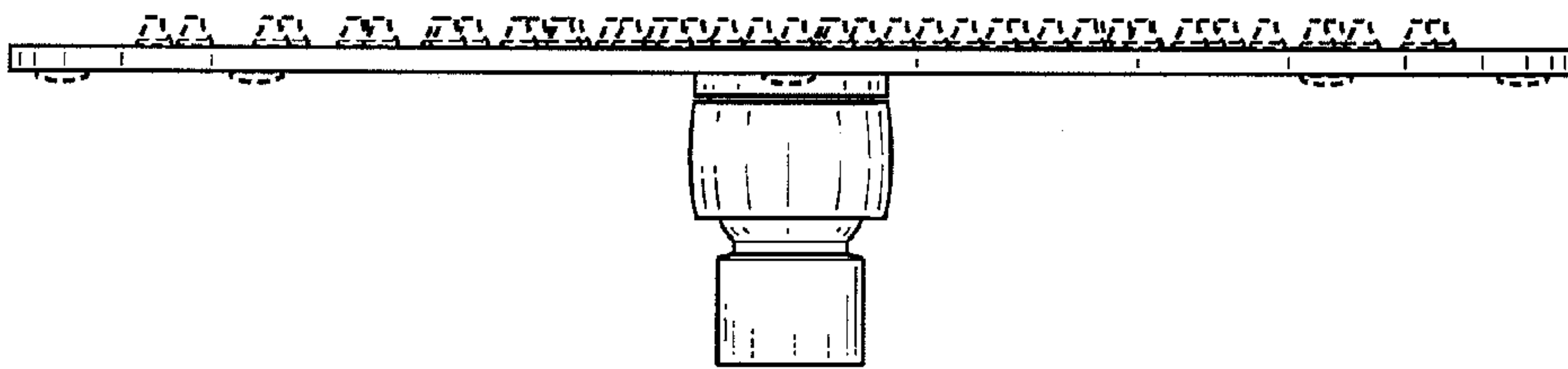


FIG. 21

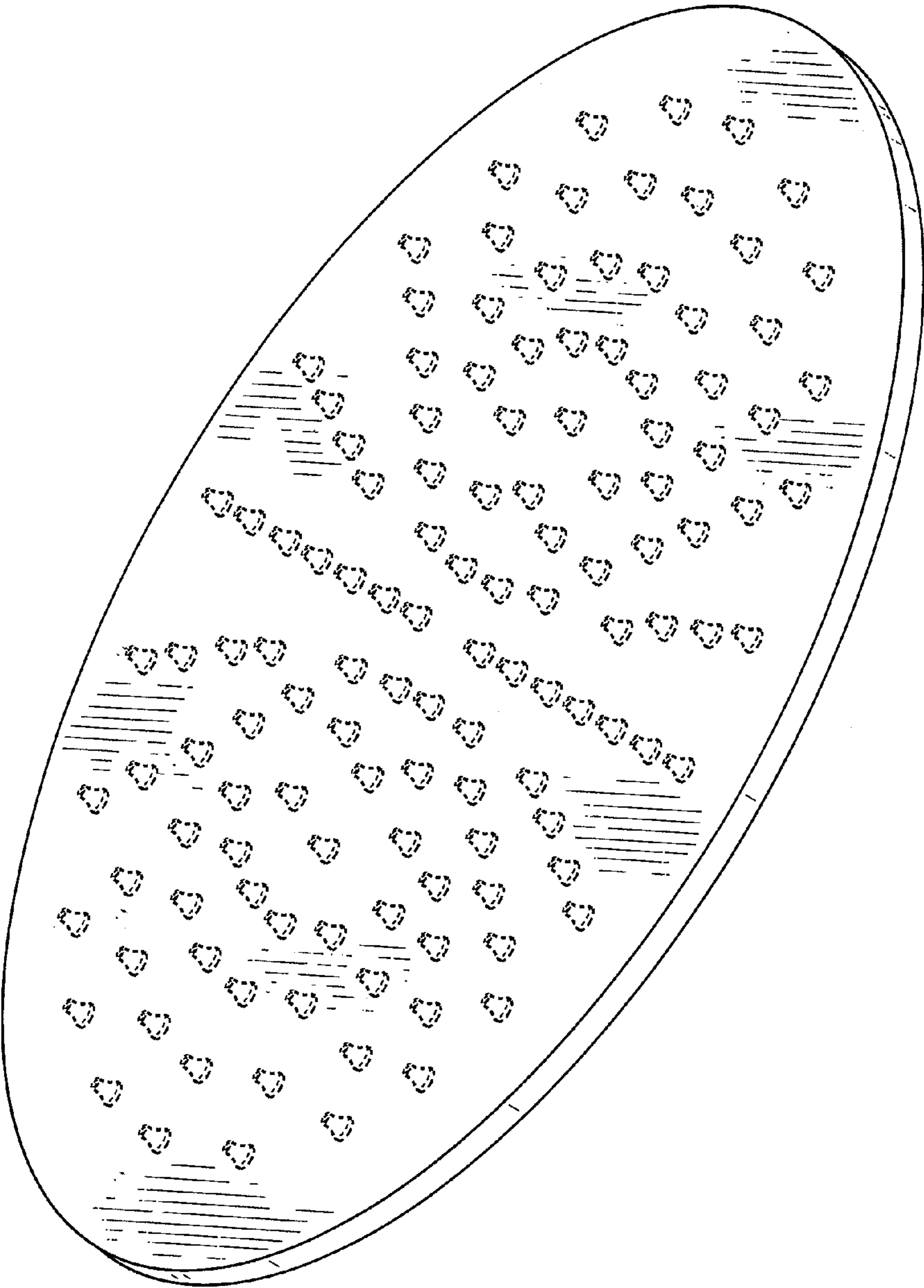


FIG. 22

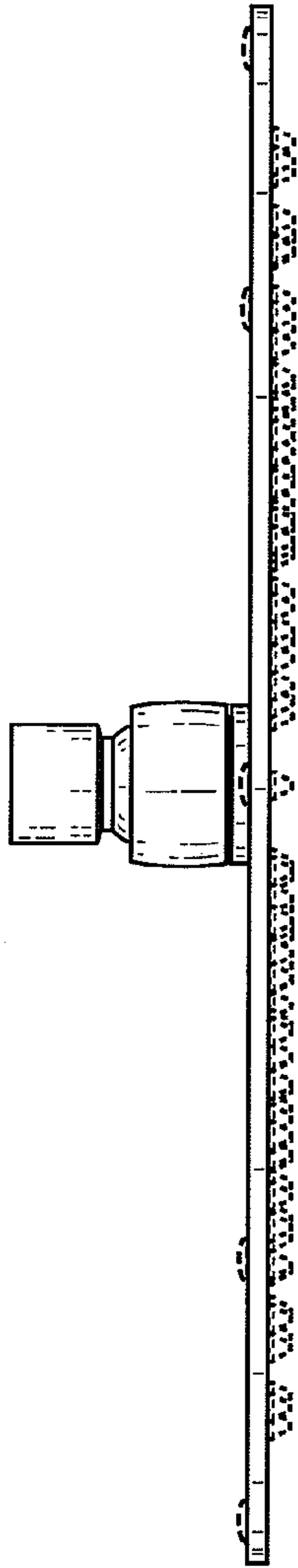


FIG. 23

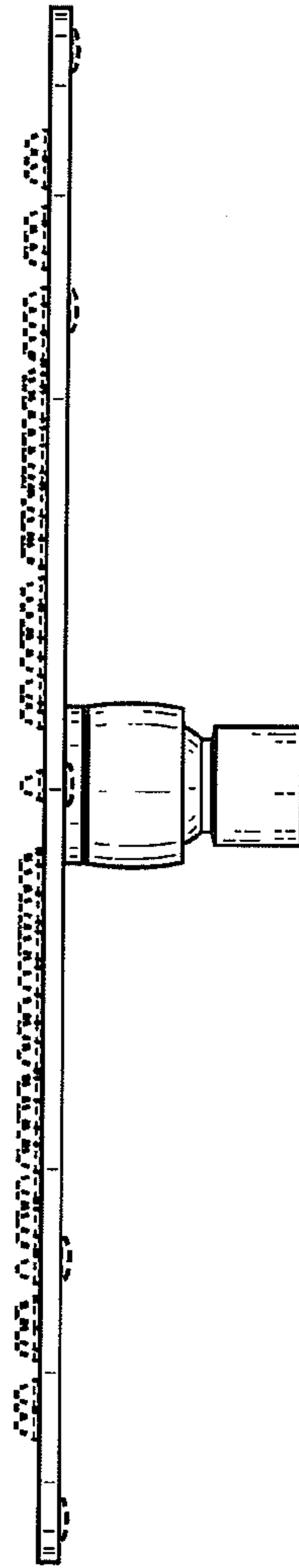


FIG. 24



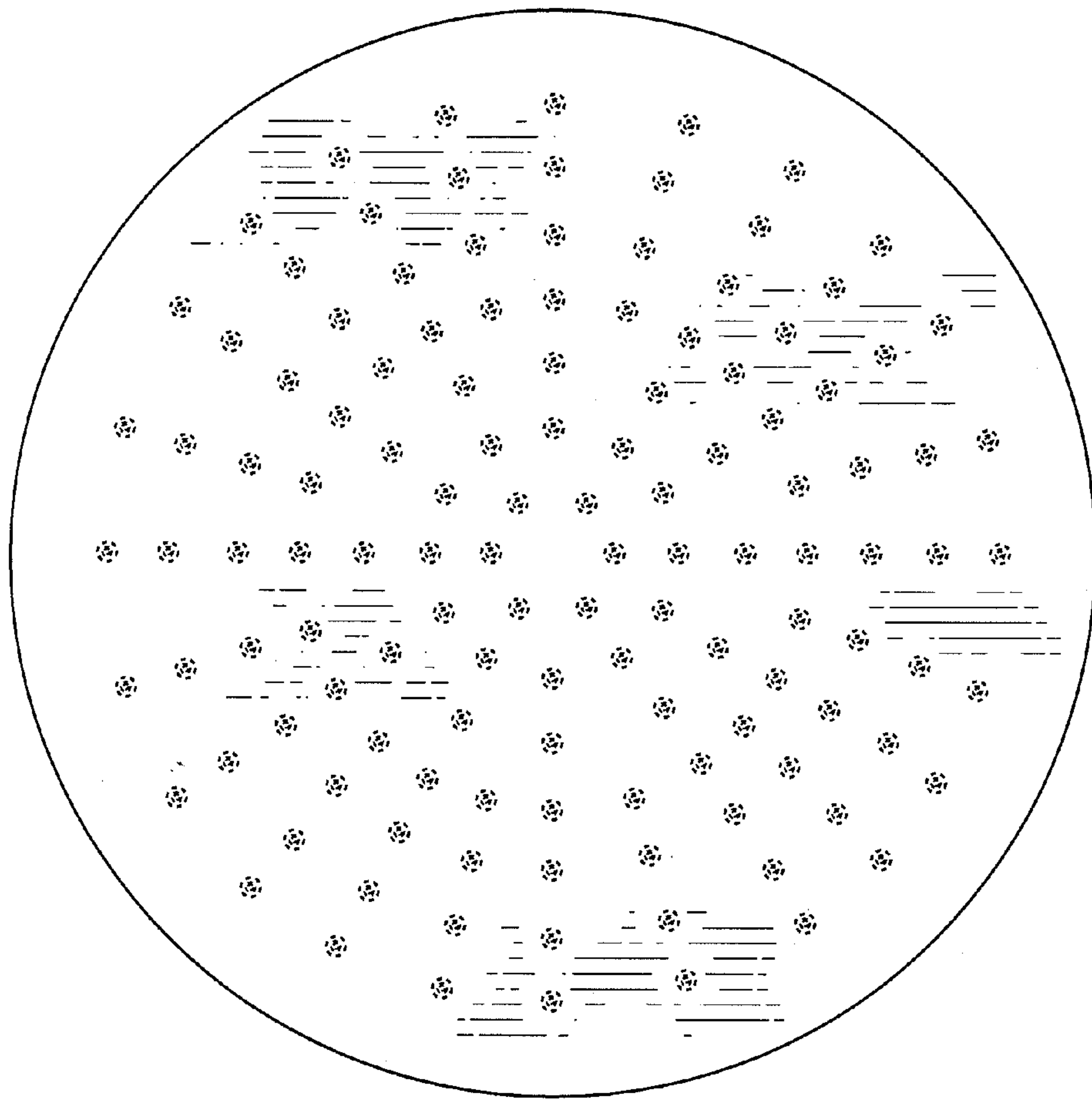


FIG. 25

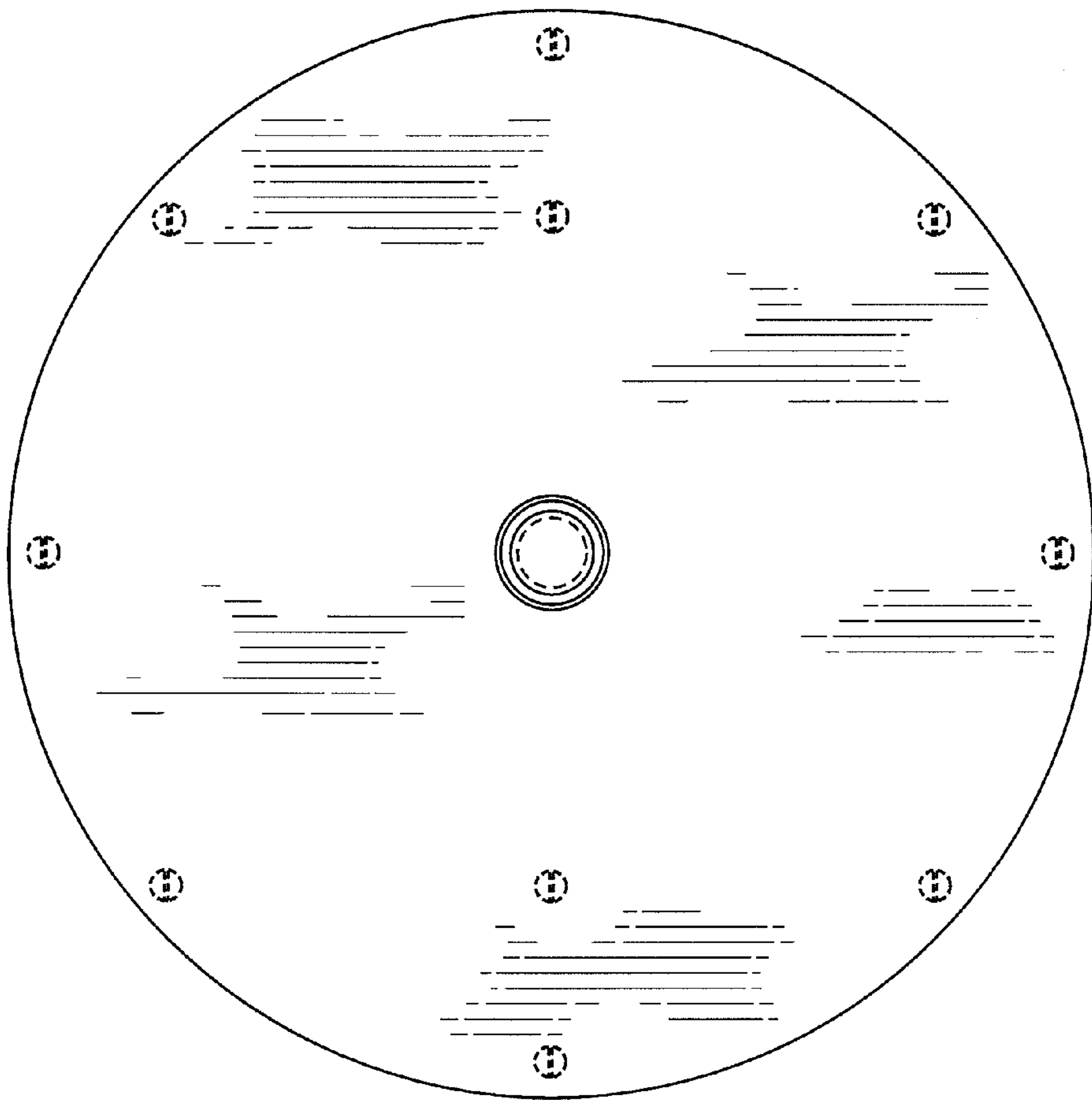


FIG. 26

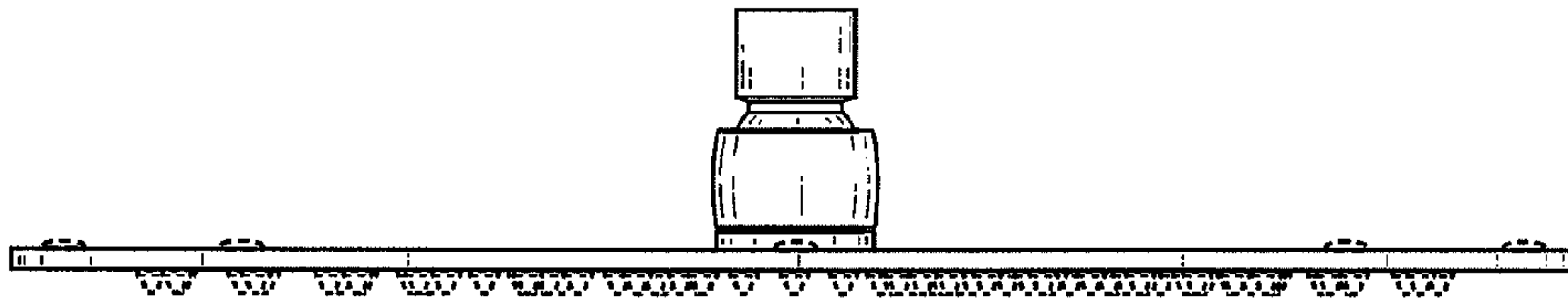


FIG. 27

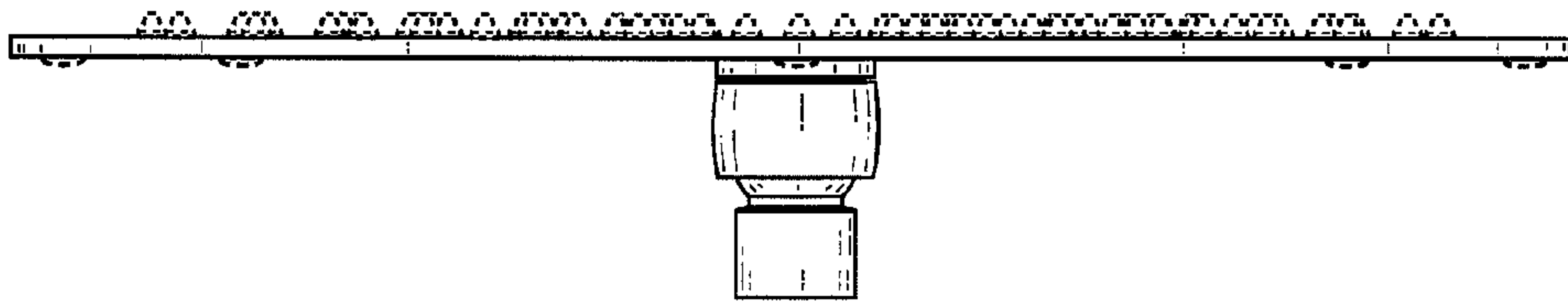


FIG. 28

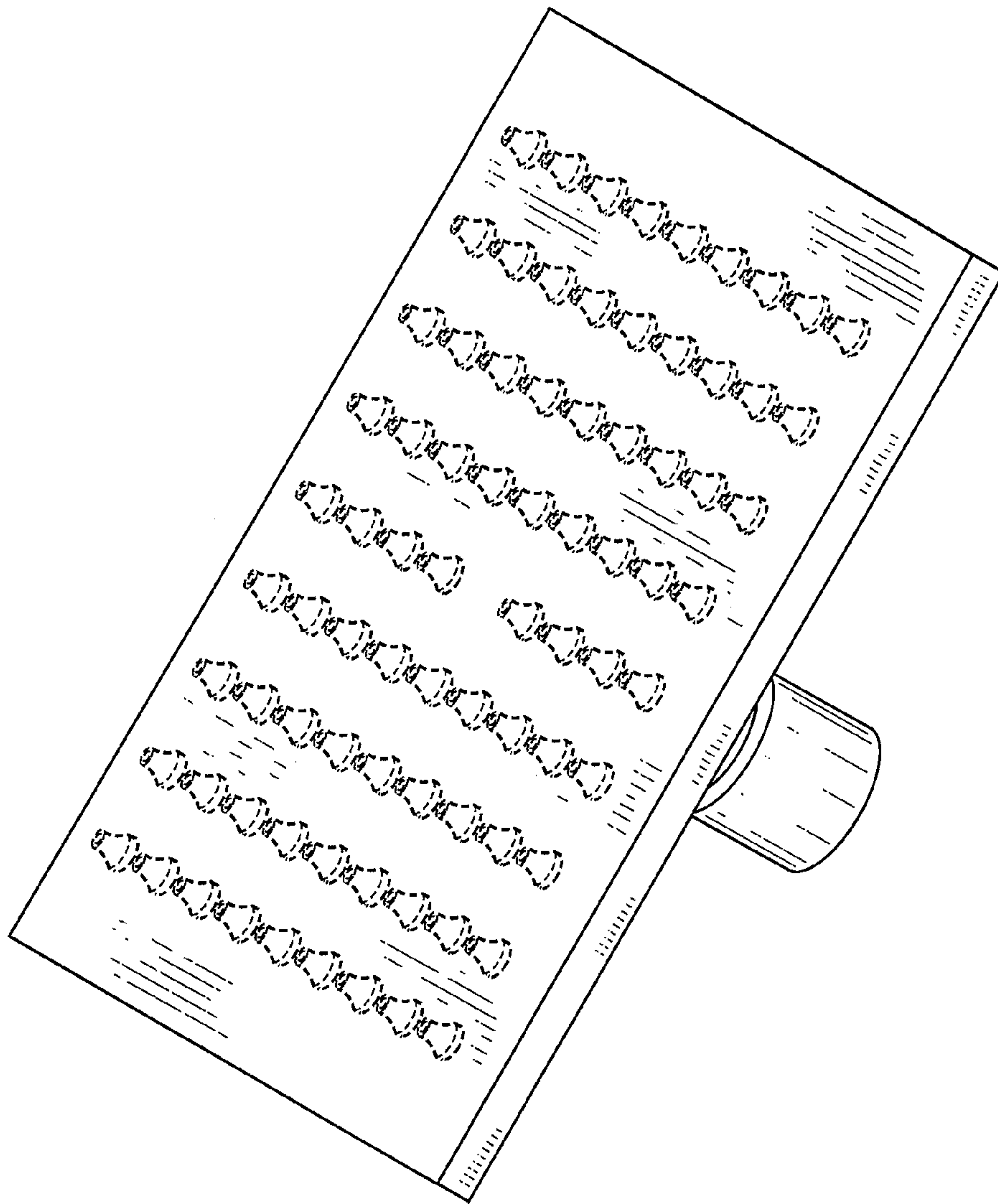


FIG. 29

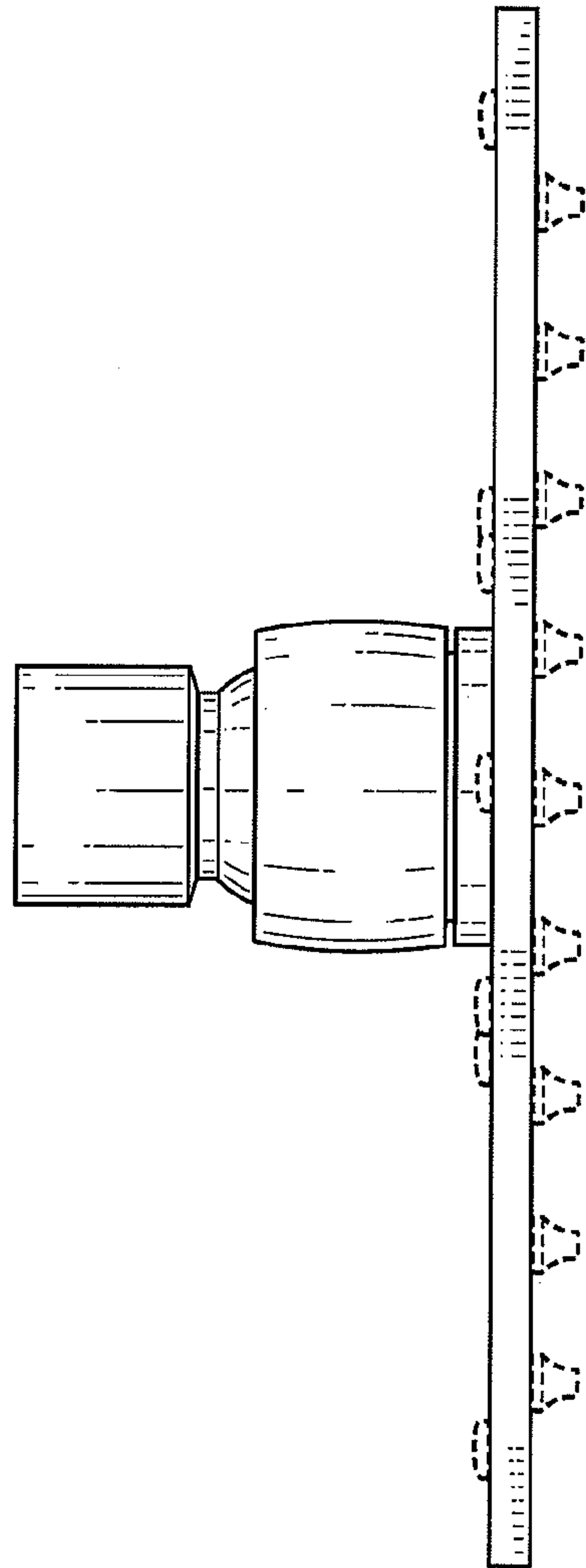


FIG. 30



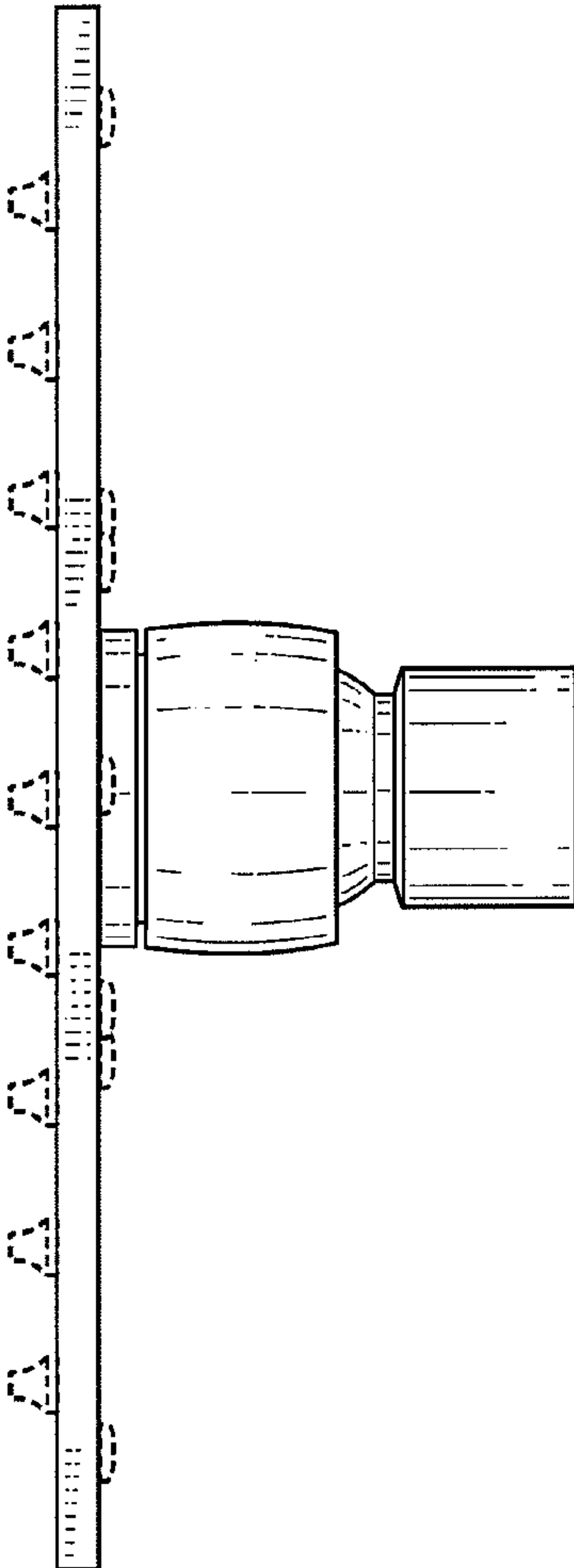


FIG. 31

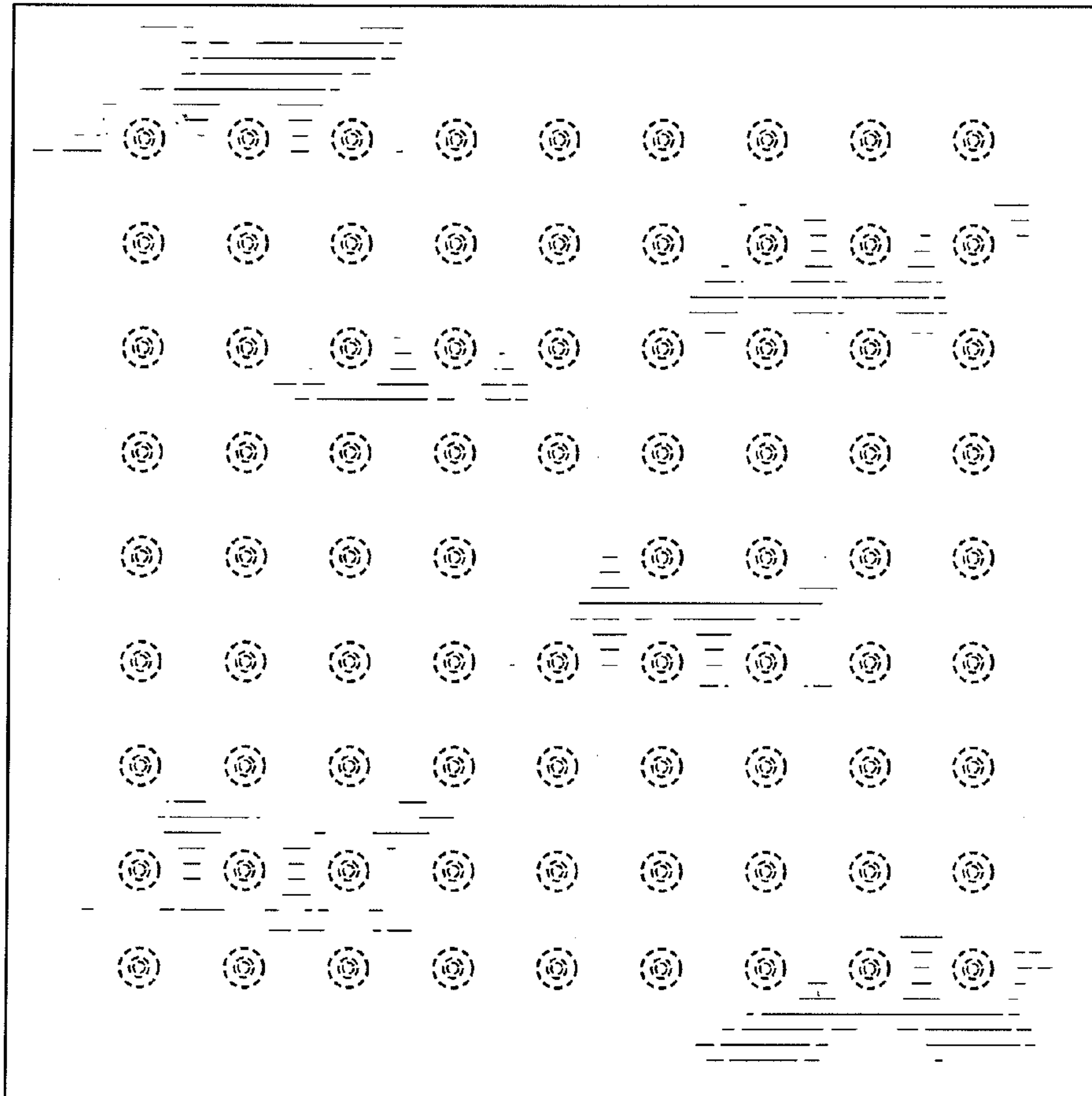


FIG. 32

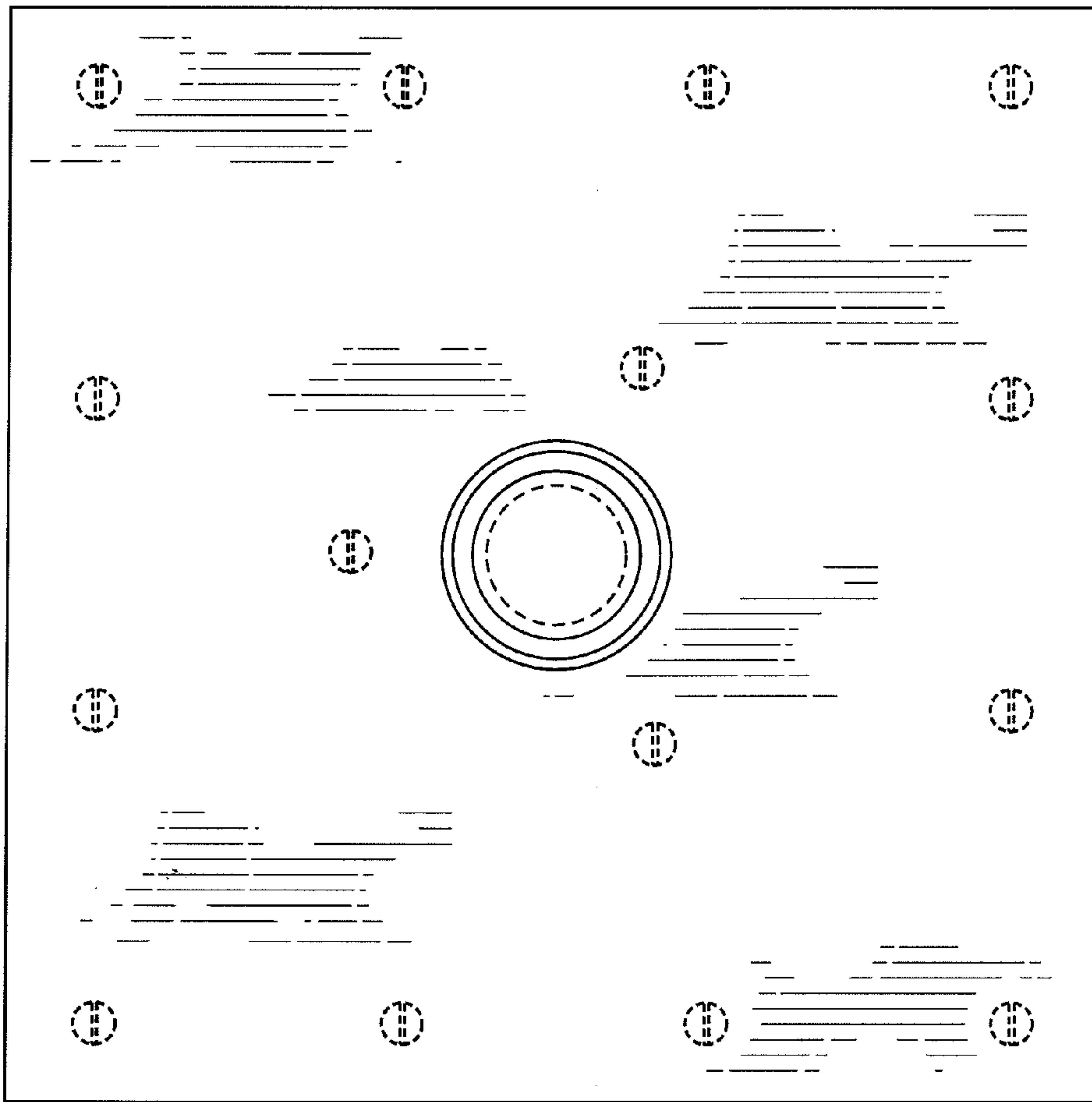


FIG. 33

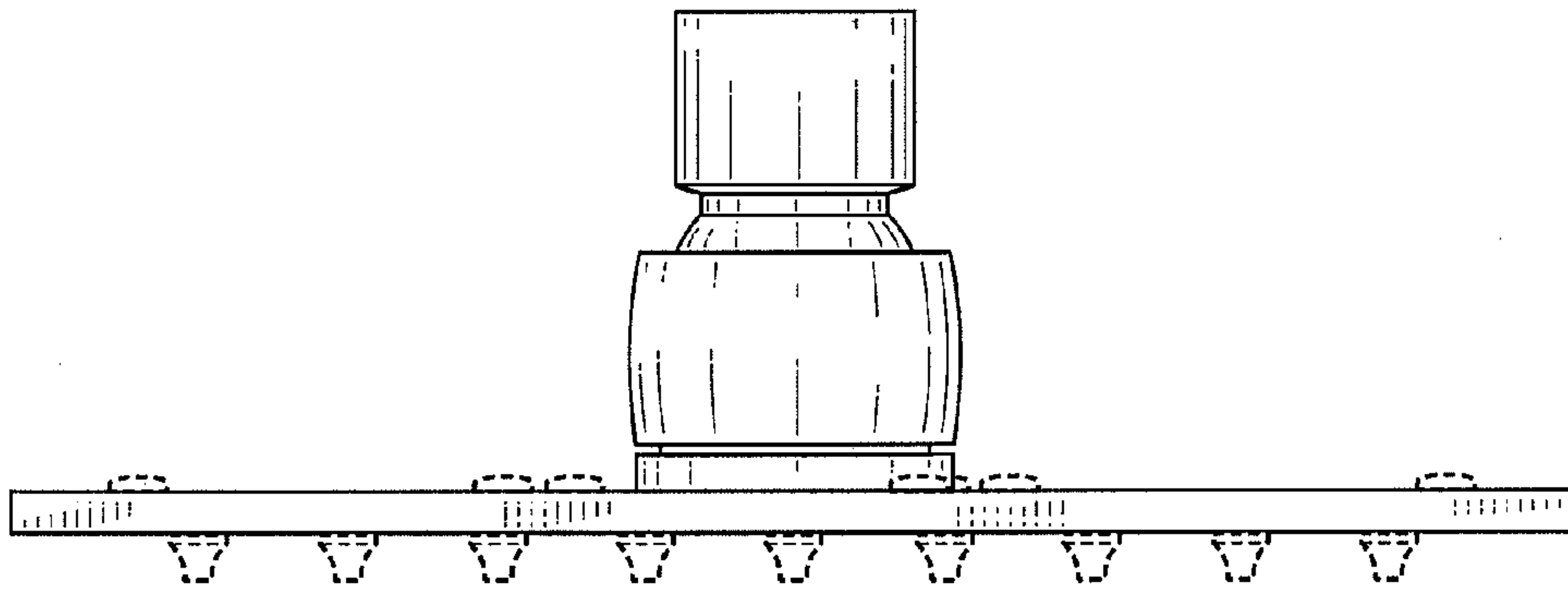


FIG. 34

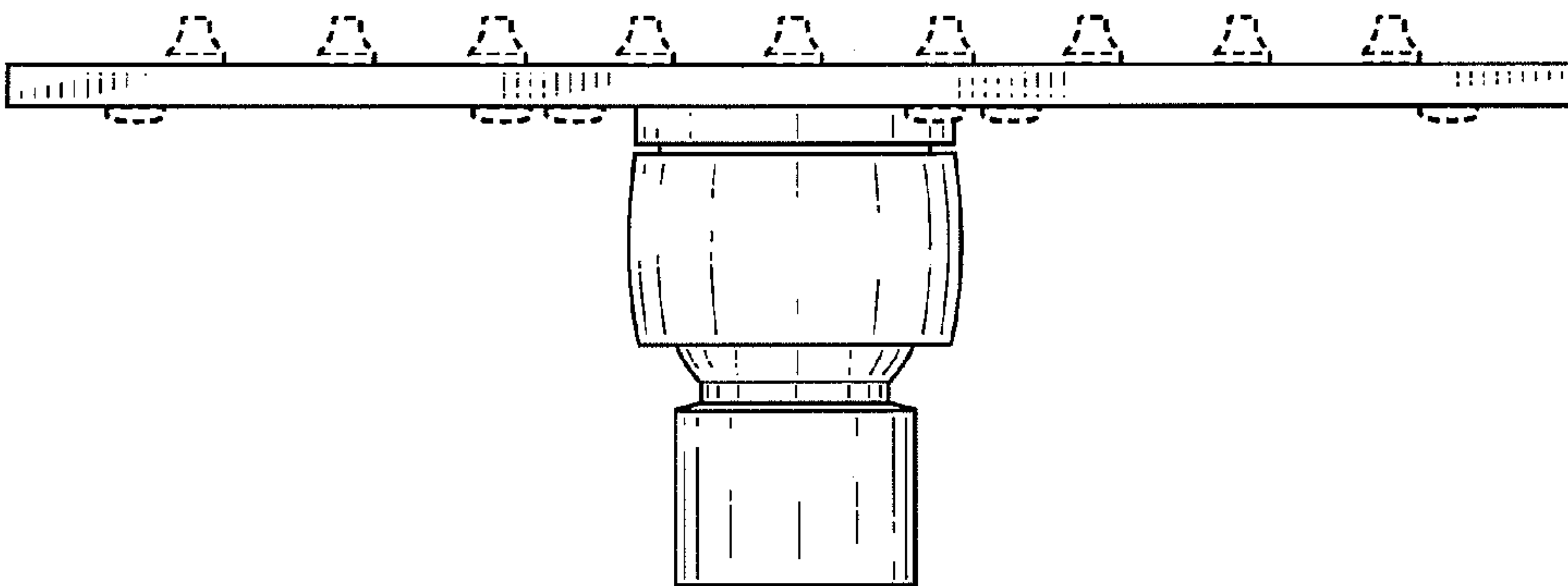


FIG. 35

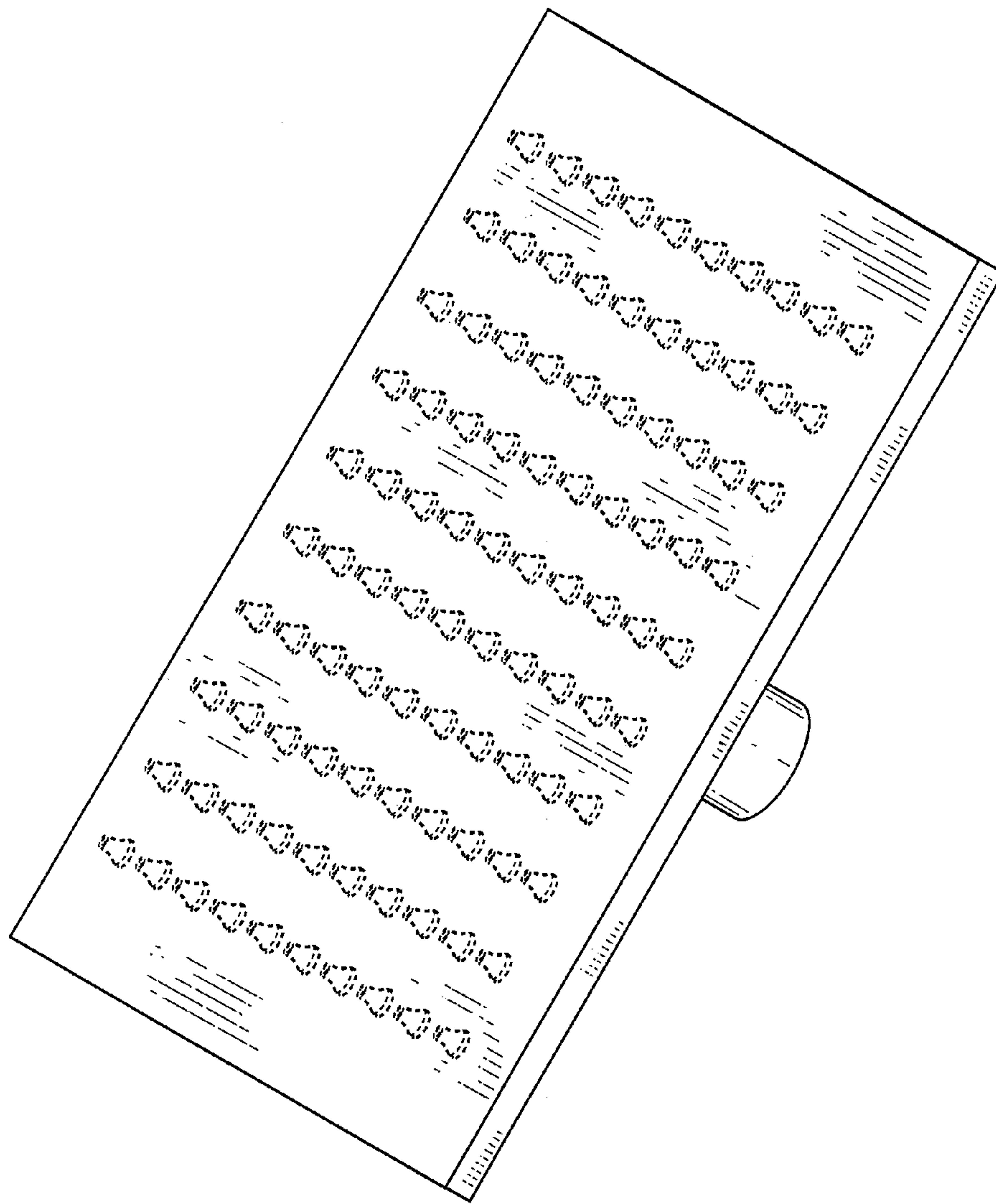


FIG. 36

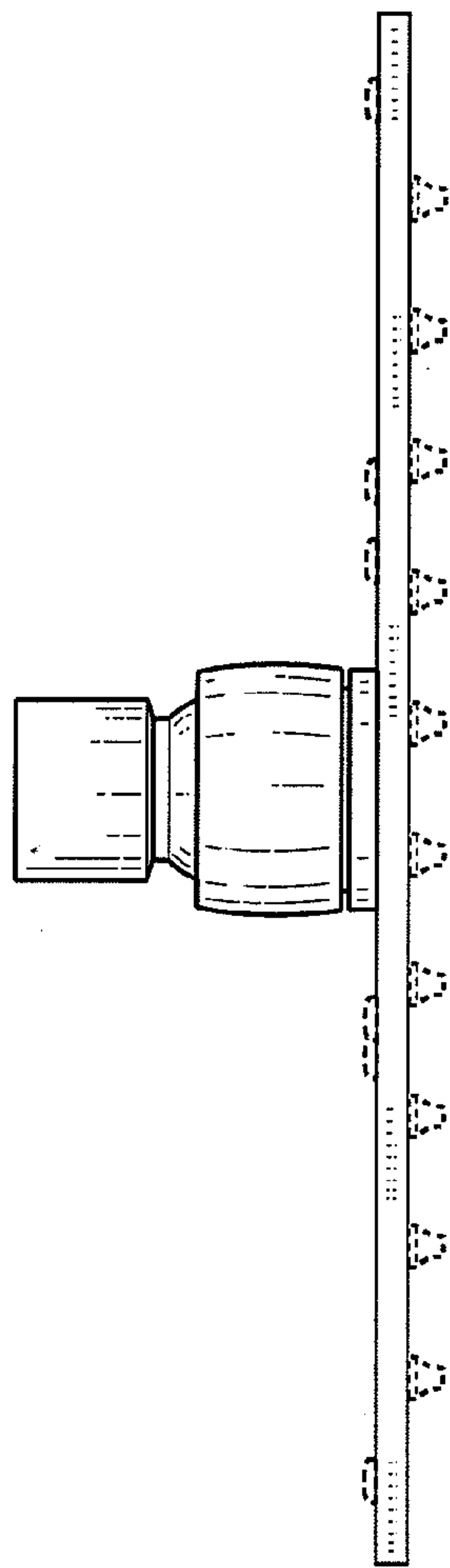


FIG. 37



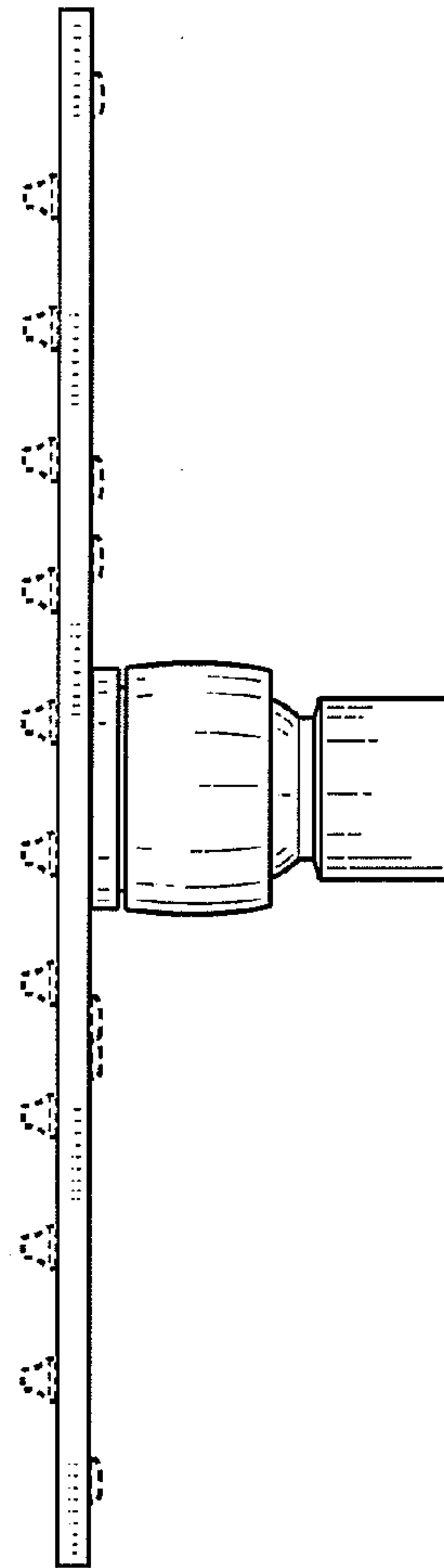


FIG. 38

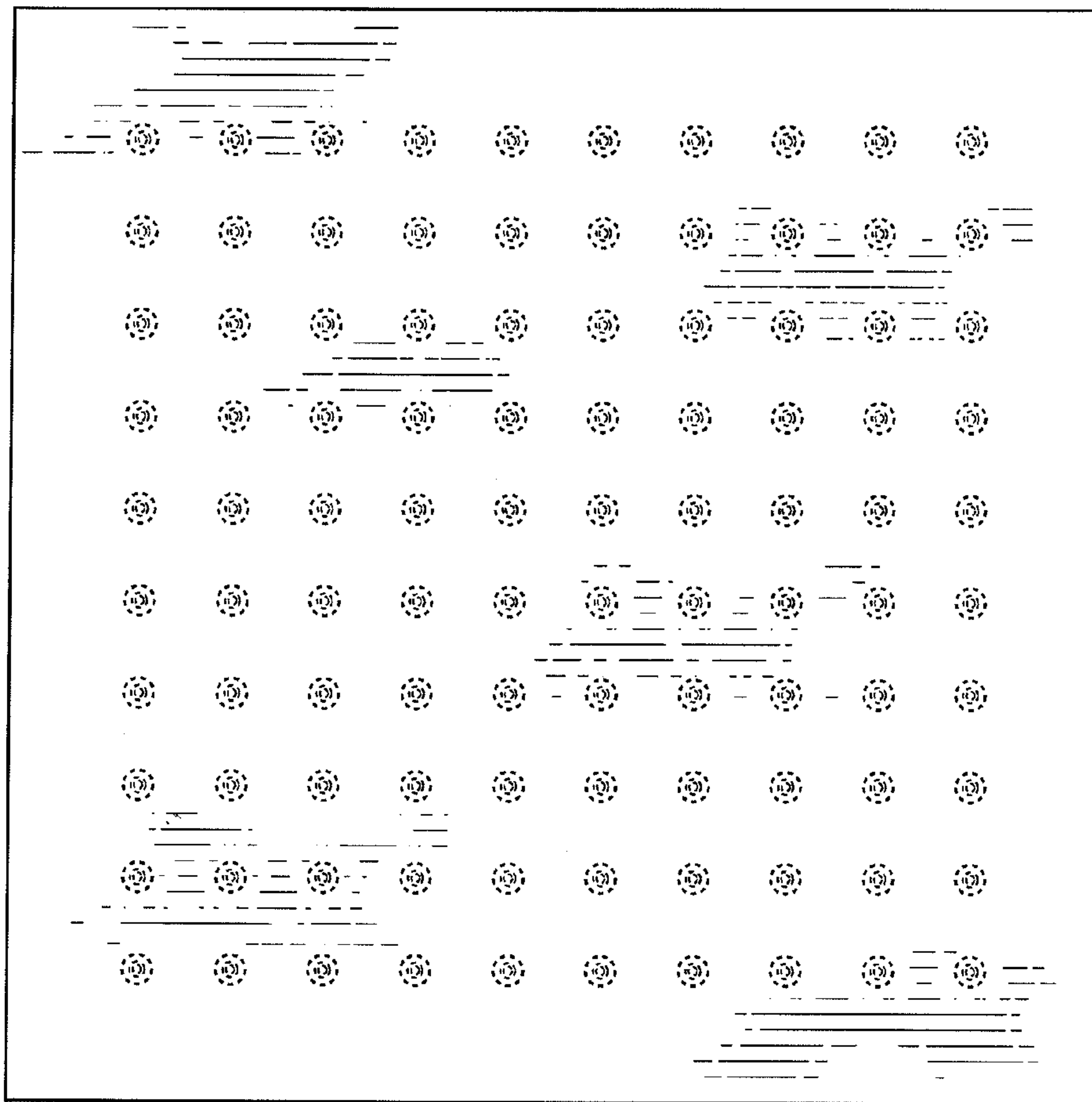


FIG. 39

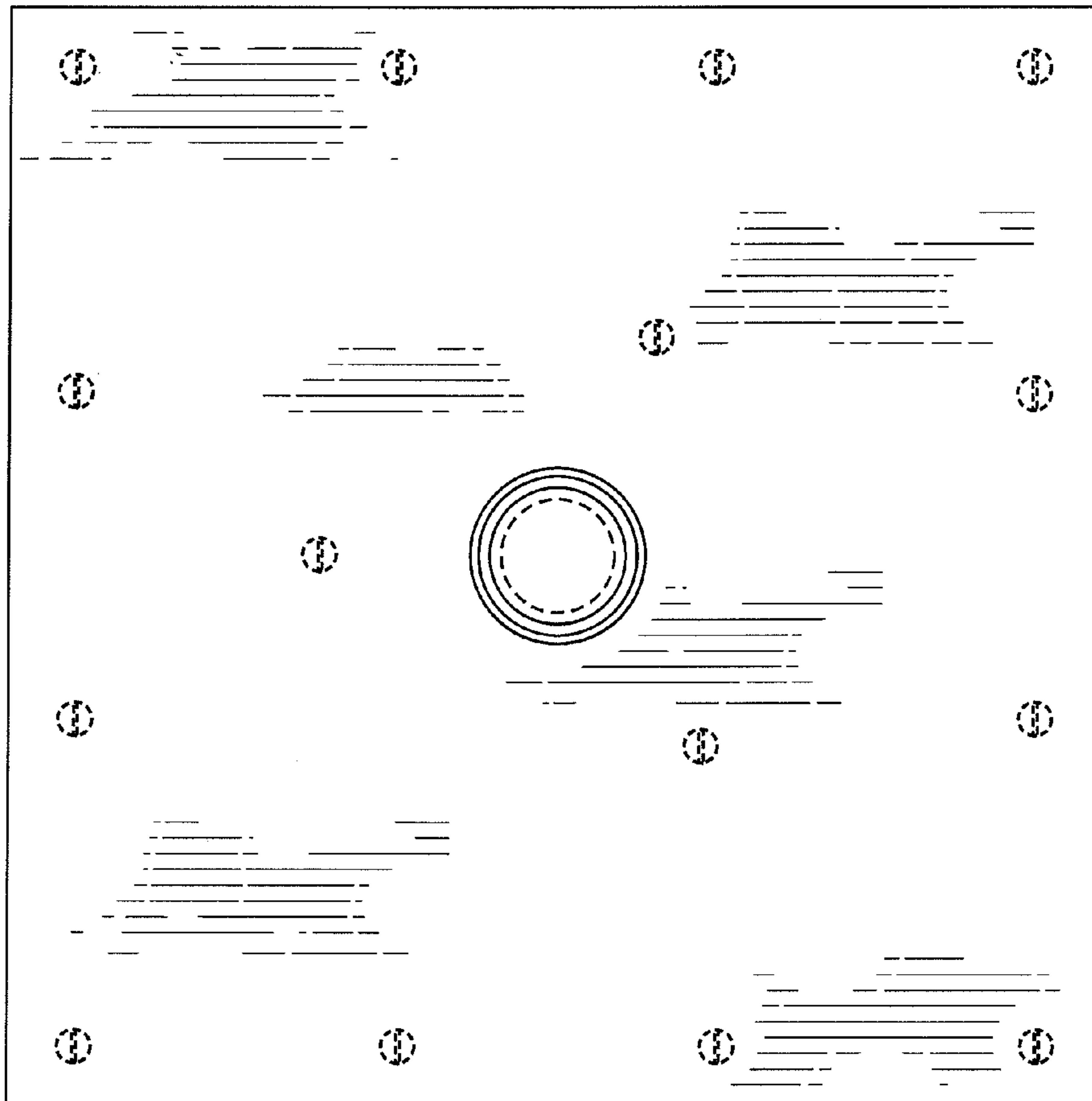


FIG. 40

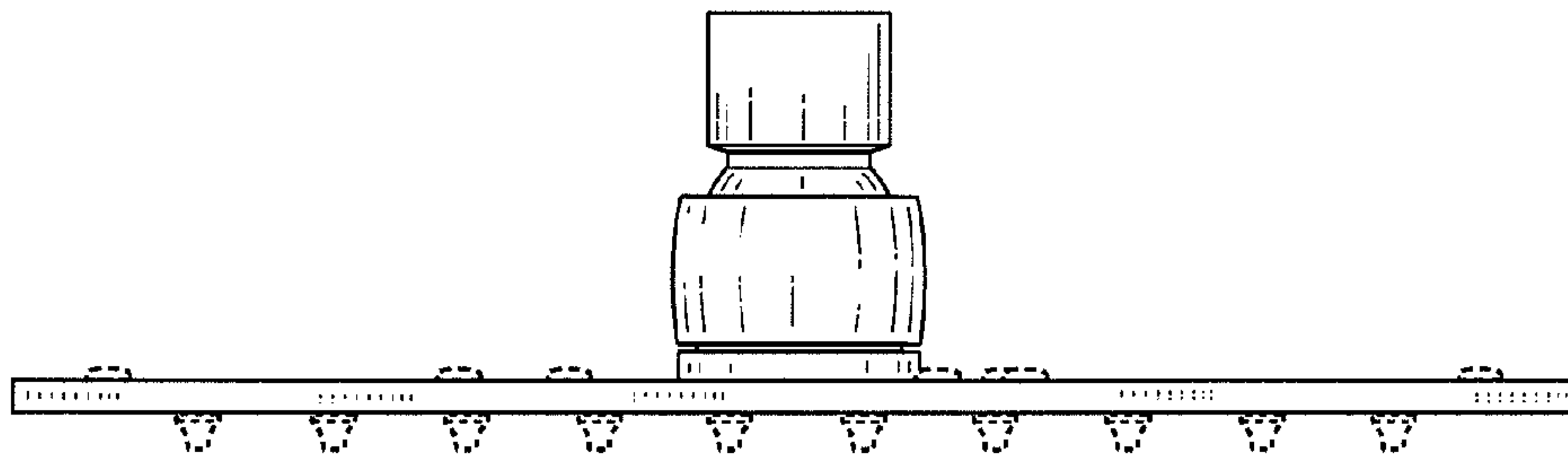


FIG. 41

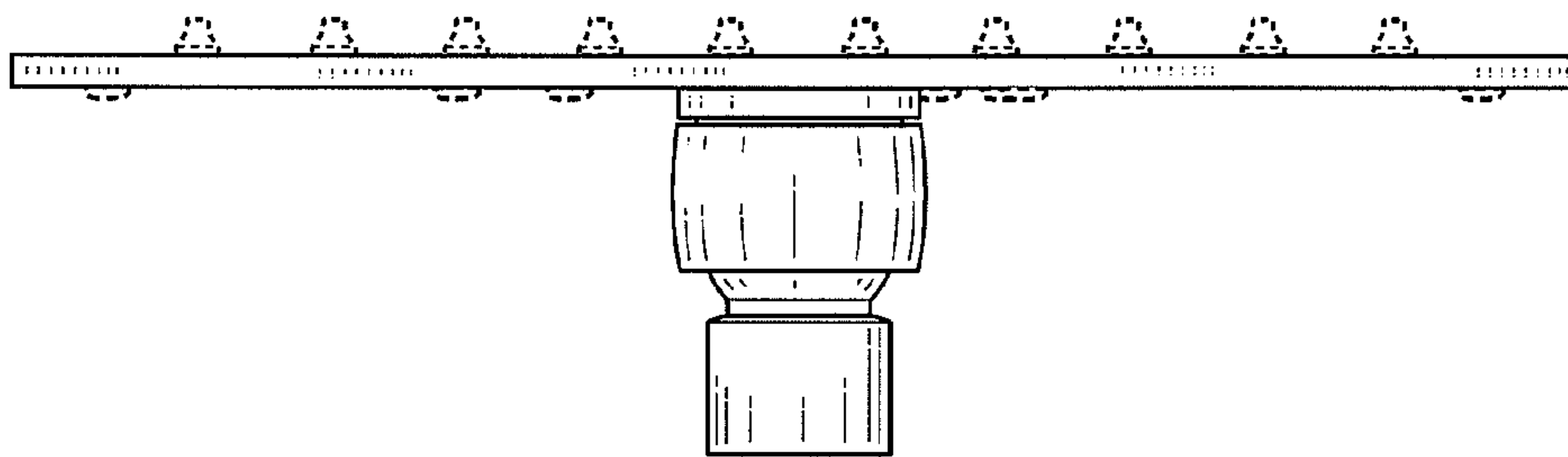


FIG. 42

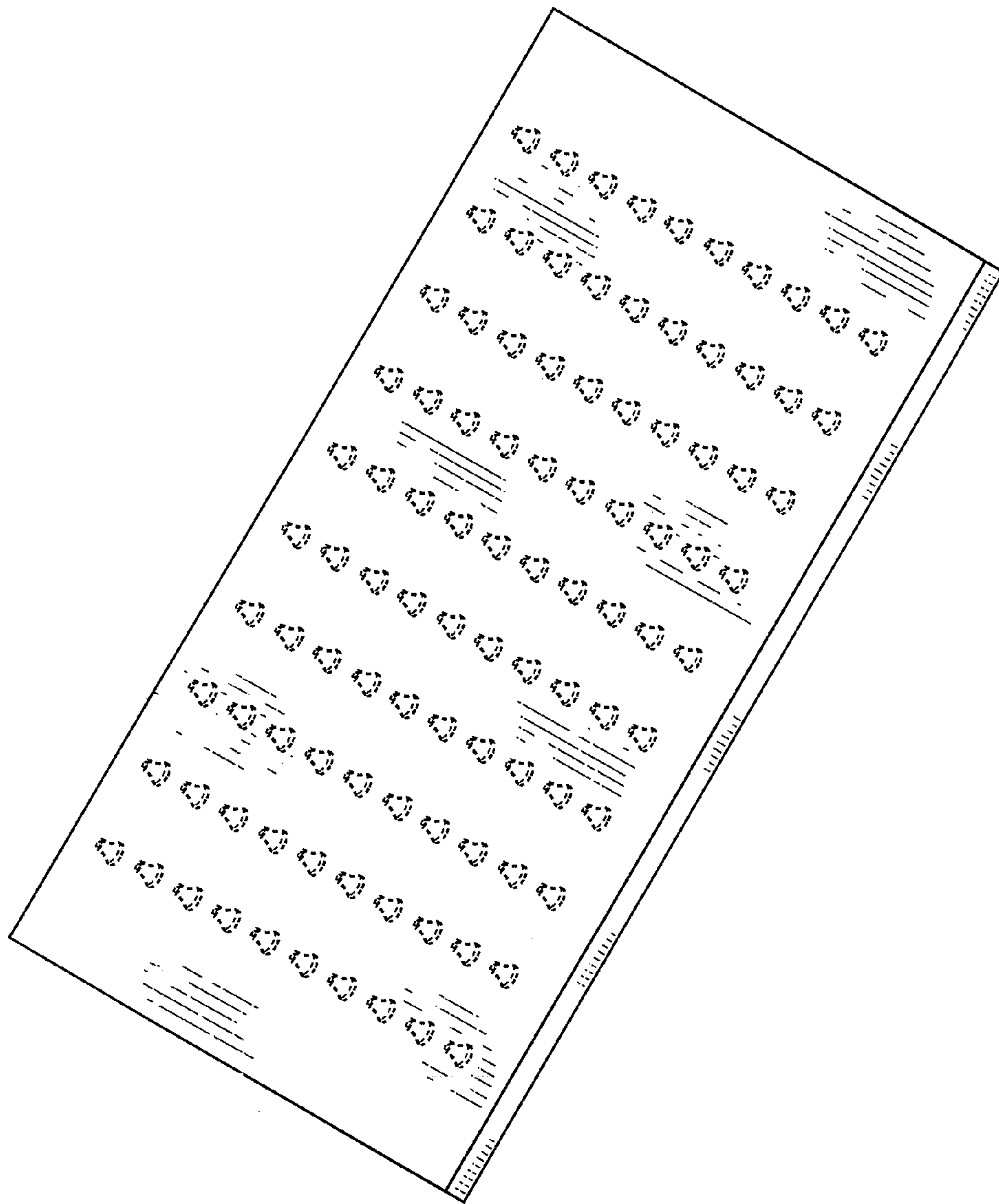


FIG. 43

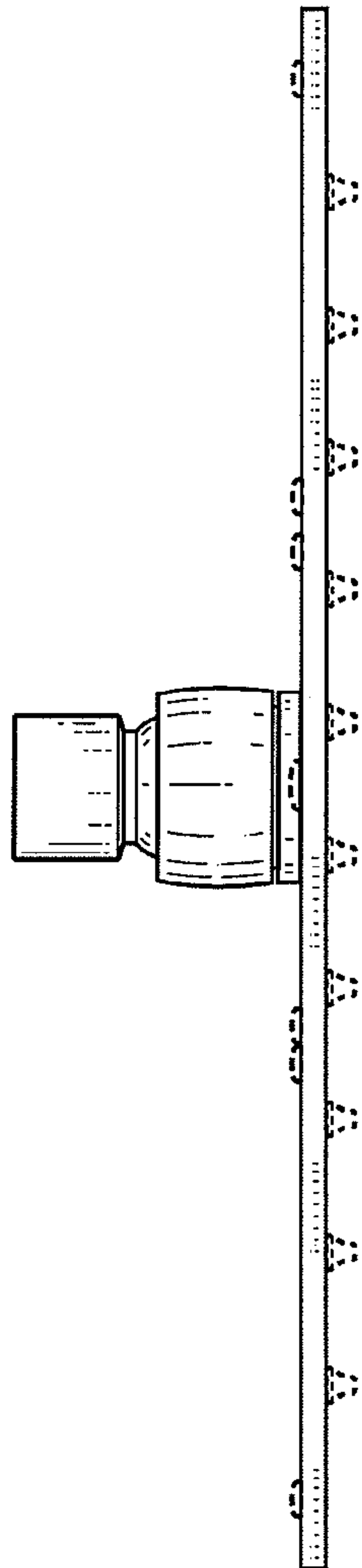


FIG. 44

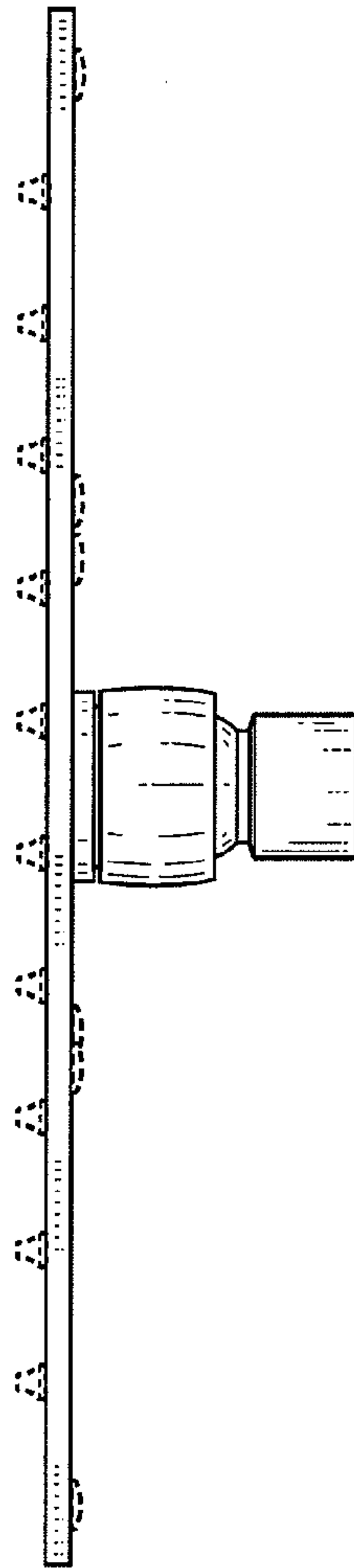


FIG. 45



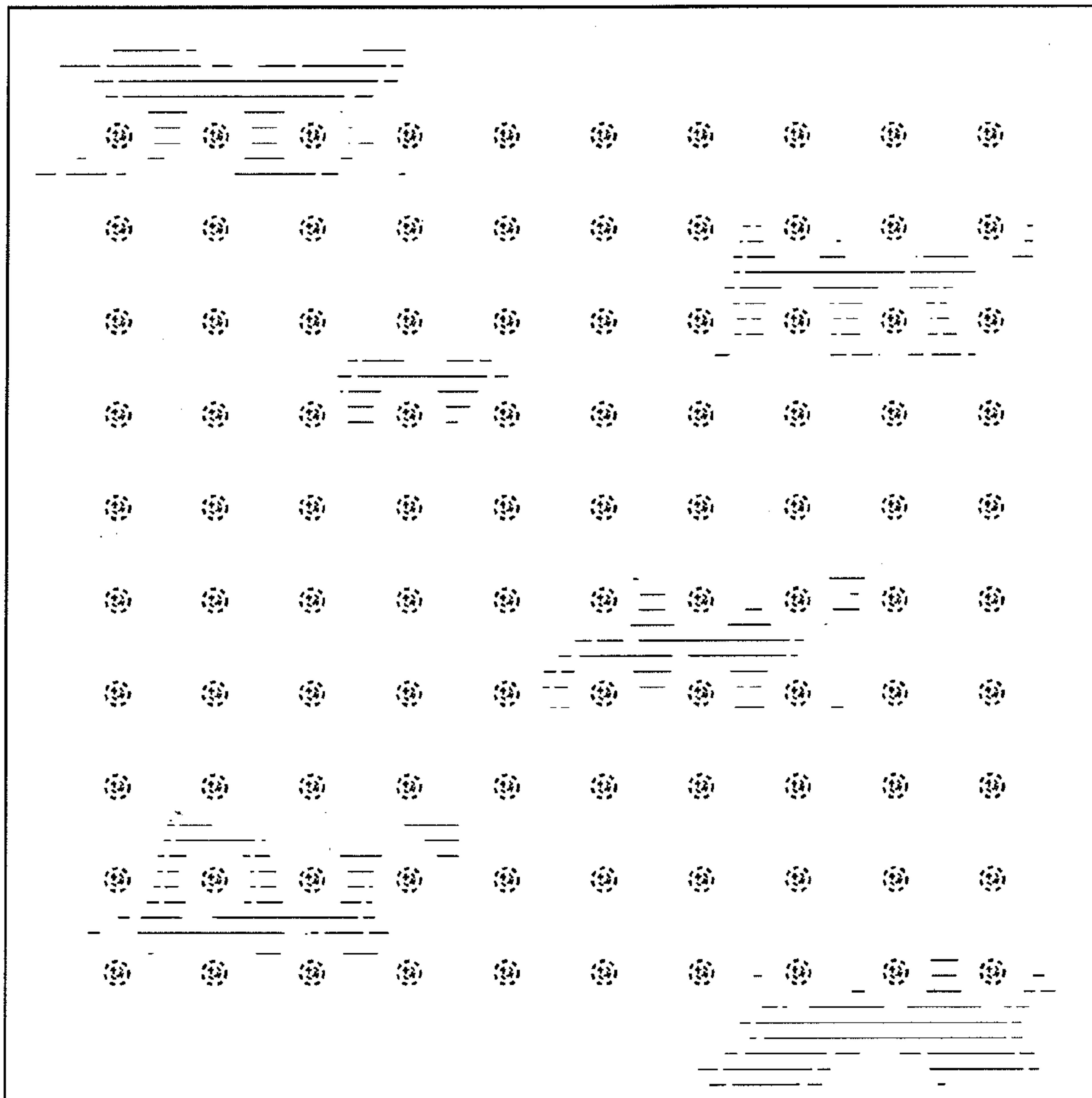


FIG. 46

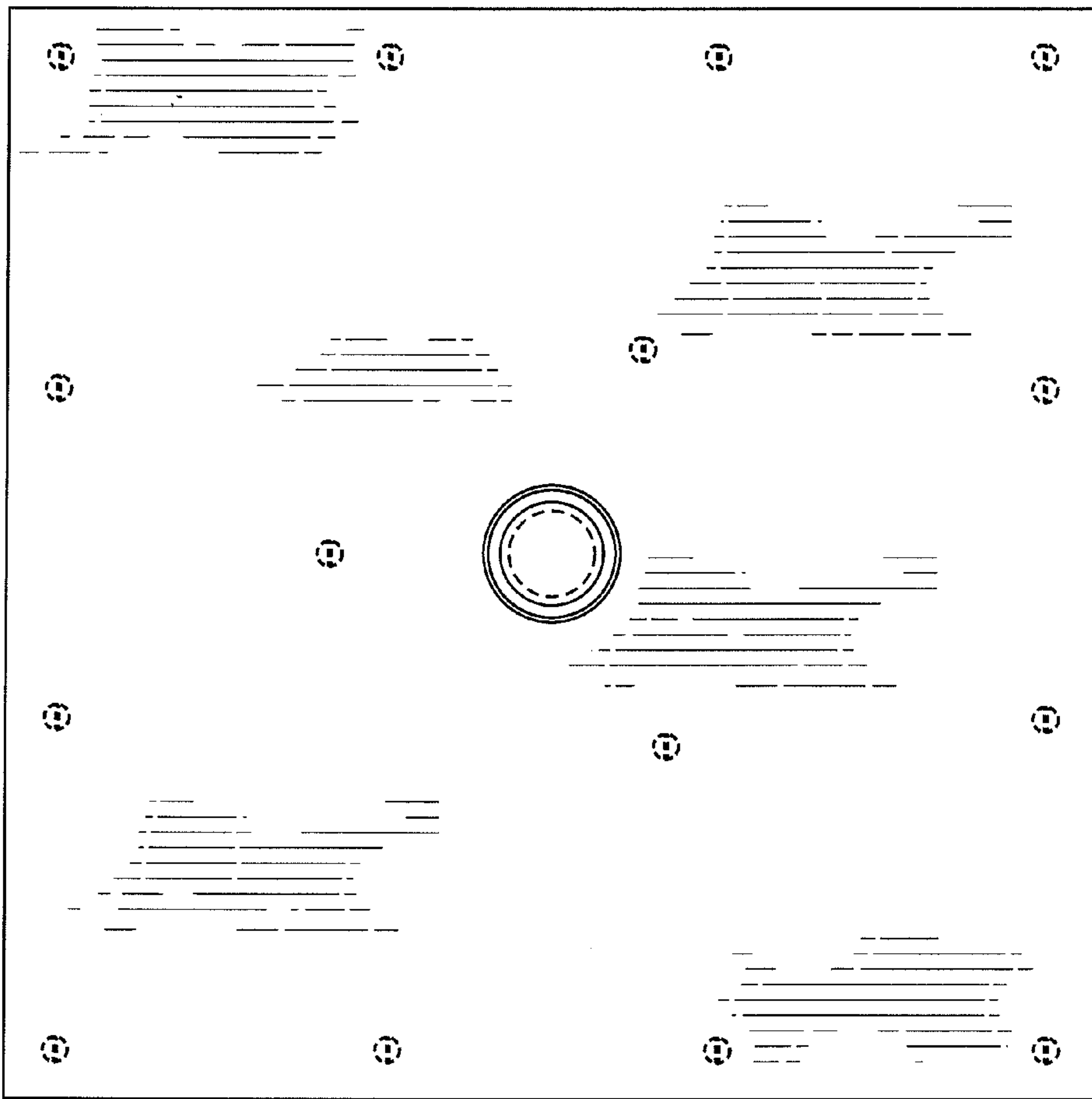


FIG. 47

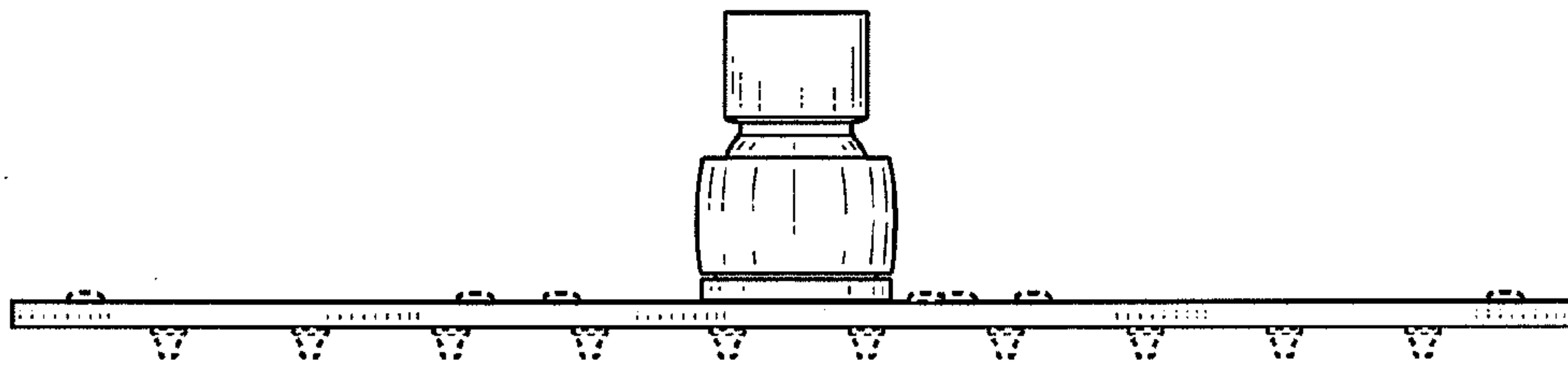


FIG. 48

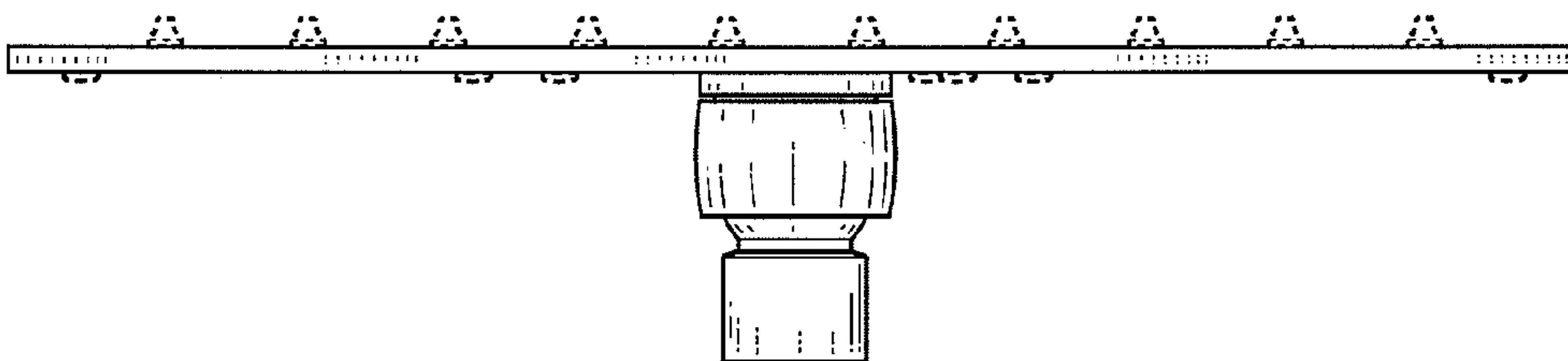


FIG. 49

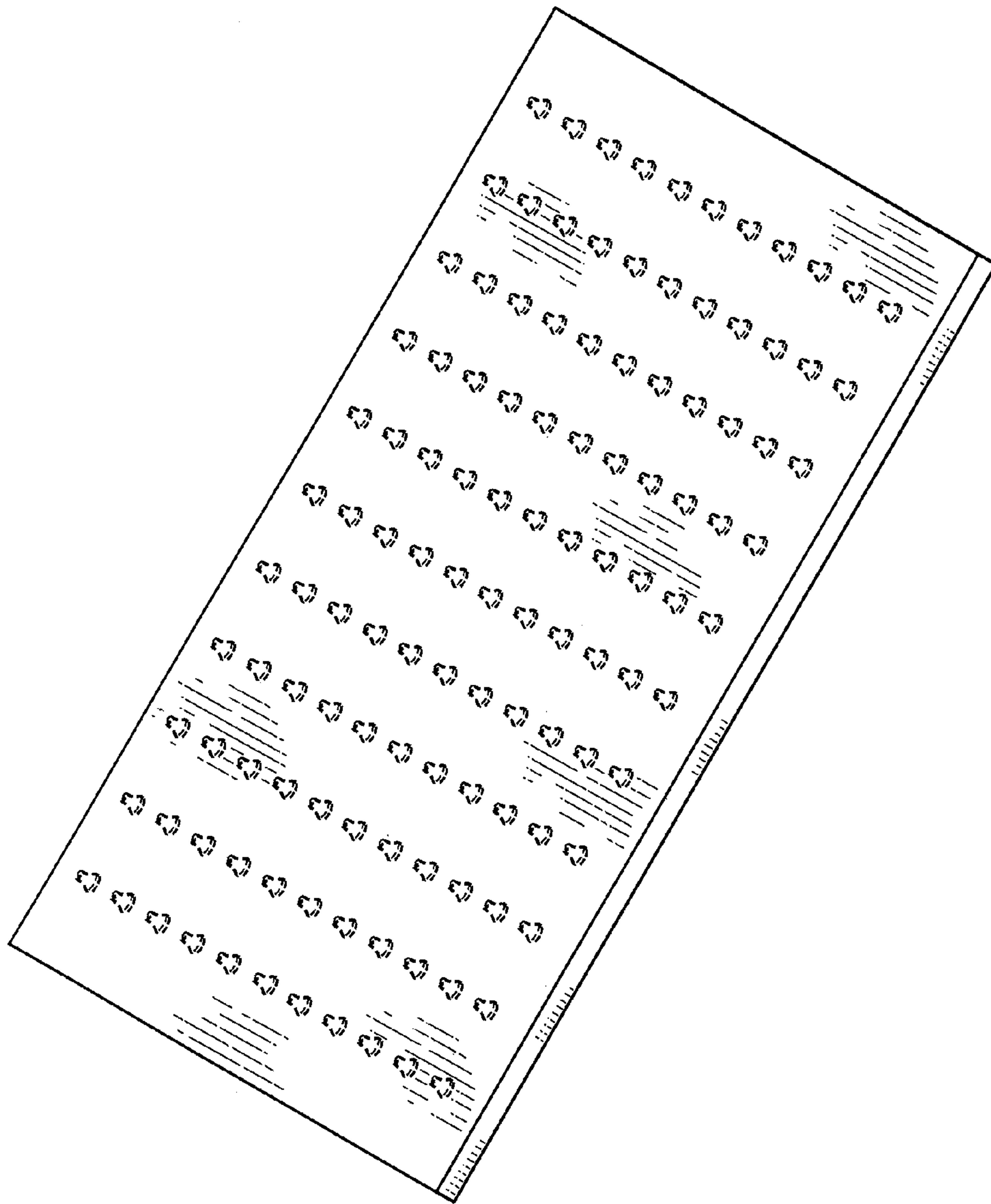


FIG. 50

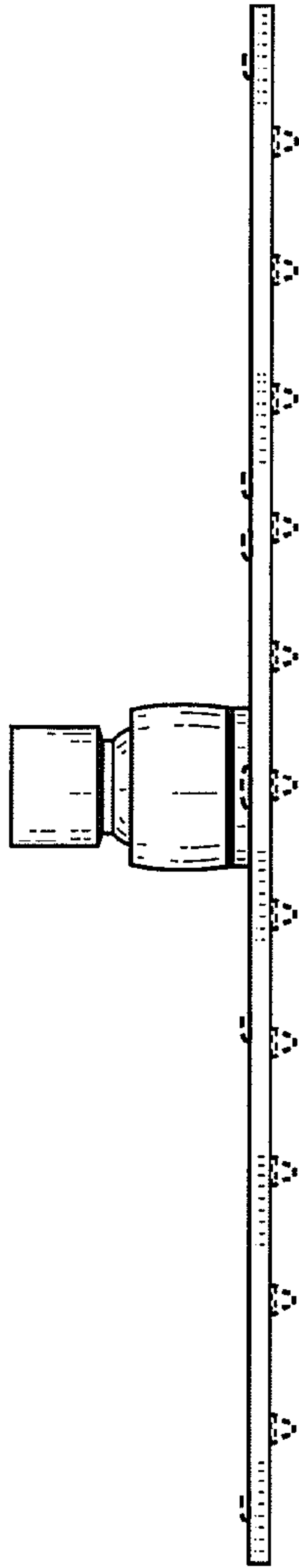


FIG. 51

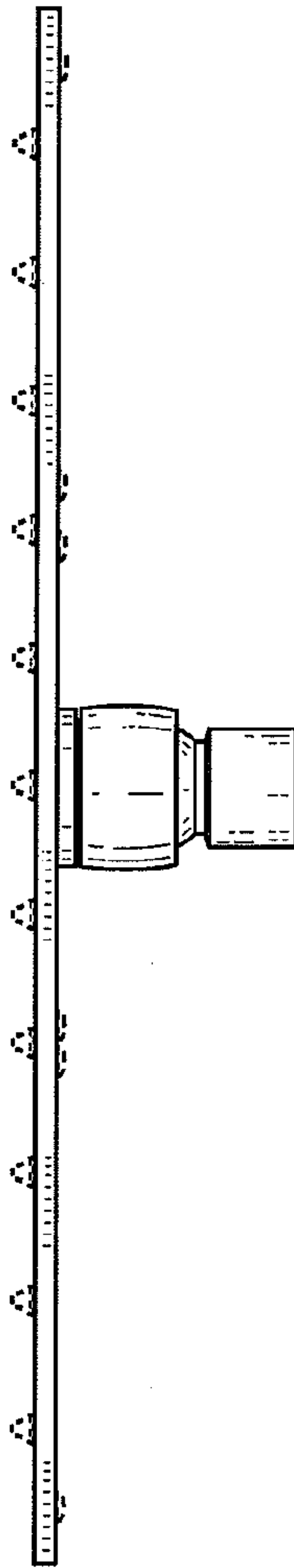


FIG. 52

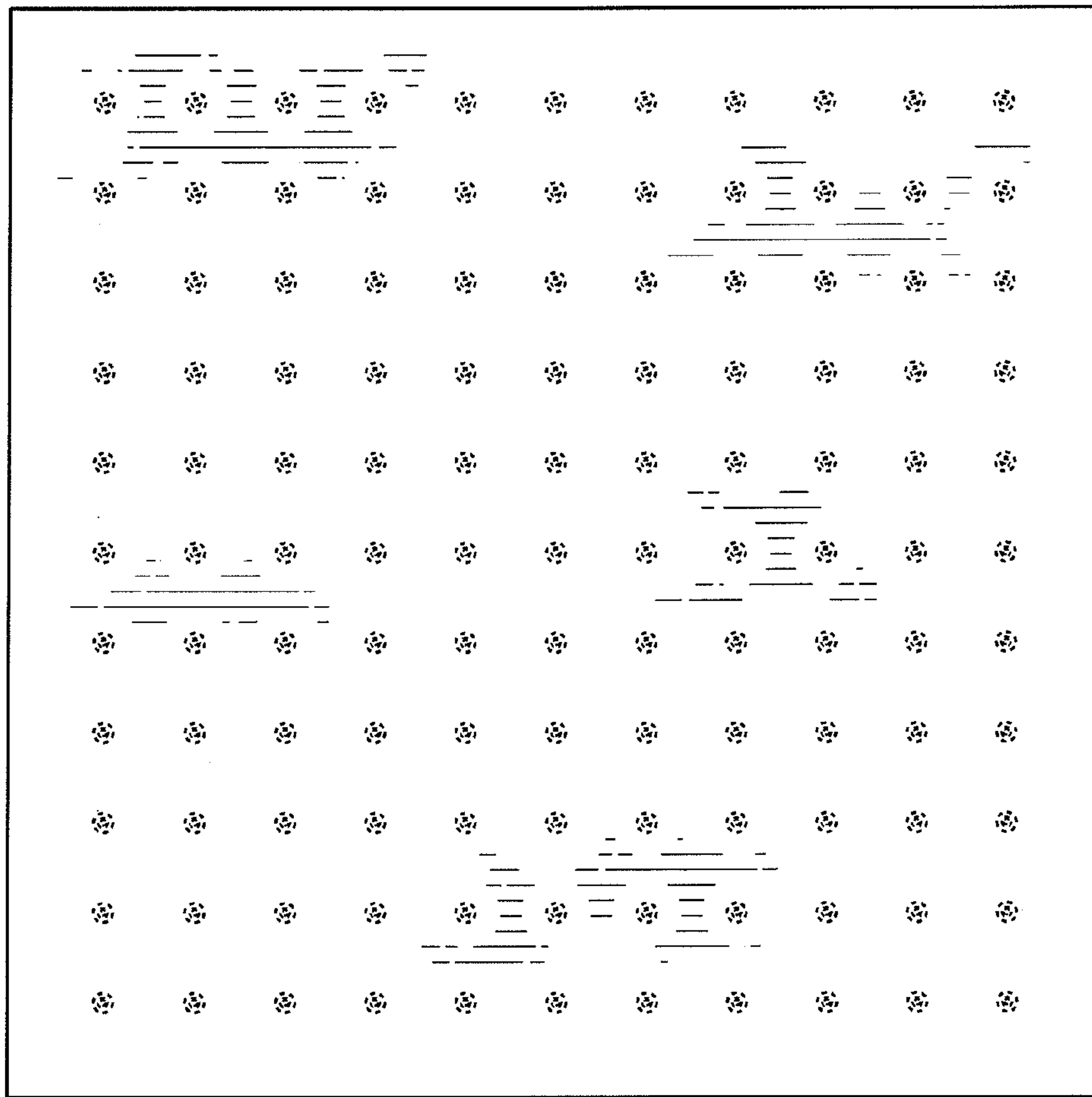


FIG. 53

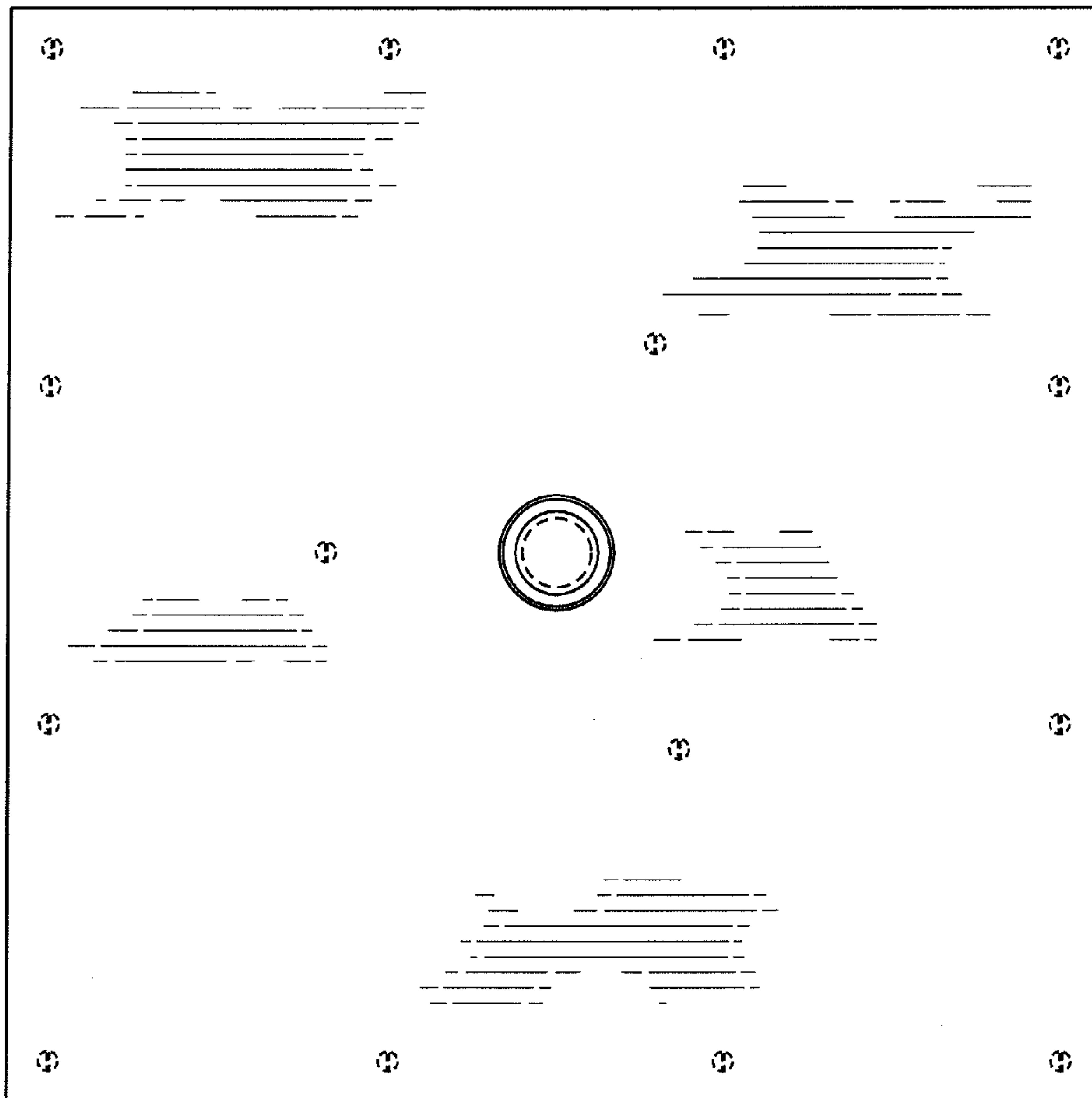


FIG. 54



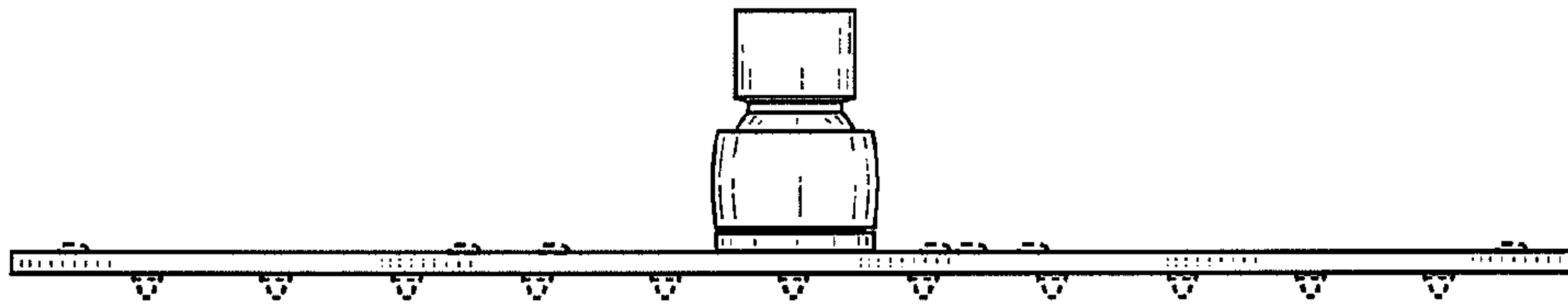


FIG. 55

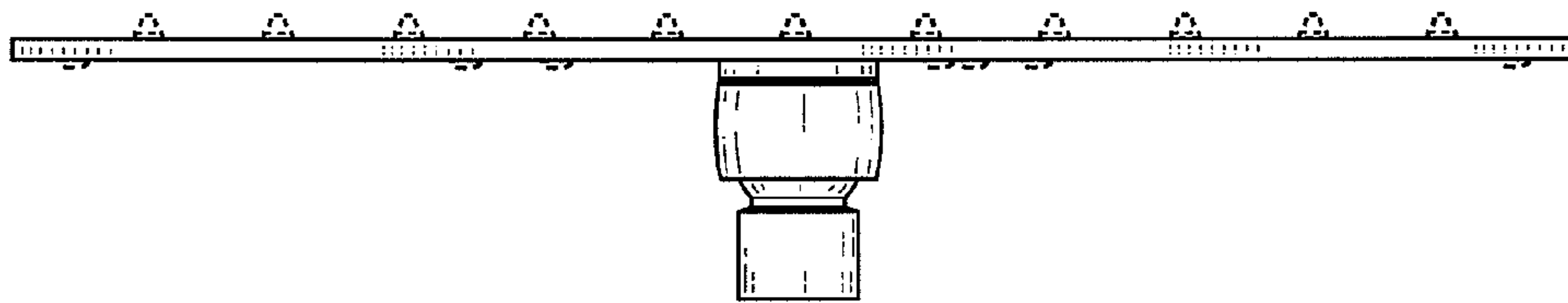


FIG. 56