



US00D738990S

(12) **United States Design Patent**
Gerhards

(10) **Patent No.:** **US D738,990 S**

(45) **Date of Patent:** **** Sep. 15, 2015**

(54) **FLUSHING SYSTEM FOR WATER CLOSETS**

(56) **References Cited**

(71) Applicant: **Henkel AG & Co. KGaA**, Duesseldorf (DE)

U.S. PATENT DOCUMENTS

(72) Inventor: **Katja Gerhards**, Duesseldorf (DE)

D308,409 S *	6/1990	Hoyt et al.	D23/208
D355,474 S *	2/1995	Kearnes et al.	D23/208
6,625,821 B2 *	9/2003	Lhoste	4/231
D508,549 S *	8/2005	Keramidas	D23/208
8,099,800 B2 *	1/2012	Sawalski et al.	4/223
D698,414 S *	1/2014	Bruining et al.	D23/208

(73) Assignee: **Henkel AG & Co. KGaA**, Duesseldorf (DE)

* cited by examiner

(**) Term: **14 Years**

Primary Examiner — Robin V Webster

(21) Appl. No.: **29/507,019**

(74) *Attorney, Agent, or Firm* — P. Scott Smith

(22) Filed: **Oct. 23, 2014**

(57) **CLAIM**

The ornamental design for a flushing system for water closets, as shown and described.

Related U.S. Application Data

DESCRIPTION

(62) Division of application No. 29/468,214, filed on Sep. 27, 2013, now Pat. No. Des. 721,784.

FIG. 1 is a front perspective view of a flushing system for water closets embodying my new design;

(30) **Foreign Application Priority Data**

Apr. 12, 2013 (EM) 002219287

FIG. 2 is a front side elevation view thereof;

(51) **LOC (10) Cl.** **23-01**

FIG. 3 is a rear side elevation view thereof;

(52) **U.S. Cl.**

FIG. 4 is a right side elevation view thereof;

USPC **D23/208**

FIG. 5 is a left side elevation view thereof;

(58) **Field of Classification Search**

FIG. 6 is a top plan view thereof; and,

USPC D23/207, 208; 4/223, 225.1, 227.1,

FIG. 7 is a bottom plan view thereof.

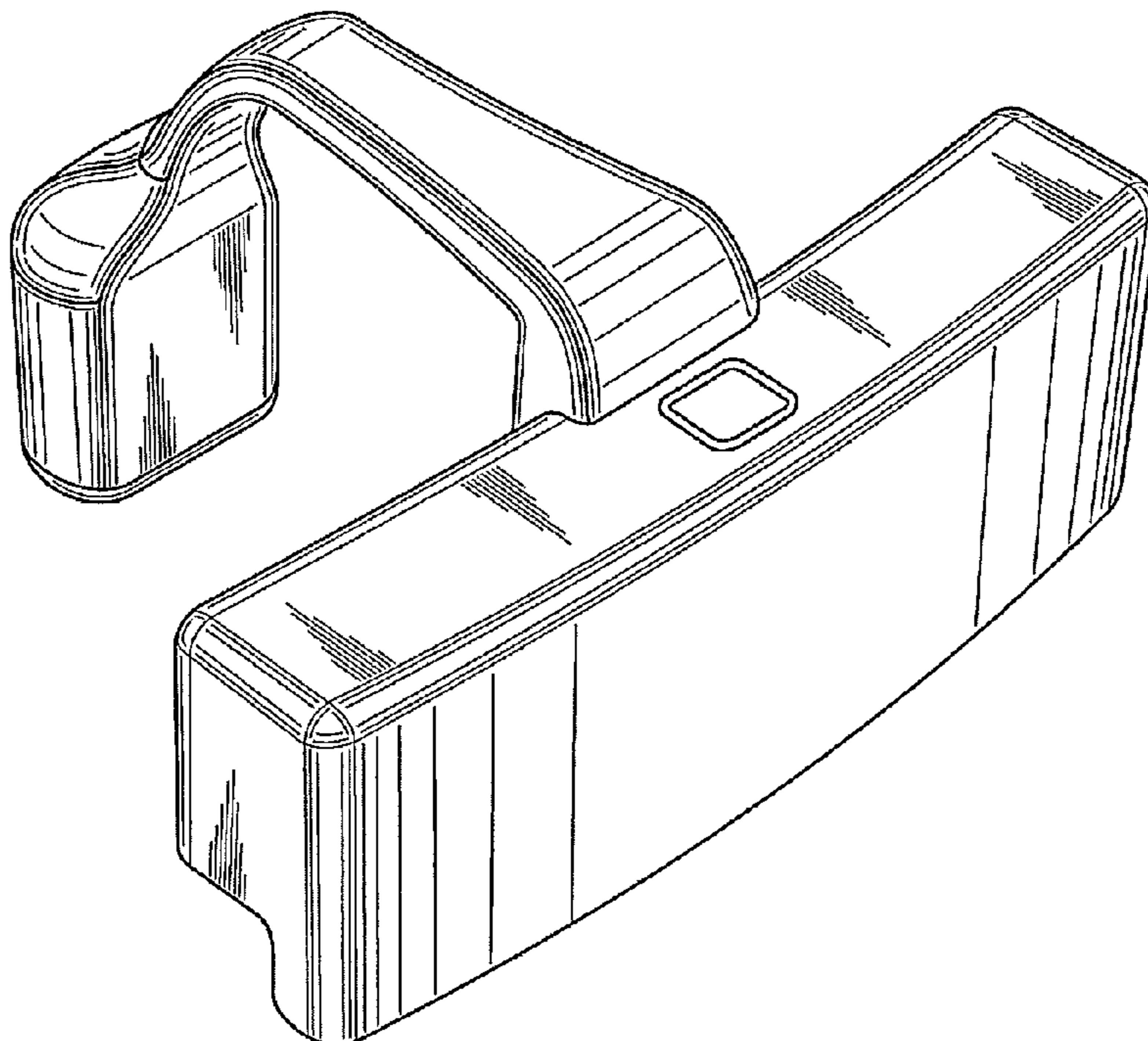
4/231, 232

The broken line showing is included for the purpose of illustrating and forms no part of the claimed design.

CPC E03D 9/02; E03D 9/032

See application file for complete search history.

1 Claim, 5 Drawing Sheets



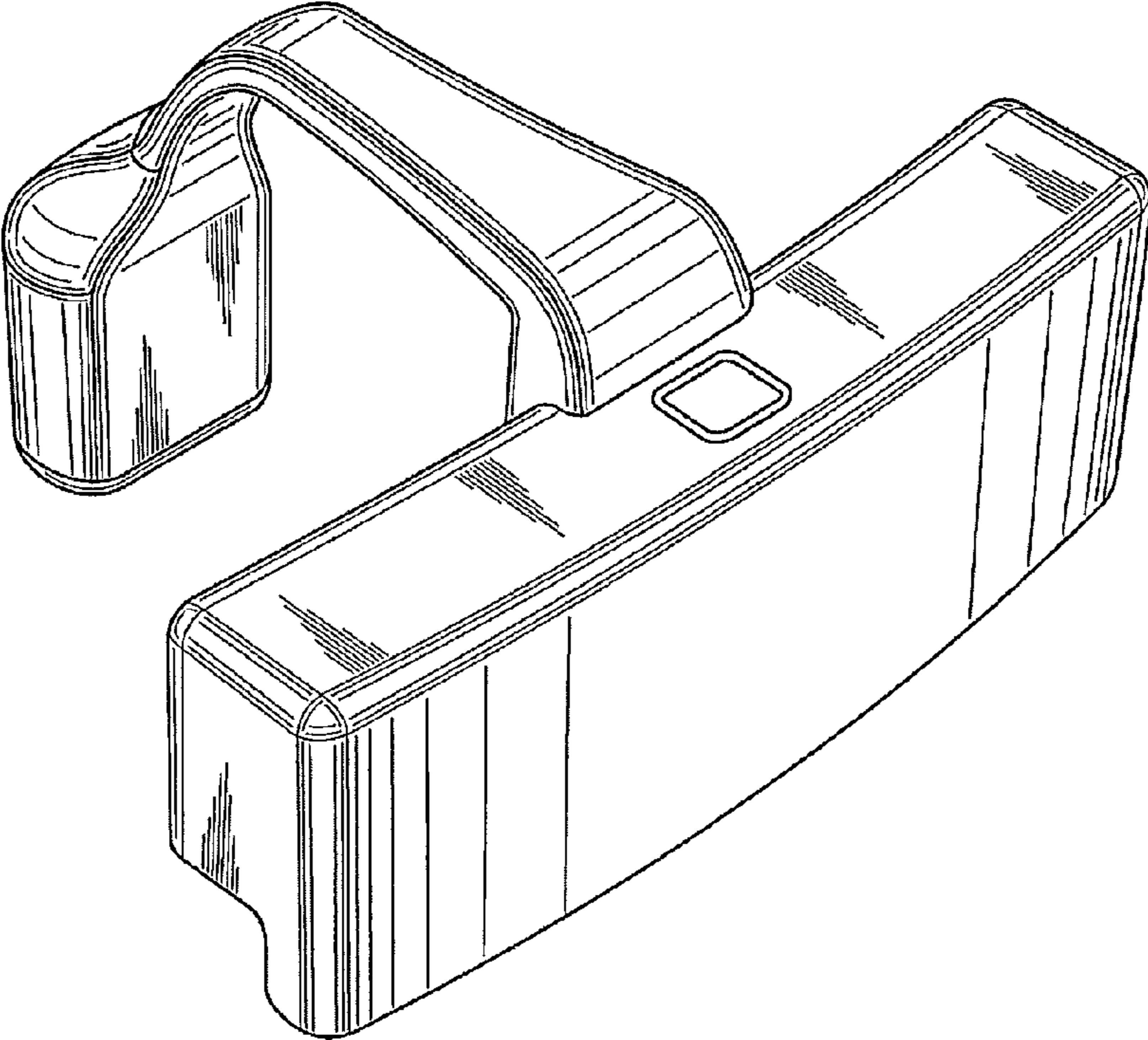


FIG. 1

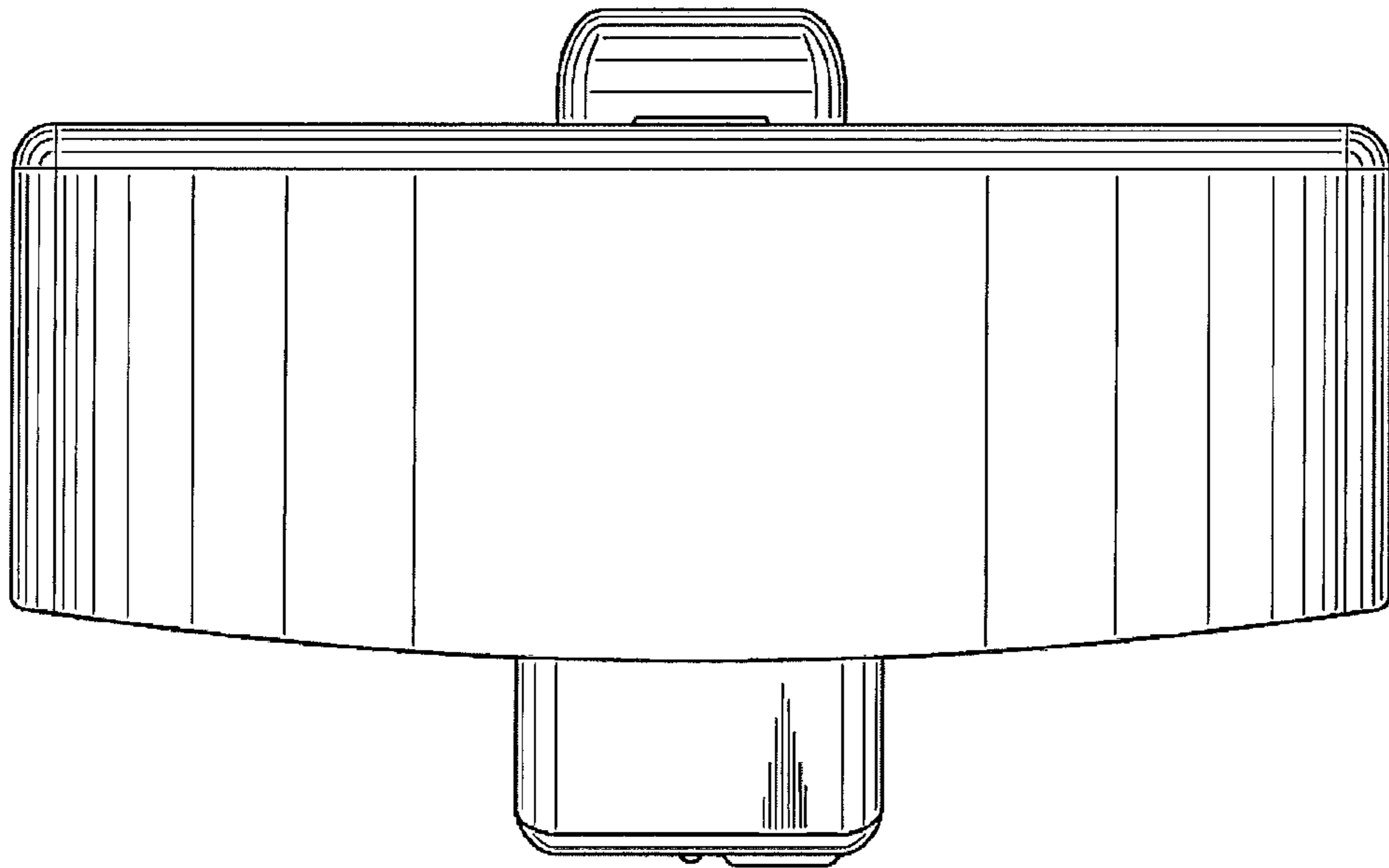


FIG. 2

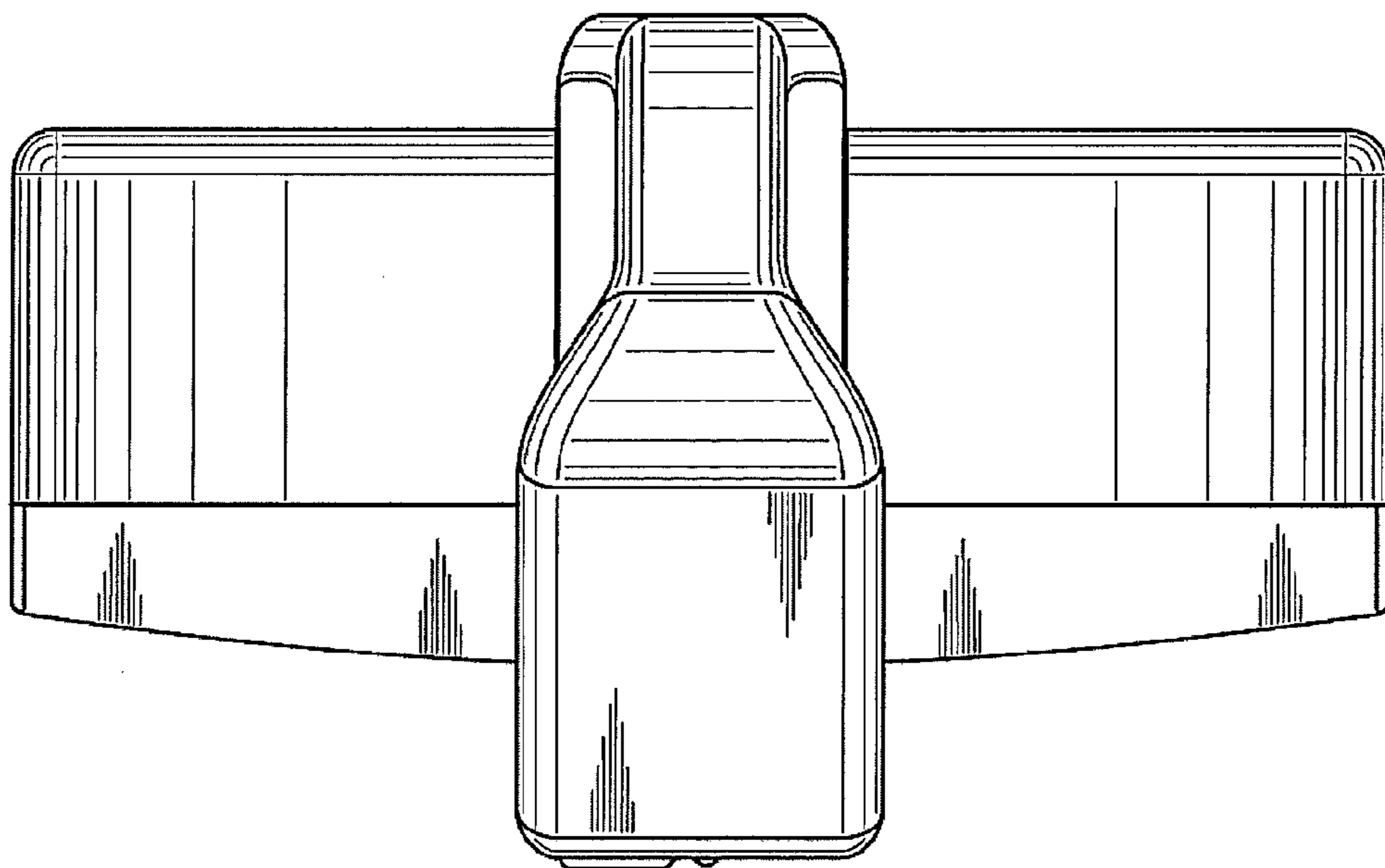


FIG. 3

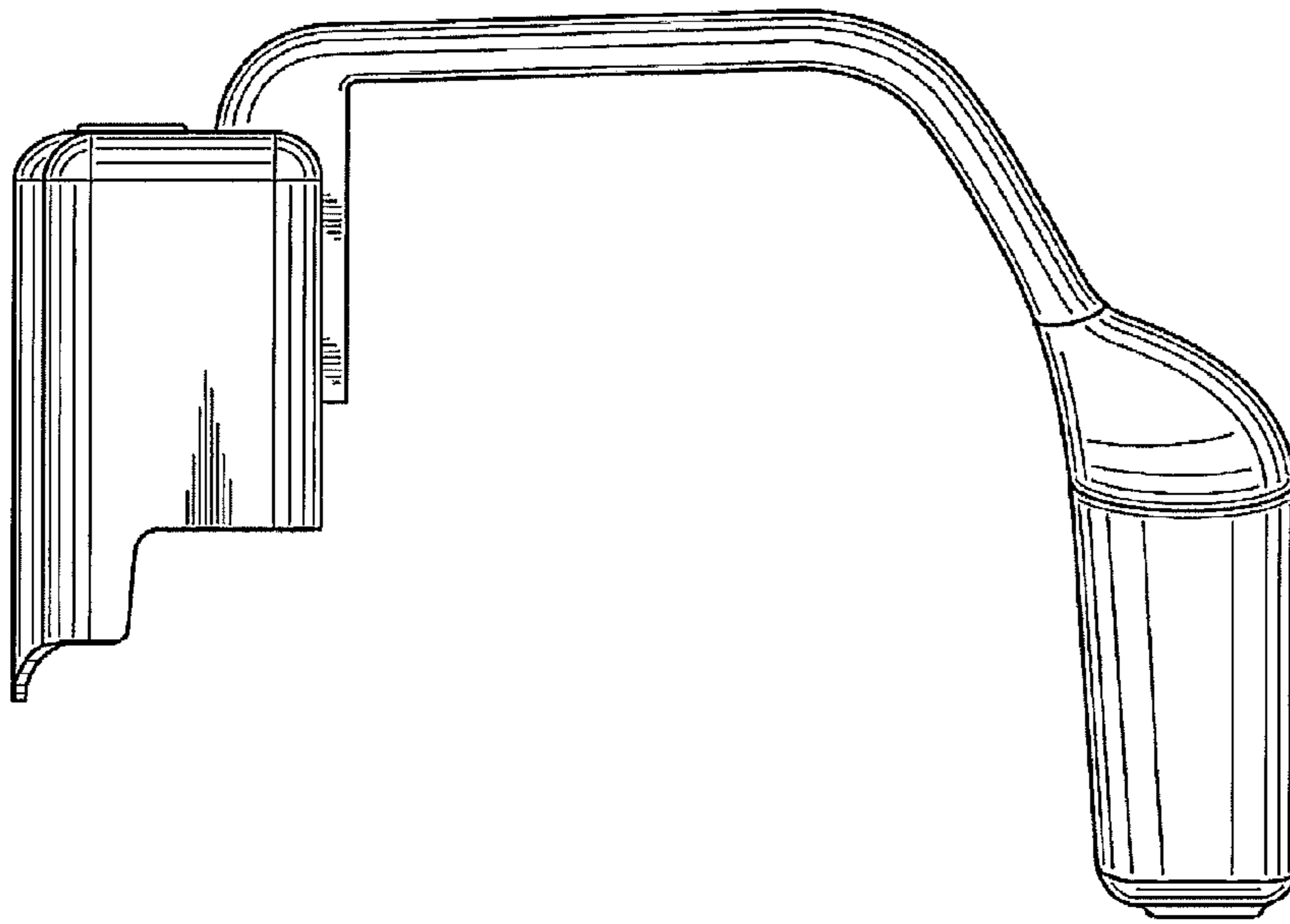


FIG. 4

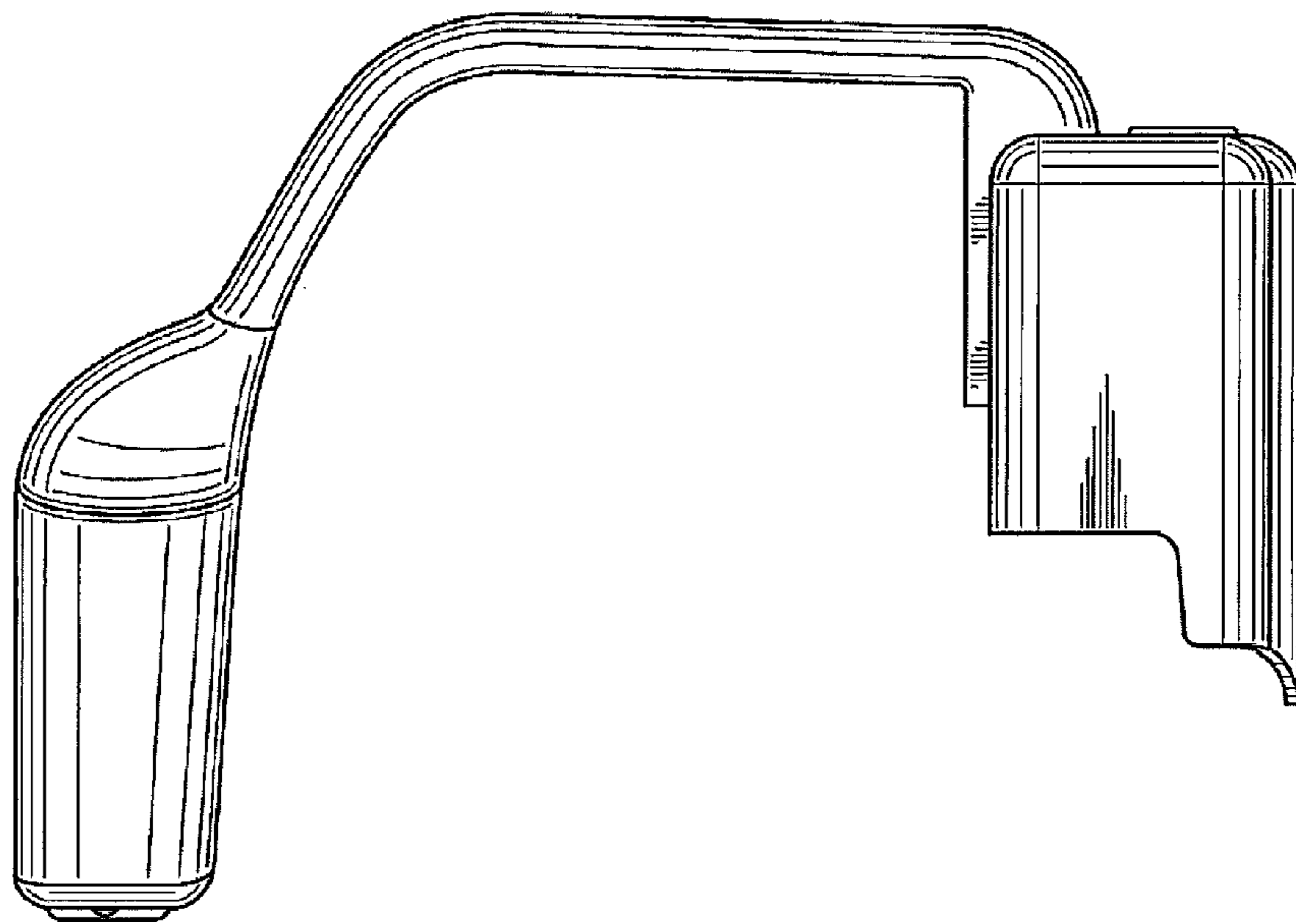


FIG. 5

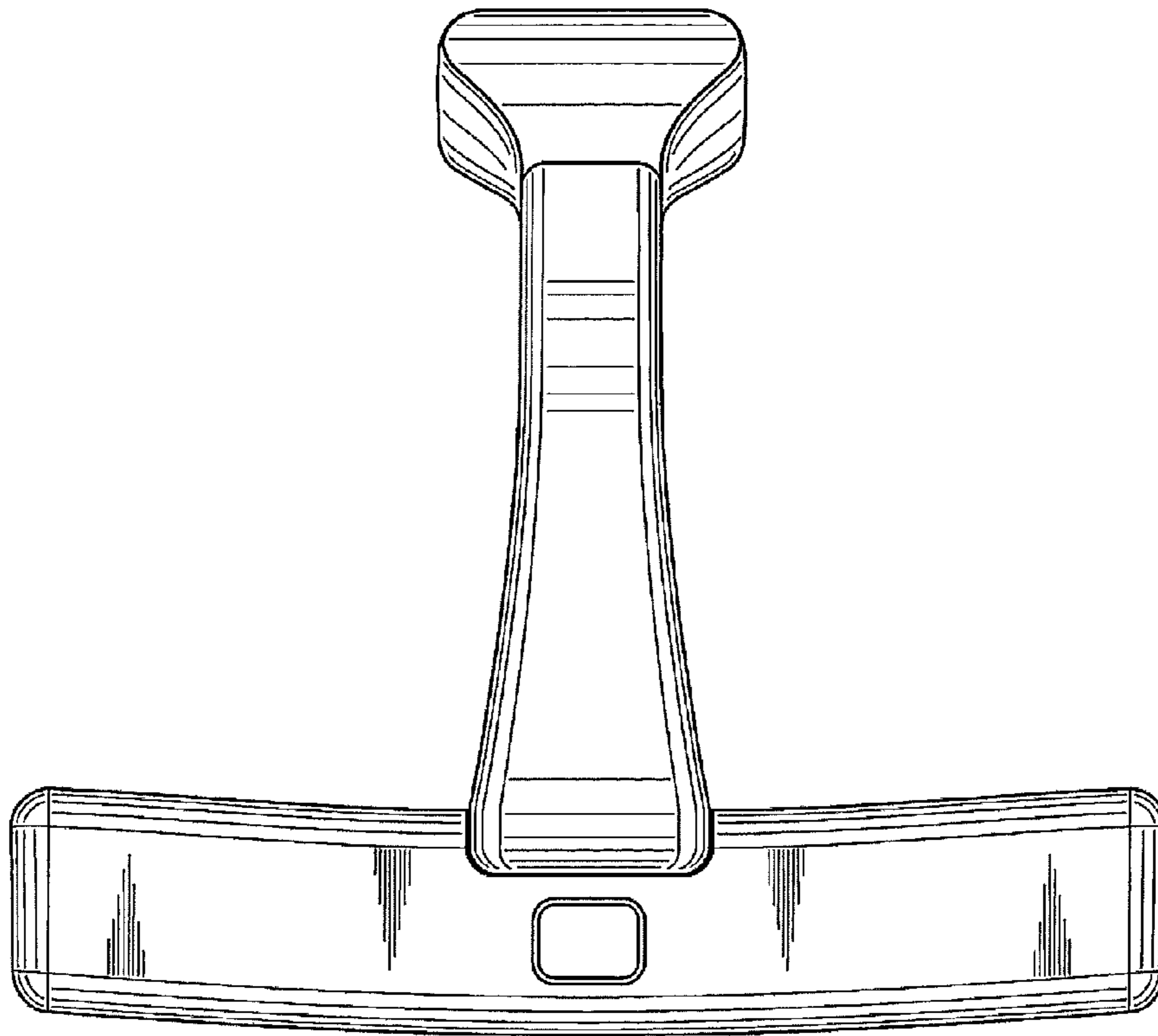


FIG. 6

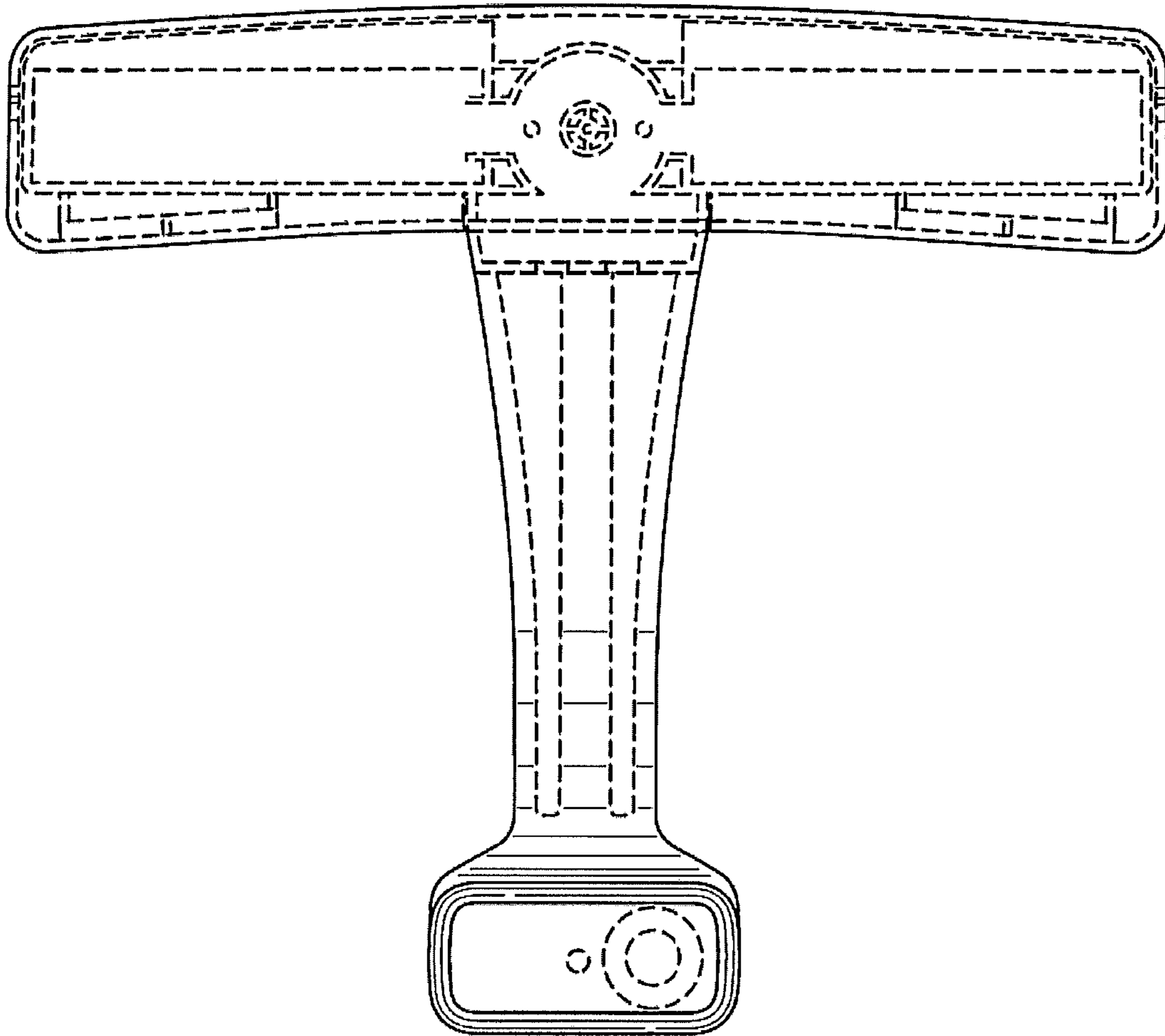


FIG. 7