

US00D738987S

(12) **United States Design Patent**  
**Hughes**

(10) **Patent No.:** **US D738,987 S**

(45) **Date of Patent:** **\*\* Sep. 15, 2015**

(54) **LASER DEVICE**

(71) Applicant: **Crimson Trace Corporation,**  
Wilsonville, OR (US)

(72) Inventor: **Daniel L. Hughes,** Damascus, OR (US)

(73) Assignee: **Crimson Trace Corporation,**  
Wilsonville, OR (US)

(\*\*) Term: **14 Years**

(21) Appl. No.: **29/488,831**

(22) Filed: **Apr. 23, 2014**

(51) **LOC (10) Cl.** ..... **22-01**

(52) **U.S. Cl.**  
USPC ..... **D22/109**

(58) **Field of Classification Search**

USPC ..... D22/108-109; 89/111-113; 359/399,  
359/823, 744; 42/104, 105, 111-113, 116,  
42/120, 124-126, 127-129, 141-148,  
42/133-140; 33/227, 229  
CPC ... F41G 11/002; F41G 11/003; F41G 11/004;  
F41G 11/005; F41G 1/00; F41G 1/01; F41G  
1/02; F41G 1/06; F41G 1/065; F41G 1/08;  
F41G 1/10; F41G 1/12; F41G 1/14; F41G  
1/30; F41G 1/32; F41G 1/38; F41G 1/40;  
F41G 1/42; F41G 1/44; F41G 1/46; F41G  
1/383; F41G 1/387; F41G 1/393; F41G 3/00;  
F41G 3/005; F41G 3/02; F41G 3/04; F41G  
3/06; F41G 3/14

See application file for complete search history.

(56) **References Cited**

U.S. PATENT DOCUMENTS

7,805,876	B1 *	10/2010	Danielson et al.	42/114
D669,552	S *	10/2012	Essig et al.	D22/108
D669,957	S *	10/2012	Hughes et al.	D22/108
D689,162	S *	9/2013	Hilbourne et al.	D22/109
8,662,694	B1 *	3/2014	Izumi et al.	362/114
D709,585	S *	7/2014	Kleckner et al.	D22/108
2013/0185982	A1 *	7/2013	Hilbourne et al.	42/117

\* cited by examiner

*Primary Examiner* — Michael A Pratt

(74) *Attorney, Agent, or Firm* — Schwabe, Williamson & Wyatt, P.C.

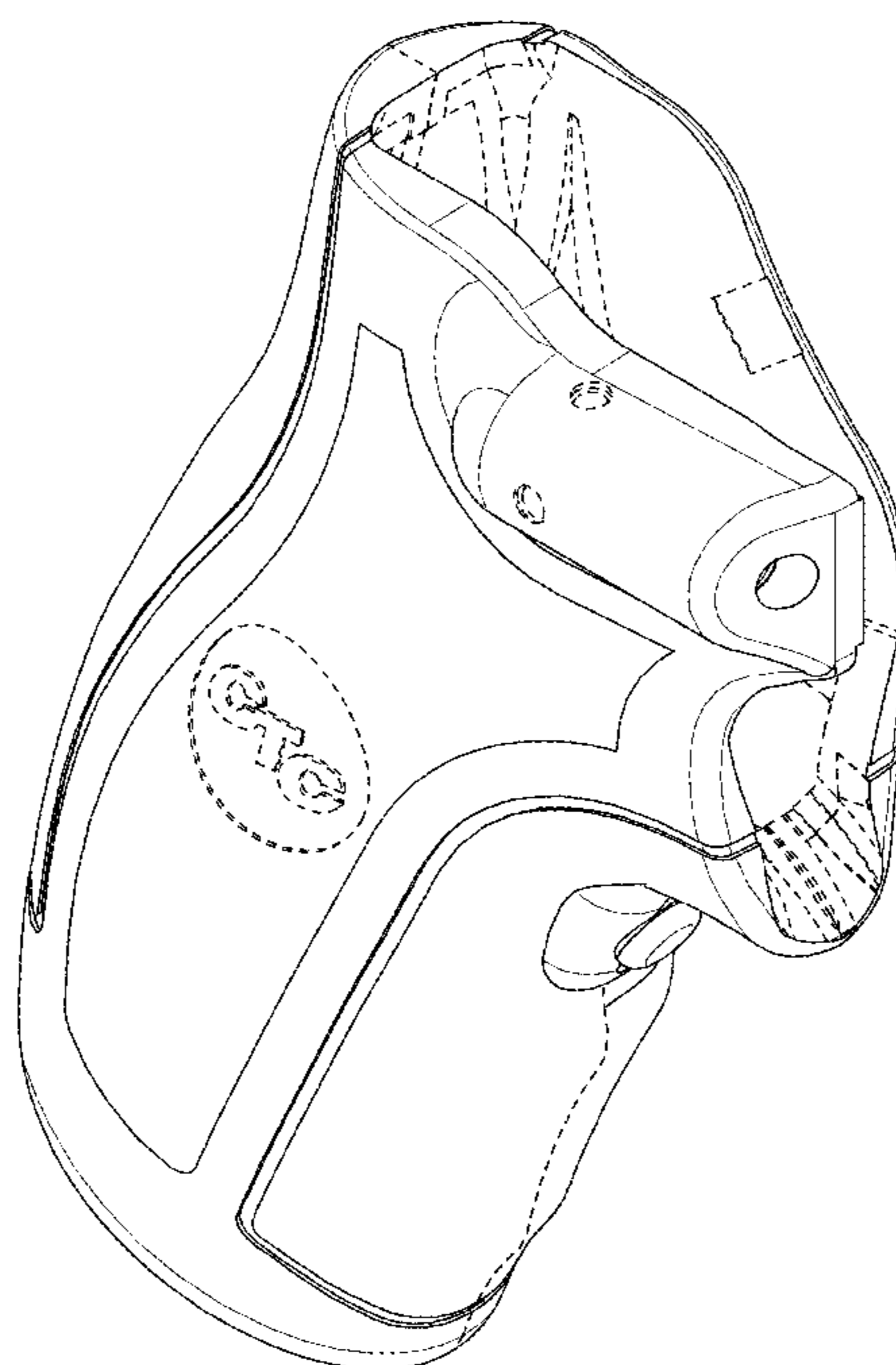
(57) **CLAIM**

I claim an ornamental design for a laser device, as shown and described.

**DESCRIPTION**

FIG. 1 is a perspective view of a laser device, showing our new design;  
FIG. 2 is a front view thereof;  
FIG. 3 is a rear view thereof;  
FIG. 4 is a right side view thereof;  
FIG. 5 is a left side view thereof;  
FIG. 6 is a top view thereof; and,  
FIG. 7 is a bottom view thereof.  
The dashed lines are included for illustrating interior and/or environmental structures and form no part of the claimed design.

**1 Claim, 7 Drawing Sheets**



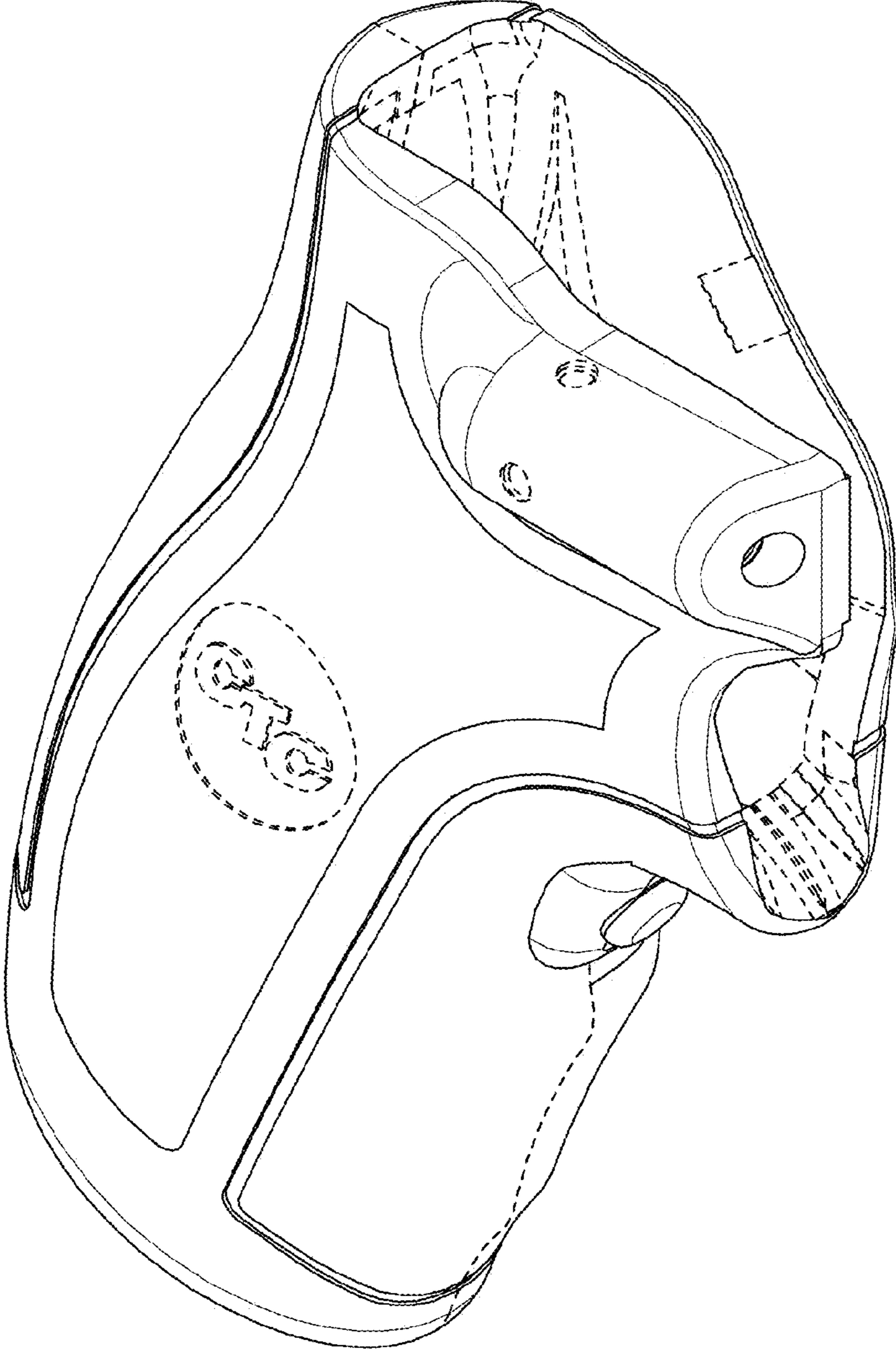


FIG. 1

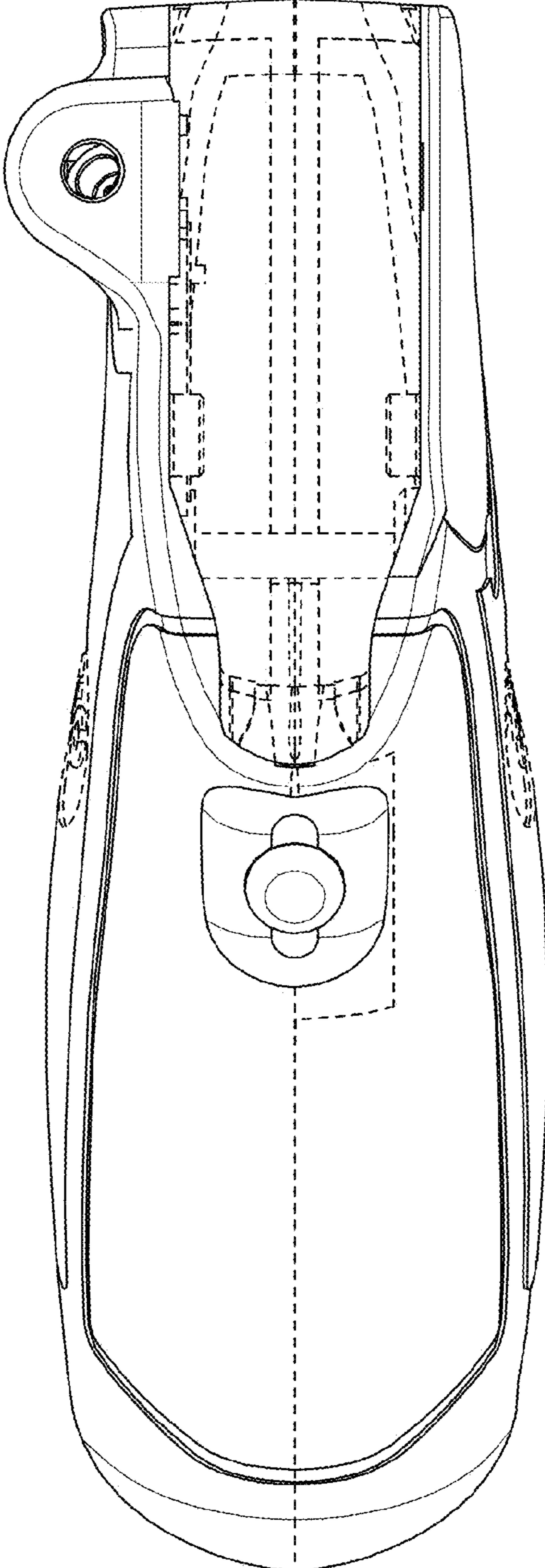


FIG. 2

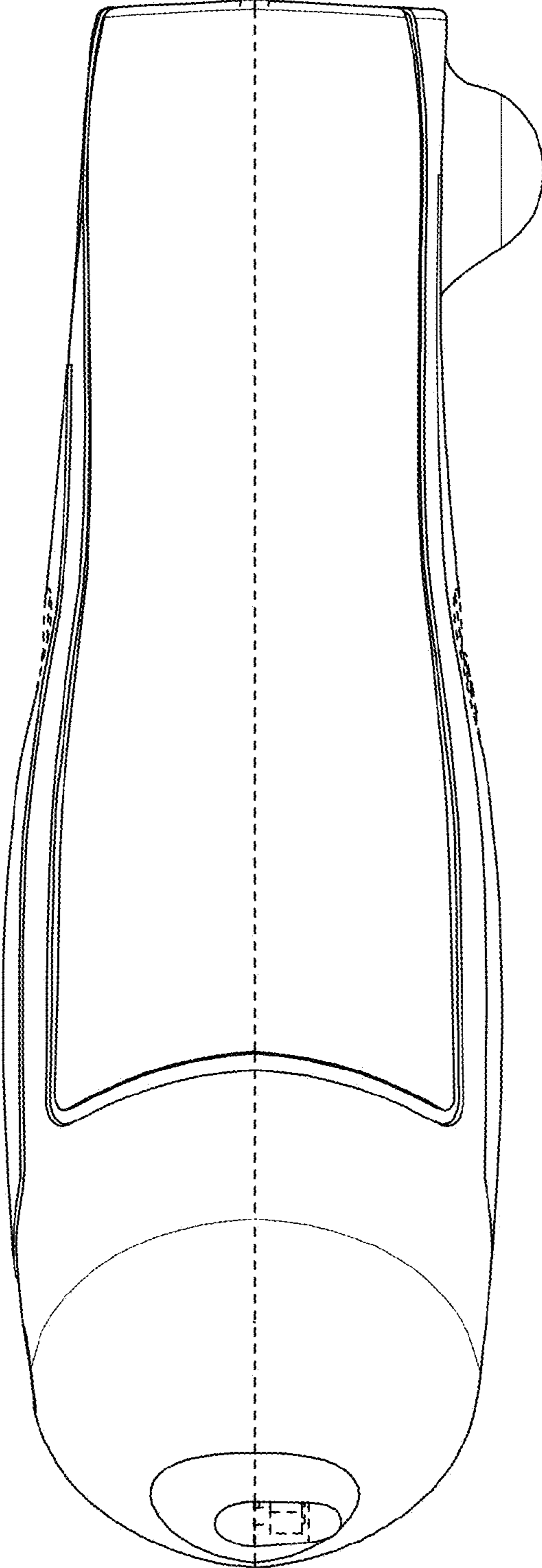


FIG. 3

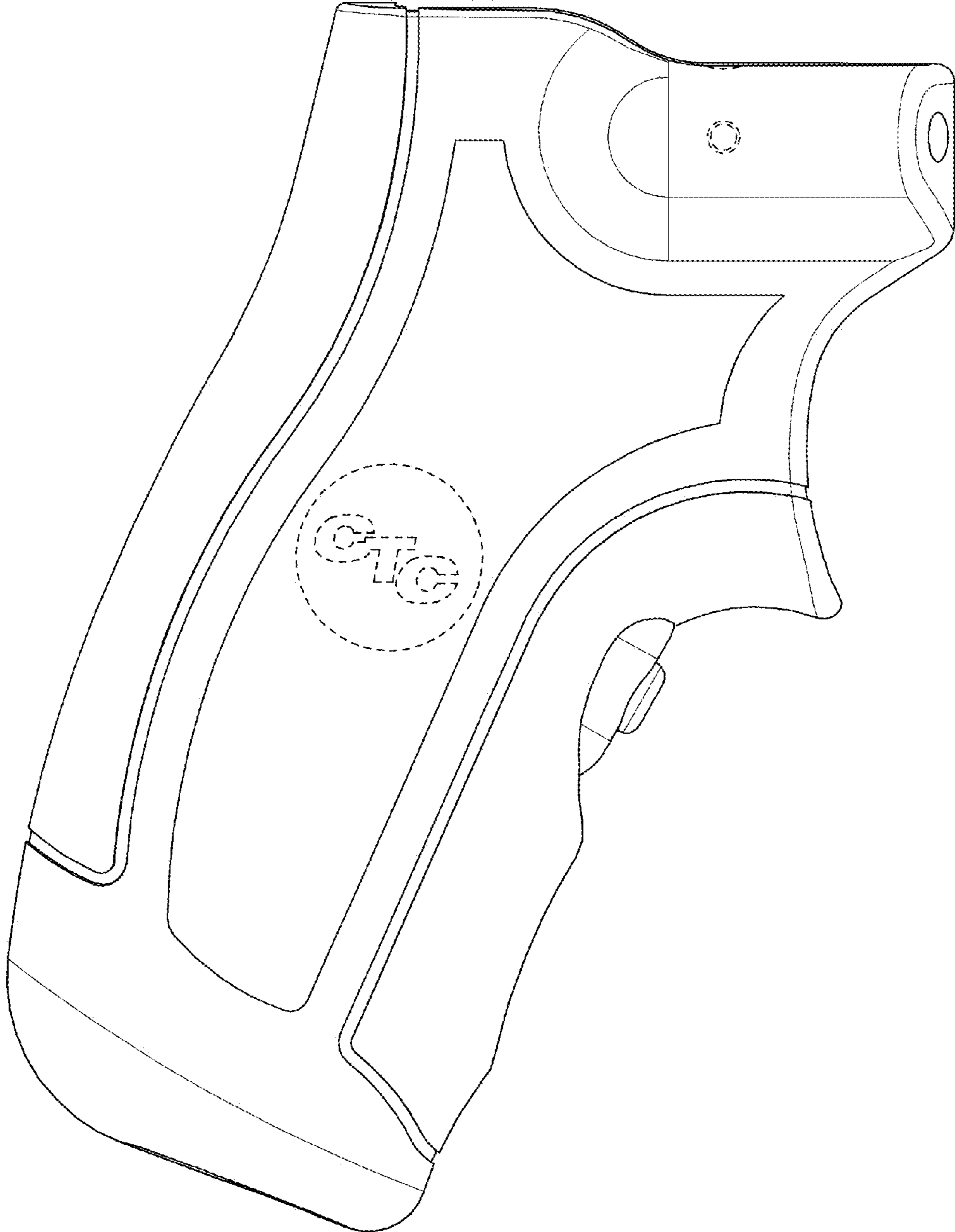


FIG. 4

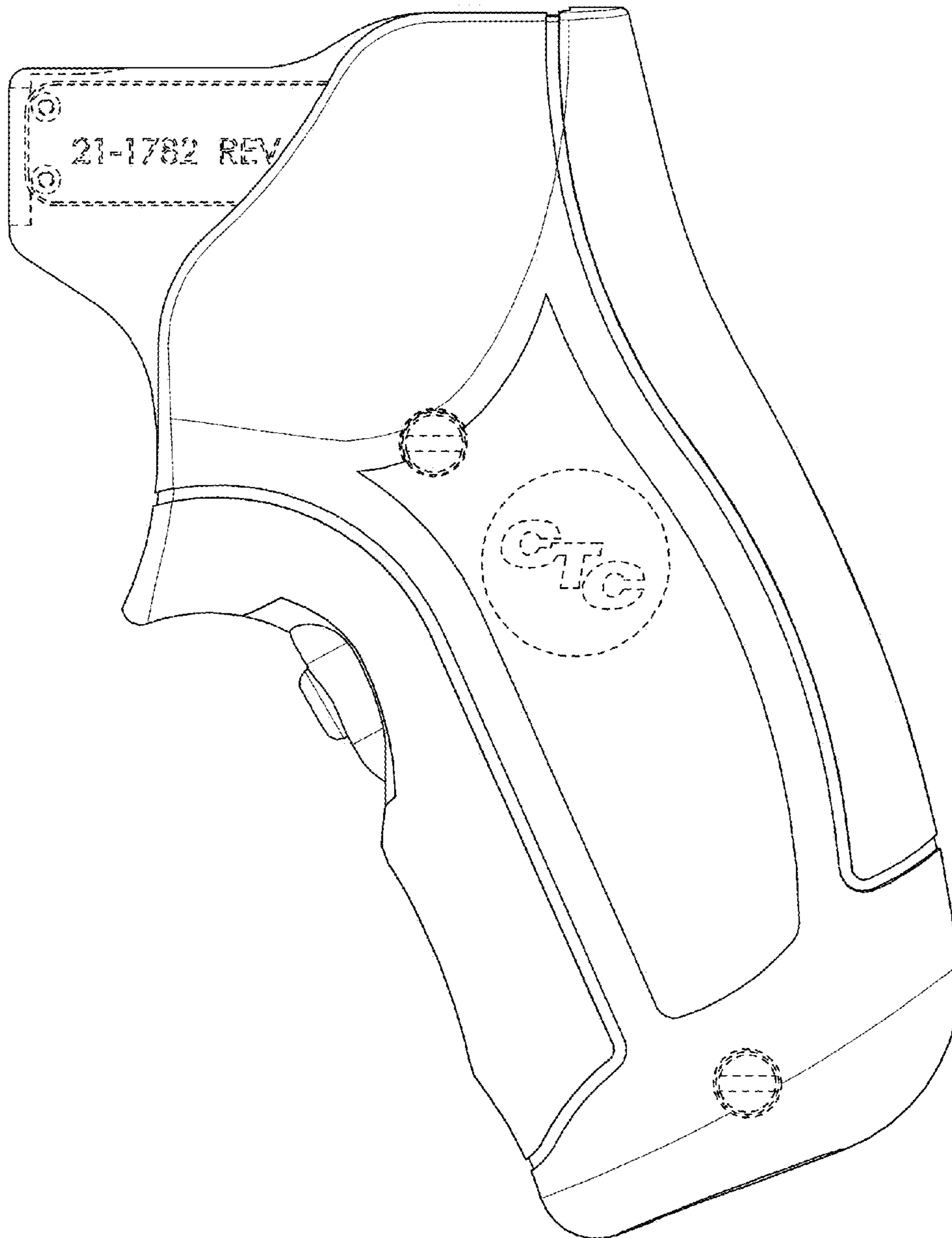


FIG. 5

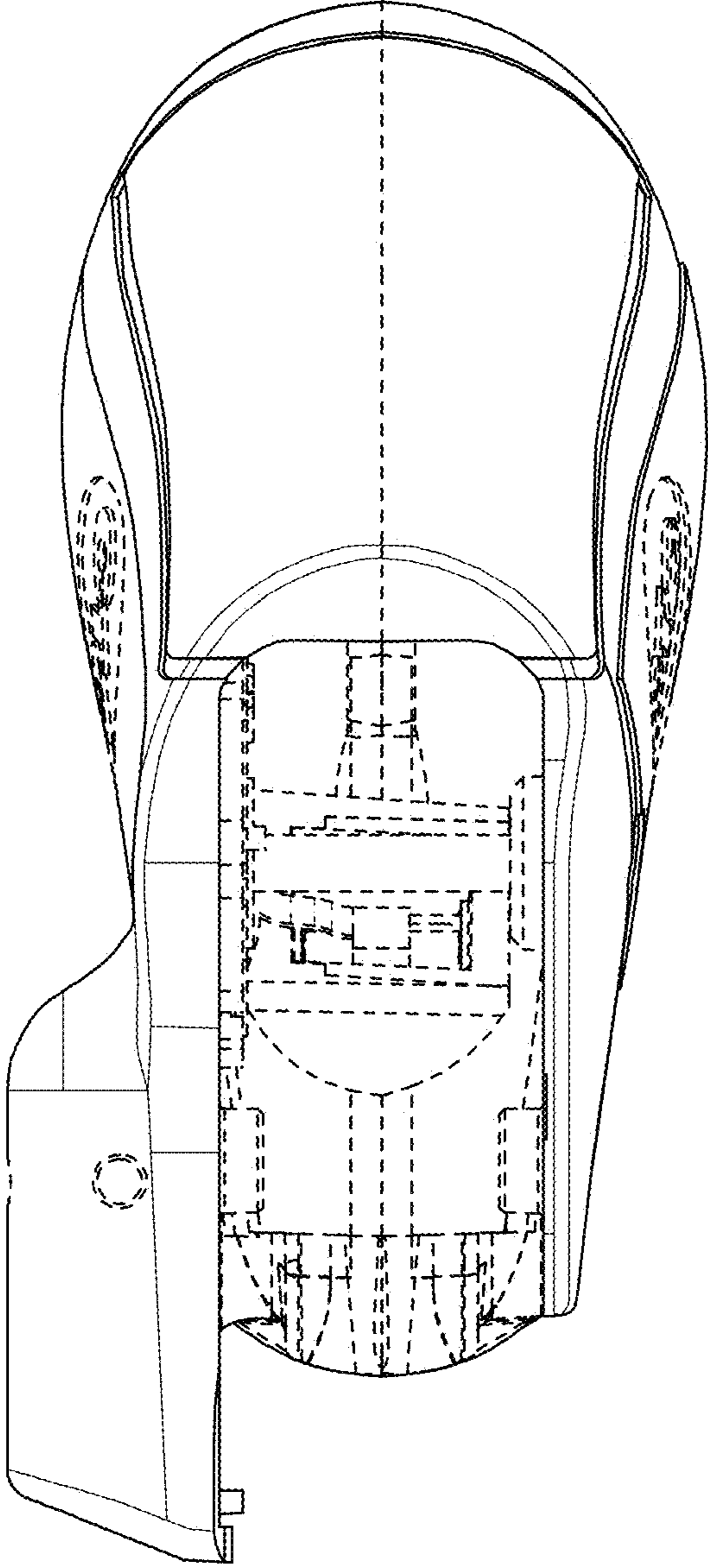


FIG. 6

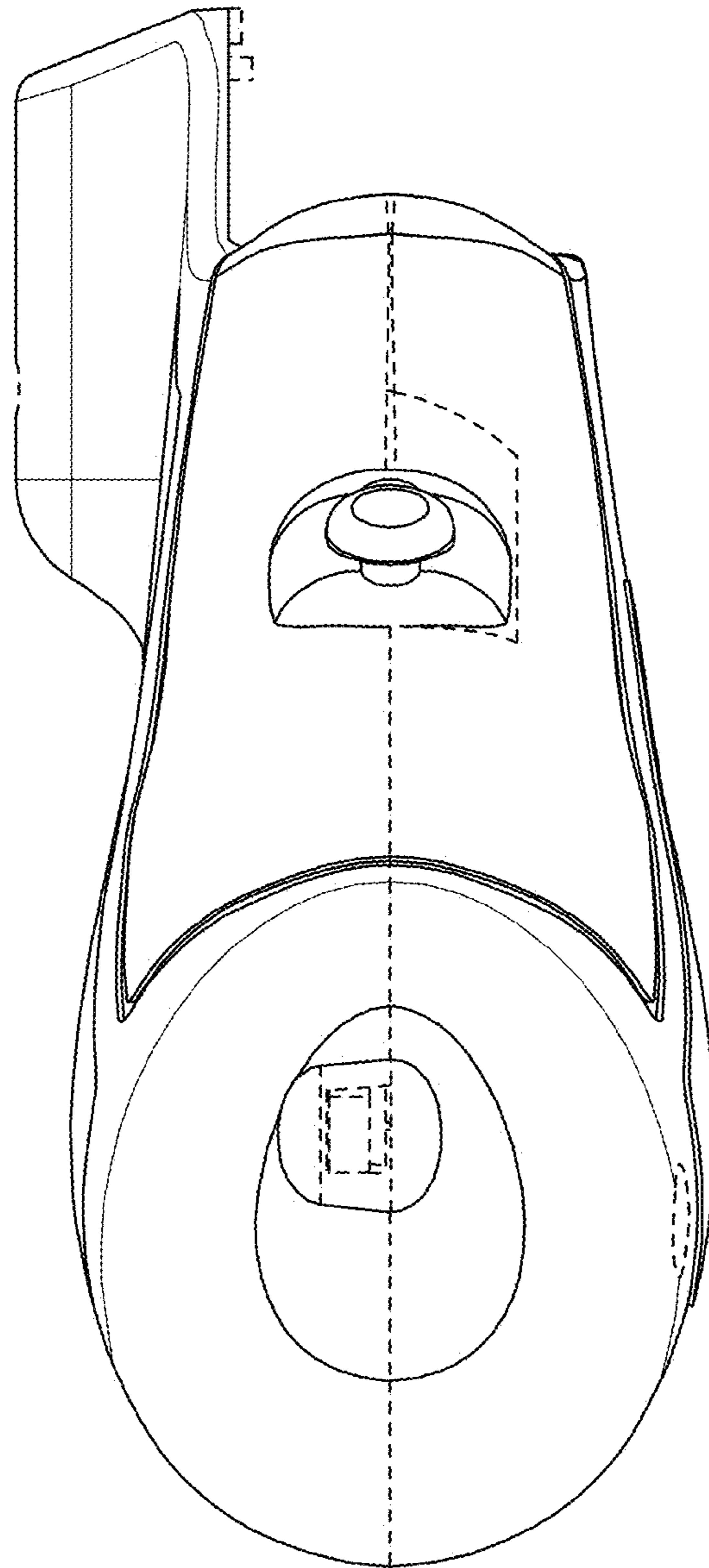


FIG. 7