



US00D738985S

(12) **United States Design Patent**
Montes

(10) **Patent No.:** **US D738,985 S**
(45) **Date of Patent:** **** Sep. 15, 2015**

(54) **RECEIVER EXTENSION TUBE FOR A FIREARM**

(71) Applicant: **Phase 5 Weapon Systems Inc.,**
Roseville, CA (US)

(72) Inventor: **Kenneth Montes,** Roseville, CA (US)

(73) Assignee: **Phase 5 Weapon Systems, Inc.,**
Roseville, CA (US)

(**) Term: **14 Years**

(21) Appl. No.: **29/490,451**

(22) Filed: **May 9, 2014**

(51) **LOC (10) Cl.** **22-01**

(52) **U.S. Cl.**
USPC **D22/108**

(58) **Field of Classification Search**
USPC D22/103, 108; 42/571-572; 89/51,
89/71.01, 75.01, 75.02, 90, 94, 134, 136,
89/139, 125, 72, 111, 40.06, 41.19, 37.04,
89/33.04, 191.01, 200-204; 124/67, 66,
124/72, 74
CPC F41C 7/00; F41C 7/11; F41C 7/12;
F41A 3/00

See application file for complete search history.

(56) **References Cited**

U.S. PATENT DOCUMENTS

7,398,616	B1 *	7/2008	Weir	42/73
8,430,015	B2 *	4/2013	Faifer	89/44.01
8,468,729	B1 *	6/2013	Sylvester	42/1.06
D717,906	S *	11/2014	Montes	D22/108
2010/0050492	A1 *	3/2010	Faifer	42/1.06
2010/0287808	A1 *	11/2010	King	42/85

2013/0305579	A1 *	11/2013	Ward et al.	42/71.01
2014/0075814	A1 *	3/2014	Larson et al.	42/72
2014/0165439	A1 *	6/2014	Fernandez et al.	42/6
2014/0305019	A1 *	10/2014	King, Jr.	42/71.01

OTHER PUBLICATIONS

Montes, U.S. Appl. No. 29/490,438, filed May 9, 2014.
Montes, U.S. Appl. No. 29/490,475, filed May 9, 2014.
Montes, U.S. Appl. No. 29/467,253, filed Sep. 17, 2013.
Montes, U.S. Appl. No. 61/878,955, filed Sep. 17, 2013.

* cited by examiner

Primary Examiner — Michael A Pratt

(74) *Attorney, Agent, or Firm* — Law Office of Andrei D Popovici, PC

(57) **CLAIM**

What is claimed is the ornamental design for a receiver extension tube for a firearm, as shown.

DESCRIPTION

FIG. 1 shows an isometric view of a receiver extension tube for a firearm.

FIG. 2 shows a bottom plan view of a receiver extension tube for a firearm.

FIG. 3 shows a top plan view of a receiver extension tube for a firearm.

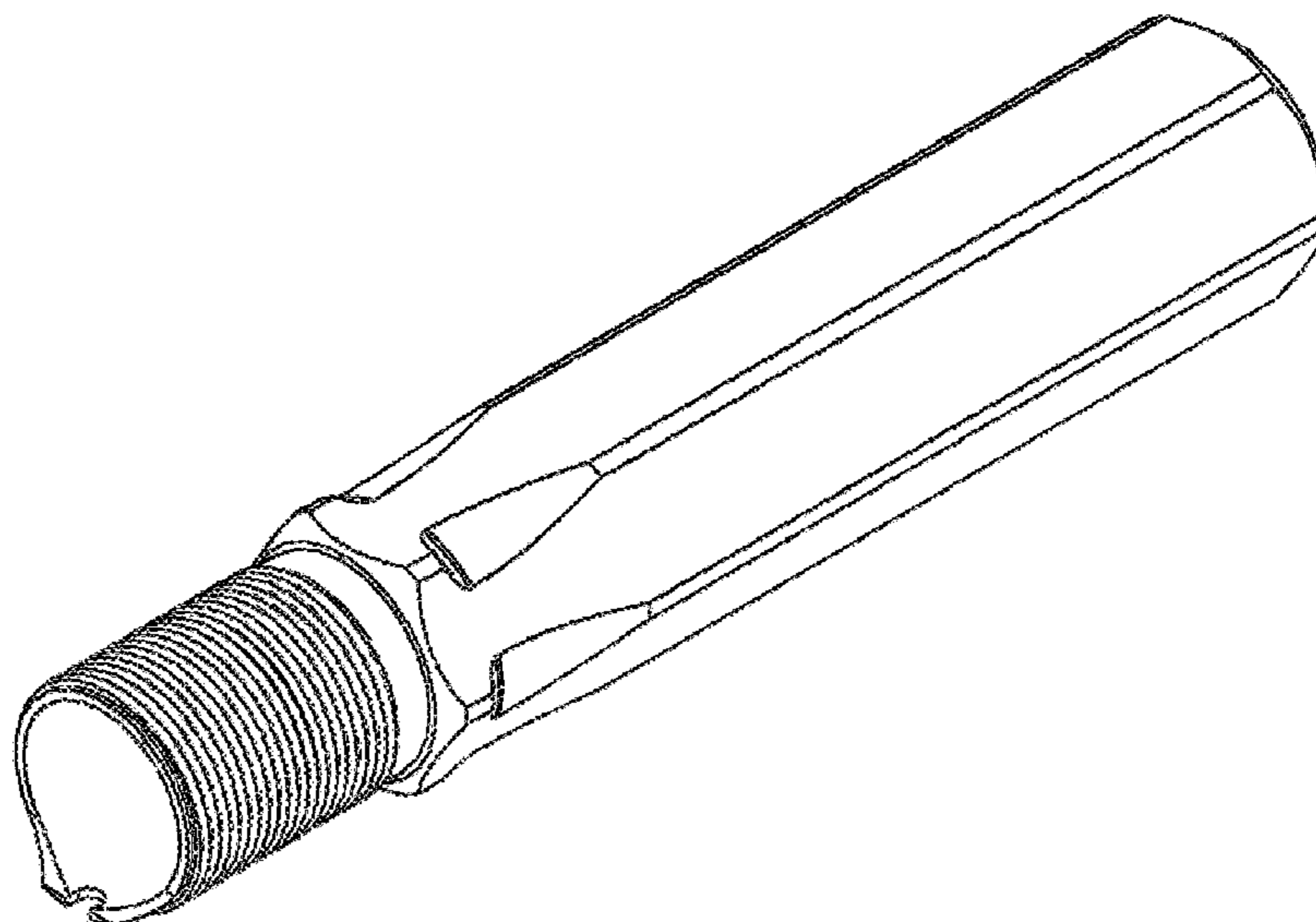
FIG. 4 shows a rear plan view of a receiver extension tube for a firearm.

FIG. 5 shows a front plan view of a receiver extension tube for a firearm.

FIG. 6 shows a left side plan view of a receiver extension tube for a firearm; and,

FIG. 7 shows a right side plan view of a receiver extension tube for a firearm.

1 Claim, 4 Drawing Sheets



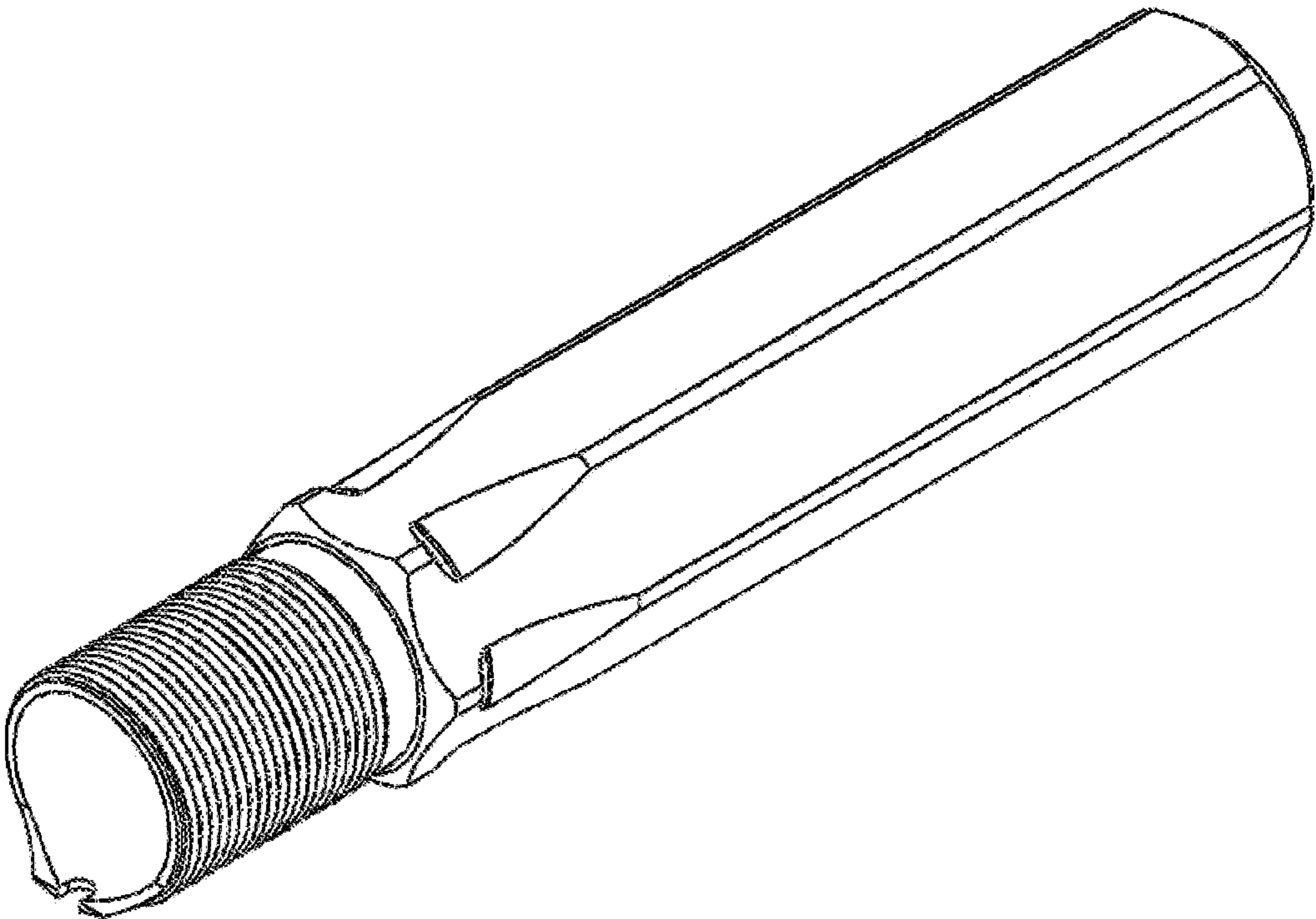


FIG. 1

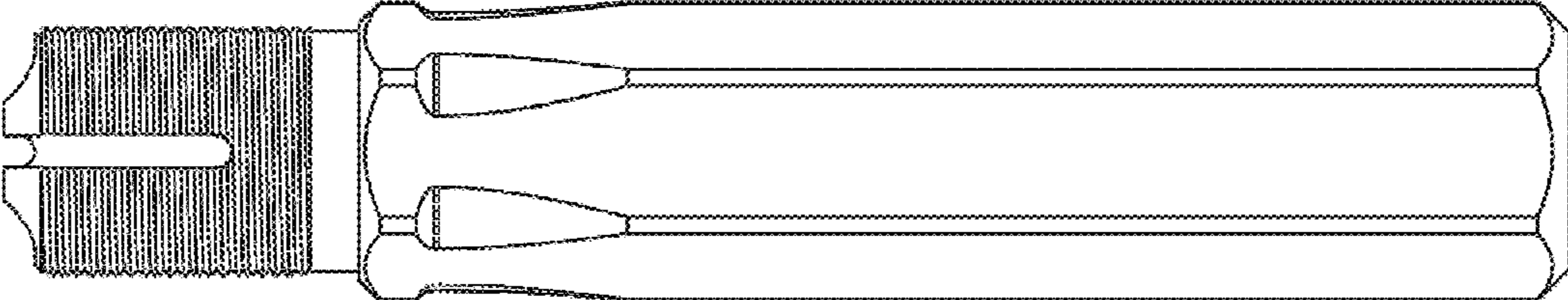


FIG. 2

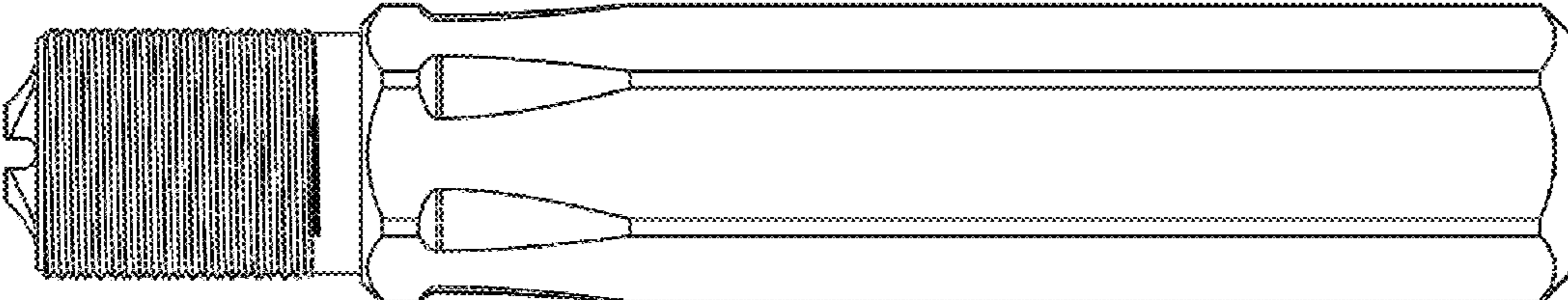


FIG. 3

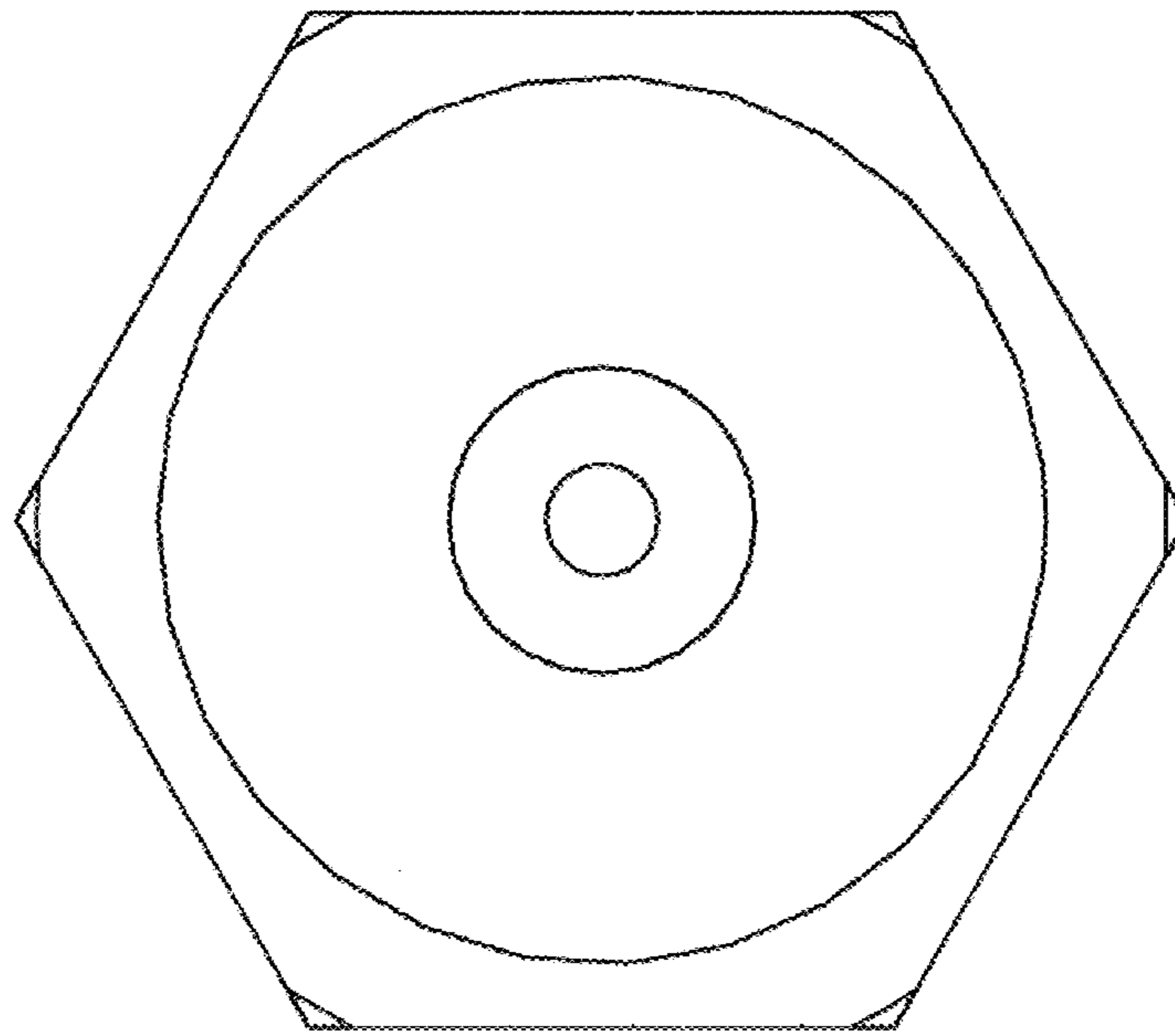


FIG. 4

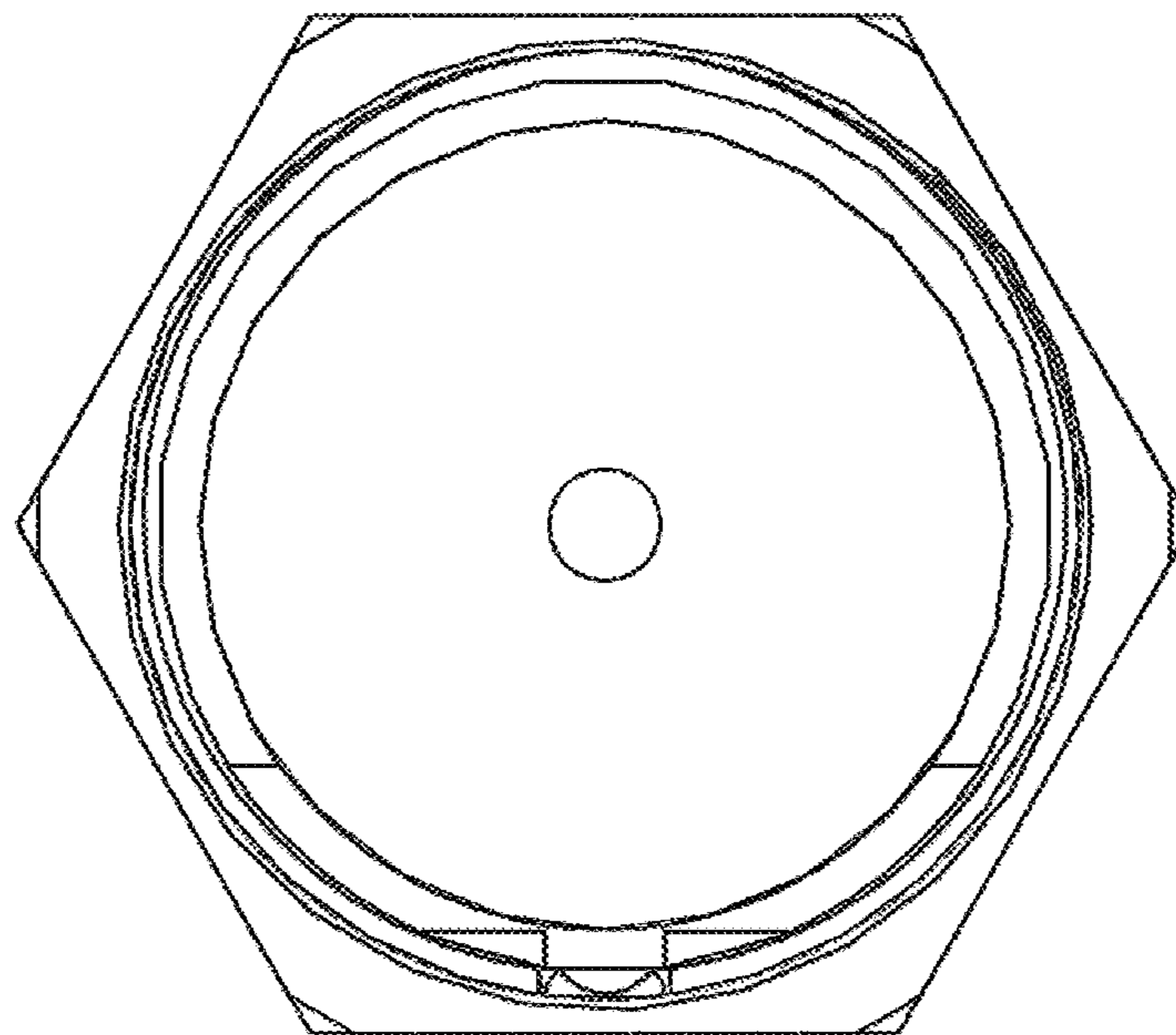


FIG. 5

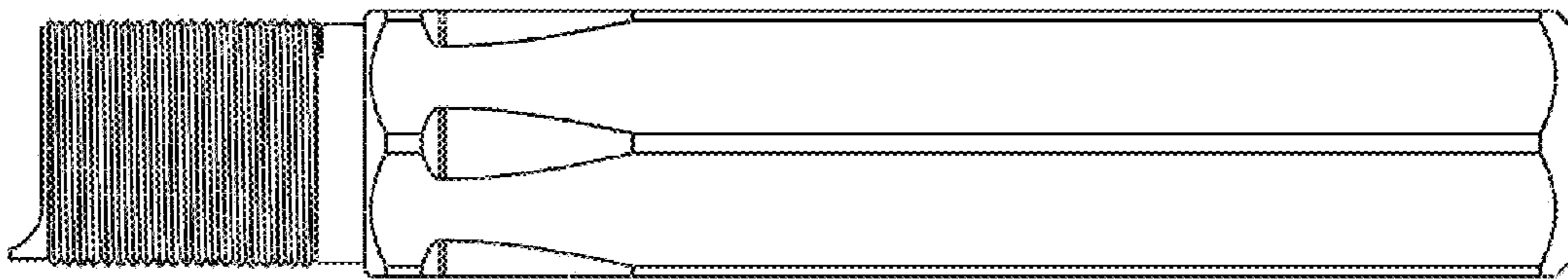


FIG. 6

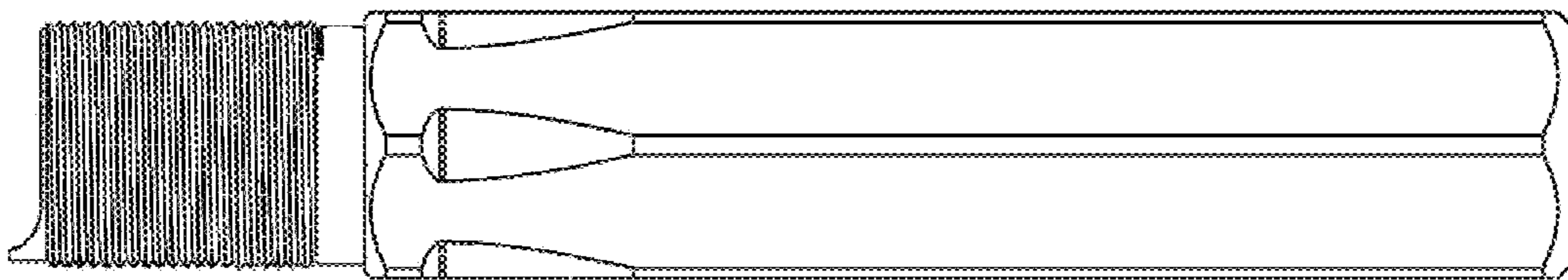


FIG. 7