



US00D738984S

(12) **United States Design Patent**  
**Mayberry et al.**

(10) **Patent No.:** **US D738,984 S**  
(45) **Date of Patent:** **\*\* Sep. 15, 2015**

(54) **ARMORER BLOCK**

(71) Applicant: **Magpul Industries Corporation**, Erie, CO (US)

(72) Inventors: **Michael T. Mayberry**, Denver, CO (US); **William B. Bennett**, Lafayette, CO (US); **Duane Liptak**, Erie, CO (US)

(73) Assignee: **Magpul Industries Corporation**, Louisville, CO (US)

(\*\*) Term: **14 Years**

(21) Appl. No.: **29/488,052**

(22) Filed: **Apr. 15, 2014**

(51) **LOC (10) Cl.** ..... **22-01**

(52) **U.S. Cl.**  
USPC ..... **D22/108**

(58) **Field of Classification Search**  
USPC ..... D22/108-110; D8/14-16, 51, 71-72, D8/80, 83, 88, 89; 81/3.05; 269/249-251; 33/233, 252, 613; 15/104.16, 104.165; 49/94, 100, 249

CPC ..... F41A 31/00; F41A 23/18  
See application file for complete search history.

(56) **References Cited**

**U.S. PATENT DOCUMENTS**

8,590,203	B1 *	11/2013	McCarthy et al.	42/96
8,931,201	B2 *	1/2015	Gianladis et al.	42/94
2010/0281748	A1 *	11/2010	Parry et al.	42/96
2014/0165439	A1 *	6/2014	Fernandez et al.	42/6

**OTHER PUBLICATIONS**

Advanced\_American\_Arms\_AR15\_M16\_Magazine\_Adapter  
Advanced American Arms AR-15/M16 9MM Magazine Adapter  
Block; Website [Online] Available Website: <http://>

[advancedamericanarms.com/ar15m16-magazine-adapter-block-p-38769.html](http://advancedamericanarms.com/ar15m16-magazine-adapter-block-p-38769.html); Last Update: unknown; Accessed on: Oct. 21, 2014.

(Continued)

*Primary Examiner* — Michael A Pratt

(74) *Attorney, Agent, or Firm* — Swanson & Bratschun, L.L.C.

(57) **CLAIM**

The ornamental design for an armorer block, as shown and described.

**DESCRIPTION**

FIG. 1 is a perspective view of a first embodiment of an armorer block showing our new design in operative association with a magazine receiver of a lower grip housing and a firearm upper receiver, both of which are shown in broken lines;

FIG. 2 is a front, top left perspective view of the armorer block of FIG. 1;

FIG. 3 is a rear, top, right perspective view of the armorer block of FIG. 1;

FIG. 4 is a front elevation view of the armorer block of FIG. 1;

FIG. 5 is a right side elevation view of the armorer block of FIG. 1;

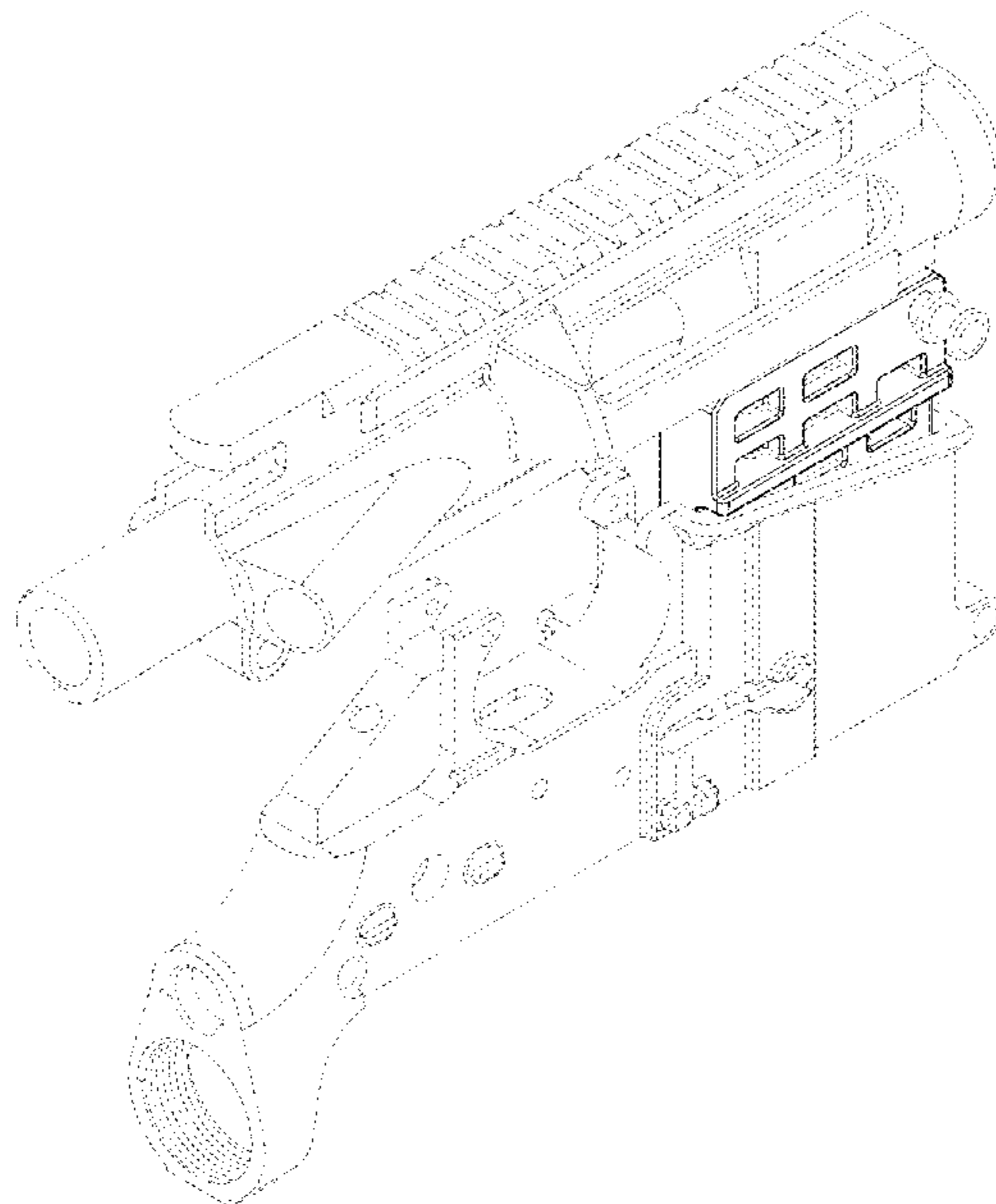
FIG. 6 is a rear elevation view of the armorer block of FIG. 1;

FIG. 7 is a left side elevation view of the armorer block of FIG. 1;

FIG. 8 is a top plan view of the armorer block of FIG. 1; and, FIG. 9 is a bottom plan view of the armorer block of FIG. 1.

The broken lines showing portions of the design in all figures are included for the purpose of illustrating environment and unclaimed features and forms not part of the claimed design.

**1 Claim, 6 Drawing Sheets**



(56)

**References Cited**

## OTHER PUBLICATIONS

American Spirit Arms 2013 9mm Magazine Block Adapter American Spirit Arms (Jul. 23, 2013) 9mm Magazine Block Adapter; Website [Online] Available Website: <http://www.americanspiritarms.com/lower-parts/9mm-magazine-block-adapter/>; Last Update: Aug. 29, 2014; Accessed on: Oct. 27, 2014.

Battenfeld 2014 AR Armorers Vise Battenfeld Technologies Inc. (Jul. 17, 2014) AR Armorers Vise; Website [Online] Available Website: <http://www.btibrands.com/product/ar-armorers-vise/>; Last Update: Unknown; Accessed on: Oct. 28, 2014.

Battenfeld 2014 Delta Series AR-15 Upper Vise Block Clamp Battenfeld Technologies Inc. (Jul. 2, 2014) Delta Series AR-15 Upper Vise Block Clamp; Website [Online] Available Website: <http://www.btibrands.com/product/delta-series-ar-15-upper-vise-block-clamp/>; Last Update: Unknown; Accessed on: Oct. 28, 2014.

Battenfeld Delta Series AR-15 Mag Well Vise Block Battenfeld Technologies Inc. Delta Series AR-15 Mag Well Vise Block; Website [Online] Available Website: <http://www.btibrands.com/product/delta-series-ar-15-mag-well-vise-block/>; Last Update: Unknown; Accessed on: Oct. 28, 2014.

Battenfeld 2014 Delta Series LR 308 Mag Well Vise Block Battenfeld Technologies Inc. (Jul. 18, 2014) Delta Series LR 308 Mag Well Vise Block; Website [Online] Available Website: <http://www.btibrands.com/product/delta-series-lr-308-mag-well-vise-block/>; Last Update: Unknown; Accessed on: Oct. 28, 2014.

Brownells 2012 AR-15 M16 9MM Conversion Block Magazine Brownells (Nov. 8, 2012) AR-15/M16 9MM Conversion Block & Magazine; Website [Online] Available Website: <http://www.brownells.com/rifle-parts/bolt-parts/caliber-conversion-kits/ar-15-m16-9mm-conversion-block-magazine-prod44334.aspx>; Last Update: Oct. 5, 2013; Accessed on: Oct. 27, 2014.

Brownells 2013 AR-15 M16 308-AR Barrel Extension Torque Tools Brownells (Apr. 13, 2013) AR-15/M16/308-AR Barrel Extension Torque Tools; Website [Online] Available Website: <http://www.brownells.com/gunsmith-tools-supplies/rifle-tools/barrel-tools/ar-15-m16-308-ar-barrel-extension-torque-tools-prod27452.aspx>; Last Update: Aug. 31, 2014; Accessed on: Nov. 10, 2014.

DPMS Panther Arms 2012 223 5-56 Panther Receiver Claw DPMS Panther Arms (Aug. 25, 2012) 223/5.56 Panther™ Receiver Claw; Website [Online] Available Website: [http://www.dpmsinc.com/223556-Panthertrade-Receiver-Claw\\_p\\_1120.html](http://www.dpmsinc.com/223556-Panthertrade-Receiver-Claw_p_1120.html); Last Update: Jun. 19, 2013; Accessed on: Oct. 27, 2014.

DPMS Panther Arms 2012 308 Lower Receiver Vise Block DPMS Panther Arms (Aug. 25, 2012) .308 Lower Receiver Vise Block; Website [Online] Available Website: [http://www.dpmsinc.com/308-Lower-Receiver-Vise-Block\\_p\\_1110.html](http://www.dpmsinc.com/308-Lower-Receiver-Vise-Block_p_1110.html); Last Update: Jun. 18, 2013; Accessed on: Oct. 27, 2014.

DPMS Panther Arms 2012 GII 308 Receiver CLAW DPMS Panther Arms GII 308 Receiver CLAW; Website [Online] Available Website: [http://www.dpmsinc.com/GII-308-Receiver-CLAW\\_p\\_2509.html](http://www.dpmsinc.com/GII-308-Receiver-CLAW_p_2509.html); Last Update: Unknown; Accessed on: Oct. 27, 2014.

DPMS Panther Arms 2012 Panther Claws for 308 Rifles DPMS Panther Arms (Aug. 16, 2012) Panther Claws for 308 Rifles; Website [Online] Available Website: [http://www.dpmsinc.com/Panther-Claws-For-308-Rifles\\_p\\_1119.html](http://www.dpmsinc.com/Panther-Claws-For-308-Rifles_p_1119.html); Last Update: Jun. 18, 2013; Accessed on: Oct. 27, 2014.

DPMS Panther Arms 2012 The Flipper DPMS Panther Arms (Aug. 25, 2012) The Flipper; Website [Online] Available Website: [http://www.dpmsinc.com/The-Flipper\\_p\\_1111.html](http://www.dpmsinc.com/The-Flipper_p_1111.html); Last Update: Jun. 20, 2013; Accessed on: Oct. 27, 2014.

Pro Mag Industries 2014 PM123 Lower Receiver Vise Block Kit Pro Mag Industries (Feb. 15, 2014) PM123—AR-15/M16 Lower Receiver Vise Block; Website [Online] Available Website: <https://promagindustries.com/tools-for-firearms/457-ar-15m-16-lower-receiver-vise-block-.html>; Last Update: Jul. 5, 2014; Accessed on: Oct. 28, 2014.

Pro Mag Industries 2014 PM123A AR-15 M16 Upper Lower Receiver Vise Block Kit Pro Mag Industries (Feb. 13, 2014) PM123A—AR-15/M16 Upper & Lower Receiver Vise Block Kit; Website [Online] Available Website: <https://promagindustries.com/tools-for-firearms/456-ar-15m16-upper-lower-receiver-vise-block-kit.html>; Last Update: Jul. 4, 2014; Accessed on: Oct. 28, 2014.

Pro Mag Industries 2014 PM237-AR-15 M16 9mm Magazine Adaptor Block Pro Mag Industries (Feb. 15, 2014) PM237—AR-15/M16 9mm Magazine Adaptor Block; Website [Online] Available Website: <https://promagindustries.com/tools-for-firearms/458-ar-15m16-9mm-magazine-adaptor-block.html>; Last Update: Jul. 5, 2014; Accessed on: Oct. 28, 2014.

Pro Mag Industries 2014 PM245-AR10 Lower Receiver Vise Block Kit Pro Mag Industries (Feb. 15, 2014) PM245—AR10 Lower Receiver Vise Block Kit; Website [Online] Available Website: <https://promagindustries.com/tools-for-firearms/465-ar10-lower-receiver-vise-block-kit.html>; Last Update: Jul. 5, 2014; Accessed on: Oct. 28, 2014.

Sinclair International 2012 AR-15 Magazine Safety Block Sinclair International (Oct. 22, 2012) AR-15 Magazine Safety Block; Website [Online] Available Website: <http://www.sinclairintl.com/shooting-accessories/high-power-equipment/safety-flags/ar-15-magazine-safety-block-prod32943.aspx>; Last Update: Unknown; Accessed on: Oct. 27, 2014.

SlickGuns 2012 AR15 M16 Lower Receiver Magazine Vise Block SlickGuns.com (Nov. 10, 2012) AR15/M16 Lower Receiver Magazine Vise Block; Website [Online] Available Website: <http://www.slickguns.com/product/ar15-m16-lower-receiver-magazine-vise-block-made-usa-fs-1995>; Last Update: Jul. 1, 2014; Accessed on: Oct. 28, 2014.

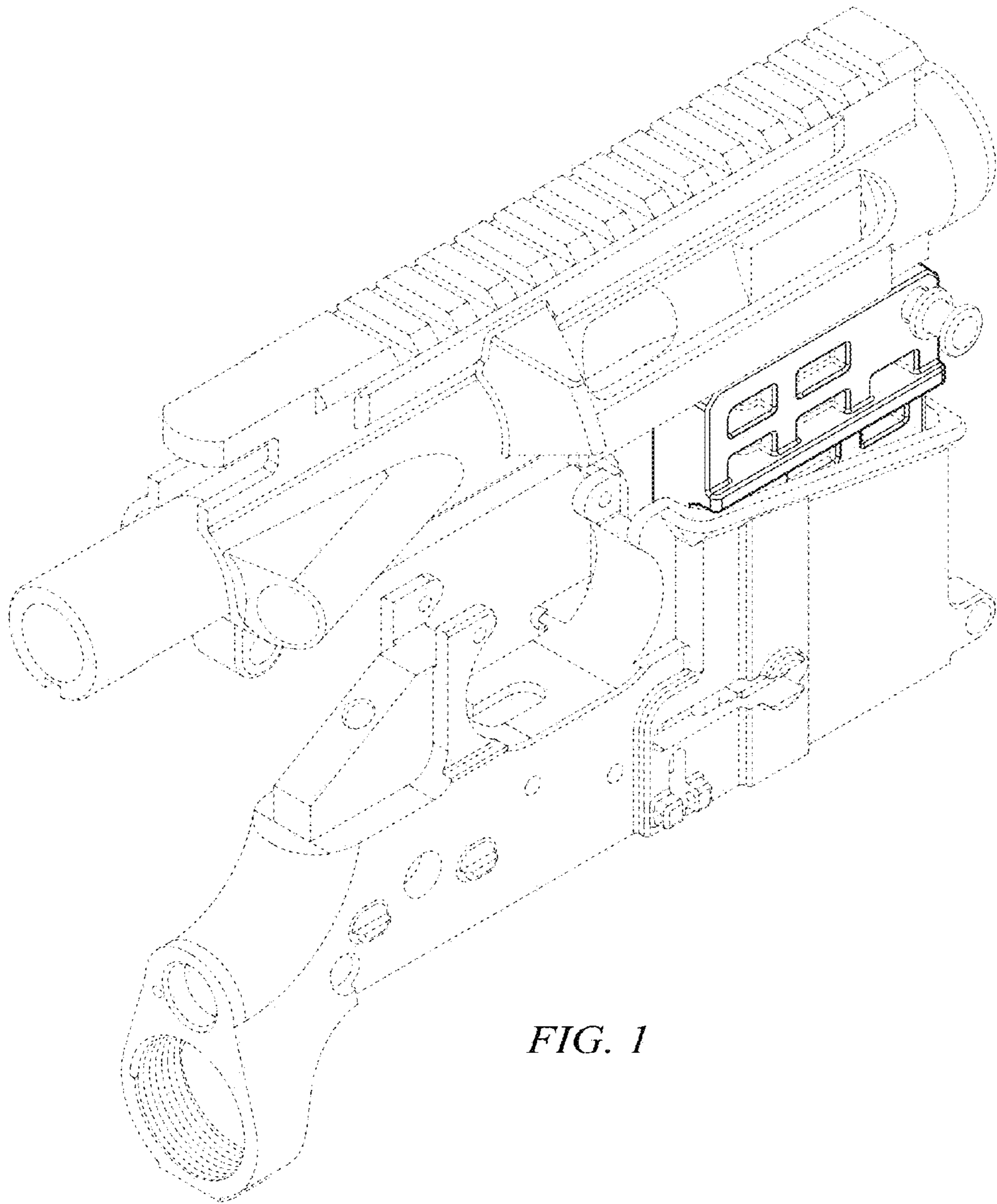
Spikes Tactical 2014 Block Worx Upper Vise Block Spike's Tactical (Jul. 1, 2014) Block Worx Upper Vise Block; Website [Online] Available Website: <http://www.spikestactical.com/tools-block-worx-upper-vise-block-p-557.html>; Last Update: Unknown; Accessed on: Sept. 24, 2014.

Spikes Tactical 2014 Lower Parts Spikes Enhanced Magwell Block Spike's Tactical (Jul. 7, 2014) Lower Parts—Spike's Enhanced Magwell Block (9mm); Website [Online] Available Website: <http://www.spikestactical.com/lower-parts-spikes-enhanced-magwell-block-9mm-p-188.html>; Last Update Unknown; Accessed on Sep. 24, 2014.

Spikes Tactical 2014 ST Billet Upper Assembly Block Spike's Tactical (Jul. 1, 2014) ST Billet Upper Assembly Block; Website [Online] Available Website: <http://www.spikestactical.com/tools-st-billet-upper-assembly-block-p-559.html>; Last Update: Unknown; Accessed on: Sep. 24, 2014.

Squirrel Daddy AR Style Aluminum Upper Lower Vise Block Combo Squirrel Daddy AR Style Aluminum Upper Lower Vise Block Combo; Website [Online] Available Website: <http://www.squirreldaddy.com/AR-Lower-Vise-Vice-Block-p/sd20-101a.htm>; Last Update: Unknown; Accessed on: Nov. 10, 2014.

\* cited by examiner



*FIG. 1*

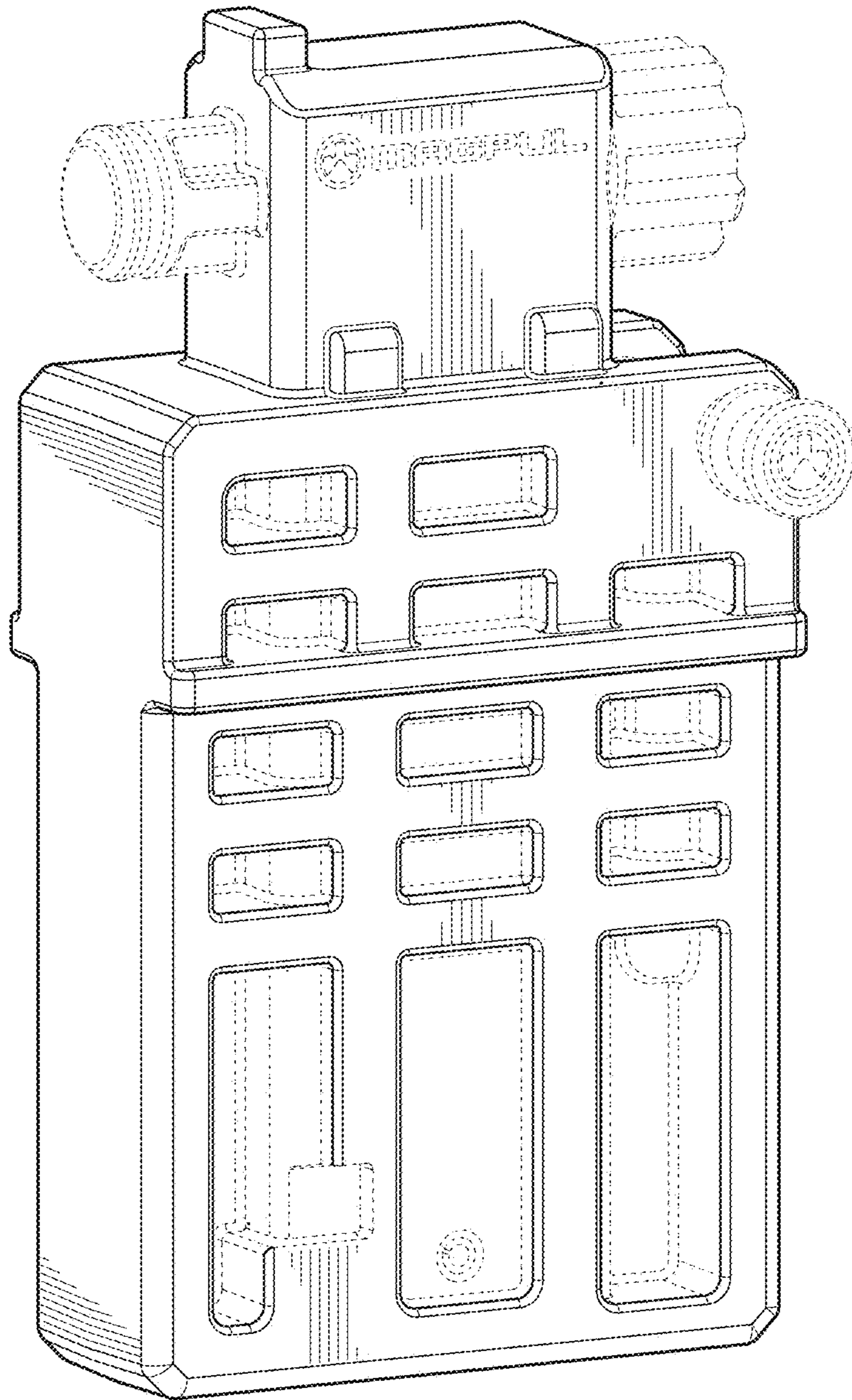


FIG. 2

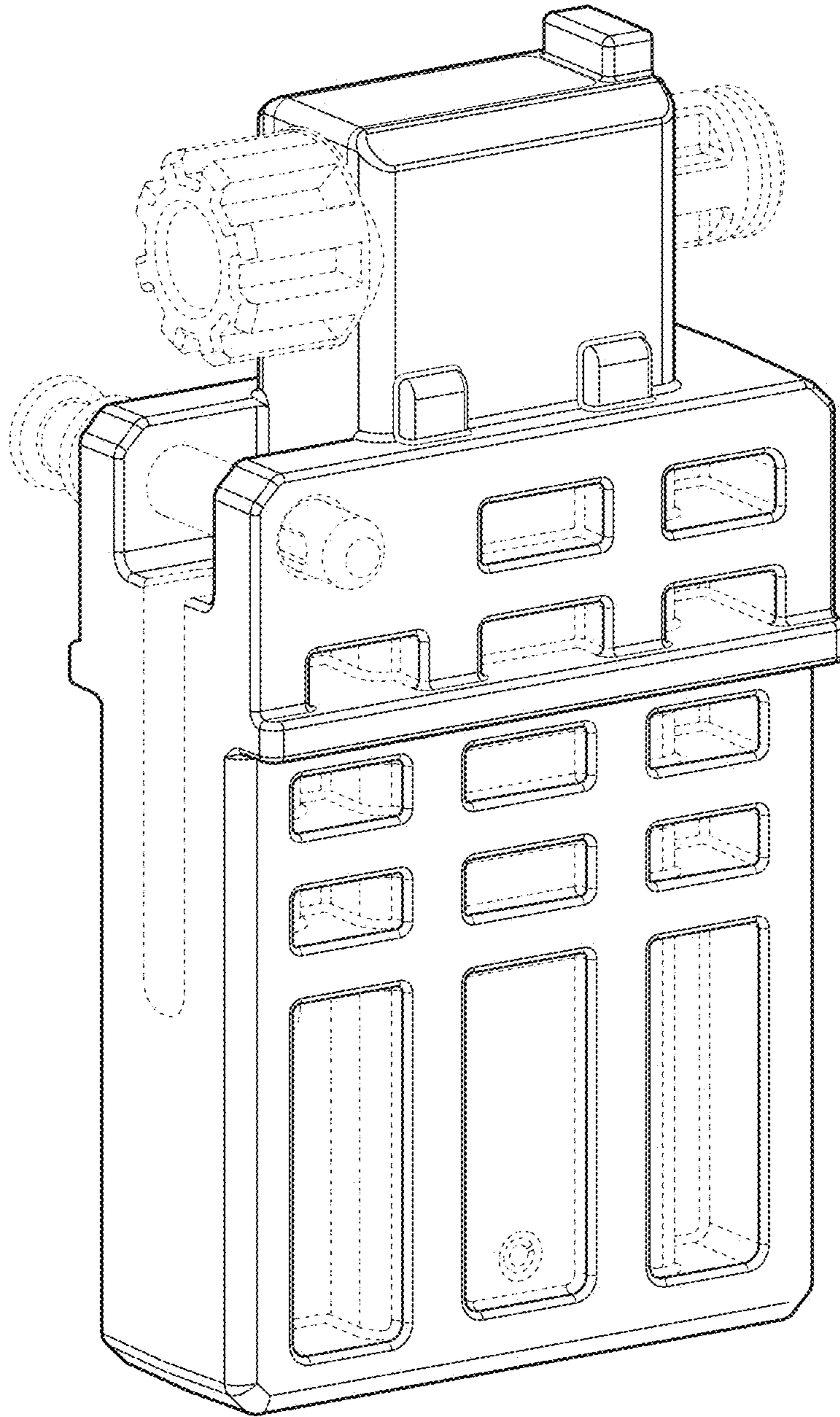


FIG. 3

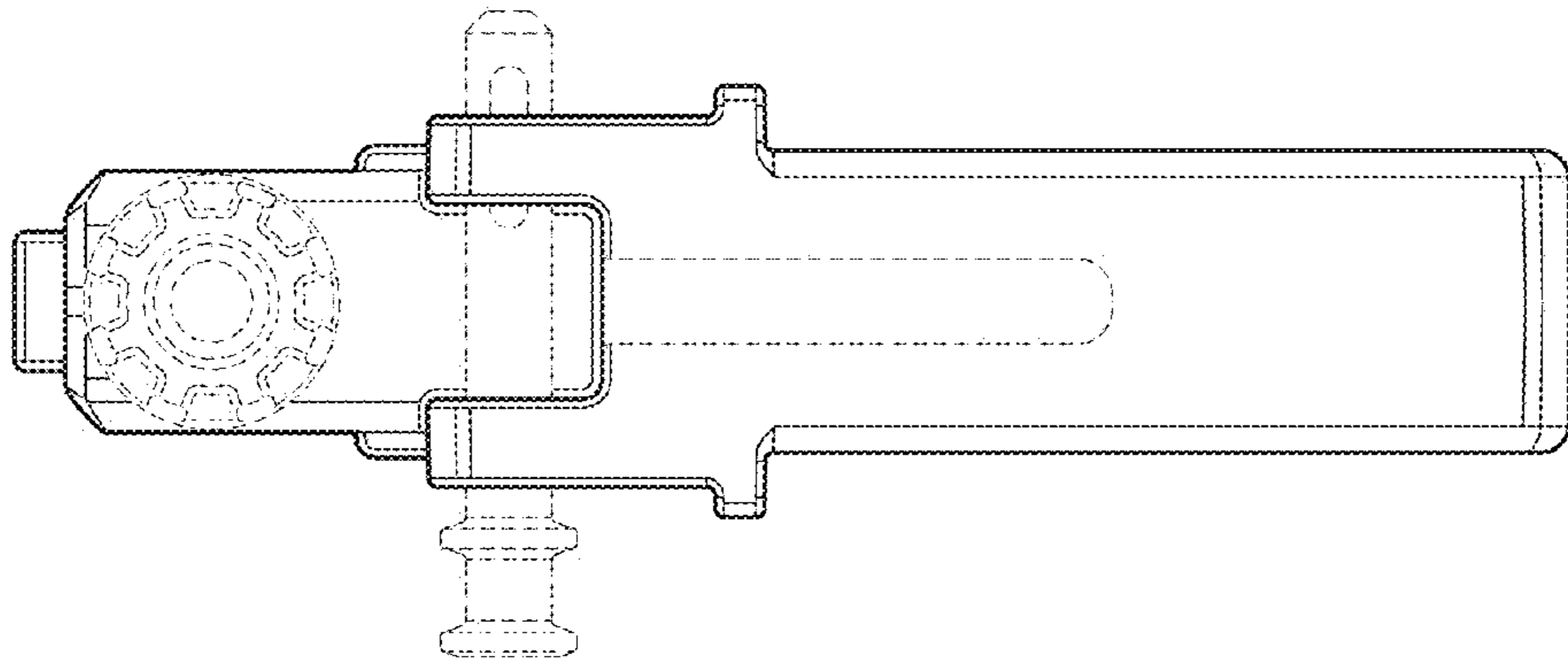


FIG. 5

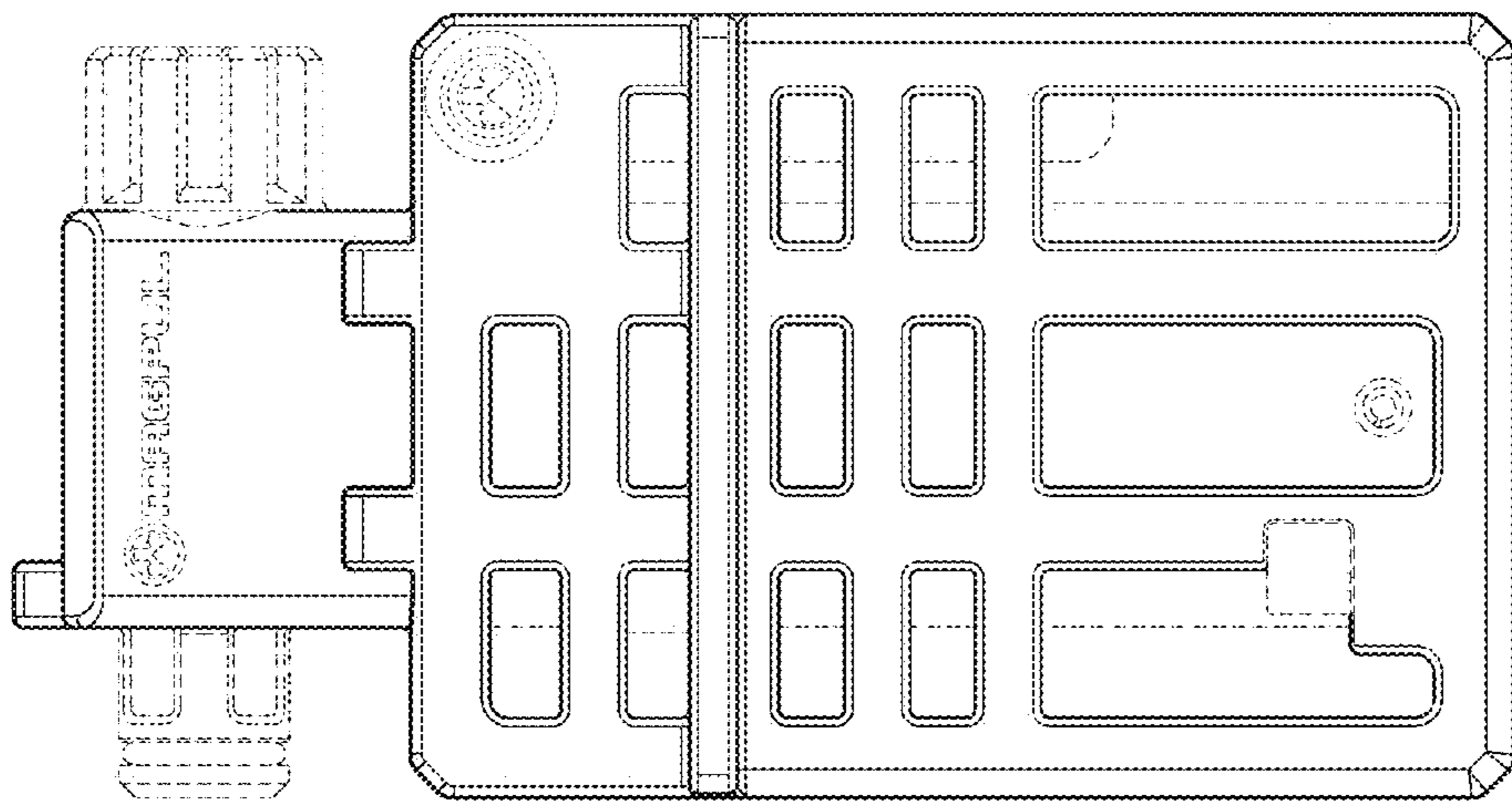


FIG. 4

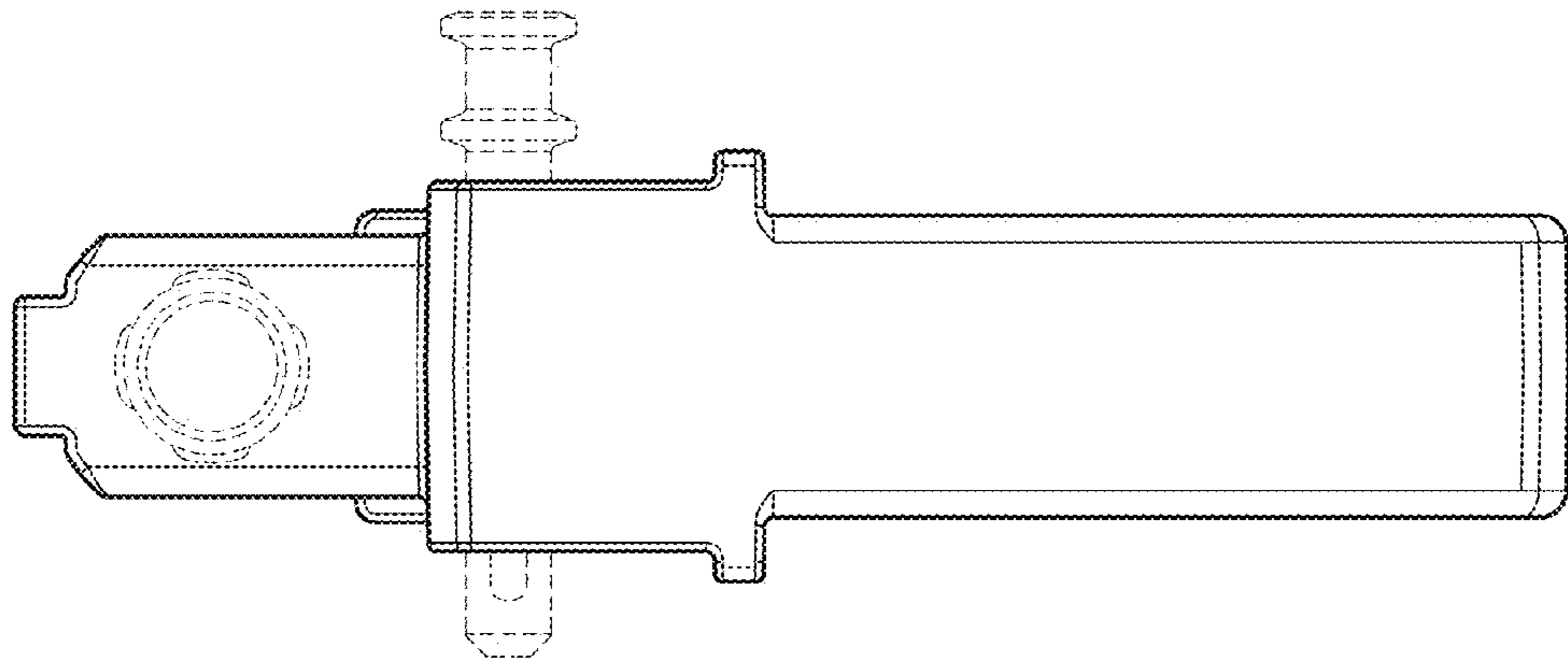


FIG. 7

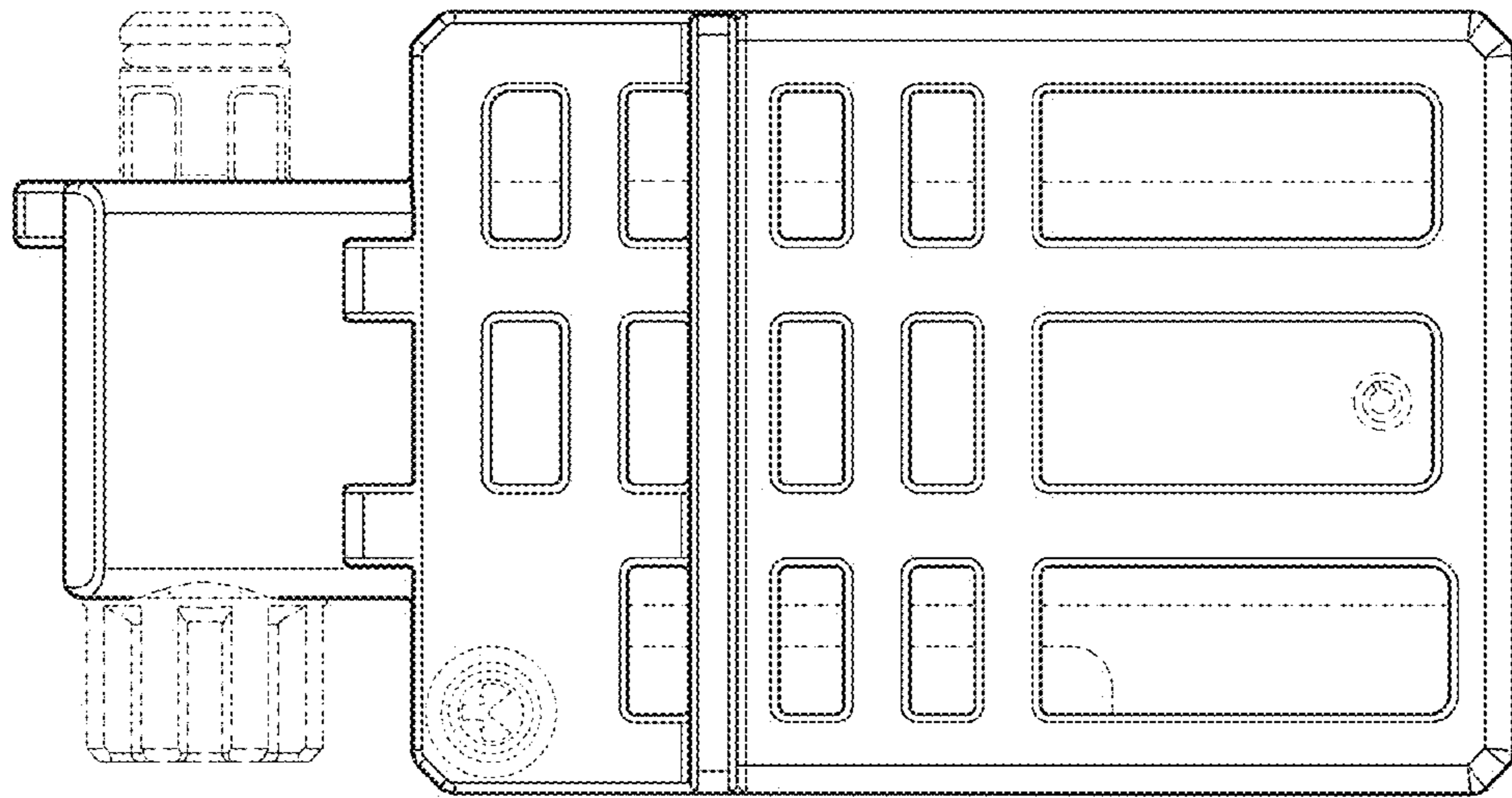


FIG. 6

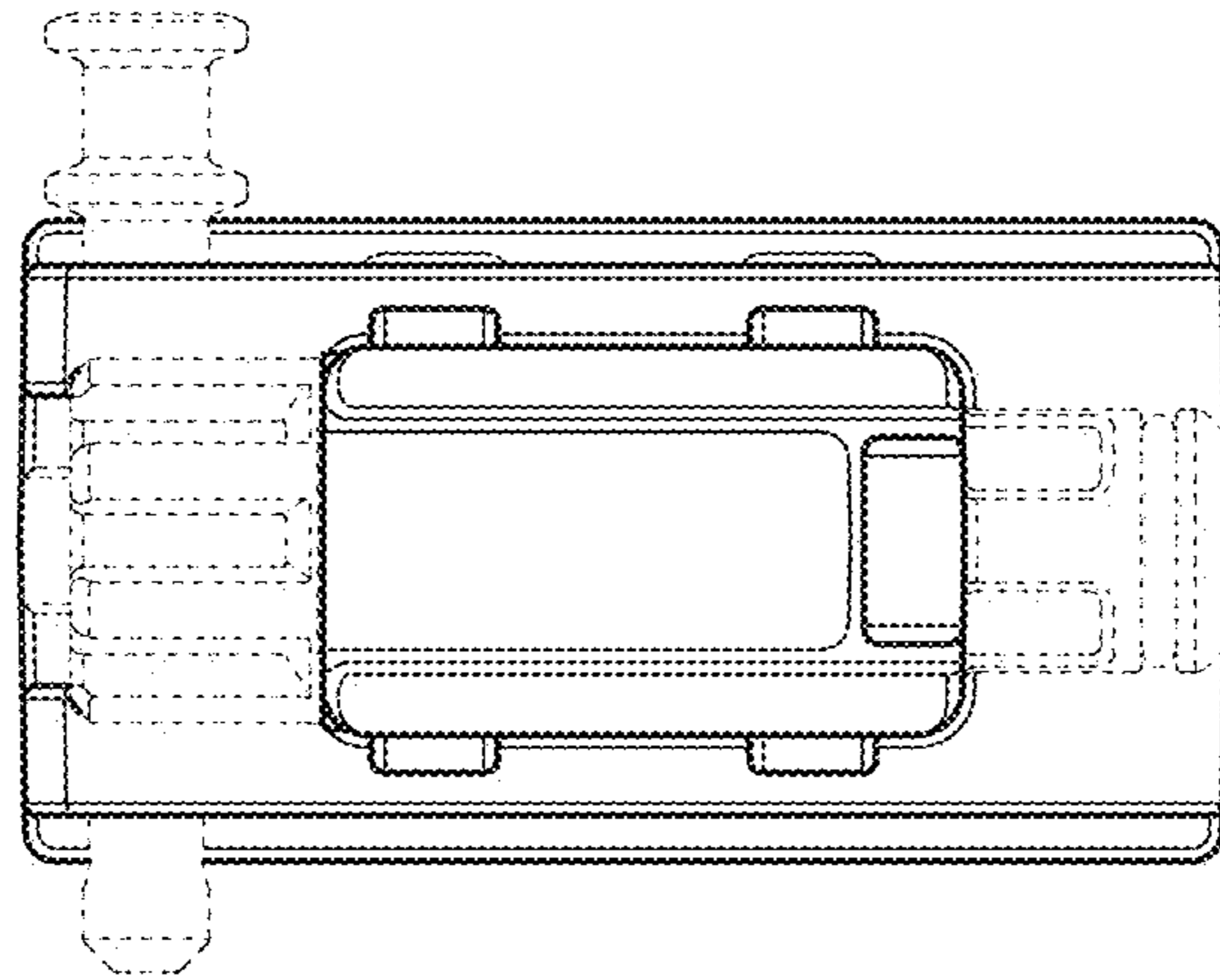


FIG. 8

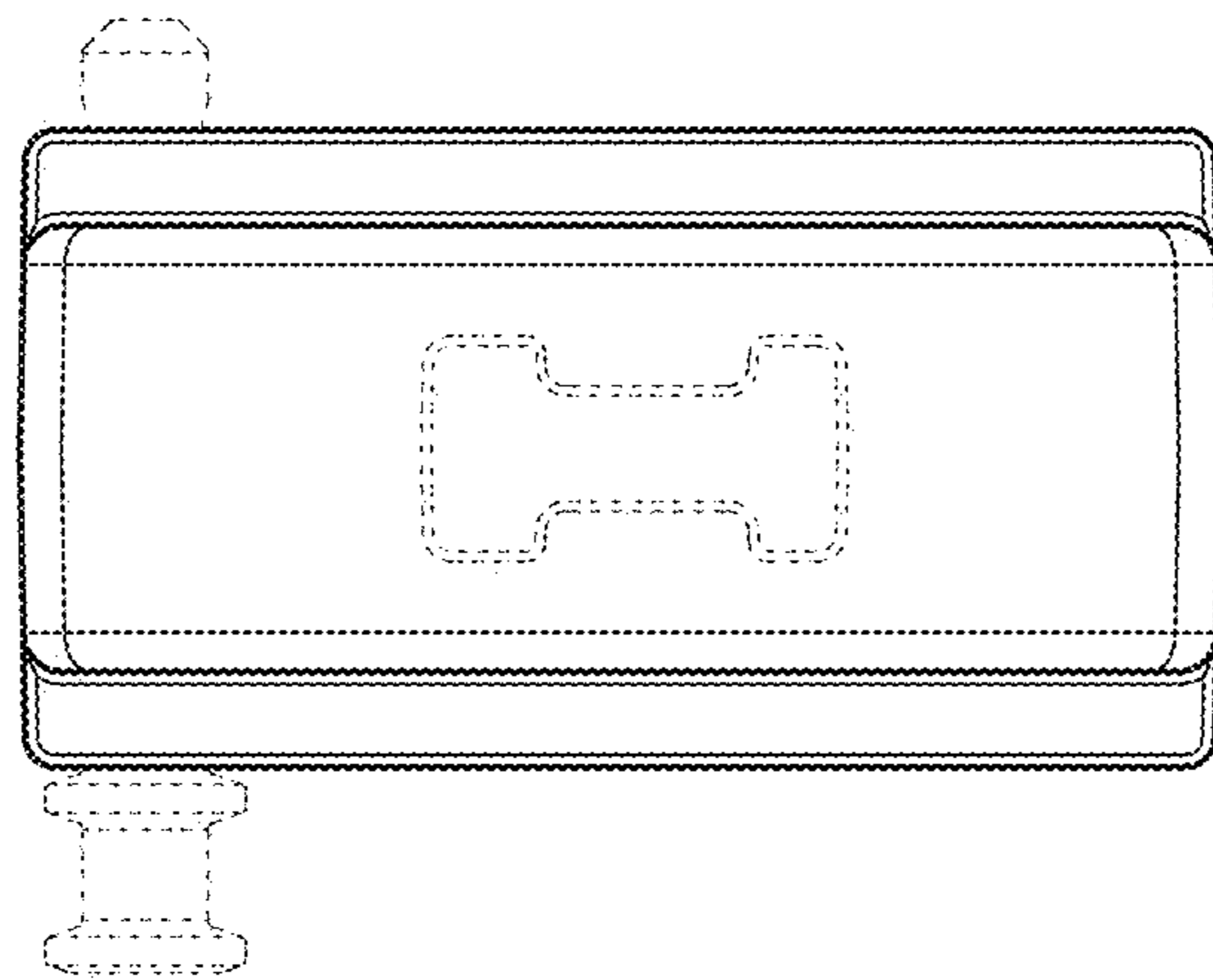


FIG. 9



UNITED STATES PATENT AND TRADEMARK OFFICE  
**CERTIFICATE OF CORRECTION**

PATENT NO. : D738,984 S  
APPLICATION NO. : 29/488052  
DATED : September 15, 2015  
INVENTOR(S) : Mayberry et al.

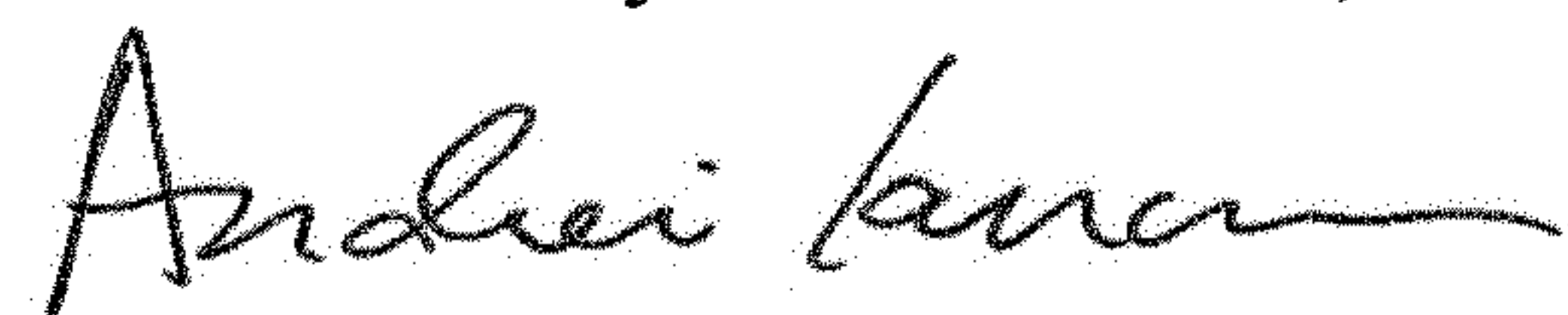
Page 1 of 1

It is certified that error appears in the above-identified patent and that said Letters Patent is hereby corrected as shown below:

On the Title Page

Item (72) Inventor is corrected to read:  
-- Michael T. Mayberry, Denver (CO);  
William B. Bennett, Lafayette (CO);  
Duane Liptak, Erie (CO);  
Jeremy M. Fiester, Lafayette (CO);  
Lance Johnston, Firestone (CO) --.

Signed and Sealed this  
Twentieth Day of November, 2018



Andrei Iancu  
*Director of the United States Patent and Trademark Office*