



US00D738983S

(12) **United States Design Patent**
Mayberry et al.

(10) **Patent No.:** **US D738,983 S**

(45) **Date of Patent:** **** Sep. 15, 2015**

(54) **ACCESSORY ATTACHMENT LOOP FOR A FIREARM**

(71) Applicant: **Magpul Industries Corporation**, Erie, CO (US)

(72) Inventors: **Michael T. Mayberry**, Denver, CO (US); **Yehezkel Eitan**, Johnstown, CO (US); **Christopher F. Miller**, Erie, CO (US)

(73) Assignee: **Magpul Industries Corporation**, Louisville, CO (US)

(**) Term: **14 Years**

(21) Appl. No.: **29/487,759**

(22) Filed: **Apr. 11, 2014**

(51) **LOC (10) Cl.** **22-01**

(52) **U.S. Cl.**
USPC **D22/108**

(58) **Field of Classification Search**

USPC D22/103, 108; D21/572-573; 42/51, 42/90, 71.01, 71.02, 73, 75.01, 75.02; 362/160; 89/40.06, 37.04, 33.04; 33/334
CPC F41C 23/00; F41C 23/02; F41C 23/04; F41C 23/06; F41C 23/08; F41C 23/10; F41C 23/12; F41C 23/14; F41C 23/16; F41C 23/18; F41C 23/20; F41C 23/22; F41C 7/02; F41C 7/04; F41C 7/06; F41C 7/11; F41C 7/12

See application file for complete search history.

(56) **References Cited**

U.S. PATENT DOCUMENTS

4,571,872 A * 2/1986 Johnson 42/85
5,848,491 A * 12/1998 Biemont 42/85
6,260,748 B1 * 7/2001 Lindsey 224/150
6,536,153 B2 * 3/2003 Lindsey 42/85

D568,957 S * 5/2008 Esch D22/108
7,762,018 B1 * 7/2010 Fitzpatrick et al. 42/73
D636,835 S * 4/2011 Fitzpatrick et al. D22/108
D683,807 S * 6/2013 Elkaim D22/108
8,516,732 B2 * 8/2013 Burnsed, Jr. 42/85

(Continued)

OTHER PUBLICATIONS

Brownells_2012_MGSS_AR15-M16_Stock_QD_Sling_Adapter Brownells (2012) MGSS AR-15 M16 Stock QD Sling Adapter; Website [Online] Available Web Site: <http://www.brownells.com/shooting-accessories/slugs-sling-swivels/tactical-sling-mounts/ar-15-m16-prs-stock-qd-sling-adapter-prod41516.aspx>; Last Update: Oct. 26, 2014; Accessed on Sep. 4, 2014.

(Continued)

Primary Examiner — Michael A Pratt

(74) *Attorney, Agent, or Firm* — Swanson & Bratschun, L.L.C.

(57) **CLAIM**

The ornamental design for an accessory attachment loop for a firearm, as shown and described.

DESCRIPTION

FIG. 1 is a front, top, left perspective view of an accessory attachment loop for a firearm attached to a firearm showing our new design;

FIG. 2 is a front, top, left view of the accessory attachment loop of FIG. 1;

FIG. 3 is a top plan view of the accessory attachment loop of FIG. 1;

FIG. 4 is a front elevation view of the accessory attachment loop of FIG. 1, the rear elevation view being a mirror image thereof;

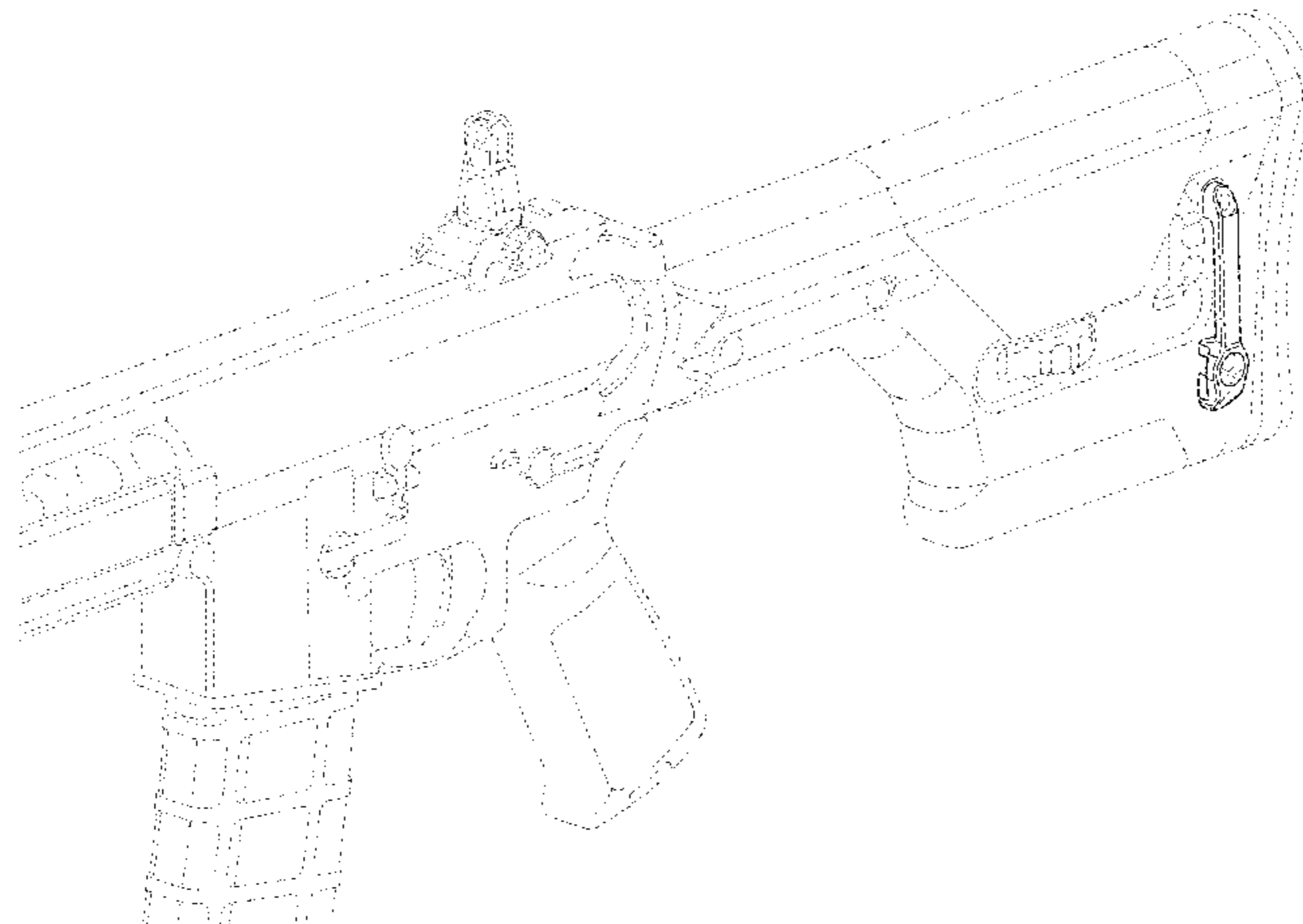
FIG. 5 is a bottom plan view of the accessory attachment loop of FIG. 1;

FIG. 6 is a left side elevation view of the accessory attachment loop of FIG. 1; and,

FIG. 7 is a right side elevation view of the accessory attachment loop of FIG. 1.

The broken lines showing portions of the design in all figures are included for the purpose of illustrating environment and unclaimed features and forms not part of the claimed design.

1 Claim, 3 Drawing Sheets



(56)

References Cited

U.S. PATENT DOCUMENTS

D697,160	S *	1/2014	Satzinger	D22/108
8,984,791	B1 *	3/2015	Leslie	42/73
2011/0239512	A1 *	10/2011	Kleven	42/85
2012/0011758	A1 *	1/2012	Burt	42/85
2014/0075815	A1 *	3/2014	Jarboe	42/73

OTHER PUBLICATIONS

Cascadia_QDSP_Mod_1_Preview_Quick_Disconnect_Sling_Plate
Cascadia Armament Design QDSP Mod 1 Preview Quick Dis-

connect Sling Plate; Website [Online] Available Web Site: <http://www.cascadiaarmamentdesign.com/Quick-Disconnect-Sling-Plate/QDSP-Model-1/>; Last Update: unknown; Accessed on Sep. 4, 2014.

Parker_Mountain_Machine_1996_PMM_Magpul_PRS-QD_Sling_Mount
Parker Mountain Machine (1996) PMM Magpul PRS QD Sling Mount; Website [Online] Available Web Site: <http://www.parkermountainmachine.com/qd-mounts/pmm-magpul-prs-quick-disconnect-sling-mount>; Last Update: unknown; Accessed on Sep. 4, 2014.

* cited by examiner

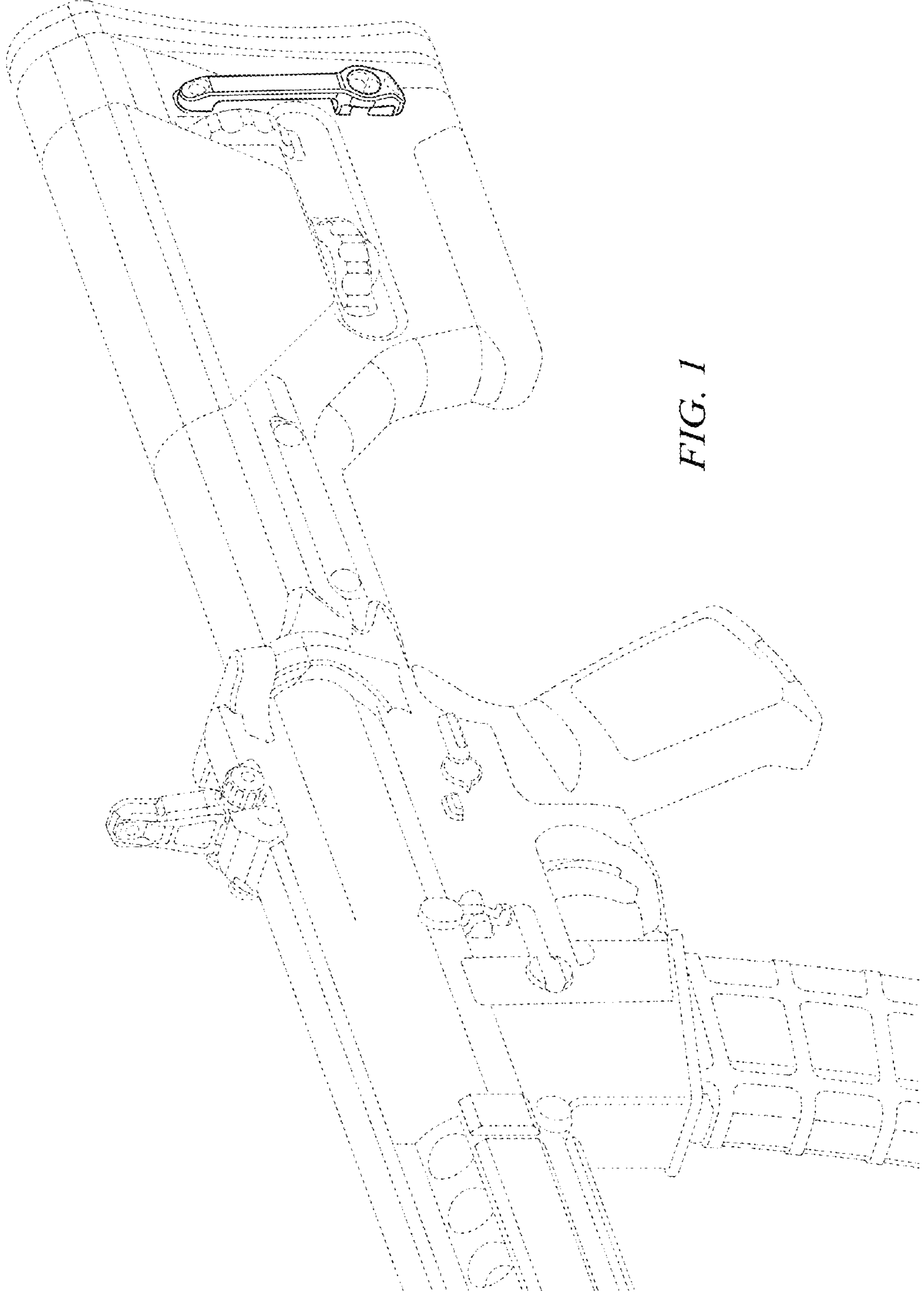


FIG. 1

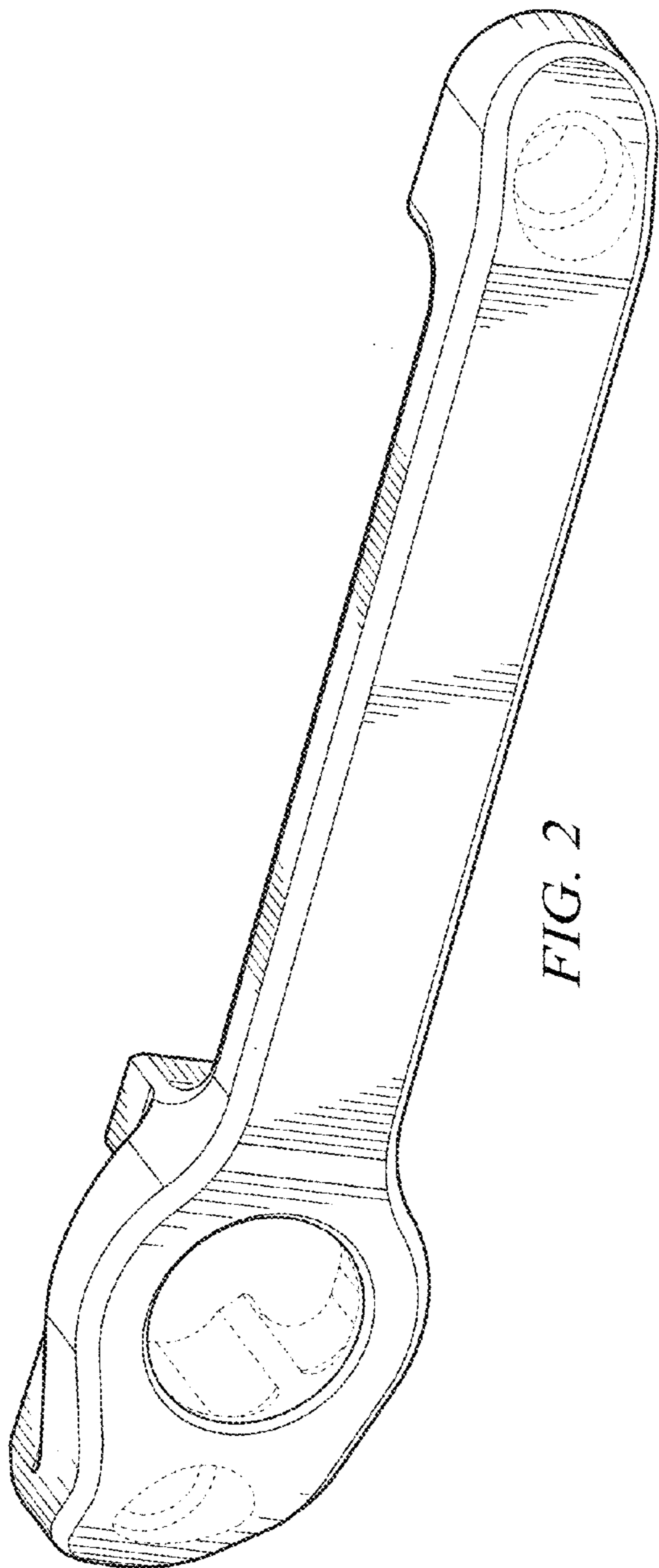


FIG. 2

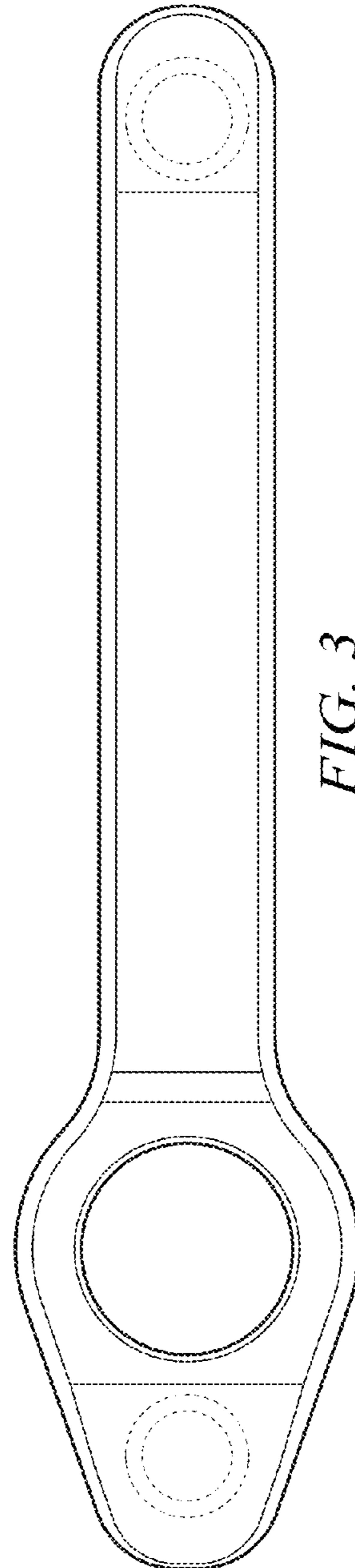


FIG. 3

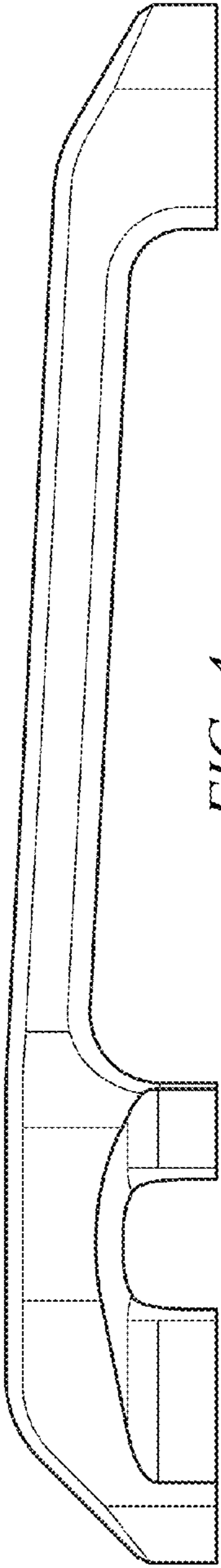


FIG. 4

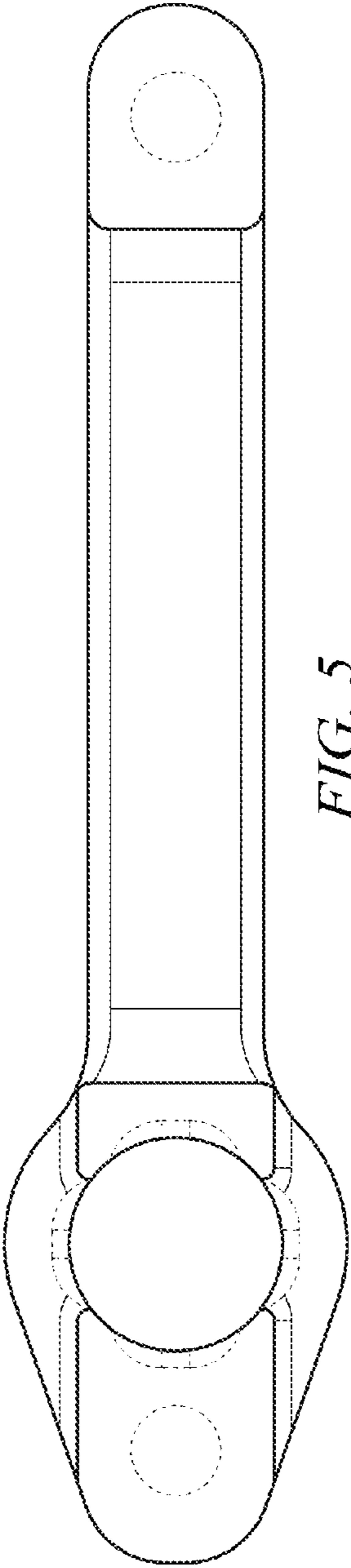


FIG. 5

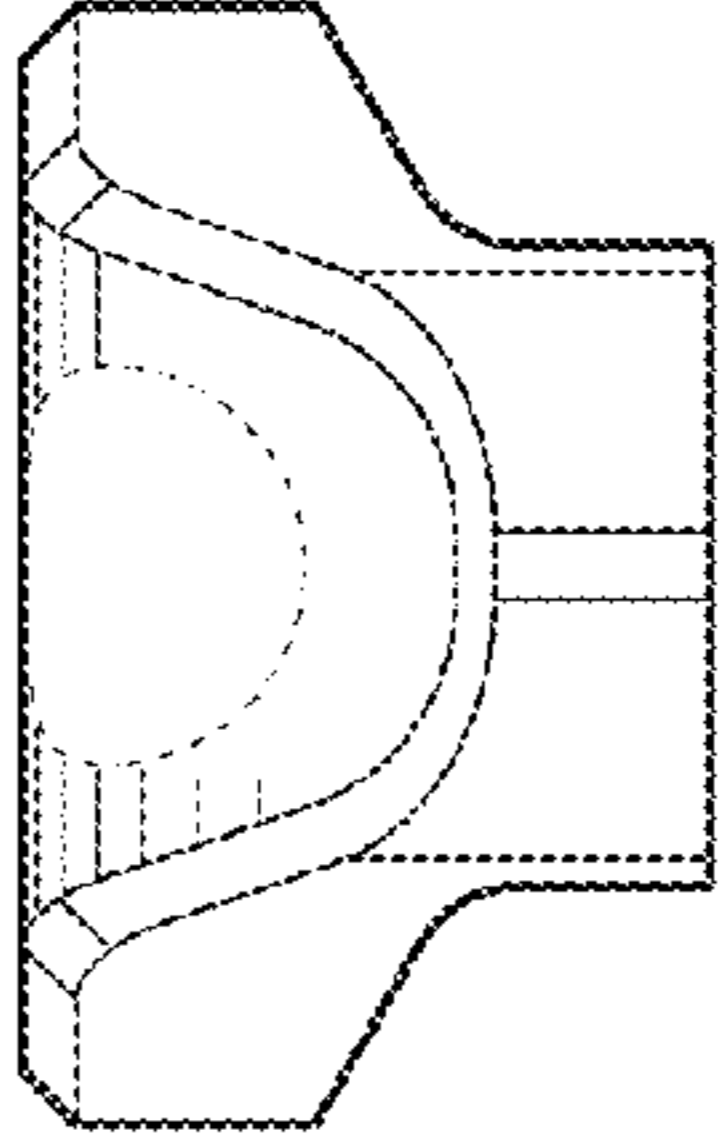


FIG. 7

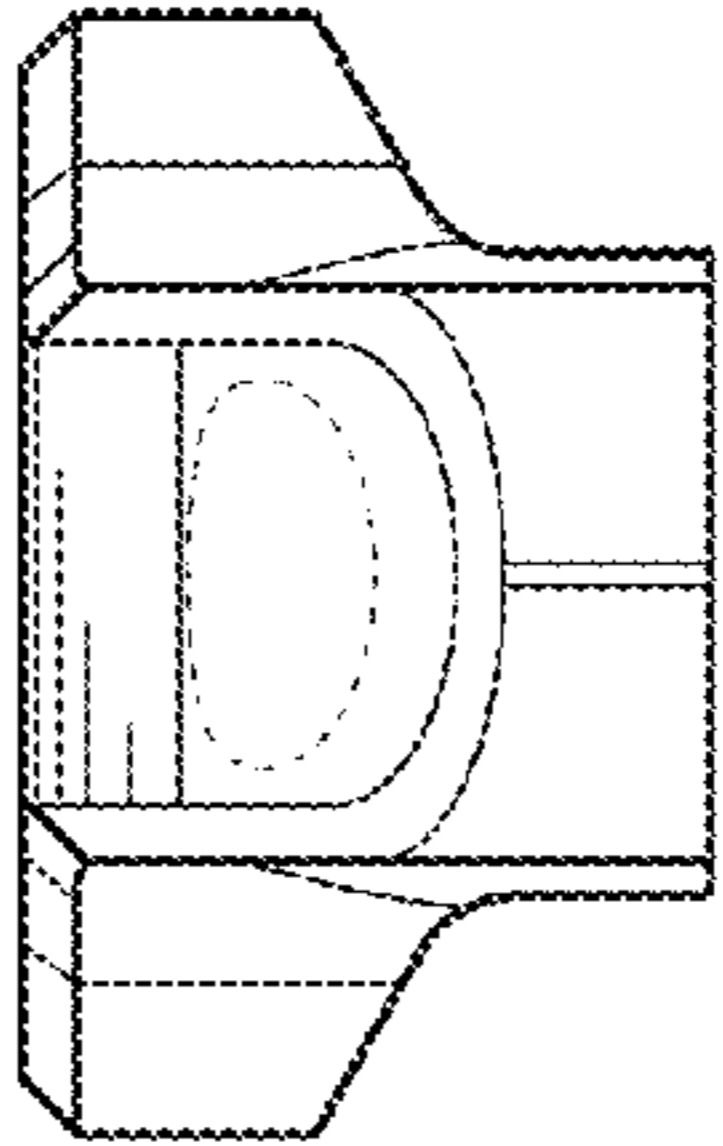


FIG. 6