



US00D738982S

(12) **United States Design Patent**
Silvers

(10) **Patent No.:** **US D738,982 S**

(45) **Date of Patent:** **** Sep. 15, 2015**

(54) **PORTION OF A FLASH SUPPRESSOR FOR A FIREARM**

(71) Applicant: **RA Brands, L.L.C.**, Madison, NC (US)

(72) Inventor: **Robert Silvers**, Marshfield, MA (US)

(73) Assignee: **RA Brands, L.L.C.**, Madison, NC (US)

(**) Term: **14 Years**

(21) Appl. No.: **29/480,124**

(22) Filed: **Jan. 23, 2014**

(51) **LOC (10) Cl.** **22-01**

(52) **U.S. Cl.**
USPC **D22/108**

(58) **Field of Classification Search**
USPC D22/103, 108; D21/572-575; 42/1.06,
42/107, 76.02-76.1; 89/14.1-14.8, 14.05,
89/177; 181/223

CPC F41A 21/32; F41A 21/325; F41A 21/34;
F41A 21/36; F41A 21/38; F41A 21/40;
F41A 21/42

See application file for complete search history.

(56) **References Cited**

U.S. PATENT DOCUMENTS

D349,147 S	7/1994	Gwinn	
6,837,139 B2	1/2005	Meyers	
7,302,774 B2	12/2007	Meyers	
D577,409 S	9/2008	Brittingham	
D577,410 S	9/2008	Brittingham	
D605,724 S	12/2009	Heath	
D610,221 S	2/2010	Brittingham	
7,661,349 B1 *	2/2010	Brittingham	89/14.4
7,861,636 B1	1/2011	Hoffman	
7,905,170 B1	3/2011	Brittingham et al.	
D647,588 S	10/2011	Heath	
D666,687 S	9/2012	Nierenberg	
D687,119 S	7/2013	Dueck	

8,490,534 B1	7/2013	Moore	
D693,896 S	11/2013	Dueck	
D709,581 S *	7/2014	Langevin et al.	D22/108
2007/0063445 A1	3/2007	Tierney et al.	
2008/0277876 A1	11/2008	Riley	

OTHER PUBLICATIONS

Flash Suppressor: <http://www.brownells.com/rifle-parts/barrel-parts/flash-hiders/flash-suppressor-prod21419.aspx> (Accessed Apr. 30, 2014).

* cited by examiner

Primary Examiner — Michael A Pratt

(74) *Attorney, Agent, or Firm* — Womble Carlyle Sandridge & Rice LLP

(57) **CLAIM**

The ornamental design for a portion of a flash suppressor for a firearm, as shown and described.

DESCRIPTION

FIG. 1 is a front perspective view of a portion of a flash suppressor for a firearm in accordance with the present invention;

FIG. 2 is a front elevation view of the portion of a flash suppressor for a firearm of FIG. 1;

FIG. 3 is a rear elevation view of the portion of a flash suppressor for a firearm of FIG. 1;

FIG. 4 is a right elevation view of the portion of a flash suppressor for a firearm of FIG. 1;

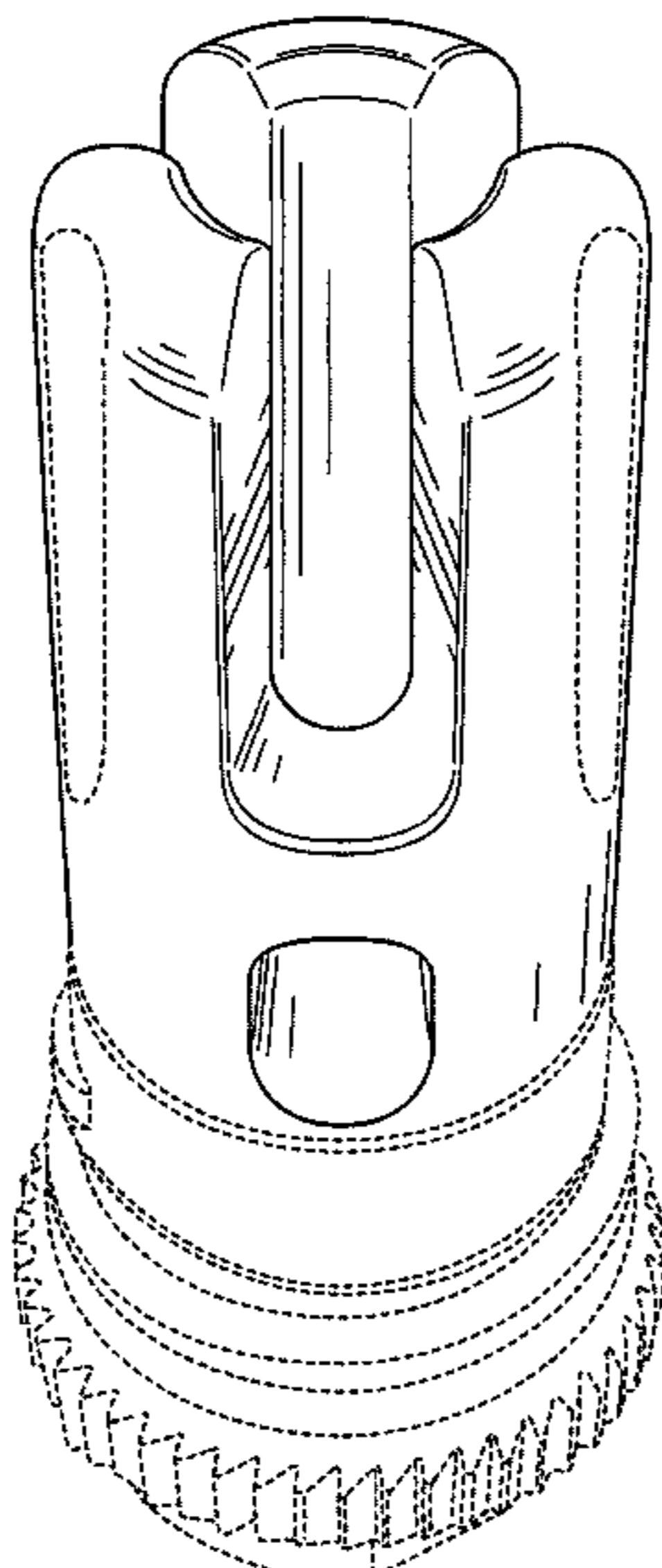
FIG. 5 is a left elevation view of the portion of a flash suppressor for a firearm of FIG. 1;

FIG. 6 is a top plan view of the portion of a flash suppressor for a firearm of FIG. 1; and,

FIG. 7 is a bottom plan view of the portion of a flash suppressor for a firearm of FIG. 1.

The broken lines shown herein are for illustrative purposes and form no part of the claimed design.

1 Claim, 6 Drawing Sheets



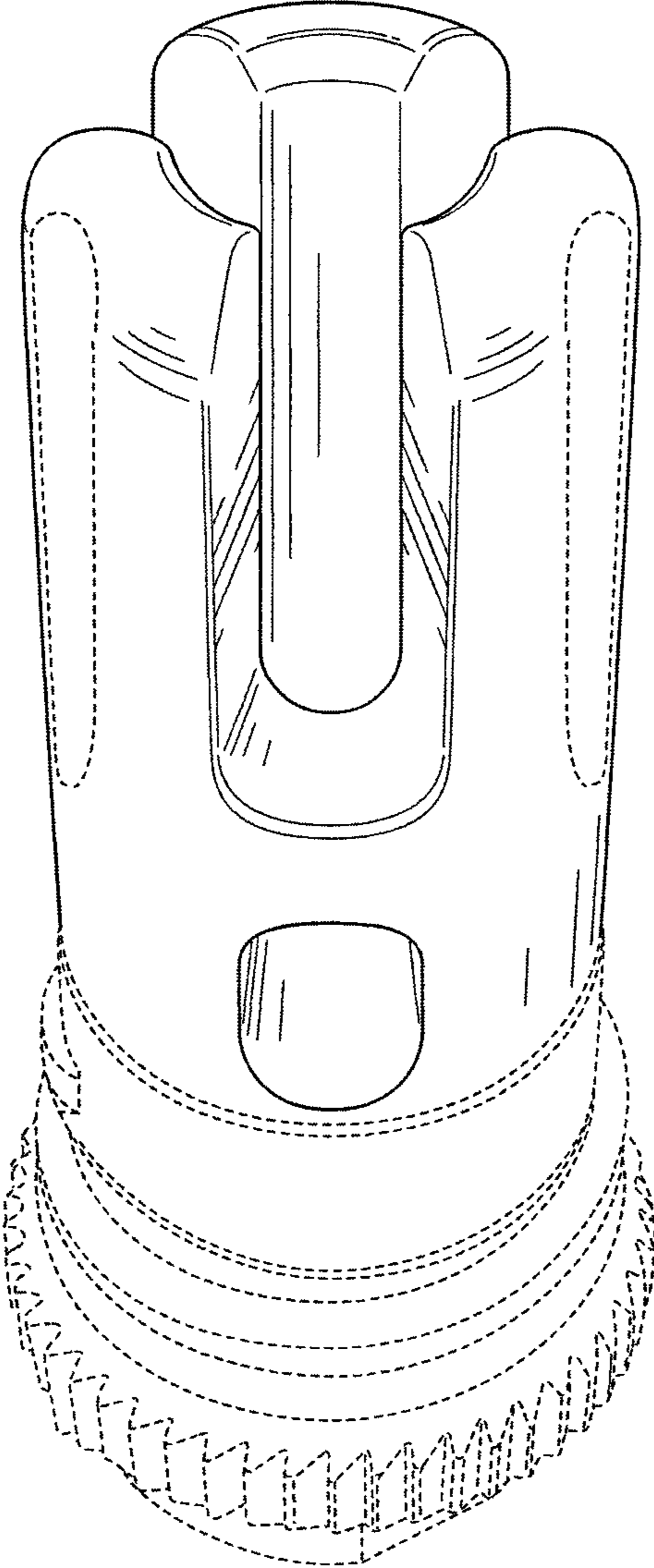


FIG. 1

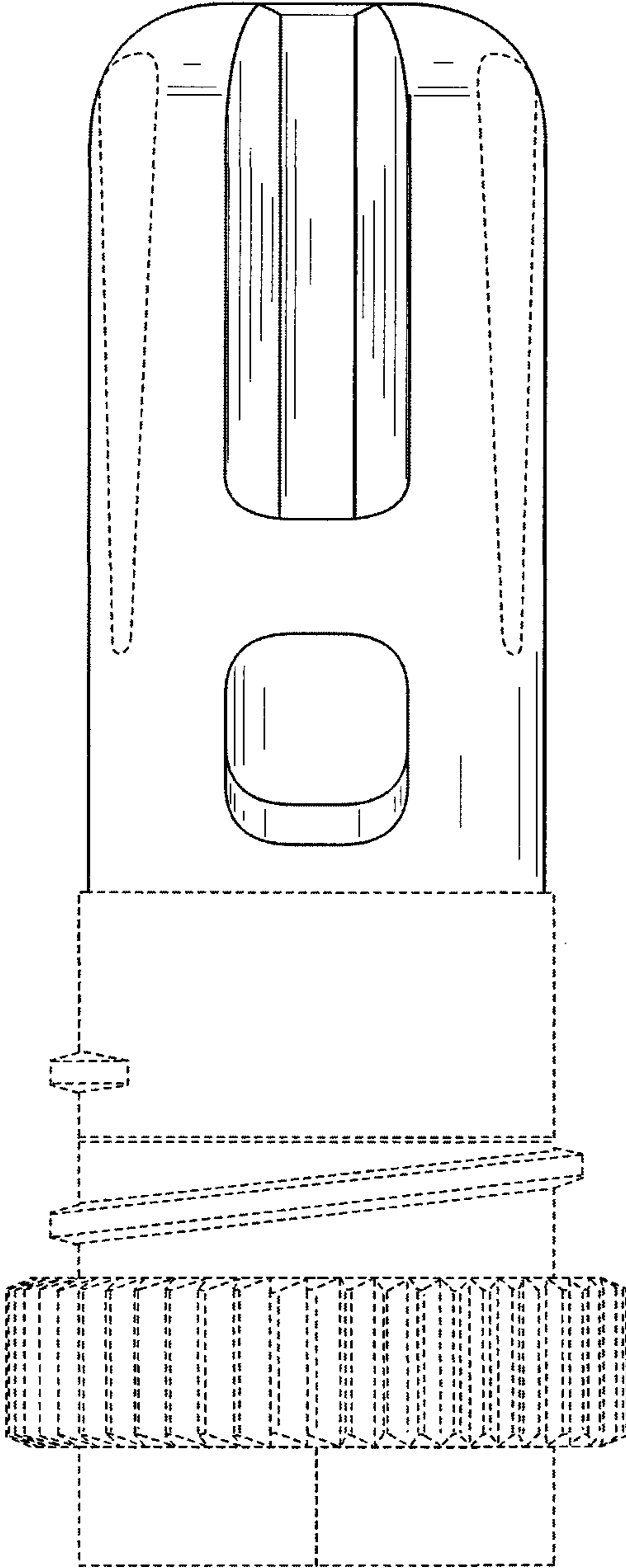


FIG. 2

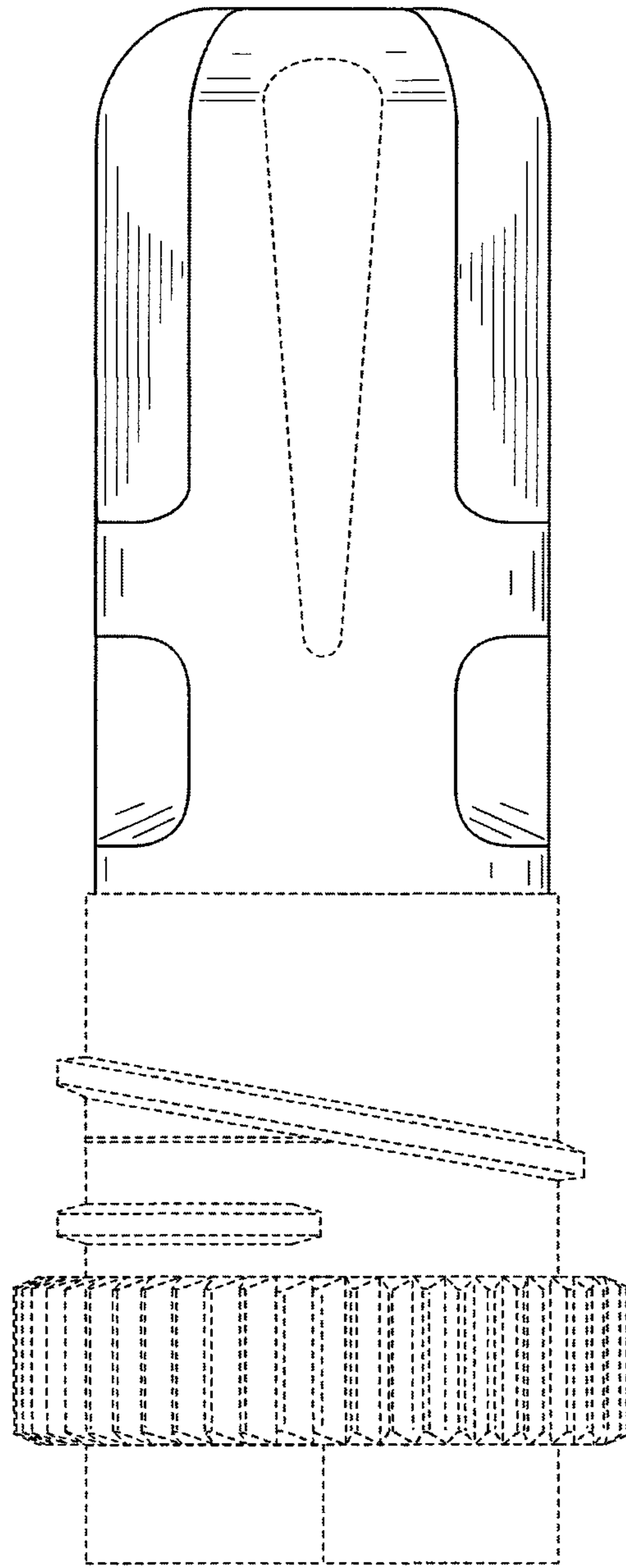


FIG. 3

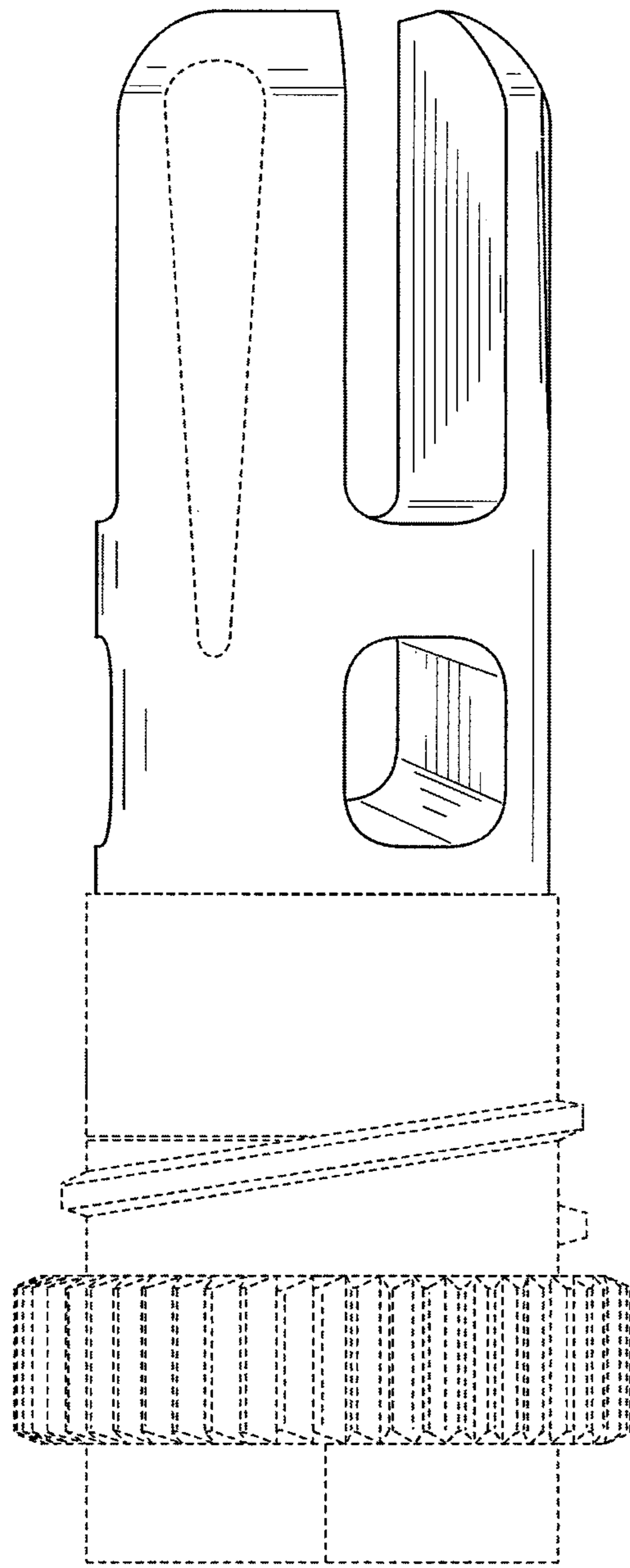


FIG. 4

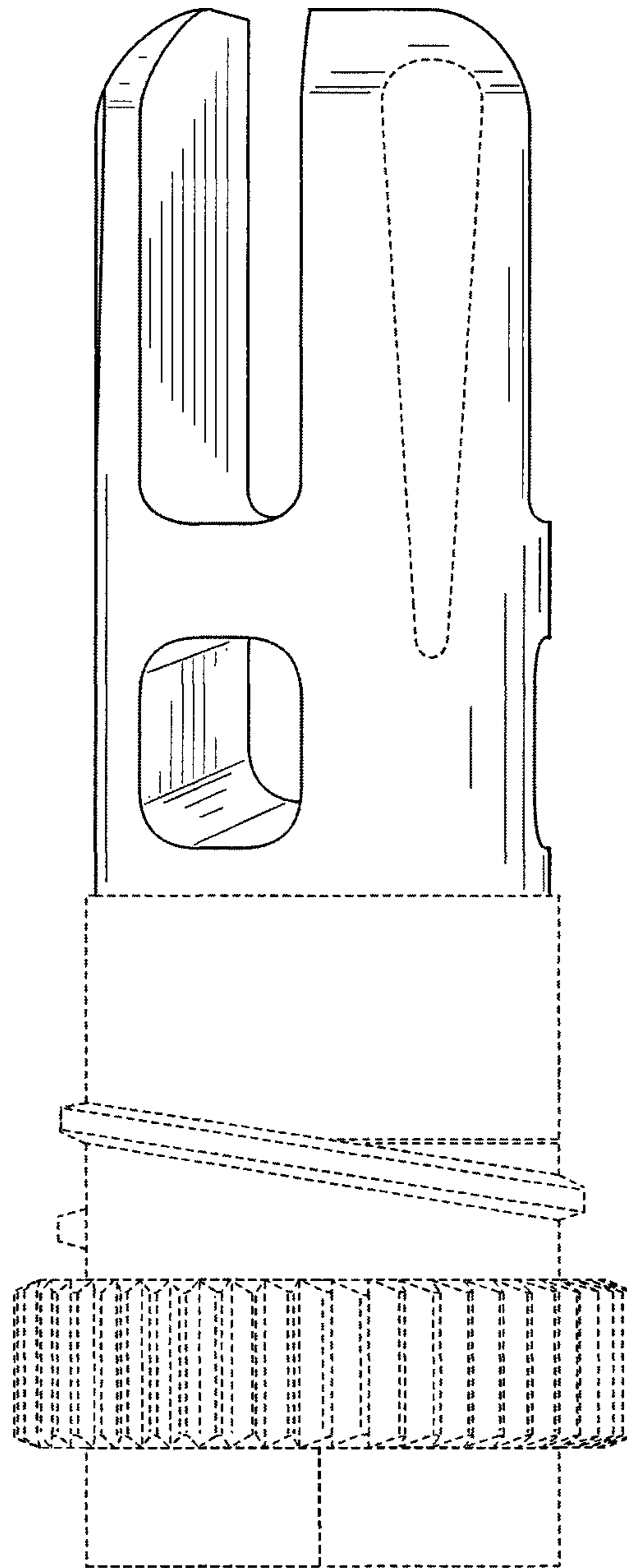


FIG. 5

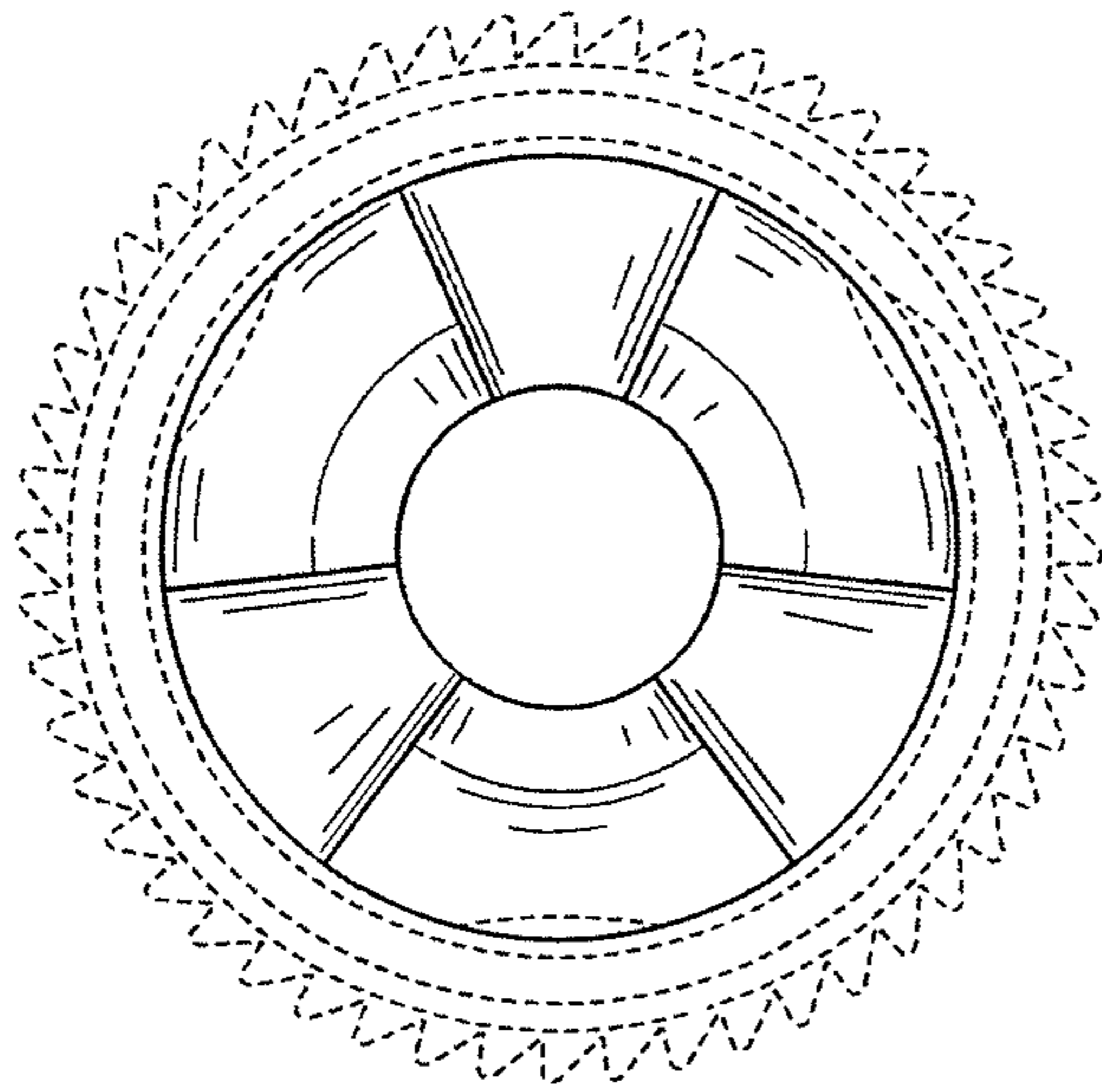


FIG. 6

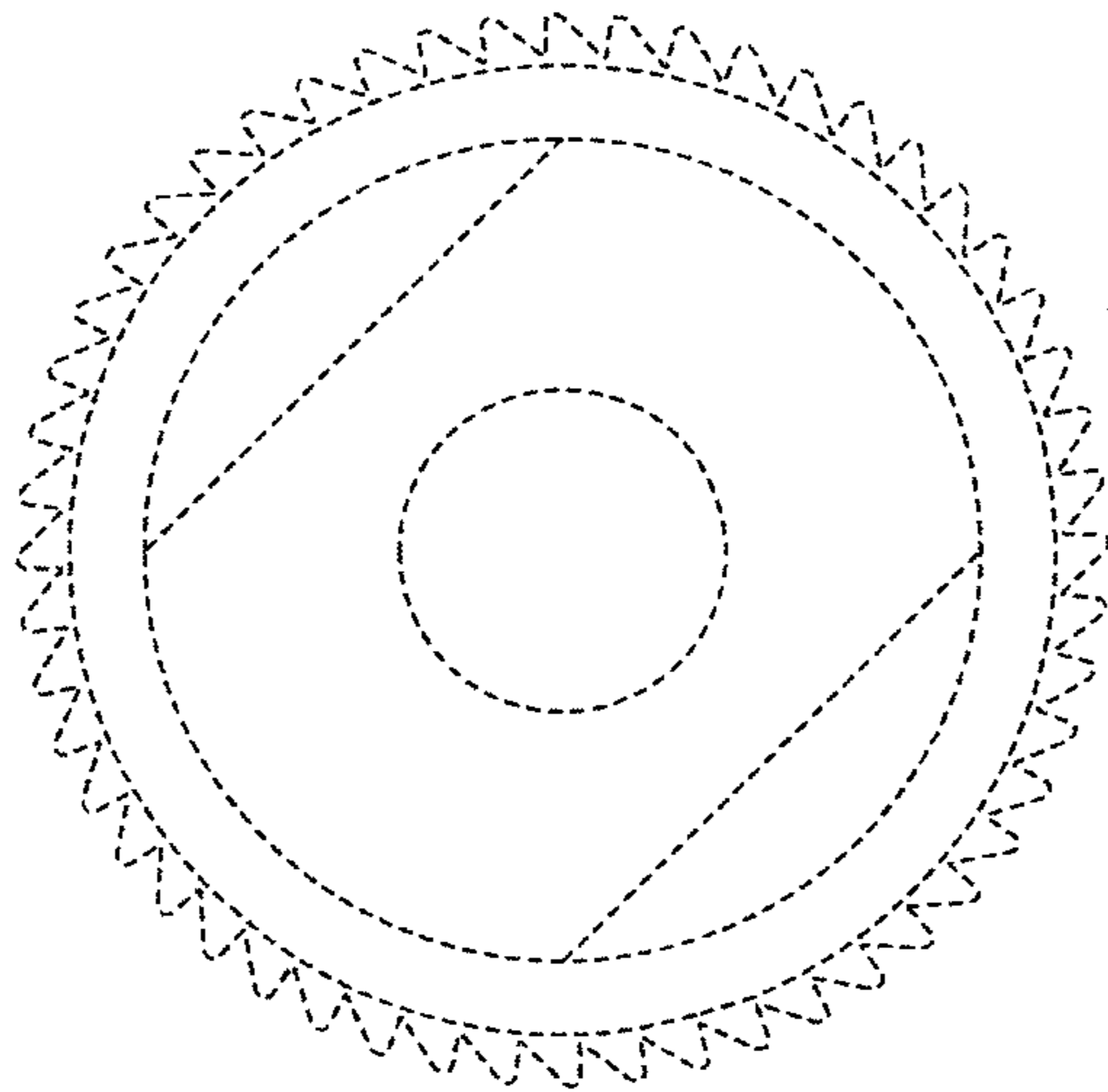


FIG. 7