



US00D738981S

(12) **United States Design Patent**
Zusman

(10) **Patent No.:** **US D738,981 S**

(45) **Date of Patent:** **** Sep. 15, 2015**

(54) **GUN STOCK**

(71) Applicant: **Nisim Zusman**, Ein Ayala (IL)

(72) Inventor: **Nisim Zusman**, Ein Ayala (IL)

(**) Term: **14 Years**

(21) Appl. No.: **29/478,023**

(22) Filed: **Dec. 30, 2013**

(51) **LOC (10) Cl.** **22-01**

(52) **U.S. Cl.**

USPC **D22/108**

(58) **Field of Classification Search**

USPC D22/103, 108; D21/572-573; 42/51,
42/90, 71.01, 71.02, 73, 75.01, 75.02;
362/160; 89/40.06, 37.04, 33.04;
33/334

CPC F41C 23/00; F41C 23/02; F41C 23/04;
F41C 23/06; F41C 23/08; F41C 23/10;
F41C 23/12; F41C 23/14; F41C 23/16;
F41C 23/18; F41C 23/20; F41C 23/22;
F41C 7/02; F41C 7/04; F41C 7/06; F41C
7/11; F41C 7/12

See application file for complete search history.

(56) **References Cited**

U.S. PATENT DOCUMENTS

294,402 A	3/1884	Onderdonk
319,613 A	6/1885	Onderdonk
436,997 A	9/1890	Quackenbush
746,859 A	12/1903	Marble
922,173 A	5/1909	Lovelace
931,328 A	8/1909	Marble
961,511 A	6/1910	Marble
1,054,960 A	2/1913	Kennedy
1,086,490 A	2/1914	Weathers
1,156,293 A	10/1915	Jorgenson
1,174,840 A	3/1916	Fisher

1,485,456 A	3/1924	Von Frommer
1,734,852 A	11/1929	Frampton et al.
1,822,875 A	9/1931	Ammann
2,098,139 A	11/1937	Foley et al.
2,400,422 A	5/1946	Johnson, Jr.
2,433,151 A	12/1947	Parsons
2,766,542 A	10/1956	Harvey

(Continued)

FOREIGN PATENT DOCUMENTS

CN 300736403 1/2008

OTHER PUBLICATIONS

U.S. Appl. No. 61/360,487, filed Jun. 30, 2010, Zusman.

(Continued)

Primary Examiner — Michael A Pratt

(74) *Attorney, Agent, or Firm* — Law Office of Arthur M. Antonelli, PLLC

(57) **CLAIM**

The ornamental design for a gun stock, as shown and described.

DESCRIPTION

FIG. 1 is a perspective view of a gun stock in accordance with my new design;

FIG. 2 is a front left bottom perspective view of the gun stock of FIG. 1;

FIG. 3 is a front view of the gun stock of FIG. 1;

FIG. 4 is a rear view of the gun stock of FIG. 1;

FIG. 5 is left side view of the gun stock of FIG. 1;

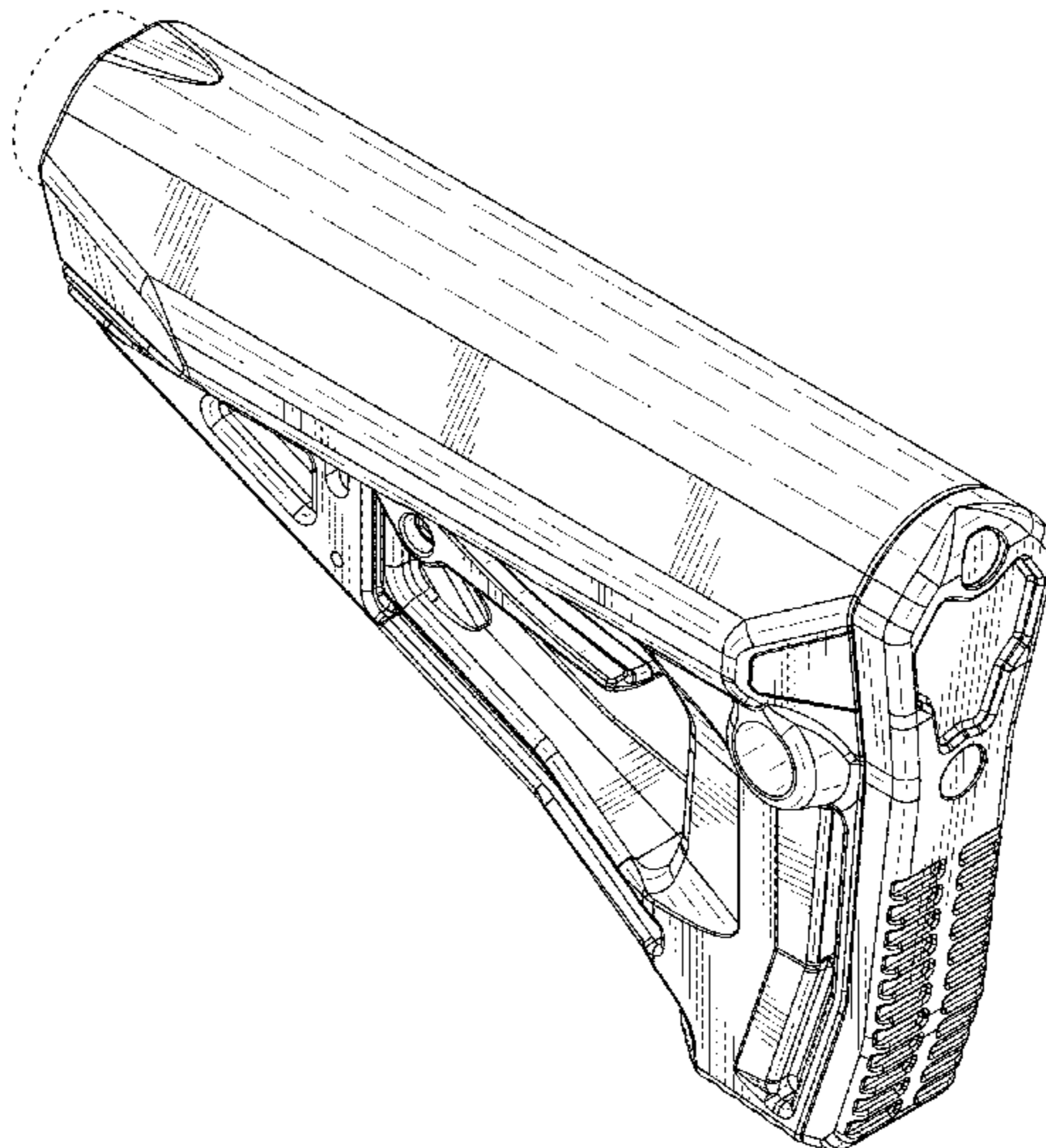
FIG. 6 is a right side view of the gun stock of FIG. 1;

FIG. 7 is a top view of the gun stock of FIG. 1; and,

FIG. 8 is a bottom view of the gun stock of FIG. 1.

All portions shown in broken lines are environmental and illustrative only and form no part of the claimed design.

1 Claim, 6 Drawing Sheets



(56)

References Cited

U.S. PATENT DOCUMENTS

3,044,204 A 7/1962 Zimmerman
 3,348,328 A 10/1967 Roy
 3,613,248 A 11/1971 Into et al.
 3,618,249 A 11/1971 Grandy
 4,115,943 A 9/1978 Musgrave
 4,141,166 A 2/1979 Schultz
 4,271,623 A 6/1981 Beretta
 4,327,626 A 5/1982 McQueen
 4,512,101 A 4/1985 Waterman, Jr.
 4,551,937 A 11/1985 Seehase
 4,697,367 A 10/1987 Brophy
 4,735,007 A 4/1988 Gal
 D324,557 S 3/1992 Livingston
 5,209,215 A 5/1993 Morrison
 5,225,613 A 7/1993 Claridge
 5,622,000 A 4/1997 Marlowe
 5,711,102 A 1/1998 Plaster et al.
 D391,334 S 2/1998 Plaster et al.
 5,907,918 A 6/1999 Langevin et al.
 6,598,329 B1 7/2003 Alexander
 6,598,330 B2 7/2003 Garrett et al.
 6,651,371 B2 11/2003 Fitzpatrick et al.
 6,779,289 B2 8/2004 Kay
 6,829,855 B2 12/2004 Seifert
 6,839,998 B1 1/2005 Armstrong
 6,874,267 B2 4/2005 Fitzpatrick et al.
 6,925,743 B1 8/2005 DiGiovanna
 7,104,001 B1 9/2006 Digiovanna
 7,131,228 B2 11/2006 Hochstrate et al.
 7,152,355 B2 12/2006 Fitzpatrick et al.
 7,162,822 B1 1/2007 Heayn et al.
 7,337,573 B1 3/2008 Digiovanna
 7,398,616 B1 7/2008 Weir
 7,418,797 B1 9/2008 Crose
 7,428,794 B2 9/2008 Oz
 D584,373 S 1/2009 Young
 D589,578 S 3/2009 Choma
 D600,308 S 9/2009 Fitzpatrick et al.
 7,587,852 B1 9/2009 Harms
 D603,013 S 10/2009 Fitzpatrick et al.
 D604,794 S 11/2009 Bentley
 7,610,711 B2 11/2009 Oz
 7,627,975 B1 12/2009 Hines
 7,640,688 B2 1/2010 Oz
 7,647,719 B2 1/2010 Fitzpatrick et al.
 7,654,187 B2 2/2010 Hochstrate et al.
 7,681,351 B2 3/2010 Bucholtz et al.
 D616,056 S 5/2010 Bentley
 7,743,544 B2 6/2010 Laney et al.
 D620,067 S 7/2010 Saur
 7,762,018 B1 7/2010 Fitzpatrick et al.
 7,805,873 B2 10/2010 Bentley
 7,823,313 B2 11/2010 Faifer
 7,827,722 B1 11/2010 Davies

D640,342 S * 6/2011 Fitzpatrick et al. D22/108
 8,127,483 B2 3/2012 Kincel
 D661,366 S * 6/2012 Zusman D22/108
 8,191,299 B2 6/2012 Faifer
 D668,311 S * 10/2012 Rogers et al. D22/108
 8,341,868 B2 * 1/2013 Zusman 42/73
 D676,921 S 2/2013 Fitzpatrick et al.
 8,387,298 B2 3/2013 Kincel
 D683,808 S * 6/2013 Elkaim D22/108
 D691,234 S * 10/2013 Fitzpatrick et al. D22/108
 8,555,541 B2 10/2013 Ingram
 D697,162 S * 1/2014 Faifer D22/108
 D706,879 S * 6/2014 Chu D21/573
 8,978,284 B1 3/2015 Zusman
 2003/0110675 A1 6/2003 Garrett et al.
 2003/0196366 A1 10/2003 Beretta
 2003/0200693 A1 10/2003 Seifert
 2004/0016167 A1 1/2004 Fitzpatrick et al.
 2005/0108915 A1 5/2005 Kincel
 2005/0262752 A1 12/2005 Robinson et al.
 2006/0096146 A1 5/2006 Fitzpatrick et al.
 2006/0254414 A1 11/2006 Kuczynko et al.
 2007/0261284 A1 11/2007 Keng
 2008/0236016 A1 10/2008 Fitzpatrick et al.
 2008/0236017 A1 10/2008 Fitzpatrick et al.
 2008/0301994 A1 12/2008 Langevin et al.
 2009/0139128 A1 6/2009 Fluhr
 2009/0178325 A1 7/2009 Veilleux
 2009/0241397 A1 10/2009 Fitzpatrick et al.
 2009/0255161 A1 10/2009 Fitzpatrick et al.
 2010/0115817 A1 5/2010 Faifer
 2010/0180485 A1 7/2010 Cabahug et al.
 2010/0192444 A1 8/2010 Cabahug et al.
 2010/0192446 A1 8/2010 Darian
 2010/0192447 A1 8/2010 Cabahug et al.
 2010/0205846 A1 8/2010 Fitzpatrick et al.
 2010/0229444 A1 9/2010 Faifer
 2010/0251591 A1 10/2010 Burt et al.
 2010/0275489 A1 11/2010 Cabahug et al.
 2010/0300277 A1 12/2010 Hochstrate et al.
 2011/0173863 A1 7/2011 Ingram
 2011/0192067 A1 8/2011 Troy
 2012/0000108 A1 1/2012 Zusman
 2012/0042556 A1 2/2012 Vesligaj
 2012/0079752 A1 4/2012 Peterson et al.
 2012/0174455 A1 7/2012 Edelman et al.
 2012/0174456 A1 7/2012 DePierro et al.
 2012/0174457 A1 7/2012 Edelman
 2012/0180353 A1 7/2012 Holmberg
 2013/0180148 A1 7/2013 Rodgers et al.

OTHER PUBLICATIONS

U.S. Appl. No. 61/417,950, filed Nov. 30, 2010, Zusman.
 Locarno (International Designs) search results: Jan. 10, 2011, pp. 1-16.

* cited by examiner

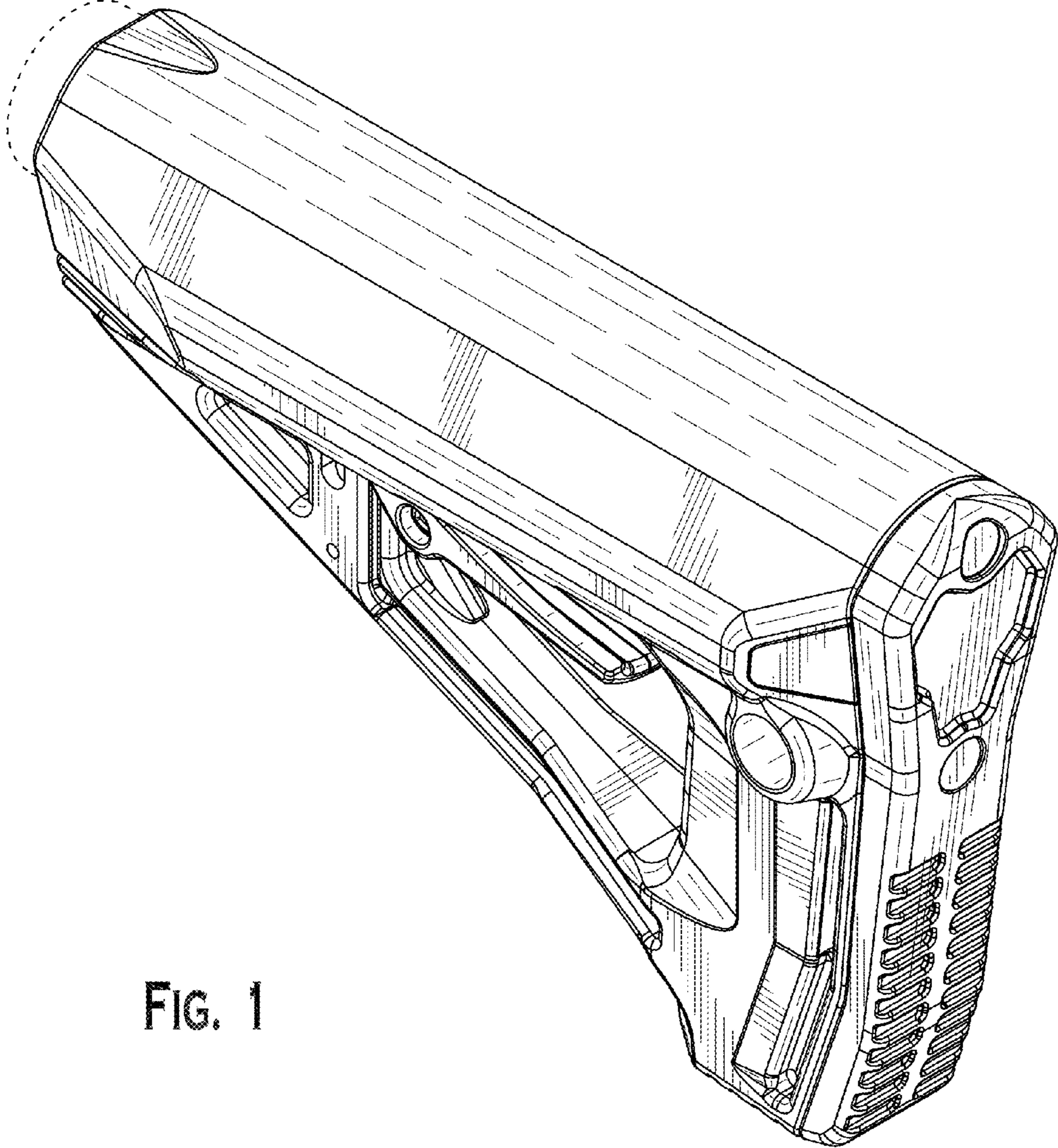


FIG. 1

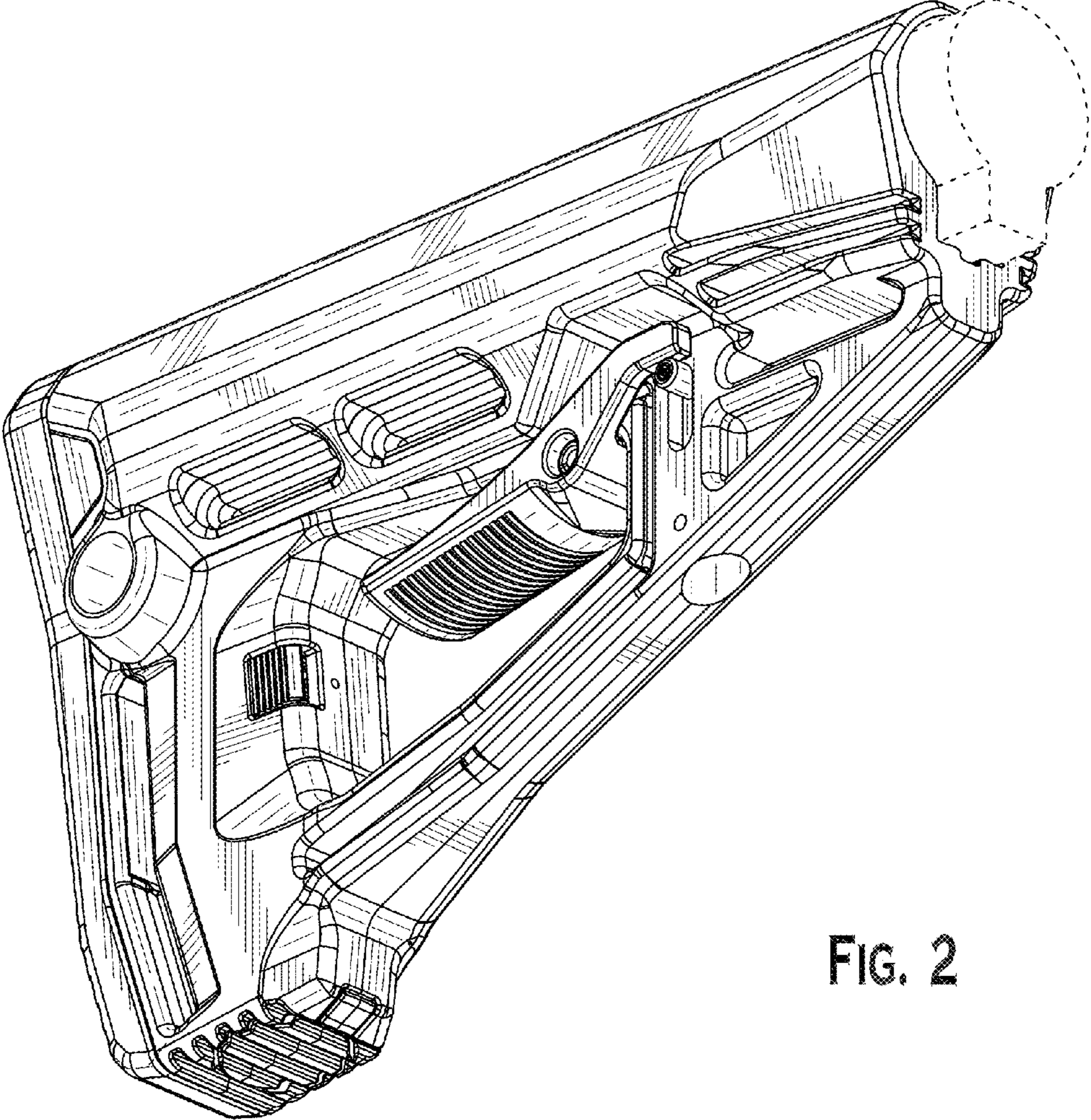


FIG. 2

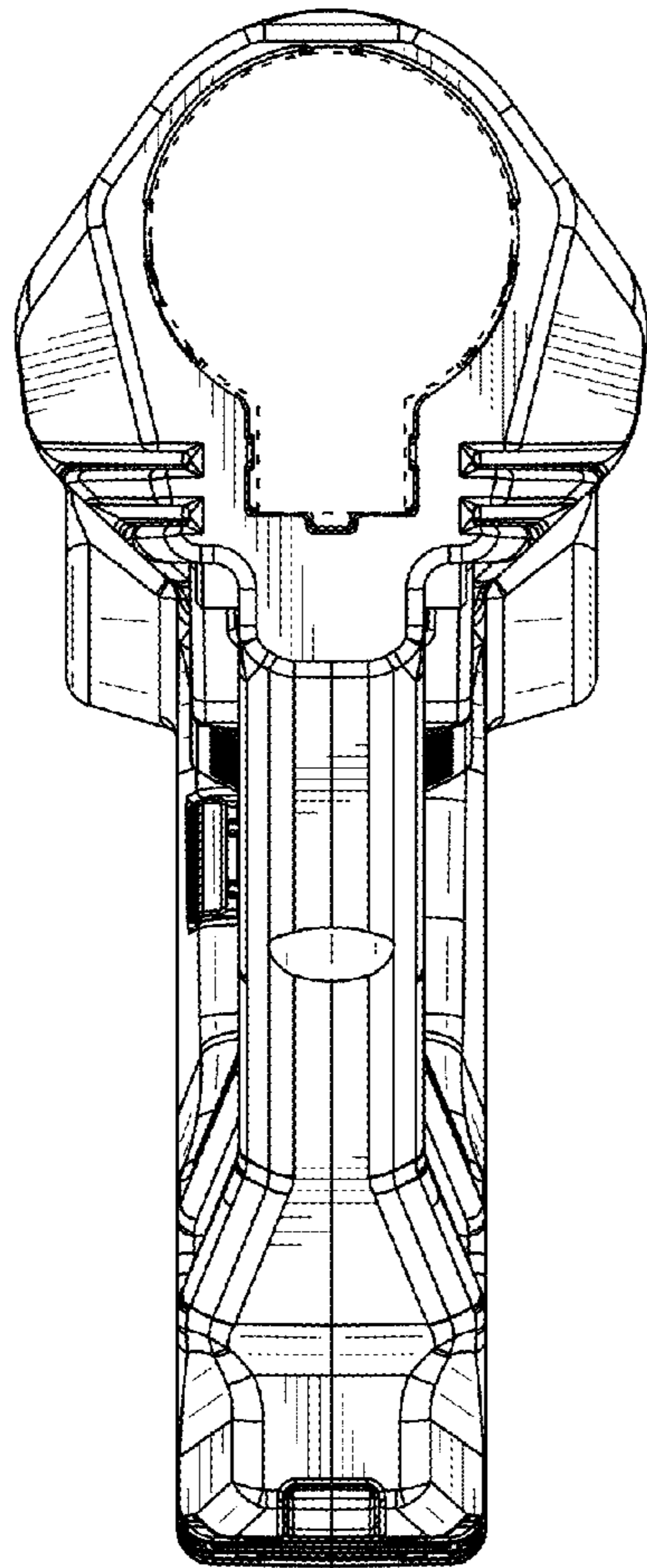


FIG. 3

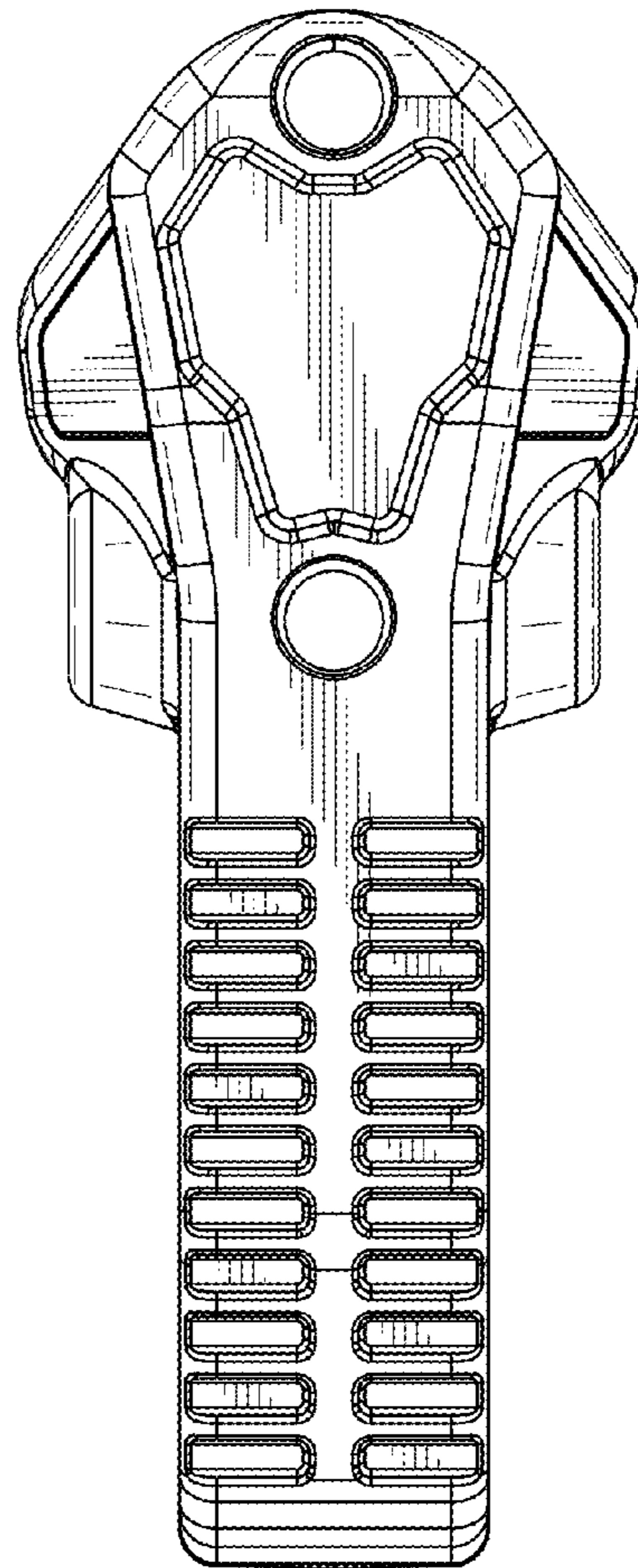


FIG. 4

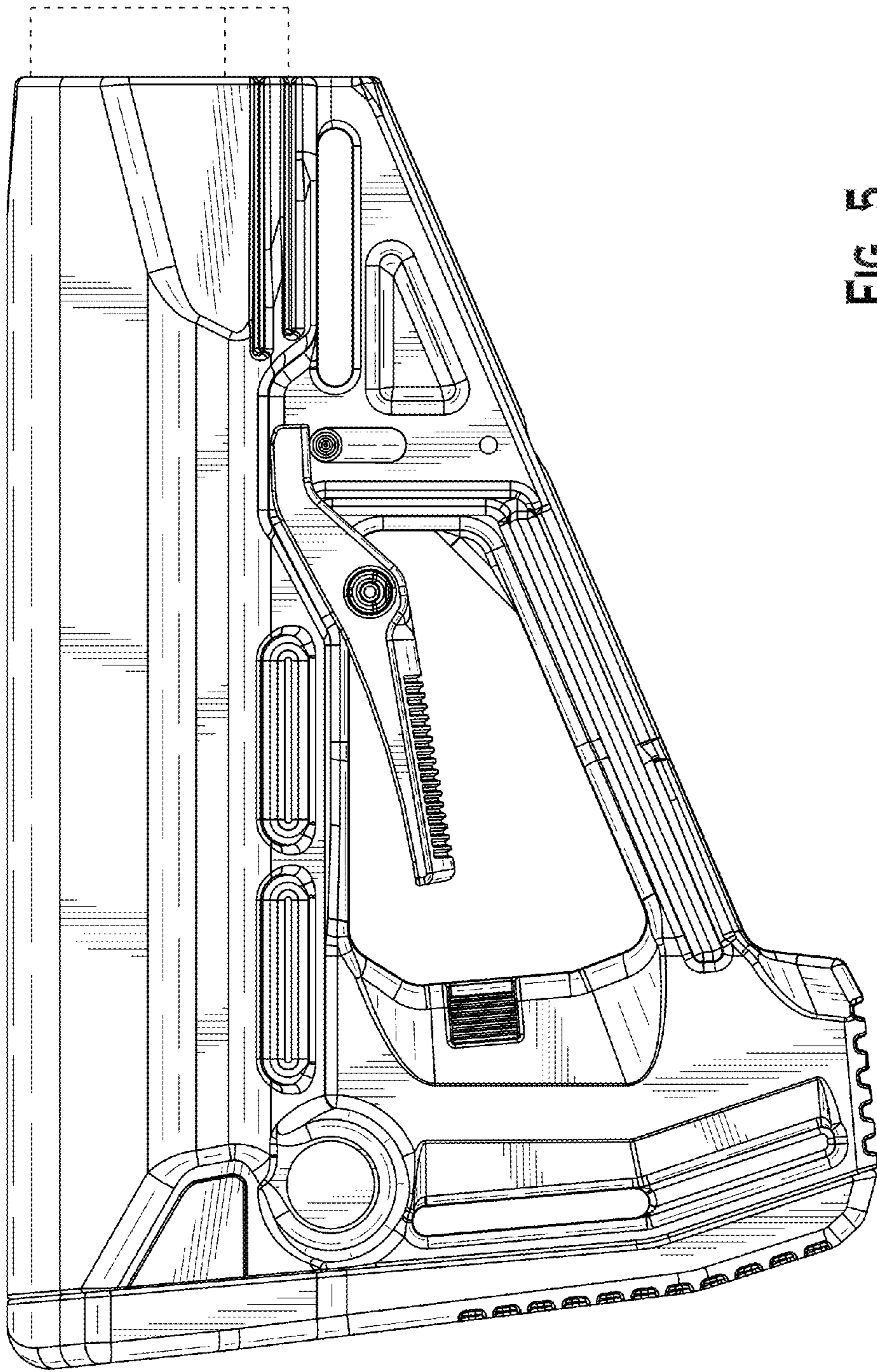


FIG. 5

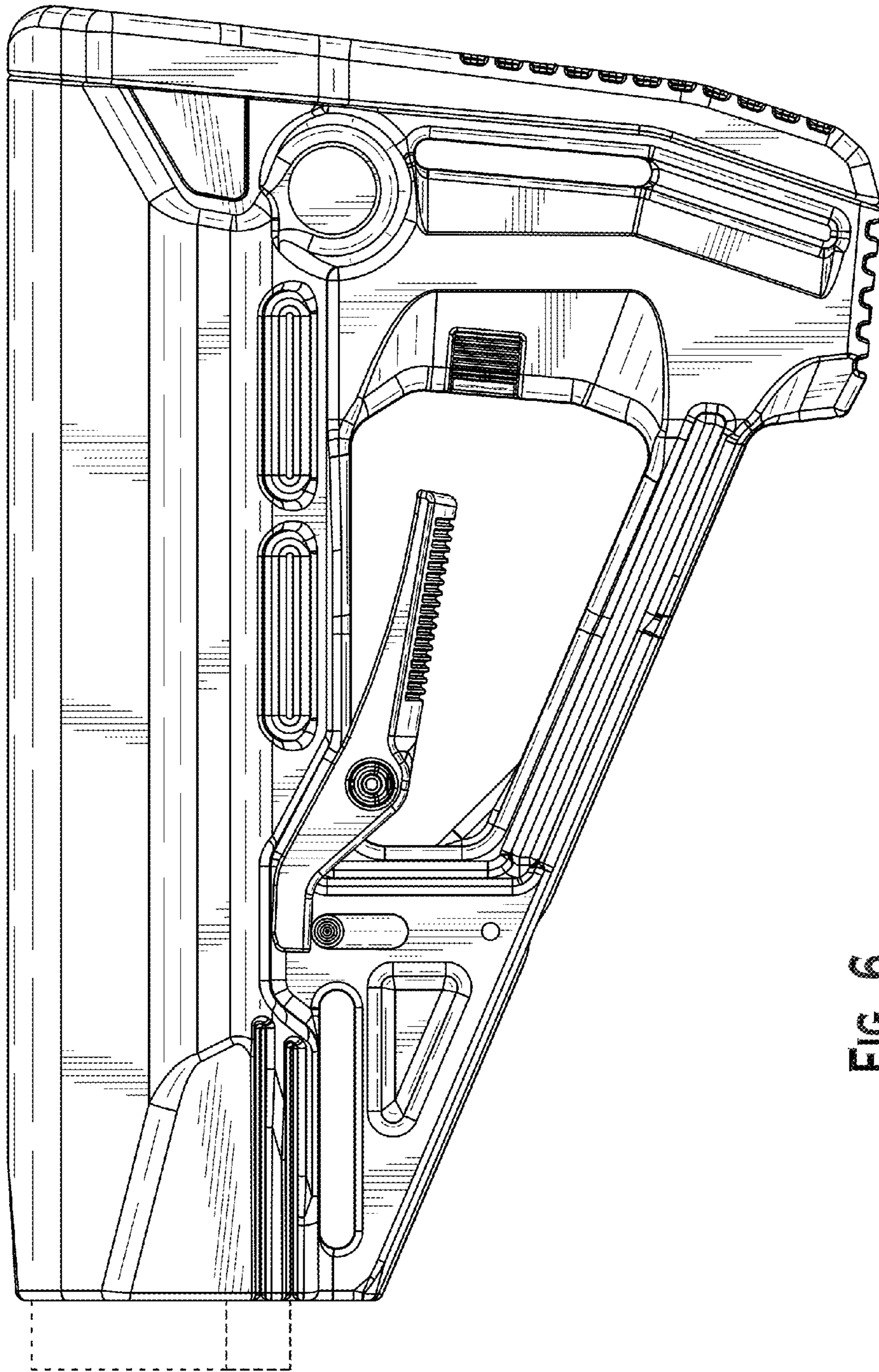


FIG. 6

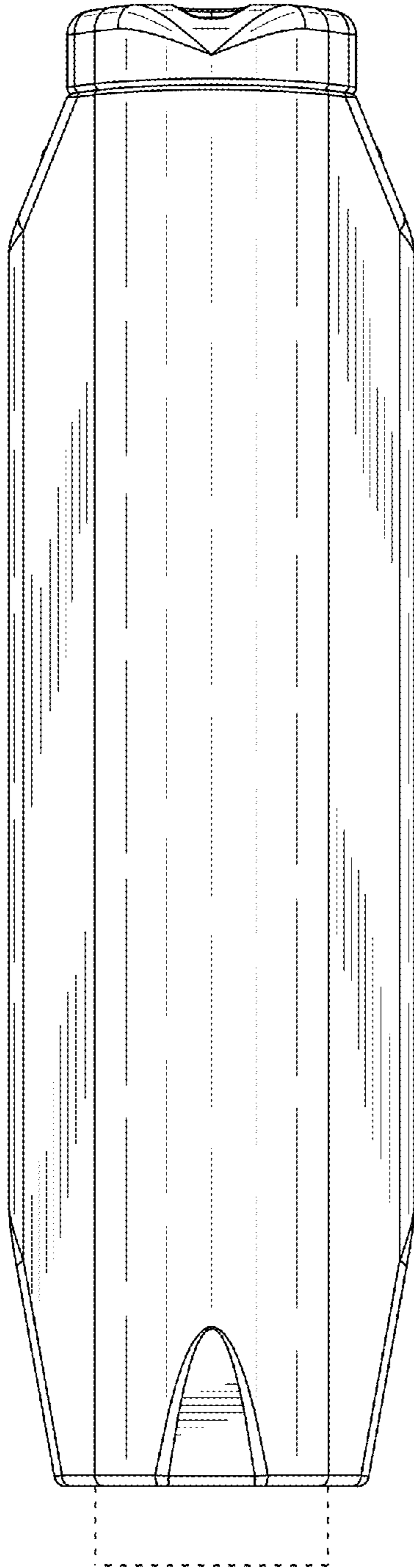


FIG. 7

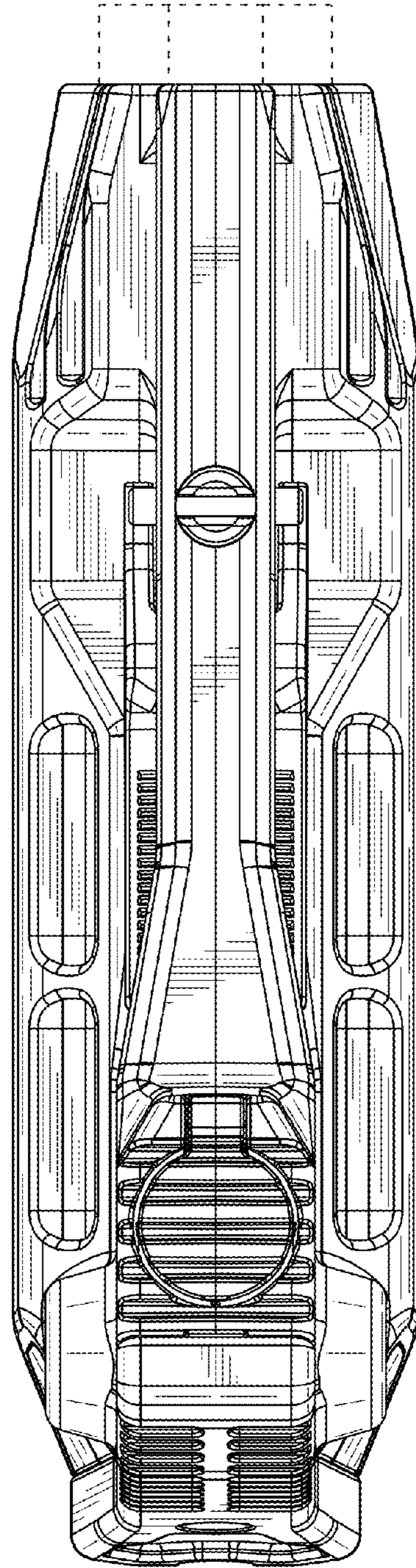


FIG. 8