



US00D738979S

(12) **United States Design Patent**
Huhsovitz et al.

(10) **Patent No.:** **US D738,979 S**
(45) **Date of Patent:** **** Sep. 15, 2015**

(54) **TENT FRAME**

- (71) Applicant: **RED BULL GMBH**, Fuschl Am See (AT)
- (72) Inventors: **Gregor Huhsovitz**, Vienna (AT); **Eike Schaefer**, Anger (DE); **Stephan Wichtl**, Seekirchen (AT); **Frank Mathis**, Bregenz (AT); **Robert Leitner**, Vienna (AT)
- (73) Assignee: **Red Bull GmbH**, Fuschl am See (AT)
- (**) Term: **14 Years**
- (21) Appl. No.: **29/507,358**
- (22) Filed: **Oct. 27, 2014**

Related U.S. Application Data

- (62) Division of application No. 29/466,128, filed on Sep. 4, 2013, now Pat. No. Des. 718,829.

(30) **Foreign Application Priority Data**

- Mar. 6, 2013 (EP) 002197269-0003
- Mar. 6, 2013 (EP) 002197269-0004
- (51) **LOC (10) Cl.** **21-04**
- (52) **U.S. Cl.**
USPC **D21/839**
- (58) **Field of Classification Search**
USPC D21/834, 836, 837, 839; D25/22, 23, D25/26, 56; 135/120, 120.3, 121, 122, 159
CPC E04H 15/34; E04H 15/44; E04H 15/46; E04H 15/48; E04H 6/04; E04C 3/30; E04C 3/32

See application file for complete search history.

(56) **References Cited**

U.S. PATENT DOCUMENTS

D208,905 S *	10/1967	Gregoire	D25/26
D245,184 S *	7/1977	Lowman et al.	D25/56
D383,187 S *	9/1997	Dalland	D21/837
D482,798 S *	11/2003	Wang	D25/56
D506,240 S *	6/2005	Tseng	D21/837
6,923,195 B2 *	8/2005	Tseng	135/122
D562,425 S *	2/2008	Dalland et al.	D21/837

(Continued)

Primary Examiner — Cynthia M Chin

(74) *Attorney, Agent, or Firm* — TechMark a Law Corp.; Mark R. Greenstein

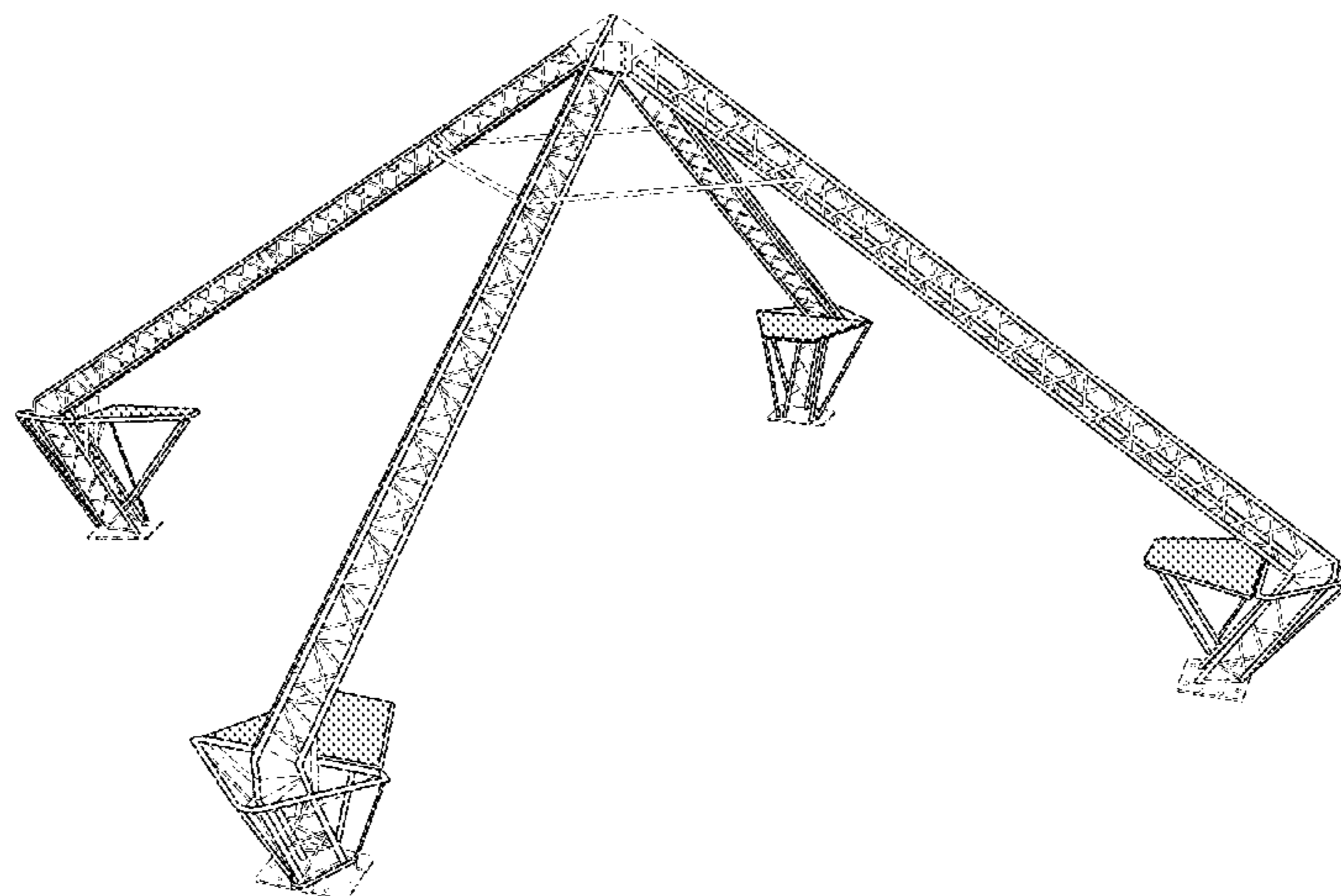
(57) **CLAIM**

The ornamental design for a tent frame, as shown and described.

DESCRIPTION

FIG. 1 is a perspective view of the tent frame showing our new design;
 FIG. 2 is a front view thereof, the left side view, right side view and rear view being identical to FIG. 2 and therefore omitted;
 FIG. 3 is a top view thereof;
 FIG. 4 is a bottom view thereof;
 FIG. 5 is a perspective view of a segmented section of the tent frame as shown in FIG. 1, and is disclosed separately for convenience of illustration;
 FIG. 6 is a front view of the segmented section as shown in FIG. 5, and is disclosed separately for convenience of illustration;
 FIG. 7 is a right side view of the segmented section as shown in FIG. 5, the left side view being the mirror image and therefore omitted, and is disclosed separately for convenience of illustration;
 FIG. 8 is a top view of the segmented section as shown in FIG. 5, and is disclosed separately for convenience of illustration; and,
 FIG. 9 is a bottom view of the segmented section as shown in FIG. 5, and is disclosed separately for convenience of illustration.

1 Claim, 9 Drawing Sheets



US D738,979 S

Page 2

(56)

References Cited

U.S. PATENT DOCUMENTS

			8,613,177 B2 *	12/2013	Pili	135/120.3
			2006/0081283 A1 *	4/2006	Ma	135/121
			2006/0174929 A1 *	8/2006	Tseng	135/159
D678,451 S	*	3/2013	Jin			D21/837
D682,382 S	*	5/2013	Ruminski			D21/835

* cited by examiner

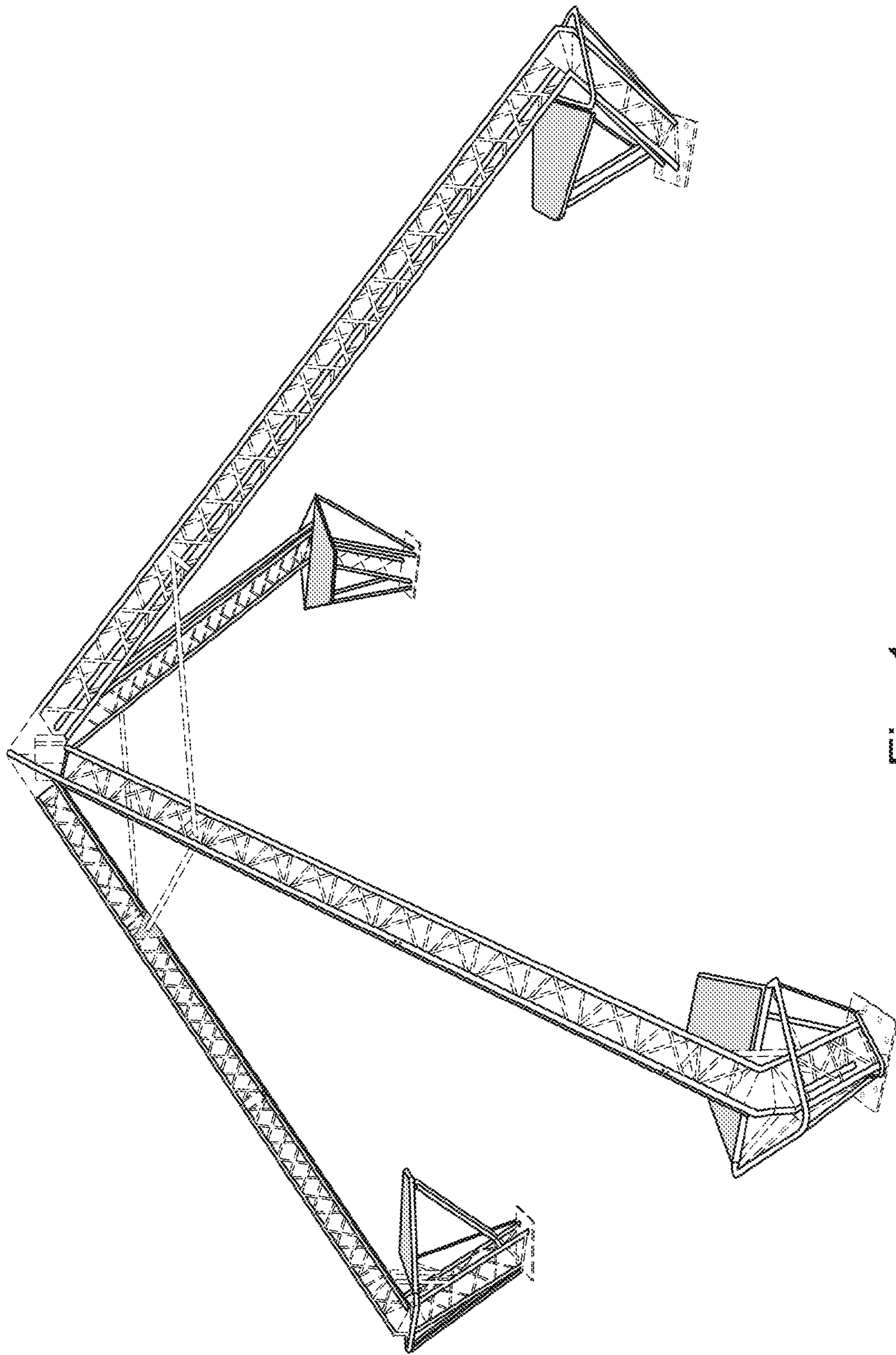


Fig. 1

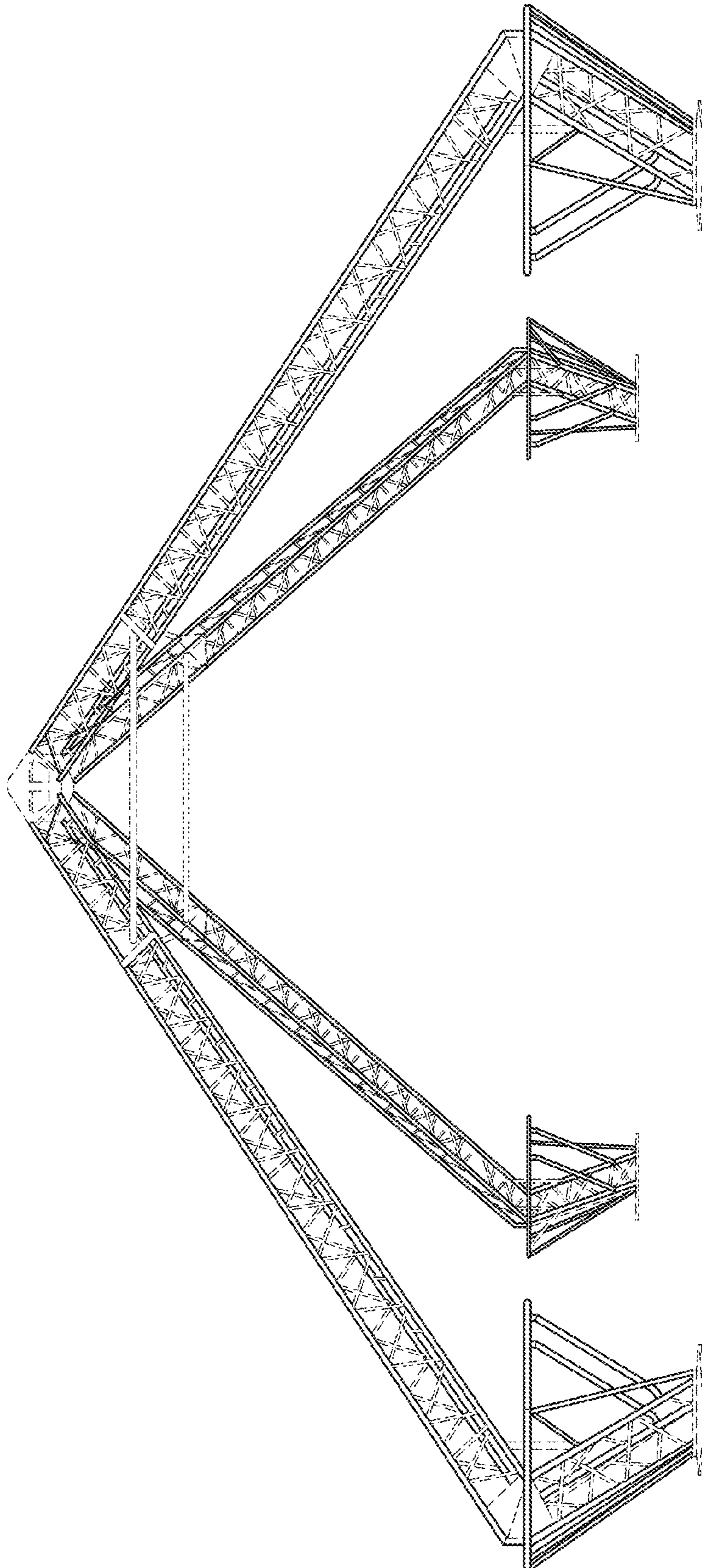


Fig. 2

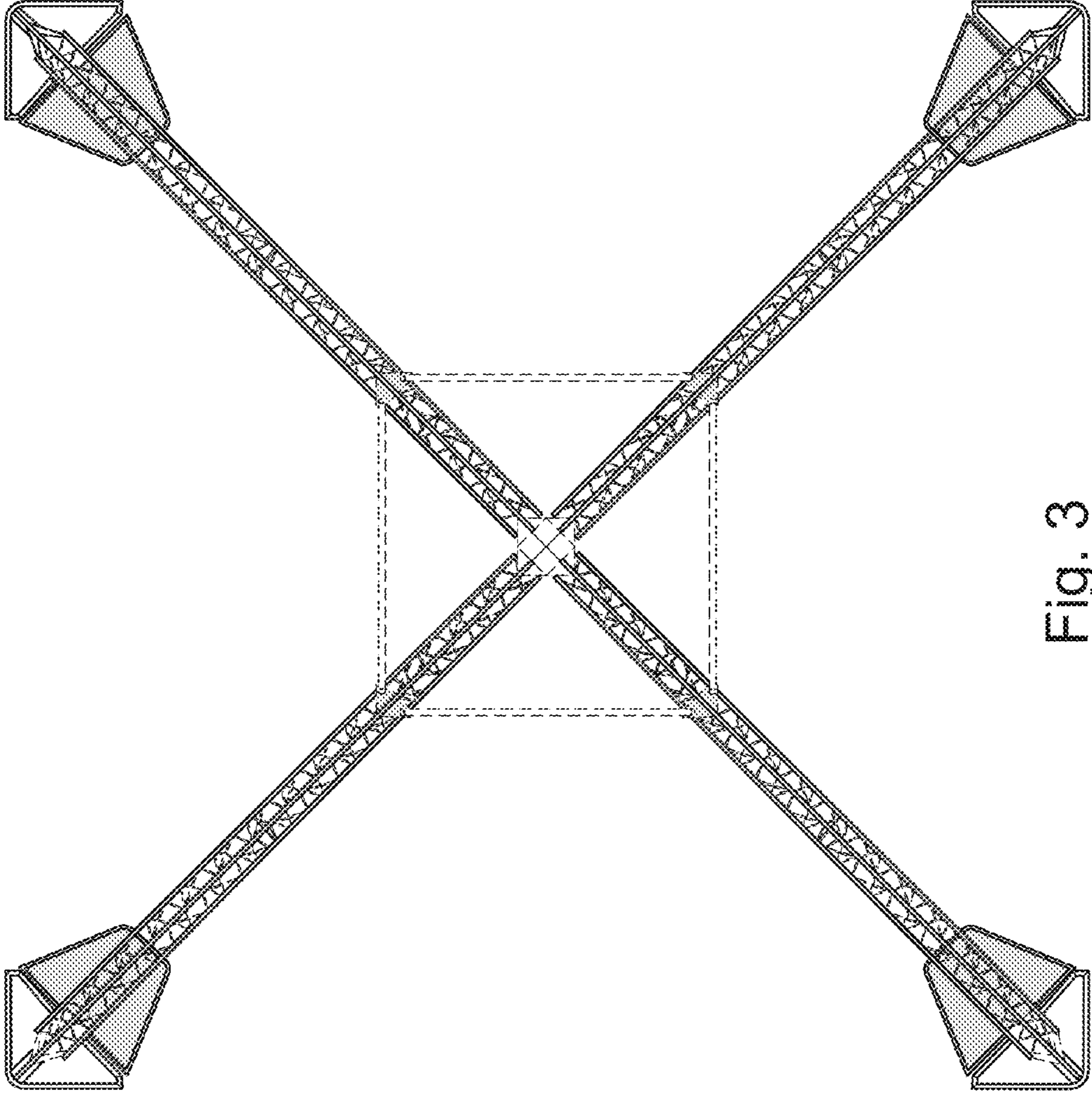


Fig. 3

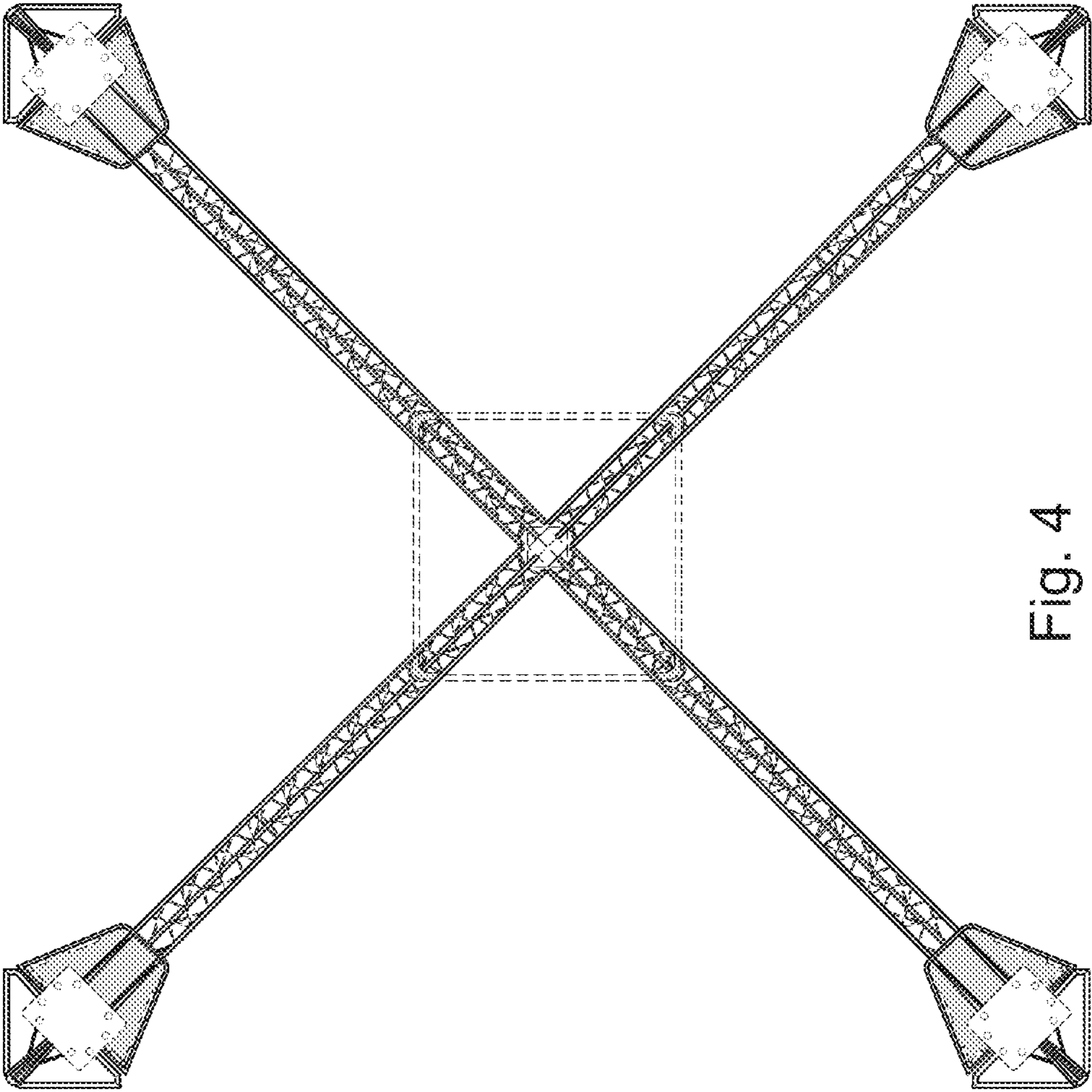


Fig. 4

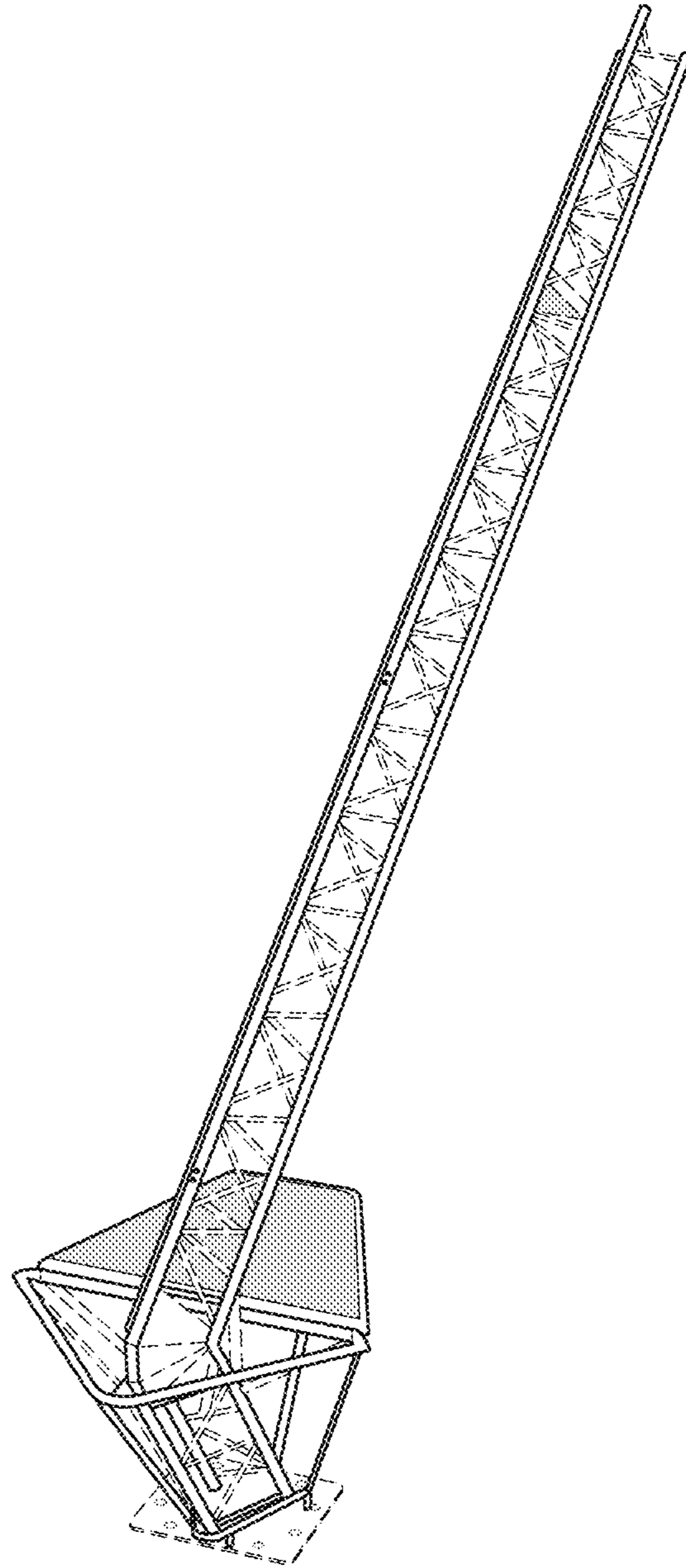


Fig. 5

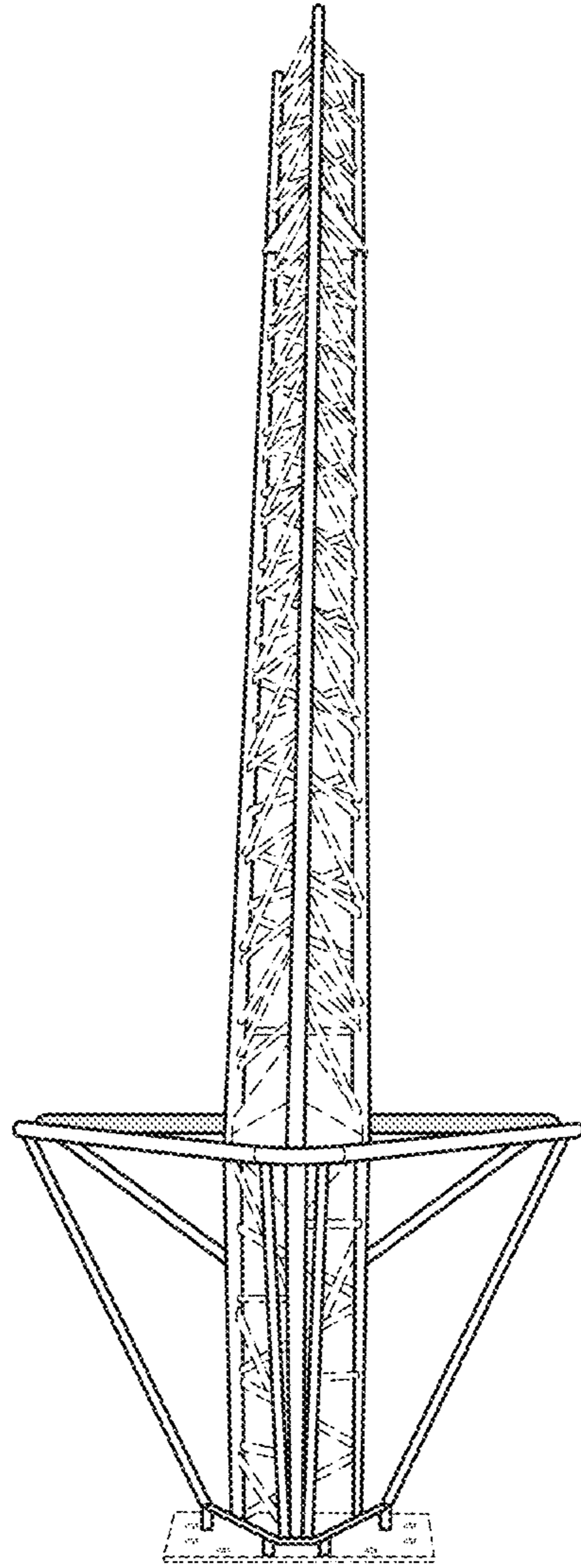


Fig. 6

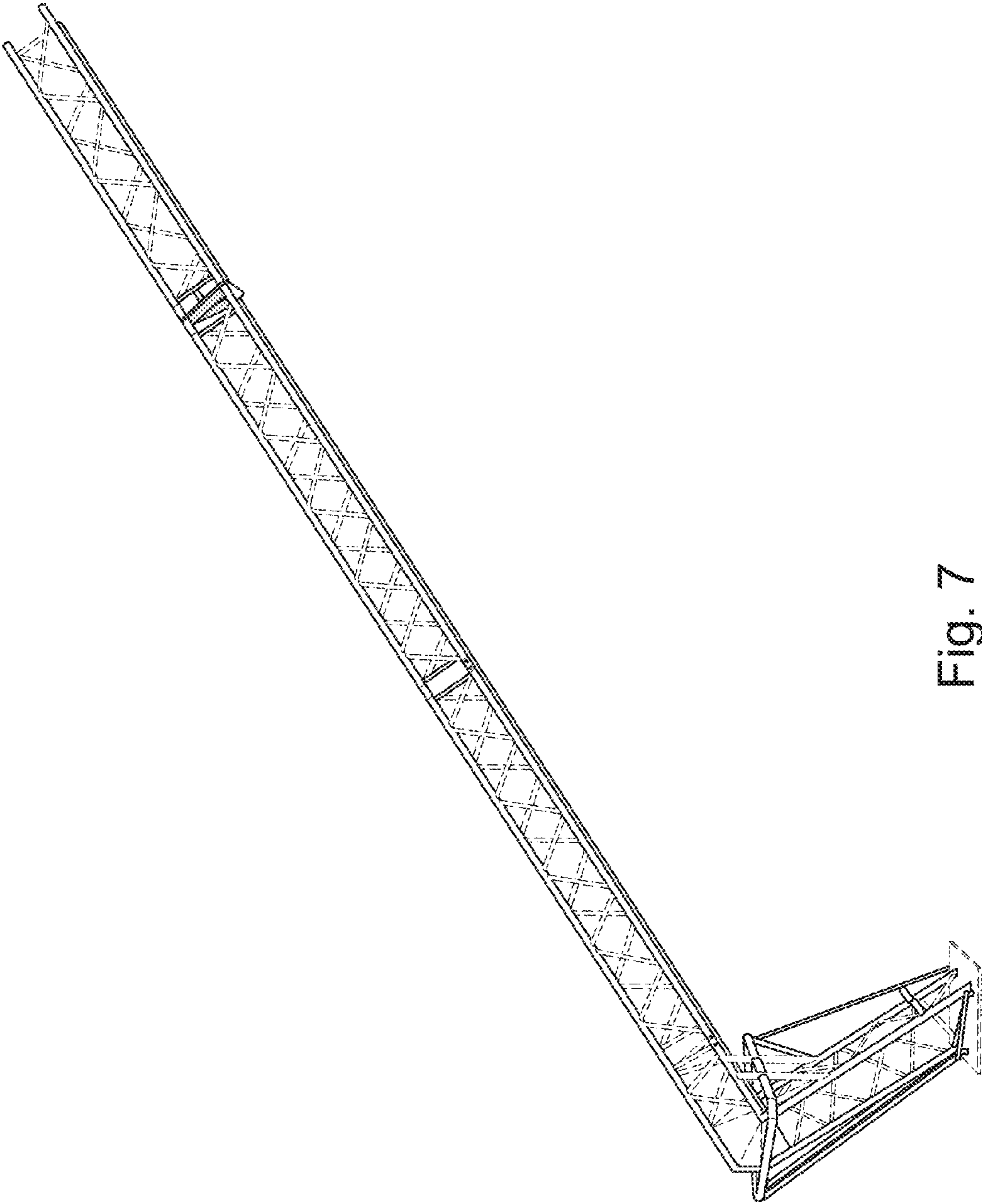


Fig. 7

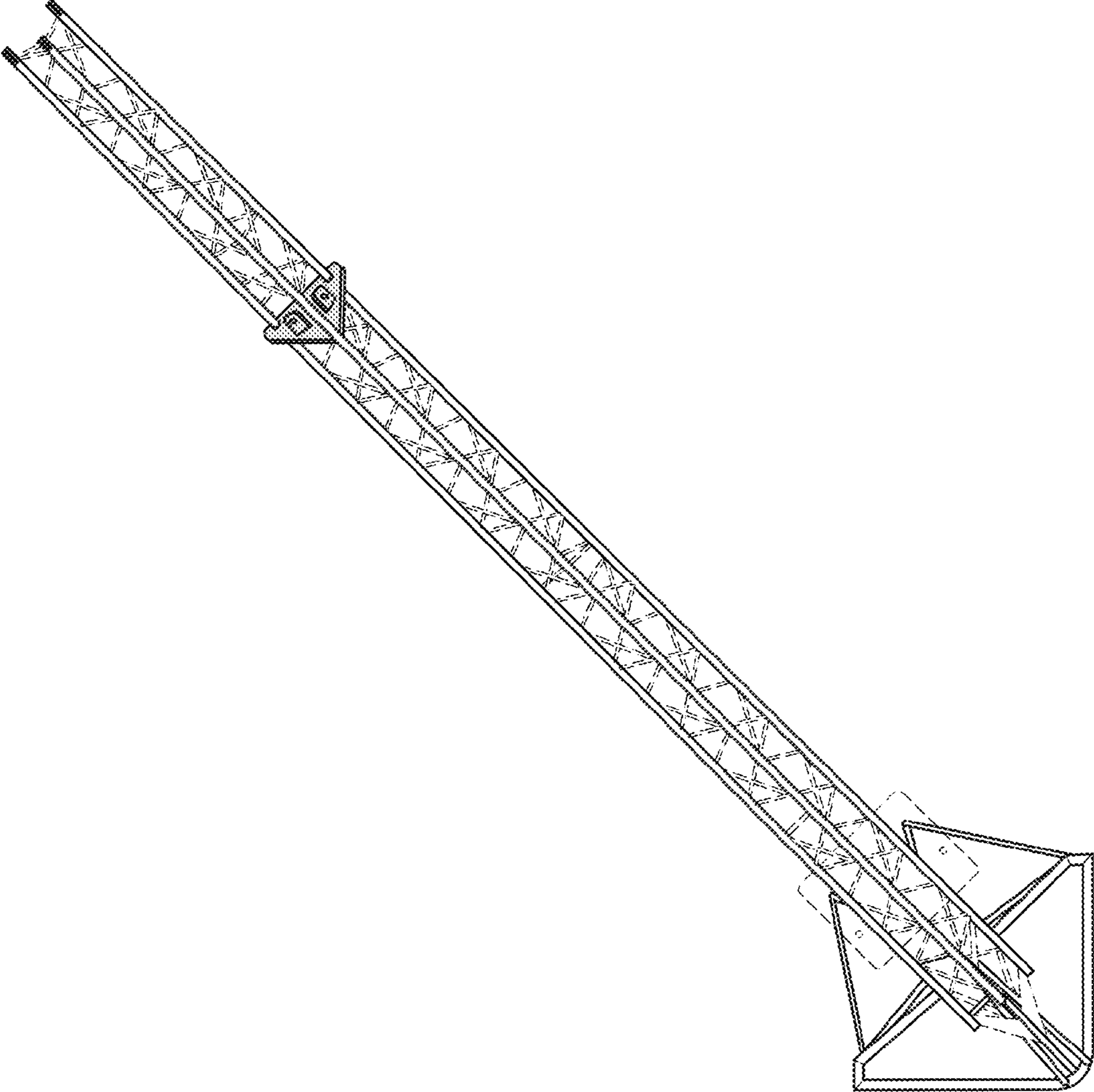


Fig. 8

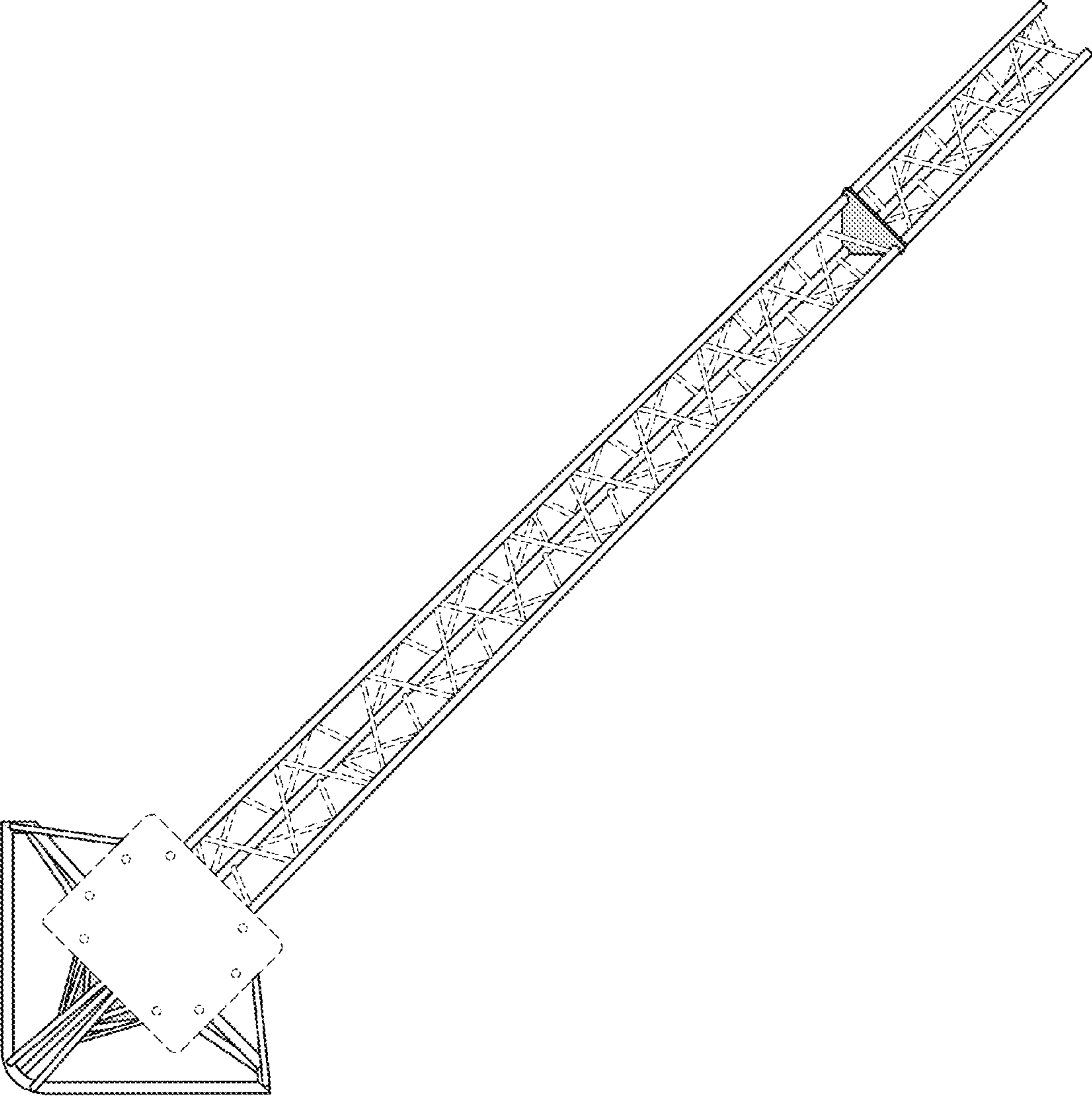


Fig. 9