



US00D738971S

(12) **United States Design Patent**  
**Riddiford et al.**

(10) **Patent No.:** **US D738,971 S**

(45) **Date of Patent:** **\*\* Sep. 15, 2015**

(54) **MOUNT FOR AN ELECTRONIC PERSONAL TRAINING DEVICE**

(71) Applicant: **TomTom International B.V.**,  
Amsterdam (NL)

(72) Inventors: **Martin Riddiford**, London (GB);  
**Anthony Nicholas Pond**, London (GB);  
**Liam James O'Brien**, London (GB)

(73) Assignee: **TomTom International B.V.**,  
Amsterdam (NL)

(\*\*) Term: **14 Years**

(21) Appl. No.: **29/470,168**

(22) Filed: **Oct. 17, 2013**

(30) **Foreign Application Priority Data**

Apr. 17, 2013 (EM) ..... 002222430-0001

(51) **LOC (10) Cl.** ..... **21-02**

(52) **U.S. Cl.**  
USPC ..... **D21/694; D21/697**

(58) **Field of Classification Search**  
USPC ..... 482/3, 7, 8, 50, 100, 900; D21/662,  
D21/663, 665, 667, 668, 670, 694, 696  
See application file for complete search history.

(56) **References Cited**

**U.S. PATENT DOCUMENTS**

5,191,891 A \* 3/1993 Righter ..... 600/523  
D334,897 S \* 4/1993 Katz ..... D10/98  
D419,897 S \* 2/2000 Storck ..... D10/98  
D663,735 S \* 7/2012 Musselman ..... D14/447  
D693,892 S \* 11/2013 Bentley et al. .... D21/796

D696,672 S \* 12/2013 Brittain et al. .... D14/447  
D697,514 S \* 1/2014 Davis et al. .... D14/447  
D706,274 S \* 6/2014 Shubin, Sr. .... D14/447  
D706,785 S \* 6/2014 Brittain et al. .... D14/447  
2009/0048526 A1 \* 2/2009 Aarts et al. .... 600/508

\* cited by examiner

*Primary Examiner* — Philip S Hyder

*Assistant Examiner* — Keith Frank

(57) **CLAIM**

The ornamental design for a mount for an electronic personal training device, as shown and described.

**DESCRIPTION**

FIG. 1 is a perspective view showing the upper surface of the mount.

FIG. 2 is a perspective view showing the lower surface of the mount.

FIG. 3 is a right side view, the left side being a mirror image thereof;

FIG. 4 is a front elevation view thereof;

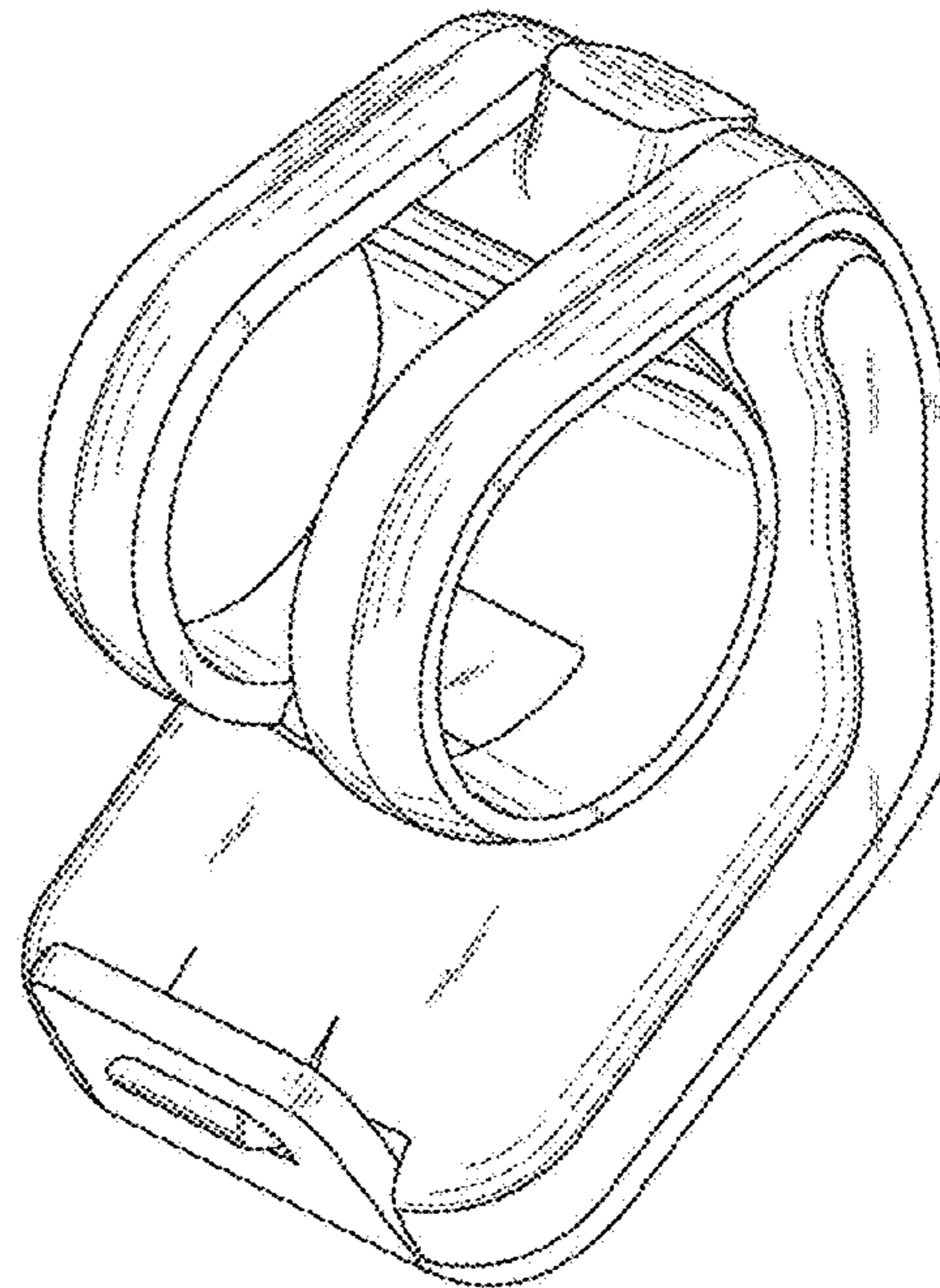
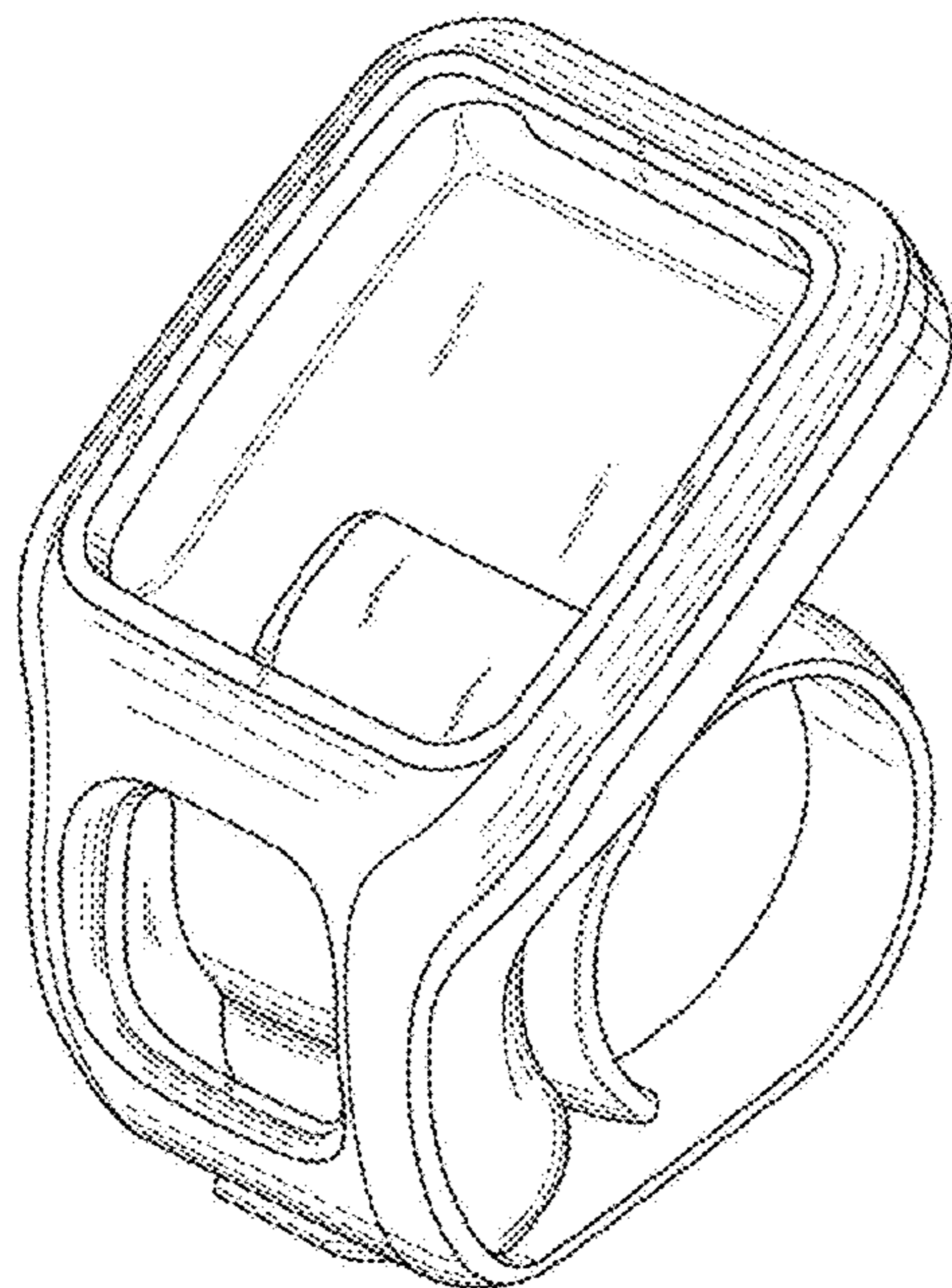
FIG. 5 is a rear elevation view thereof;

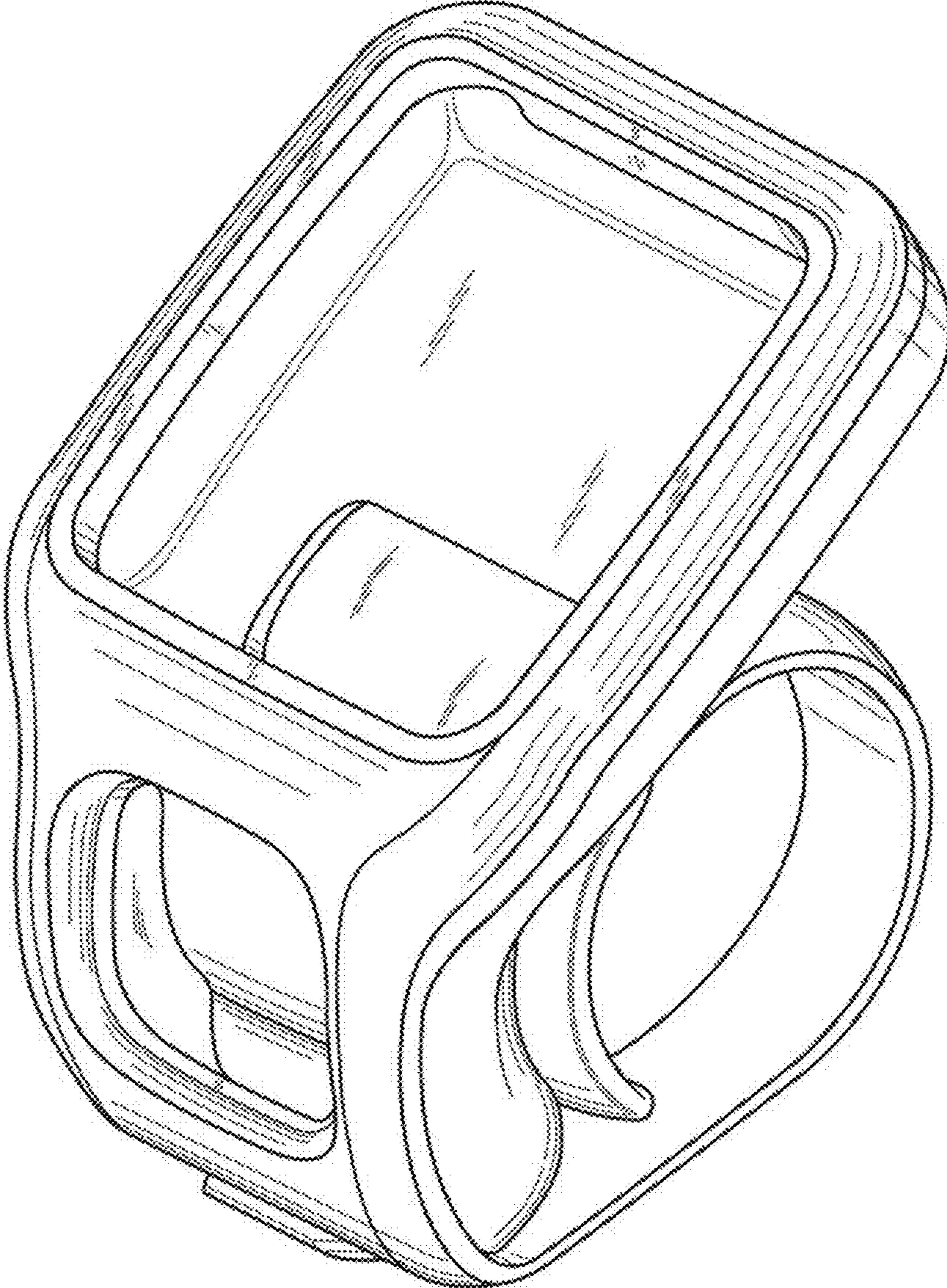
FIG. 6 is a bottom plan view thereof; and,

FIG. 7 is a top plan view thereof.

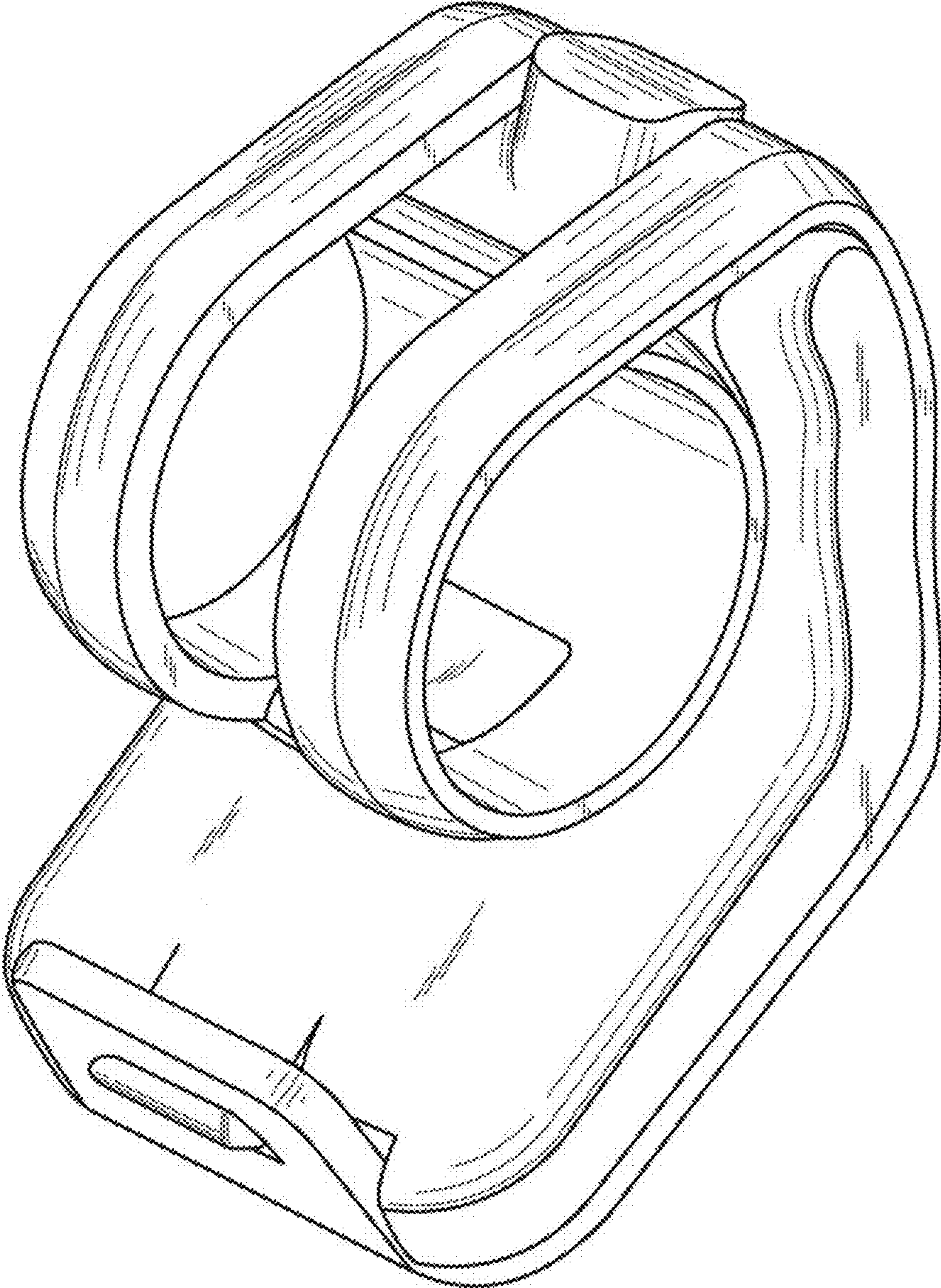
The design comprises a mount, preferably for attachment to a bicycle, capable of supporting a an electronic personal training device or module thereof; the module comprising a display panel for providing information to a user while performing activities such as running, swimming, cycling or the like, and a 4-way button or other user input device for receiving commands from the user. The module may comprise location determining means, e.g. a global navigation satellite system (GNSS) receiver.

**1 Claim, 5 Drawing Sheets**

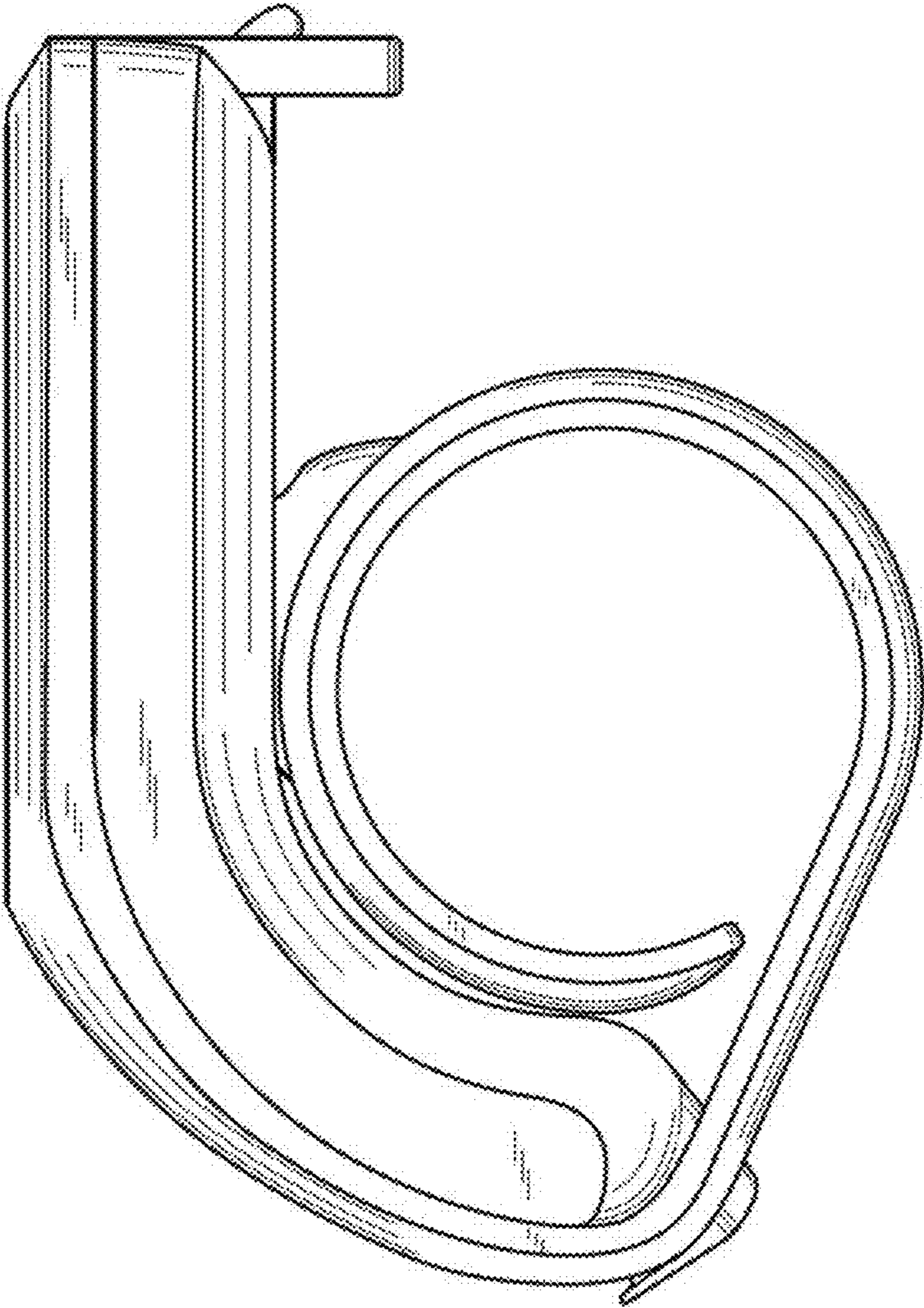




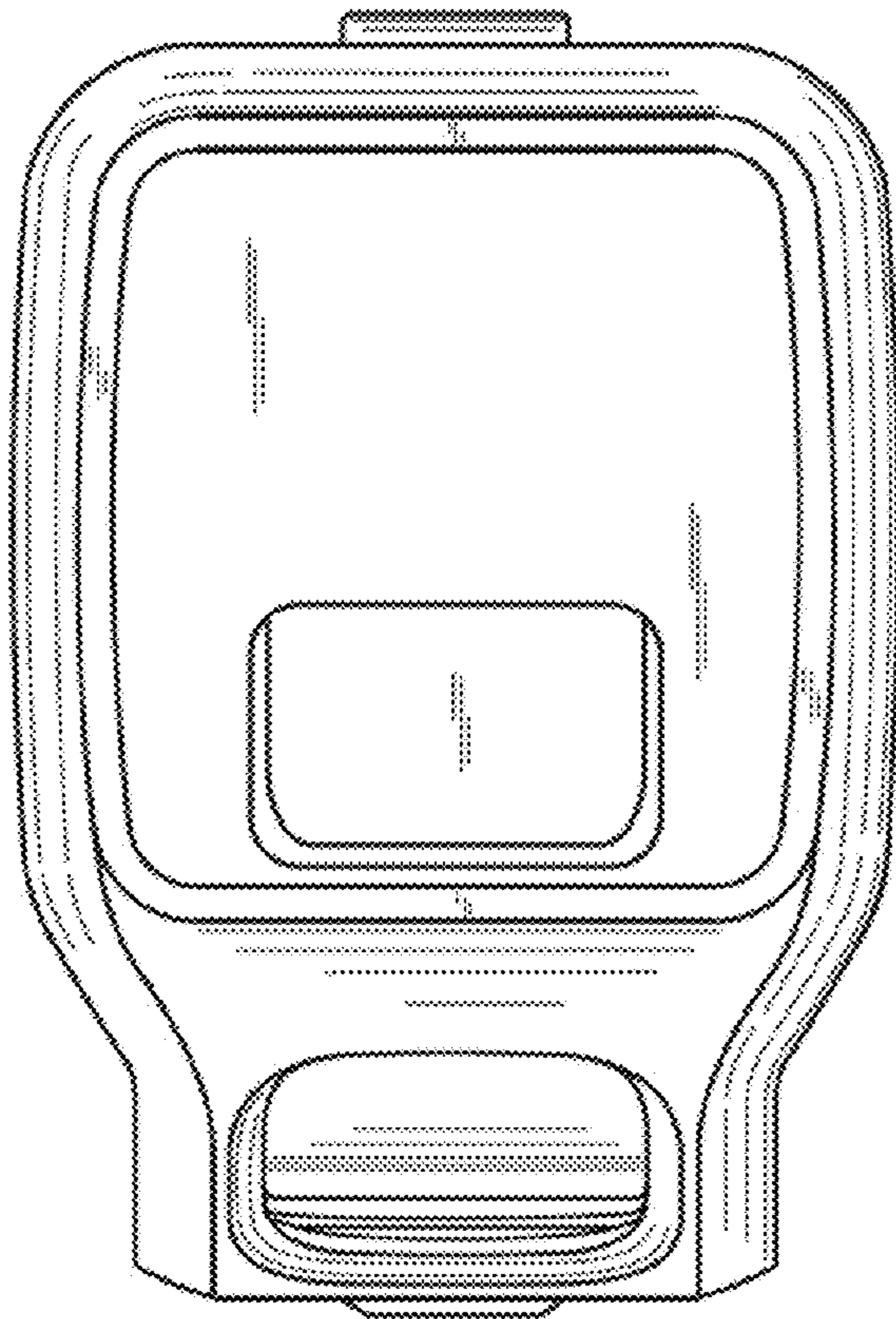
**Figure 1**



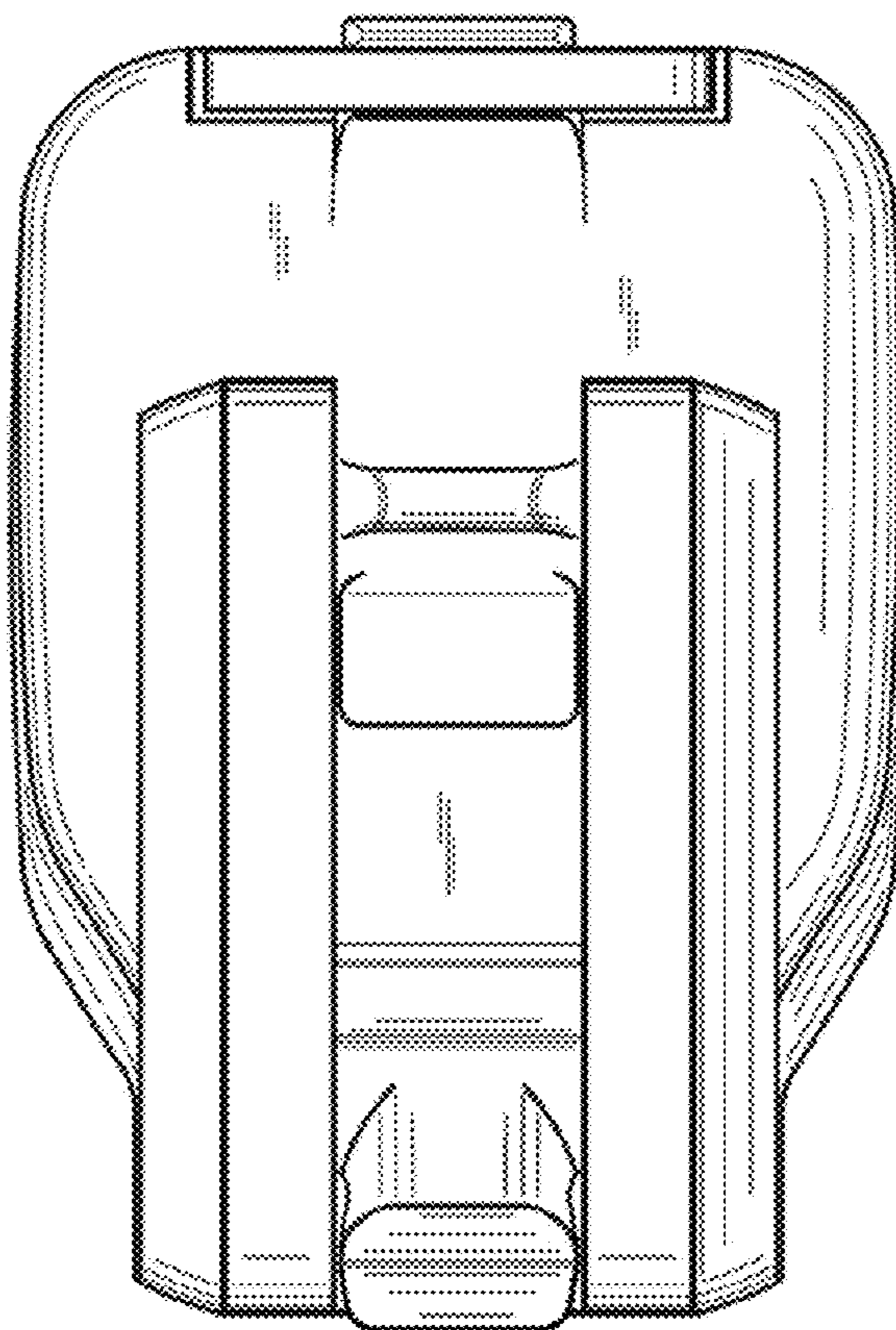
**Figure 2**



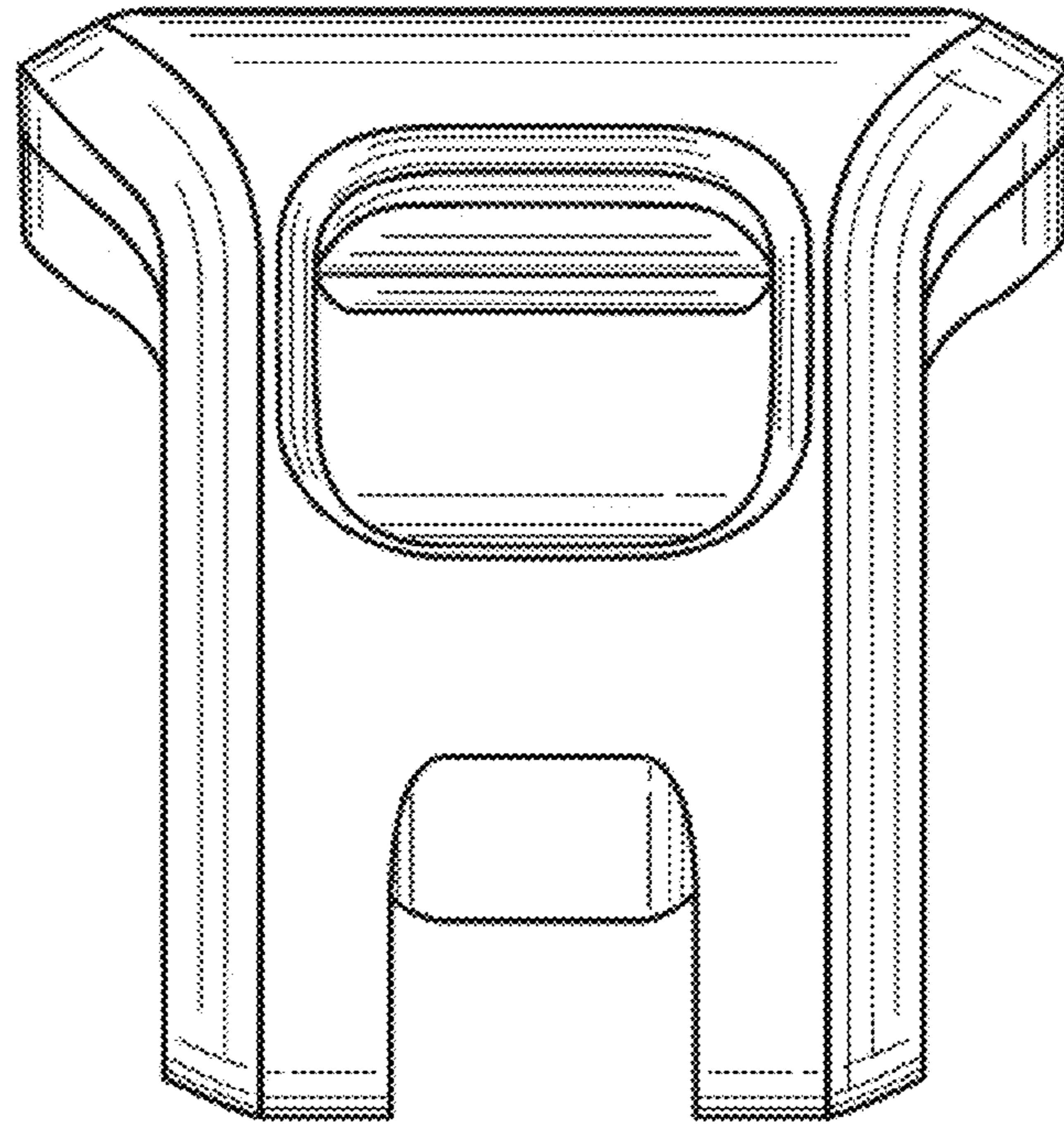
**Figure 3**



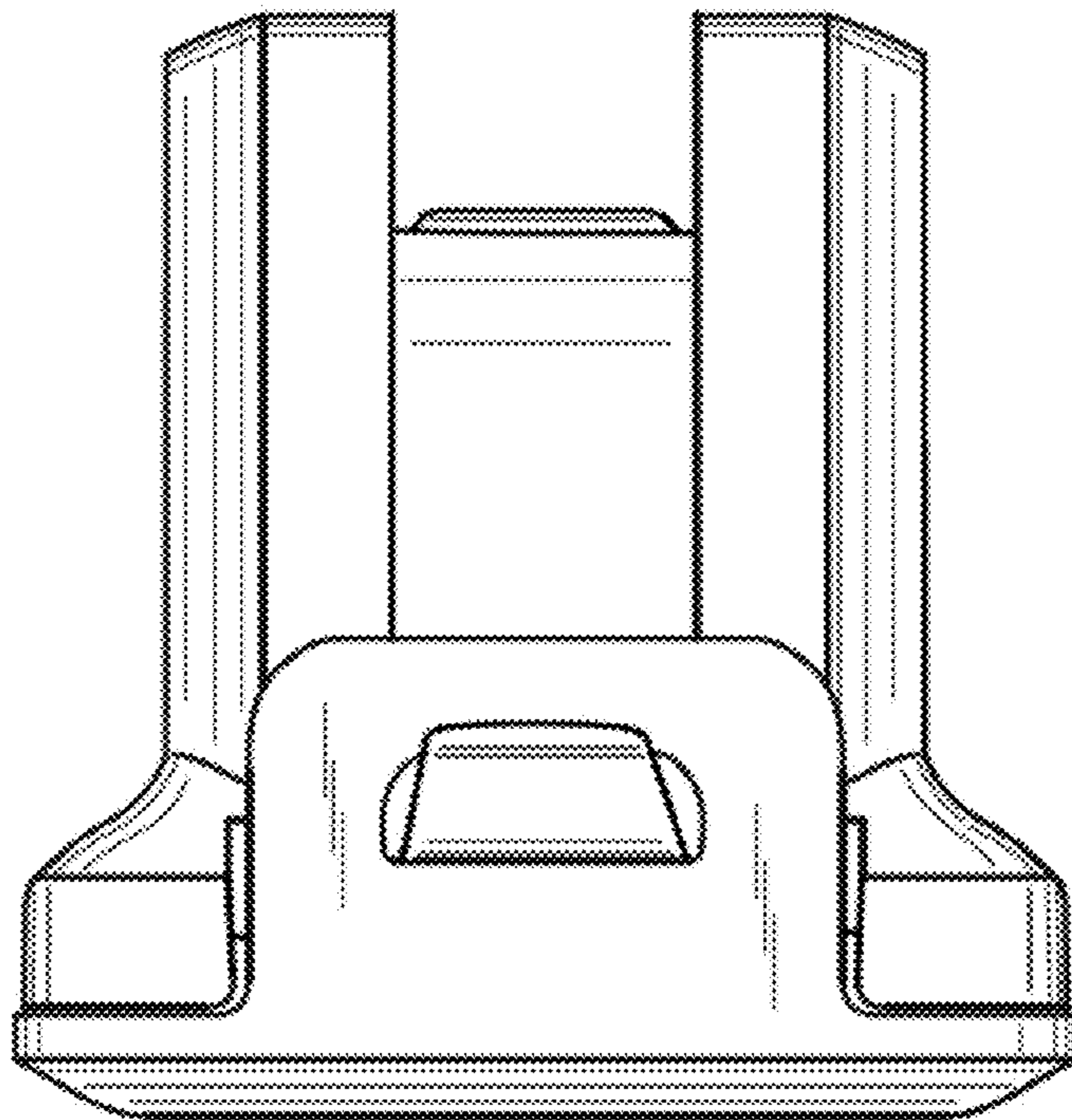
**Figure 4**



**Figure 5**



**Figure 6**



**Figure 7**