



US00D738969S

(12) **United States Design Patent**
Smith

(10) **Patent No.:** **US D738,969 S**

(45) **Date of Patent:** **** Sep. 15, 2015**

(54) **FITNESS DEVICE**

(71) Applicant: **Jonathan Smith**, Nashville, TN (US)

(72) Inventor: **Jonathan Smith**, Nashville, TN (US)

(**) Term: **14 Years**

(21) Appl. No.: **29/484,976**

(22) Filed: **Mar. 14, 2014**

(51) **LOC (10) Cl.** **21-02**

(52) **U.S. Cl.**

USPC **D21/662**

(58) **Field of Classification Search**

USPC D21/688, 662, 686, 679, 691, 682, 694,
D21/753, 400, 423, 775, 726, 672, 684,
D21/681; D24/211, 212, 214; 601/120;
36/134; 29/428; 12/142 P; 482/50, 106,
482/139, 46, 107, 129, 121, 102, 45, 92, 93,
482/44, 108, 110, 111, 94, 105, 109, 49,
482/141; 604/1; 446/170; 135/77; D7/682,
D7/669; D8/376, 378, 77; D3/7; D10/81;
D25/126; 473/256

See application file for complete search history.

D599,417 S *	9/2009	Friedman et al.	D21/662
D631,106 S *	1/2011	Zemel	D21/662
D651,669 S *	1/2012	Garland et al.	D21/662
D653,714 S *	2/2012	Meininger et al.	D21/662
D654,544 S *	2/2012	Sliemers	D21/662
D654,545 S *	2/2012	Richard	D21/662
D662,997 S *	7/2012	Su	D21/662
D666,684 S *	9/2012	Meininger et al.	D21/662
D671,998 S *	12/2012	Rodriguez, Jr.	D21/686
D685,038 S *	6/2013	Crain et al.	D21/662
D695,364 S *	12/2013	Khalil	D21/662
D712,987 S *	9/2014	Salzedo et al.	D21/662
8,827,879 B2 *	9/2014	Nicholas	482/132
D725,725 S *	3/2015	White	D21/682
2007/0184951 A1 *	8/2007	James et al.	482/141
2007/0298947 A1 *	12/2007	Eksteen	482/141
2010/0130337 A1 *	5/2010	Stewart	482/121
2014/0206509 A1 *	7/2014	Hodes et al.	482/106

* cited by examiner

Primary Examiner — Robert M Spear

Assistant Examiner — Ryan Harvey

(74) *Attorney, Agent, or Firm* — Stephen J. Stark

(57) **CLAIM**

The ornamental design for an fitness device, as shown and described.

DESCRIPTION

FIG. 1 is a top perspective view of a fitness device embodying my new design;

FIG. 2 is a top plan view thereof;

FIG. 3 is a front elevation view thereof, the rear elevation view being identical thereto;

FIG. 4 is a left side elevation view thereof; and,

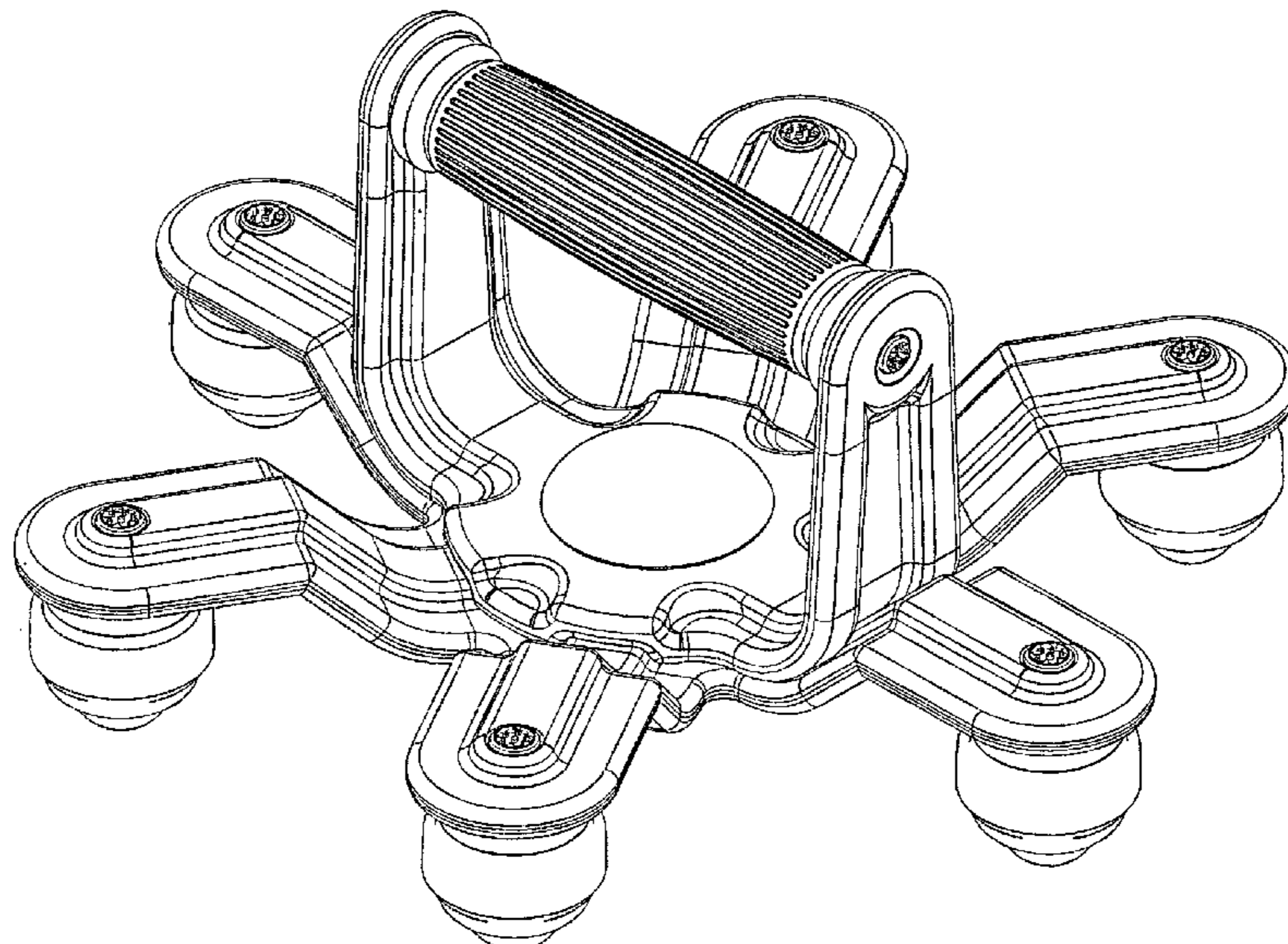
FIG. 5 is a bottom plan view thereof.

1 Claim, 5 Drawing Sheets

(56) **References Cited**

U.S. PATENT DOCUMENTS

D479,289 S *	9/2003	Turner	D21/662
D523,493 S *	6/2006	Horton	D21/662
D576,693 S *	9/2008	Khubani	D21/686
D579,503 S *	10/2008	Hauser et al.	D21/662
D580,998 S *	11/2008	Lin	D21/686
D585,947 S *	2/2009	Royster	D21/662
D593,168 S *	5/2009	Khubani	D21/662
D597,153 S *	7/2009	Friedman et al.	D21/662



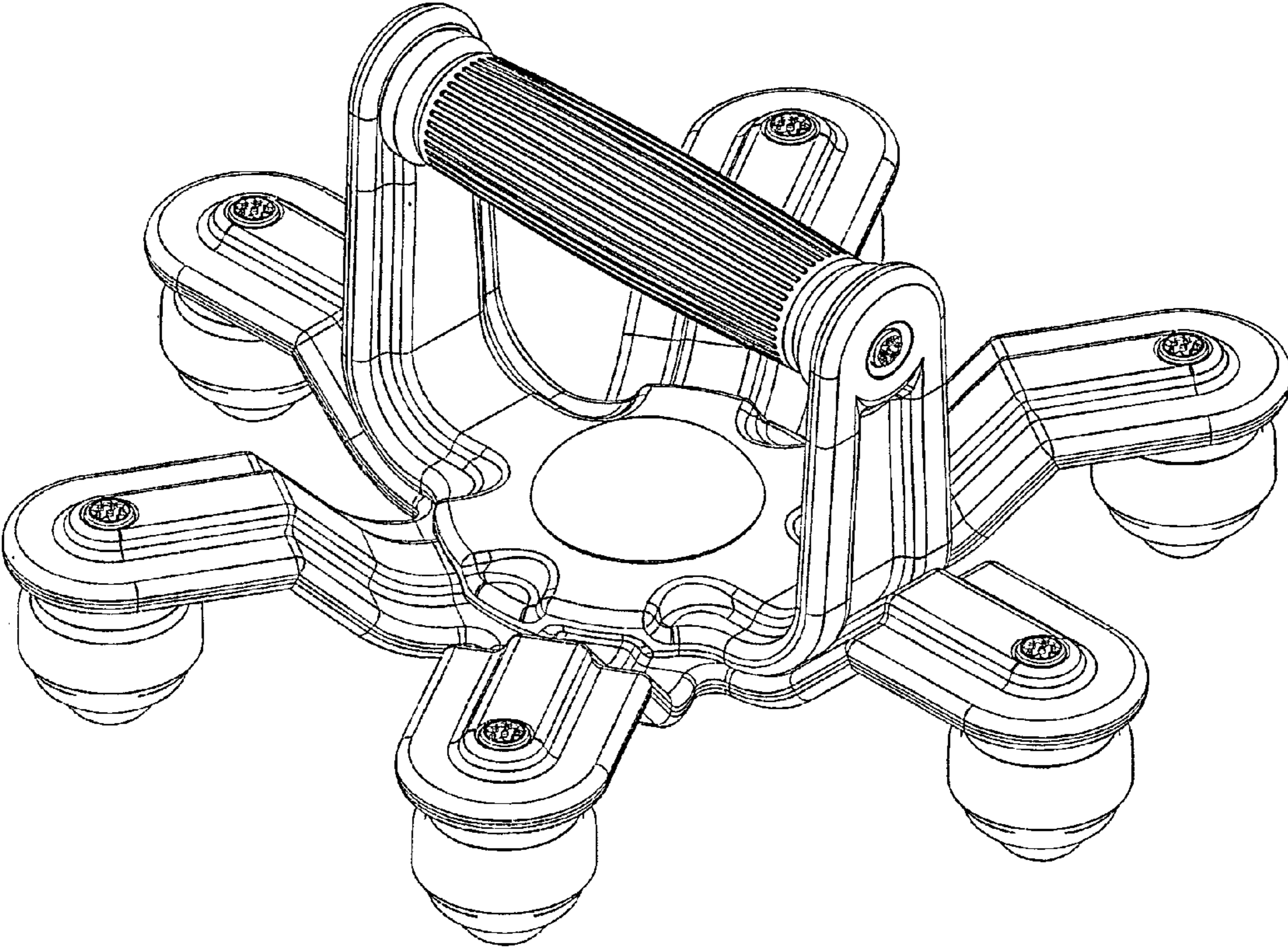


Fig. 1

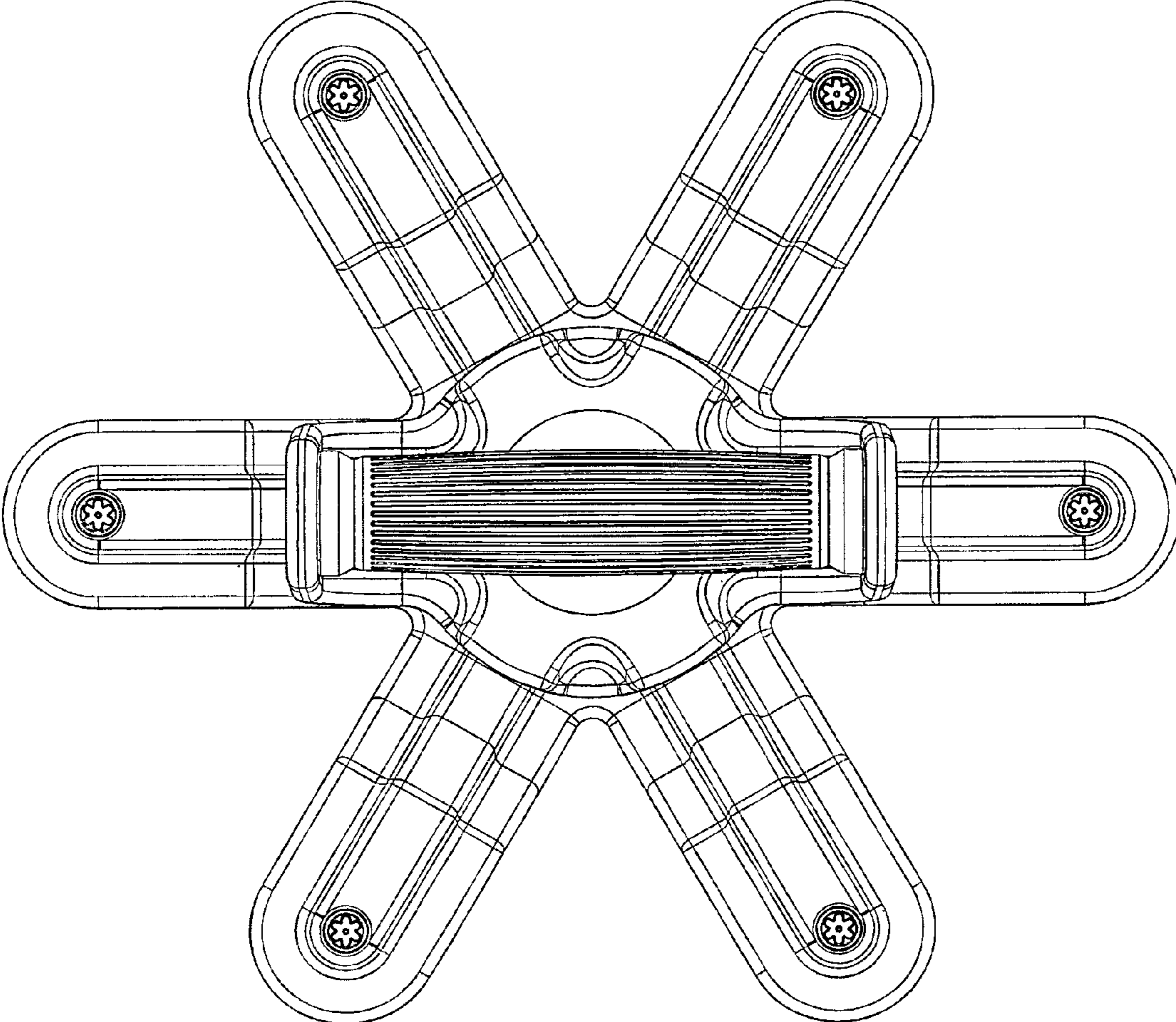


Fig. 2

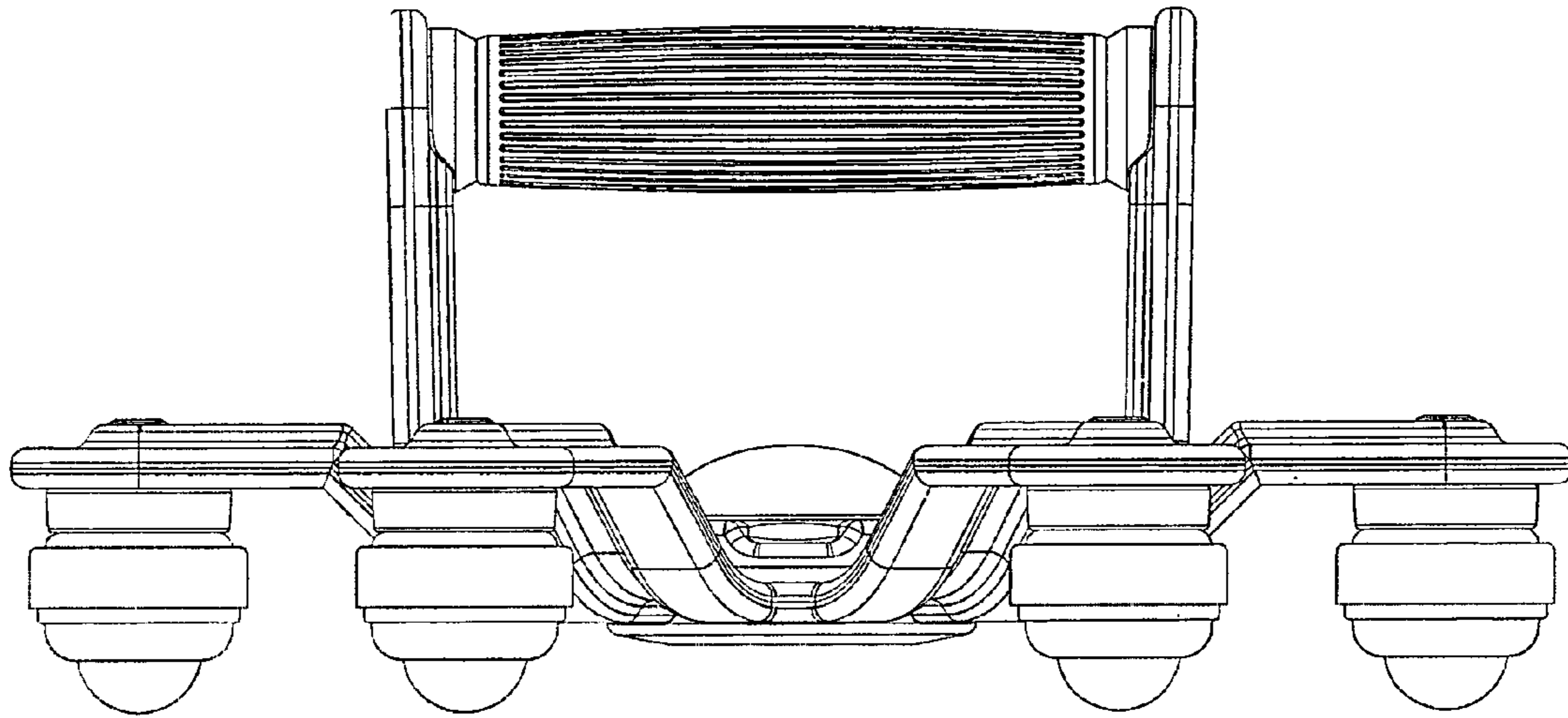


Fig. 3

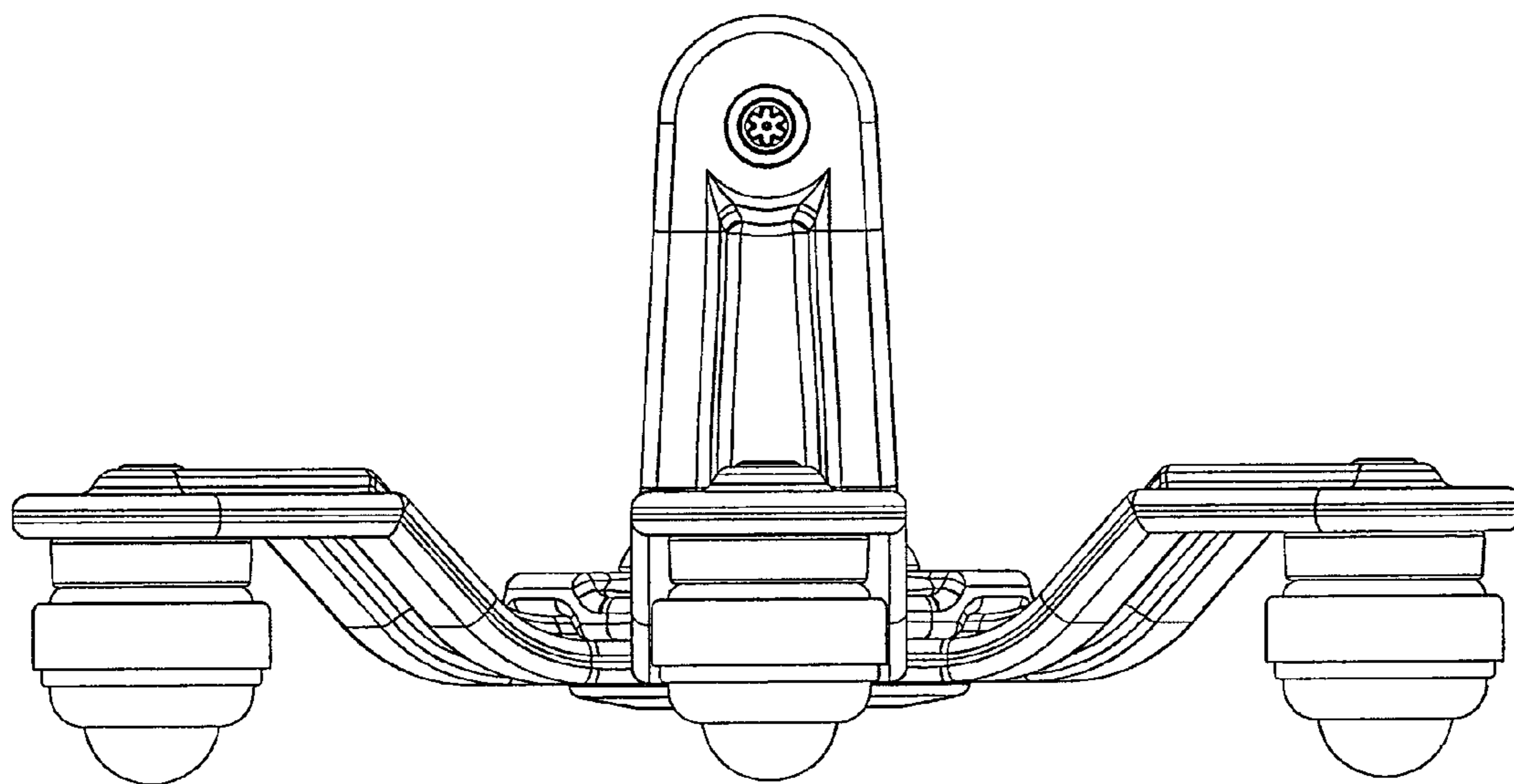


Fig. 4

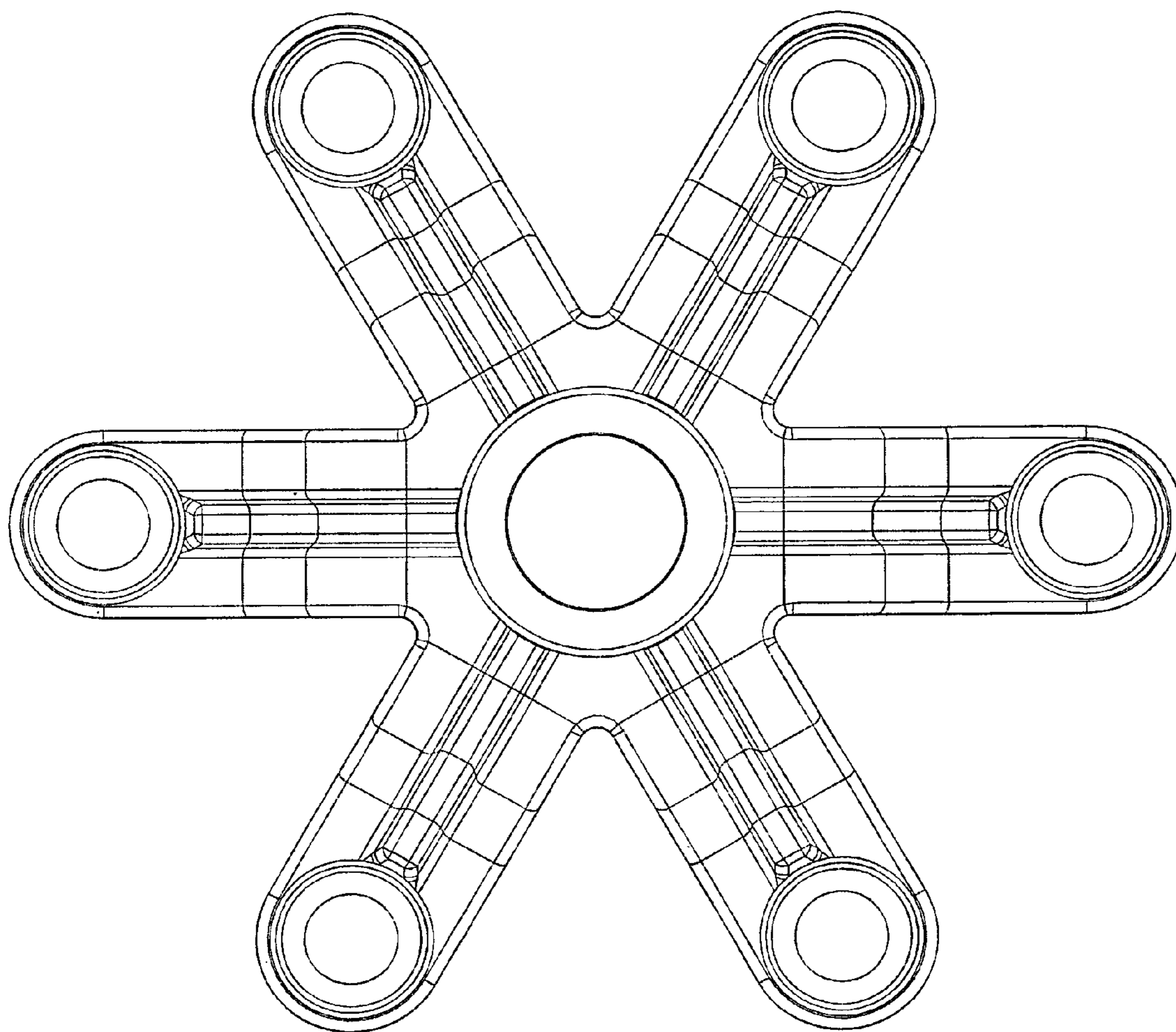


Fig. 5