



US00D738966S

(12) **United States Design Patent**
Chen

(10) **Patent No.:** **US D738,966 S**

(45) **Date of Patent:** **** Sep. 15, 2015**

(54) **MINIATURE TOY**

(71) Applicant: **Xingliang Chen**, Shantou (CN)

(72) Inventor: **Xingliang Chen**, Shantou (CN)

(**) Term: **14 Years**

(21) Appl. No.: **29/501,292**

(22) Filed: **Sep. 3, 2014**

(51) **LOC (10) Cl.** **21-03**

(52) **U.S. Cl.**
USPC **D21/621**

(58) **Field of Classification Search**

USPC D21/621, 623, 624, 625, 627, 628, 630,
D21/631, 633; 446/268, 360, 361, 376, 379,
446/382-384; D6/595-601

CPC A63H 3/02; A63H 3/04; A63H 3/06;
A63H 3/08; A63H 3/10

See application file for complete search history.

(56) **References Cited**

U.S. PATENT DOCUMENTS

2,106,148	A	*	1/1938	Kellner	446/97
D210,471	S	*	3/1968	Ach	D21/621
D239,846	S	*	5/1976	Knudsen	D21/621
D248,881	S	*	8/1978	Goldfarb et al.	D21/621
D253,711	S	*	12/1979	Christiansen et al.	D21/621
4,203,248	A		5/1980	Tapdrup		
4,205,482	A		6/1980	Christiansen et al.		
D278,735	S	*	5/1985	Nielsen	D21/631
D290,482	S		6/1987	Ryaa et al.		
D317,796	S	*	6/1991	Laursen	D21/621
D352,078	S	*	11/1994	Bertrand	D21/621
D353,856	S	*	12/1994	Ryaa et al.	D21/621
D420,064	S	*	2/2000	Poirier et al.	D21/621

D539,364	S	*	3/2007	Sofussen	D21/621
D621,886	S	*	8/2010	Lee	D21/621
D672,413	S		12/2012	Dubreuil et al.		
D677,744	S	*	3/2013	Yu	D21/578
D689,567	S		9/2013	Pilgaard et al.		
D689,568	S		9/2013	Pilgaard et al.		

* cited by examiner

Primary Examiner — Zenia Bennett

(74) *Attorney, Agent, or Firm* — The Patel Law Firm, P.C.;
Natu J. Patel

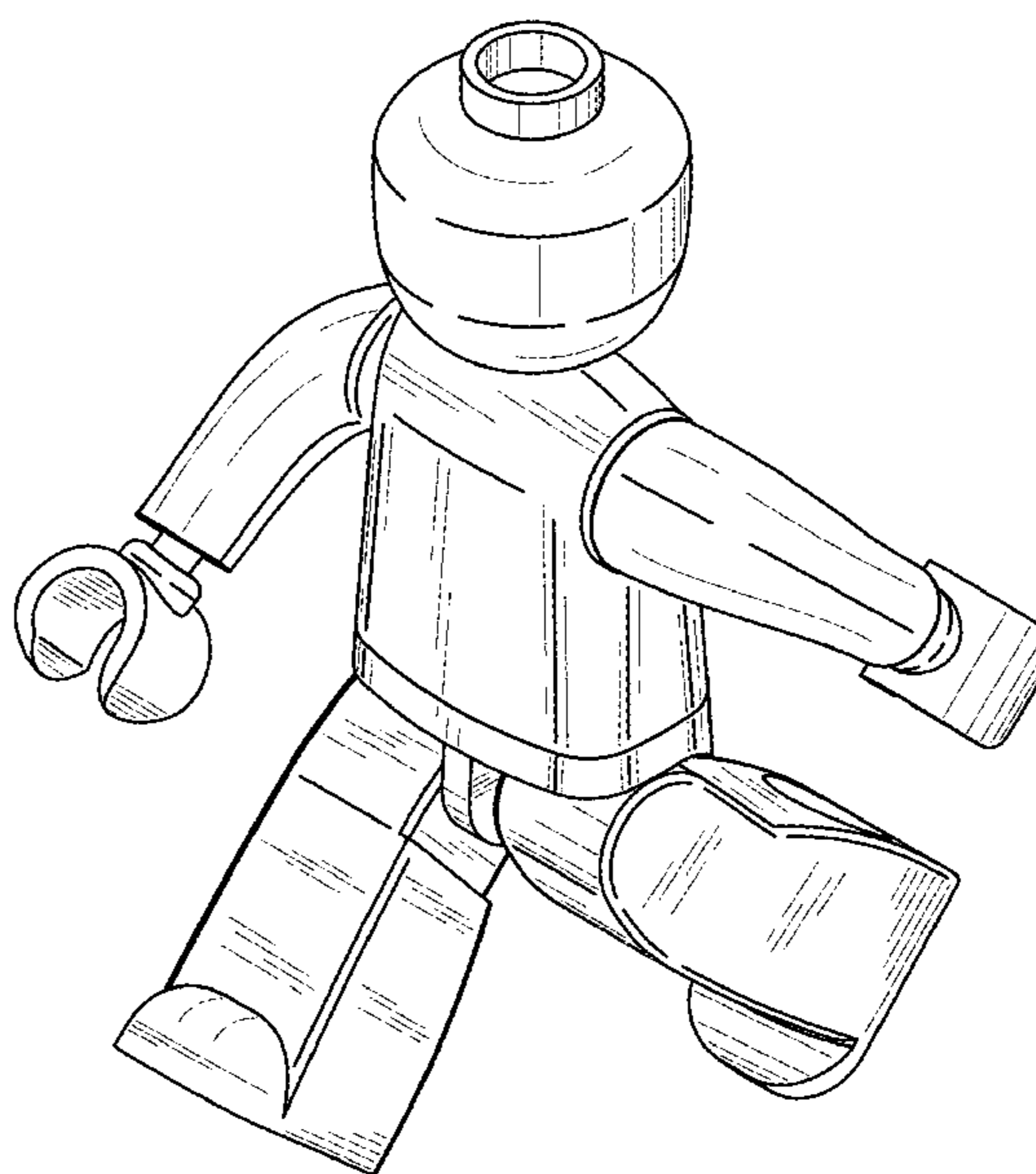
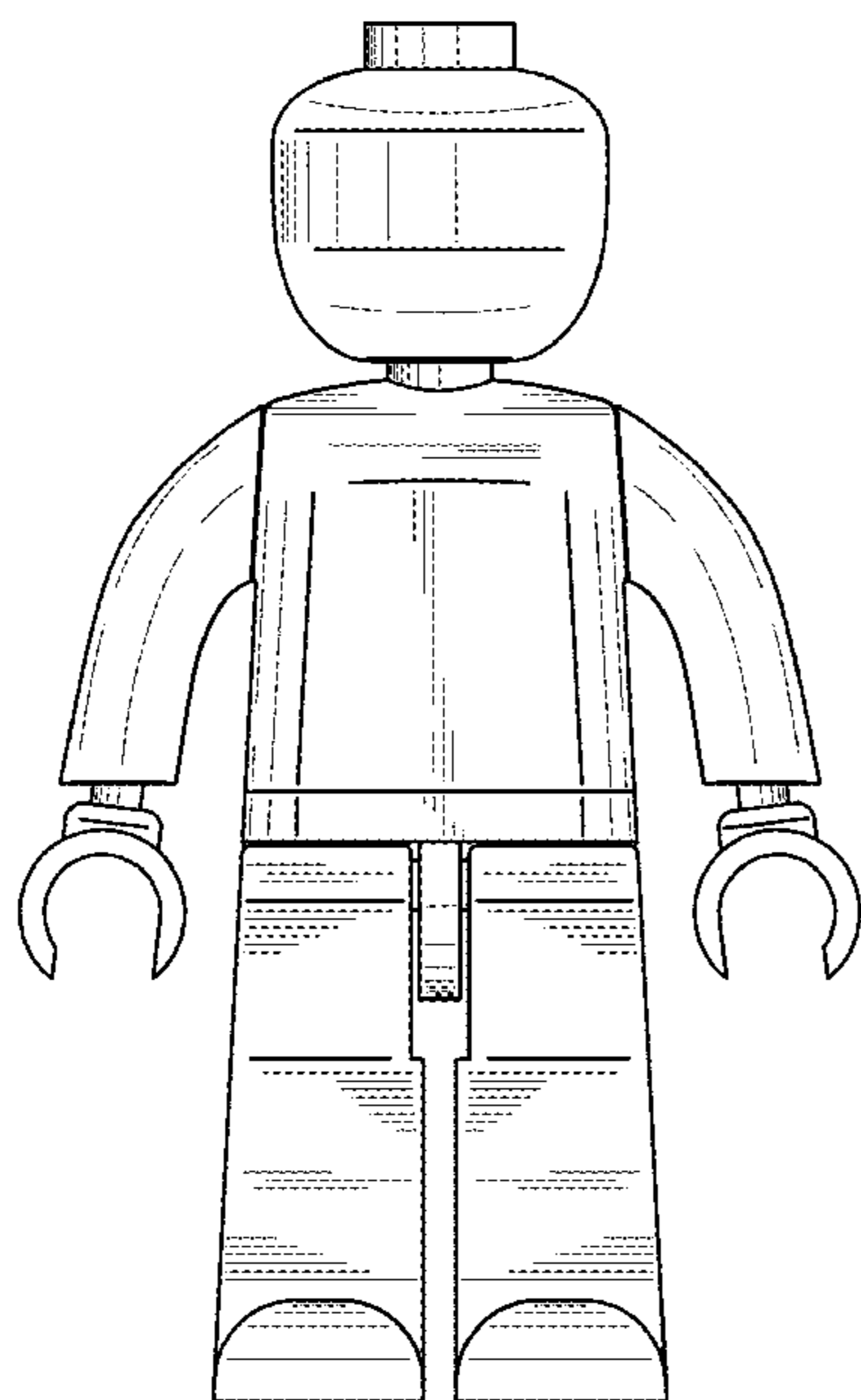
(57) **CLAIM**

The ornamental design for a miniature toy, as shown and described.

DESCRIPTION

FIG. 1 is a front elevation view of the miniature toy according to an embodiment of the new design;
 FIG. 2 is a side elevation view thereof;
 FIG. 3 is a rear elevation view thereof;
 FIG. 4 is a top plan view thereof;
 FIG. 5 is a bottom plan view thereof;
 FIG. 6 is a rear perspective view in one position of the miniature toy;
 FIG. 7 is front perspective view of the miniature toy in the position of FIG. 6;
 FIG. 8 is a rear perspective view in a second position of the miniature toy;
 FIG. 9 is a front perspective view of the miniature toy in the position of FIGS. 8; and,
 FIG. 10 is a front elevation view of the miniature toy with the upper body rotated with respect to the lower body and legs.

1 Claim, 9 Drawing Sheets



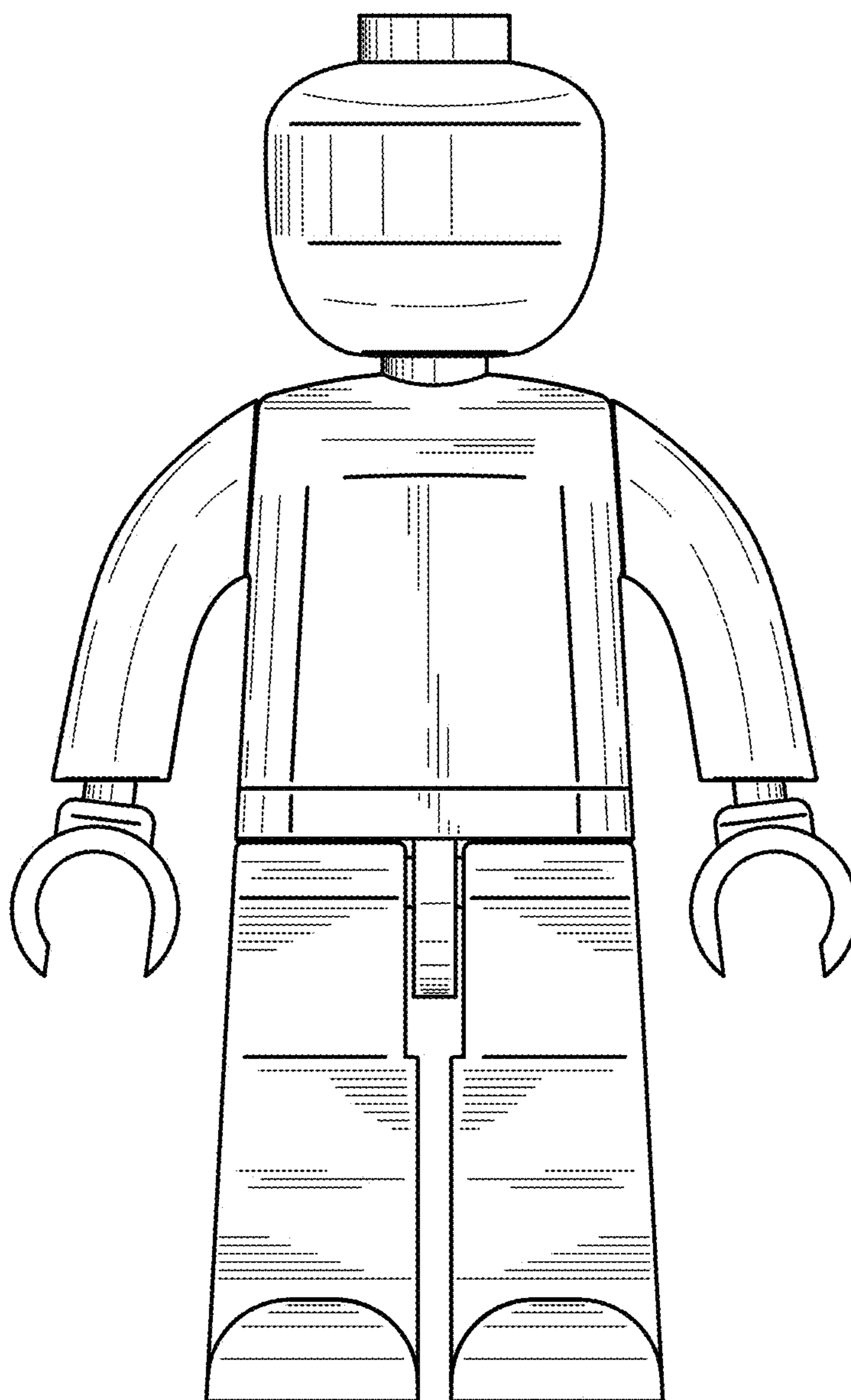


FIG. 1

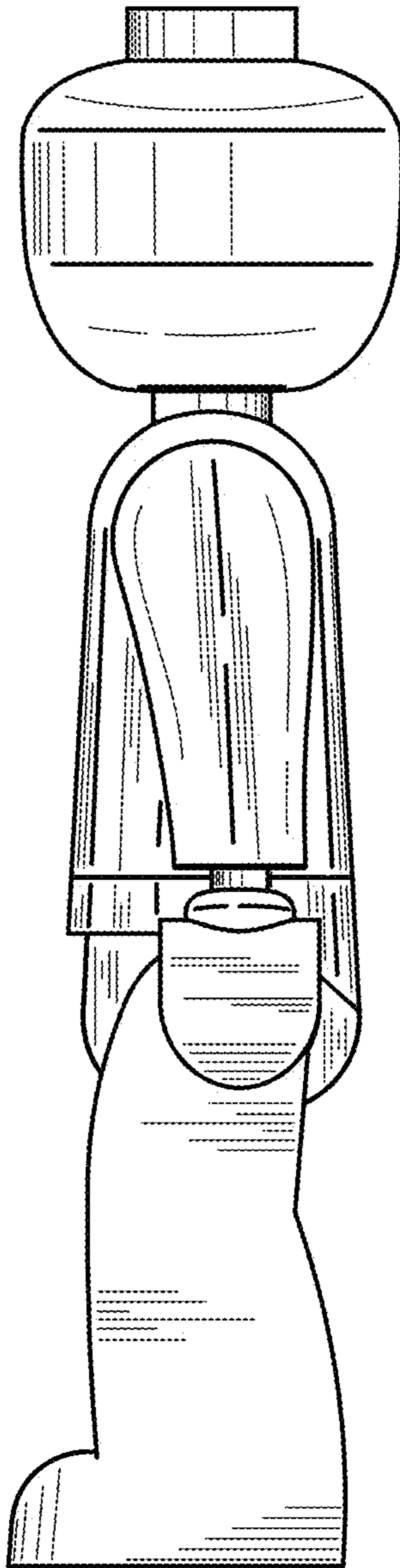


FIG. 2

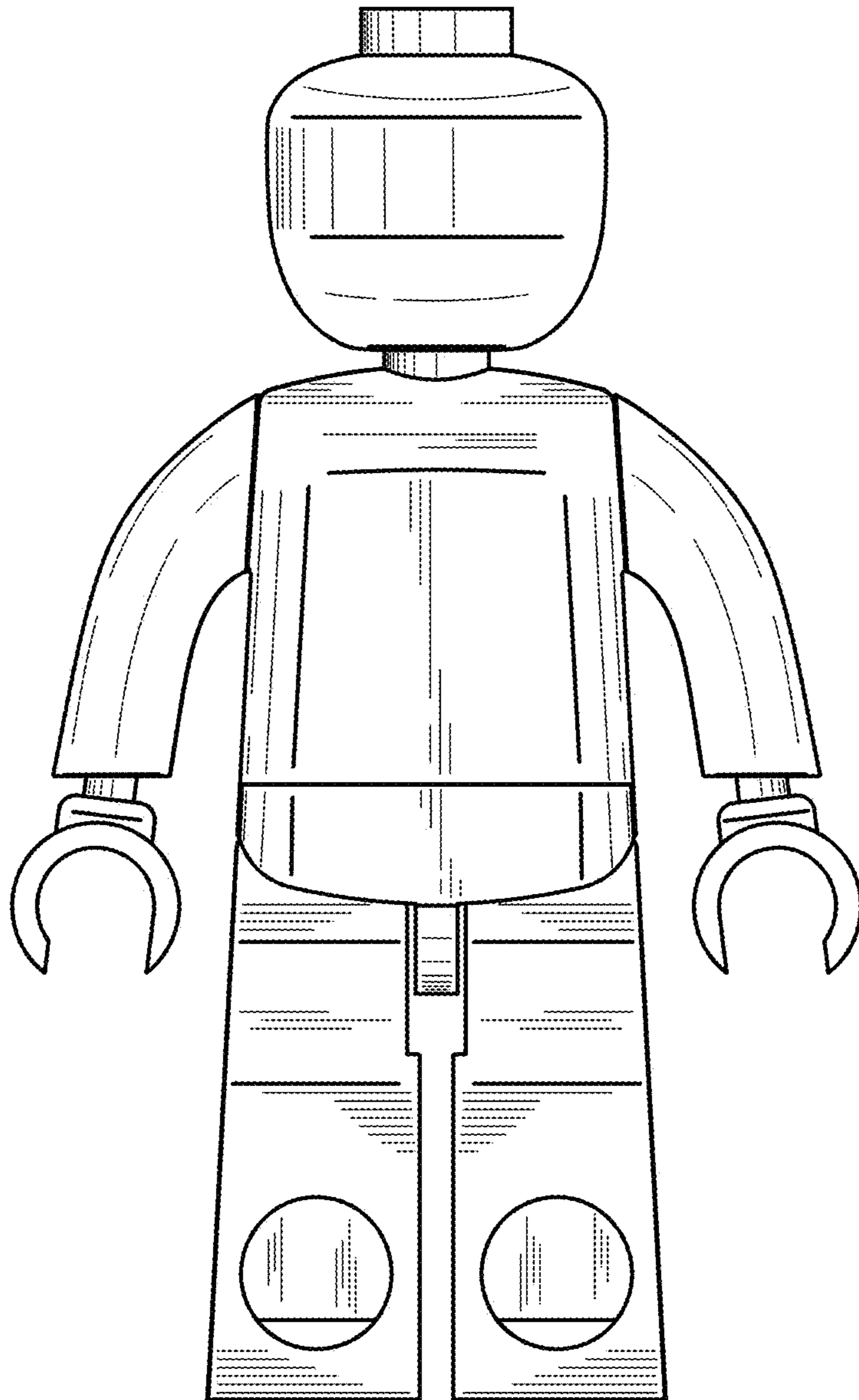


FIG. 3

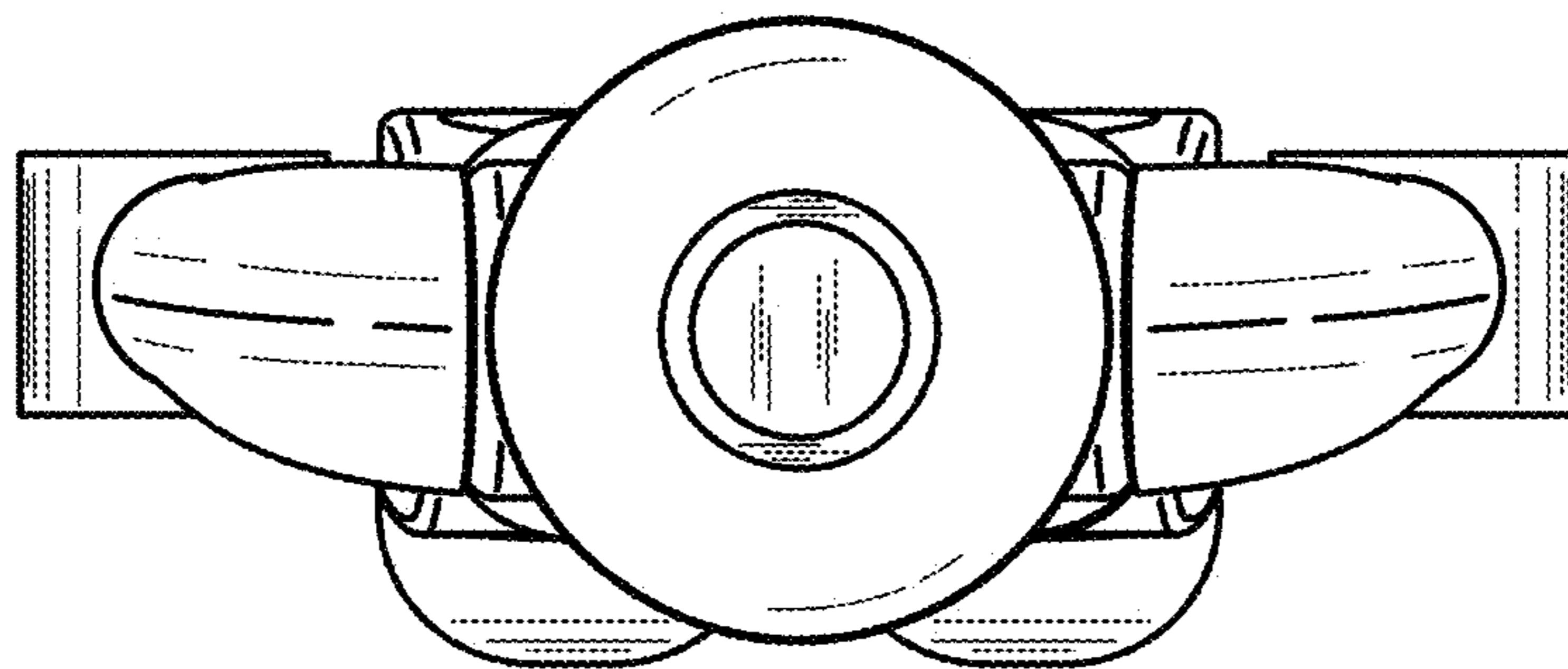


FIG. 4

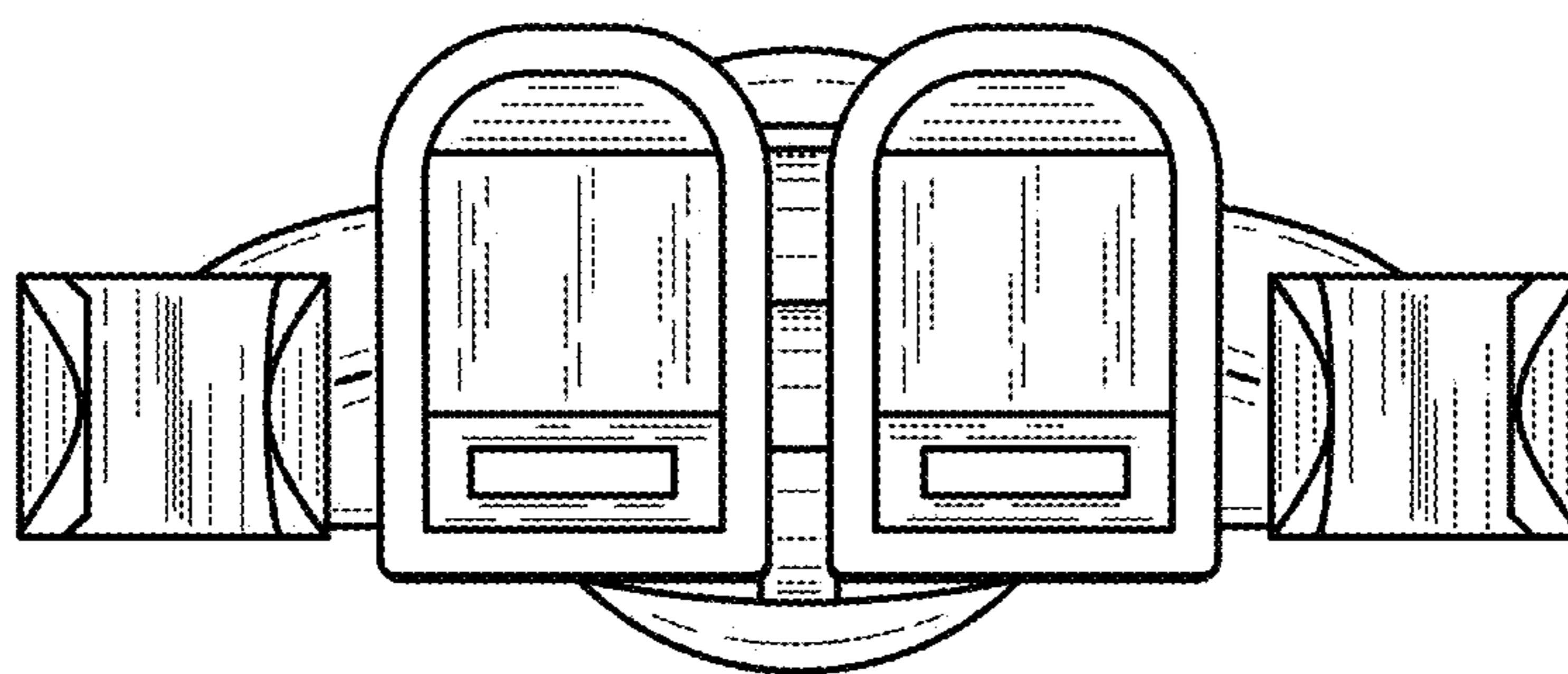


FIG. 5

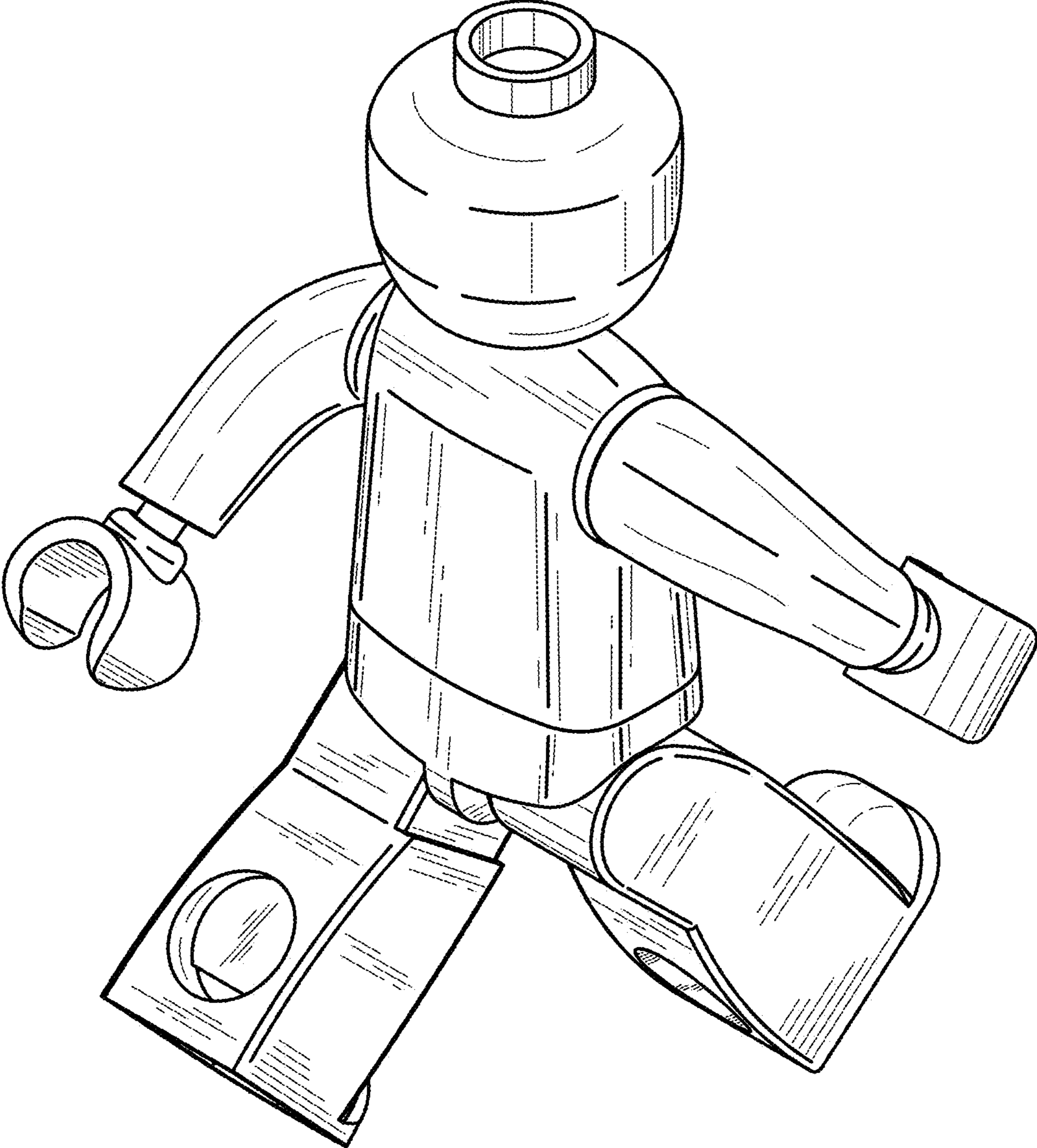


FIG. 6

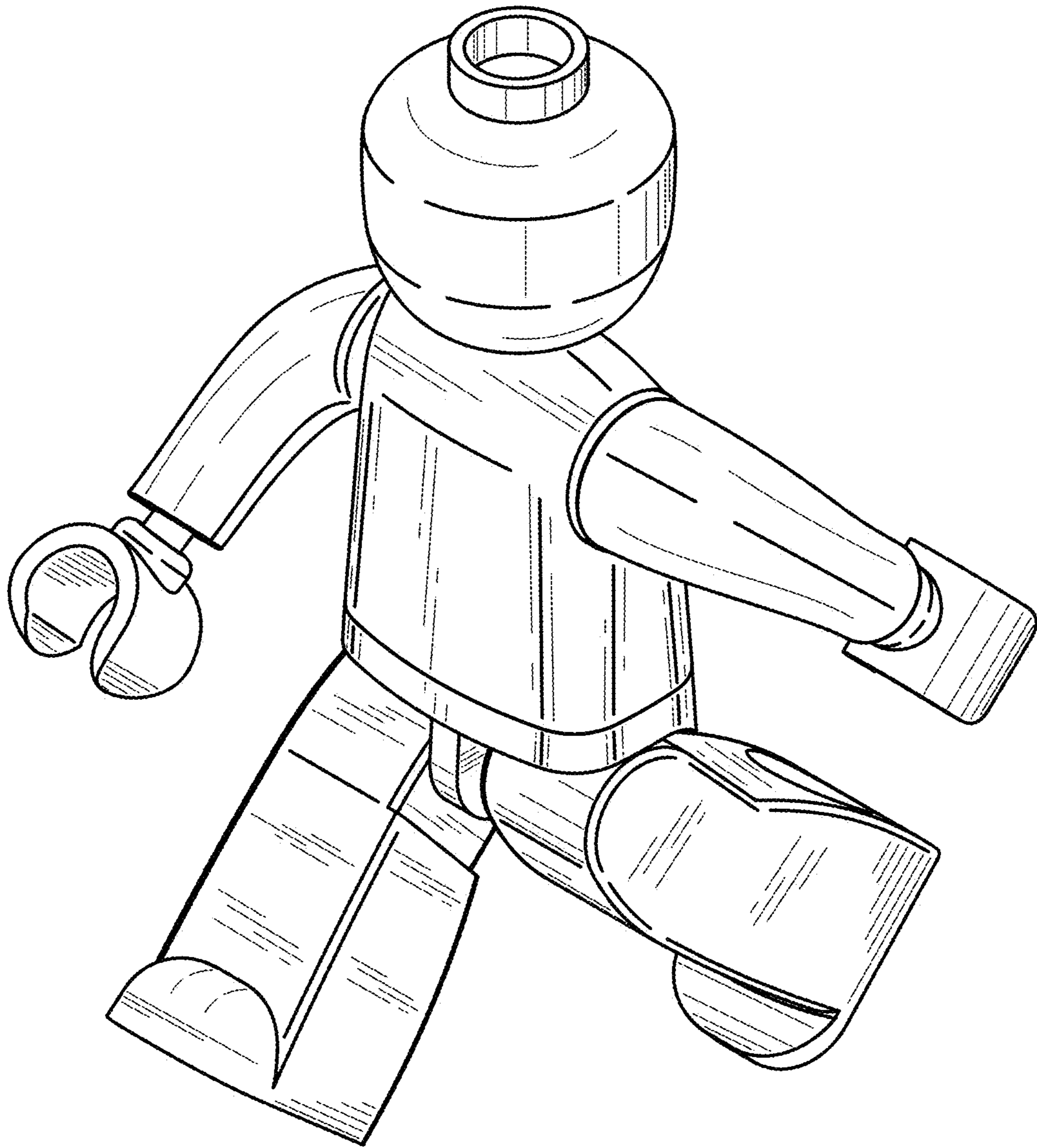


FIG. 7

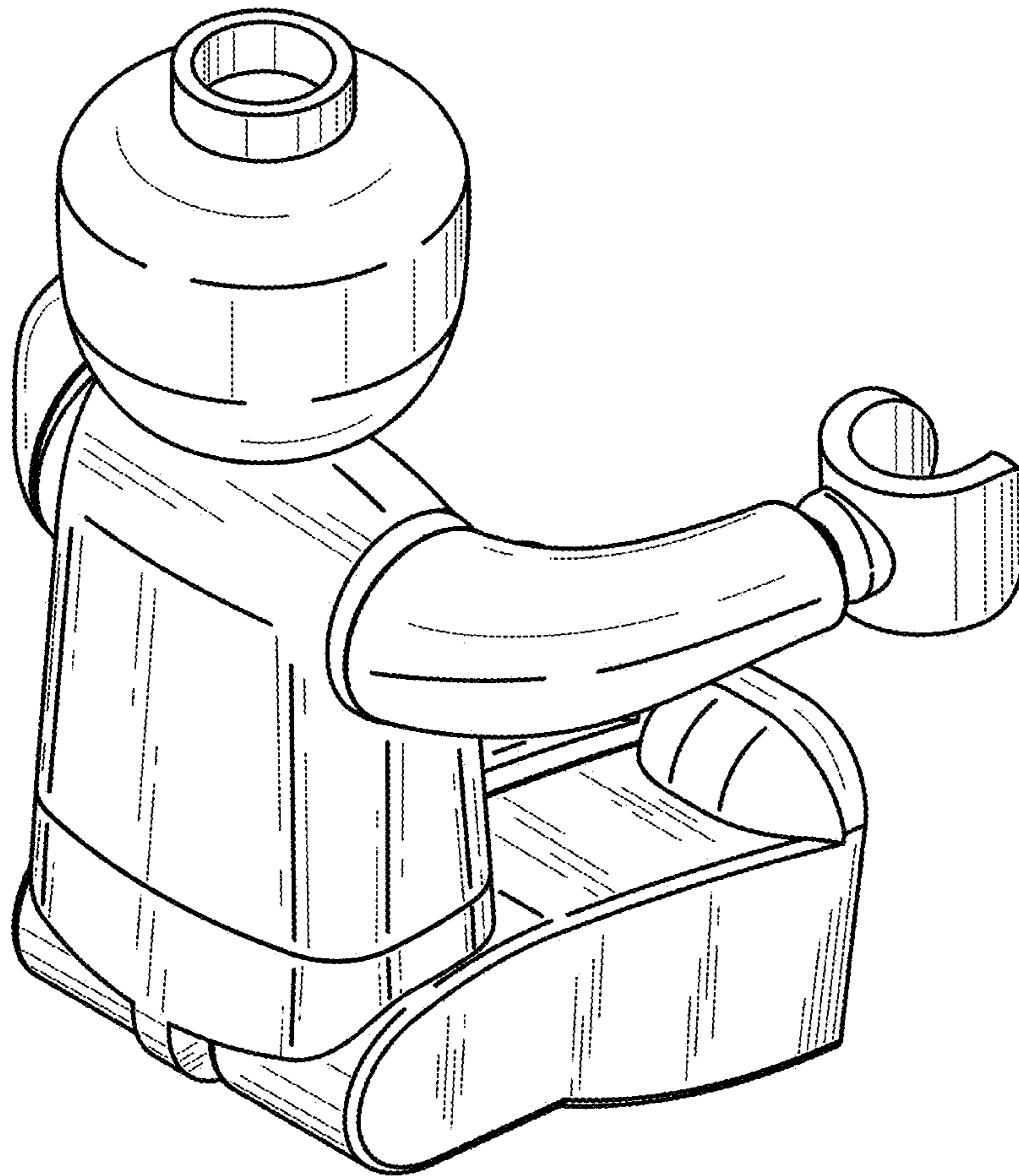


FIG. 8

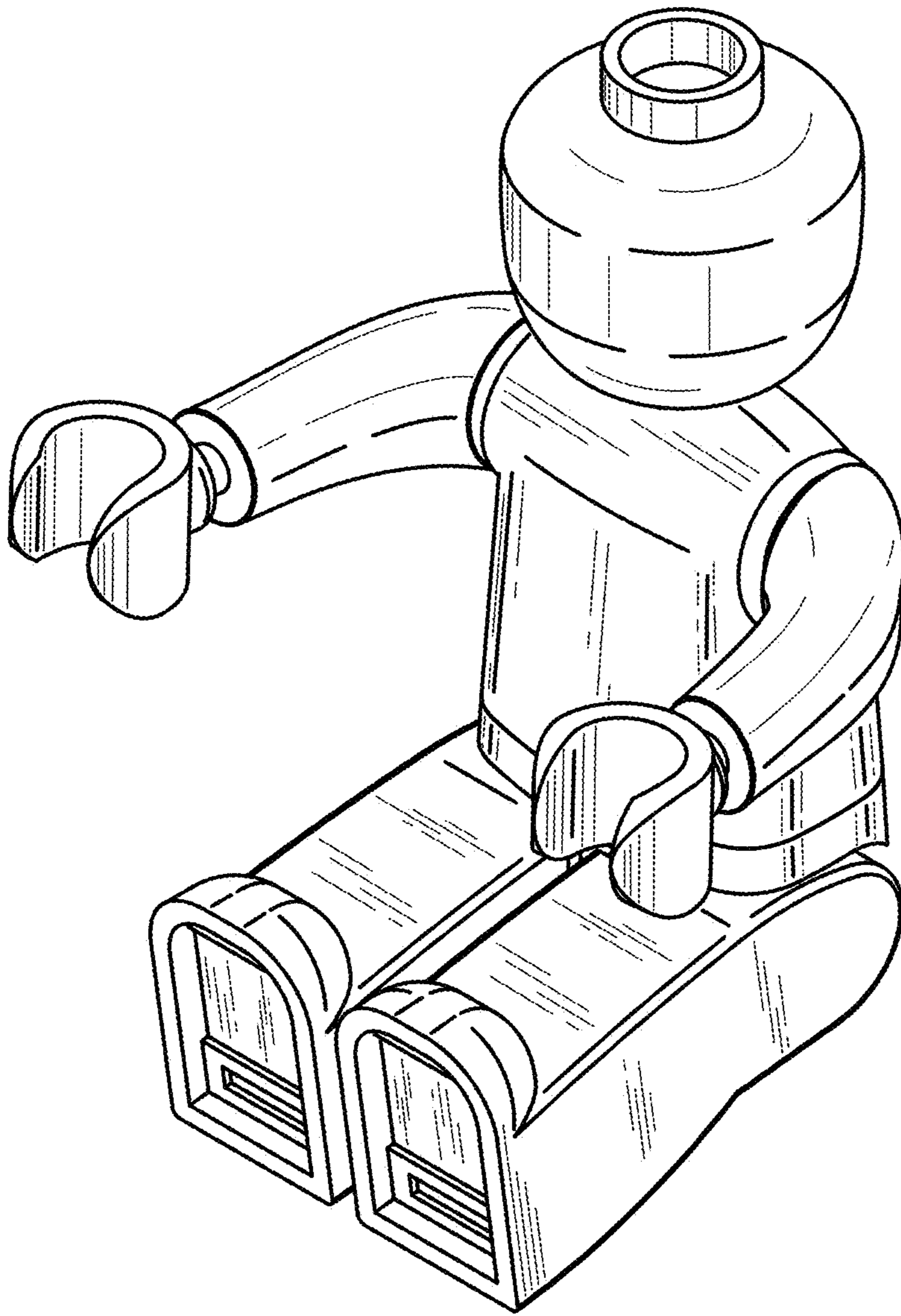


FIG. 9

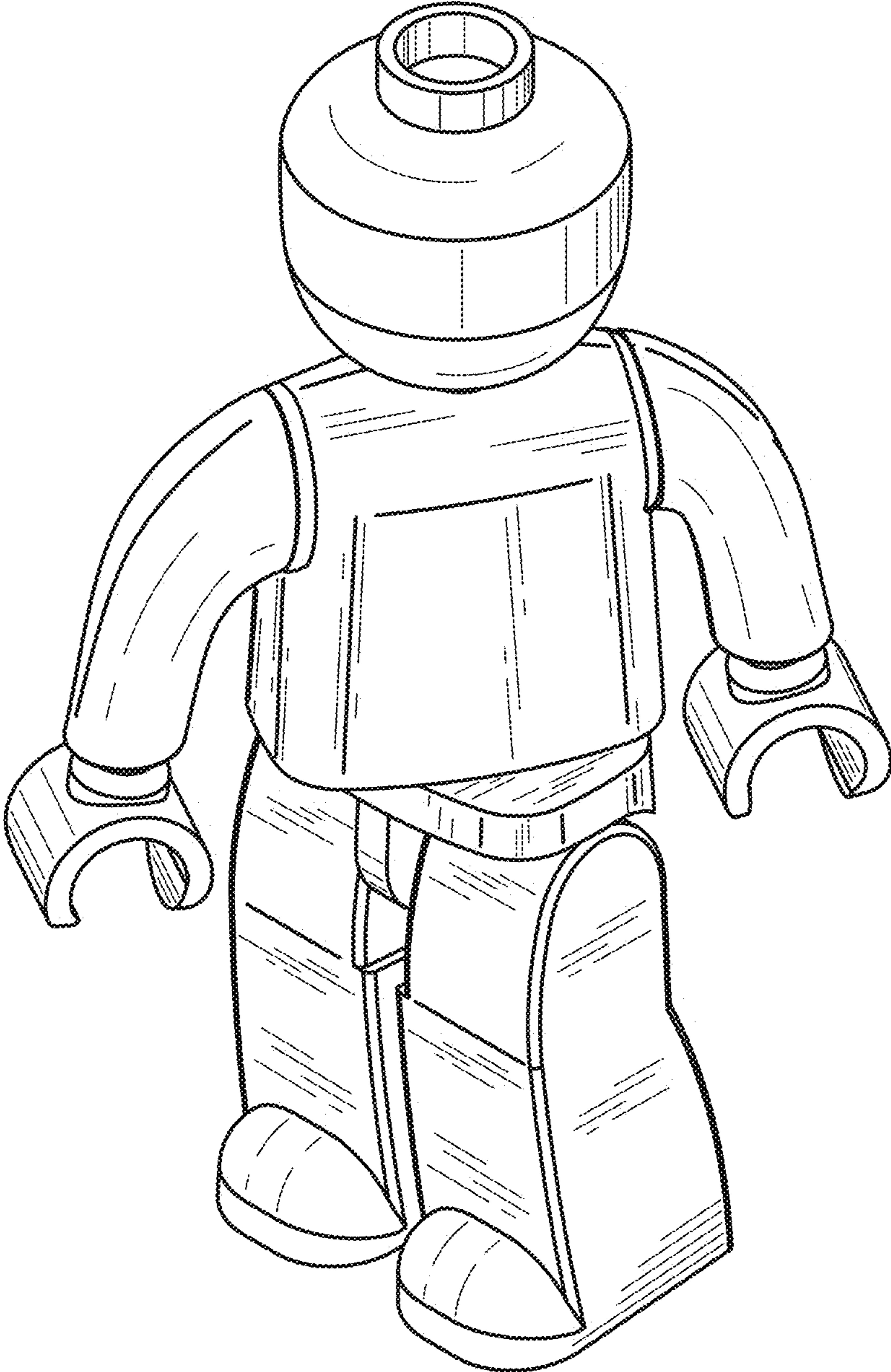


FIG. 10