



US00D738965S

(12) **United States Design Patent**  
**Yang**

(10) **Patent No.:** **US D738,965 S**

(45) **Date of Patent:** **\*\* Sep. 15, 2015**

(54) **TOY GUN**

(71) Applicant: **Xu Bo Yang**, Sheung Wan (HK)

(72) Inventor: **Xu Bo Yang**, Sheung Wan (HK)

(\*\*) Term: **14 Years**

(21) Appl. No.: **29/468,391**

(22) Filed: **Sep. 30, 2013**

(51) **LOC (10) Cl.** ..... **21-01**

(52) **U.S. Cl.**  
USPC ..... **D21/570**

(58) **Field of Classification Search**  
USPC ..... D21/333, 401, 461, 514, 567, 568,  
D21/570-575; D22/100, 101, 103, 104,  
D22/105, 108-110; D14/418; 446/23, 182,  
446/192, 401, 403, 405-407, 473, 475;  
124/16, 26, 27, 28, 29, 54, 66, 73-77,  
124/82; 222/78, 79; 42/54, 57, 58, 71.01,  
42/72, 75.03, 105, 124  
CPC ..... F41A 3/66; F41A 11/00; F41A 11/02;  
F41B 11/89; F41B 7/08  
See application file for complete search history.

(56) **References Cited**

**U.S. PATENT DOCUMENTS**

D367,685 S *	3/1996	Luk	.....	D21/572
D523,096 S *	6/2006	Pflaumer et al.	.....	D21/573
D584,373 S *	1/2009	Young	.....	D22/103
D606,614 S *	12/2009	Fitzpatrick et al.	.....	D22/103
D610,218 S *	2/2010	Barrett	.....	D22/103

D629,062 S *	12/2010	Peterson et al.	.....	D22/103
D641,825 S *	7/2011	Gridelet	.....	D22/103
D645,532 S *	9/2011	Peterson et al.	.....	D22/103
D662,152 S *	6/2012	Markowitz et al.	.....	D21/573
D665,037 S *	8/2012	Mead	.....	D21/573
D670,783 S *	11/2012	Barrett	.....	D22/103
D674,027 S *	1/2013	Reinagel	.....	D21/573
8,769,854 B1 *	7/2014	Battaglia	.....	42/75.03

\* cited by examiner

*Primary Examiner* — Cynthia M Chin

(74) *Attorney, Agent, or Firm* — Wendy K. Marsh

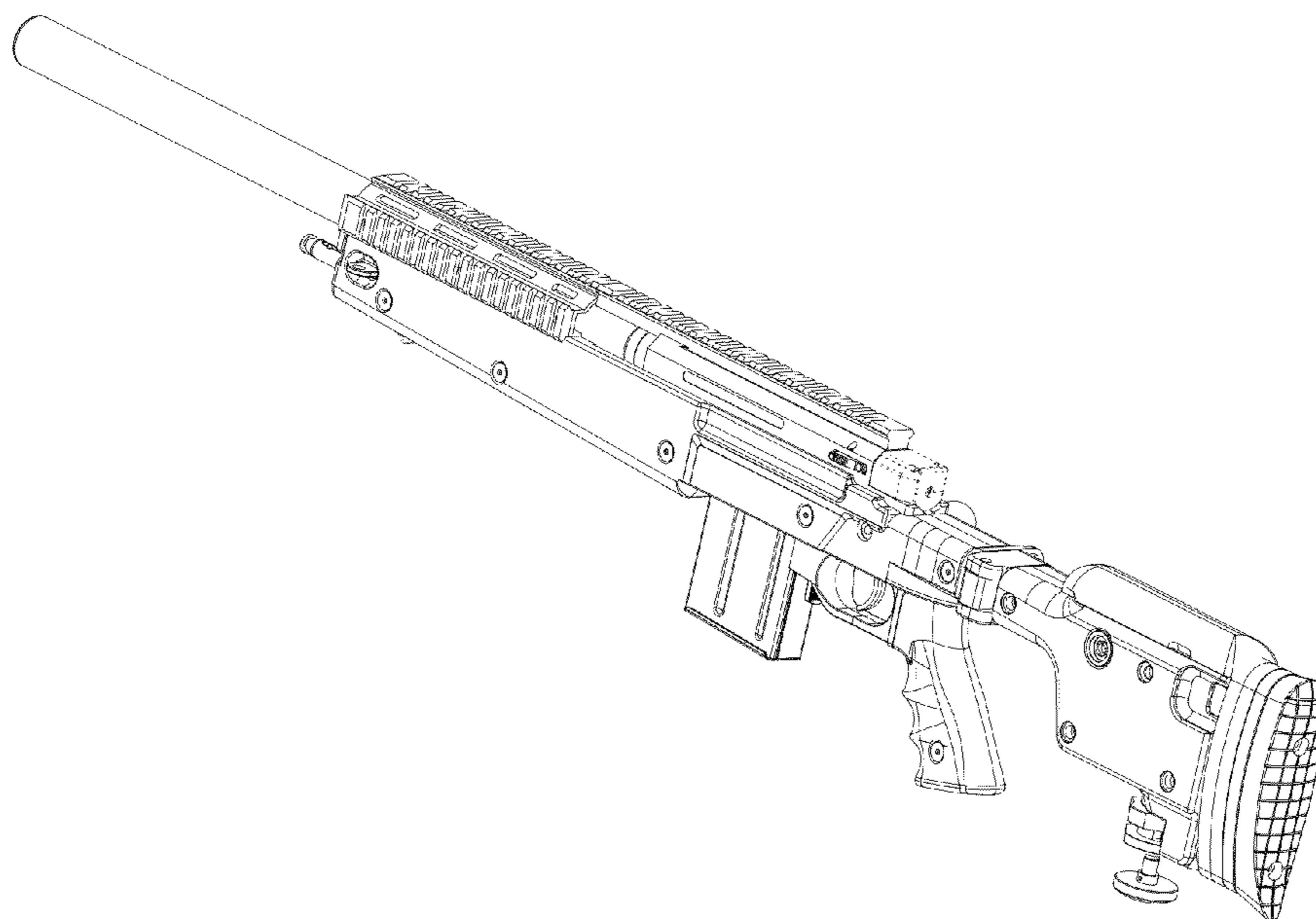
(57) **CLAIM**

I claim the ornamental design for a toy gun, as shown and described.

**DESCRIPTION**

FIG. 1 is a perspective view of the toy gun according to the present invention.  
 FIG. 2 is a side elevational view of the toy gun according to the present invention.  
 FIG. 3 is an alternate side elevational view of the toy gun according to the present invention.  
 FIG. 4 is a top plan view of the toy gun according to the present invention.  
 FIG. 5 is a bottom plan view of the toy gun according to the present invention.  
 FIG. 6 is a rear view of the toy gun according to the present invention; and,  
 FIG. 7 is a top view of the toy gun according to the present invention.

**1 Claim, 4 Drawing Sheets**



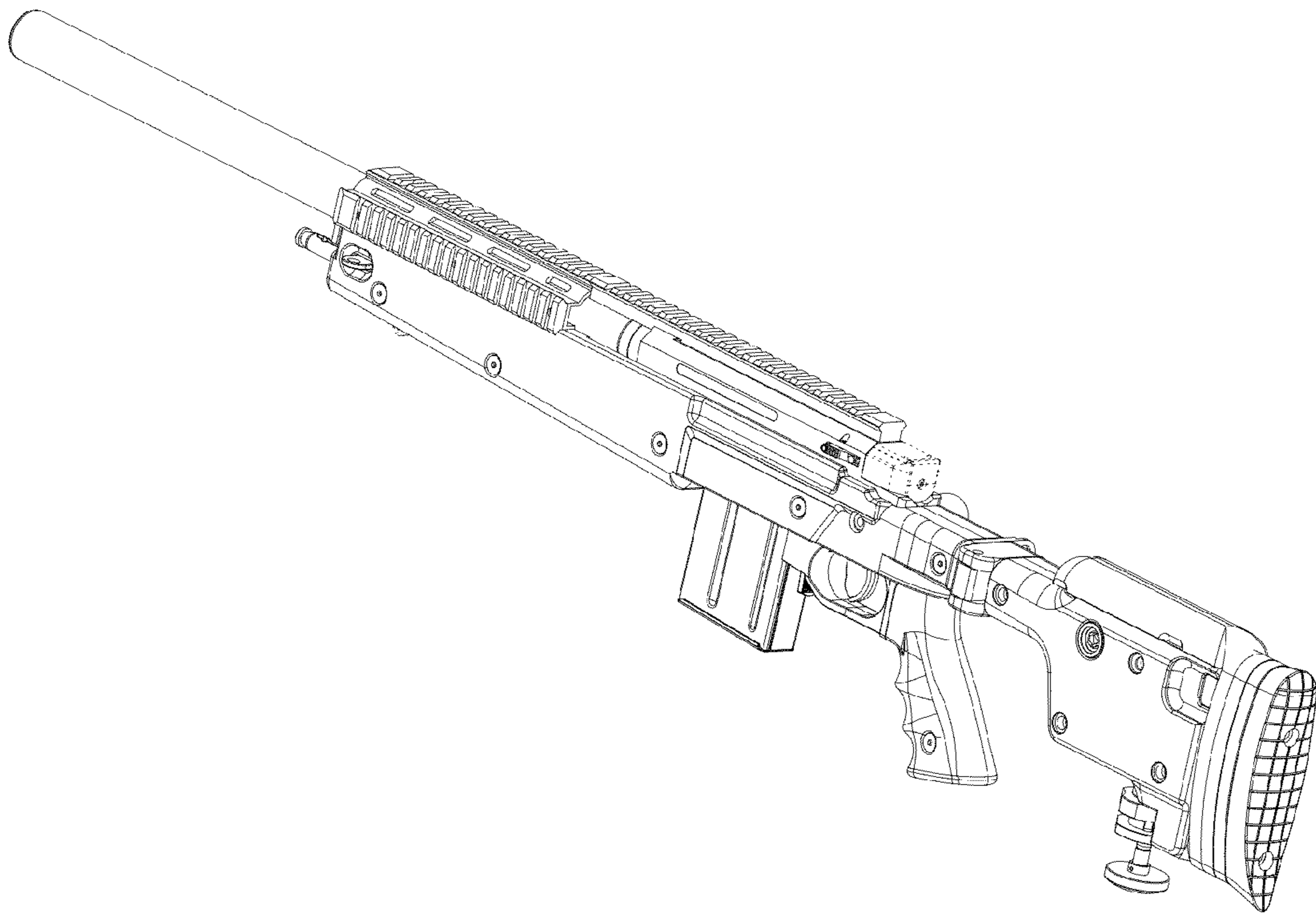


Fig. 1

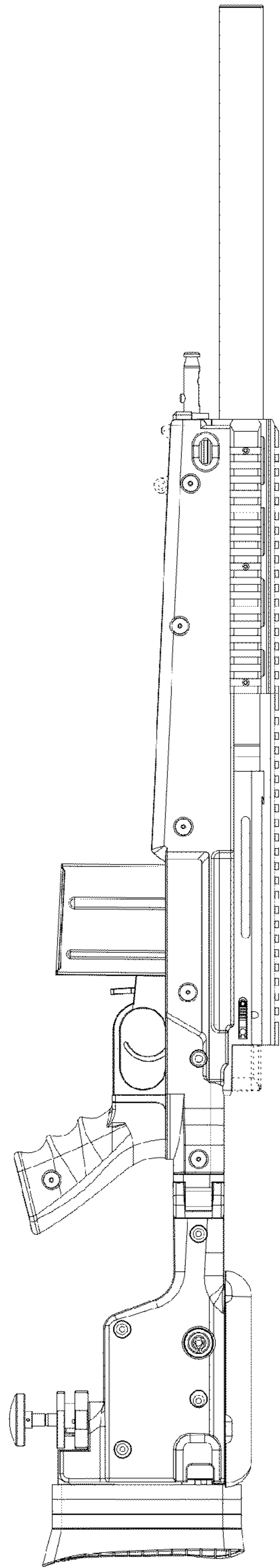


Fig. 2

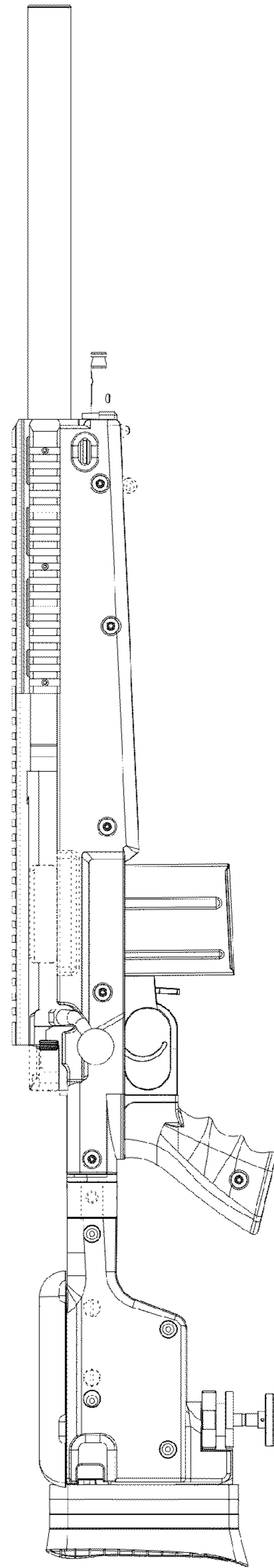


Fig. 3

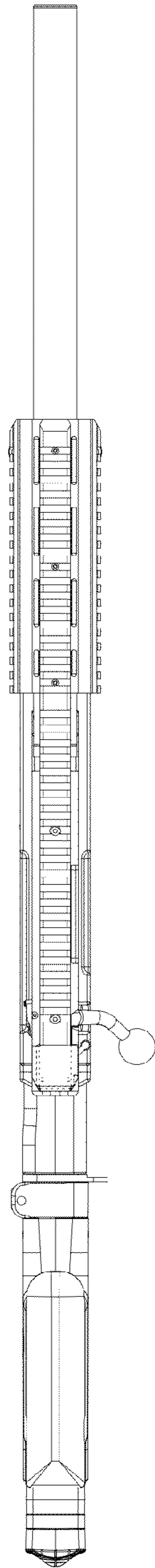


Fig. 4

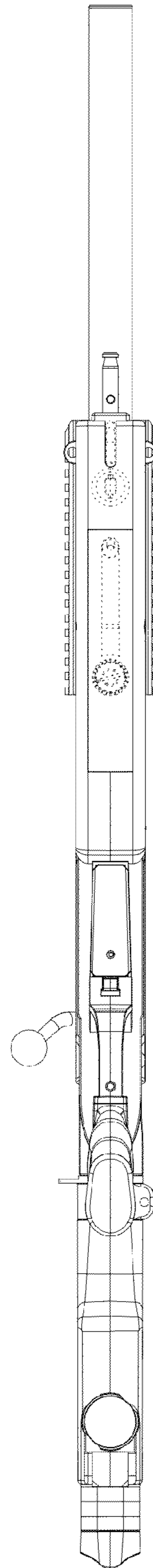


Fig. 5



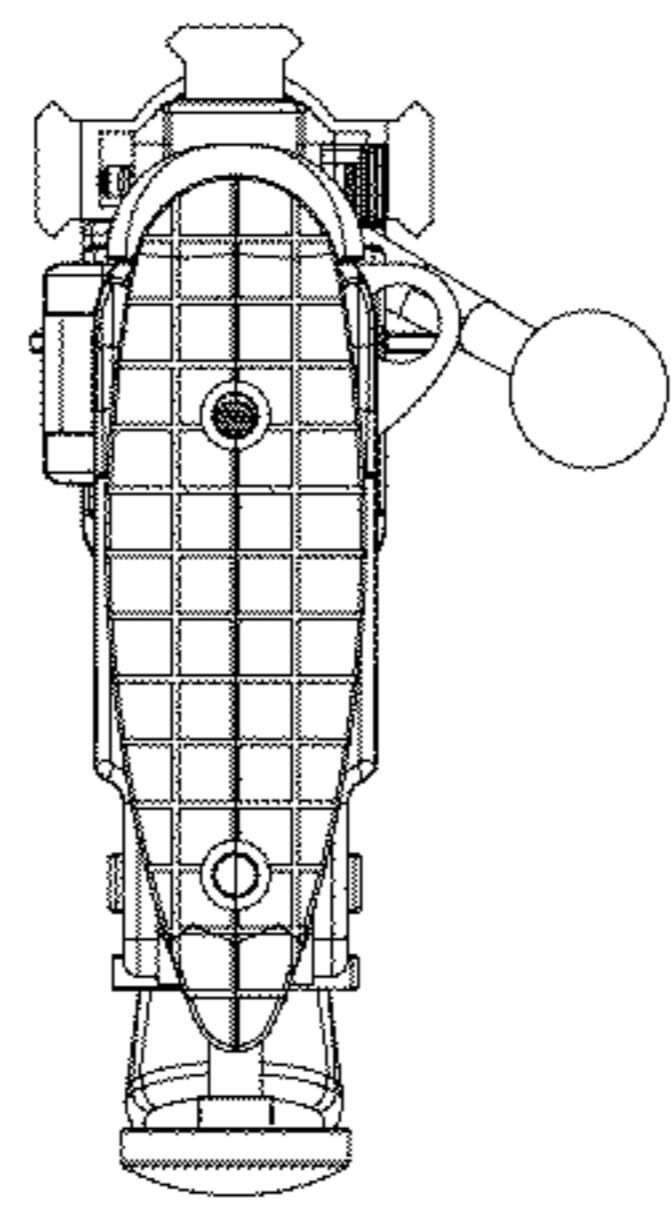


Fig. 6

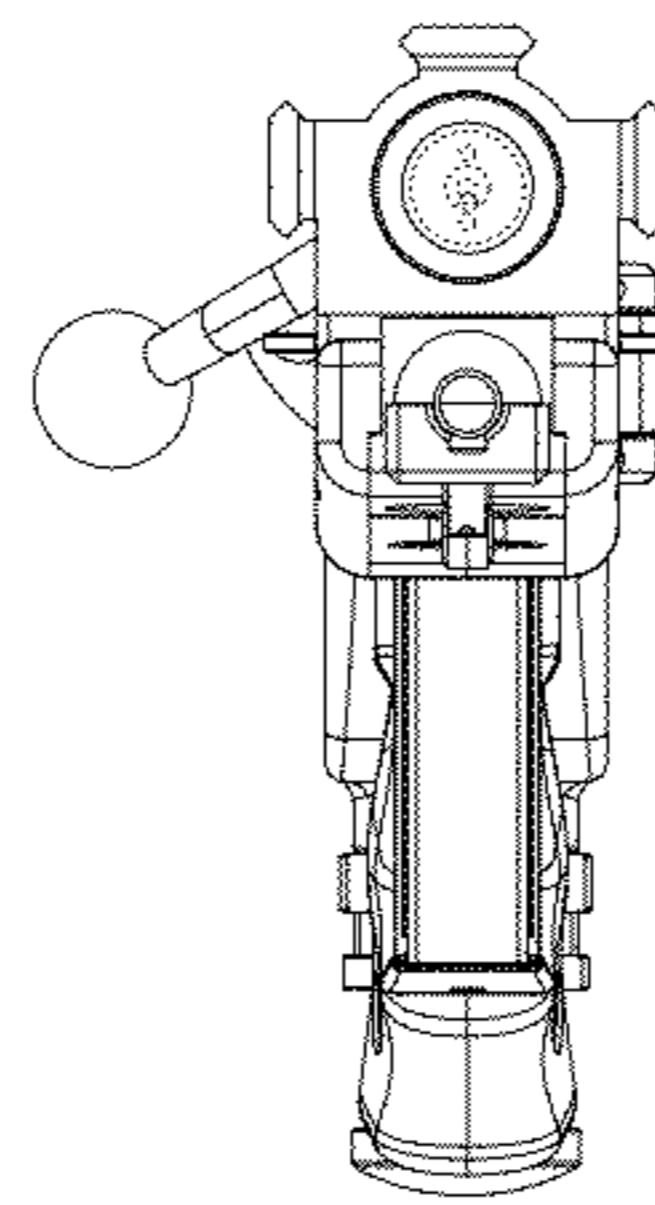


Fig. 7