

US00D738962S

(12) **United States Design Patent**
Handy et al.

(10) **Patent No.:** **US D738,962 S**

(45) **Date of Patent:** **** Sep. 15, 2015**

(54) **TOY LAUNCHING DEVICE**

(71) Applicant: **Mattel, Inc.**, El Segundo, CA (US)

(72) Inventors: **Derek S. Handy**, Redondo Beach, CA (US); **Michael Kadile**, Redondo Beach, CA (US); **Steed Sun**, San Marino, CA (US); **Michael L. Strauss**, Signal Hill, CA (US)

(73) Assignee: **Mattel, Inc.**, El Segundo, CA (US)

(**) Term: **14 Years**

(21) Appl. No.: **29/468,939**

(22) Filed: **Oct. 4, 2013**

(51) **LOC (10) Cl.** **21-01**

(52) **U.S. Cl.**
USPC **D21/454**

(58) **Field of Classification Search**
USPC D21/454, 570; 124/17, 20.1, 16;
446/429, 486, 64, 61, 230, 68, 75, 435,
446/470; 429/143, 147; 273/317, 129 R
CPC F41B 7/08; F41B 11/89; A63H 17/008;
A63H 33/18; A63H 27/14
See application file for complete search history.

(56) **References Cited**

U.S. PATENT DOCUMENTS

2,367,249	A	1/1945	Walker	
3,803,756	A *	4/1974	Strongin	446/429
3,804,071	A *	4/1974	Winrow	124/16
D237,811	S *	11/1975	Goldfarb	D21/454
4,087,934	A	5/1978	Gibson	
4,120,099	A *	10/1978	Fett	434/32
D252,887	S	9/1979	Meyers	

4,203,247	A *	5/1980	Moe et al.	446/429
D328,764	S *	8/1992	Klitsner	D21/454
5,240,448	A	8/1993	Ishikawa	
D366,908	S *	2/1996	Crennen	D21/454
D368,280	S *	3/1996	Brown	D21/454
D380,236	S *	6/1997	Kupperman	D21/454
D398,937	S *	9/1998	Spikes	D21/301
D419,205	S *	1/2000	Kownacki et al.	D21/447
D550,781	S *	9/2007	Laurienzo et al.	D21/454
2006/0270307	A1	11/2006	Montalvo et al.	
2007/0099541	A1	5/2007	Yu et al.	
2013/0081602	A1	4/2013	Pedersen et al.	
2015/0059727	A1 *	3/2015	Mathews	124/86

* cited by examiner

Primary Examiner — Cynthia Ramirez

Assistant Examiner — Gino Colan

(74) *Attorney, Agent, or Firm* — The Mueller Law Office, P.C.

(57) **CLAIM**

The ornamental design for a toy launching device, as shown and described.

DESCRIPTION

FIG. 1 shows a perspective view of a design for a toy launching device.

FIG. 2 shows a back view of the design.

FIG. 3 shows a front view of the design.

FIG. 4 shows a right side view of the design.

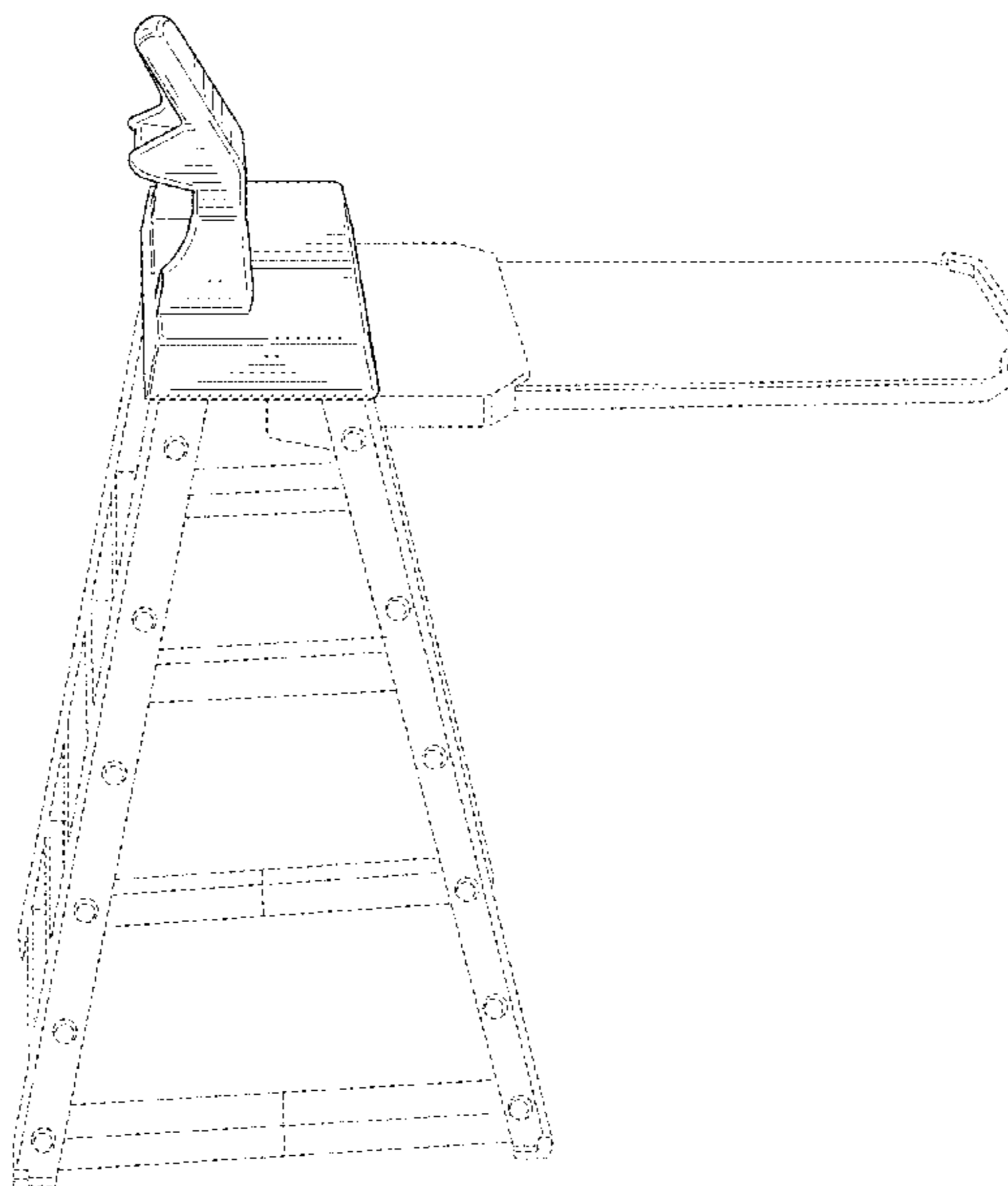
FIG. 5 shows a left side view of the design.

FIG. 6 shows a top view of the design; and,

FIG. 7 shows a bottom view of the design.

The broken line shown in the figures are included for the purpose of illustrating portions of the toy launching device and form no part of the claimed design.

1 Claim, 6 Drawing Sheets



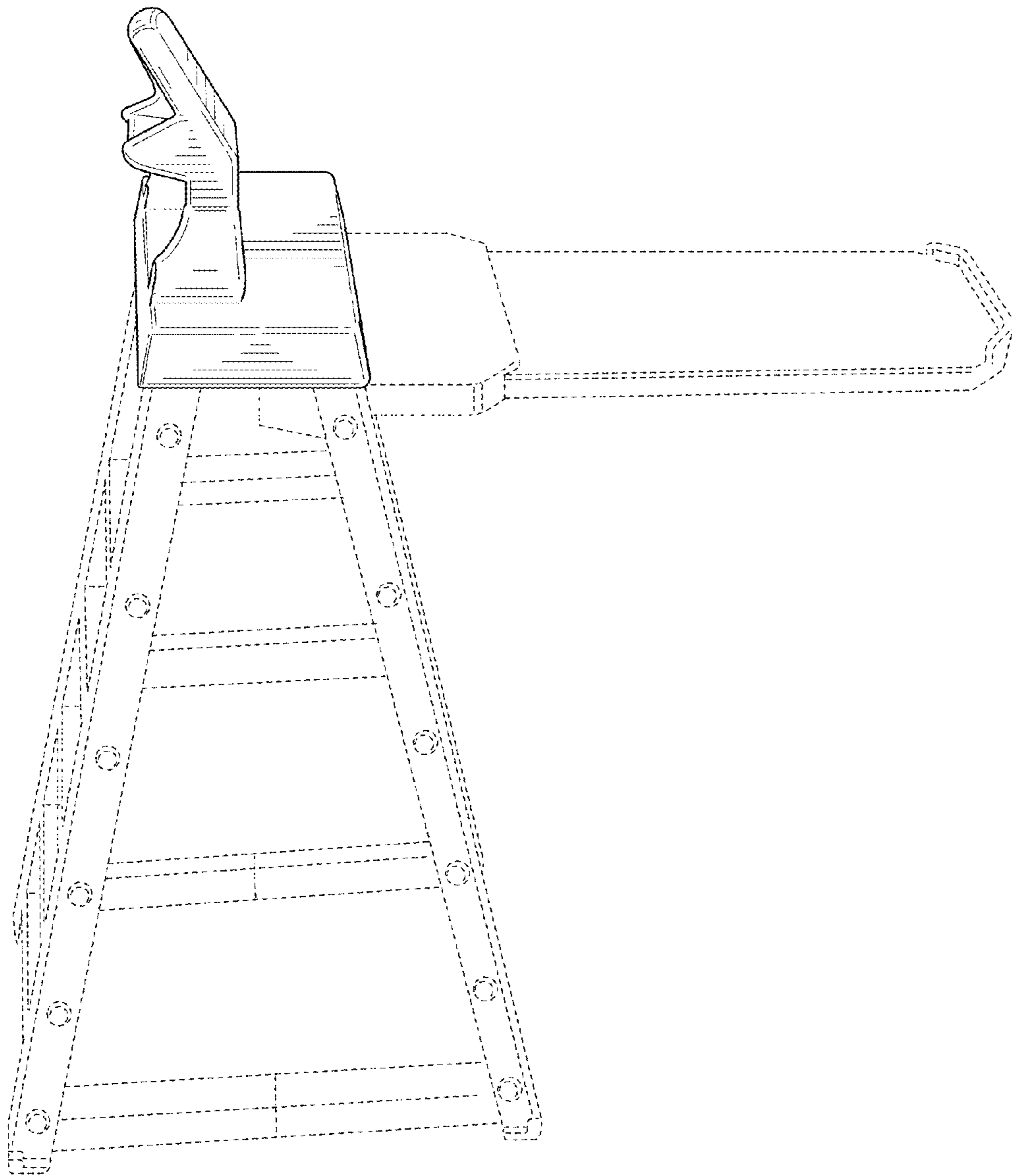


FIG. 1

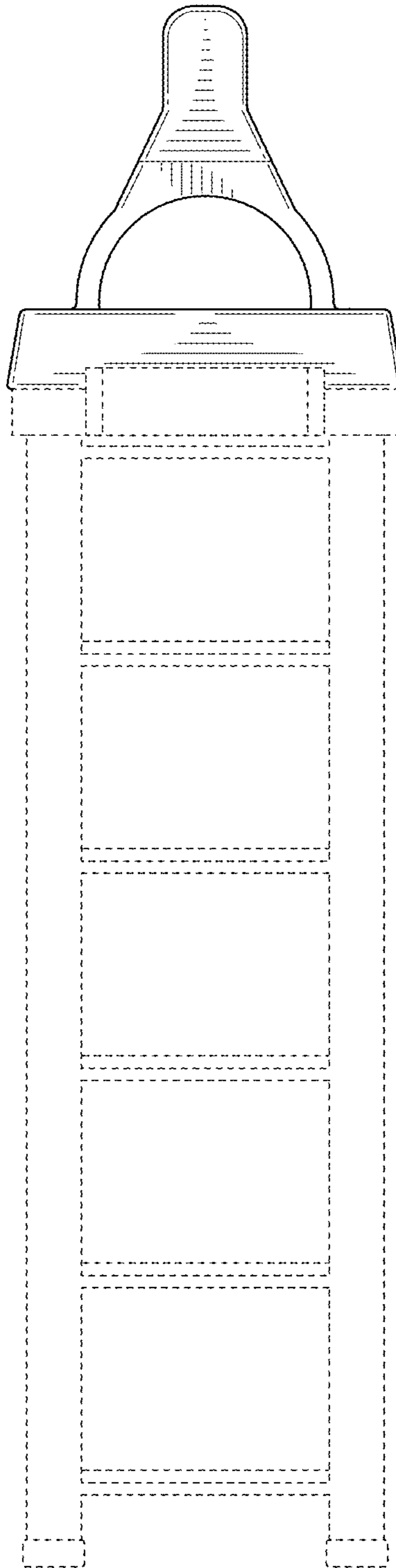


FIG. 2

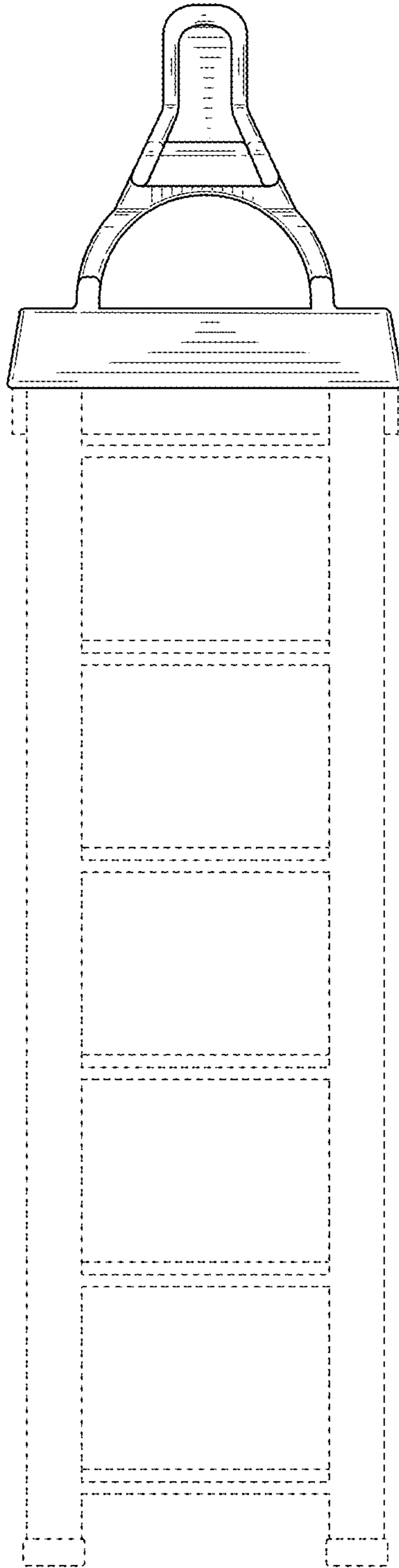


FIG. 3

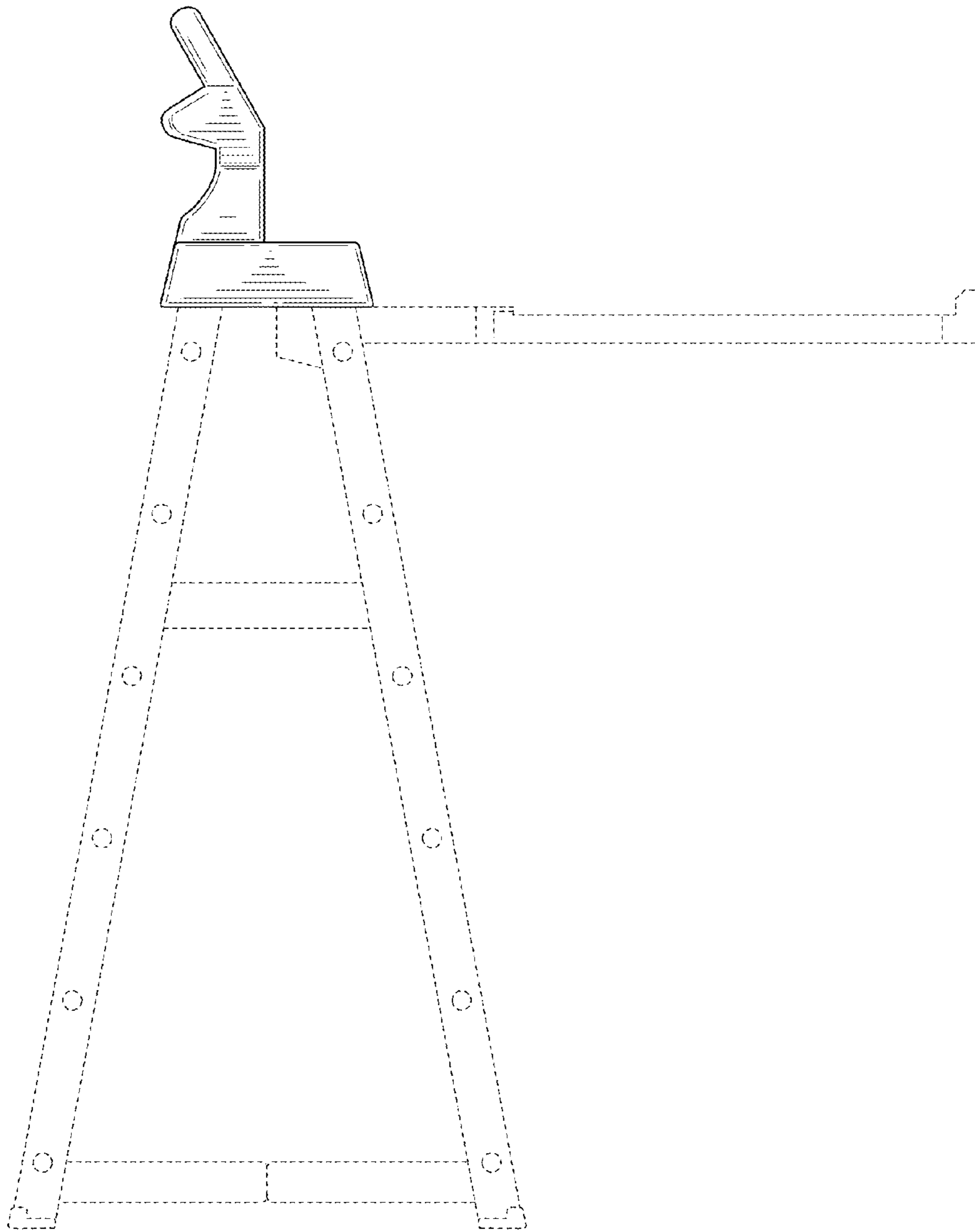


FIG. 4

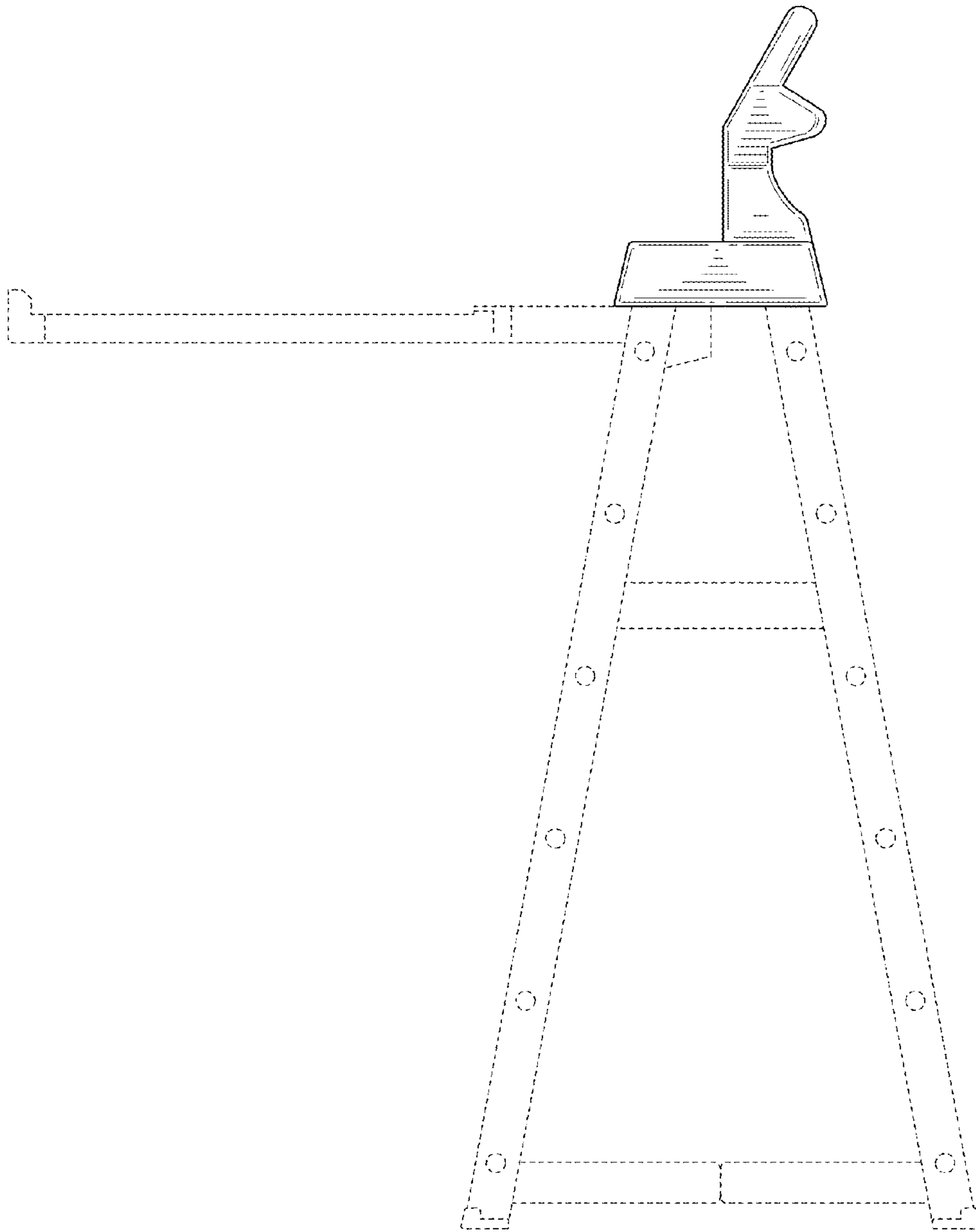


FIG. 5

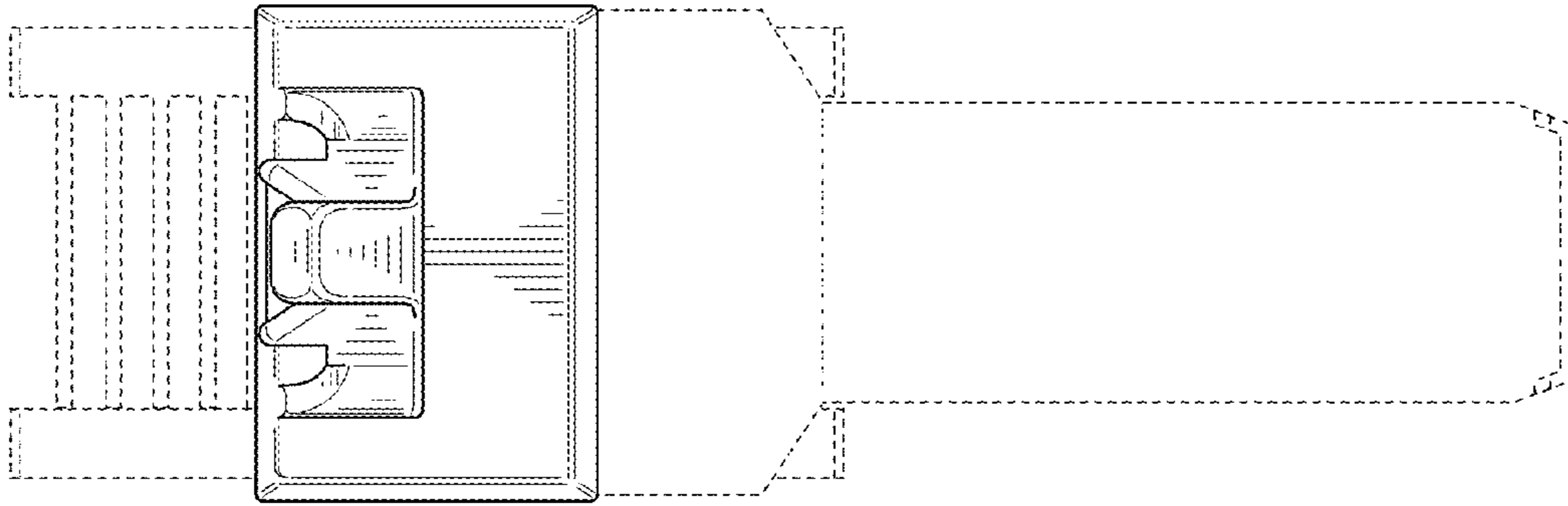


FIG. 6

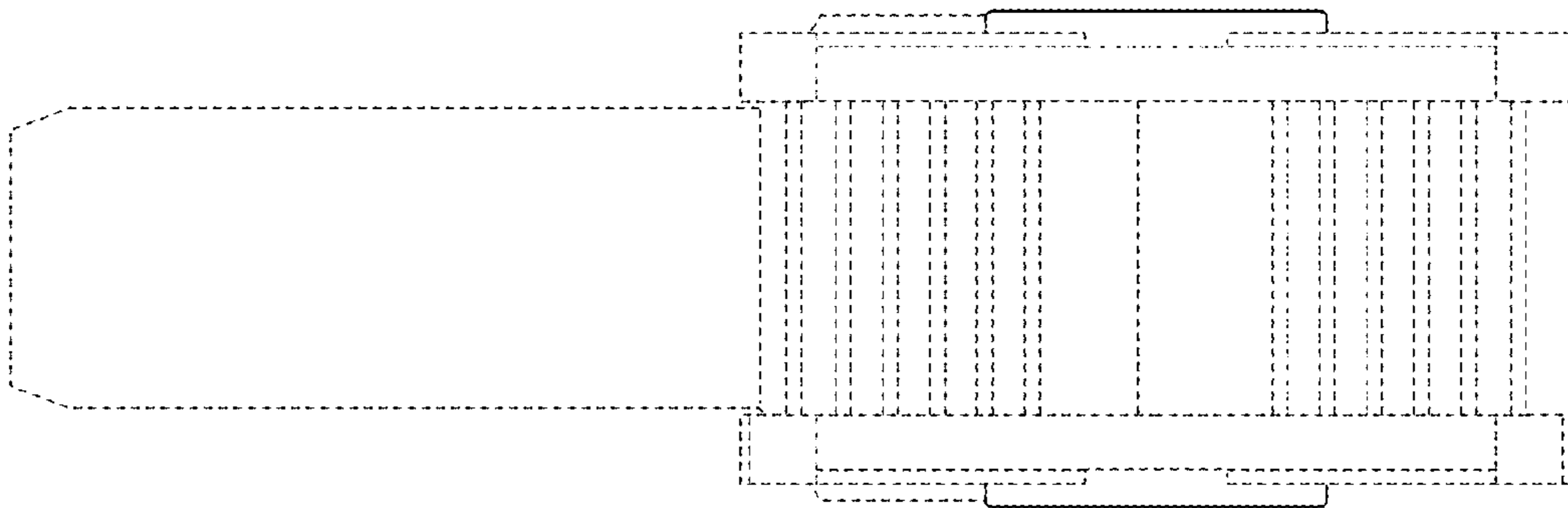


FIG. 7