

US00D738958S

(12) **United States Design Patent**
Vanderheyden et al.

(10) **Patent No.:** **US D738,958 S**

(45) **Date of Patent:** **** Sep. 15, 2015**

(54) **BLADE ASSEMBLY FOR A HAND HELD MASKING TOOL**

(71) Applicant: **3M INNOVATIVE PROPERTIES COMPANY**, St. Paul, MN (US)

(72) Inventors: **Jacob P. Vanderheyden**, St. Paul, MN (US); **Christian R. Trifilio**, St. Paul, MN (US); **Jeffrey B. Waffensmith**, North Oaks, MN (US)

(73) Assignee: **3M INNOVATIVE PROPERTIES COMPANY**, St. Paul, MN (US)

(**) Term: **14 Years**

(21) Appl. No.: **29/479,861**

(22) Filed: **Jan. 21, 2014**

(51) **LOC (10) Cl.** **19-06**

(52) **U.S. Cl.**
USPC **D19/69; D8/98**

(58) **Field of Classification Search**
USPC D8/14, 51, 98; D19/67, 69
CPC B65H 35/004; Y10T 156/1365; Y10T 156/1739

See application file for complete search history.

(56) **References Cited**

U.S. PATENT DOCUMENTS

3,950,214	A *	4/1976	Pool et al.	156/527
4,548,838	A *	10/1985	Sunohara	427/282
4,588,469	A *	5/1986	Hunter	156/527
4,667,981	A *	5/1987	Koide	280/806
4,858,807	A *	8/1989	Cvek	225/58

4,913,767	A *	4/1990	Longworth	156/527
4,915,769	A *	4/1990	Heil et al.	156/527
D361,088	S *	8/1995	Poole	D19/69
5,445,703	A *	8/1995	Steeves et al.	156/544
5,470,430	A *	11/1995	Lewis et al.	156/577
5,472,559	A *	12/1995	Cayford et al.	156/554
D369,832	S *	5/1996	Poole	D19/69
D401,281	S *	11/1998	Huerta	D19/69
5,850,960	A *	12/1998	Cadwell	225/58
6,497,263	B1	12/2002	Pitzen	
7,819,163	B2 *	10/2010	Tyler	156/563

* cited by examiner

Primary Examiner — Phillip S Hyder

(74) *Attorney, Agent, or Firm* — Irina Hass

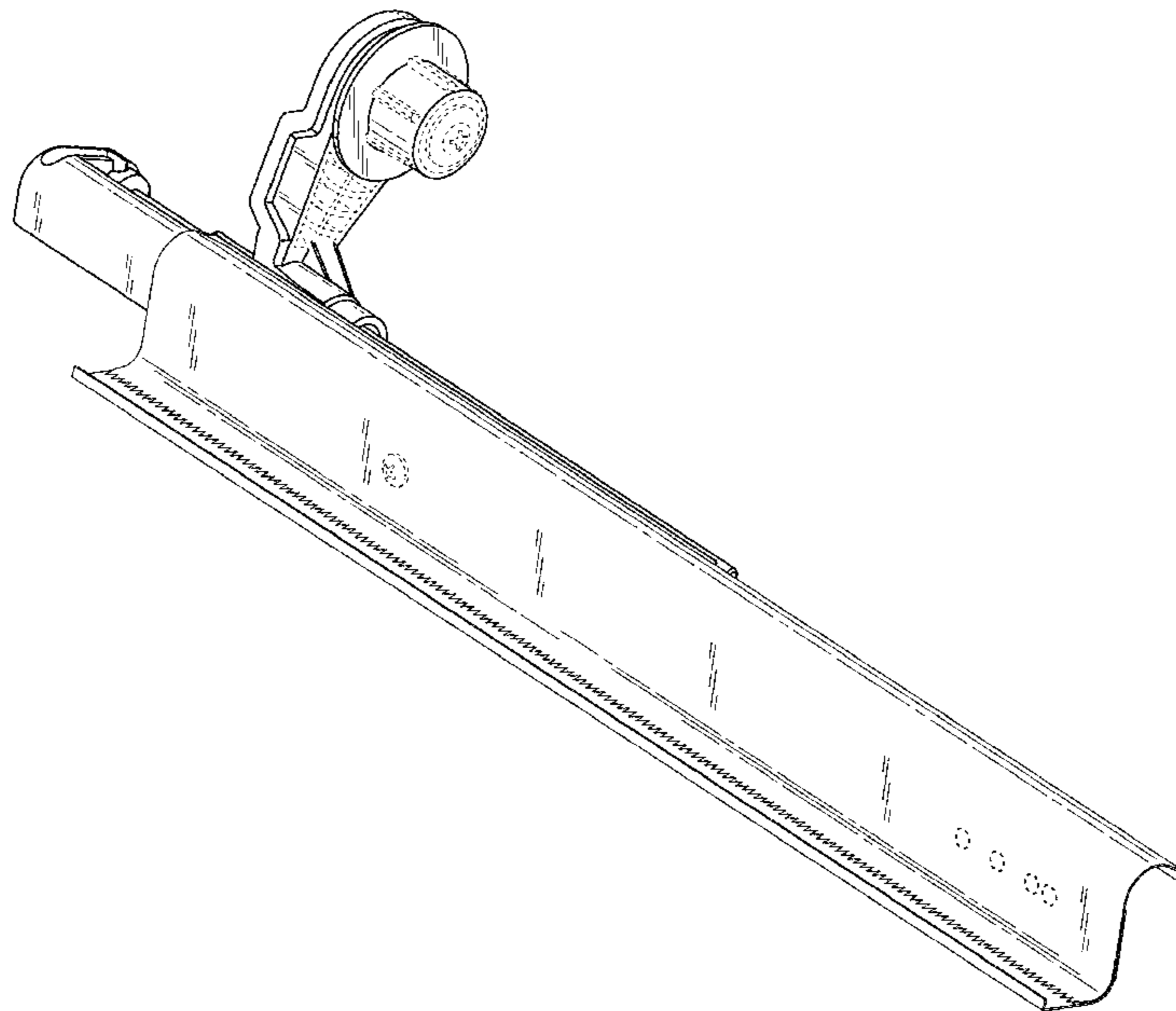
(57) **CLAIM**

The ornamental design for a blade assembly for a hand held masking tool, as shown and described.

DESCRIPTION

FIG. 1 is a perspective view showing the new design for a blade assembly for a hand held masking tool;
FIG. 2 is a front view thereof;
FIG. 3 is a rear view thereof;
FIG. 4 is a right side view thereof;
FIG. 5 is a left side view thereof;
FIG. 6 is a top view thereof;
FIG. 7 is a bottom view thereof; and,
FIG. 8 is a perspective view of the blade assembly, with a hand held masking tool depicted in broken line form.
The broken line showing of the hand held masking tool forms no part of the claimed design. The portions of the blade assembly for a hand held masking tool depicted by broken lines form no part of the claimed design.

1 Claim, 4 Drawing Sheets



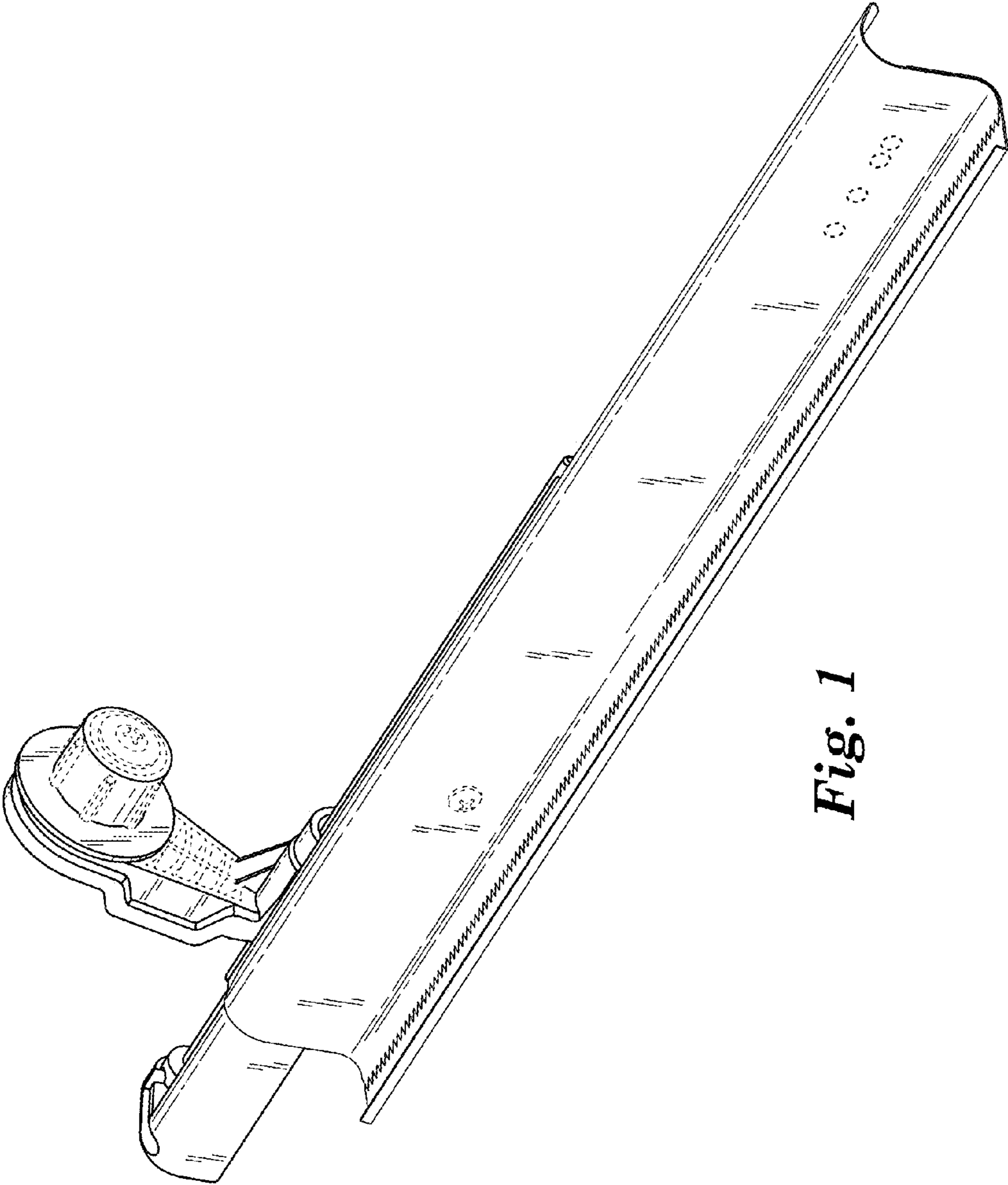


Fig. 1

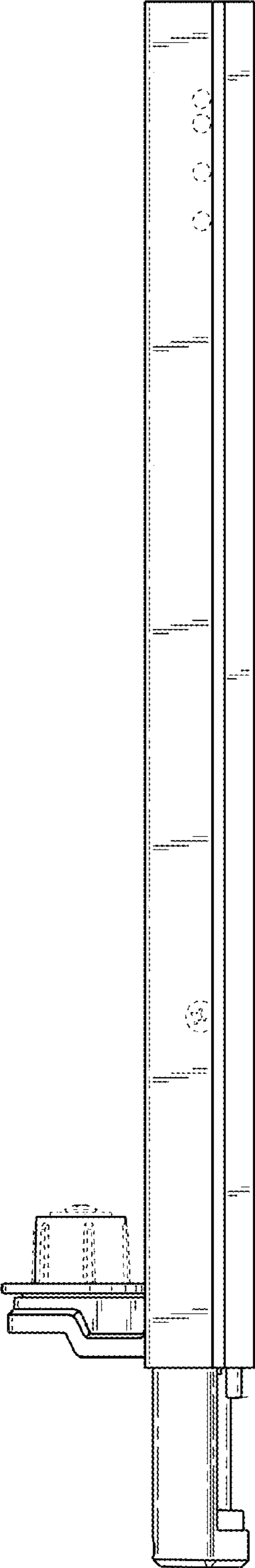


Fig. 2

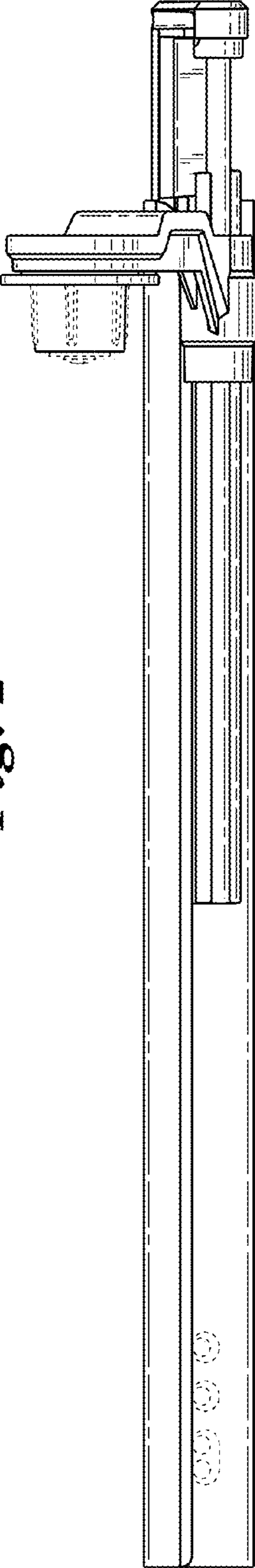


Fig. 3

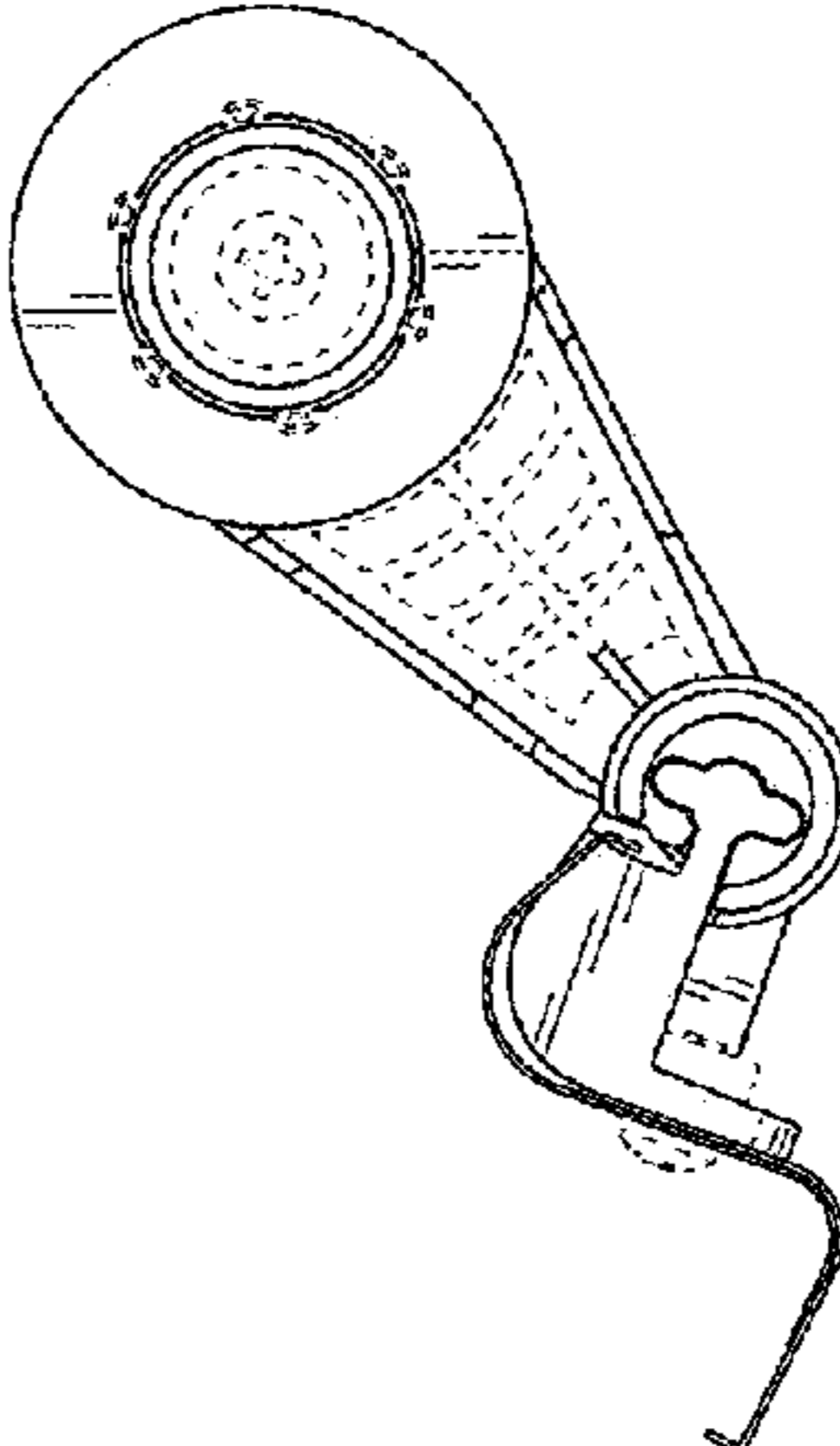


Fig. 4

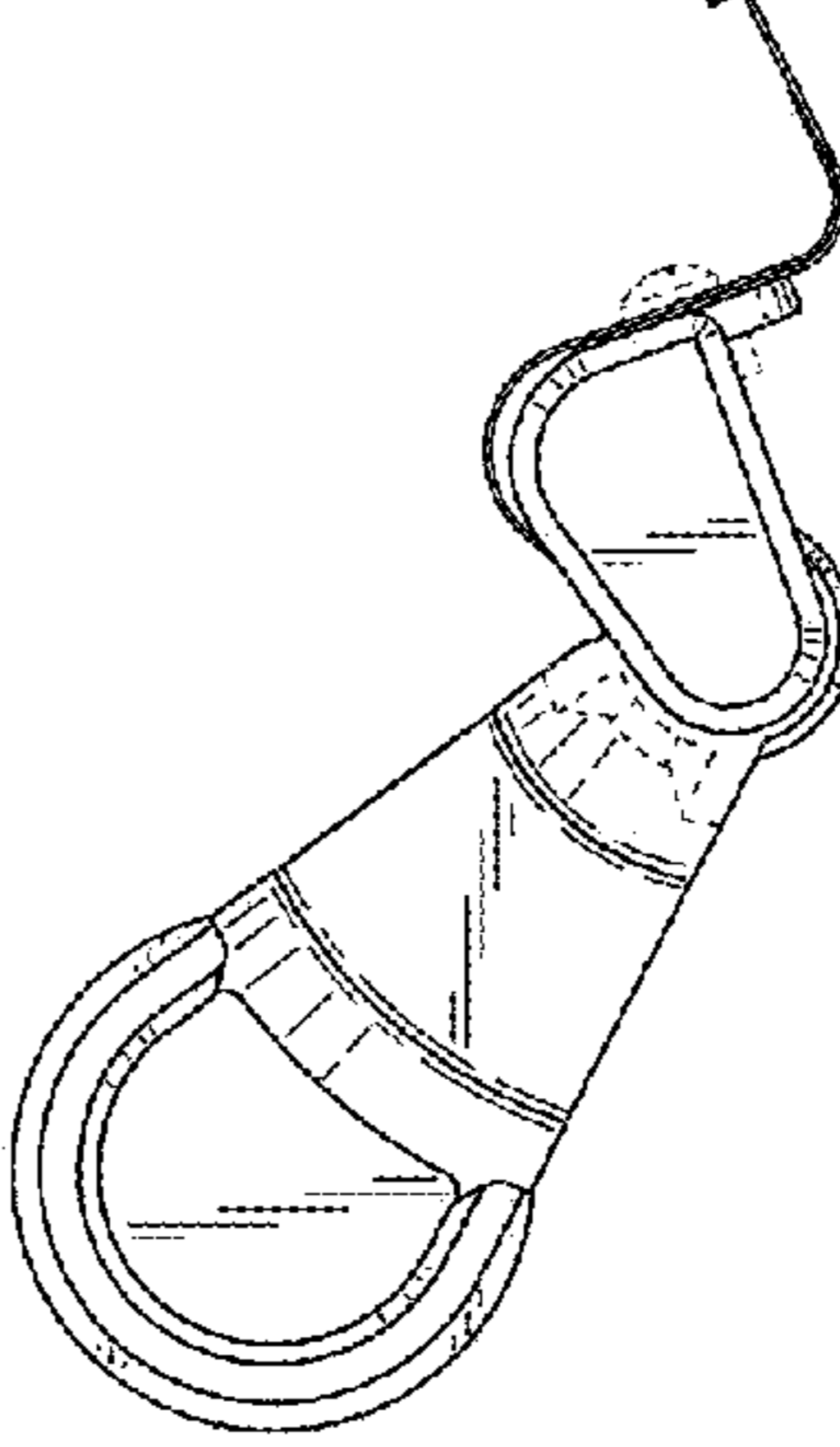


Fig. 5

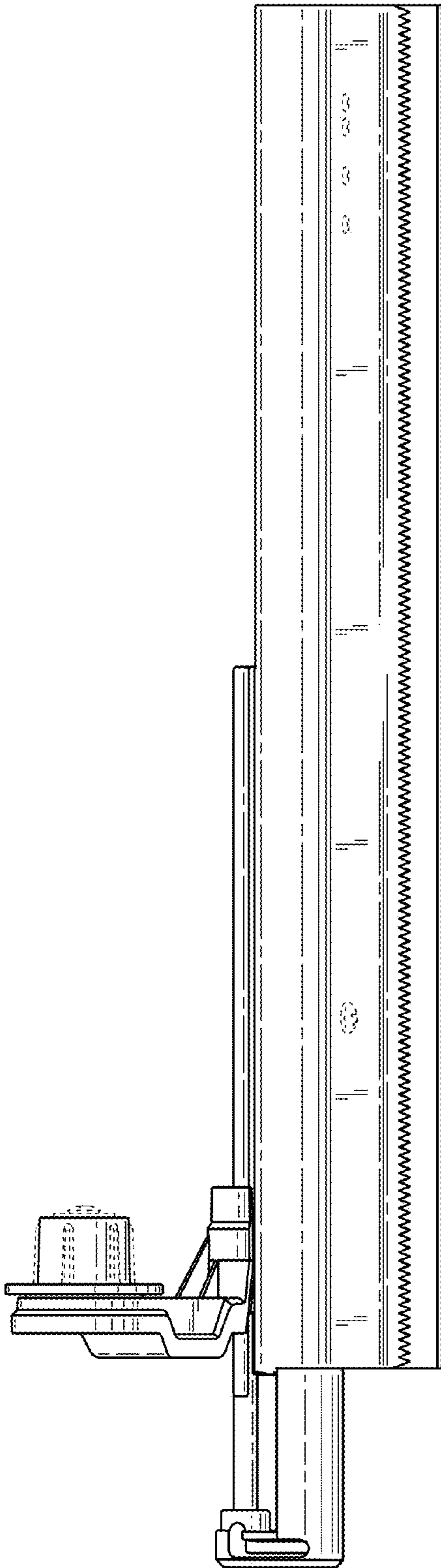


Fig. 6

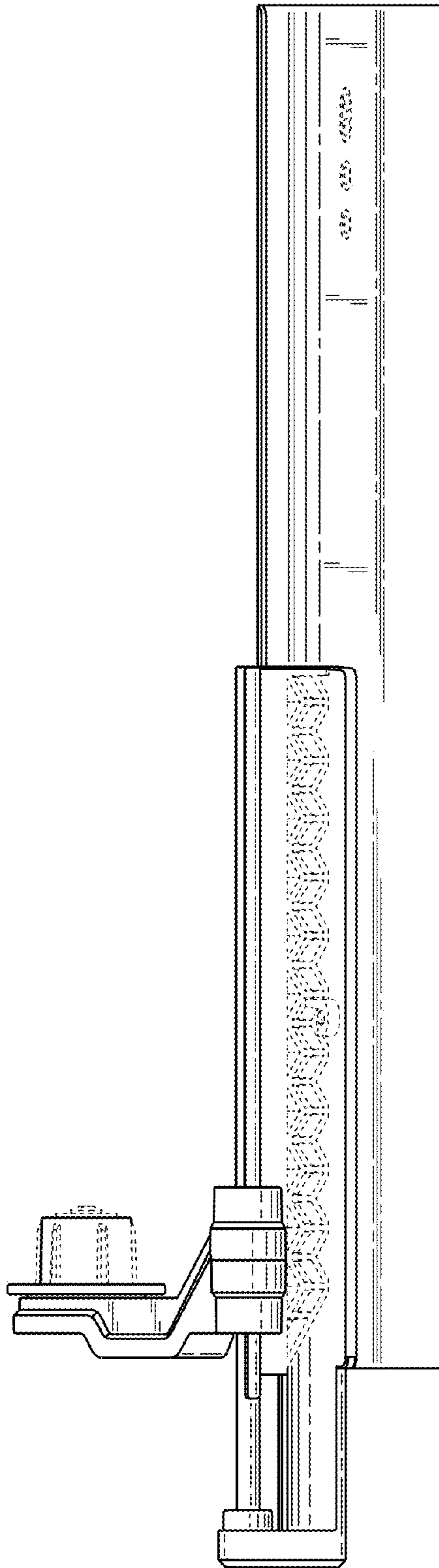


Fig. 7

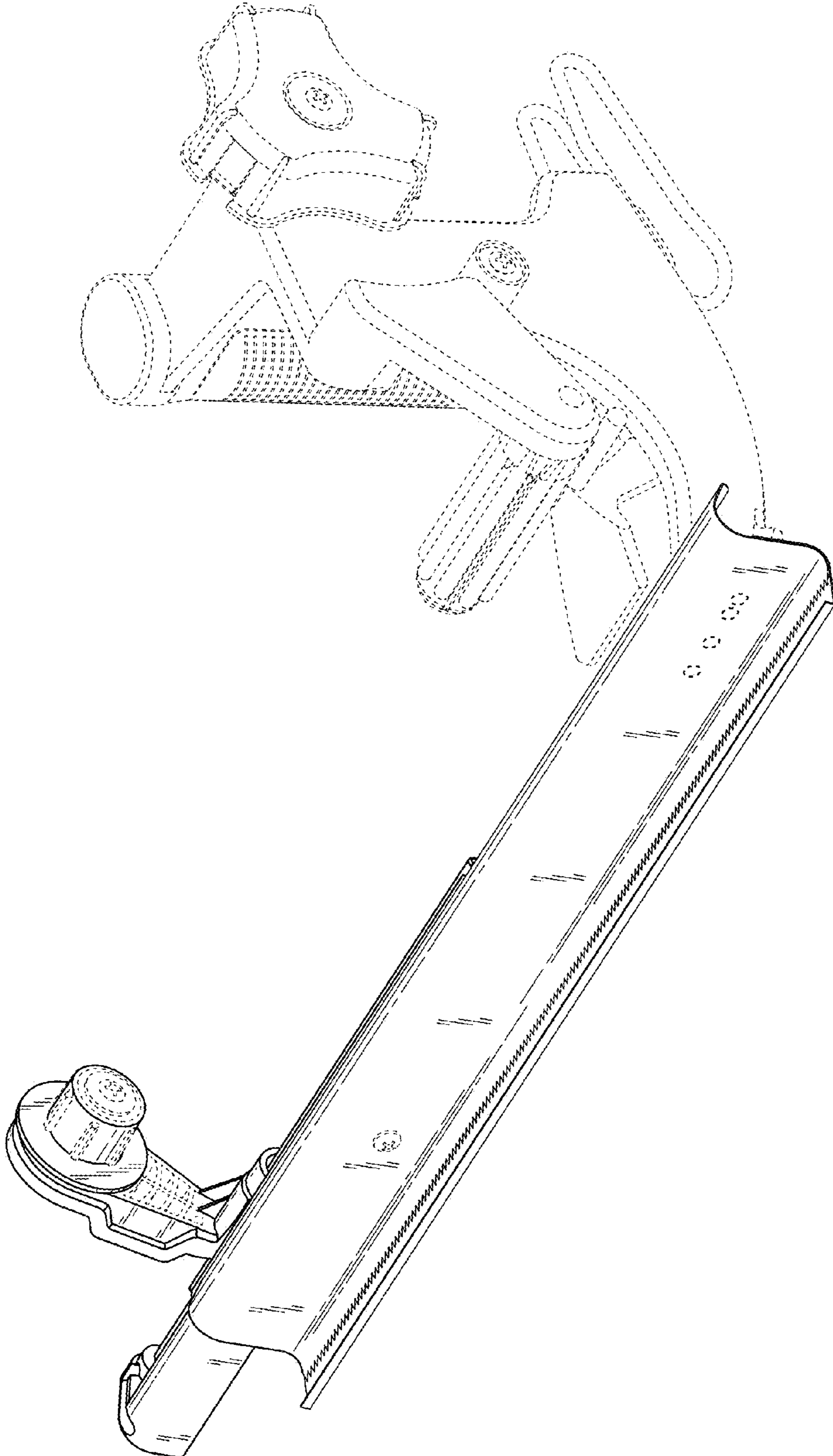


Fig. 8