



US00D738956S

(12) **United States Design Patent**  
**Larson et al.**

(10) **Patent No.:** **US D738,956 S**

(45) **Date of Patent:** **\*\* Sep. 15, 2015**

(54) **PRINTER WITH AN AUTOMATIC DOCUMENT FEEDER INPUT TRAY**

(71) Applicant: **Hewlett-Packard Development Company, L.P.**, Houston, TX (US)

(72) Inventors: **David B. Larson**, Boise, ID (US); **Daniel Chien Cheng Huang**, Boise, ID (US); **Jeffrey C. Madsen**, Boise, ID (US)

(73) Assignee: **HEWLETT-PACKARD DEVELOPMENT COMPANY, L.P.**, Houston, TX (US)

(\*\*) Term: **14 Years**

(21) Appl. No.: **29/480,663**

(22) Filed: **Jan. 28, 2014**

(51) **LOC (10) Cl.** ..... **18-99**

(52) **U.S. Cl.**  
USPC ..... **D18/49**

(58) **Field of Classification Search**  
USPC ..... D18/36, 37, 38, 39, 44, 46, 49, 50, 53, D18/54, 56, 59, 99; D14/332, 422, 463, D14/468, 469, 471, 493  
CPC ..... B41J 11/00; B41J 2/00; B41J 2/205; B41J 2/385; B41J 13/00; B41J 29/393; B41J 27/16

See application file for complete search history.

(56) **References Cited**

**U.S. PATENT DOCUMENTS**

D403,698 S \* 1/1999 Kobayashi et al. .... D18/49  
6,830,401 B1 \* 12/2004 Hwang et al. .... 400/693  
D525,291 S \* 7/2006 Fukumura et al. .... D18/49  
D558,824 S \* 1/2008 Alfonso et al. .... D18/55  
D575,330 S \* 8/2008 Egami et al. .... D18/55

D584,344 S \* 1/2009 Lee et al. .... D18/43  
D586,385 S \* 2/2009 Kim et al. .... D18/55  
D589,550 S \* 3/2009 Clark, III ..... D18/39  
D596,227 S \* 7/2009 Larson et al. .... D18/55  
D616,927 S \* 6/2010 Suzuki et al. .... D18/55  
D619,646 S \* 7/2010 Brown et al. .... D18/49  
D641,778 S \* 7/2011 Lee et al. .... D18/55  
D650,834 S \* 12/2011 Brown et al. .... D18/39  
D660,351 S \* 5/2012 Larson et al. .... D18/55  
D664,190 S \* 7/2012 Matsuda et al. .... D18/39

(Continued)

**OTHER PUBLICATIONS**

Hewlett-Packard Development Company, L.P., "HP Officejet Pro X451dn Printer," Jan. 2013, 2 pages.

(Continued)

*Primary Examiner* — Eric Goodman

*Assistant Examiner* — Amy Wierenga

(74) *Attorney, Agent, or Firm* — Hanley Flight & Zimmerman, LLC

(57) **CLAIM**

The ornamental design for a "printer with an automatic document feeder input tray," as shown and described.

**DESCRIPTION**

FIG. 1 is a top, front, right side perspective view of an example printer with an automatic document feeder input tray;

FIG. 2 is a front view of the example printer of FIG. 1;

FIG. 3 is a right side view of the example printer of FIG. 1;

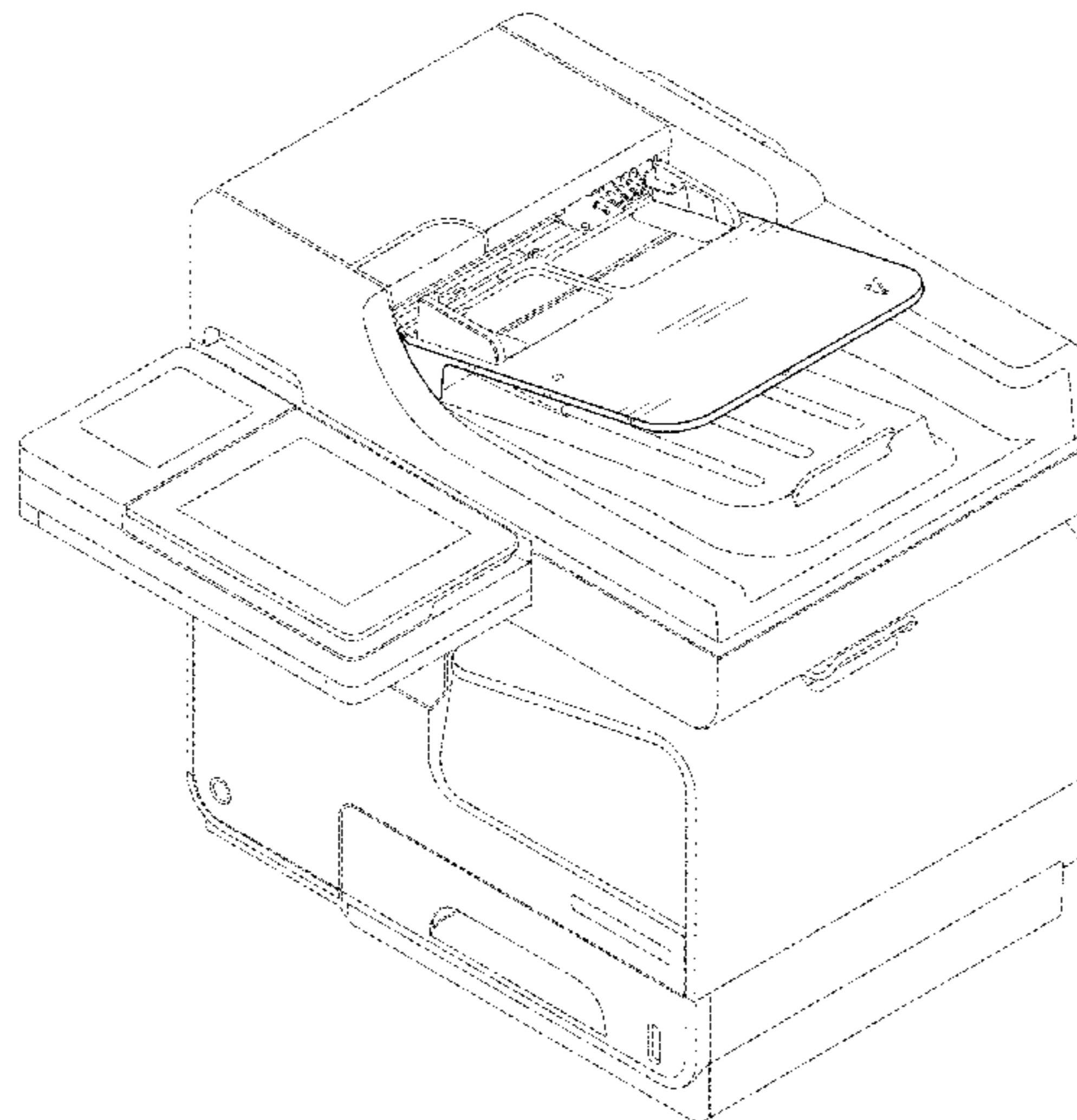
FIG. 4 is a top view of the example printer of FIG. 1;

FIG. 5 is a left side view of the example printer of FIG. 1; and,

FIG. 6 is a back view of the example printer of FIG. 1.

The broken lines are shown for the purpose of depicting portions of the article and form no part of the claimed design.

**1 Claim, 6 Drawing Sheets**



(56)

**References Cited**

**OTHER PUBLICATIONS**

U.S. PATENT DOCUMENTS

D665,012	S	*	8/2012	Saito et al.	.....	D18/39
D666,239	S	*	8/2012	Larson et al.	.....	D18/55
D667,488	S	*	9/2012	Inoue et al.	.....	D18/55
D695,339	S	*	12/2013	Fukasawa et al.	.....	D18/55
D705,781	S	*	5/2014	Yin et al.	.....	D14/421
2004/0081495	A1	*	4/2004	Nakamura	.....	399/367
2007/0252861	A1	*	11/2007	Wu et al.	.....	347/19
2014/0118455	A1	*	5/2014	Kuribayashi	.....	347/118

Hewlett-Packard Development Company, L.P., "HP Officejet Pro X476dn Multifunction Printer," Jan. 2013, 2 pages.  
Hewlett-Packard Development Company, L.P., "HP Officejet Pro X551dw Printer," Jan. 2013, 2 pages.  
Hewlett-Packard Development Company, L.P., "LaserJet Enterprise 500 color MFP M575 series," Jul. 2013, 4 pages.

\* cited by examiner

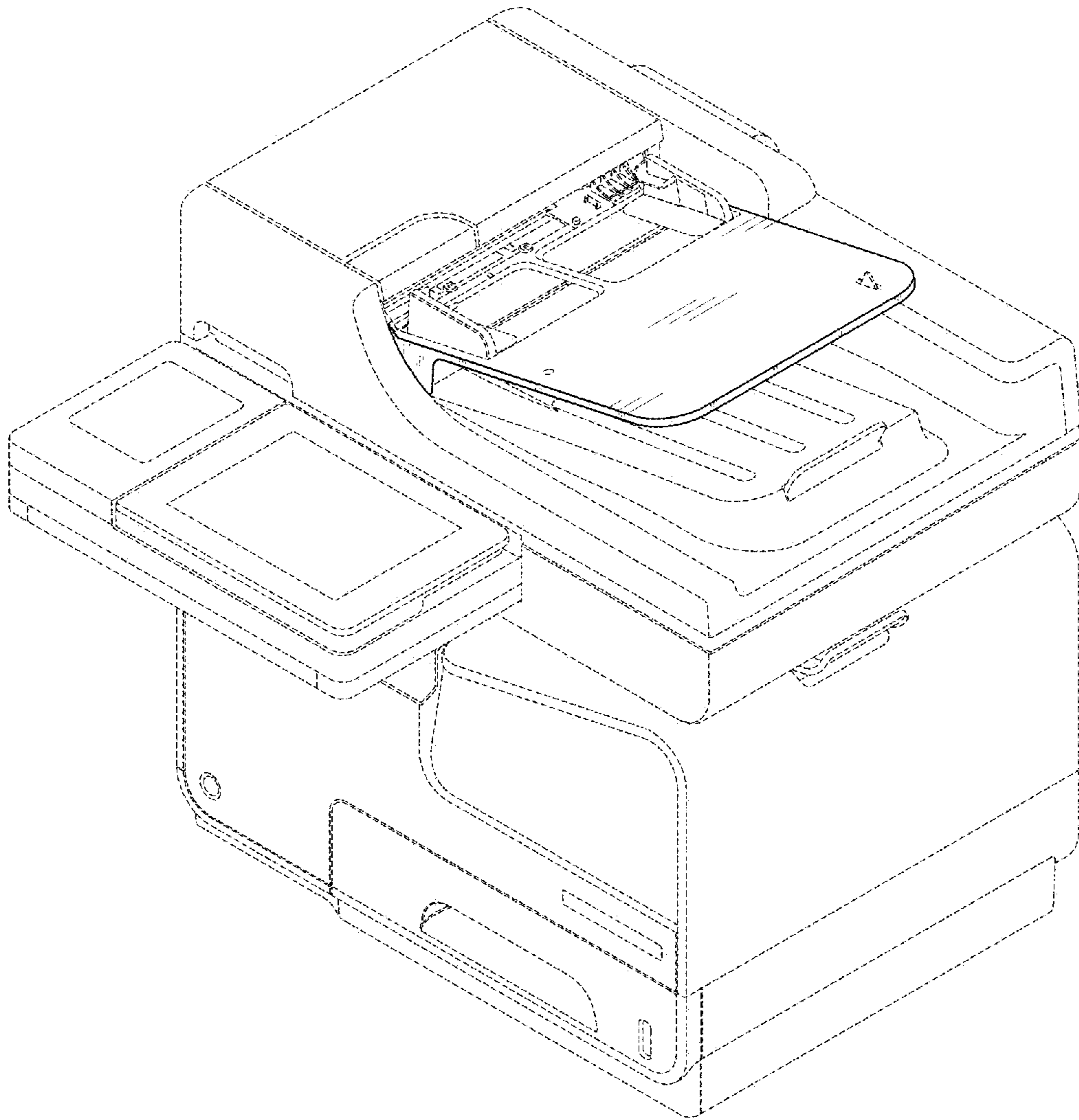


FIG. 1

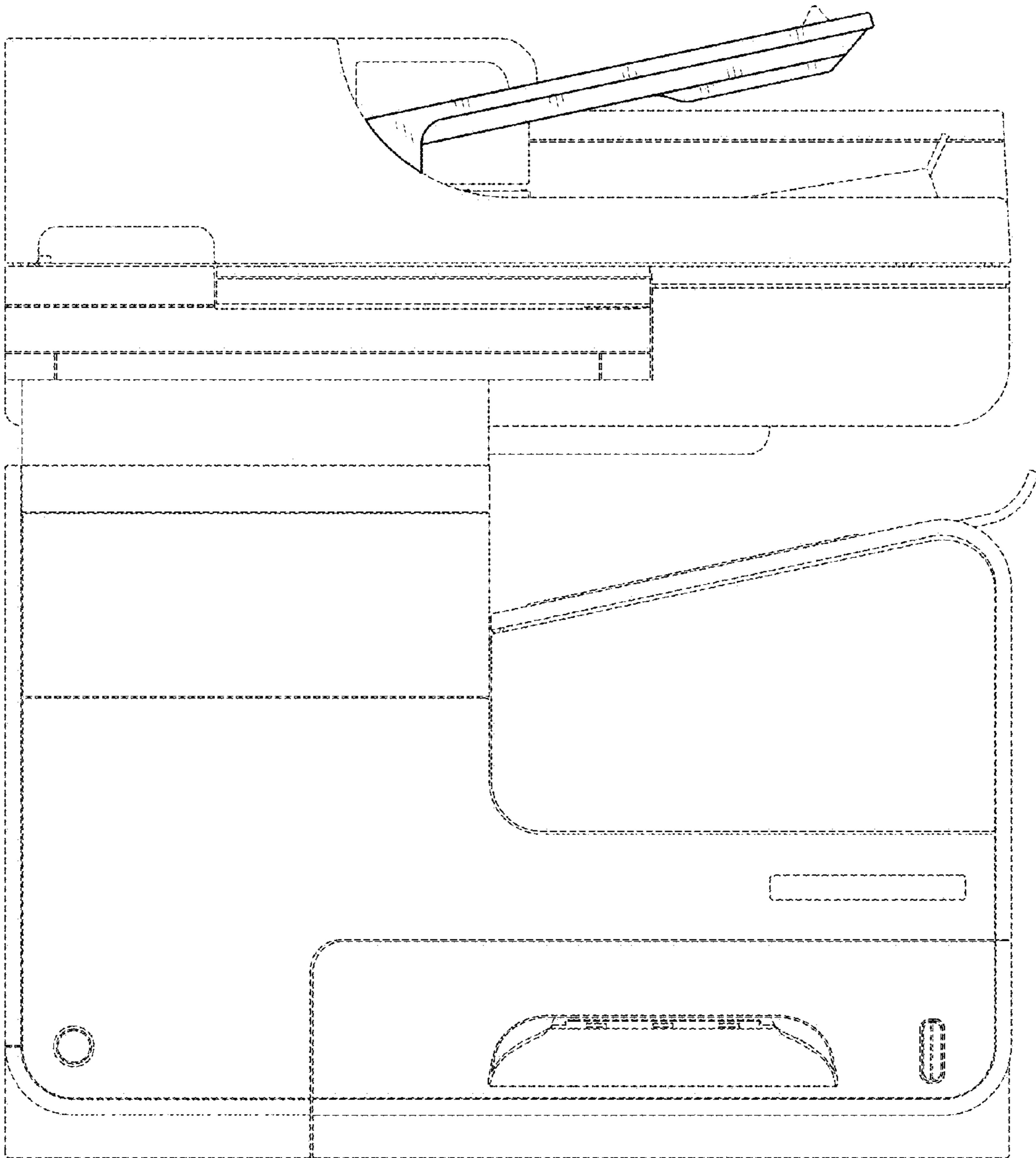


FIG. 2

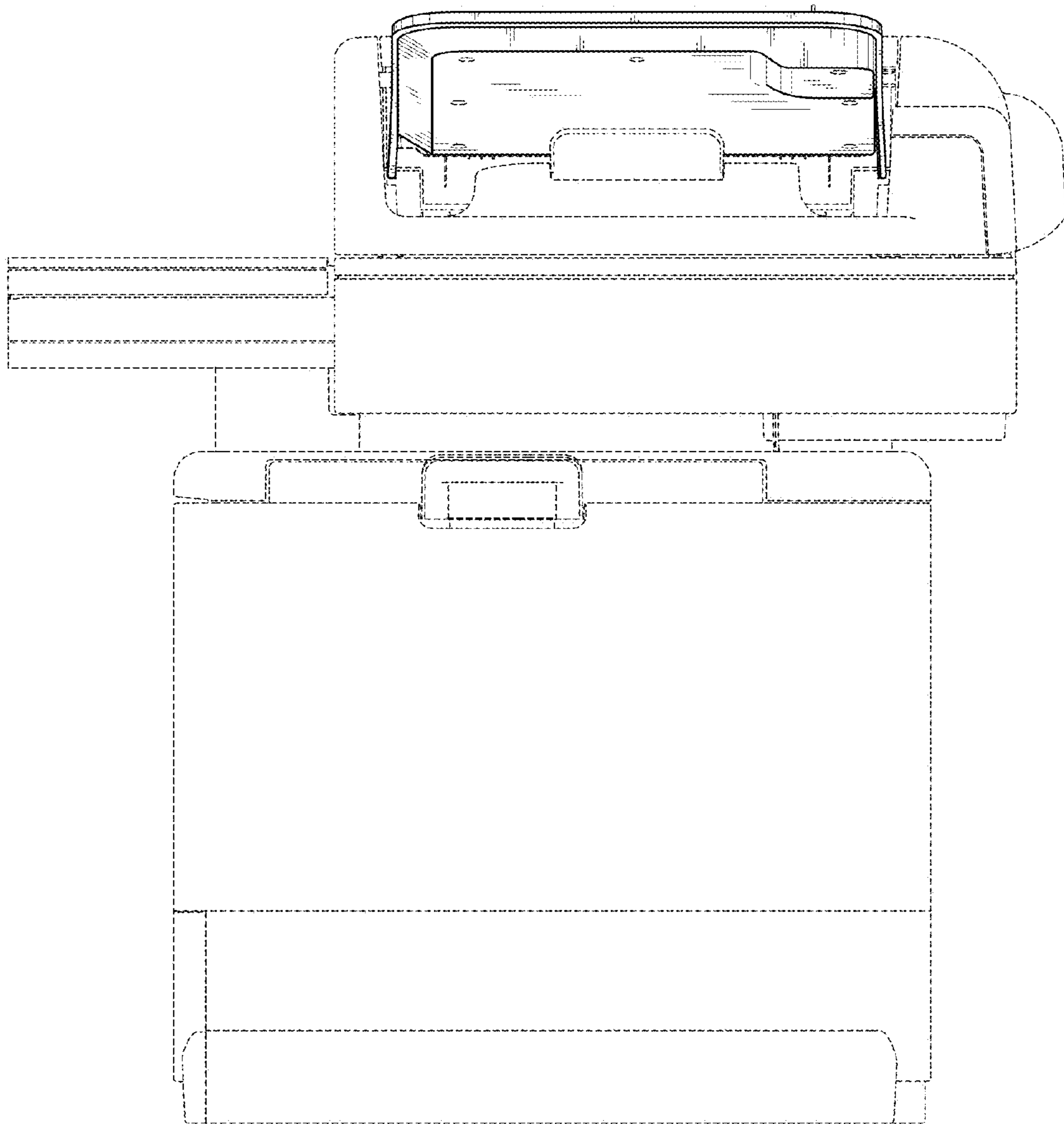


FIG. 3



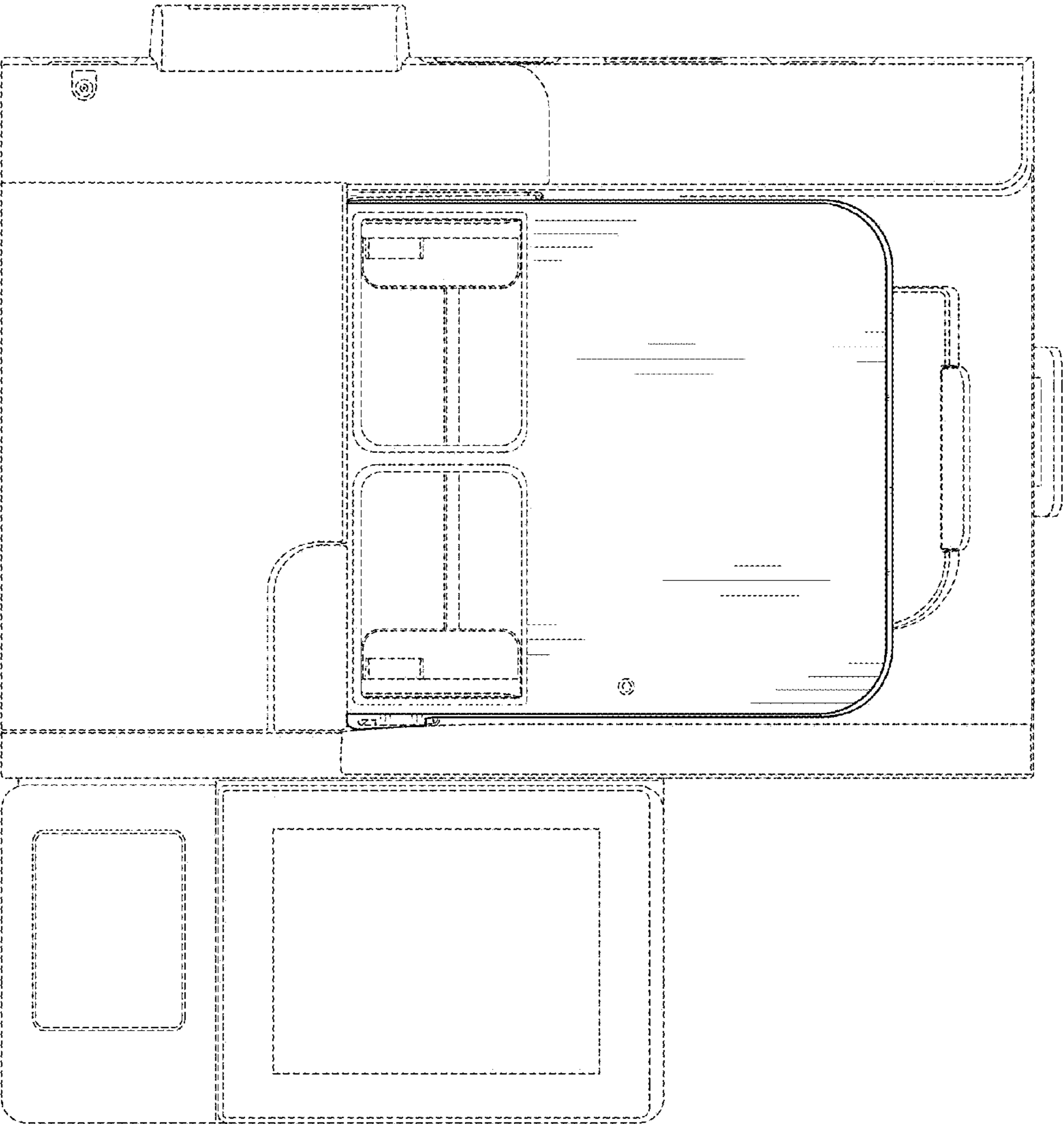


FIG. 4

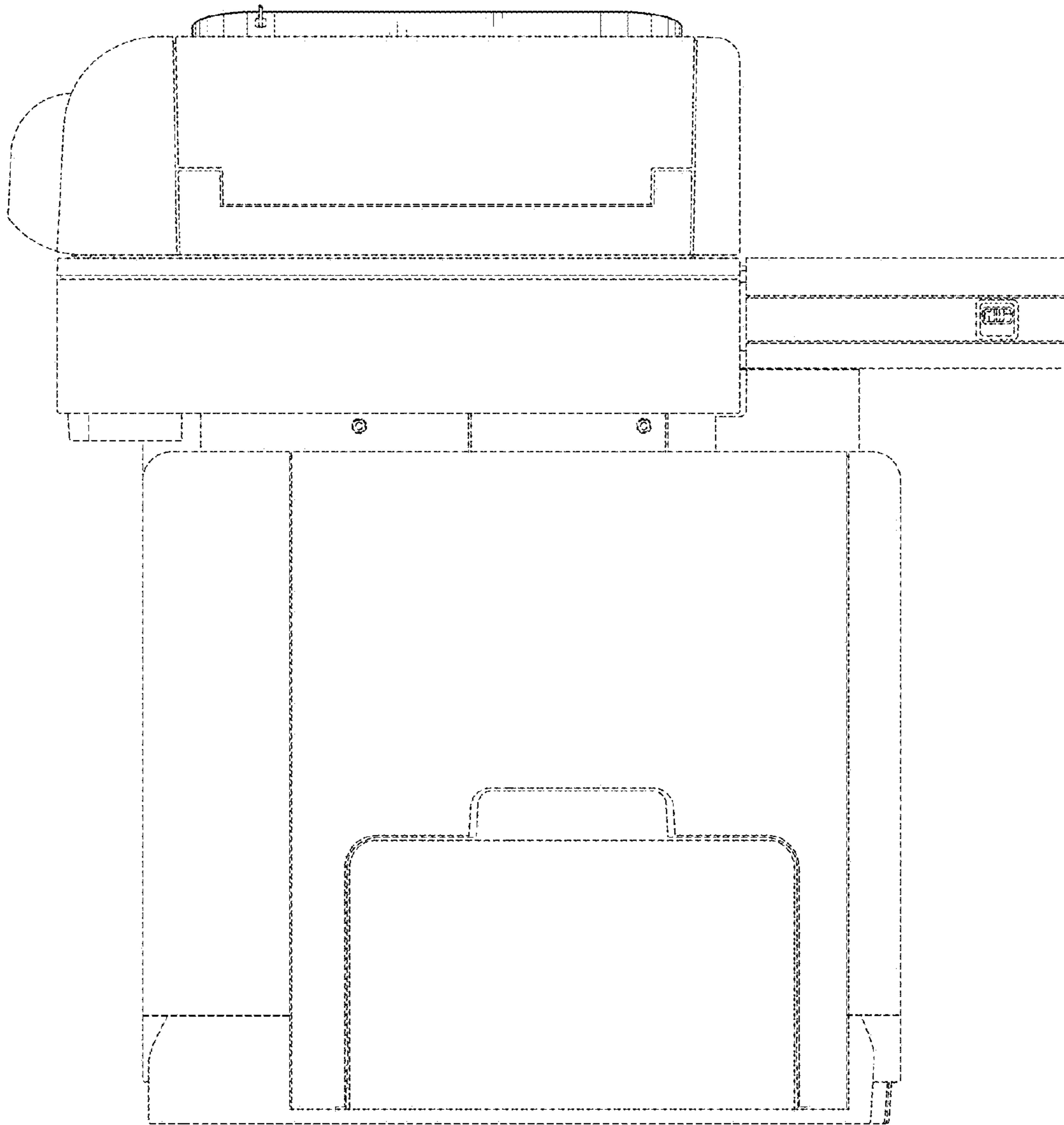


FIG. 5

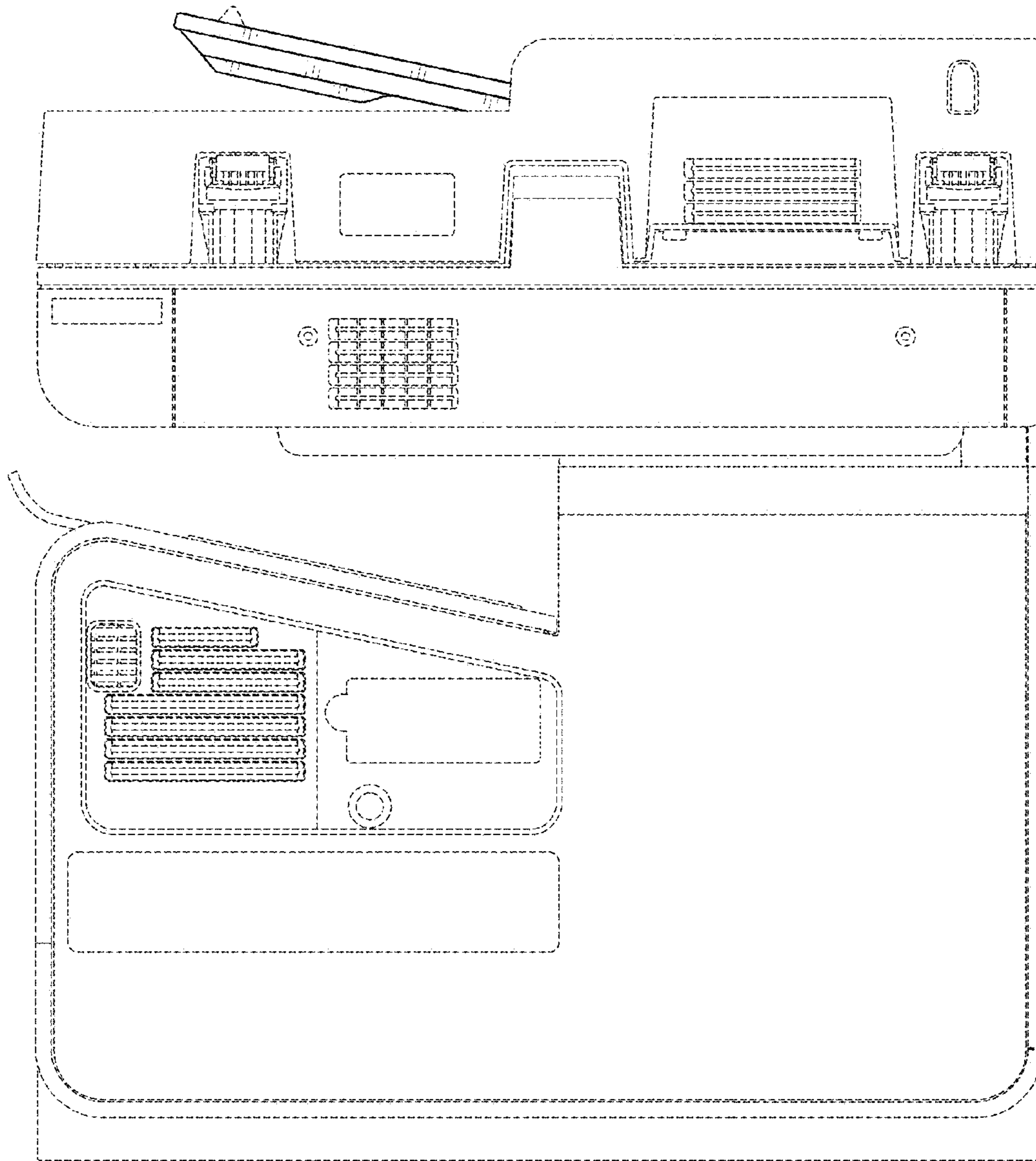


FIG. 6