



US00D738955S

(12) **United States Design Patent**
Miller

(10) **Patent No.:** **US D738,955 S**
(45) **Date of Patent:** **** Sep. 15, 2015**

(54) **RIM SHOCK**

FOREIGN PATENT DOCUMENTS

(71) Applicant: **Dale William Miller**, Oakhurst, NJ (US)

EP 1503364 A1 * 2/2005 G10D 13/02
JP 3177438 U * 8/2012

(72) Inventor: **Dale William Miller**, Oakhurst, NJ (US)

* cited by examiner

(**) Term: **14 Years**

Primary Examiner — Rashida Johnson

(21) Appl. No.: **29/477,714**

(57) **CLAIM**

(22) Filed: **Dec. 26, 2013**

The ornamental design for a rim shock, as shown and described.

(51) **LOC (10) Cl.** **17-04**

DESCRIPTION

(52) **U.S. Cl.**
USPC **D17/22**

FIG. 1 is a perspective view of a rim shock;
FIG. 2 is a front elevational view thereof;
FIG. 3 is a rear elevational view thereof;
FIG. 4 is a top plan view thereof;
FIG. 5 is a bottom elevational view thereof;
FIG. 6 is a left-side elevational view thereof;
FIG. 7 is a right-side elevational view thereof; and,
FIG. 8 is a perspective view thereof.

(58) **Field of Classification Search**
USPC D17/22, 99
See application file for complete search history.

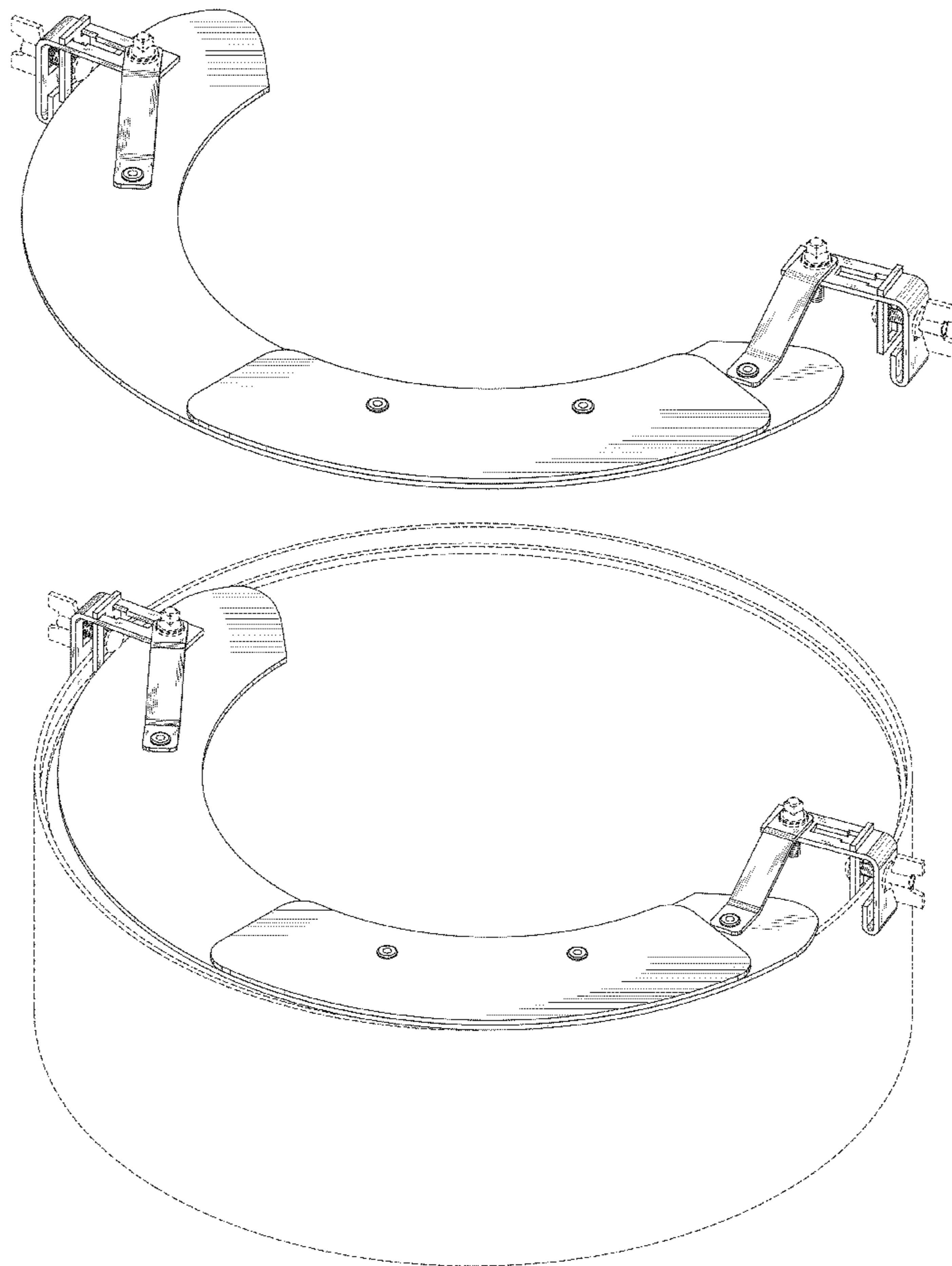
The broken line showing of a plurality of wing nuts in FIGS. 1-8 and the broken line showing of a drum in FIG. 8 are included for the purpose of showing environmental structure and form no part of the claimed design.

(56) **References Cited**

U.S. PATENT DOCUMENTS

D302,435 S *	7/1989	Pearse	D17/20
D347,019 S *	5/1994	Yould	D17/22
5,977,463 A *	11/1999	Bartlett	84/413
D611,524 S *	3/2010	Lawrence, III	D17/22
2003/0029301 A1 *	2/2003	Belli	84/411 R

1 Claim, 8 Drawing Sheets



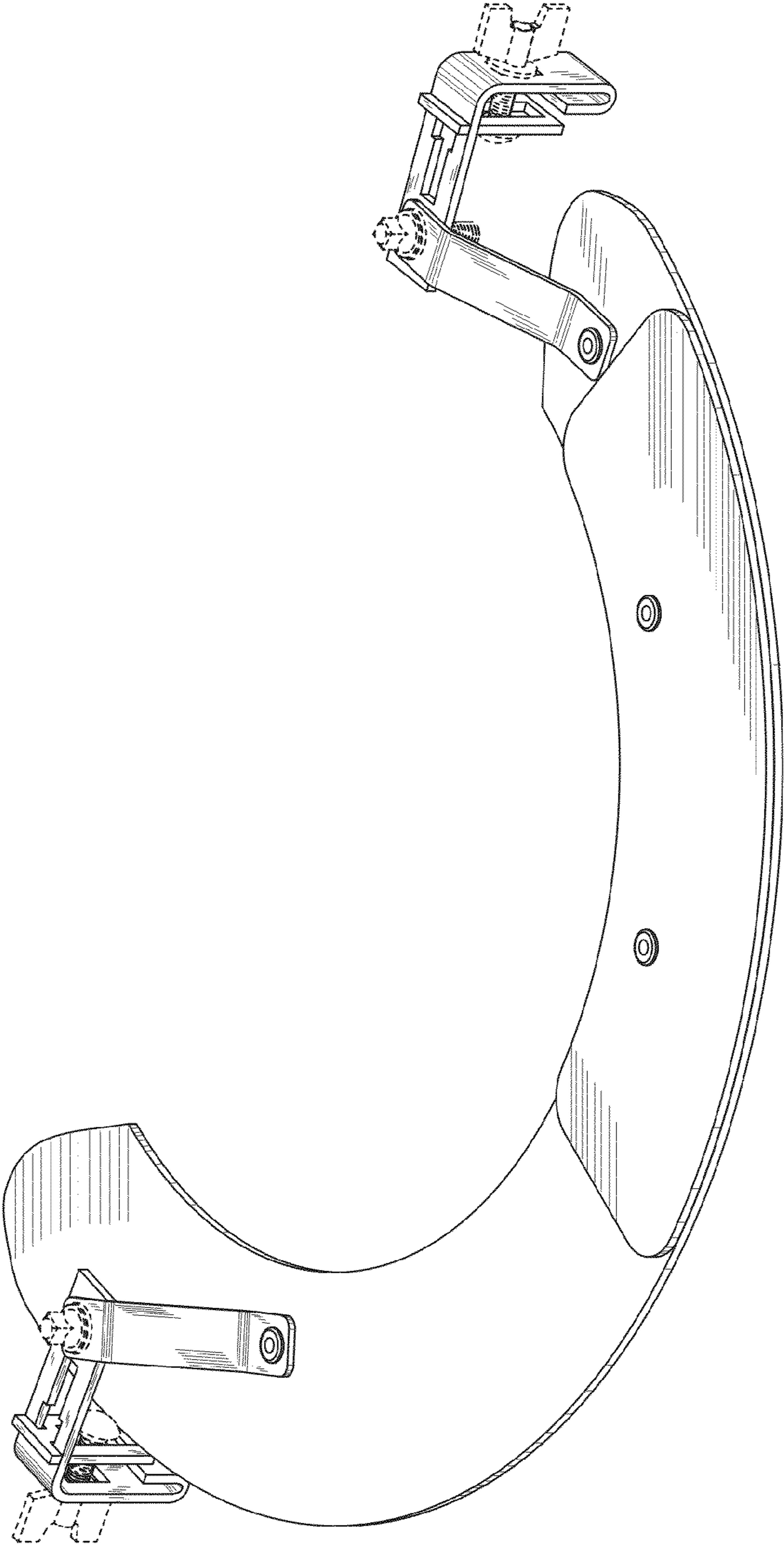


FIG. 1

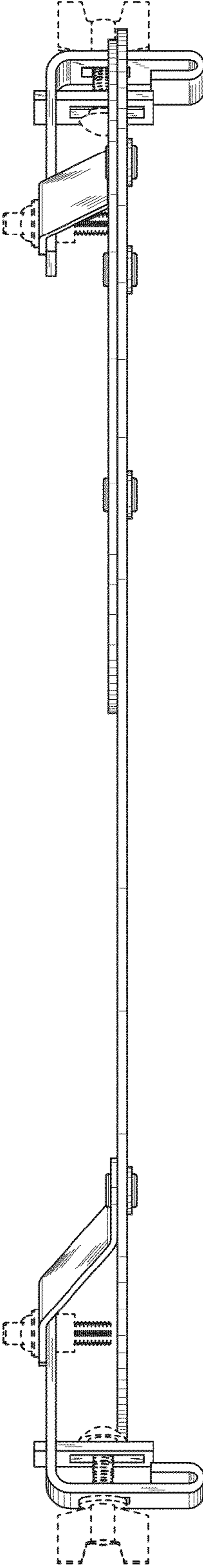


FIG. 2

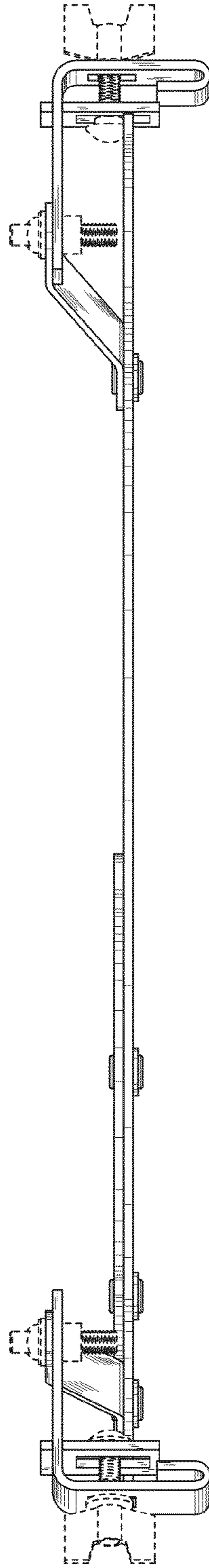


FIG. 3

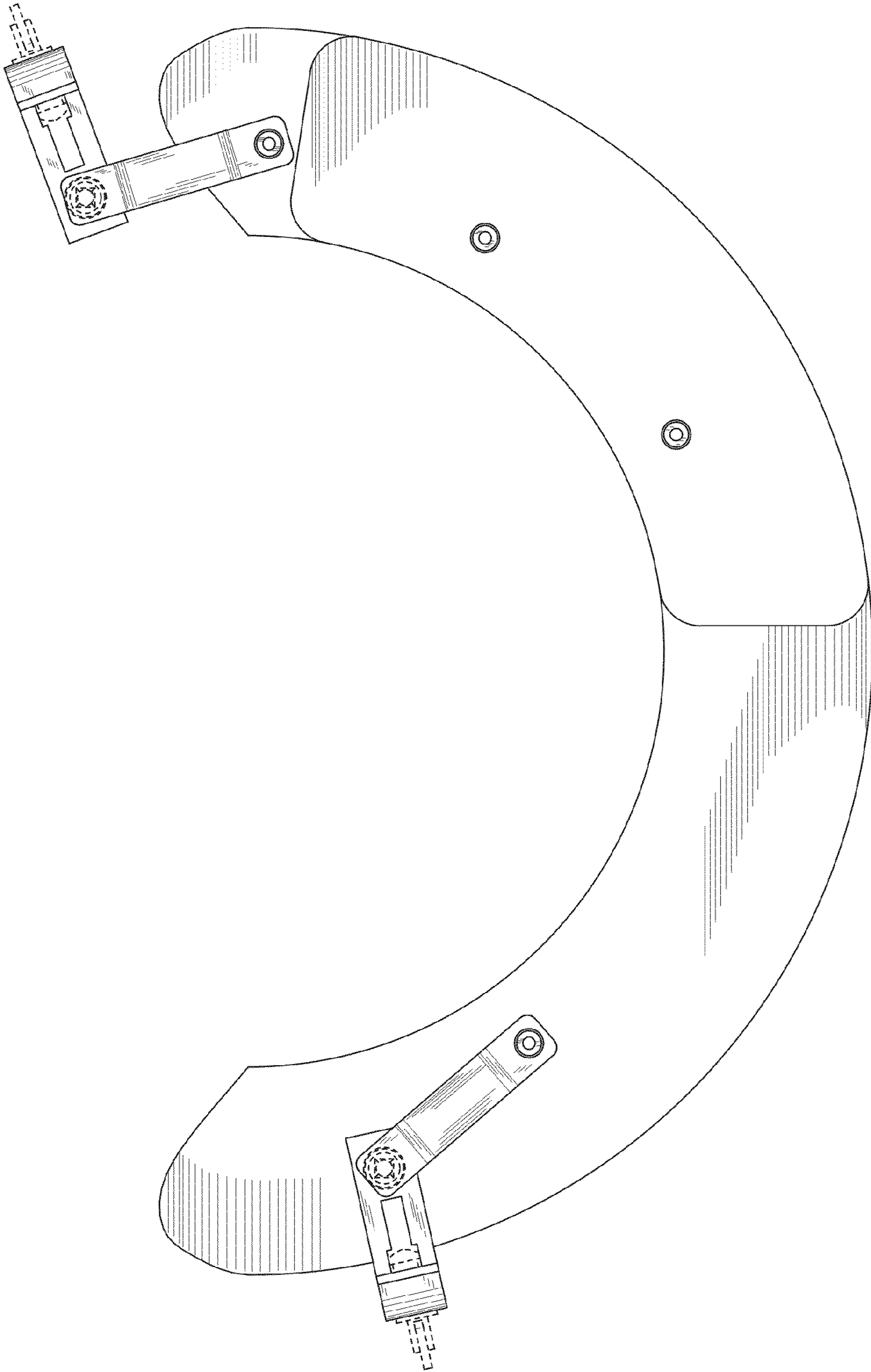


FIG. 4

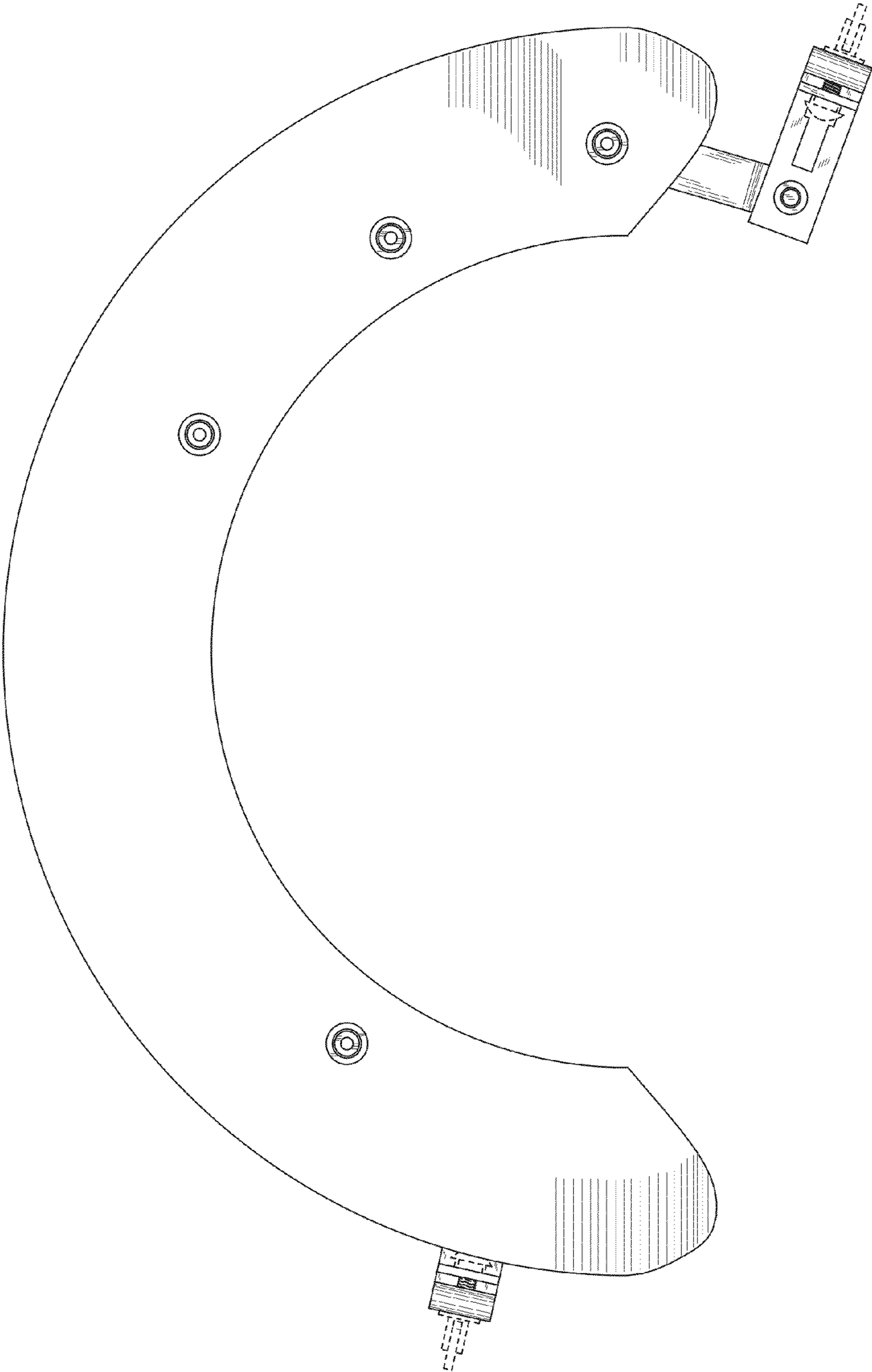


FIG. 5

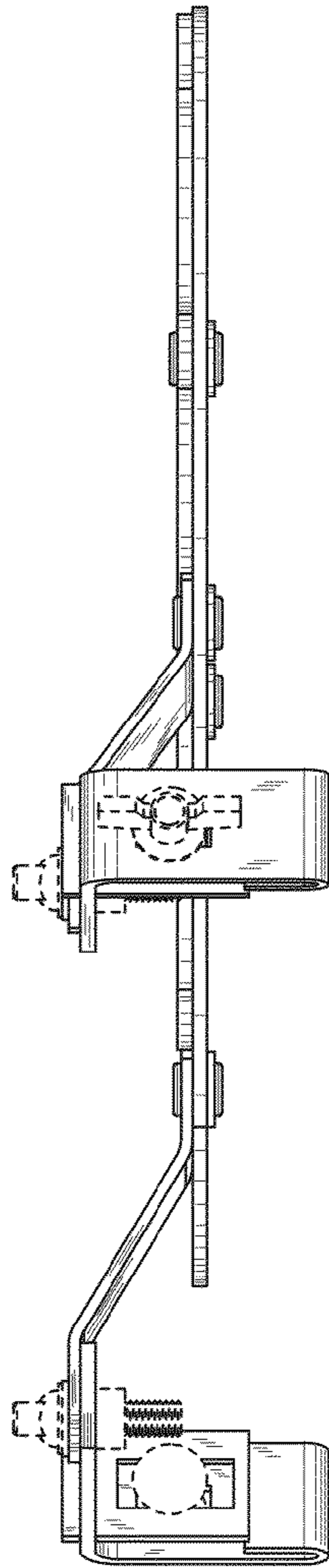


FIG. 6

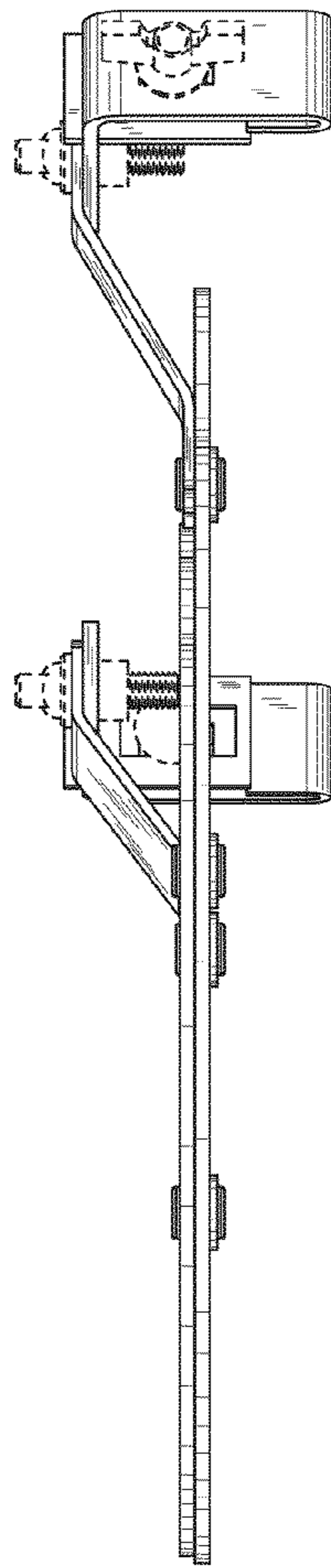


FIG. 7

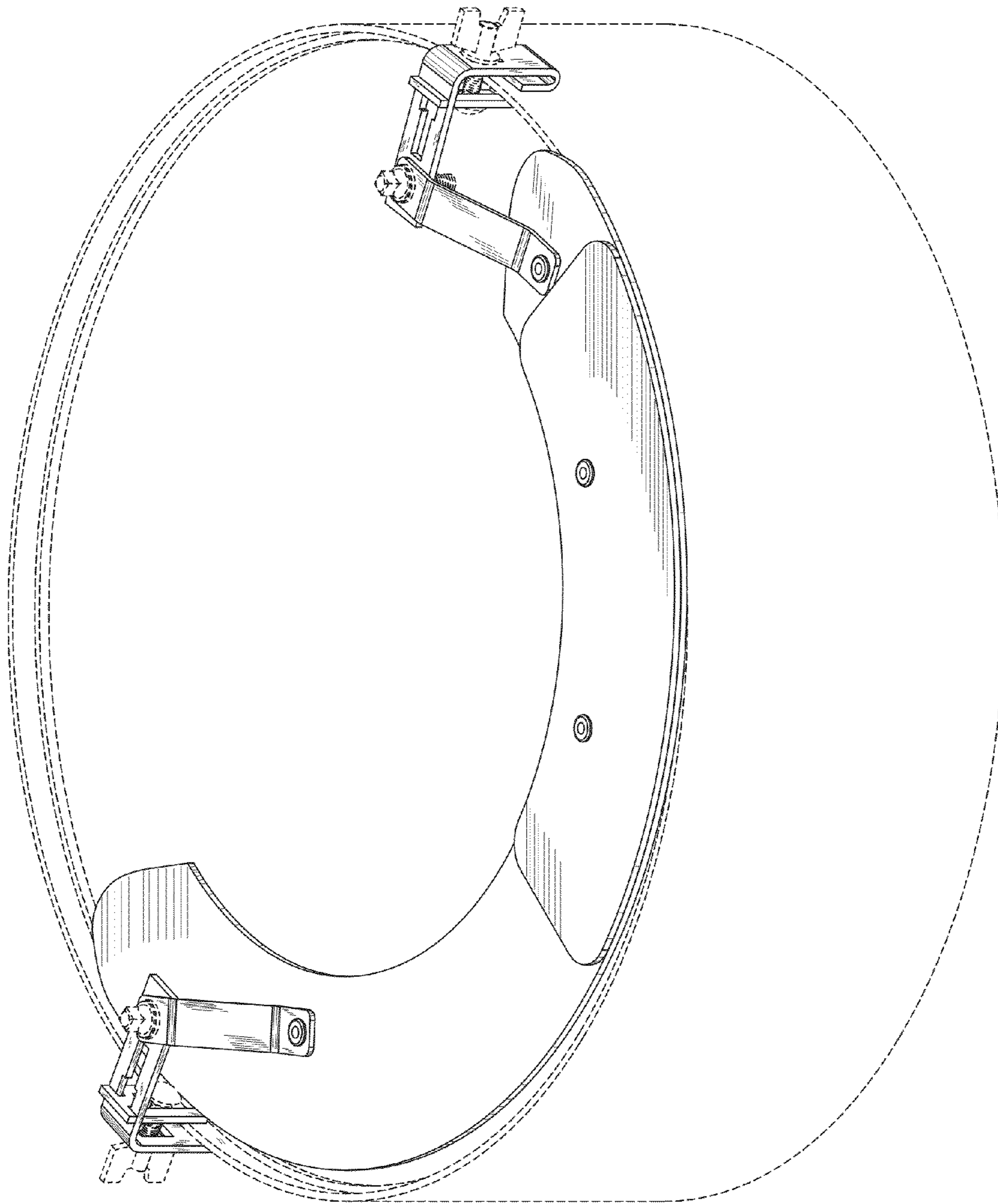


FIG. 8