



US00D738952S

(12) **United States Design Patent**
Pisharodi

(10) **Patent No.:** **US D738,952 S**

(45) **Date of Patent:** **** Sep. 15, 2015**

(54) **SUN SHIELD HAVING A TOP PANEL AND A PAIR OF SIDE PANELS**

(74) *Attorney, Agent, or Firm* — D'Ambrosio & Menon, PLLC; Usha Menon

(71) Applicant: **Perumala Corporation**, Brownsville, TX (US)

(57) **CLAIM**
The ornamental design for a sun shield having a top panel and a pair of side panels, as shown and described.

(72) Inventor: **Madhavan Pisharodi**, Brownsville, TX (US)

DESCRIPTION

(73) Assignee: **Perumala Corporation**, Brownsville, TX (US)

FIG. 1 is a plane view of a sun shield having a top panel and a pair of side panels showing my novel and non-obvious design, where the top panel is in a straight position and the pair of side panels is in a bended position.

(**) Term: **14 Years**

FIG. 2 is a plane view thereof with the top panel of my sun shield in an inclined position and with side panels in a bended position.

(21) Appl. No.: **29/485,763**

FIG. 3 is a plane view thereof with the top panel and the side panels of my sun shield in a straight position.

(22) Filed: **Mar. 21, 2014**

FIG. 4 is a top elevational view thereof with the top panel and the side panels of my sun shield in an inclined position.

(51) **LOC (10) Cl.** **16-06**

(52) **U.S. Cl.**

USPC **D16/340**; D16/310; D16/337

(58) **Field of Classification Search**

USPC D14/125-134, 239, 371, 136, 374-377, D14/440, 450, 448, 336, 342, 159, 372; 312/7.2; D16/101, 300-342; 351/41, 351/44, 158; D10/15, 26; 446/484, 175, 446/356; D6/477, 479, 300; 2/12-15

See application file for complete search history.

FIG. 5 is a plane view thereof.

FIG. 6 is a top elevational view thereof with the top panel of my sun shield extended in a straight position.

FIG. 7 is a front view thereof with the top panel of my sun shield extended in a straight position.

FIG. 8 is a side view thereof with the side panel of my sun shield extended in a straight position.

FIG. 9 is a top elevational view thereof with the top panel of my sun shield extended in an inclined position.

FIG. 10 is a front view thereof with the top panel of my sun shield extended in a inclined position.

FIG. 11 is a rear view thereof with the top panel of my sun shield extended in a inclined position; and,

FIG. 12 is a side view thereof with the side panel of my sun shield extended in an inclined position.

Any broken lines the figures are included for the purpose of illustrating a sunglasses and/or other glasses that form no part of the claimed design.

(56) **References Cited**

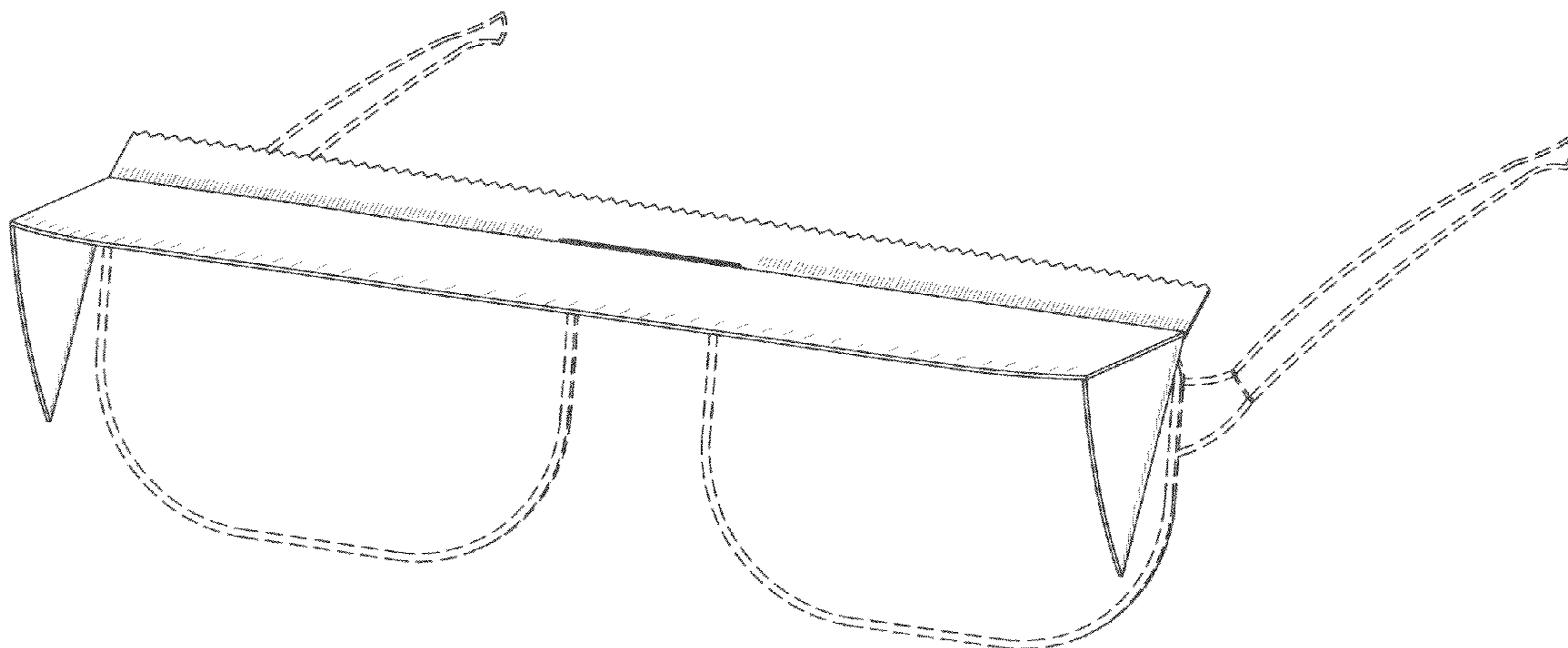
U.S. PATENT DOCUMENTS

D159,347 S *	7/1950	Jonassen	D16/310
D391,981 S *	3/1998	Chang	D16/310
5,907,868 A *	6/1999	Schleger et al.	2/10
D439,268 S *	3/2001	Ireland	D16/314
2005/0283879 A1 *	12/2005	Graves	2/15
2013/0125292 A1 *	5/2013	Weaver et al.	2/209.13

* cited by examiner

Primary Examiner — Raphael Barkai

1 Claim, 7 Drawing Sheets



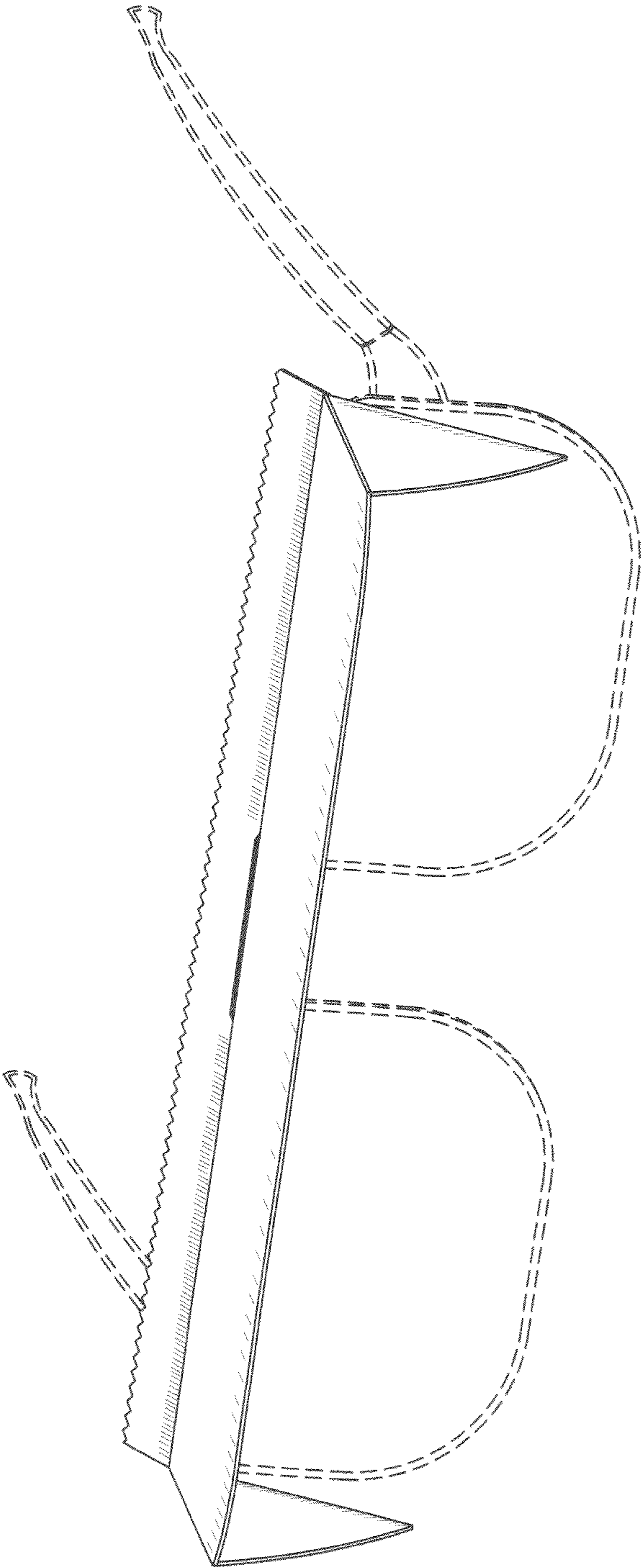


FIG. 1

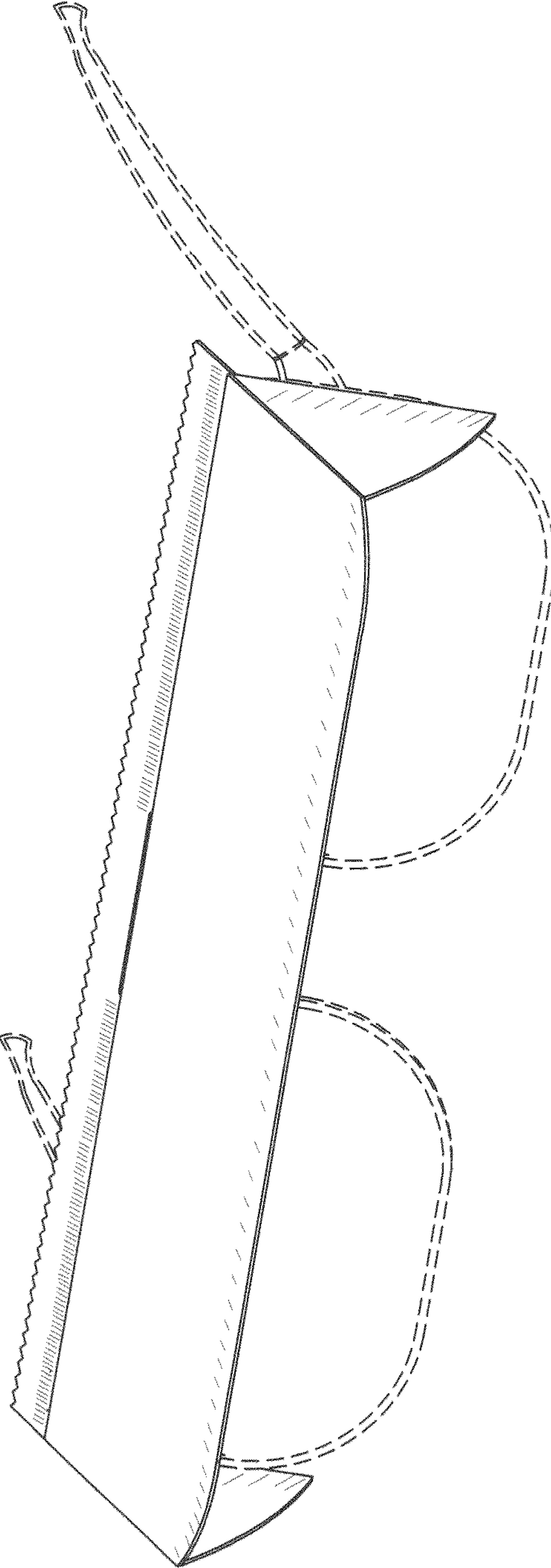


FIG. 2

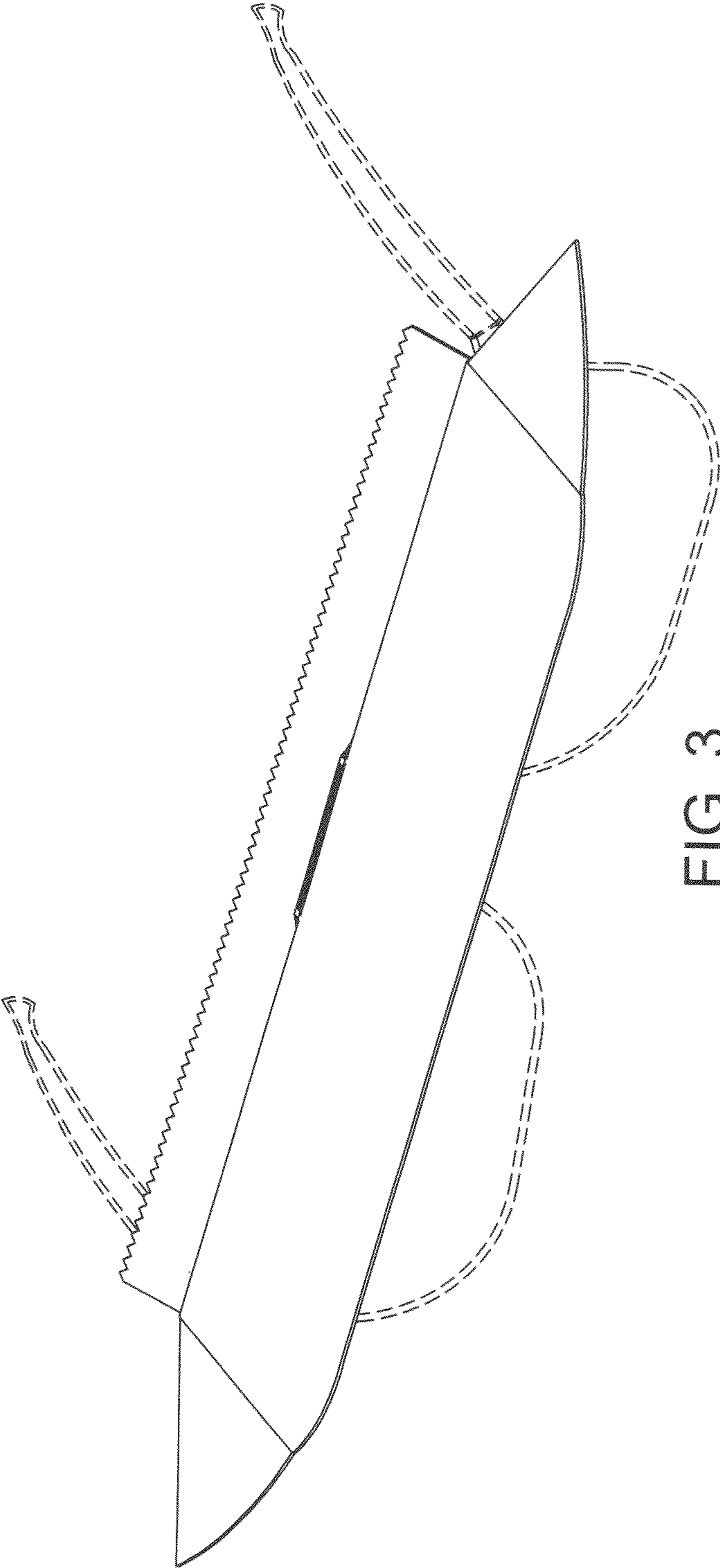


FIG. 3

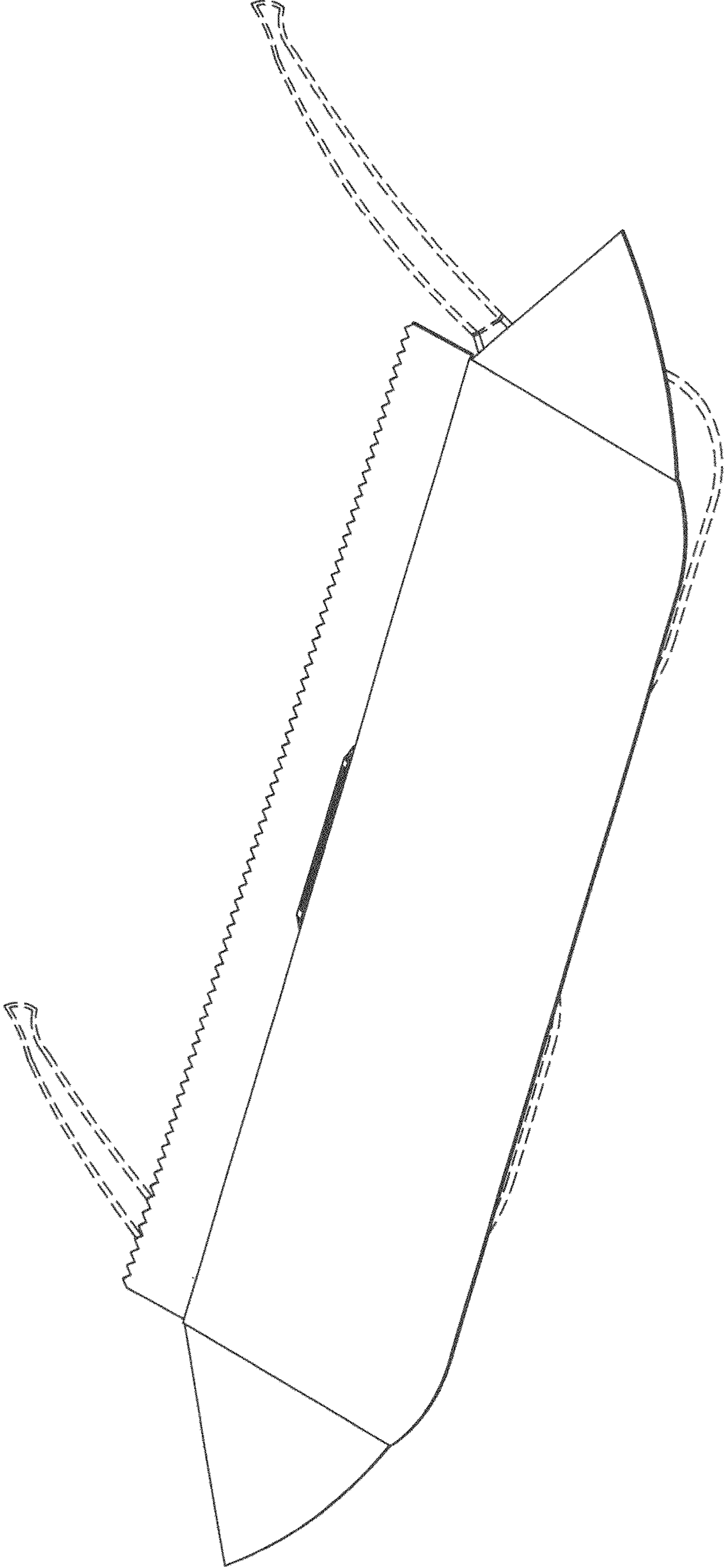


FIG. 4

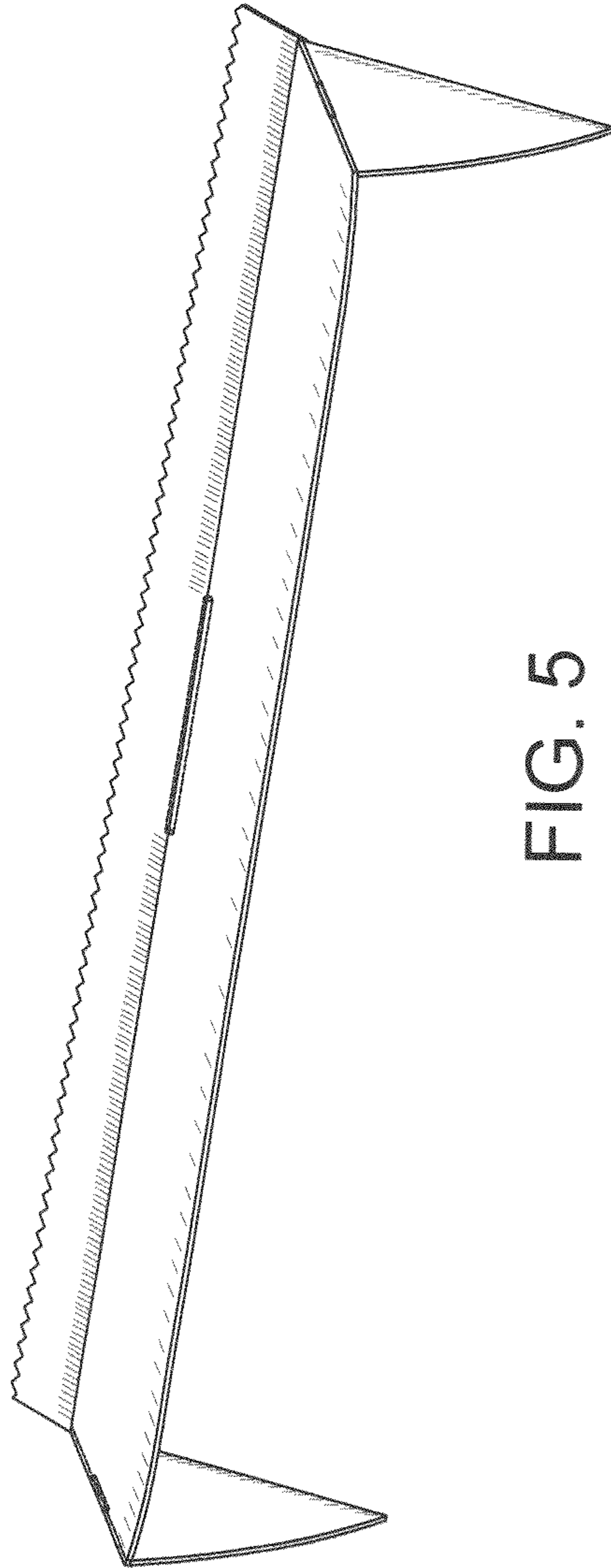


FIG. 5

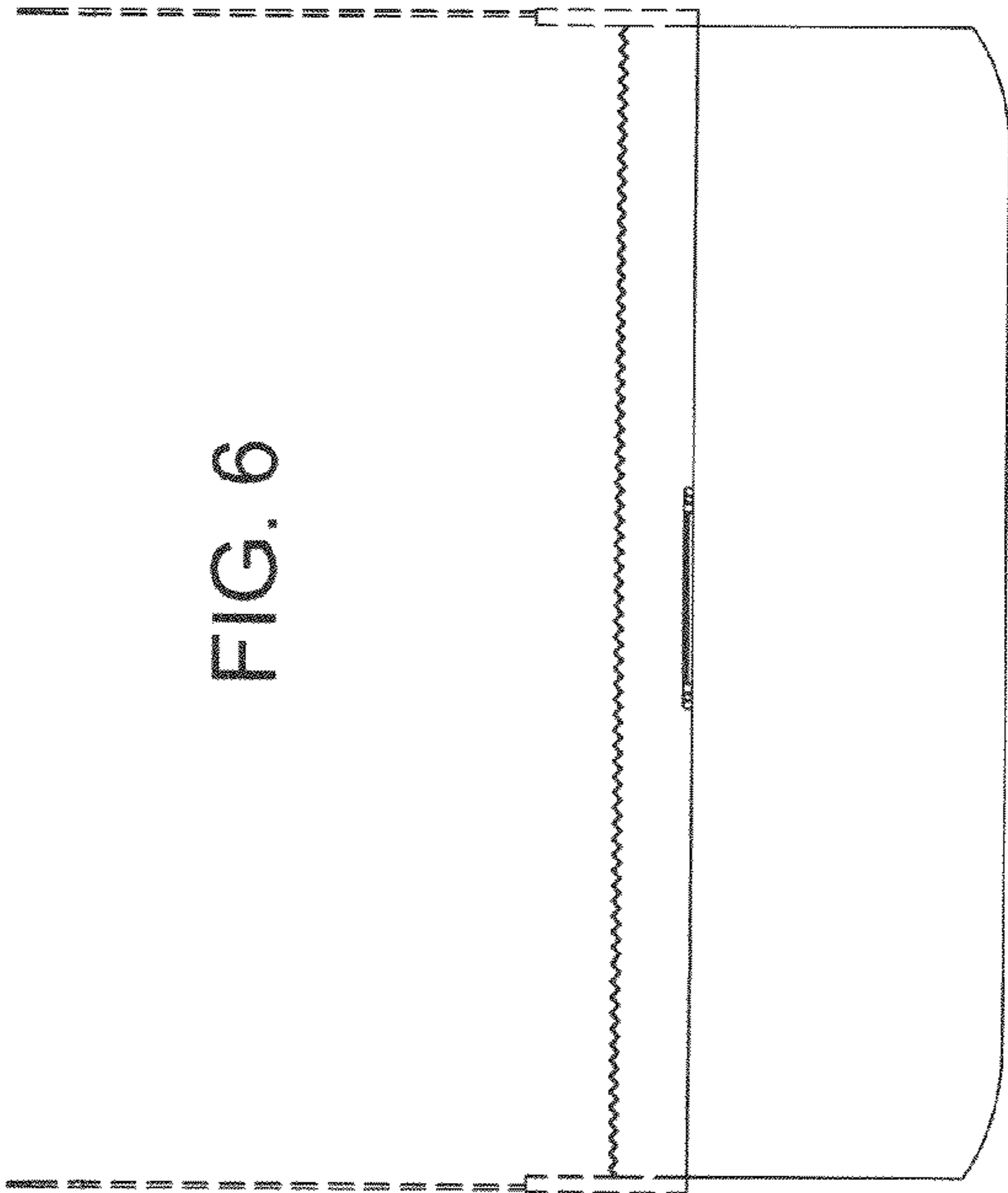


FIG. 6

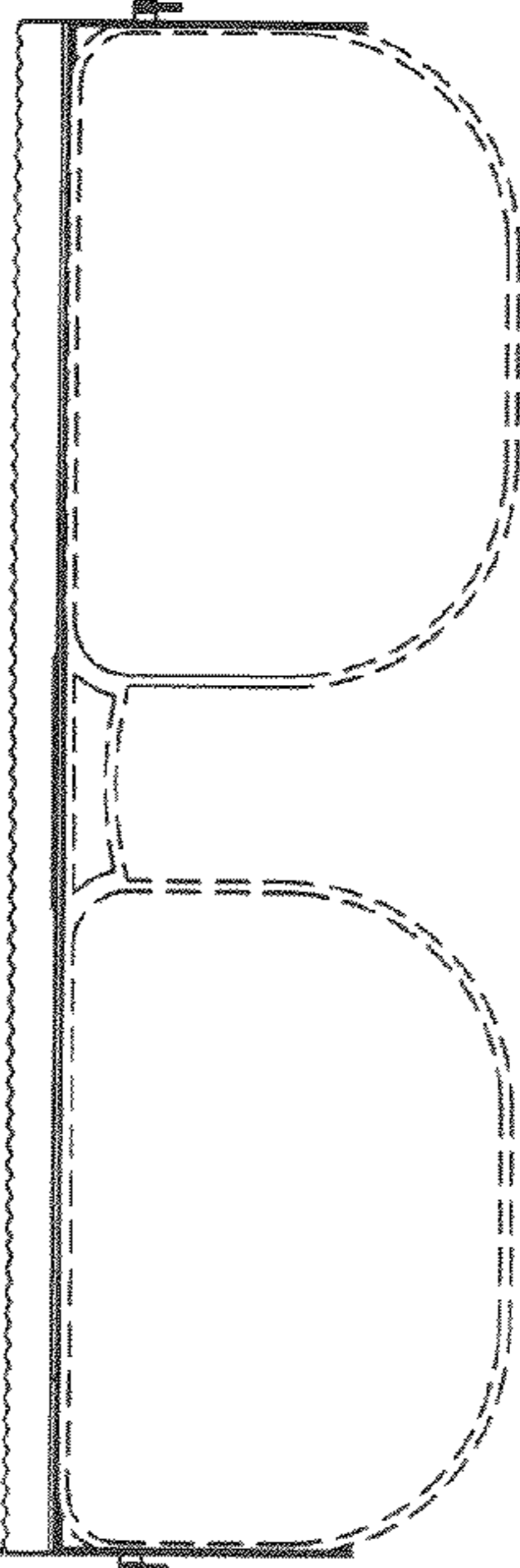


FIG. 7

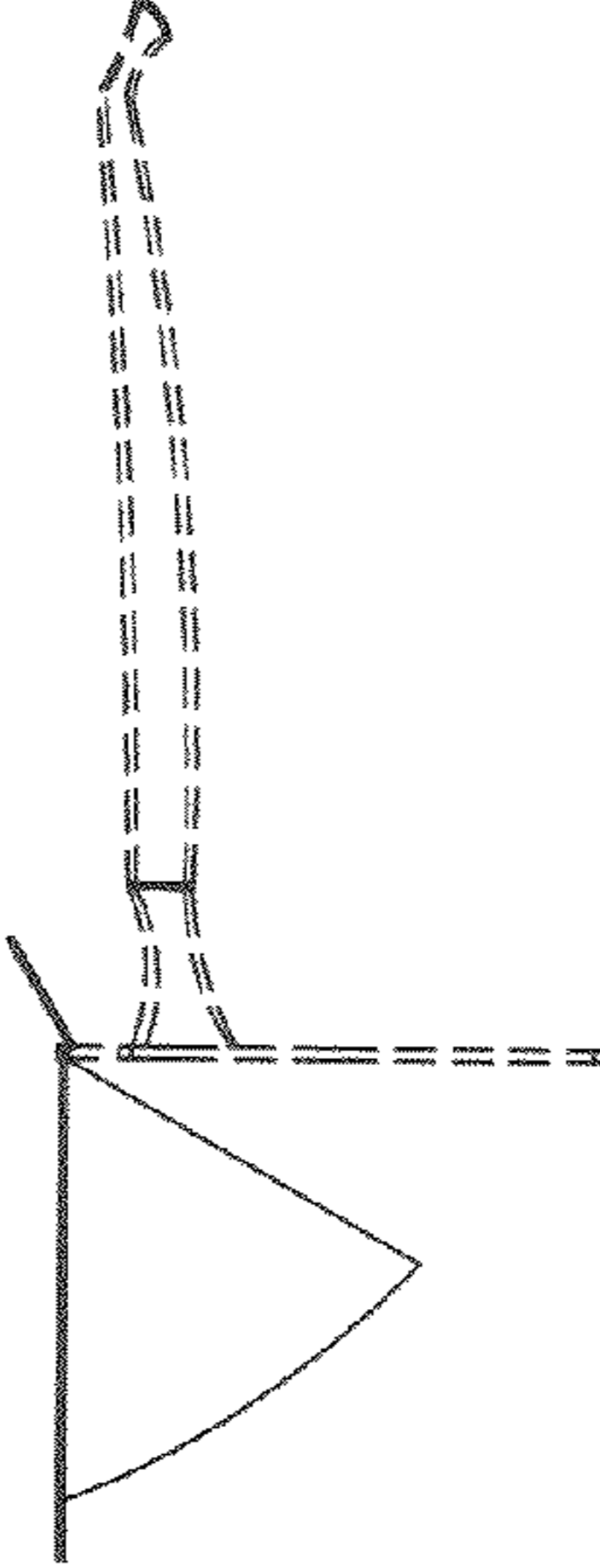


FIG. 8

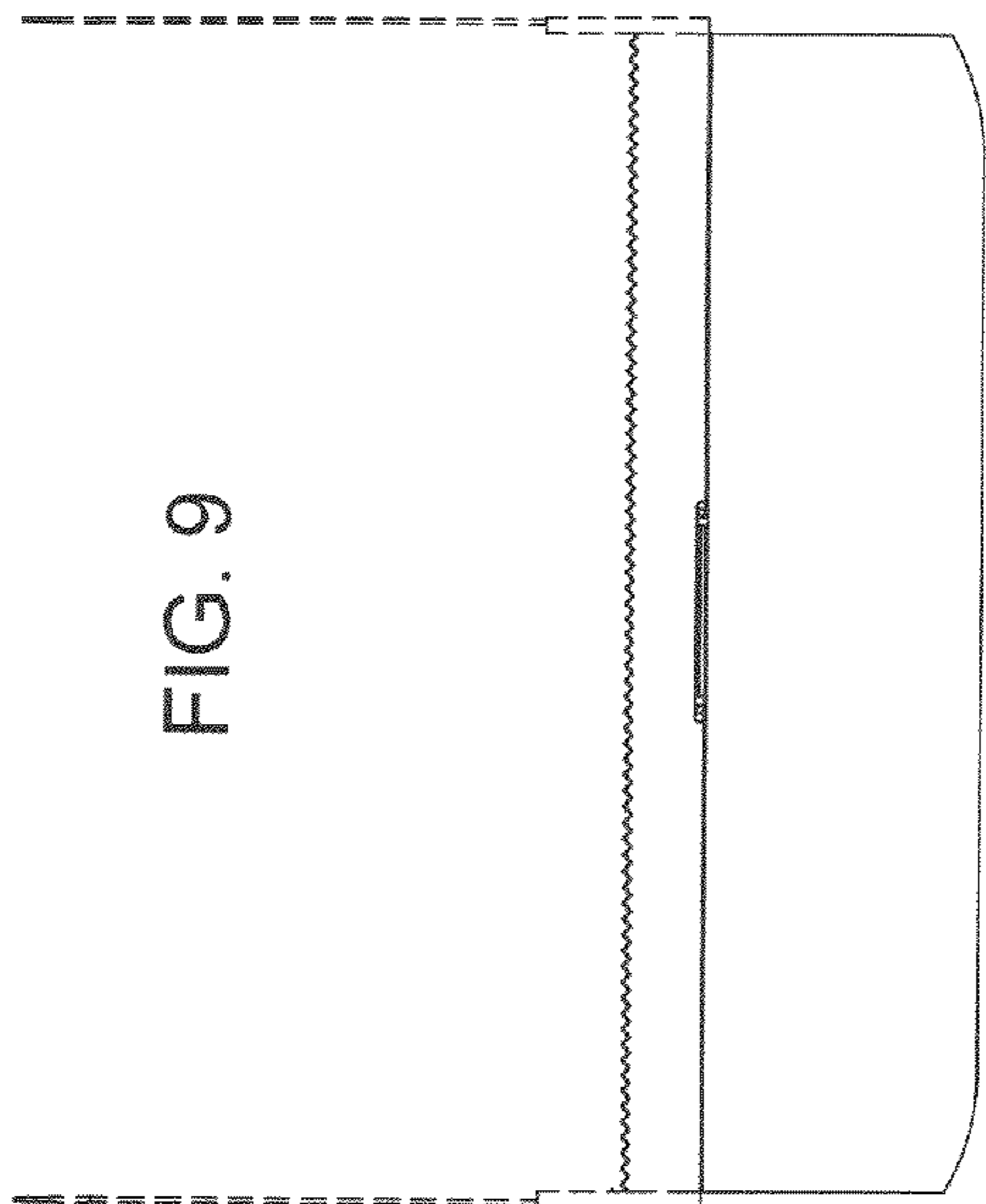


FIG. 9

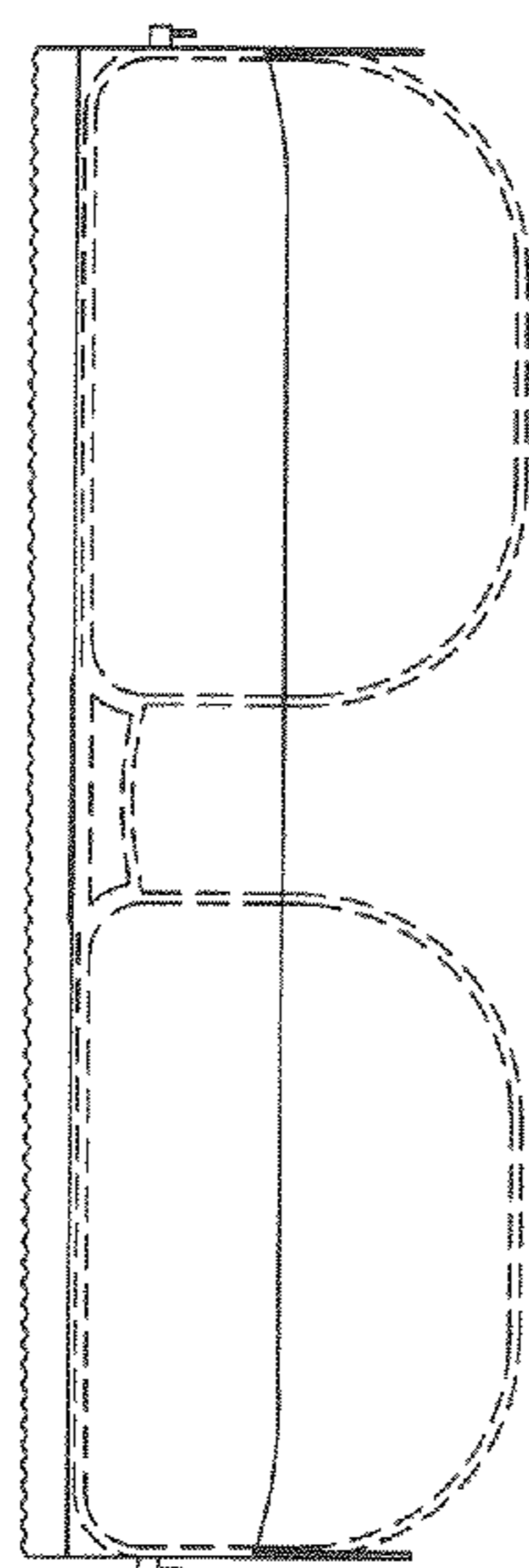


FIG. 10

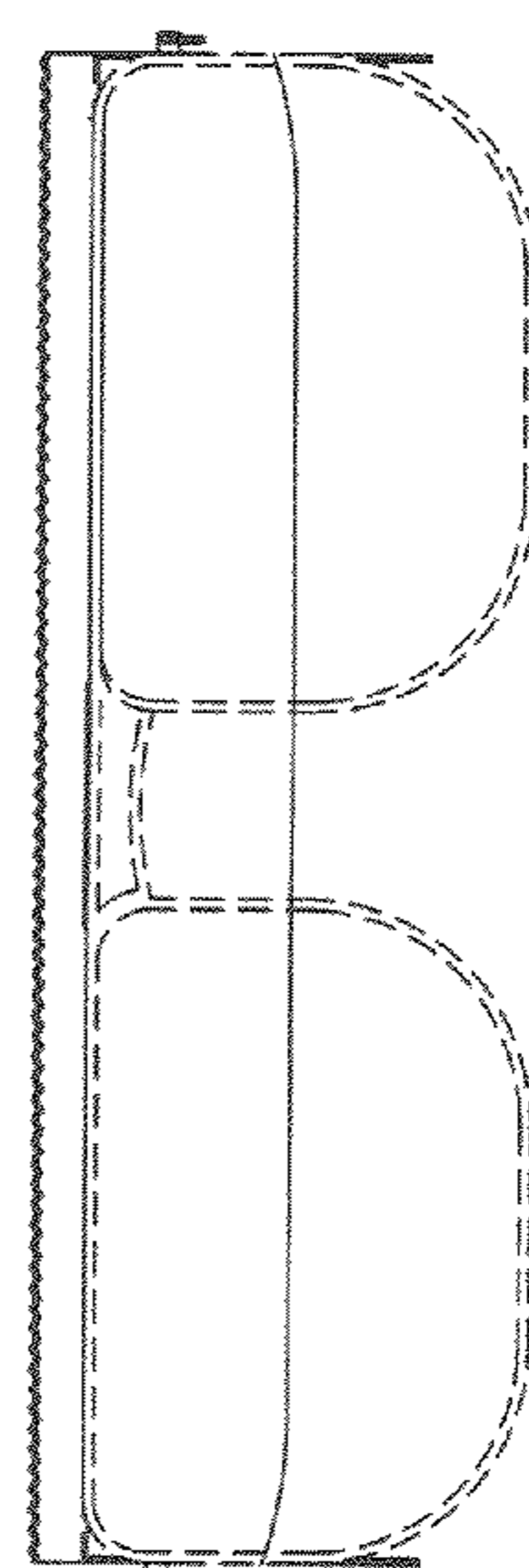


FIG. 11

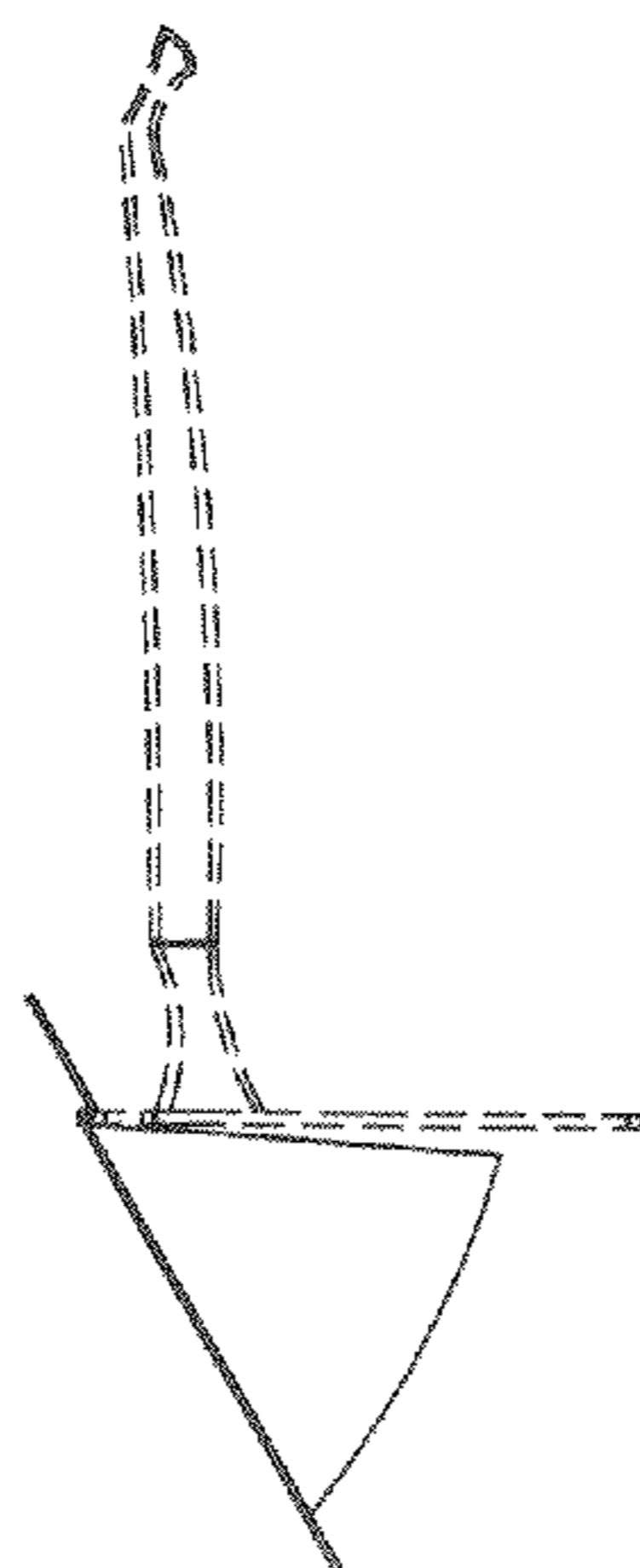


FIG. 12