



US00D738951S

(12) **United States Design Patent**
Coyle

(10) **Patent No.:** **US D738,951 S**

(45) **Date of Patent:** **** Sep. 15, 2015**

(54) **CAMERA GIMBAL**

(71) Applicant: **John Dean Coyle**, Queenstown (NZ)

(72) Inventor: **John Dean Coyle**, Queenstown (NZ)

(**) Term: **14 Years**

(21) Appl. No.: **29/482,338**

(22) Filed: **Feb. 18, 2014**

(51) **LOC (10) Cl.** **16-05**

(52) **U.S. Cl.**
USPC **D16/237**

(58) **Field of Classification Search**
USPC D16/134, 136, 208, 213–219, 235,
D16/237–245; D26/37, 38, 63; D14/239
CPC G03B 17/02–17/04; G03B 17/14;
G03B 17/56; G03B 17/561–17/568; G03B
21/20–21/2066; G03B 15/041–15/0436;
G02B 7/02–7/04; G02B 7/14; H04N
5/2251–5/2554

See application file for complete search history.

(56) **References Cited**

U.S. PATENT DOCUMENTS

D163,240 S *	5/1951	Bacchieri	D24/158
D257,039 S *	9/1980	Petrie	D14/239
D271,698 S *	12/1983	Shishido	D16/237
D457,673 S *	5/2002	Martinson et al.	D26/63
D476,439 S *	6/2003	O'Rourke	D26/63
D561,805 S *	2/2008	Tokiwa et al.	D16/208
D575,322 S *	8/2008	Aiba	D16/245

D577,453 S *	9/2008	Metlen	D26/63
D594,050 S *	6/2009	Gartner et al.	D16/237
D615,231 S *	5/2010	van Klinken	D26/63
D648,056 S *	11/2011	Muehlhaeusler et al.	D26/63
8,177,395 B2 *	5/2012	Alexander et al.	362/294
D694,802 S *	12/2013	Coyle et al.	D16/237

OTHER PUBLICATIONS

Shotover F1 Launched, Broadcast and Motion Picture Industry's Most Versatile Aerial Camera System. [online] Published Sep. 13, 2013. Retrieved from URL: <http://www.shotover.com/news/article/Most_Versatile_Aerial_Camera_System_Shotover_F1>.*

* cited by examiner

Primary Examiner — Susan Bennett Hattan

Assistant Examiner — Vy Koenig

(74) *Attorney, Agent, or Firm* — Law Offices of Eugene M. Cummings, P.C.

(57) **CLAIM**

The ornamental design for a camera gimbal, as shown.

DESCRIPTION

FIG. 1 is an isometric view of the camera gimbal.

FIG. 2 is a front elevation view of FIG. 1.

FIG. 3 is a left side elevation view of FIG. 1.

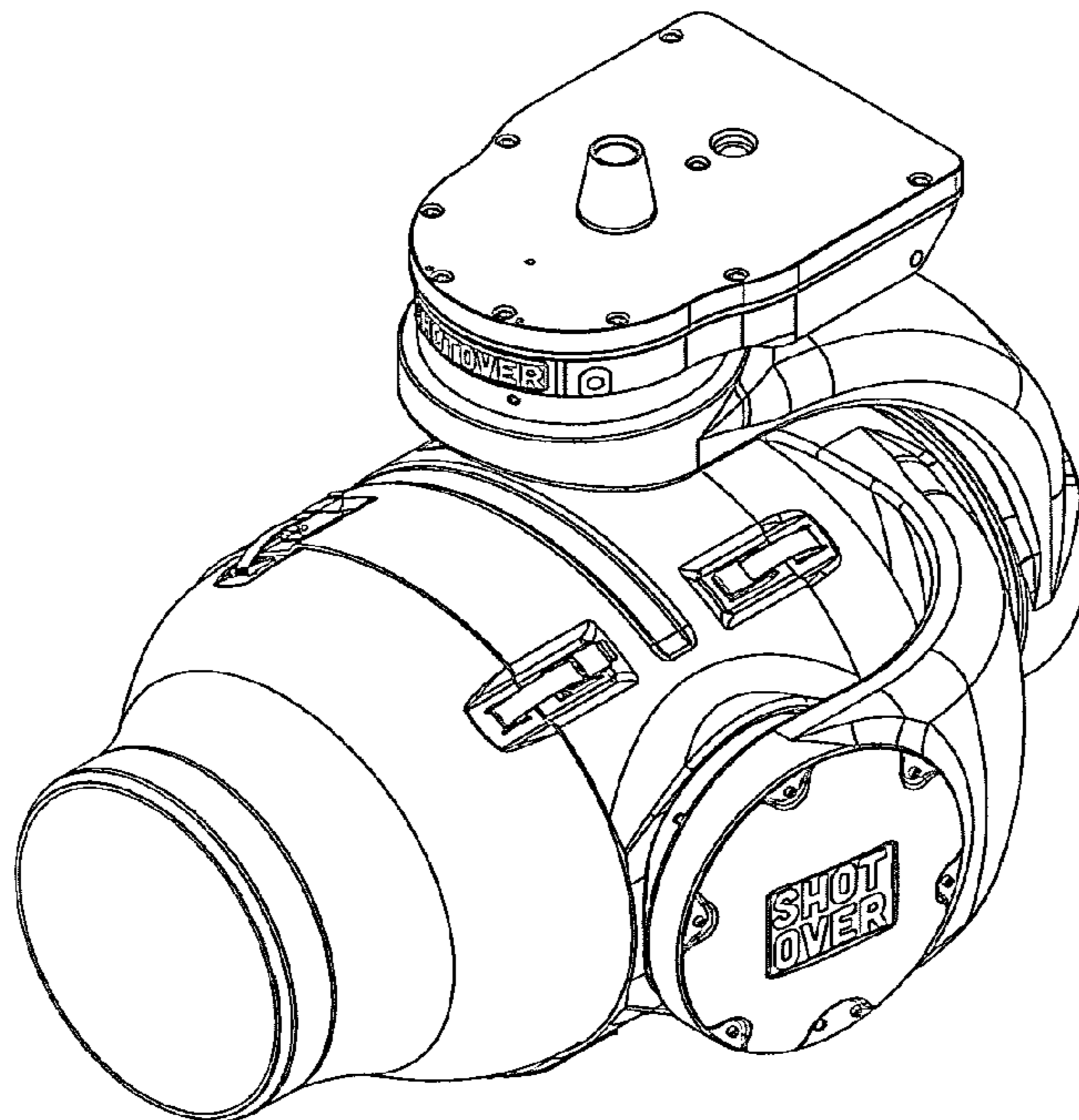
FIG. 4 is a rear elevation view of FIG. 1.

FIG. 5 is a right side elevation view of FIG. 1.

FIG. 6 is a top plan view of FIG. 1; and,

FIG. 7 is a bottom view of FIG. 1.

1 Claim, 7 Drawing Sheets



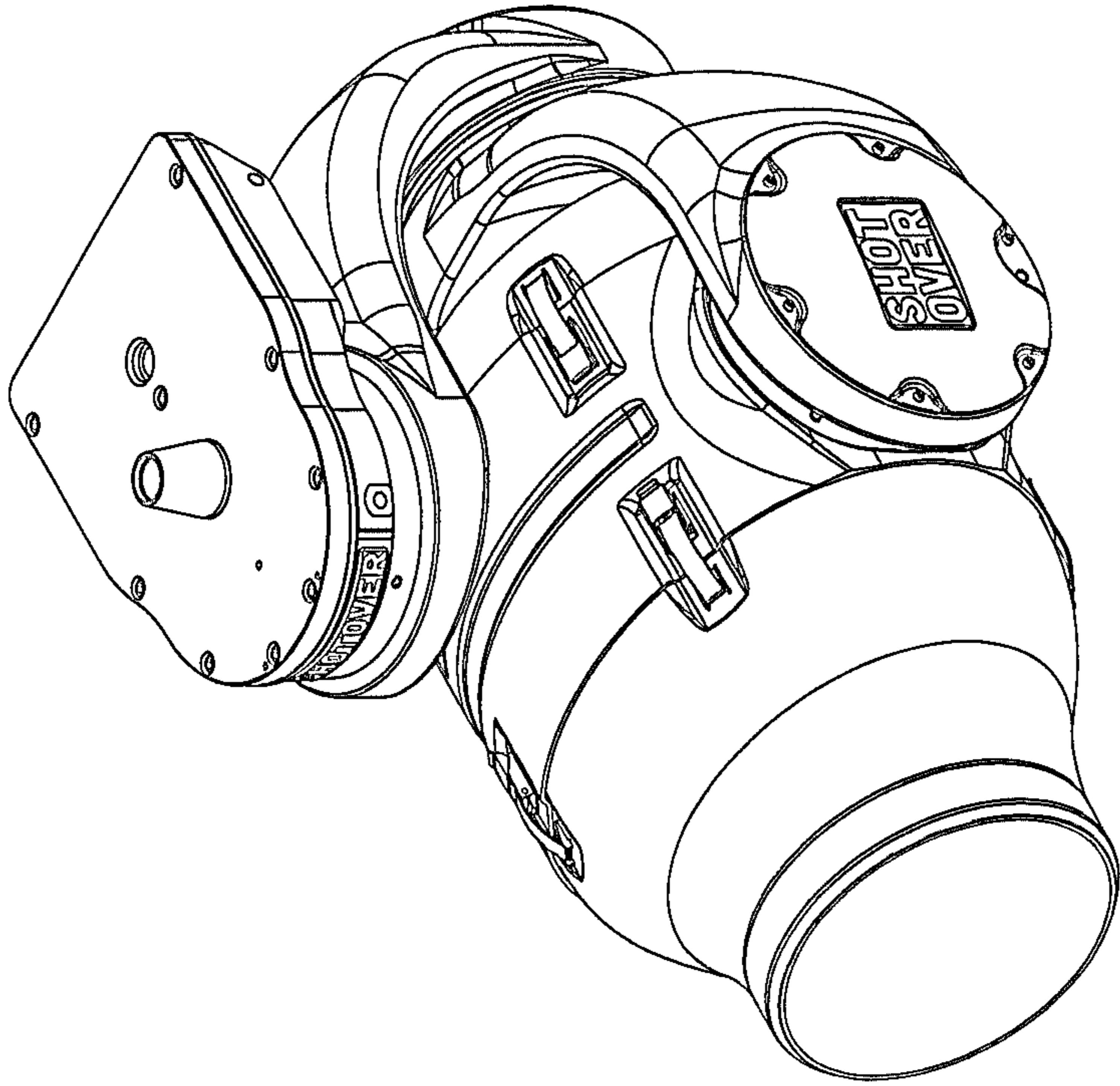


FIG. 1

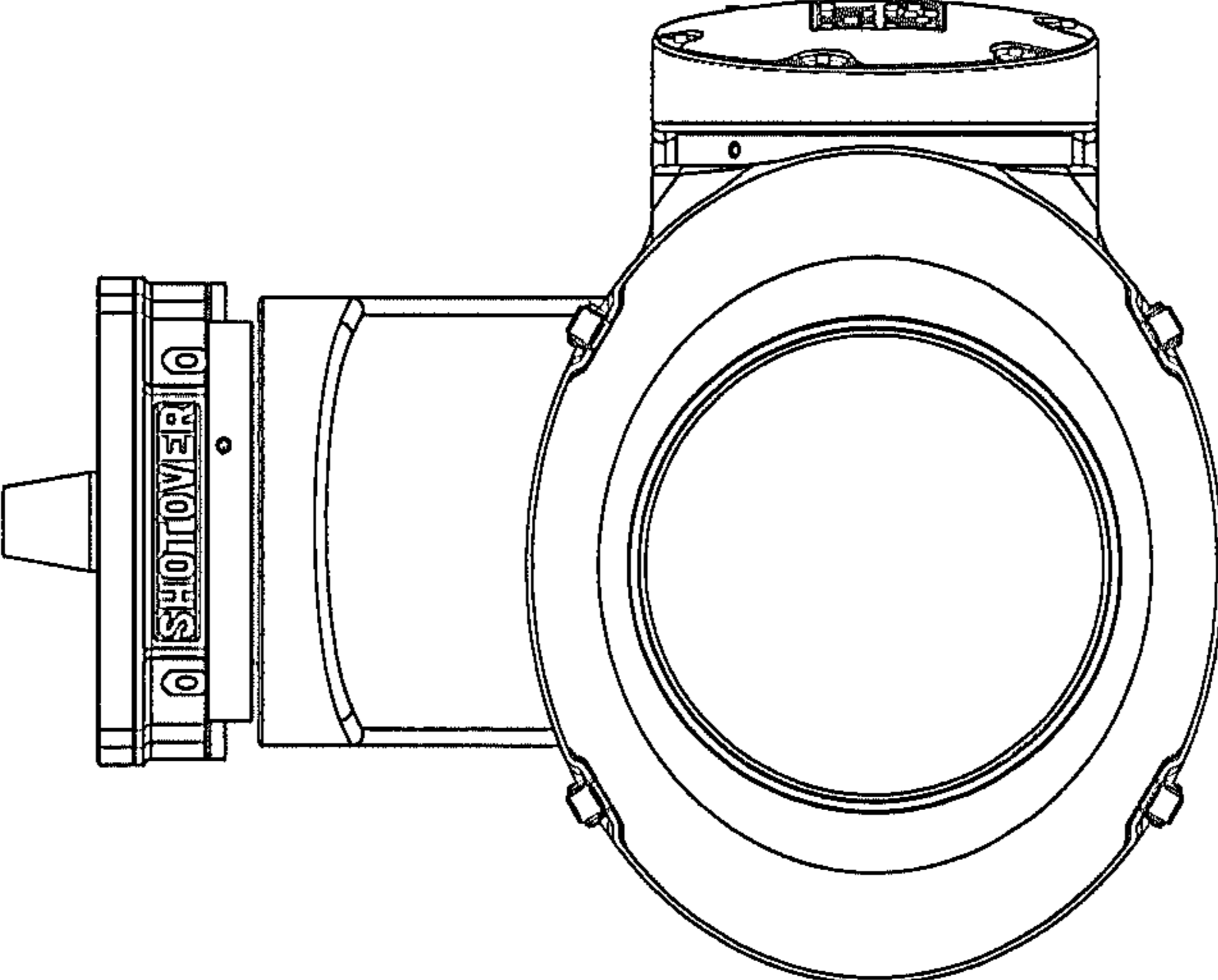


FIG. 2

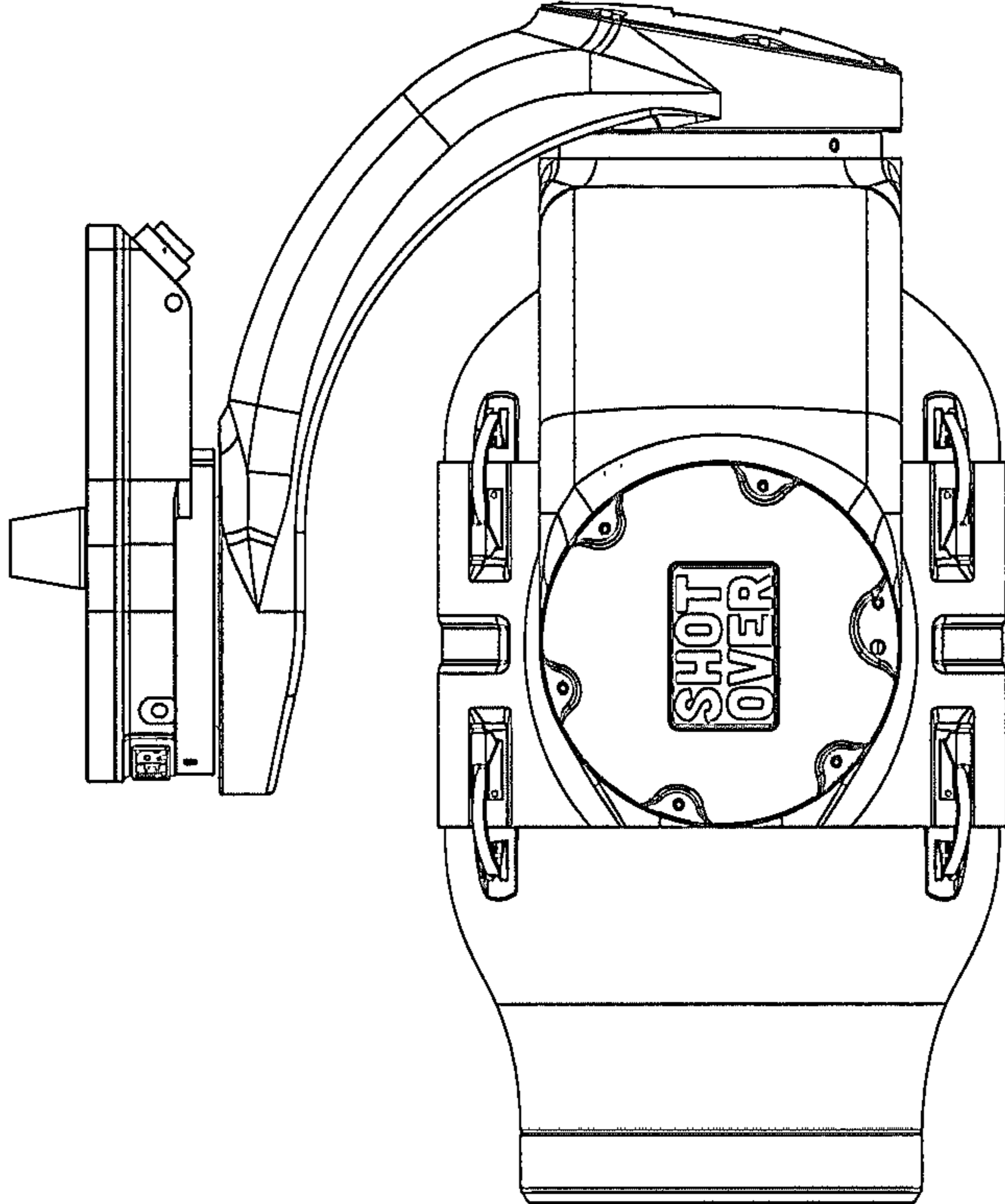


FIG. 3

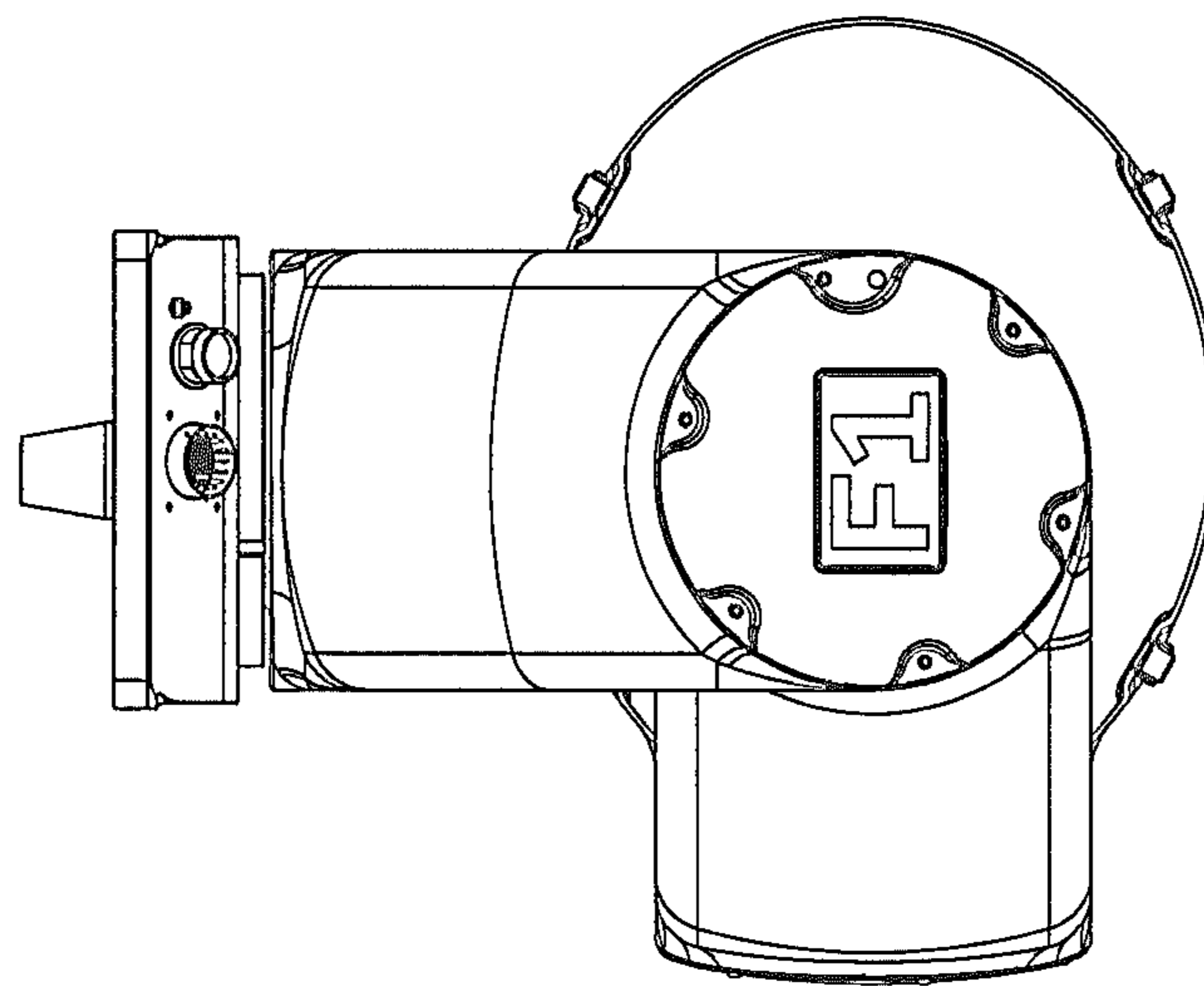


FIG. 4

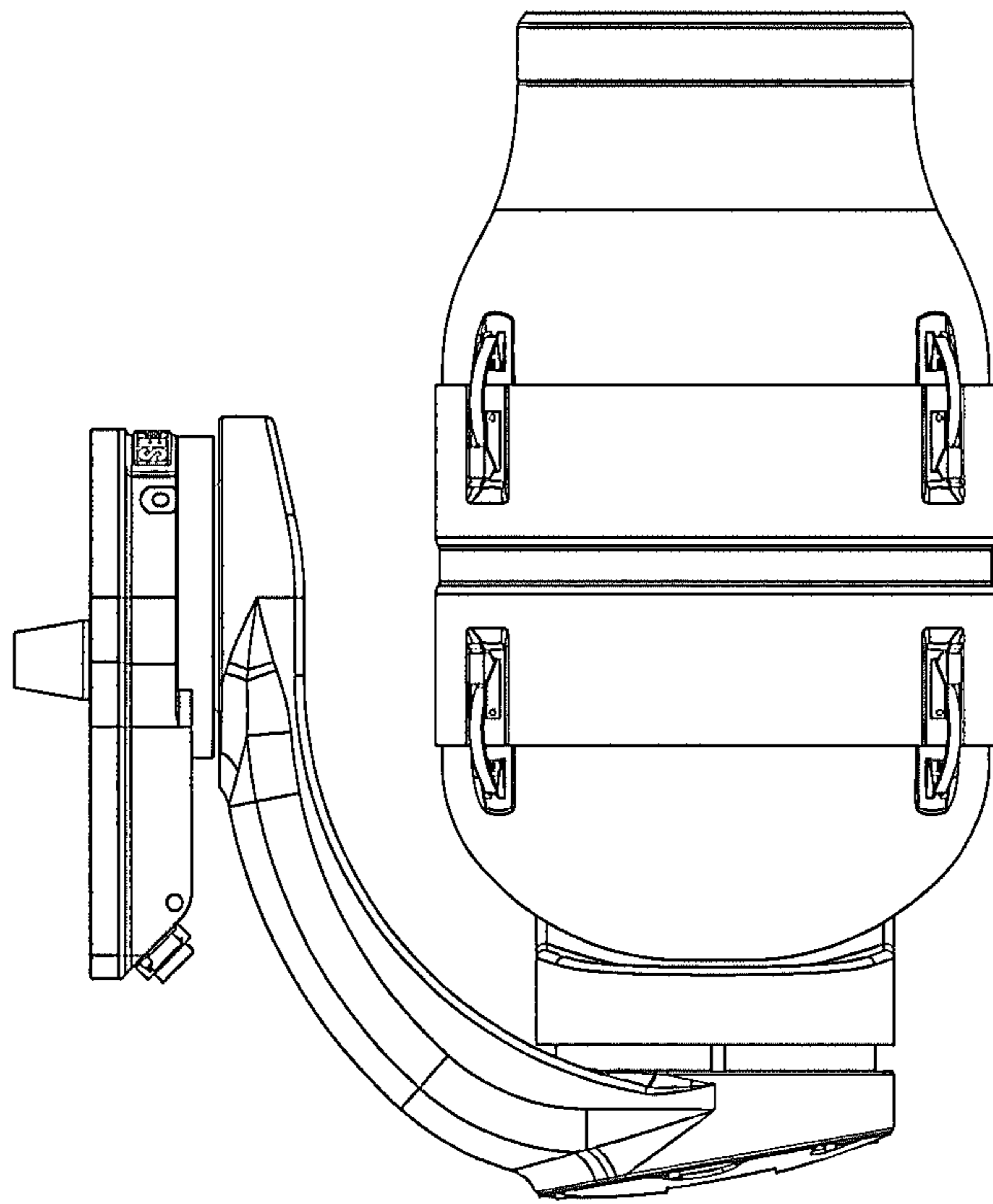


FIG. 5

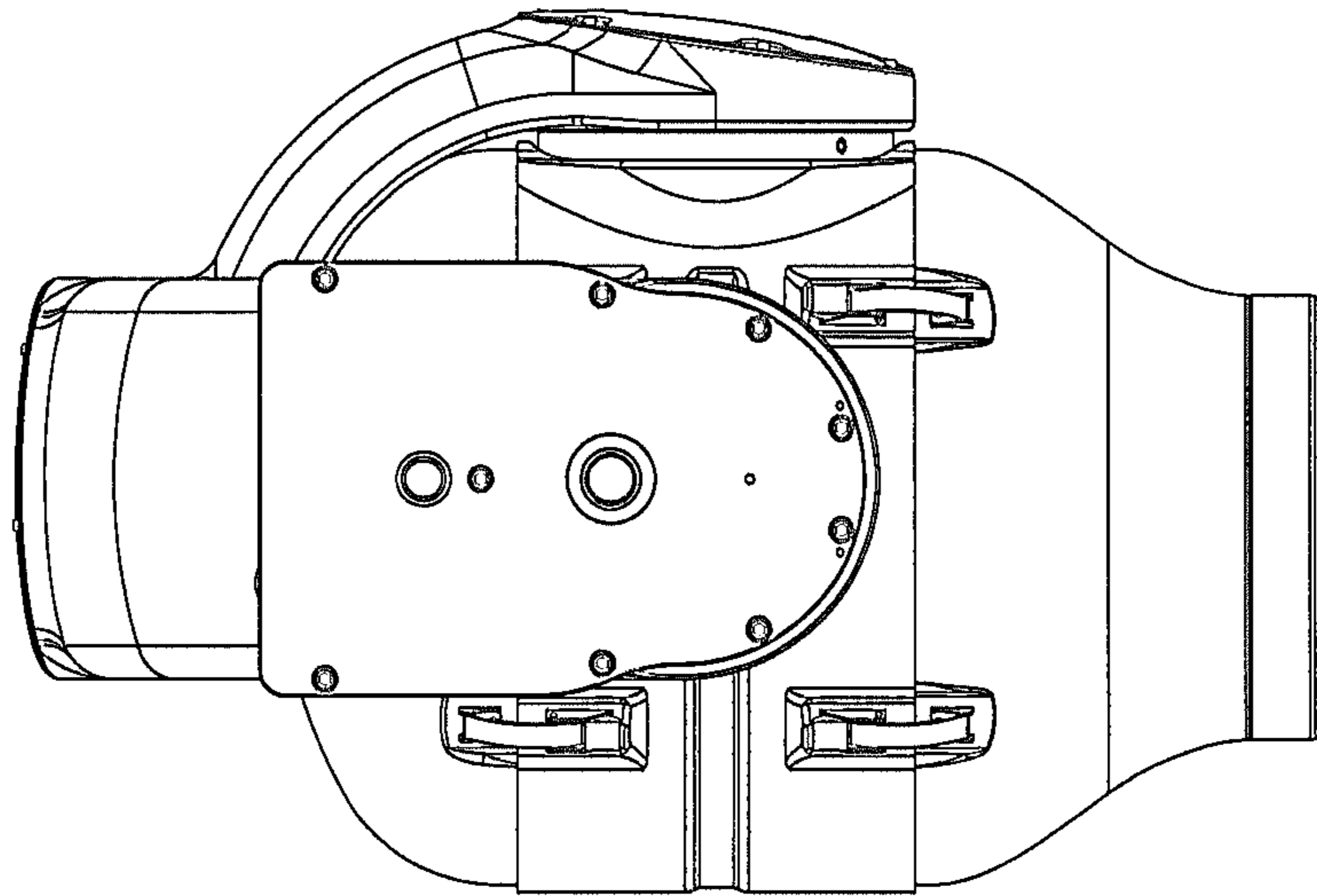


FIG. 6

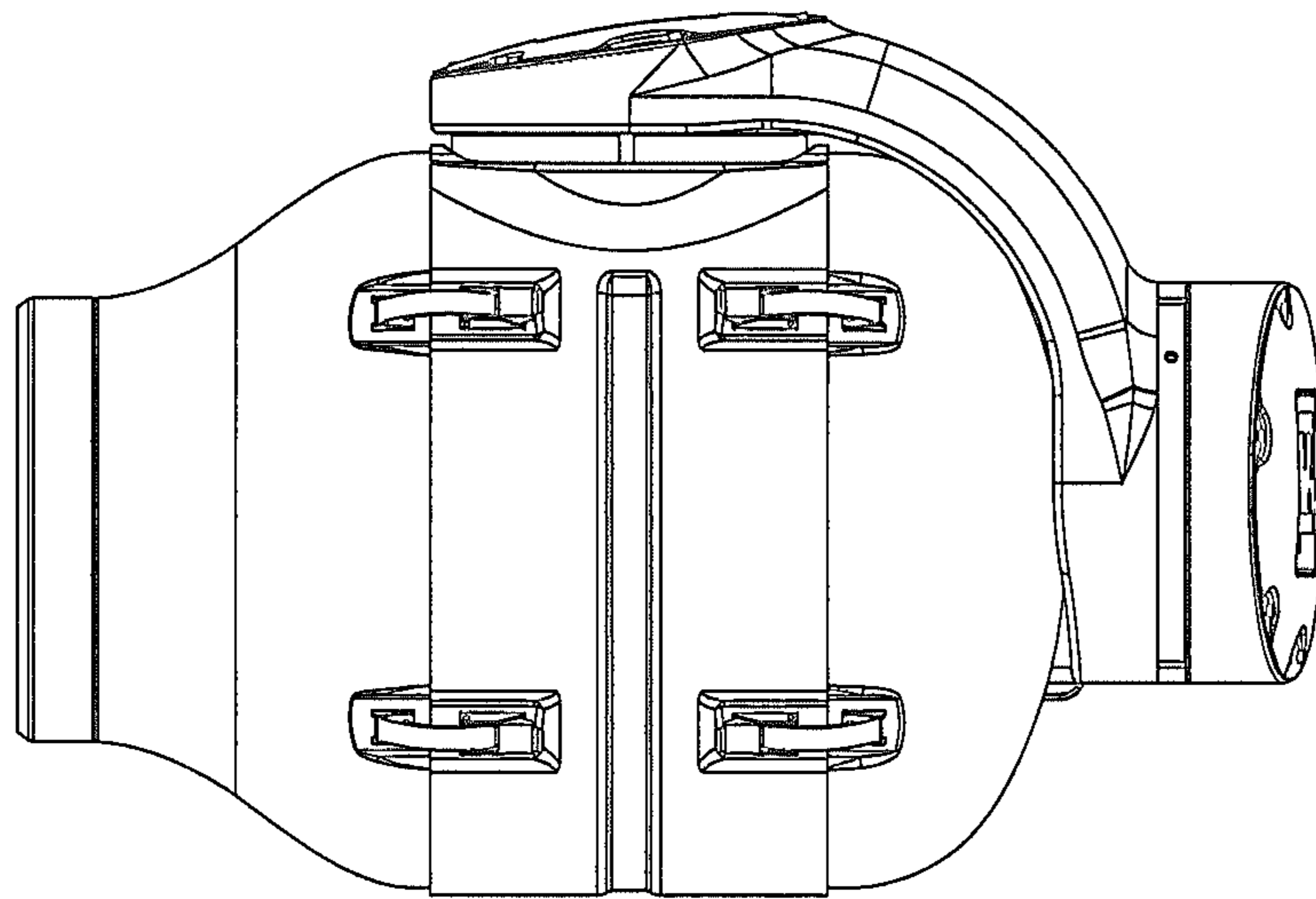


FIG. 7