



US00D738950S

(12) **United States Design Patent**
Inoue et al.

(10) **Patent No.:** **US D738,950 S**
(45) **Date of Patent:** **** Sep. 15, 2015**

(54) **LASER IRRADIATION DEVICE FOR A PROJECTOR**

(71) Applicant: **SEIKO EPSON CORPORATION**,
Tokyo (JP)

(72) Inventors: **Saeko Inoue**, Matsumoto (JP); **Junya Hayakawa**, Azumino (JP); **Hiroyuki Furui**, Matsumoto (JP)

(73) Assignee: **SEIKO EPSON CORPORATION**,
Tokyo (JP)

(**) Term: **14 Years**

(21) Appl. No.: **29/489,593**

(22) Filed: **May 1, 2014**

(30) **Foreign Application Priority Data**

Nov. 6, 2013 (JP) 2013-025926

(51) **LOC (10) Cl.** **16-02**

(52) **U.S. Cl.**
USPC **D16/235**

(58) **Field of Classification Search**
USPC D16/221, 225, 230–231, 233, 235–236;
250/208.1; 345/175–177; 353/33–34,
353/37, 81, 97, 119, 115, 122
CPC G03B 21/145; G03B 21/00; G03B 21/38;
G03B 21/2033; G03B 21/204; G03B 21/2066;
G03B 21/2013; G02B 27/0961; G02B
19/0052; G02B 27/149; G02B 27/145; G02B
27/1046; H04N 9/3161; H04N 9/3167;
H04N 9/3197; H04N 9/3105; H04N 9/3102;
H04N 9/3129; H04N 9/3155; H04N 5/2354;
H04N 9/3152; H04N 9/3164; H04M 1/0272

See application file for complete search history.

(56) **References Cited**

U.S. PATENT DOCUMENTS

D275,683	S	*	9/1984	Donnelly et al.	D16/235
4,613,207	A	*	9/1986	Ferguson	353/122
5,274,480	A	*	12/1993	Hirai et al.	353/34
5,590,942	A	*	1/1997	Kimura et al.	353/34
8,038,305	B2	*	10/2011	Egawa	353/81
8,052,280	B2	*	11/2011	Itoh et al.	353/37
8,905,578	B2	*	12/2014	Svensen et al.	353/81

OTHER PUBLICATIONS

Notice of Reasons for Rejection of Japanese Design Application No. 2013-025926 issued on Mar. 26, 2014.

* cited by examiner

Primary Examiner — Wan Laymon

(57) **CLAIM**

The ornamental design for a laser irradiation device for a projector, as shown and described.

DESCRIPTION

FIG. 1 is a rear, bottom and right side perspective view of a laser irradiation device for a projector showing our new design;

FIG. 2 is a front view thereof;

FIG. 3 is a rear view thereof;

FIG. 4 is a top plan view thereof;

FIG. 5 is a bottom plan view thereof;

FIG. 6 is a right side view thereof; and,

FIG. 7 is a left side view thereof.

The features shown in broken lines in the drawings depict environmental subject matter only and form no part of the claimed design. The dashed-dotted lines denote the boundary of the claim and form no part of the claimed design. The oblique shade lines shown in FIGS. 1, 5, 6 and 7 are intended to represent transparency or translucency.

1 Claim, 7 Drawing Sheets

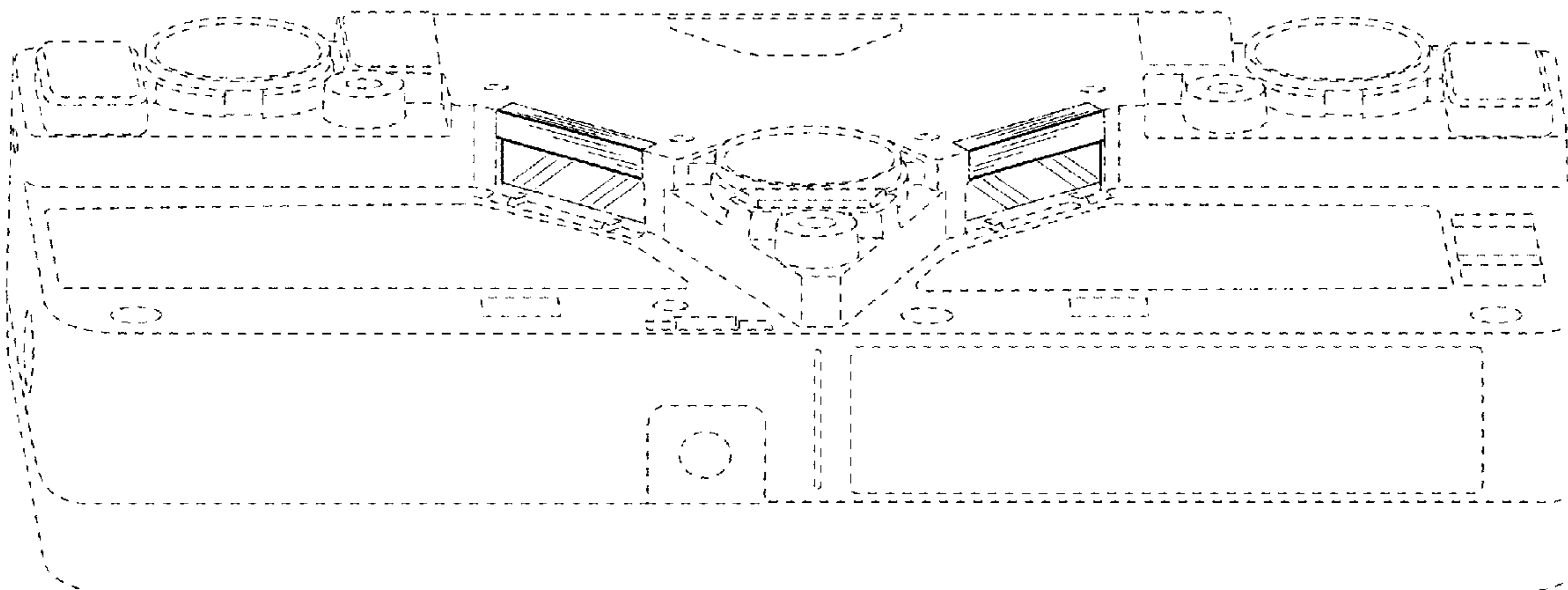


FIG. 1

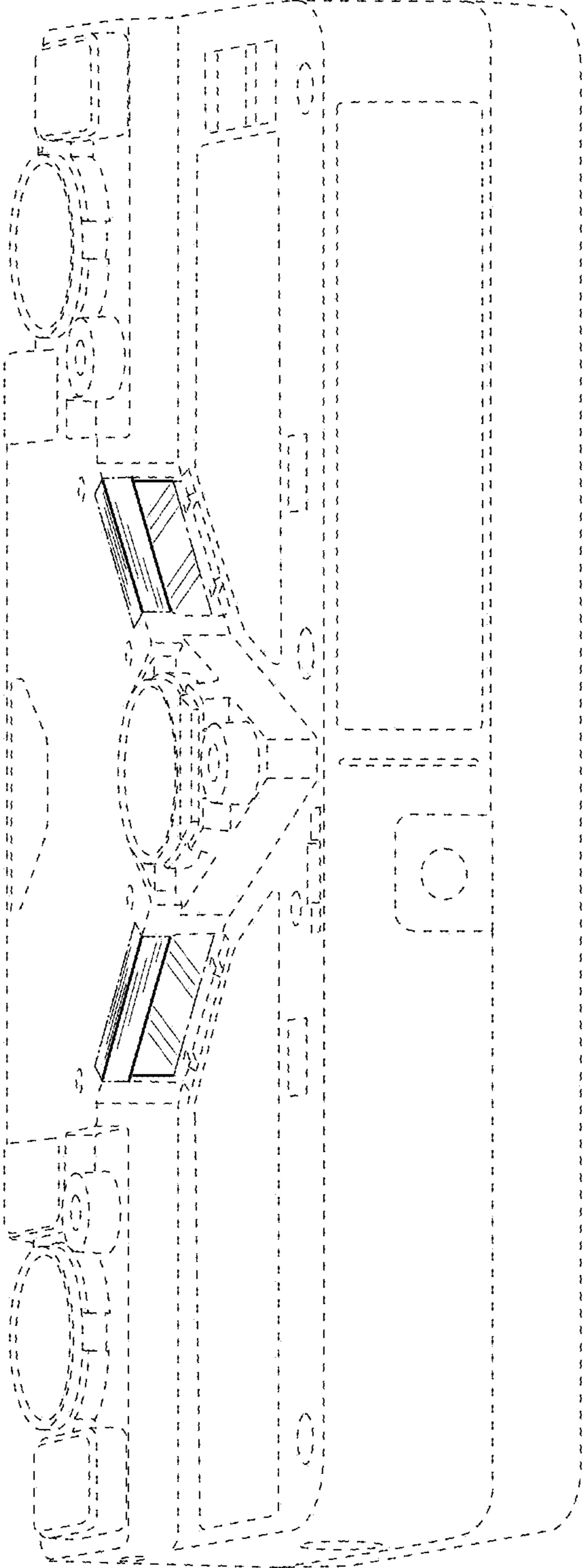


FIG. 2



FIG. 3

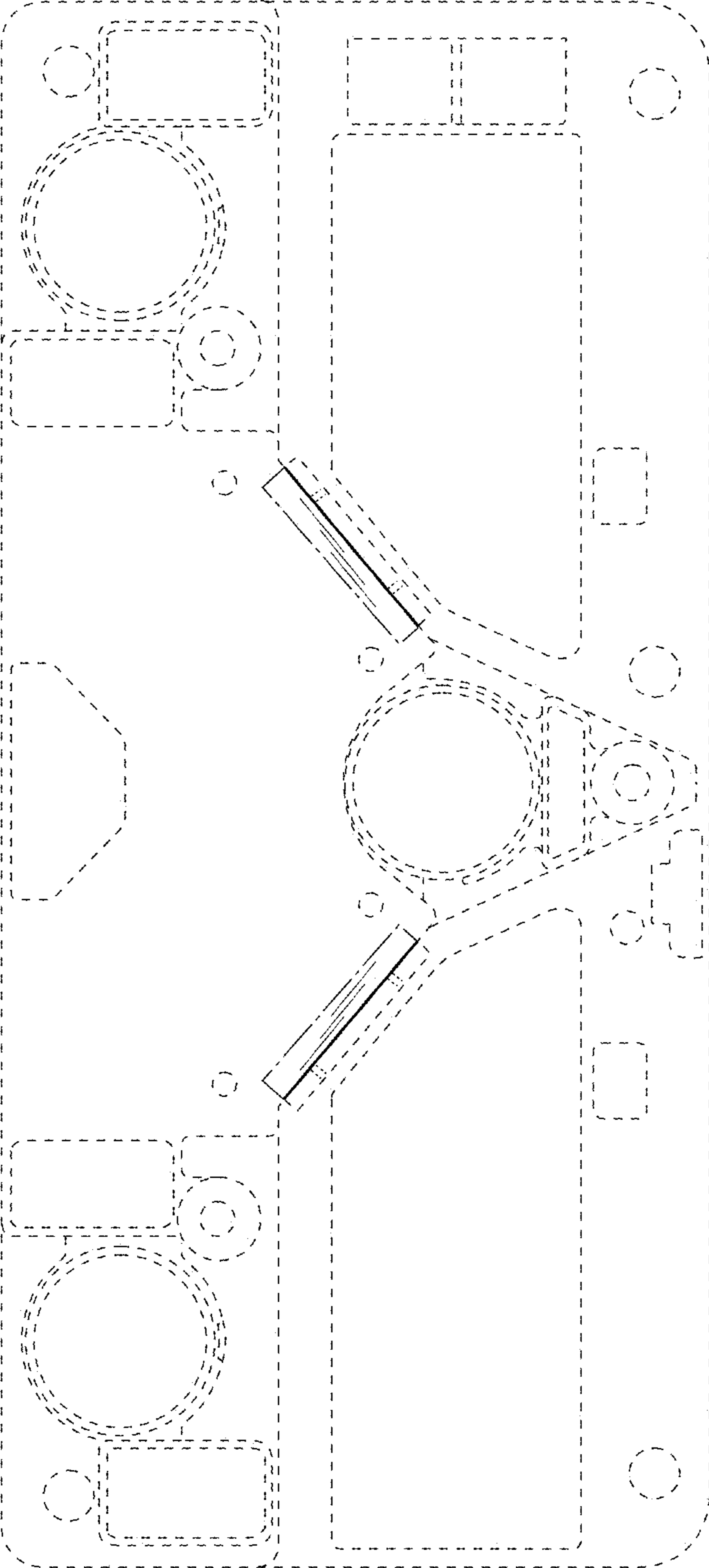


FIG. 4

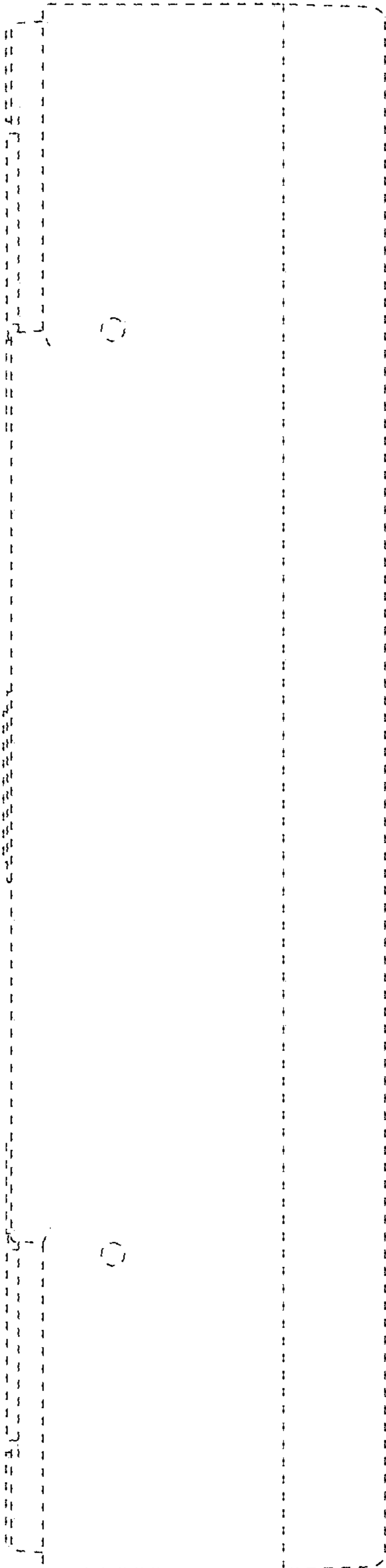


FIG. 5

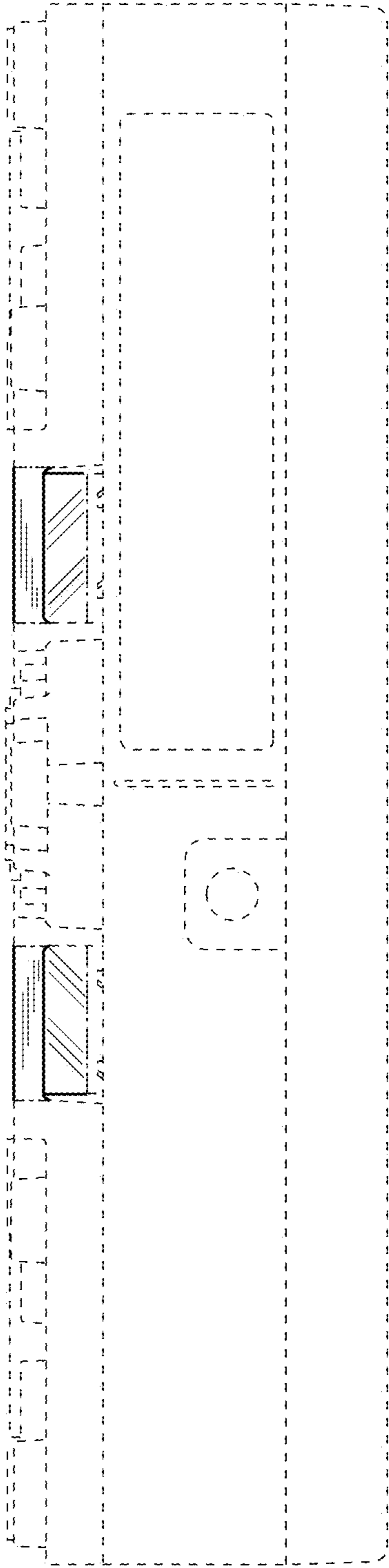


FIG. 6

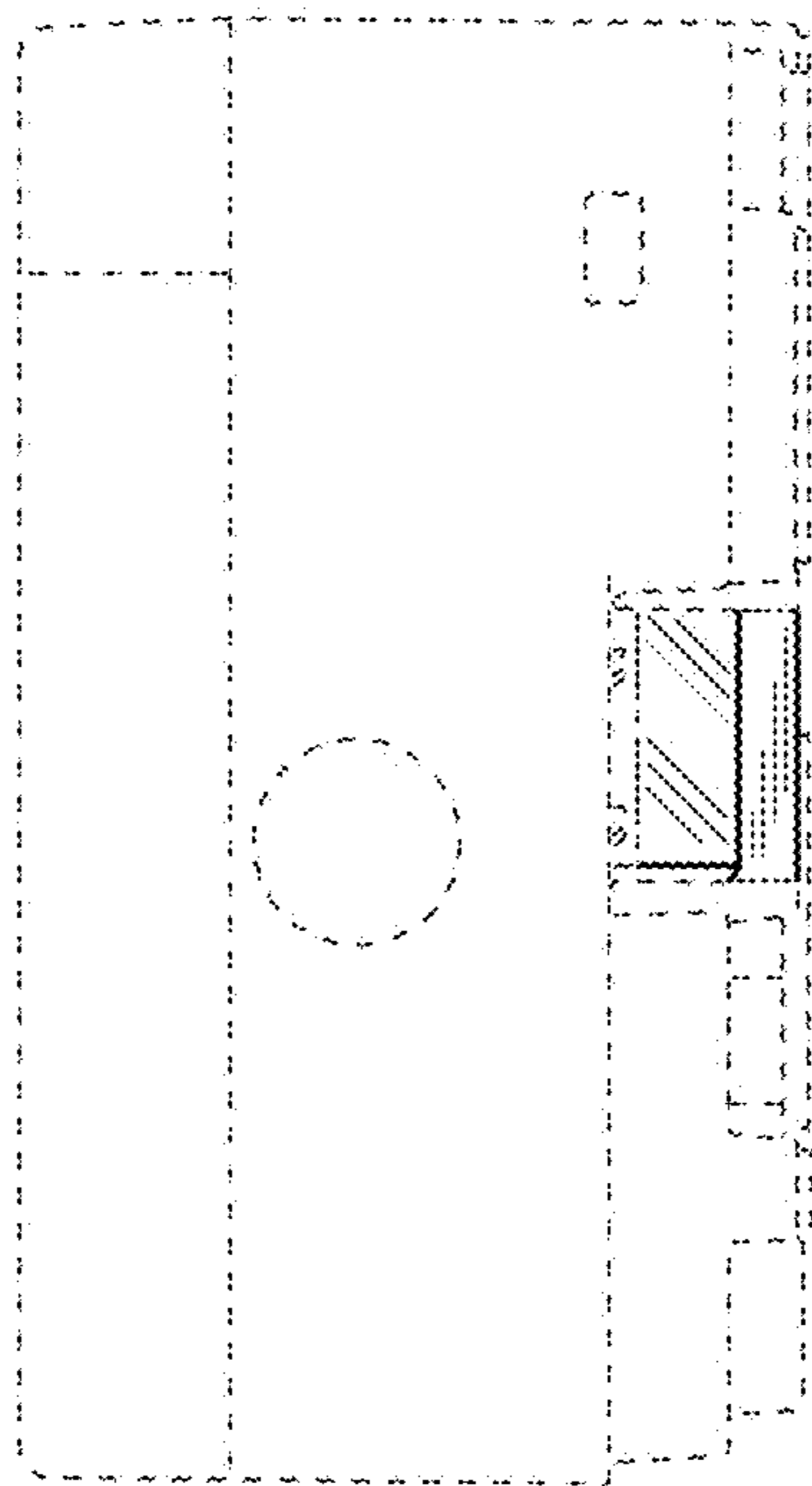


FIG. 7

