



US00D738949S

(12) **United States Design Patent**
Okamoto et al.

(10) **Patent No.:** **US D738,949 S**

(45) **Date of Patent:** **** Sep. 15, 2015**

(54) **PROJECTOR**

(71) Applicant: **NEC DISPLAY SOLUTIONS, LTD.**,
Minato-ku, Tokyo (JP)

(72) Inventors: **Takayuki Okamoto**, Tokyo (JP); **Naoki Kato**,
Kawasaki (JP); **Tetsuya Nagata**,
Kawasaki (JP)

(73) Assignee: **NEC DISPLAY SOLUTIONS, LTD.**,
Tokyo (JP)

(**) Term: **14 Years**

(21) Appl. No.: **29/504,789**

(22) Filed: **Oct. 9, 2014**

(51) **LOC (10) Cl.** **16-02**

(52) **U.S. Cl.**
USPC **D16/230; D16/225**

(58) **Field of Classification Search**
USPC D16/221, 225, 230–231, 234; D21/514;
353/115, 119, 122
CPC G03B 21/145; G03B 21/00; G03B 17/54;
G03B 21/12; G03B 21/001

See application file for complete search history.

(56) **References Cited**

U.S. PATENT DOCUMENTS

D439,594 S *	3/2001	Komatsu et al.	D16/231
D451,941 S *	12/2001	Takizawa	D16/230
D463,476 S *	9/2002	Takizawa	D16/231
D506,770 S *	6/2005	Saeki et al.	D16/230
D542,828 S *	5/2007	Tsukahara	D16/230
D565,629 S *	4/2008	Morishita	D16/230
D680,150 S *	4/2013	Kawaguchi et al.	D16/230

* cited by examiner

Primary Examiner — Wan Laymon

(74) *Attorney, Agent, or Firm* — Sughrue Mion, PLLC

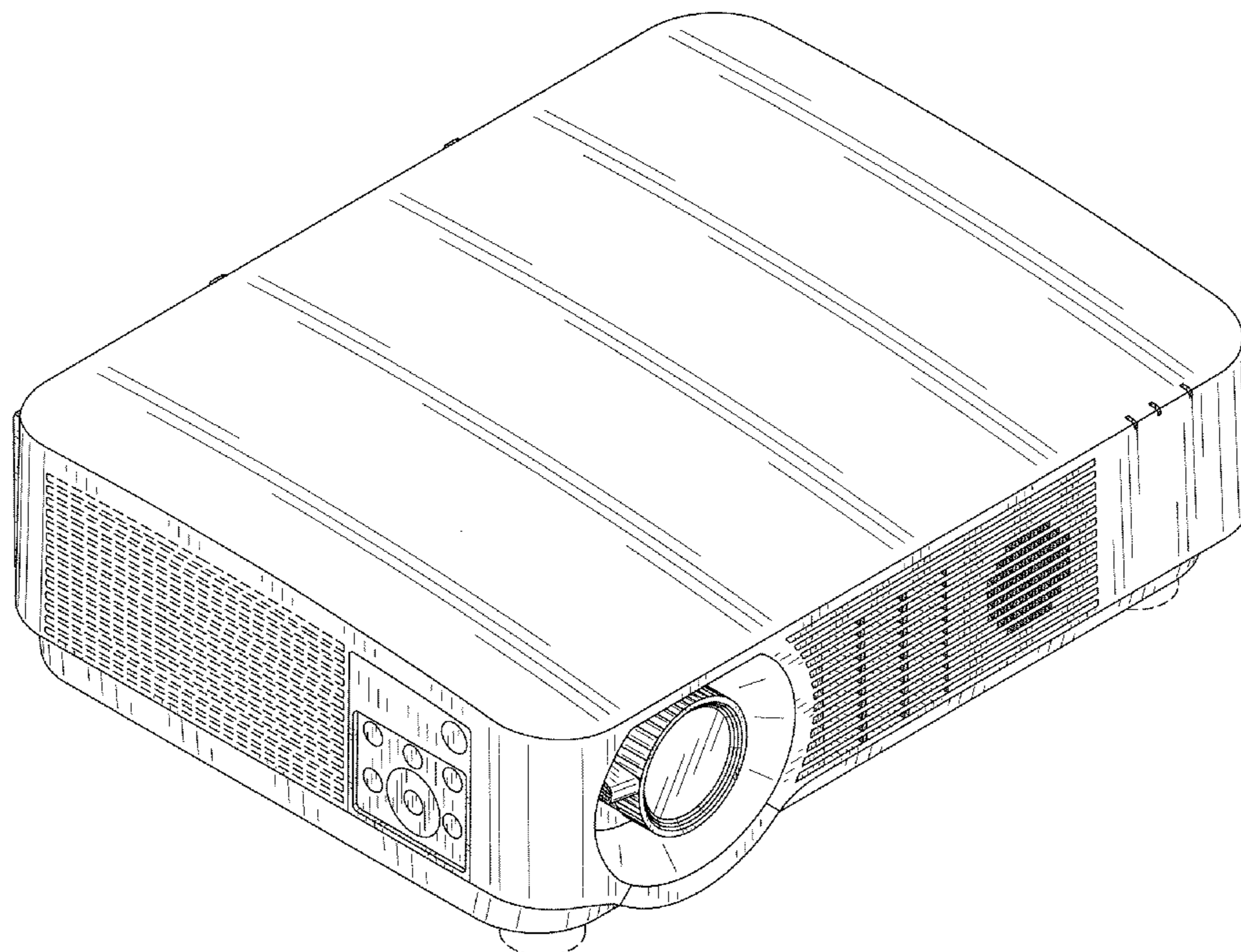
(57) **CLAIM**

The ornamental design for a projector, as shown and described.

DESCRIPTION

FIG. 1 is a front, left side, top perspective view of a projector showing our new design;
FIG. 2 is a front elevational view thereof;
FIG. 3 is a rear elevational view thereof;
FIG. 4 is a left side view thereof;
FIG. 5 is a right side view thereof;
FIG. 6 is a top plan view thereof;
FIG. 7 is a bottom plan view thereof; and,
FIG. 8 is a reference perspective view thereof, showing a state in which a cover part is attached.
The broken lines shown in the figures represent portions of the projector that form no part of the claimed design.

1 Claim, 8 Drawing Sheets



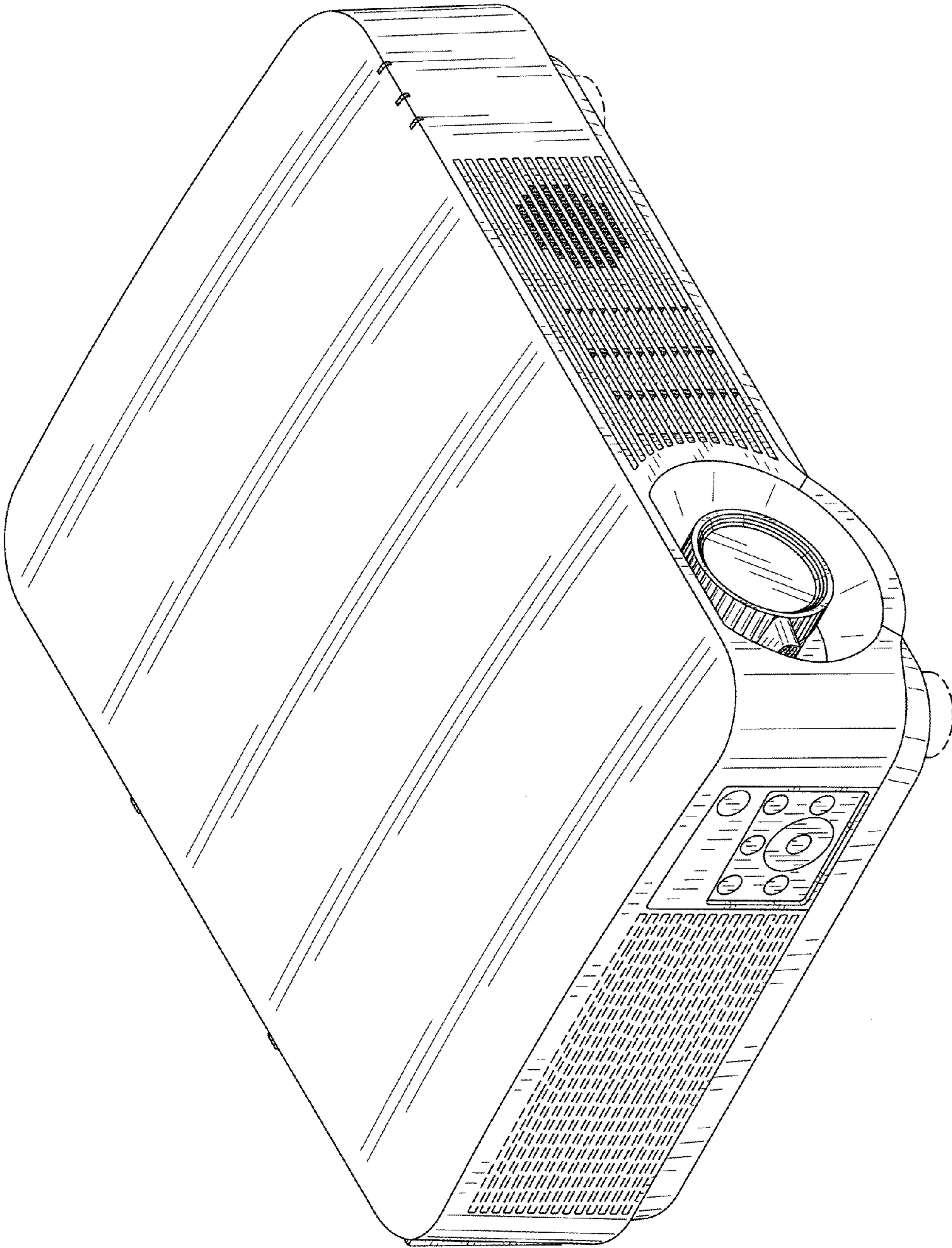


FIG. 1

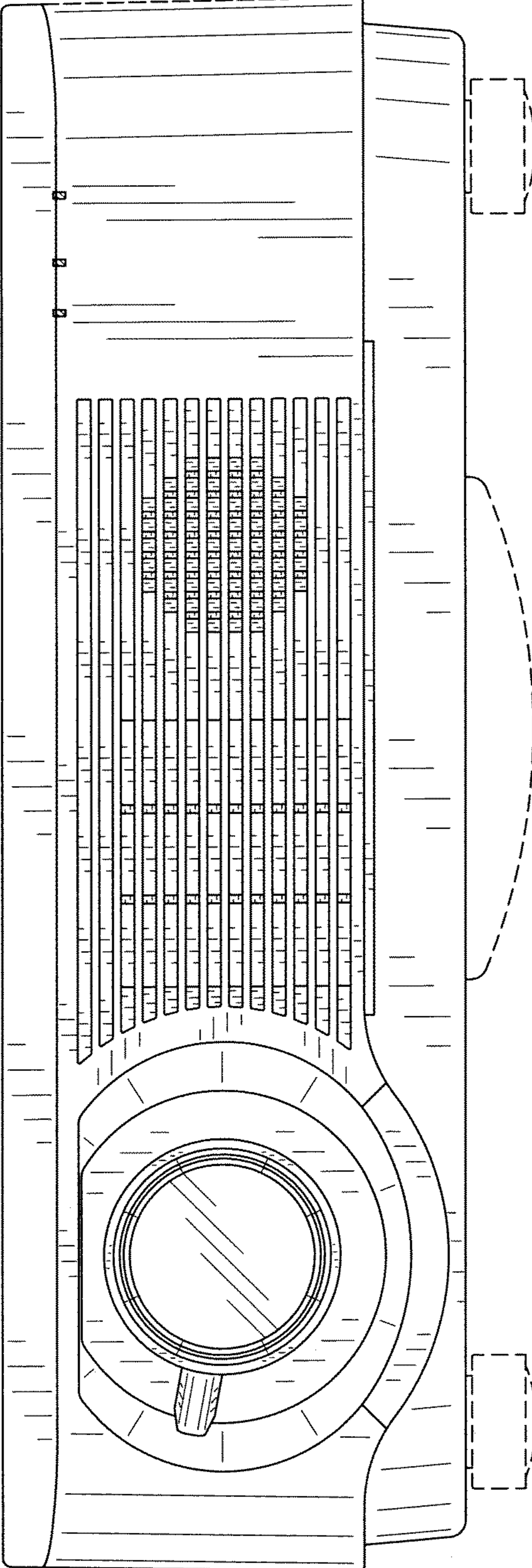


FIG. 2

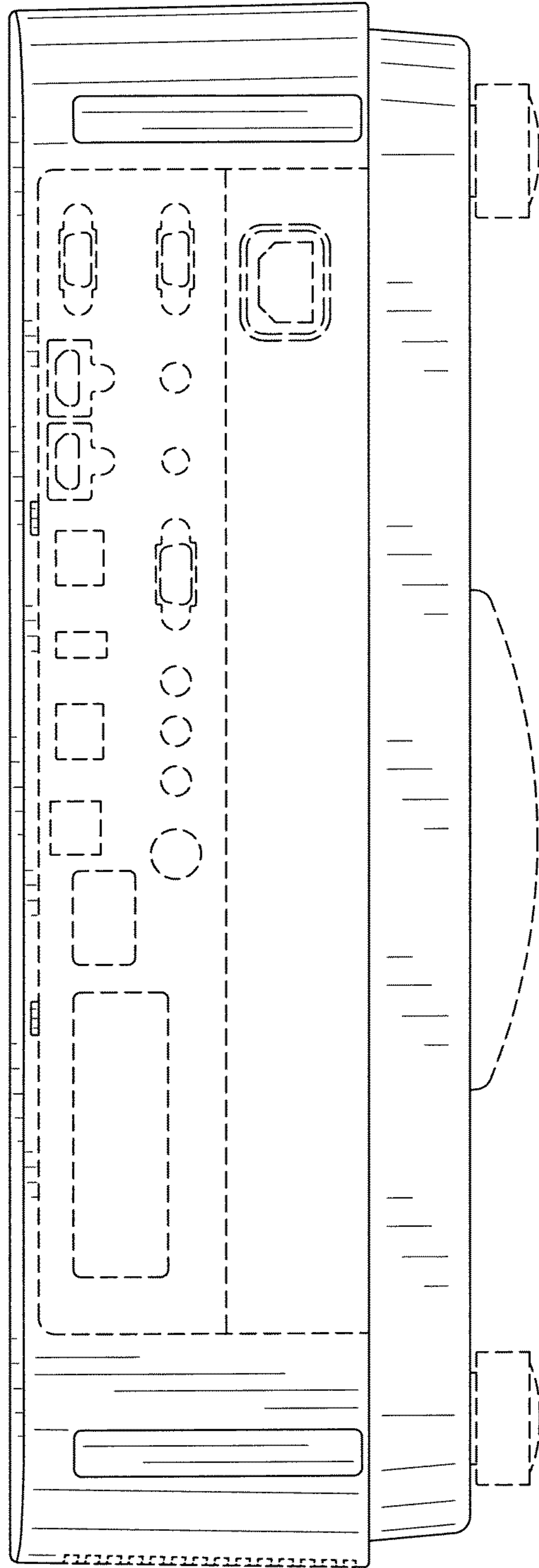


FIG. 3

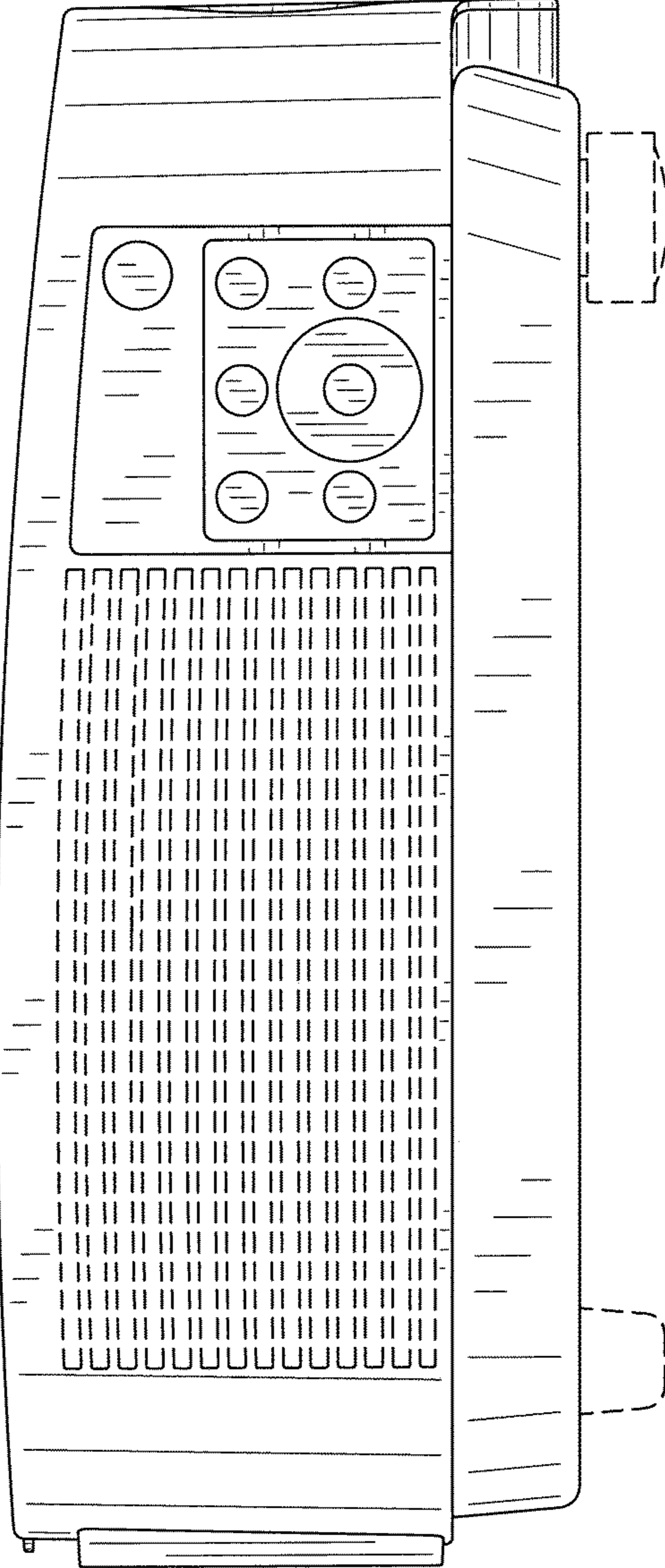


FIG. 4

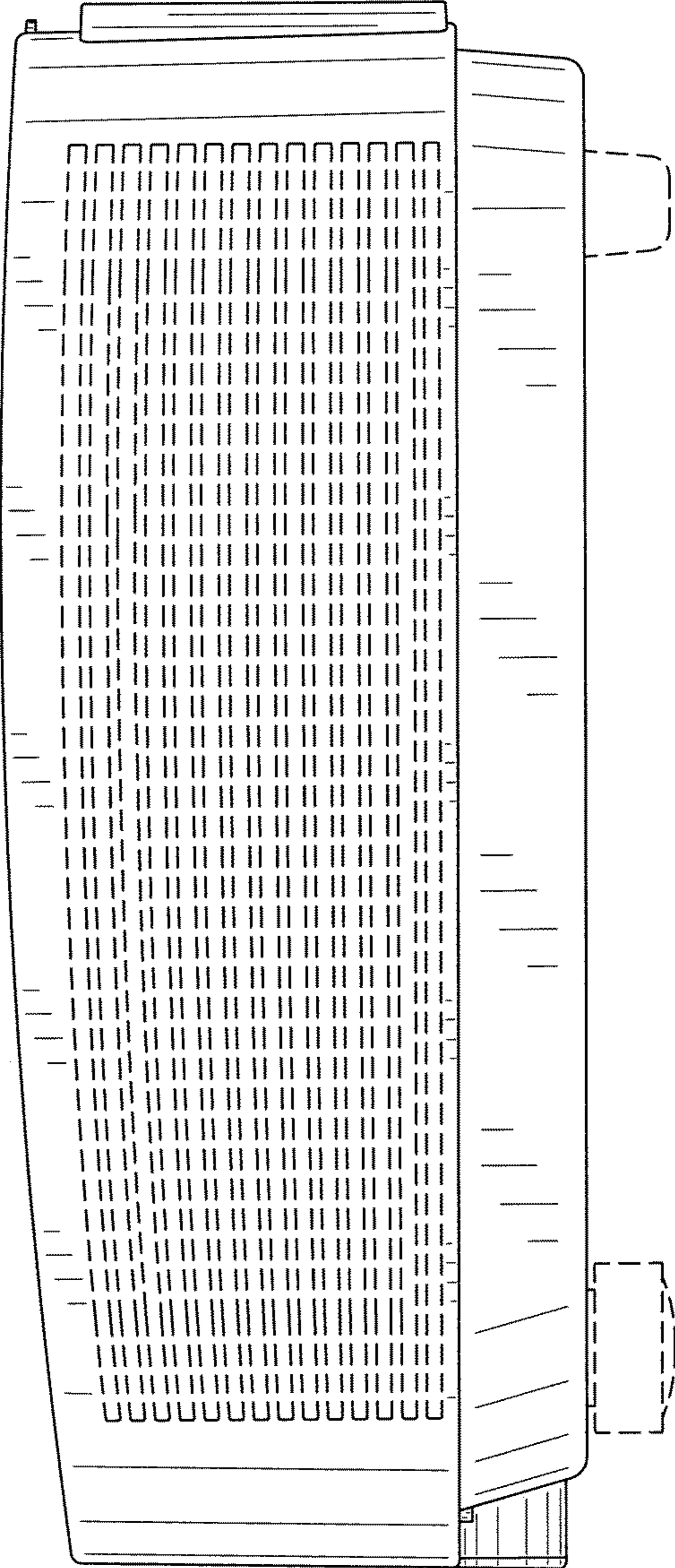


FIG. 5

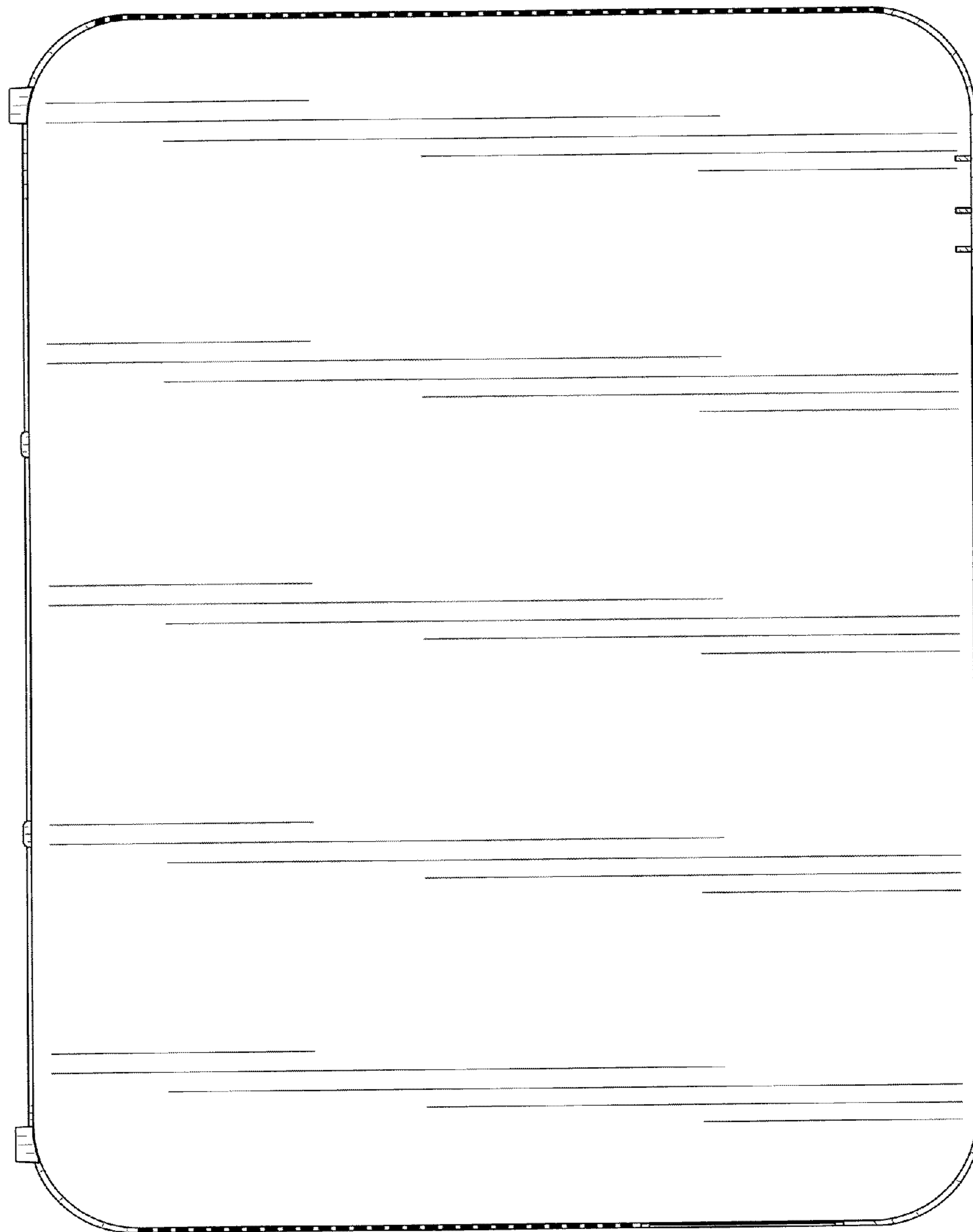


FIG. 6

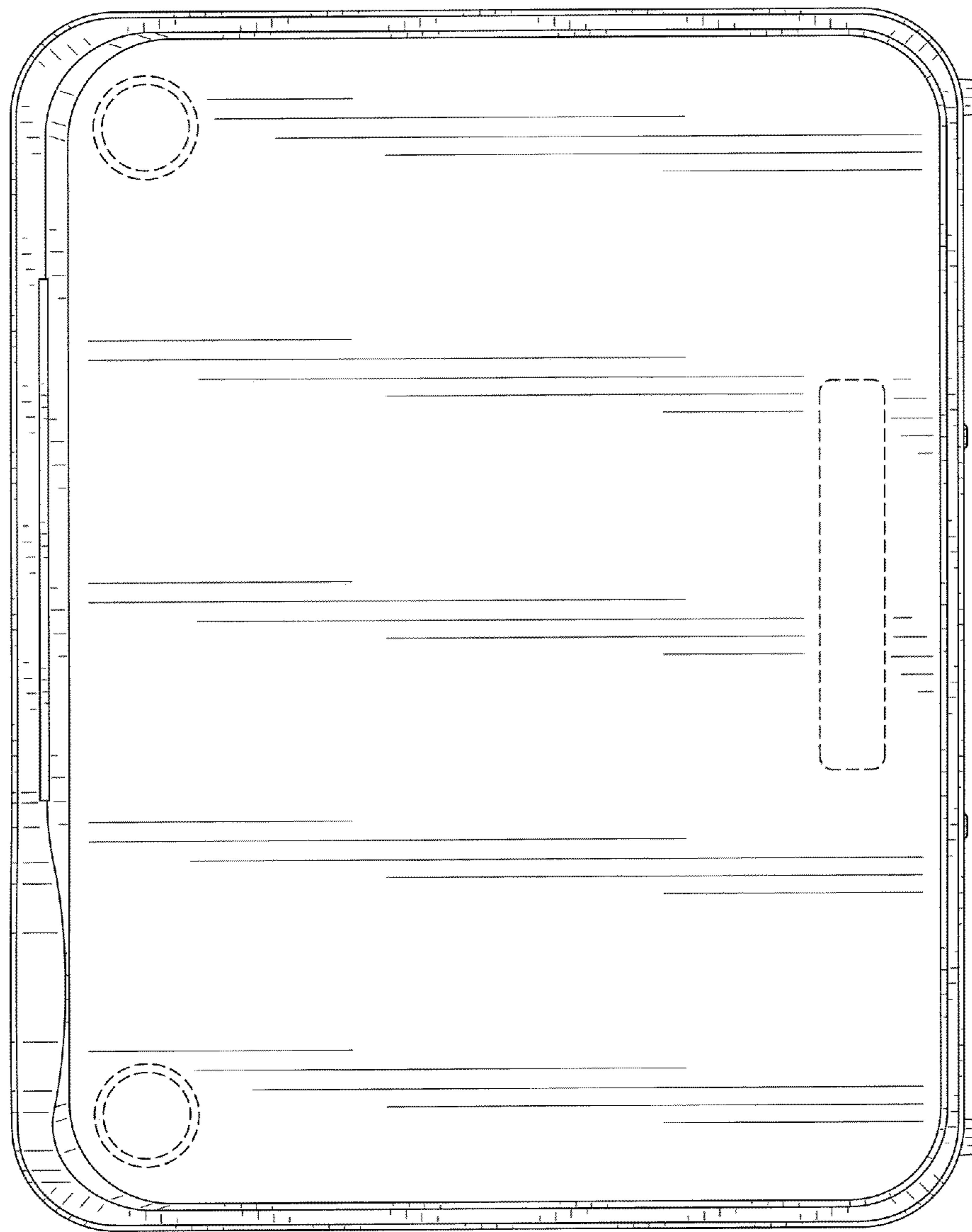


FIG. 7

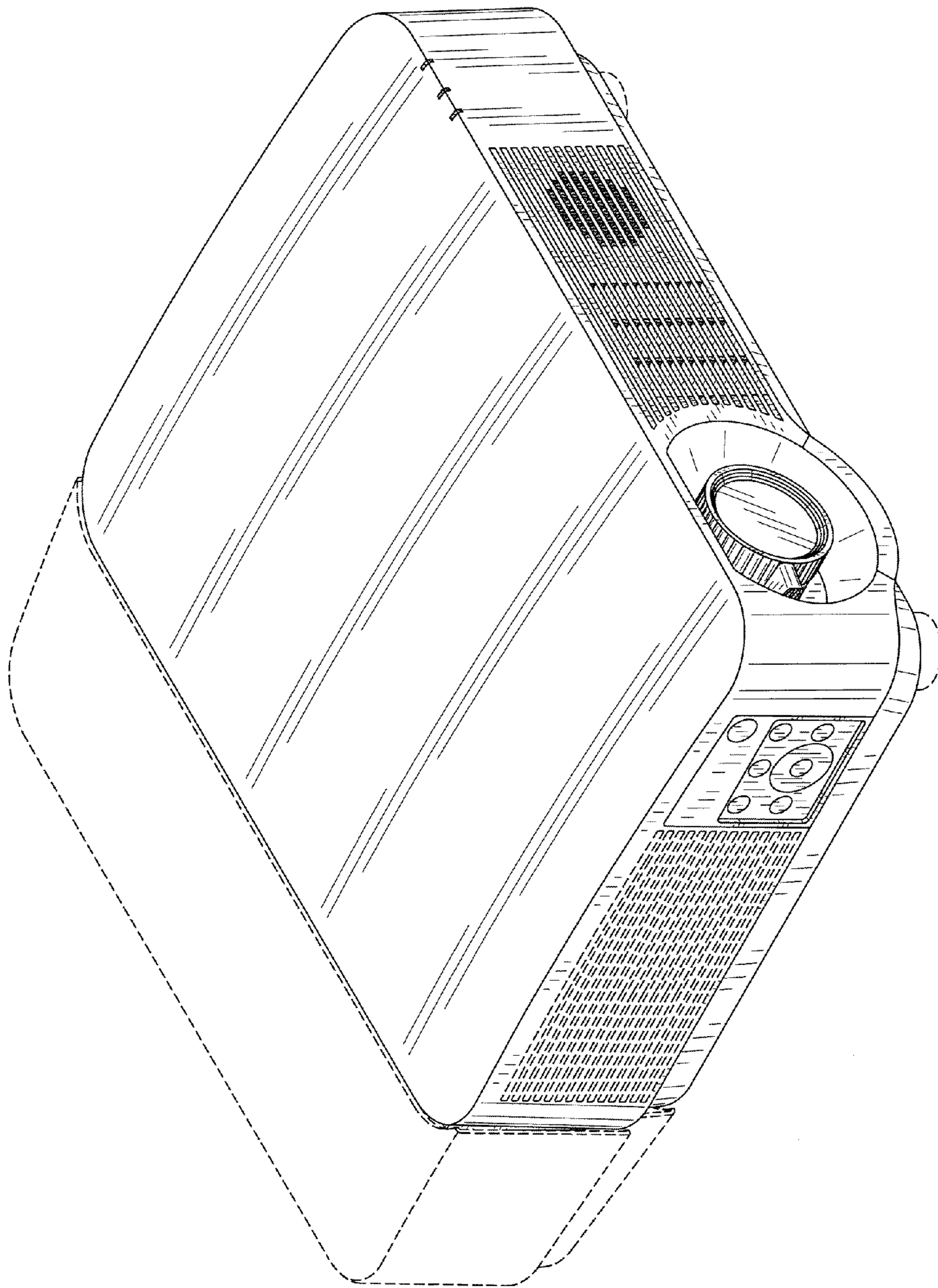


FIG. 8