

US00D738948S

(12) **United States Design Patent**
Ham

(10) **Patent No.:** **US D738,948 S**

(45) **Date of Patent:** **** Sep. 15, 2015**

(54) **CAMERA**

(71) Applicant: **Samsung Electronics Co., Ltd.**,
Suwon-si, Gyeonggi-do (KR)

(72) Inventor: **Sun Woong Ham**, Seoul (KR)

(73) Assignee: **Samsung Electronics co., Ltd.**,
Suwon-Si (KR)

(**) Term: **14 Years**

(21) Appl. No.: **29/486,236**

(22) Filed: **Mar. 27, 2014**

(30) **Foreign Application Priority Data**

Oct. 1, 2013 (KR) 30-2013-0049789

(51) **LOC (10) Cl.** **16-01**

(52) **U.S. Cl.**
USPC **D16/209**; D16/202

(58) **Field of Classification Search**
USPC D16/200, 202–206, 208–209, 212, 218,
D16/219; 348/373–376; 396/535, 539–541
CPC G03B 15/03; G03B 17/02; G03B 17/04;
G03B 17/56; G03B 19/04; H04N 5/2251;
H04N 5/2252; H04N 5/2253; H04N 5/2254;
H04N 2101/00

See application file for complete search history.

(56) **References Cited**

U.S. PATENT DOCUMENTS

D448,039 S * 9/2001 Horikiri D16/212
6,349,180 B1 * 2/2002 Jabbour et al. 396/535
D486,168 S * 2/2004 Nakamura D16/202
D491,598 S * 6/2004 Shimobayashi D16/219

D649,572 S * 11/2011 Lee D16/202
D653,275 S * 1/2012 Sakai D16/202
D680,149 S * 4/2013 Nakajima D16/219
D682,337 S * 5/2013 Umehara et al. D16/202
D682,338 S * 5/2013 Uemachi D16/202
D683,780 S * 6/2013 Sakai D16/202
D695,804 S * 12/2013 Nohara et al. D16/202
D710,923 S * 8/2014 Watanabe D16/202
D721,118 S * 1/2015 Chai D16/219

* cited by examiner

Primary Examiner — Adir Aronovich

Assistant Examiner — Ramzi Almatrahi

(74) *Attorney, Agent, or Firm* — Ladas & Parry LLP

(57) **CLAIM**

The ornamental design for a camera, as shown and described.

DESCRIPTION

FIG. 1 is a front perspective view of a camera showing my new design;

FIG. 2 is a front elevation view thereof;

FIG. 3 is a rear elevation view thereof;

FIG. 4 is a left side elevation view thereof;

FIG. 5 is a right side elevation view thereof;

FIG. 6 is a top plan view thereof;

FIG. 7 is a bottom plan view thereof;

FIG. 8 is an enlarged view of the encircled portion as shown in FIG. 7; and,

FIG. 9 is a front perspective view thereof, showing the flash portion in an alternate configuration.

The broken lines depict portions of a camera in which the design is embodied and form no part of the claimed design.

The dot-dash broken lines encircling portions of the claimed design that are illustrated in enlargements form no part of the claimed design.

1 Claim, 7 Drawing Sheets

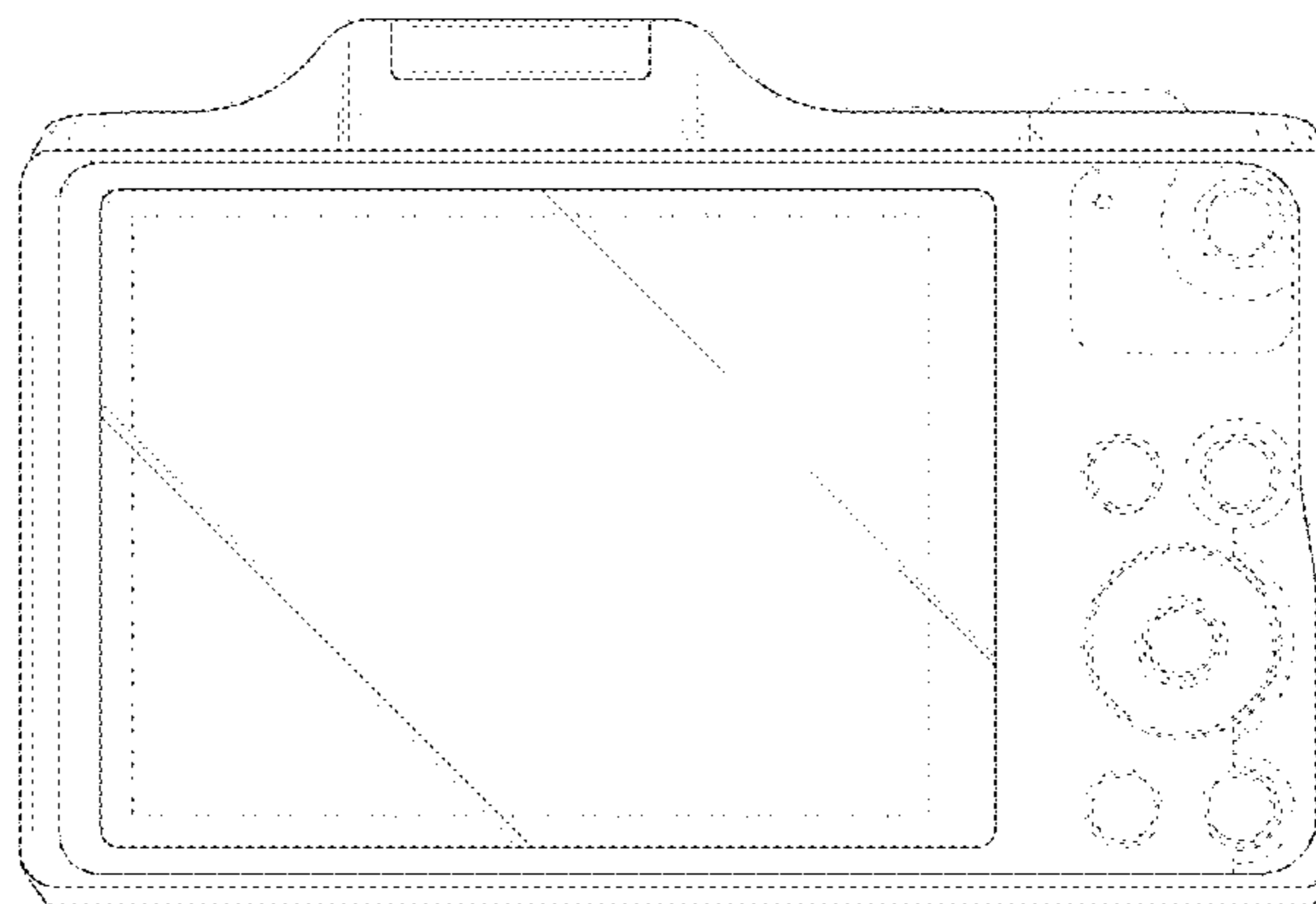
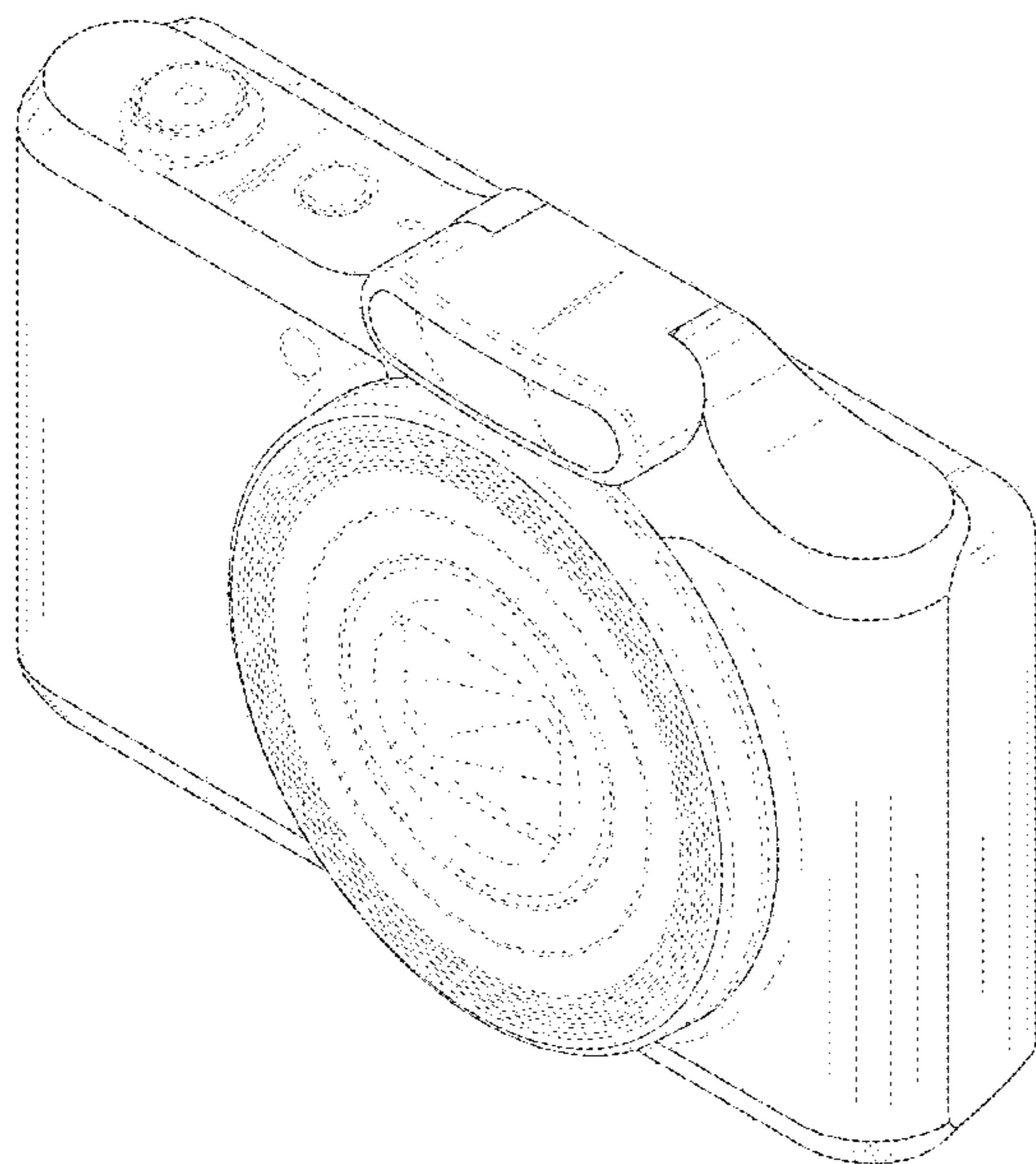


FIG. 1

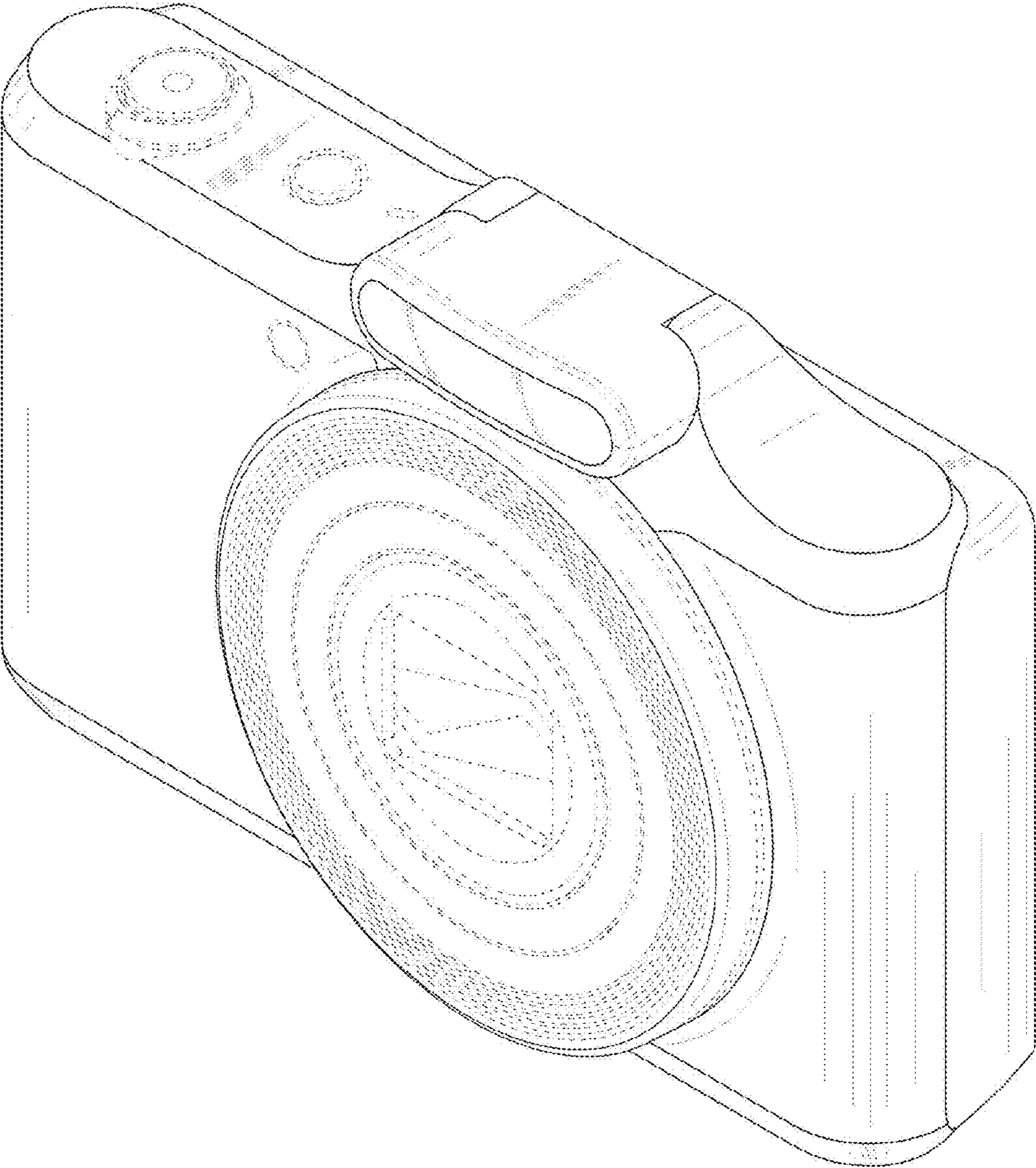


FIG.2

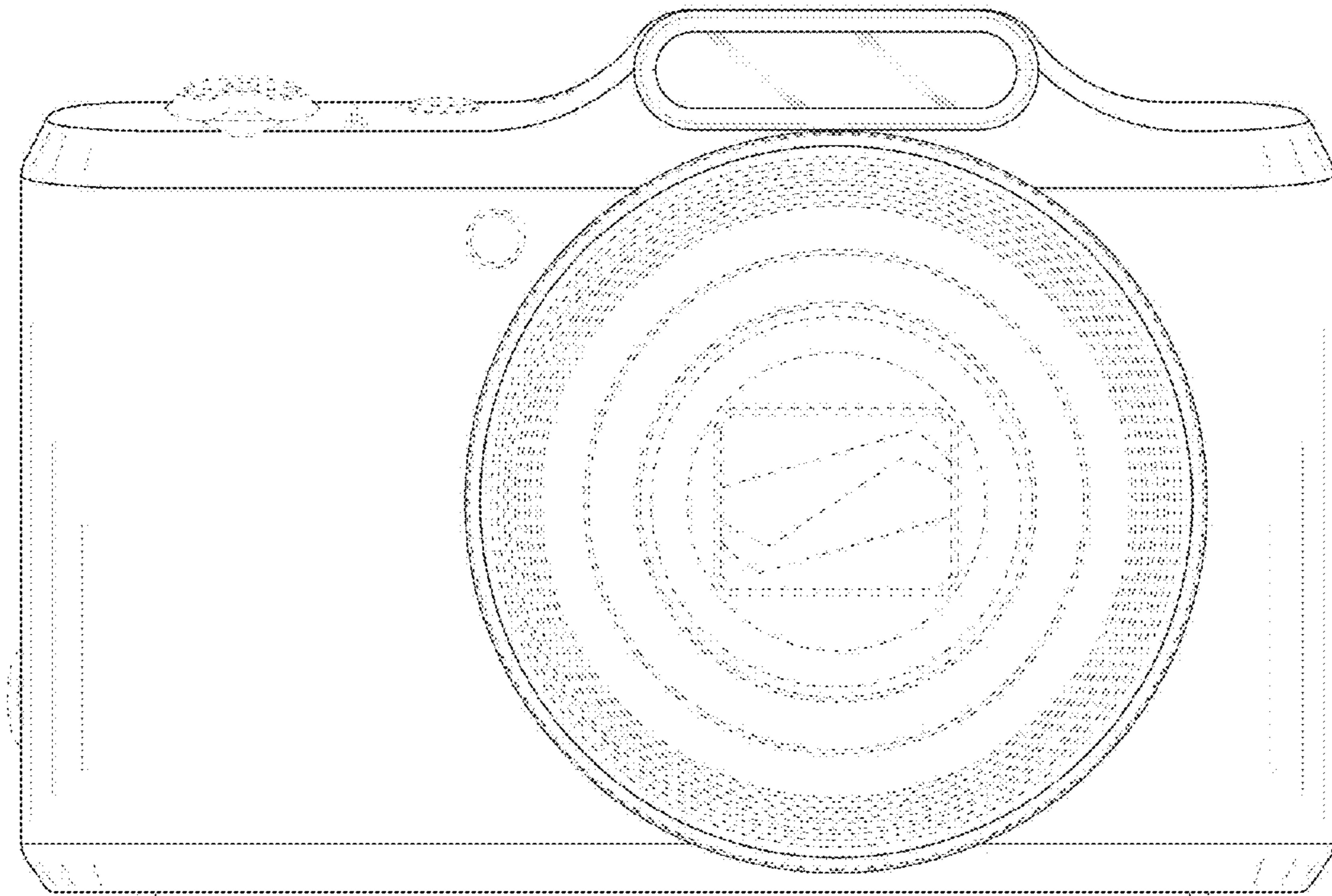


FIG.3

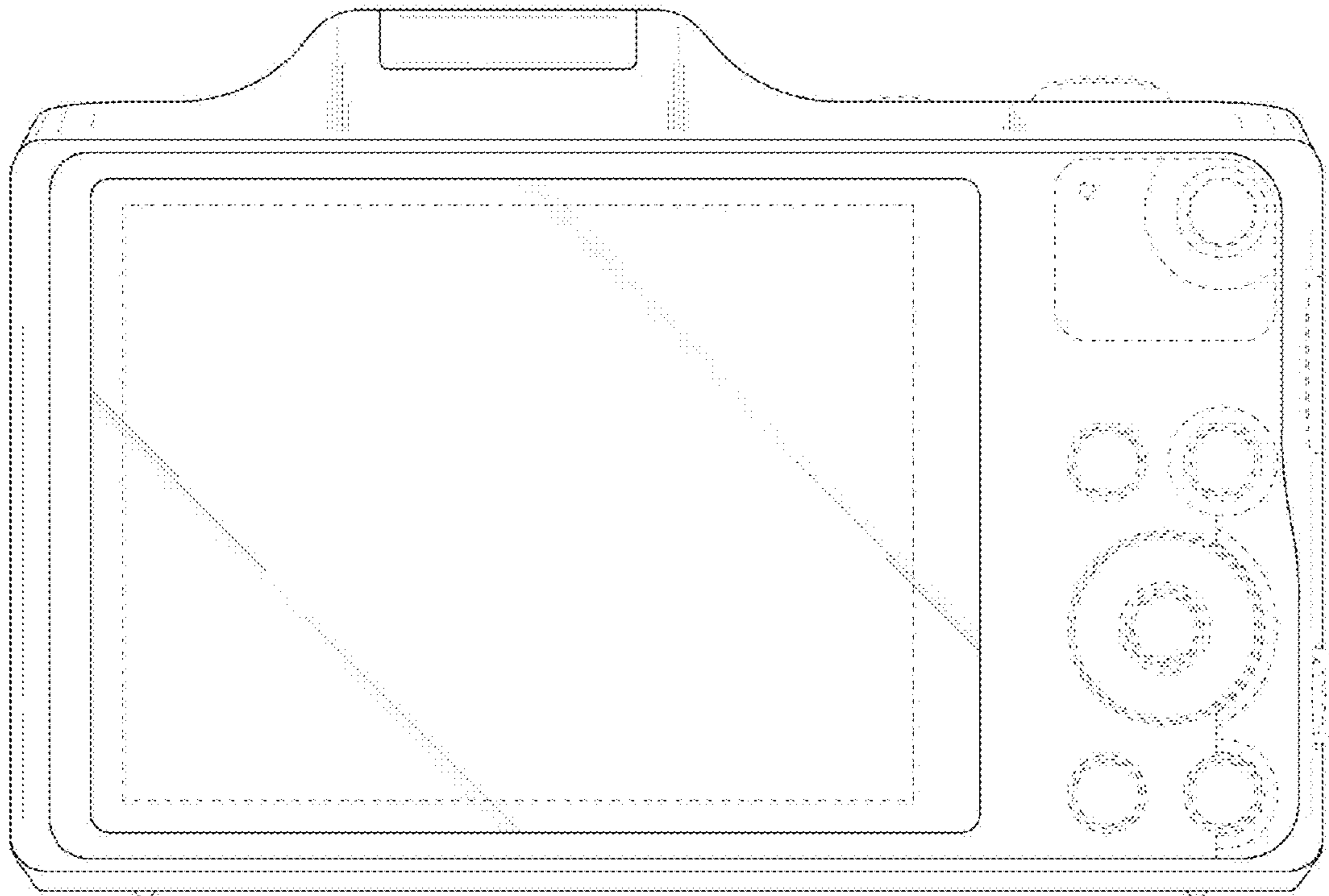


FIG.4

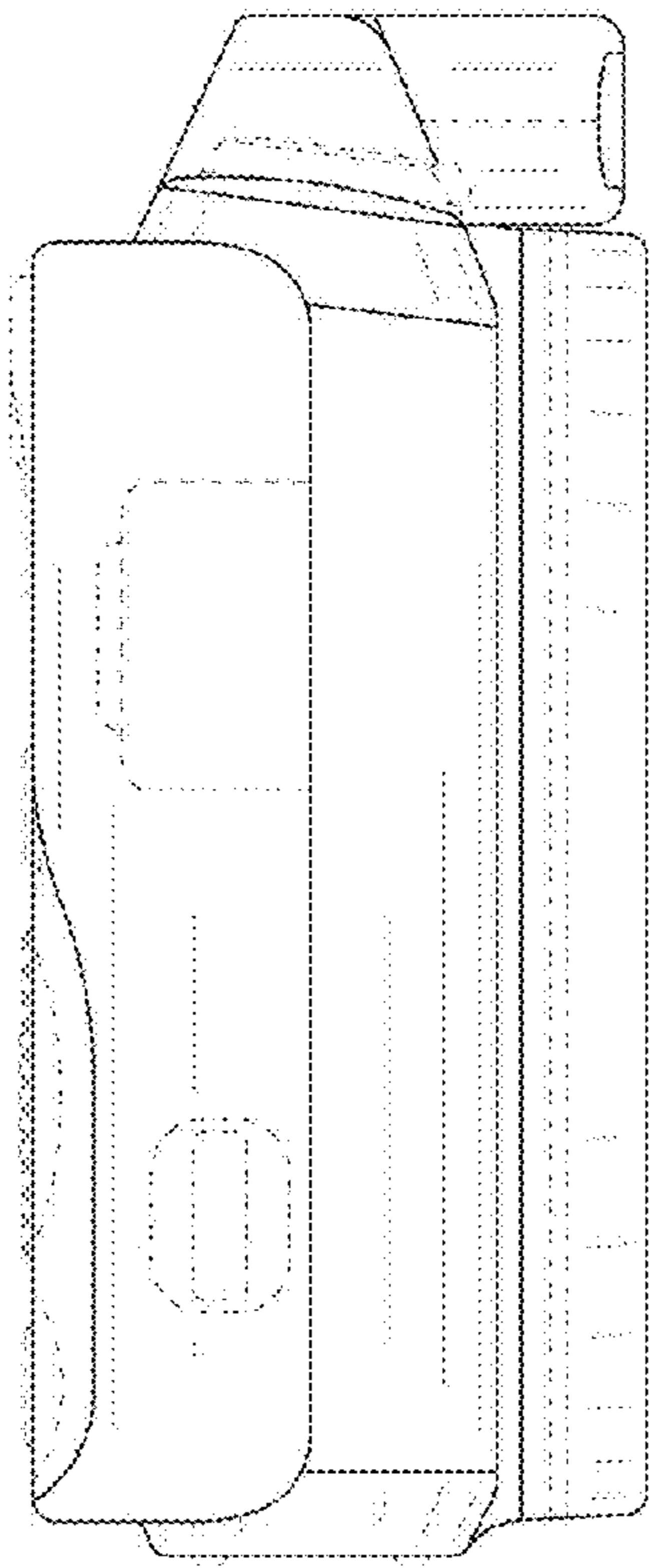


FIG.5

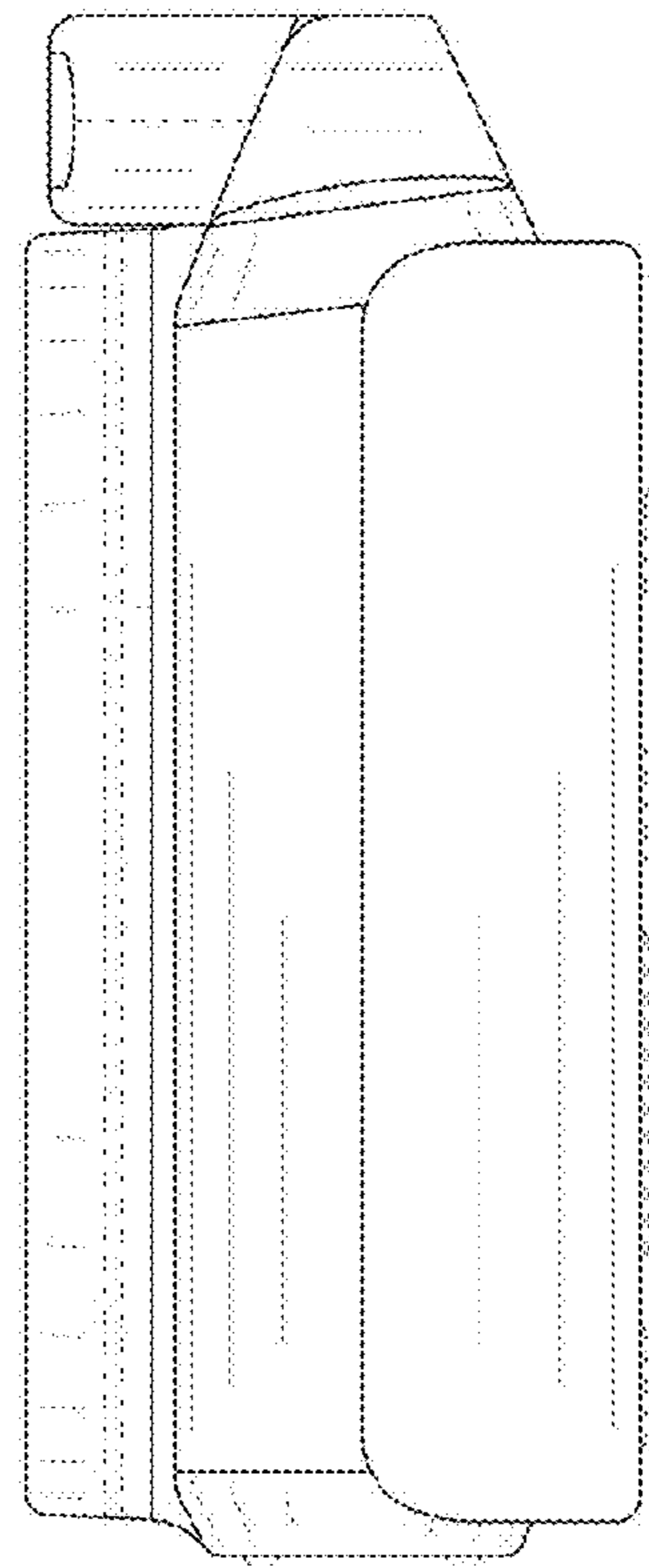


FIG.6

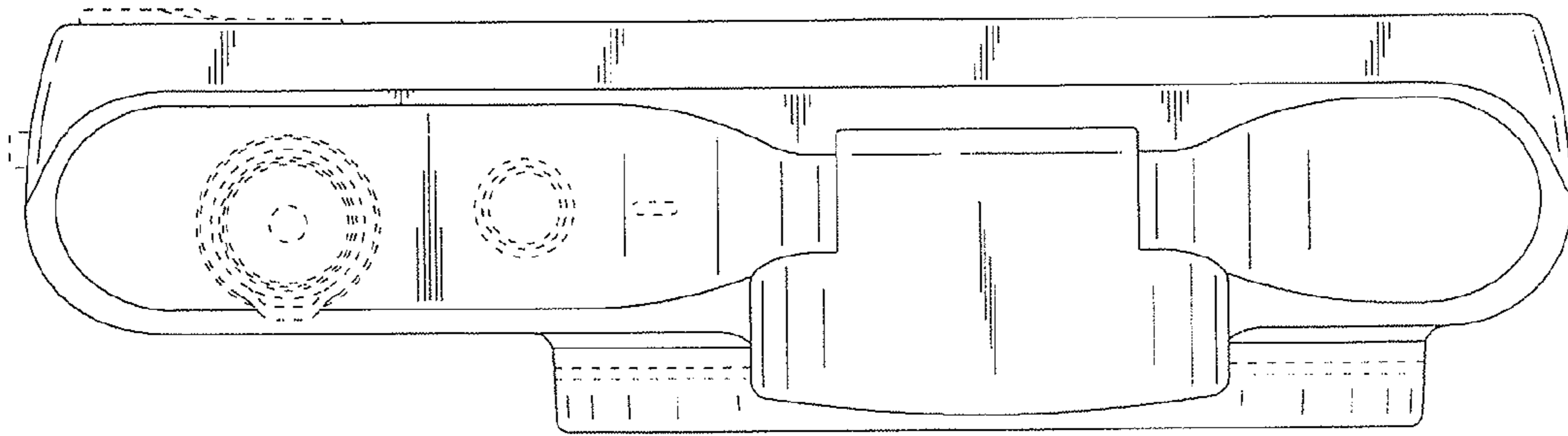


FIG.7

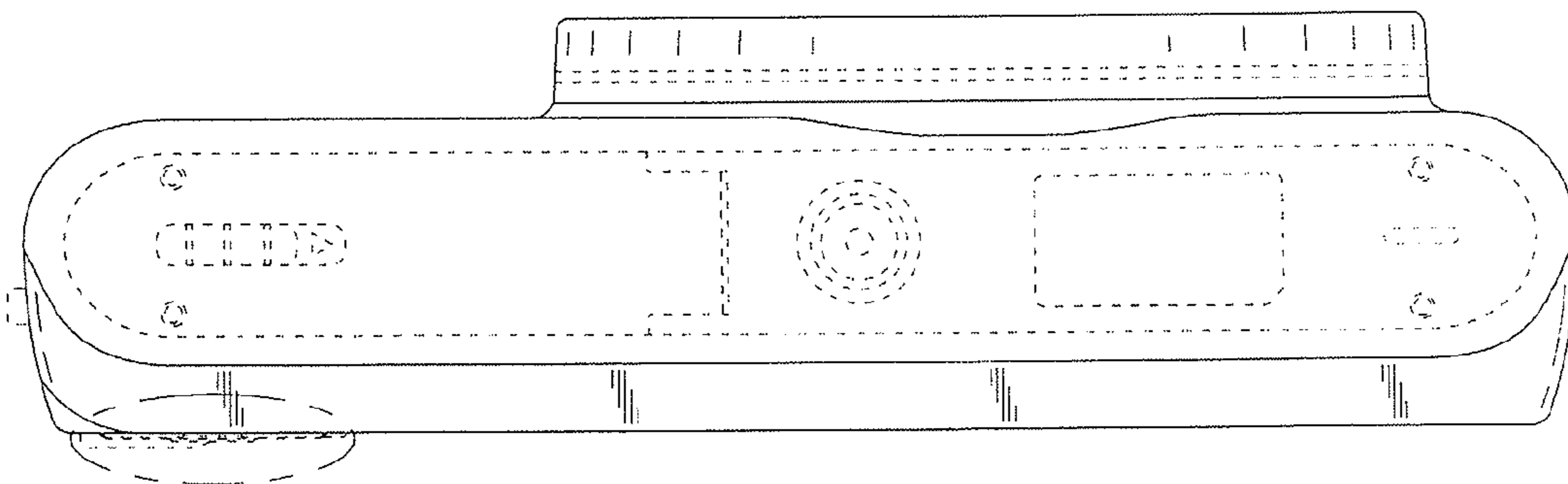


FIG. 8

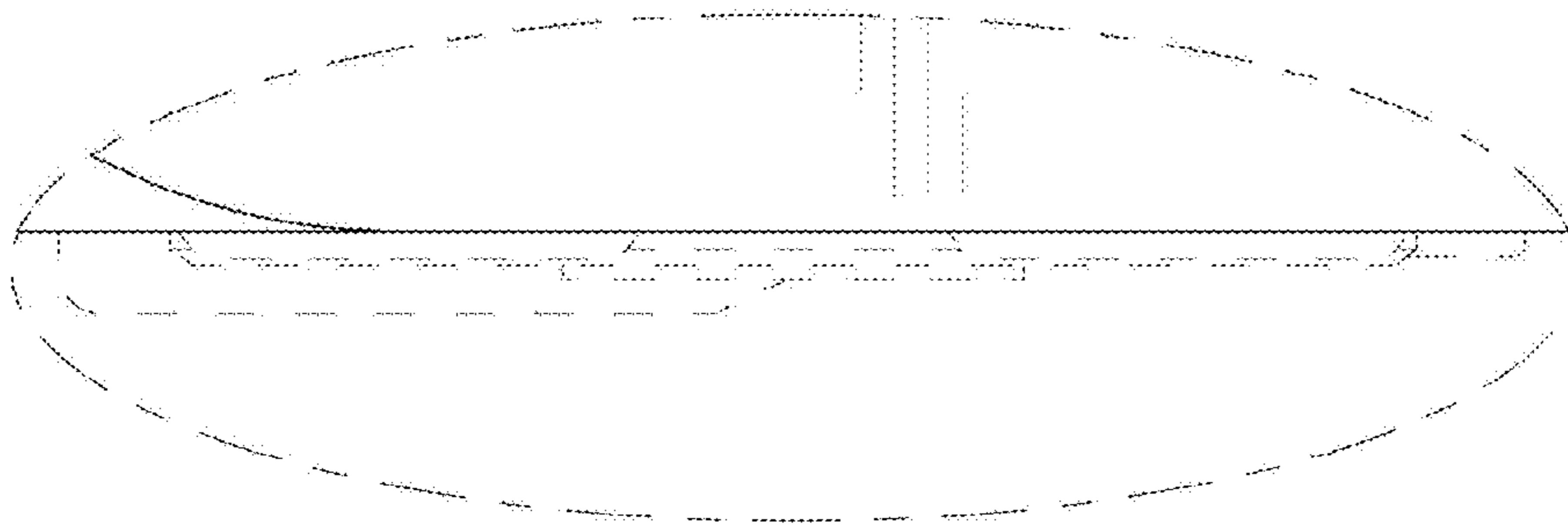


FIG.9

