



US00D738946S

(12) **United States Design Patent**
Culbertson et al.

(10) **Patent No.:** **US D738,946 S**

(45) **Date of Patent:** **** *Sep. 15, 2015**

(54) **NUCLEAR REACTOR BOILER DIVIDER
PLATE SHIELD**

(71) Applicant: **American Ceramic Technology**, Poway,
CA (US)

(72) Inventors: **Richard Culbertson**, Poway, CA (US);
Patrick Tony Pangacian, San Diego,
CA (US)

(73) Assignee: **American Ceramic Technology**, Poway,
CA (US)

(*) Notice: This patent is subject to a terminal disclaimer.

(**) Term: **14 Years**

(21) Appl. No.: **29/470,960**

(22) Filed: **Oct. 25, 2013**

Related U.S. Application Data

(63) Continuation-in-part of application No. 29/453,498,
filed on Apr. 30, 2013, now Pat. No. Des. 732,589.

(51) **LOC (10) Cl.** **15-99**

(52) **U.S. Cl.**
USPC **D15/199**; D15/138

(58) **Field of Classification Search**
USPC D8/354, 366, 380, 803; D15/138, 199
See application file for complete search history.

(56) **References Cited**

U.S. PATENT DOCUMENTS

| | | | | | |
|-----------|-----|---------|---------------|-------|------------|
| 2,911,458 | A * | 11/1959 | McKee | | 174/395 |
| 2,951,108 | A * | 8/1960 | Woods | | 174/395 |
| 3,005,174 | A * | 10/1961 | Pifer | | 439/607.59 |
| 3,036,145 | A * | 5/1962 | Murphy | | 174/395 |
| 3,109,050 | A * | 10/1963 | Lusic | | 174/395 |
| 3,307,121 | A * | 2/1967 | Loos | | 334/6 |
| 4,127,776 | A * | 11/1978 | Pickel | | 378/156 |
| 4,913,876 | A * | 4/1990 | Lettau et al. | | 376/444 |
| 5,154,648 | A * | 10/1992 | Buckshaw | | 165/134.1 |
| 5,168,235 | A * | 12/1992 | Bonner | | 324/508 |

| | | | | | |
|--------------|------|---------|------------------|-------|------------|
| 5,474,123 | A * | 12/1995 | Buckshaw | | 165/134.1 |
| 5,884,695 | A * | 3/1999 | Brownlee | | 165/134.1 |
| 6,939,434 | B2 * | 9/2005 | Collins et al. | | 156/345.35 |
| D596,020 | S * | 7/2009 | Lisowski | | D8/380 |
| 2003/0123600 | A1 * | 7/2003 | Hesketh et al. | | 376/435 |
| 2004/0076253 | A1 * | 4/2004 | Soderlund et al. | | 376/310 |
| 2005/0105677 | A1 * | 5/2005 | Yoon et al. | | 376/462 |
| 2006/0227923 | A1 * | 10/2006 | Brashier et al. | | 376/364 |
| 2008/0110602 | A1 * | 5/2008 | Woodson | | 165/134.1 |
| 2008/0152069 | A1 * | 6/2008 | Aktas et al. | | 376/362 |
| 2009/0060117 | A1 * | 3/2009 | Yoon et al. | | 376/439 |
| 2009/0252280 | A1 * | 10/2009 | Lutz | | 376/431 |
| 2010/0101511 | A1 * | 4/2010 | Nordh | | 122/512 |

* cited by examiner

Primary Examiner — Patricia Palasik

(74) *Attorney, Agent, or Firm* — Mastermind IP Law P.C.;
Diane L. Gardner

(57) **CLAIM**

The ornamental design for a nuclear reactor boiler divider plate shield, substantially as shown and described.

DESCRIPTION

FIG. 1 is a front perspective view of a nuclear reactor boiler divider plate shield showing the new design;
 FIG. 2 is a rear perspective view thereof;
 FIG. 3 is a front view thereof;
 FIG. 4 is a rear view thereof;
 FIG. 5 is a top view thereof;
 FIG. 6 is a bottom view thereof;
 FIG. 7 is a side view thereof;
 FIG. 8 is a side view thereof;
 FIG. 9 is a front perspective view of a nuclear reactor boiler divider plate shield showing another embodiment of the new design;
 FIG. 10 is a rear perspective view thereof;
 FIG. 11 is a front view thereof;
 FIG. 12 is a rear view thereof;
 FIG. 13 is a top view thereof;
 FIG. 14 is a bottom view thereof;
 FIG. 15 is a side view thereof;
 FIG. 16 is a side view thereof;

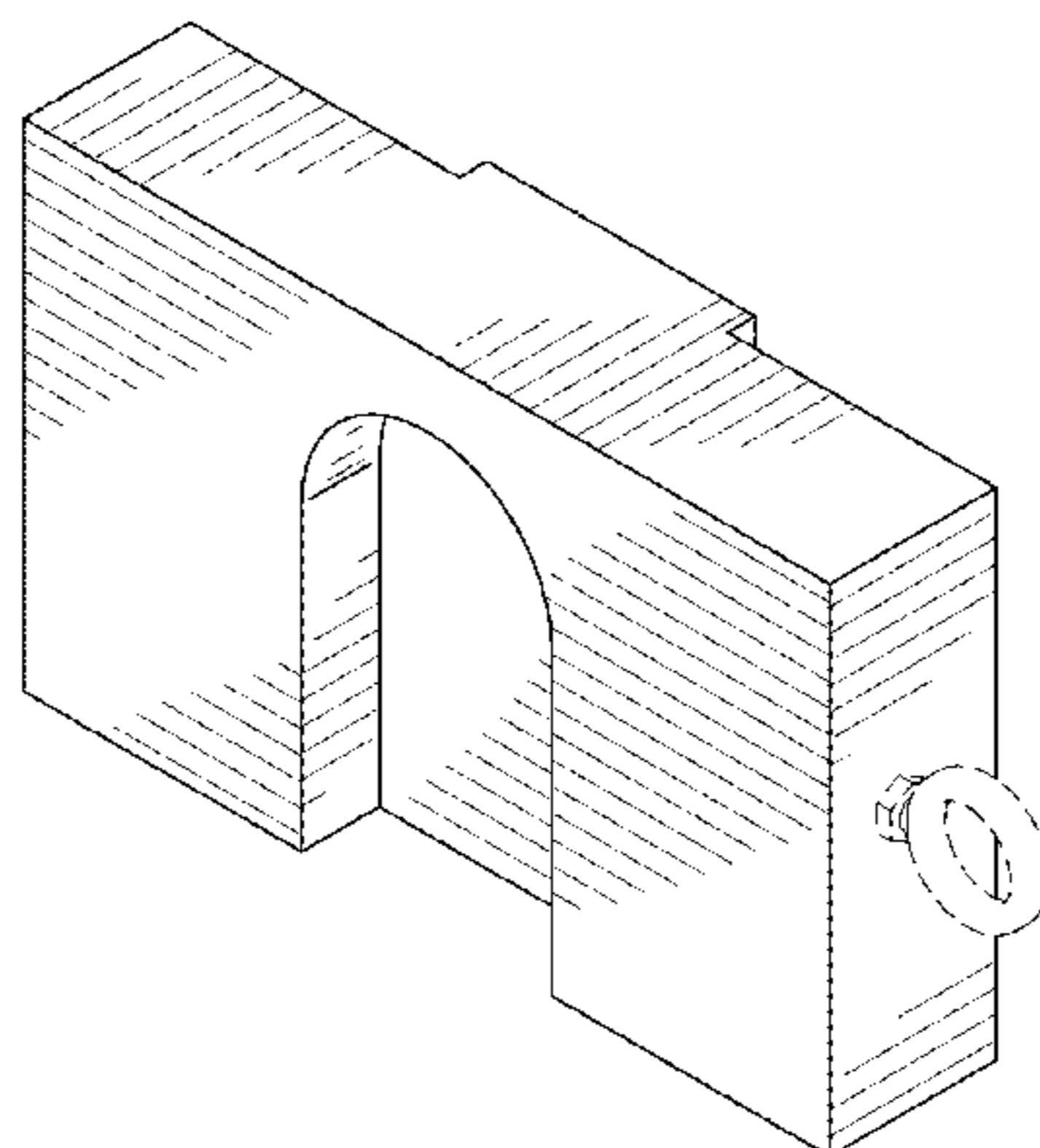


FIG. 17 is a front perspective view of a nuclear reactor boiler divider plate shield showing another embodiment of the new design;

FIG. 18 is a rear perspective view thereof;

FIG. 19 is a front view thereof;

FIG. 20 is a rear view thereof;

FIG. 21 is a top view thereof;

FIG. 22 is a bottom view thereof;

FIG. 23 is a side view thereof;

FIG. 24 is a side view thereof;

FIG. 25 is a front perspective view of a nuclear reactor boiler divider plate shield showing another embodiment of the new design;

FIG. 26 is a rear perspective view thereof;

FIG. 27 is a front view thereof;

FIG. 28 is a rear view thereof;

FIG. 29 is a top view thereof;

FIG. 30 is a bottom view thereof;

FIG. 31 is a side view thereof;

FIG. 32 is a side view thereof;

FIG. 33 is a front perspective view of a nuclear reactor boiler divider plate shield showing another embodiment of the new design;

FIG. 34 is a rear perspective view thereof;

FIG. 35 is a front view thereof;

FIG. 36 is a rear view thereof;

FIG. 37 is a top view thereof;

FIG. 38 is a bottom view thereof;

FIG. 39 is a side view thereof;

FIG. 40 is a side view thereof;

FIG. 41 is a front perspective view of a nuclear reactor boiler divider plate shield showing another embodiment of the new design;

FIG. 42 is a rear perspective view thereof;

FIG. 43 is a front view thereof;

FIG. 44 is a rear view thereof;

FIG. 45 is a top view thereof;

FIG. 46 is a bottom view thereof;

FIG. 47 is a side view thereof;

FIG. 48 is a side view thereof;

FIG. 49 is a front perspective view of a nuclear reactor boiler divider plate shield showing another embodiment of the new design;

FIG. 50 is a rear perspective view thereof;

FIG. 51 is a front view thereof;

FIG. 52 is a rear view thereof;

FIG. 53 is a top view thereof;

FIG. 54 is a bottom view thereof;

FIG. 55 is a side view thereof;

FIG. 56 is a side view thereof;

FIG. 57 is a front perspective view of a nuclear reactor boiler divider plate shield showing another embodiment of the new design;

FIG. 58 is a rear perspective view thereof;

FIG. 59 is a front view thereof;

FIG. 60 is a rear view thereof;

FIG. 61 is a top view thereof;

FIG. 62 is a bottom view thereof;

FIG. 63 is a side view thereof;

FIG. 64 is a side view thereof;

FIG. 65 is a front perspective view of a nuclear reactor boiler divider plate shield showing another embodiment of the new design;

FIG. 66 is a rear perspective view thereof;

FIG. 67 is a front view thereof;

FIG. 68 is a rear view thereof;

FIG. 69 is a top view thereof;

FIG. 70 is a bottom view thereof;

FIG. 71 is a side view thereof; and,

FIG. 72 is a side view thereof.

The claimed design can be used, for example, as radiation shielding.

1 Claim, 27 Drawing Sheets

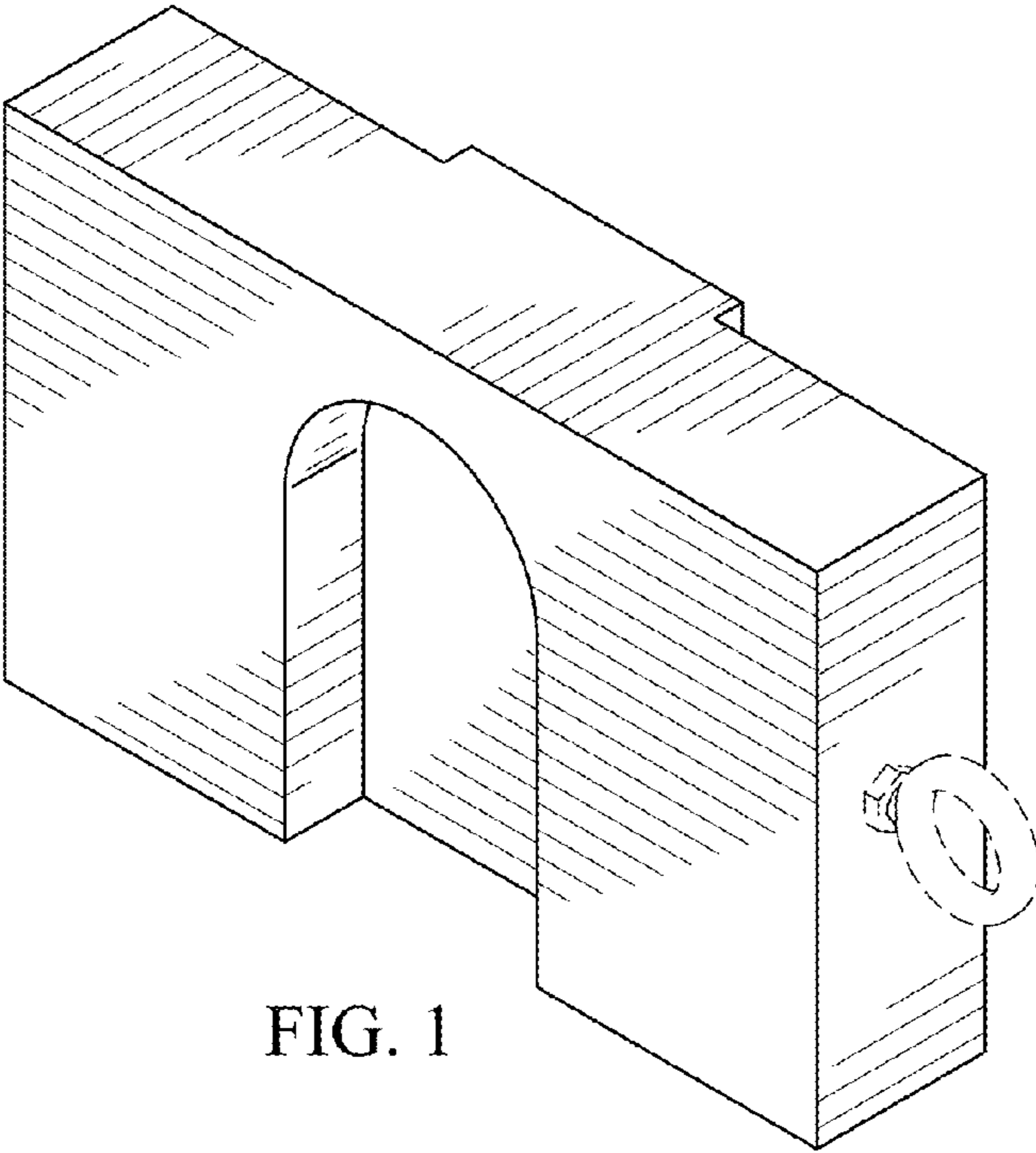


FIG. 1

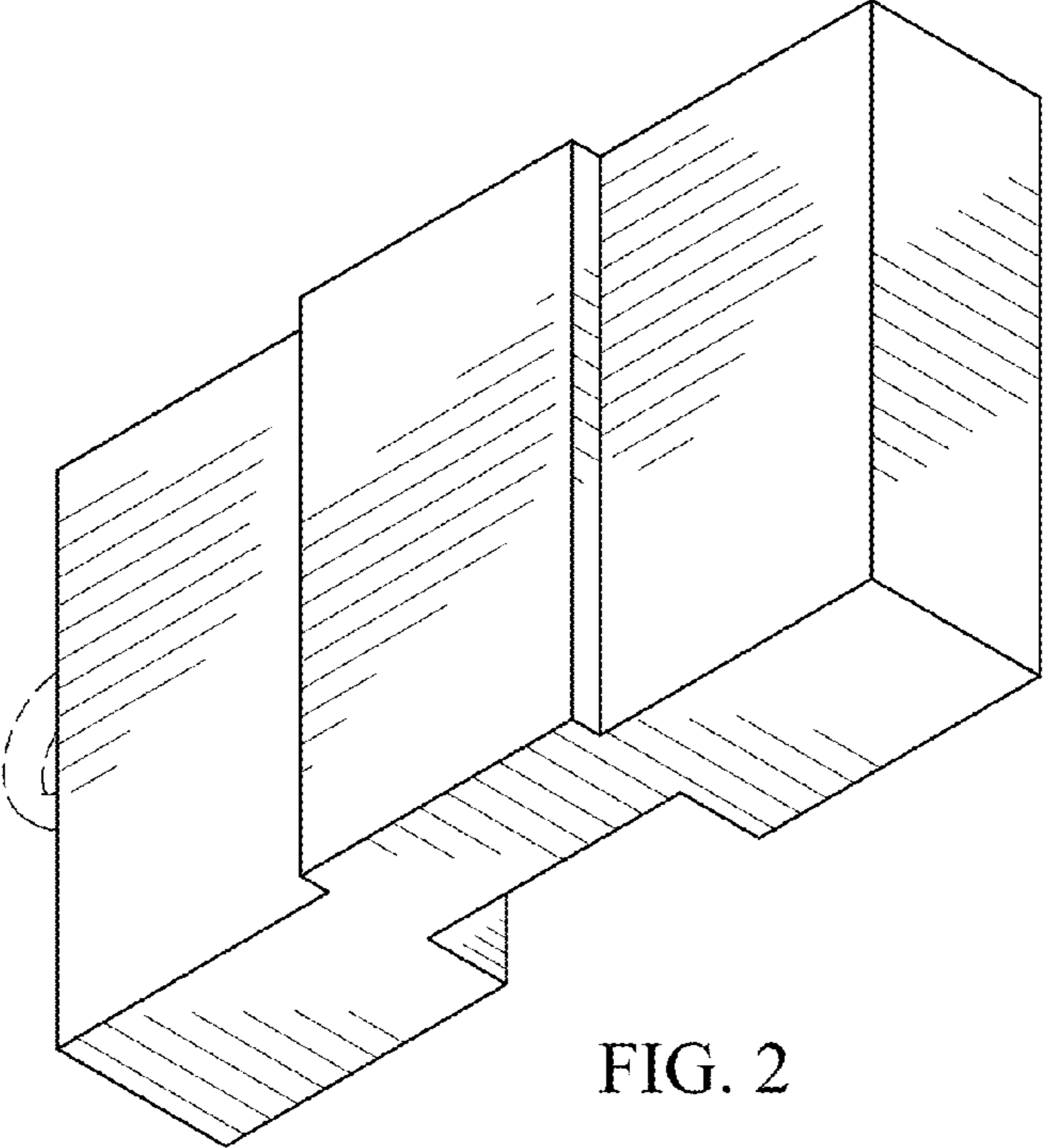


FIG. 2

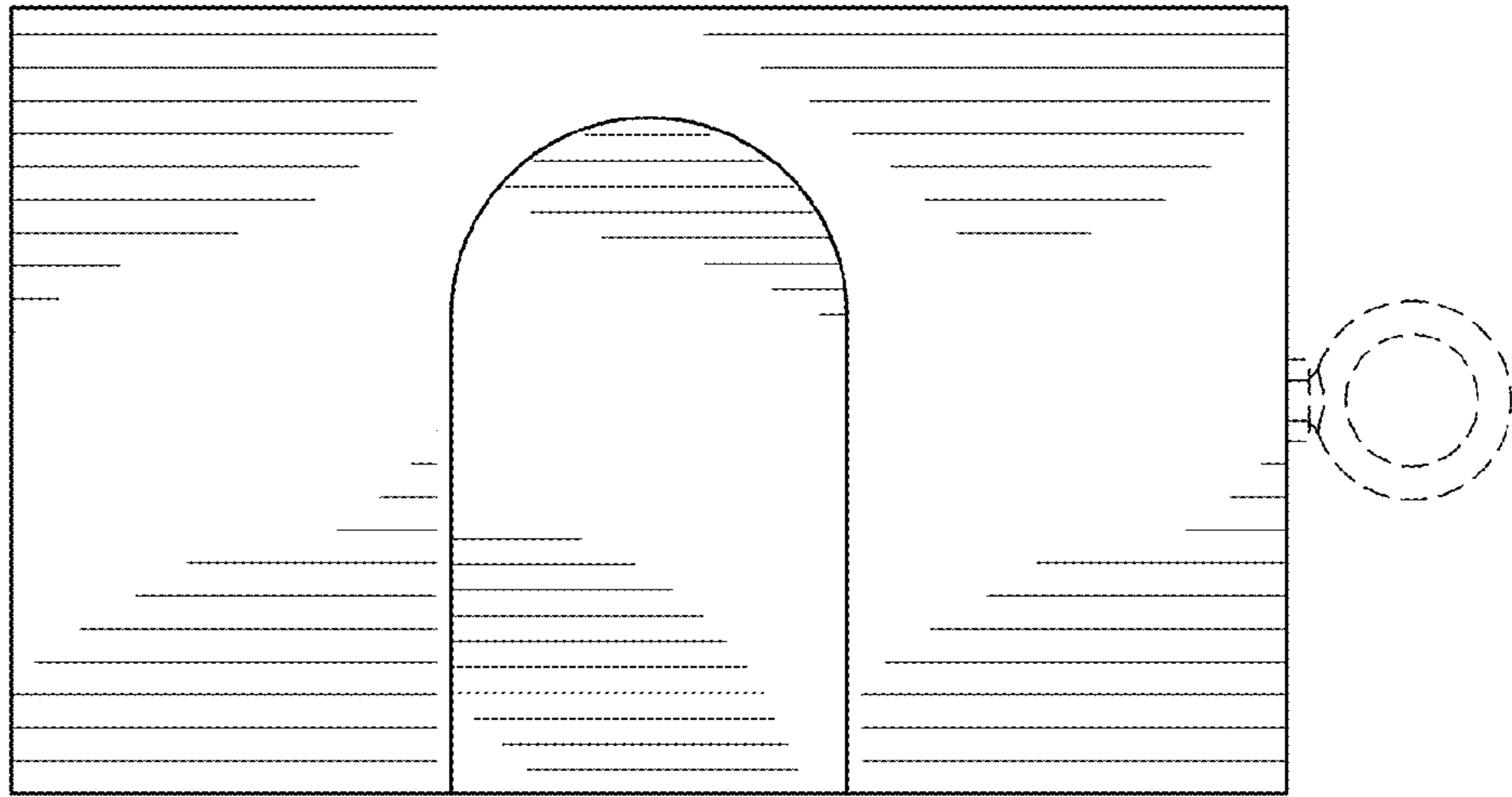


FIG. 3

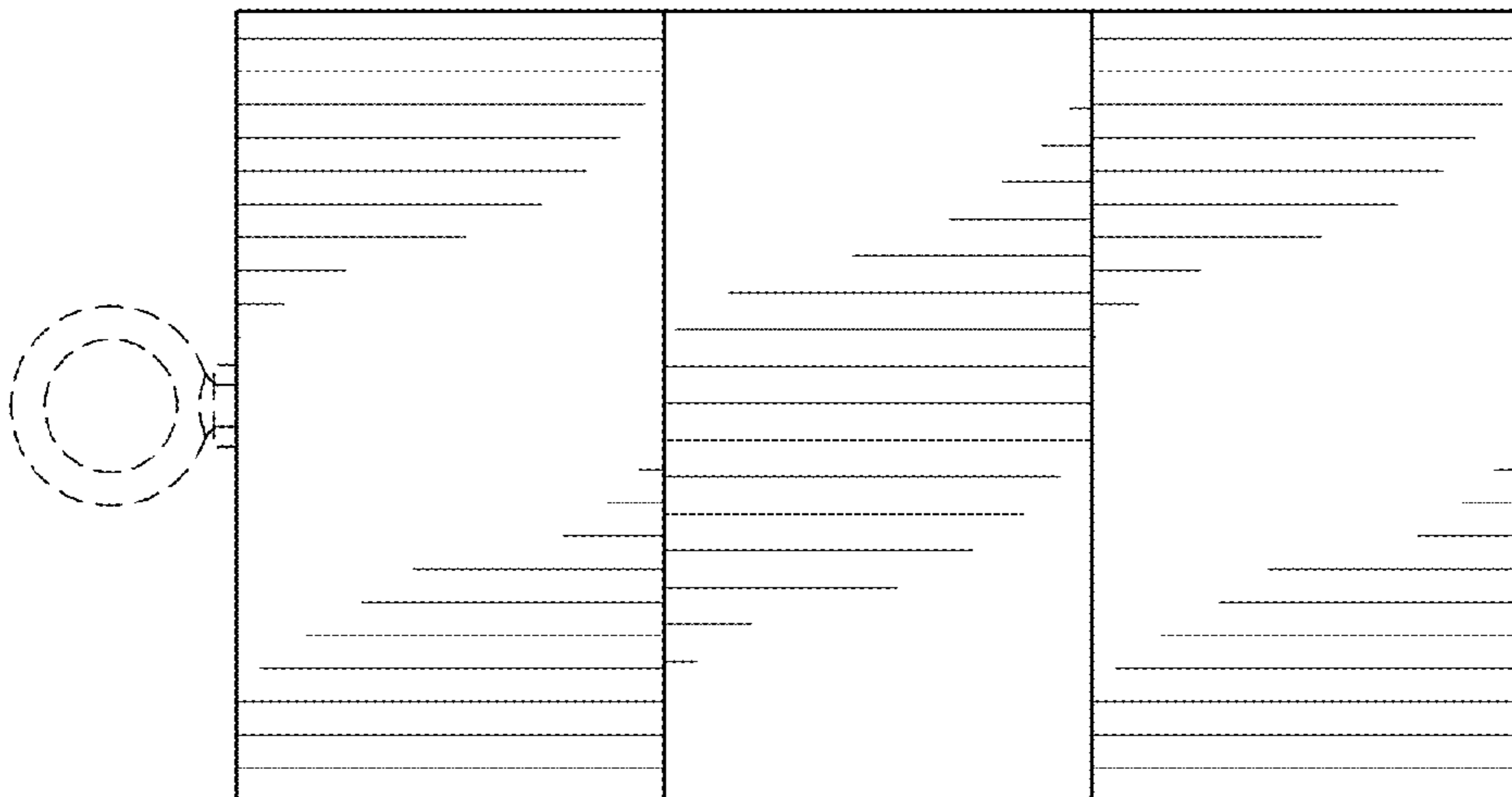


FIG. 4

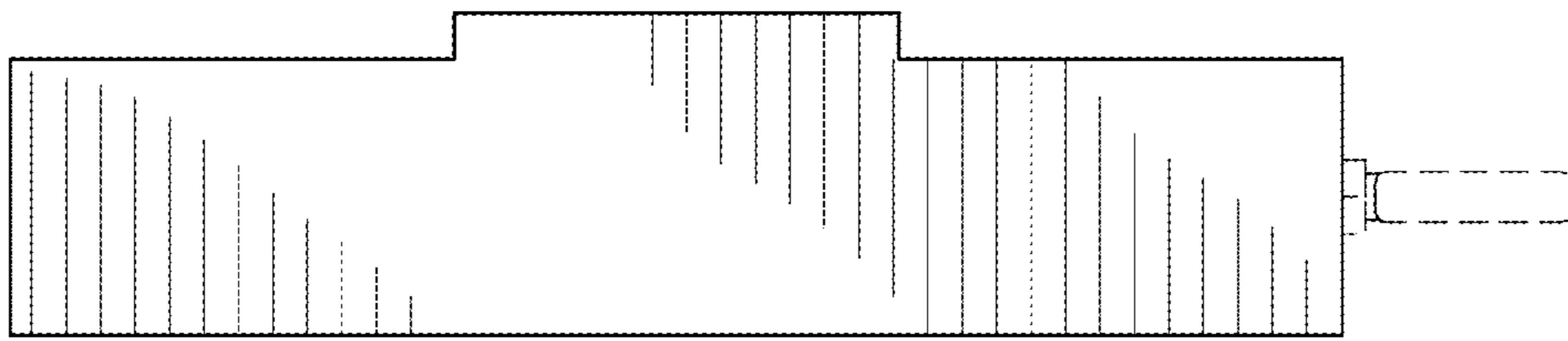


FIG. 5

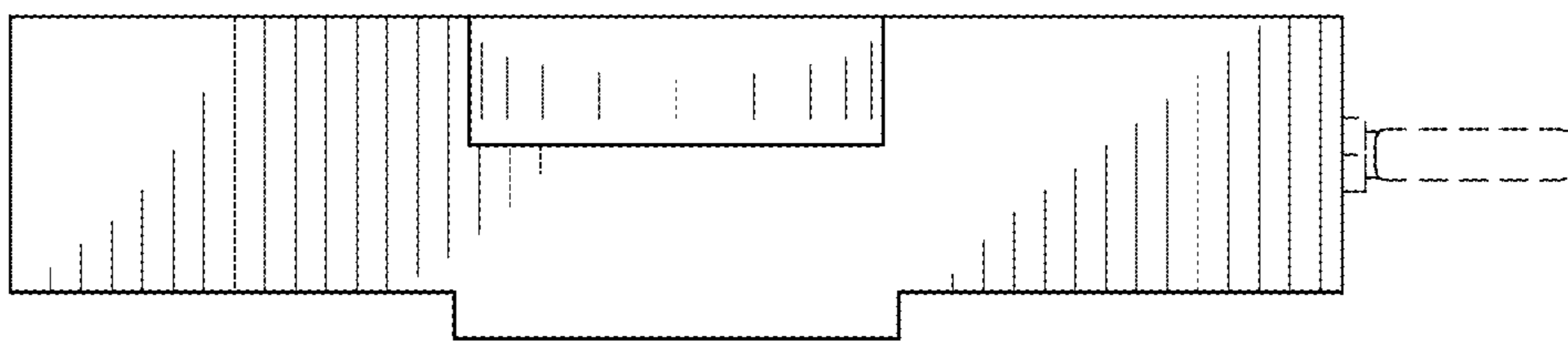


FIG. 6

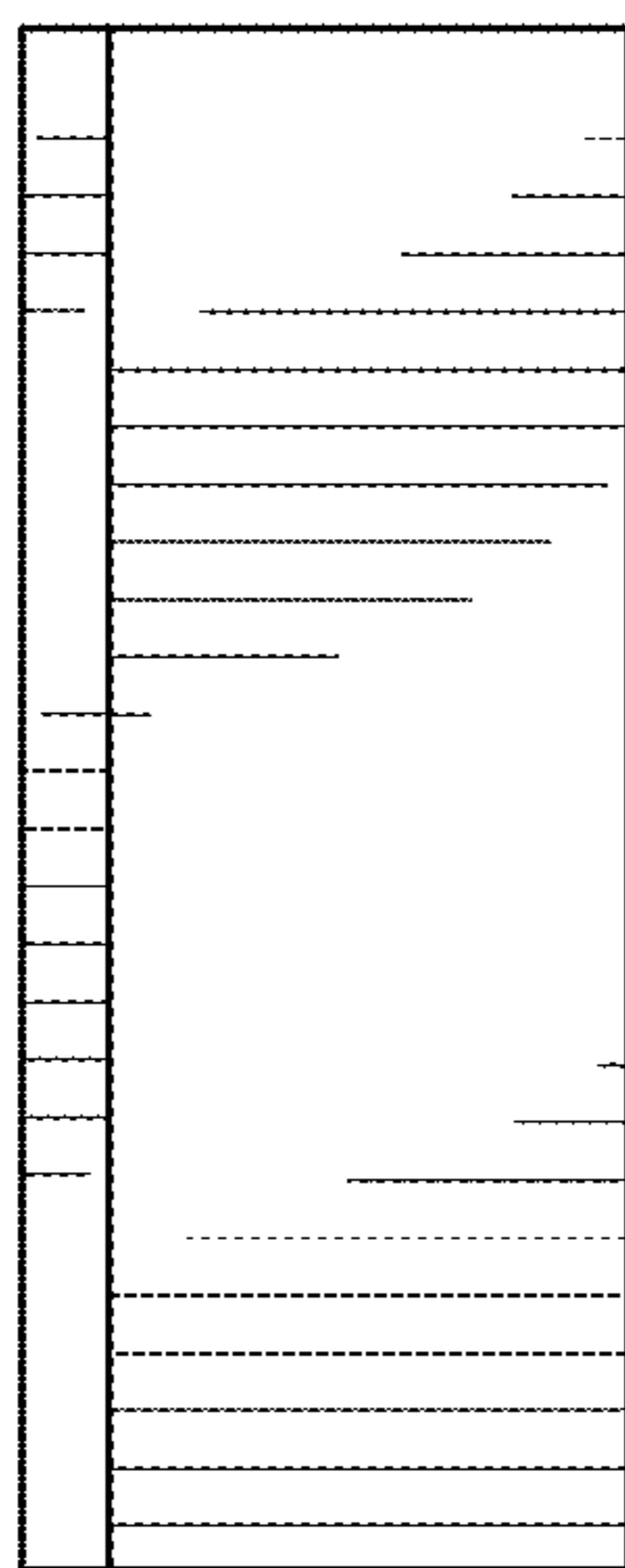


FIG. 7

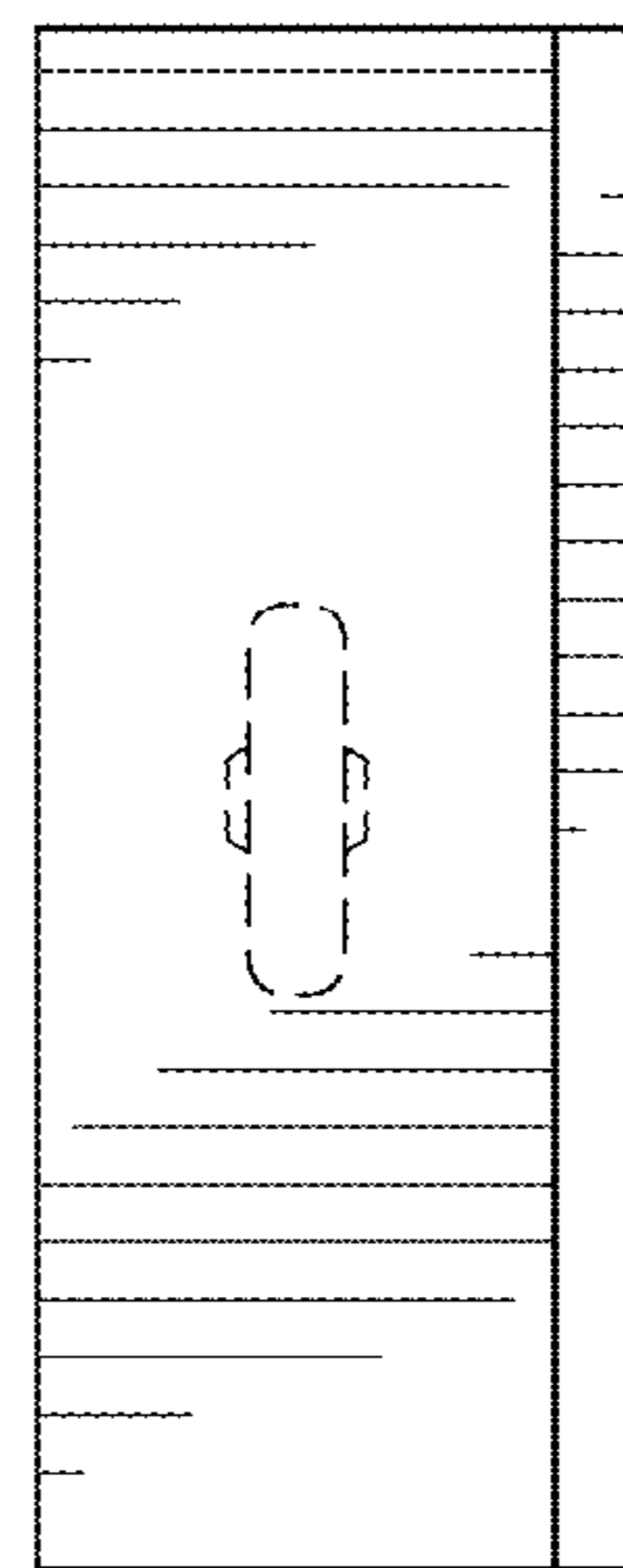


FIG. 8

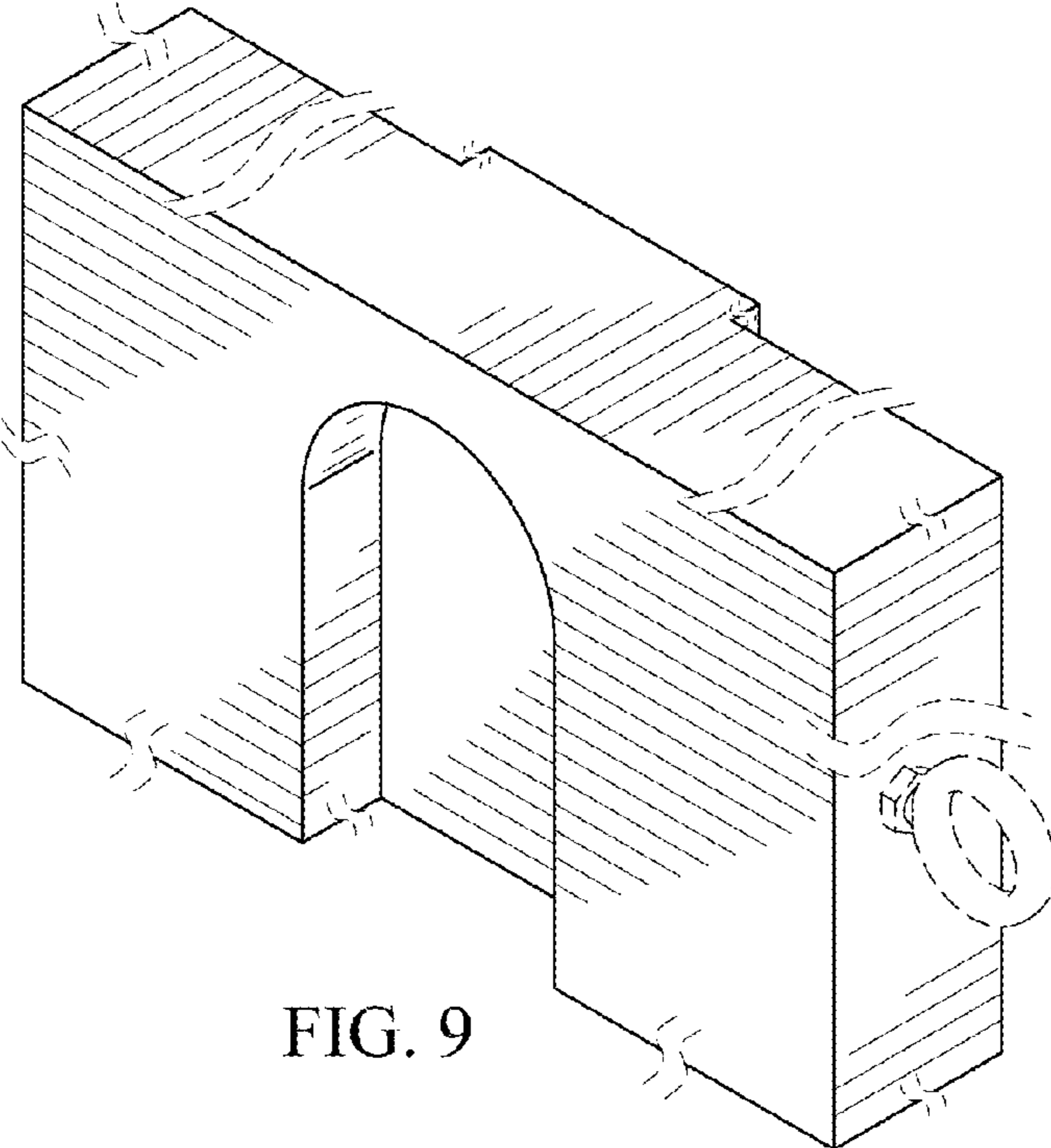


FIG. 9

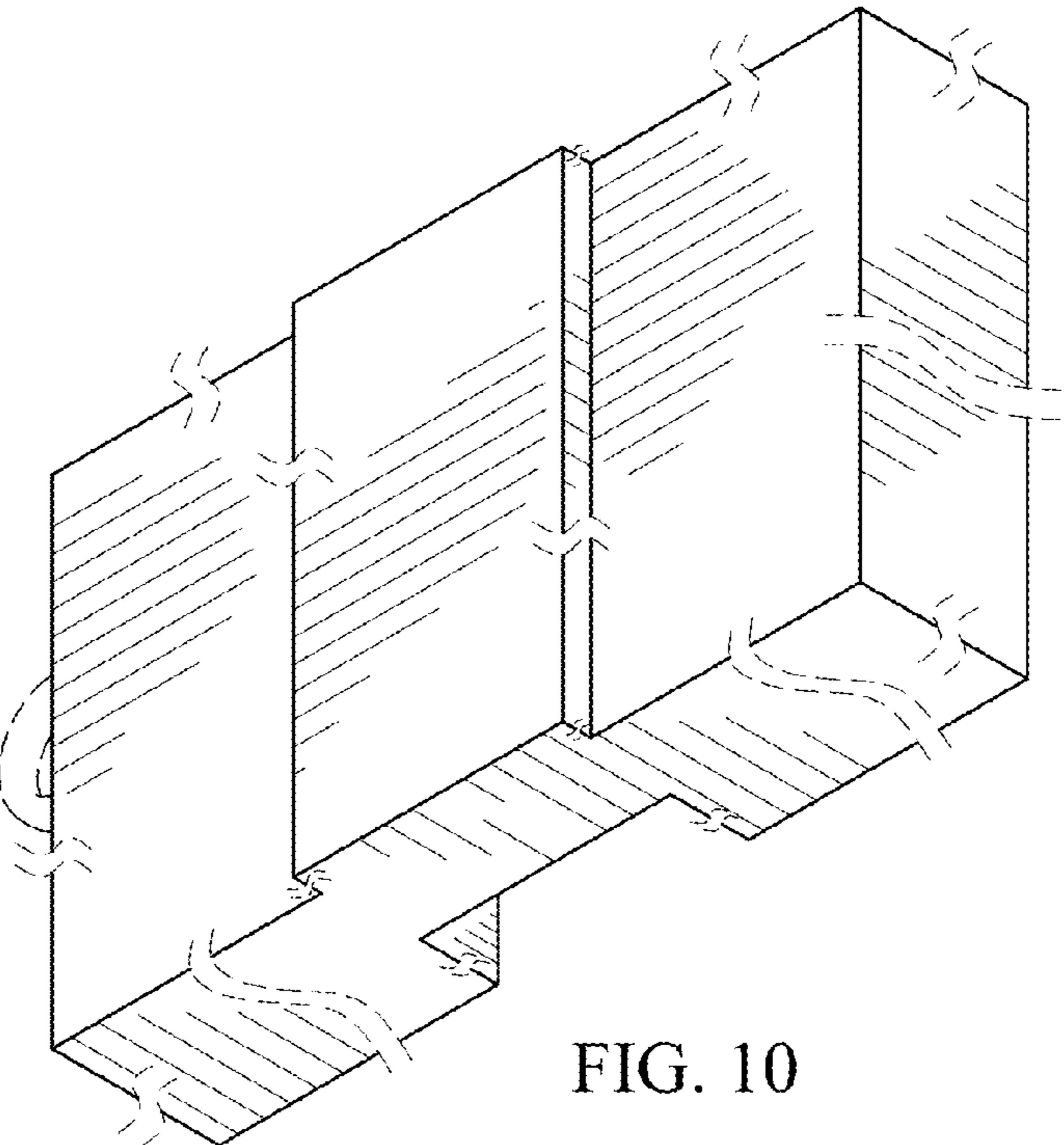


FIG. 10

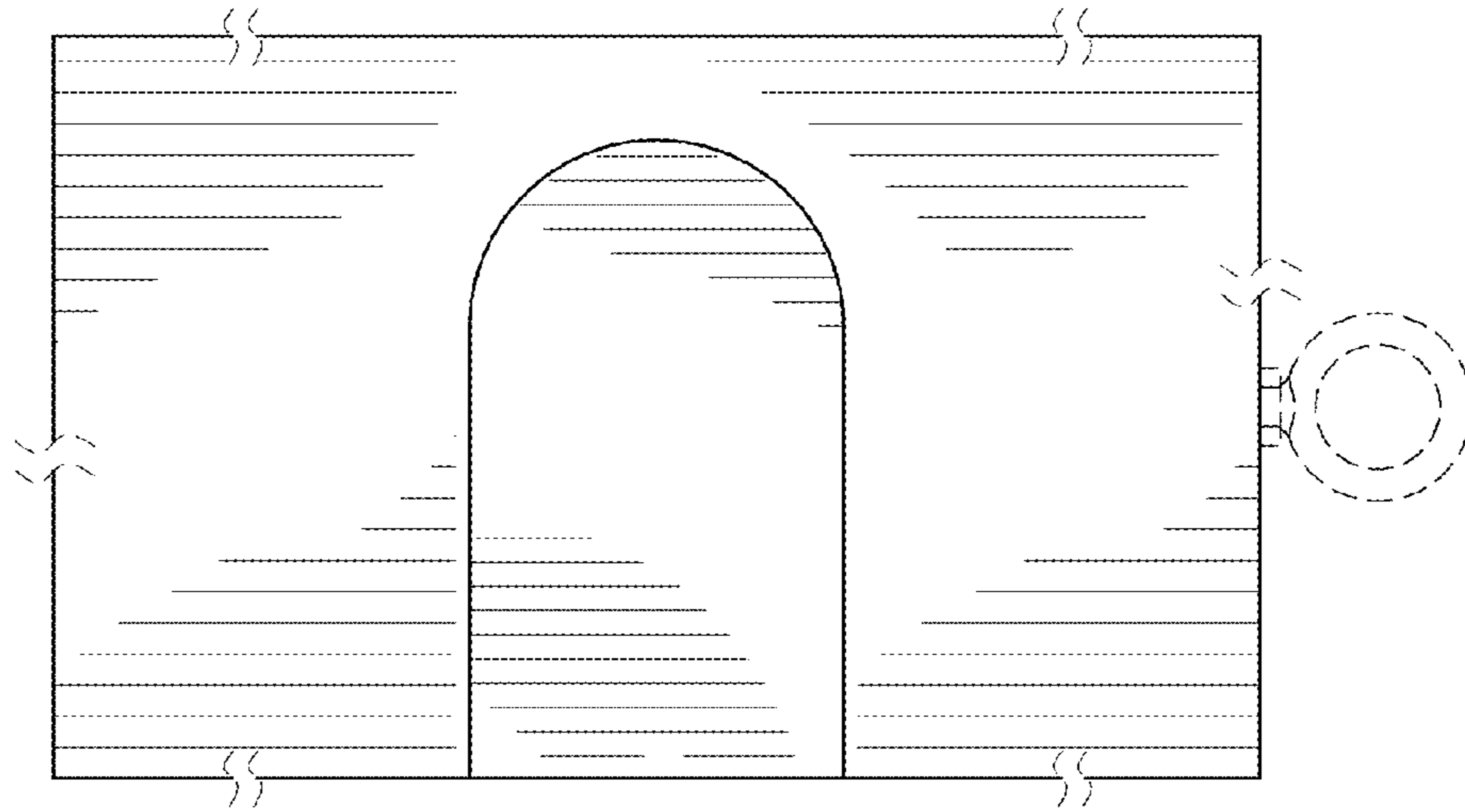


FIG. 11

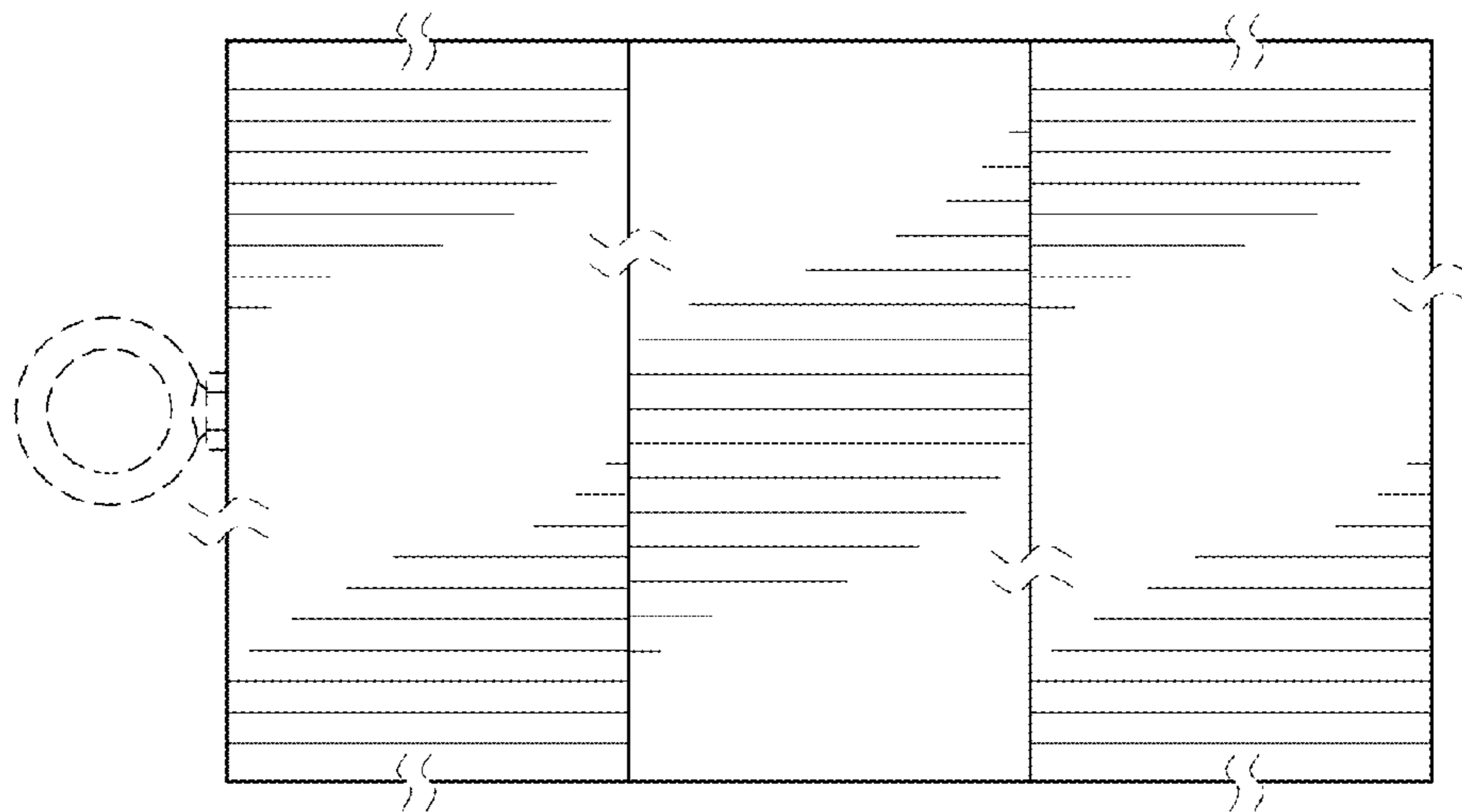


FIG. 12

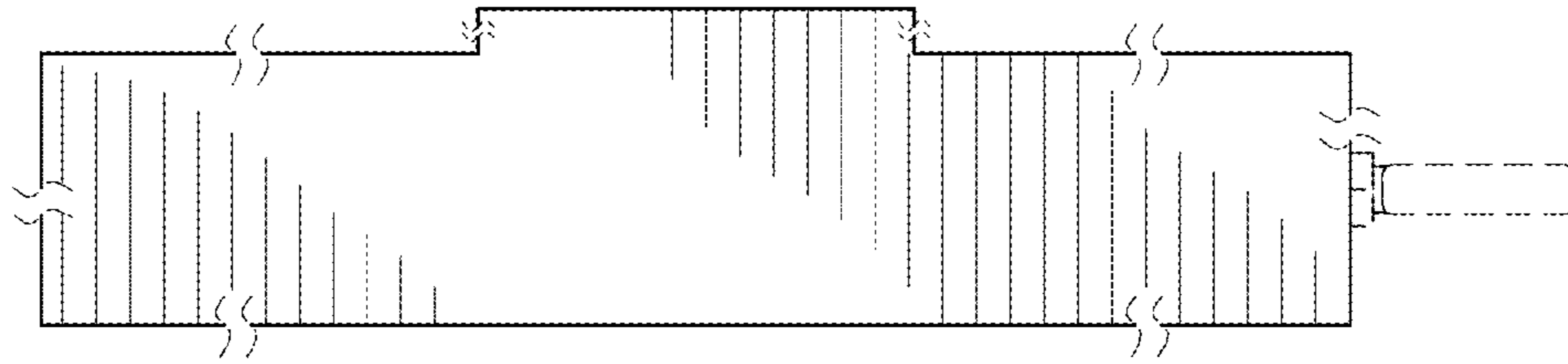


FIG. 13

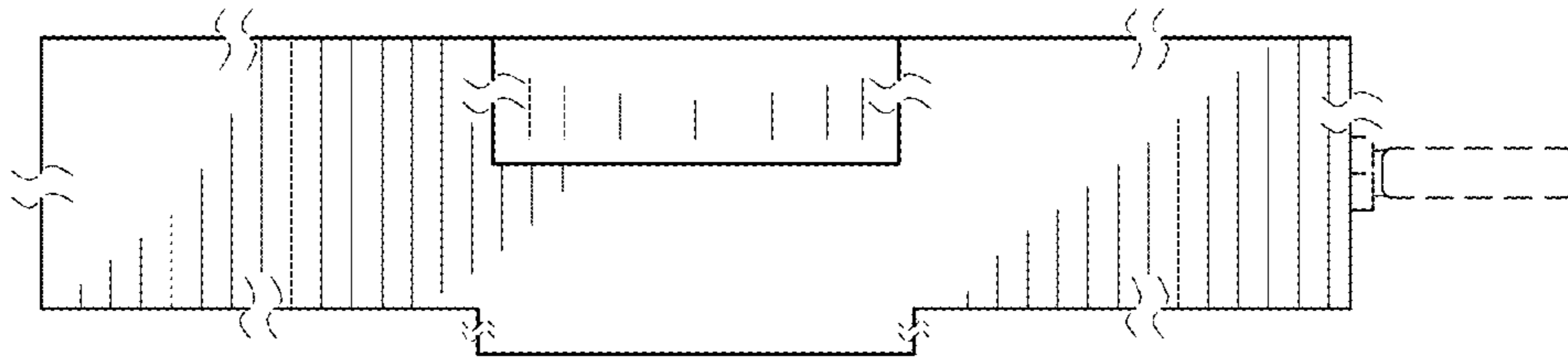


FIG. 14

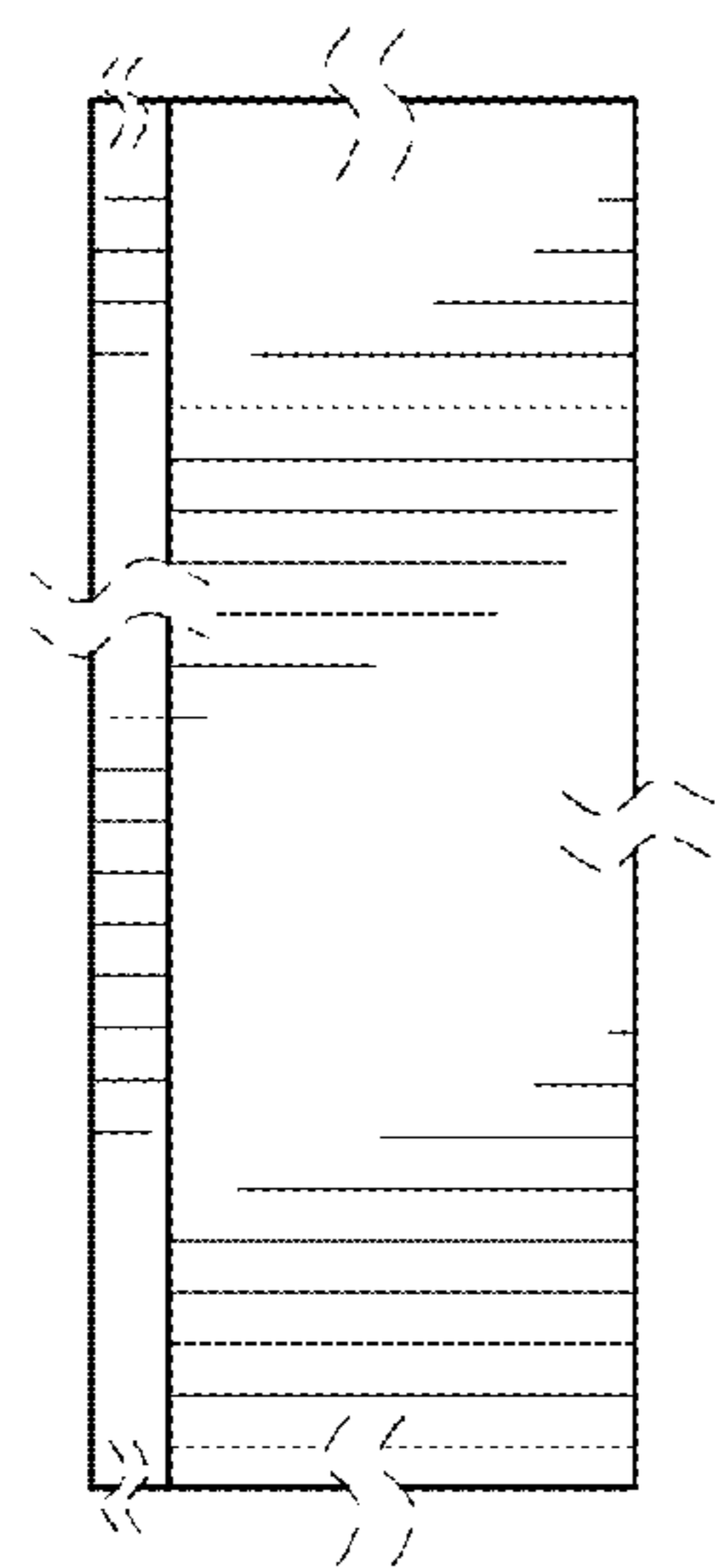


FIG. 15

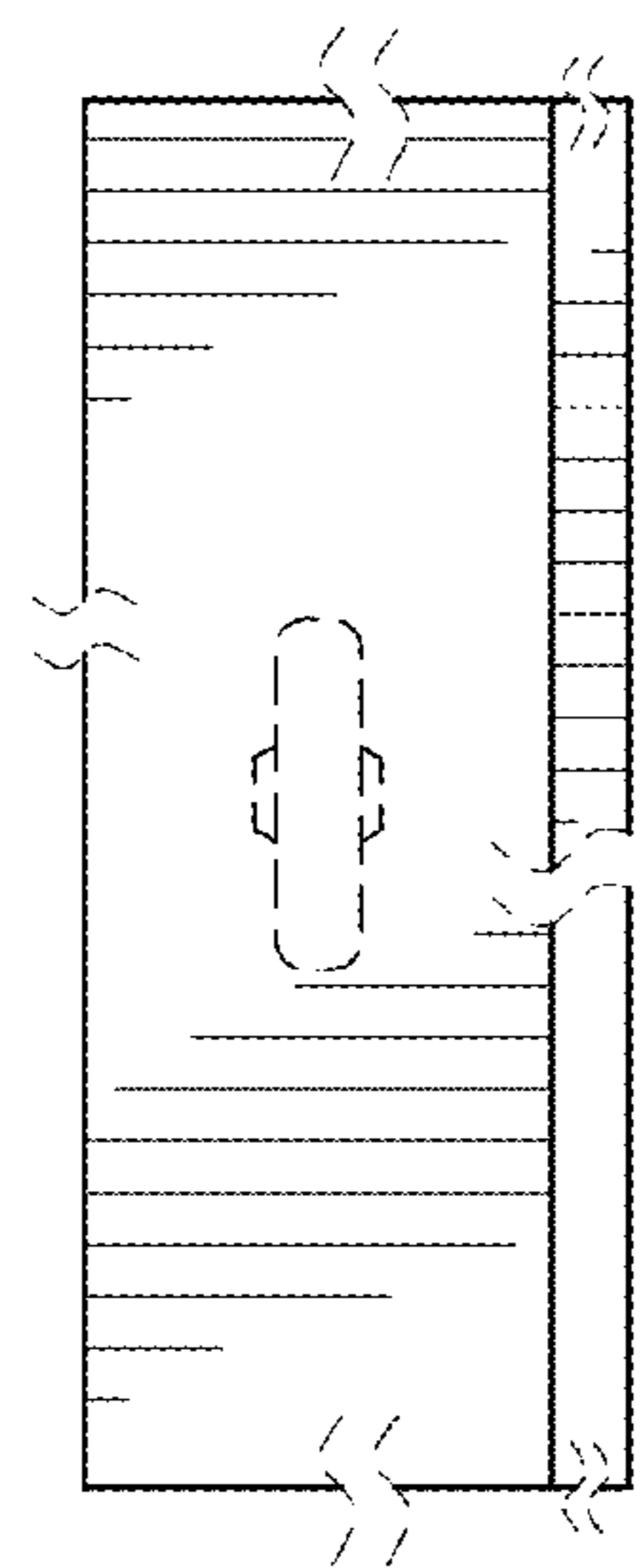


FIG. 16

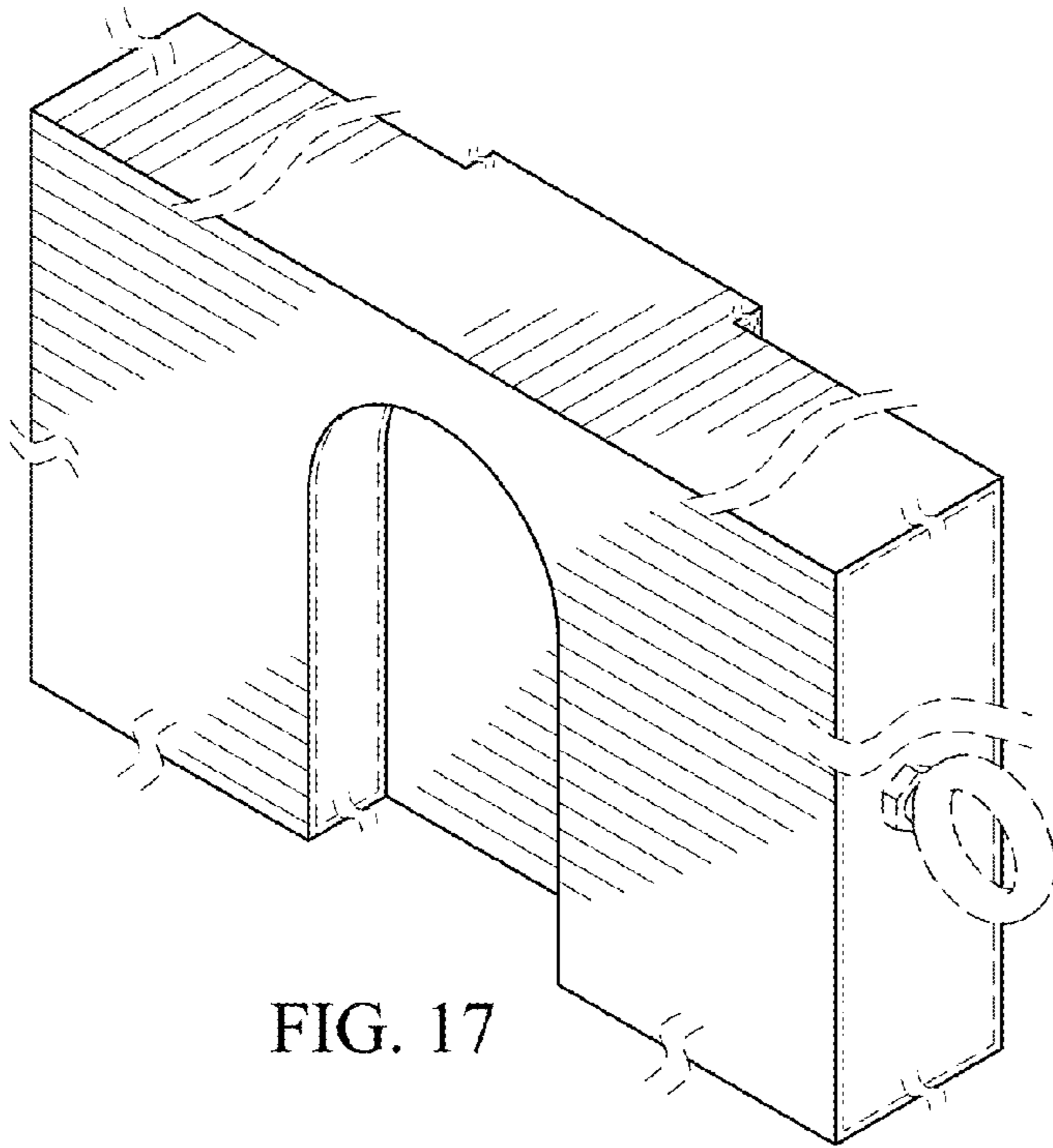


FIG. 17

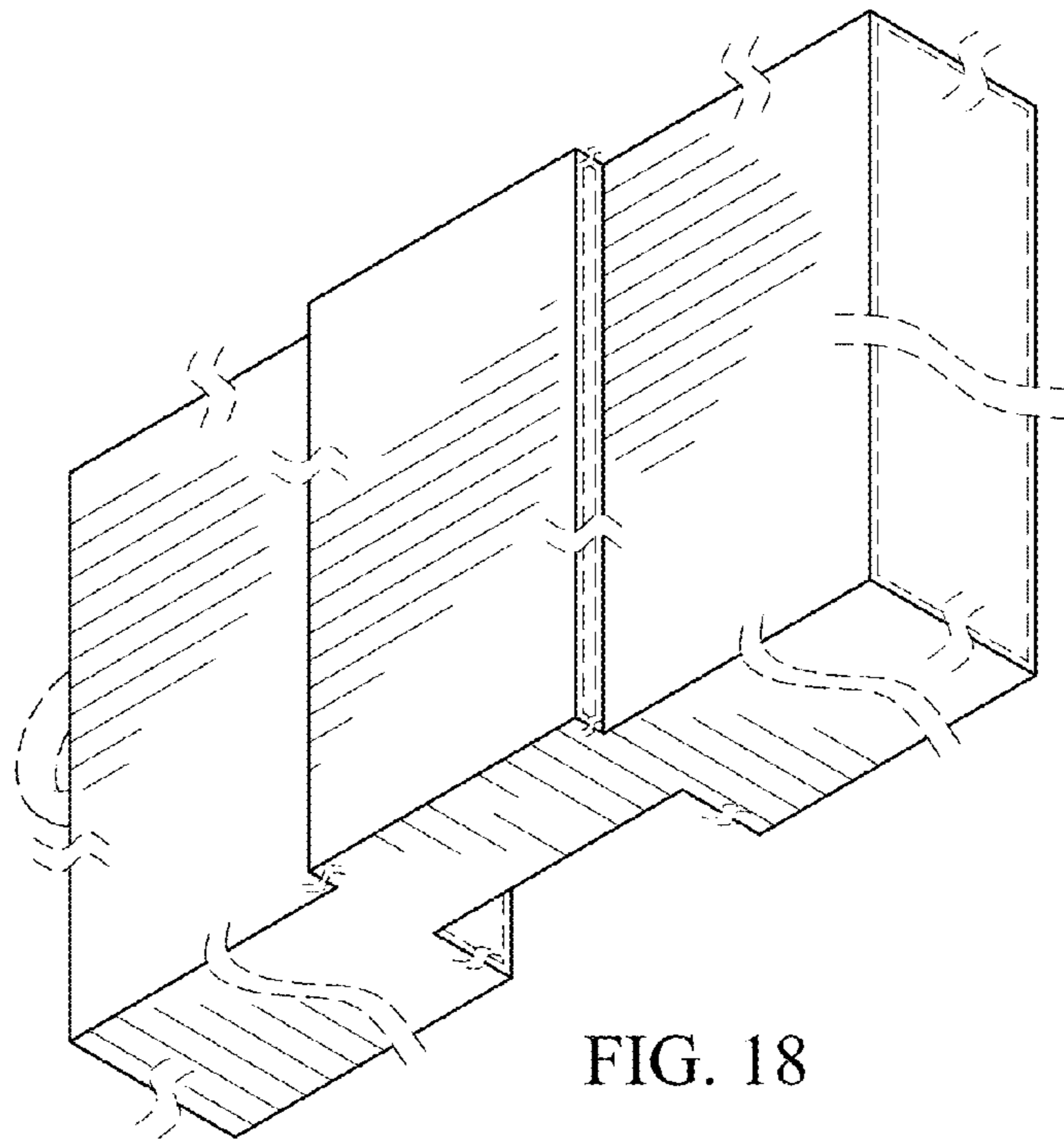


FIG. 18

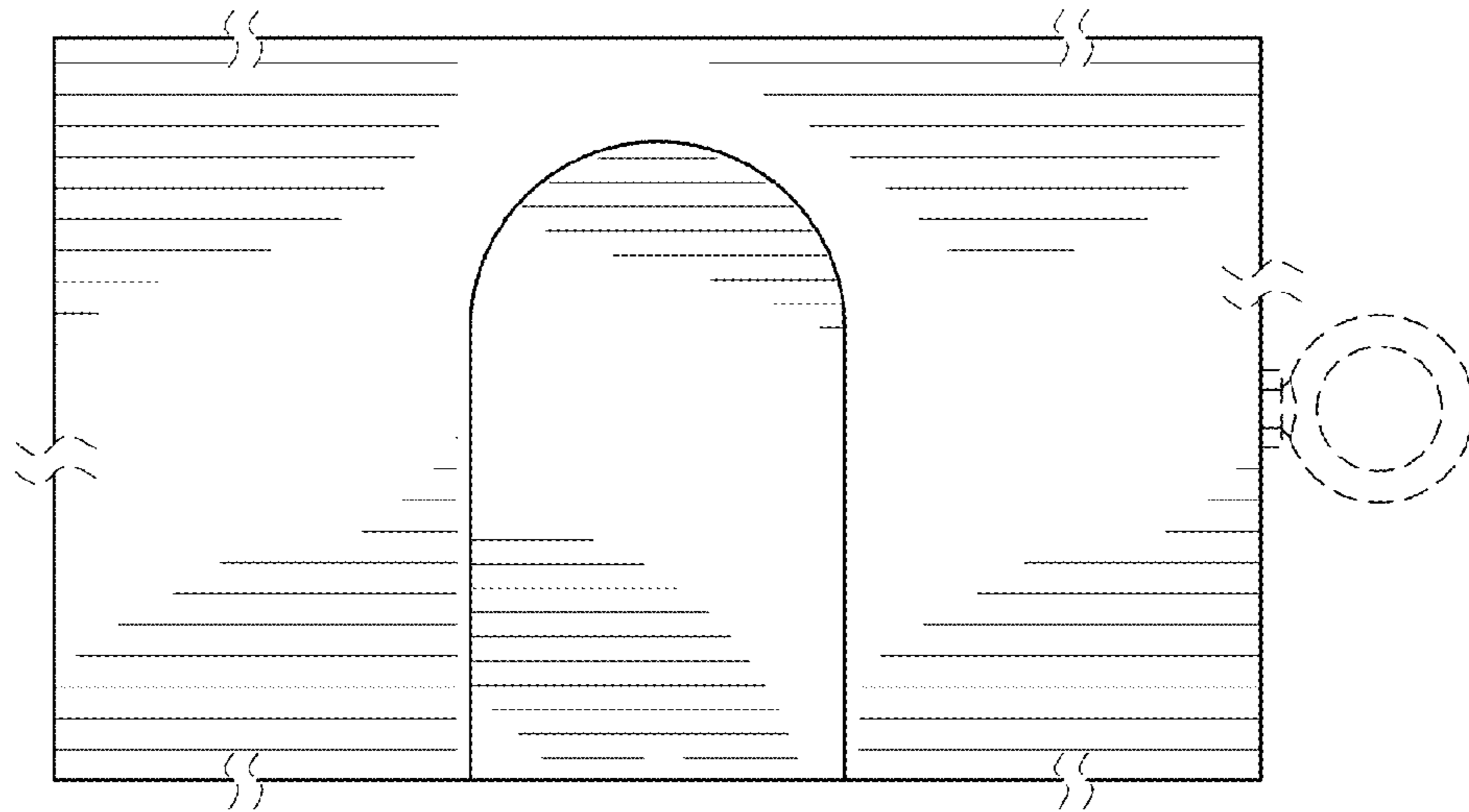


FIG. 19

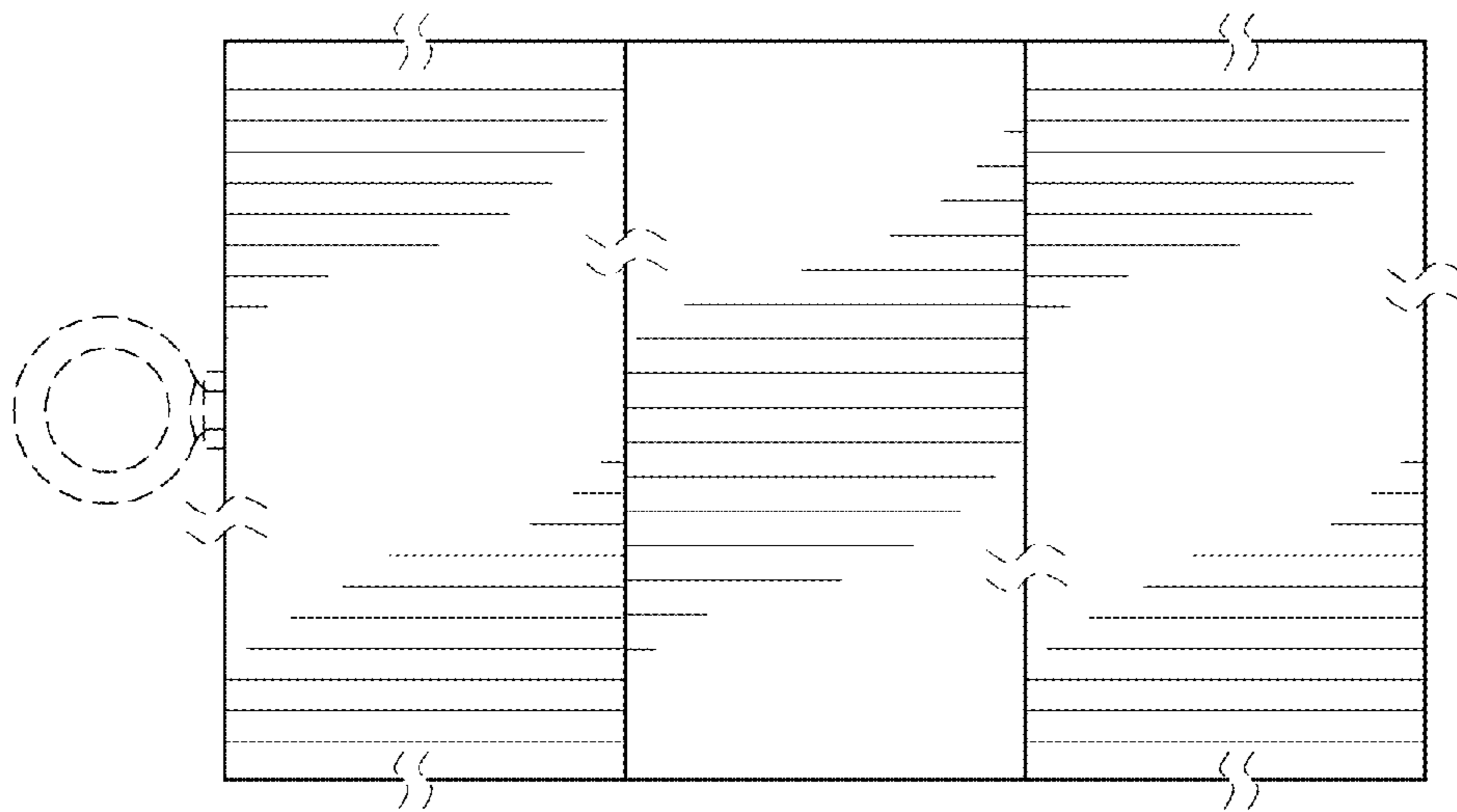


FIG. 20

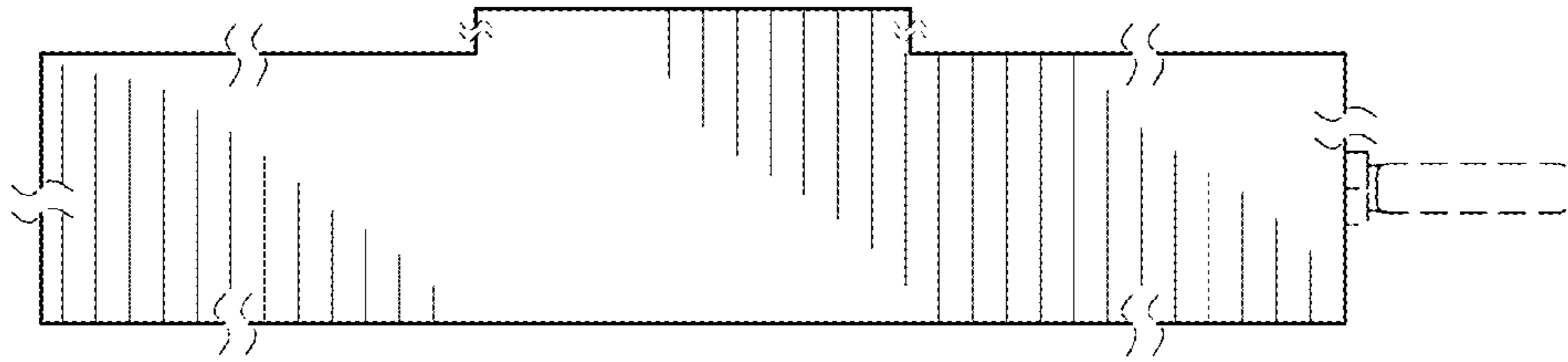


FIG. 21

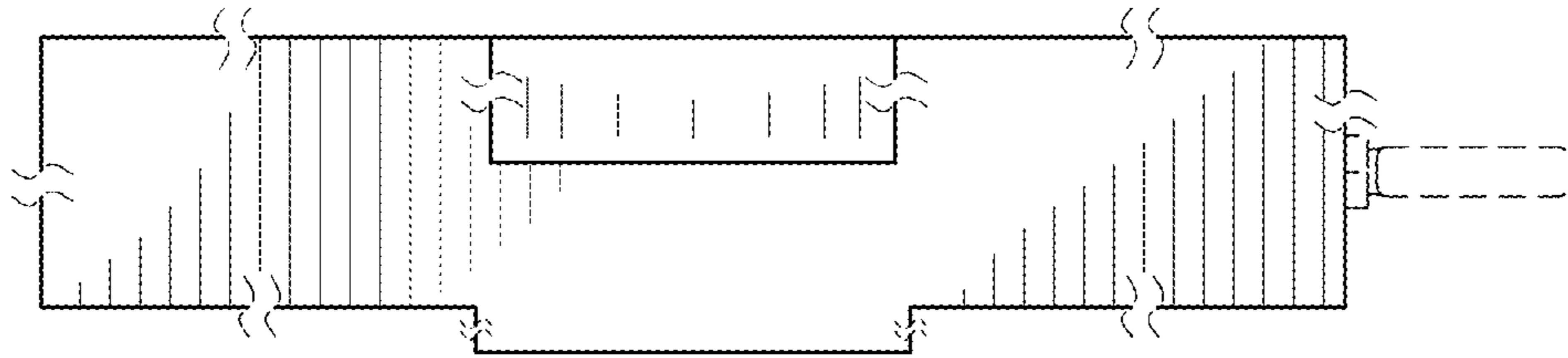


FIG. 22

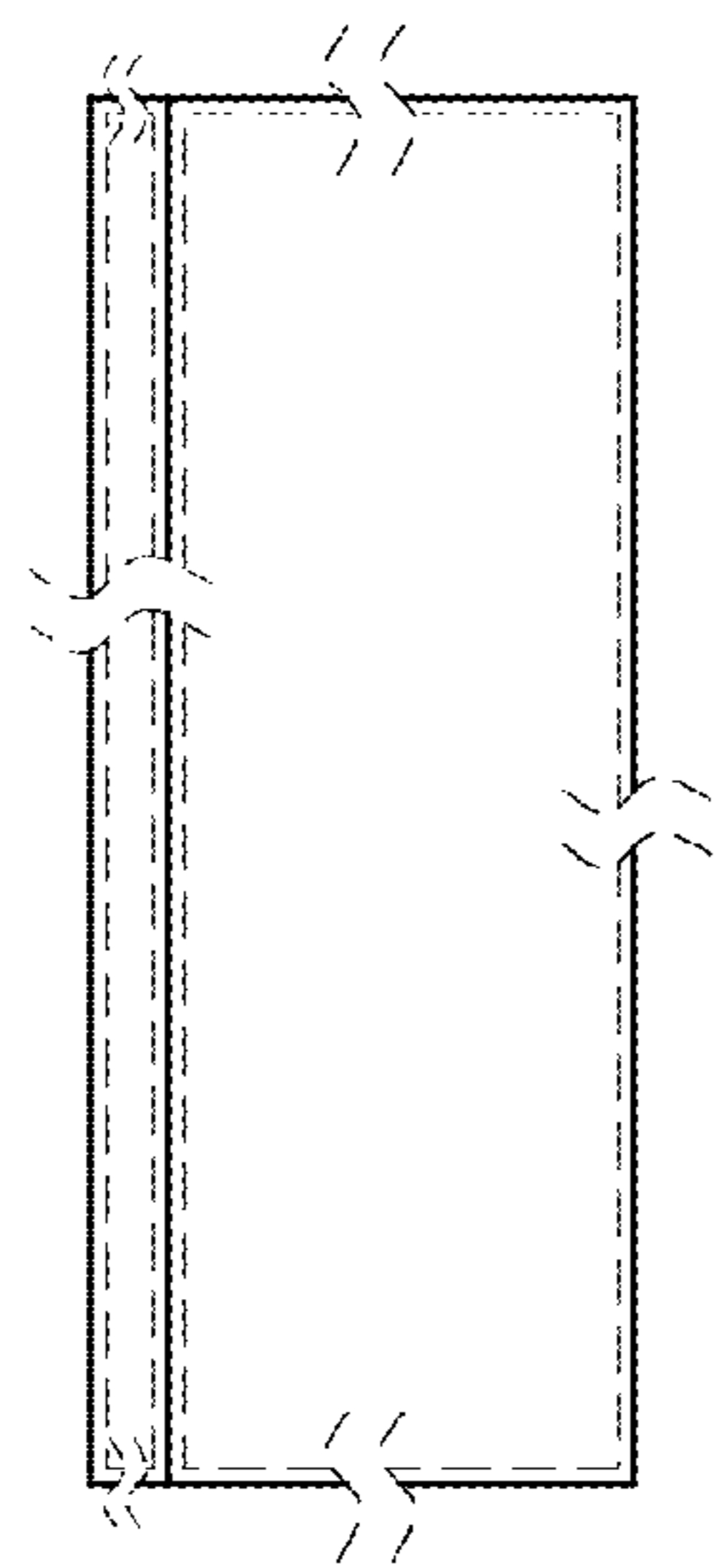


FIG. 23

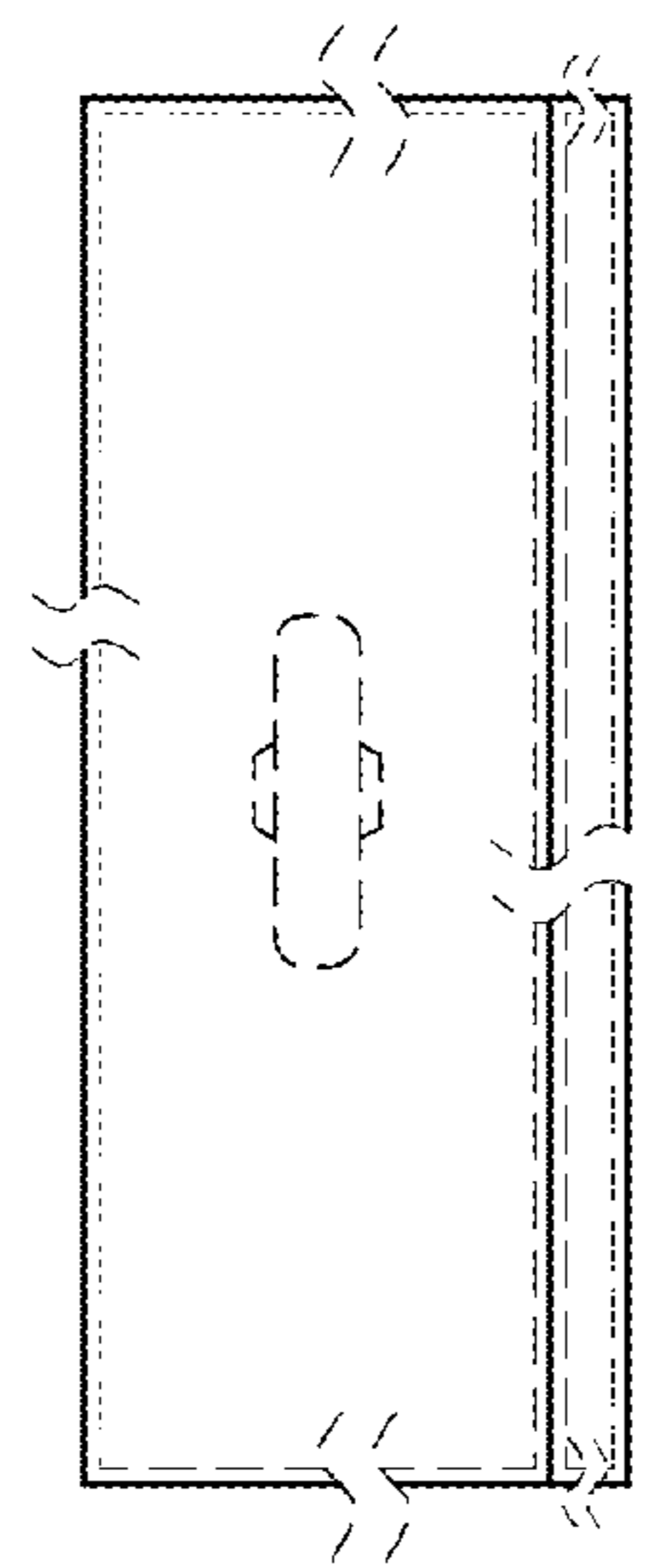


FIG. 24

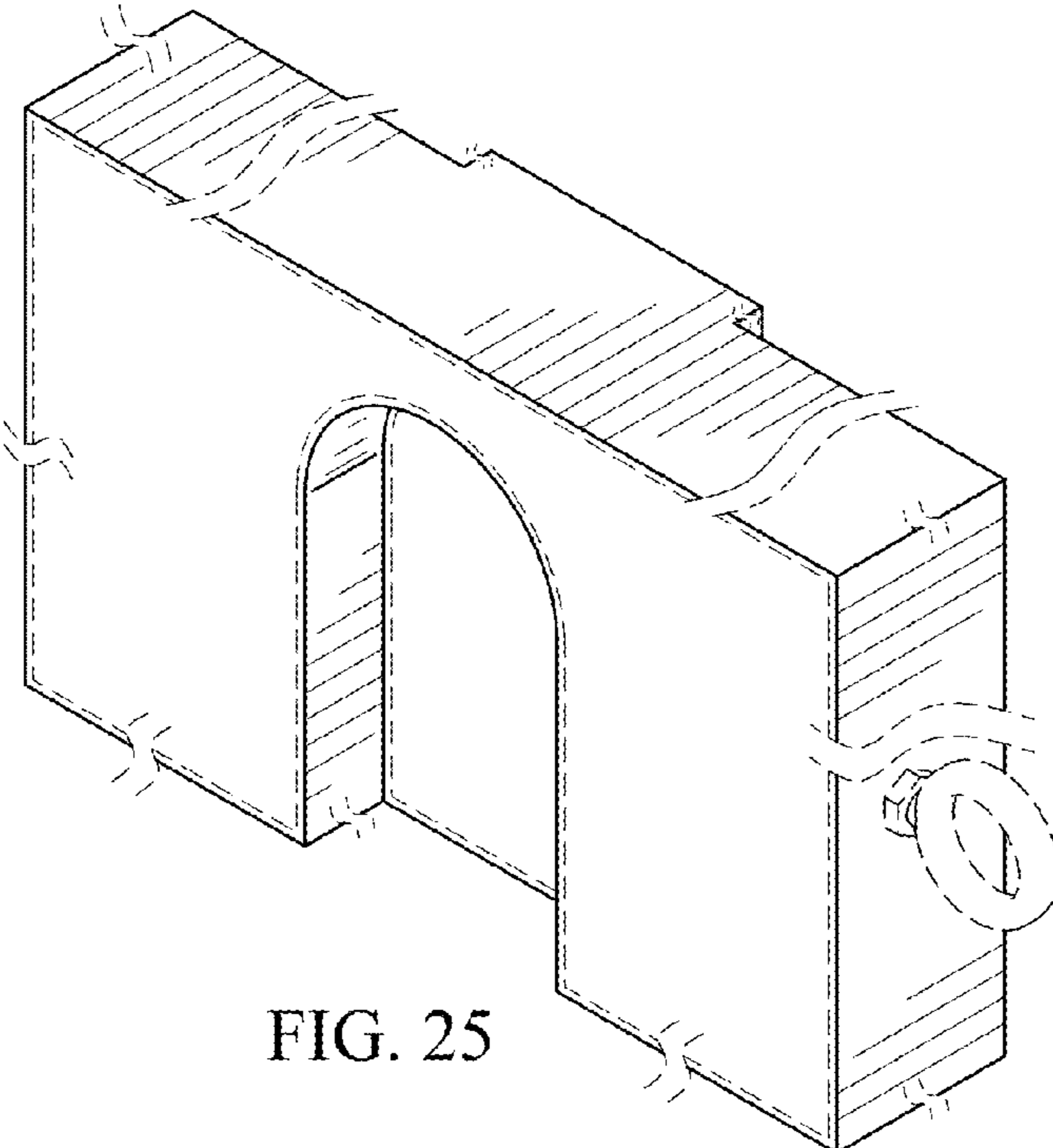


FIG. 25

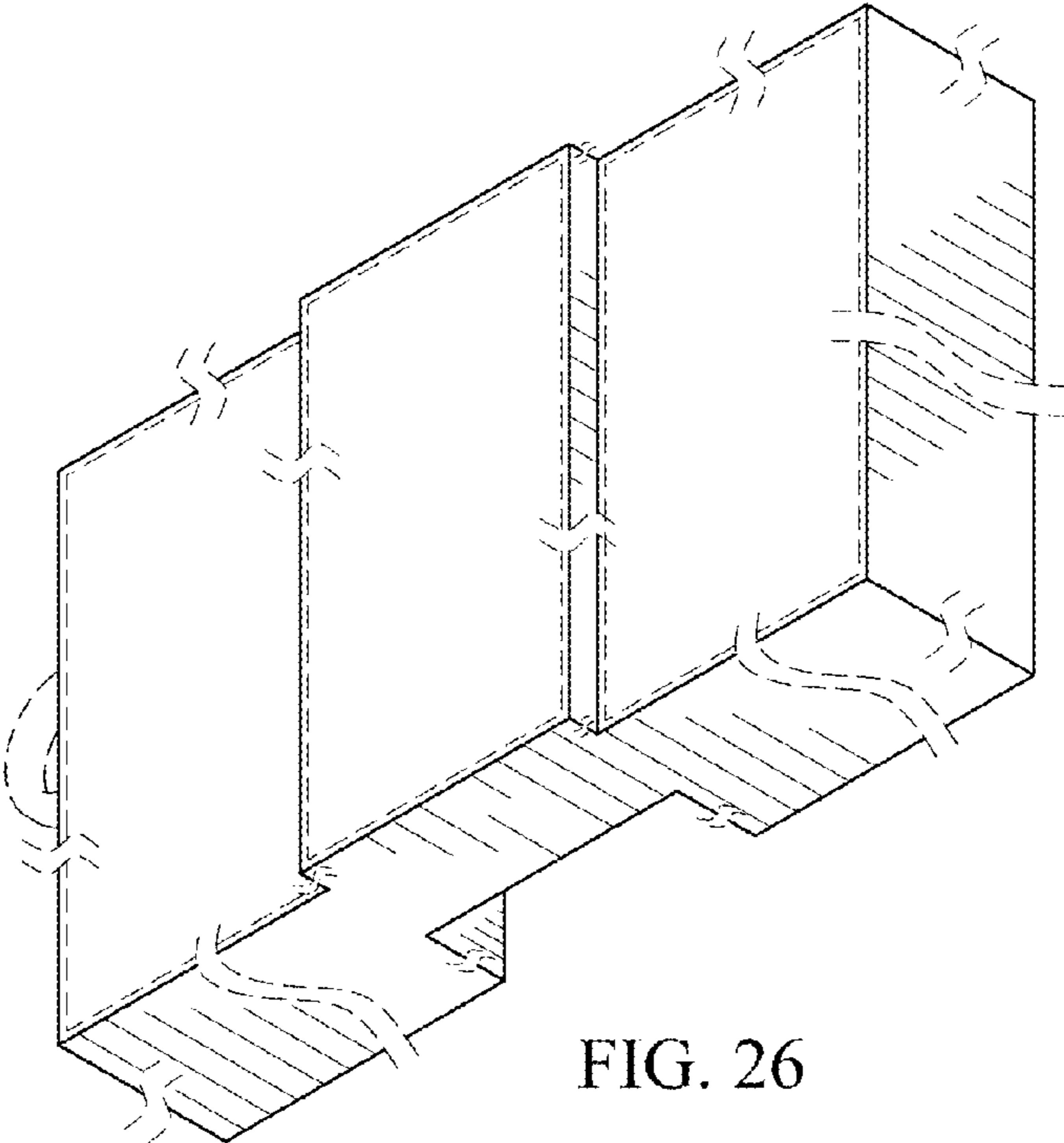


FIG. 26

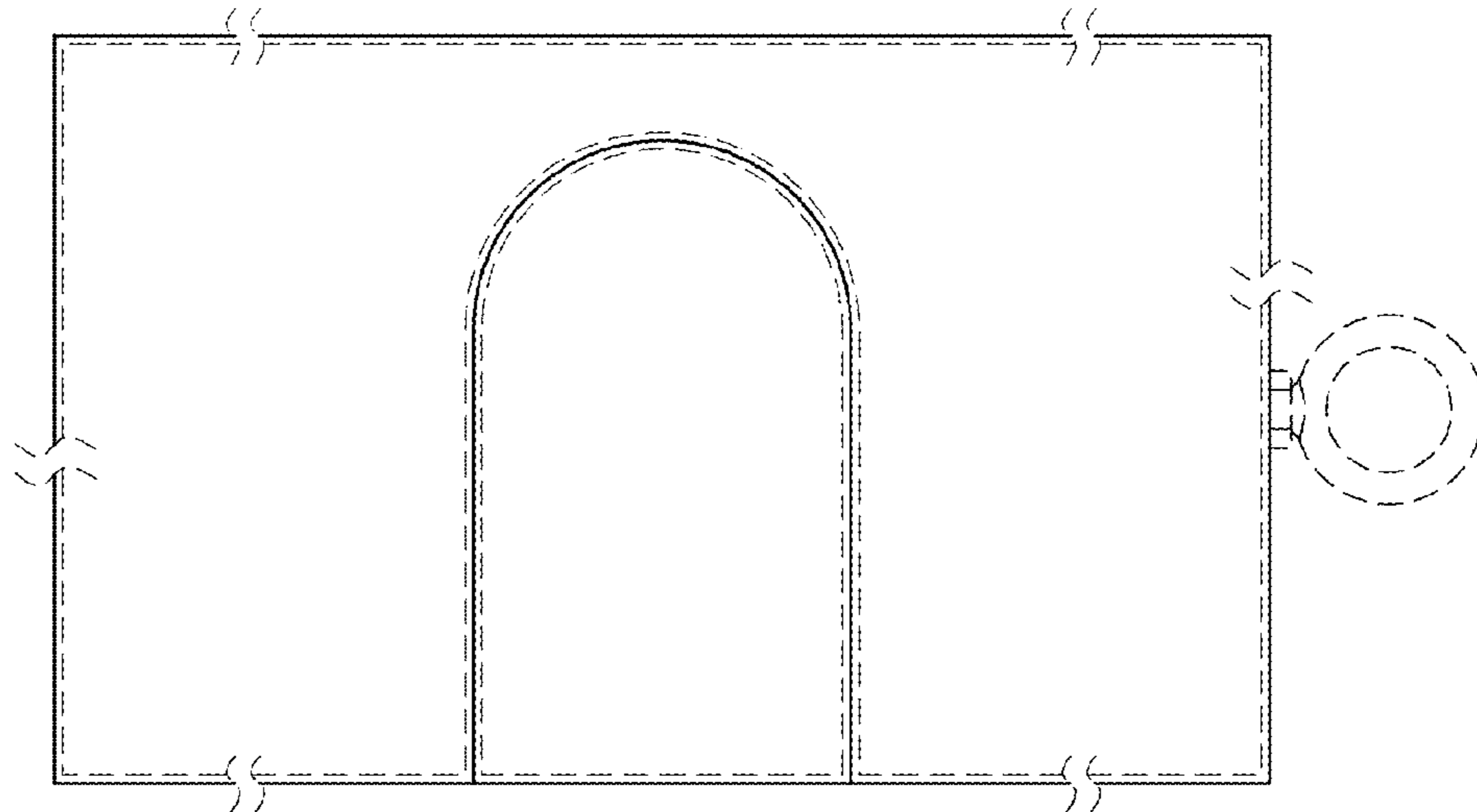


FIG. 27

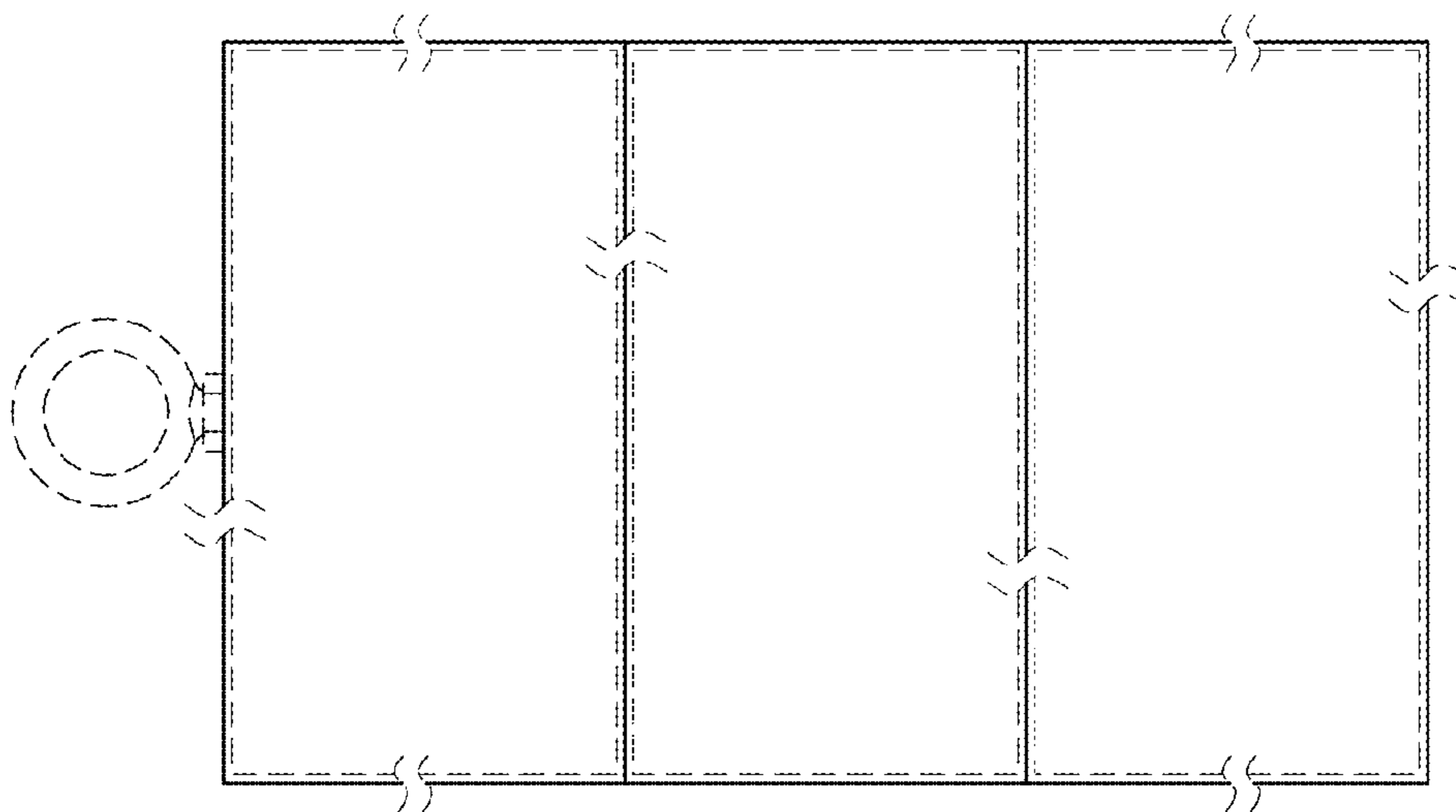


FIG. 28

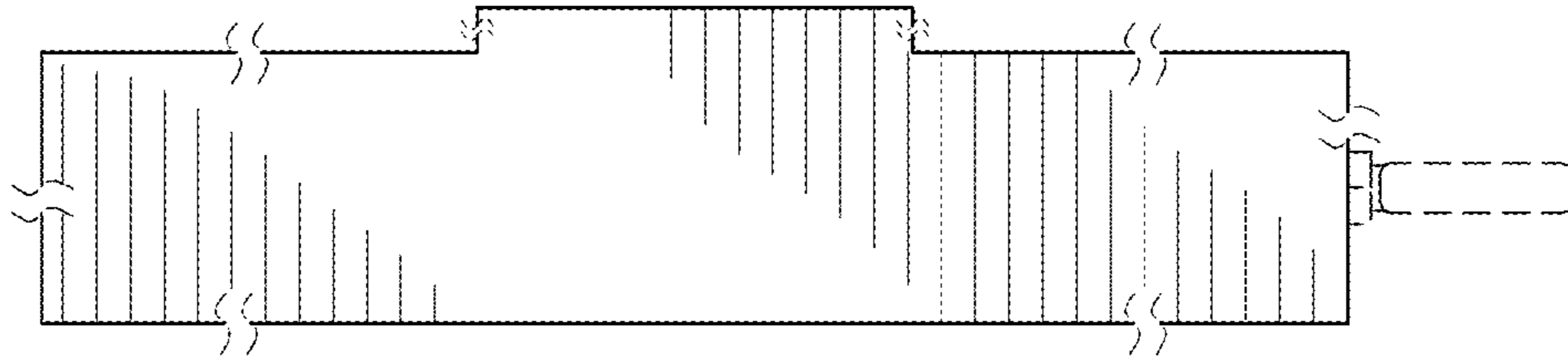


FIG. 29

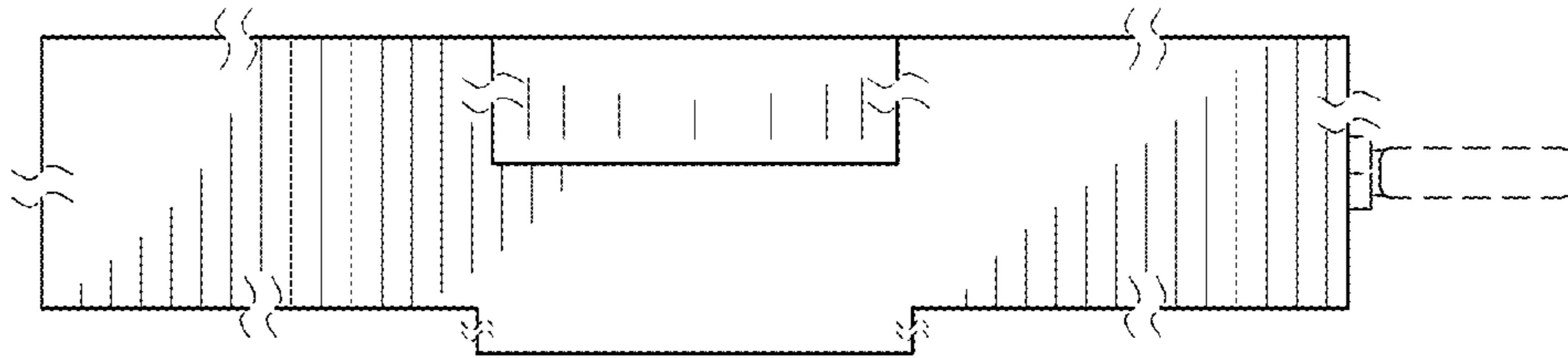


FIG. 30

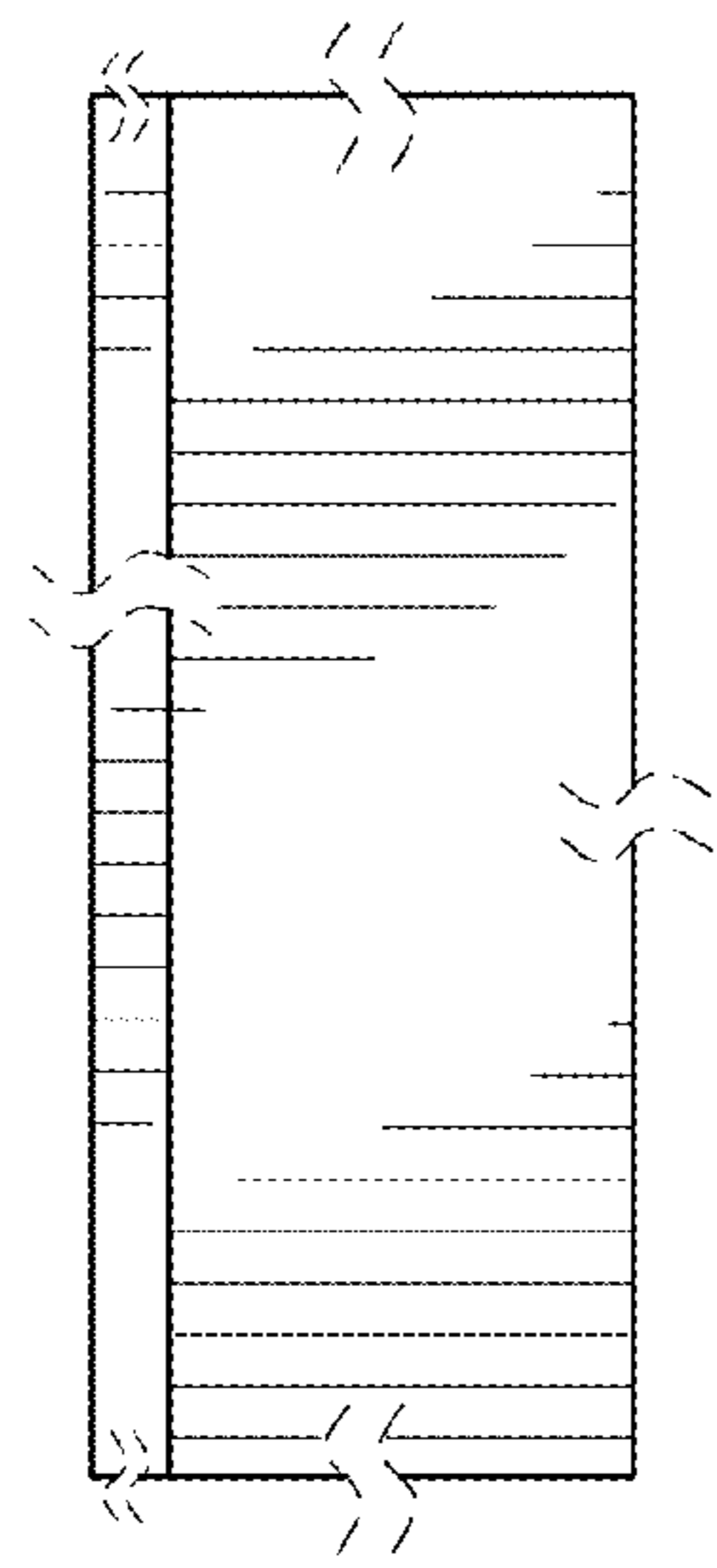


FIG. 31

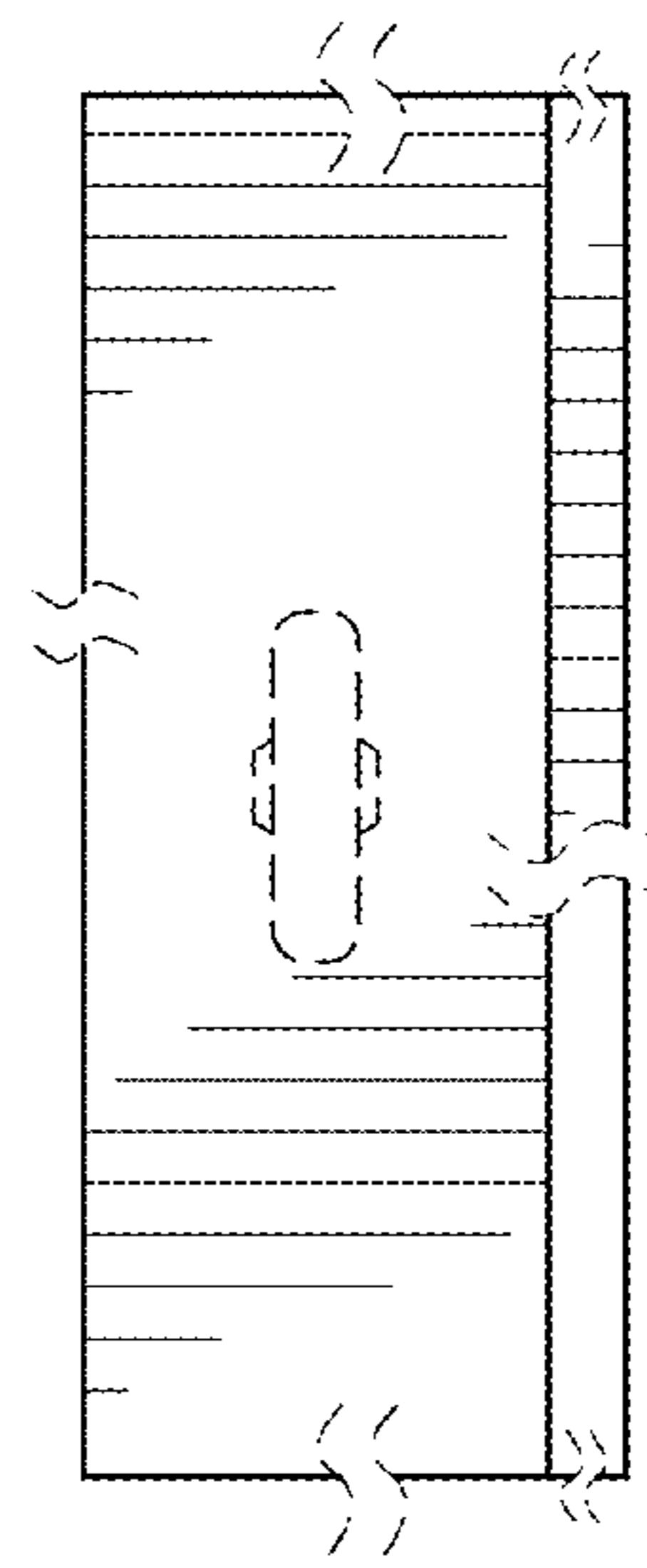


FIG. 32

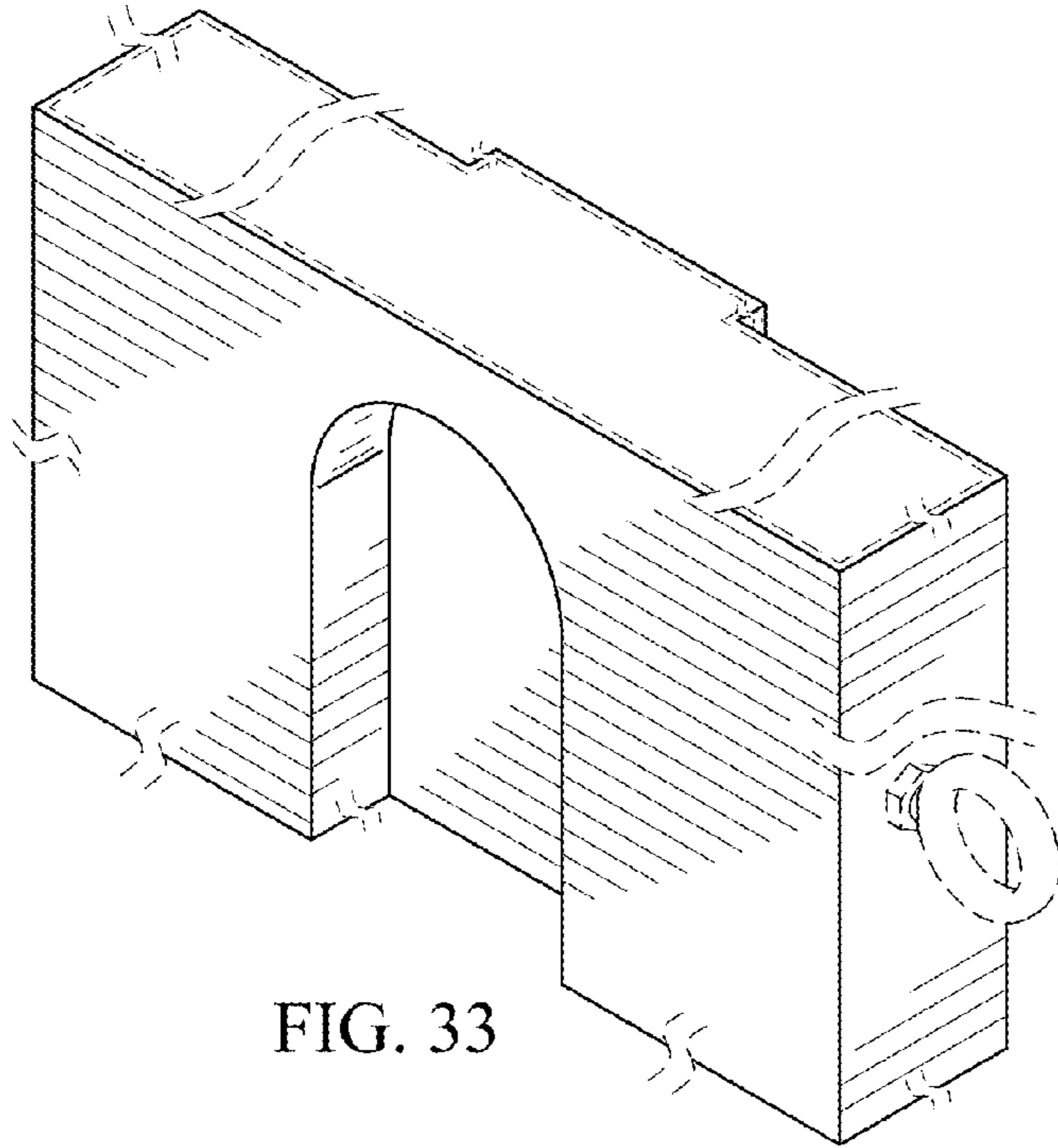


FIG. 33

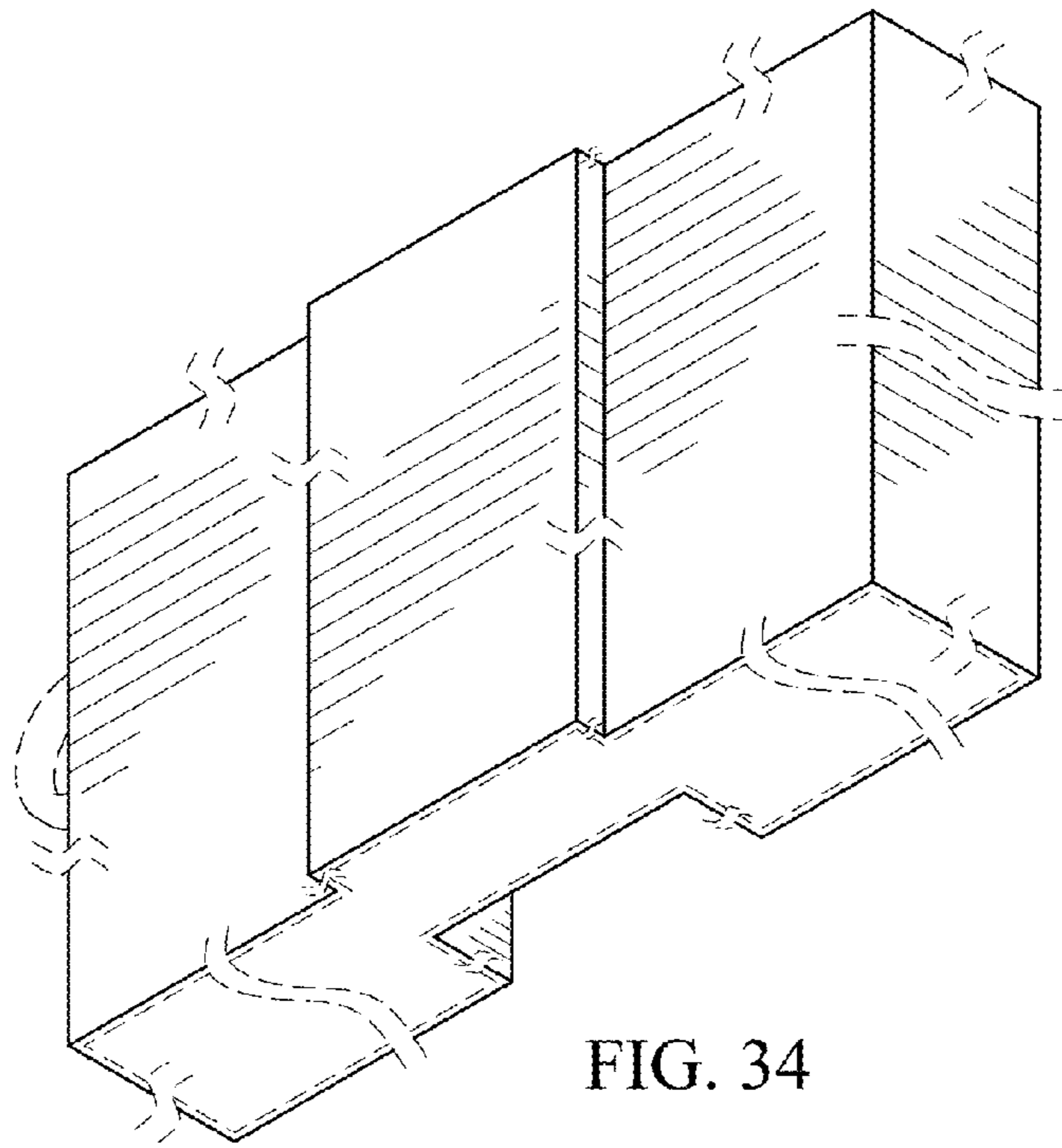


FIG. 34

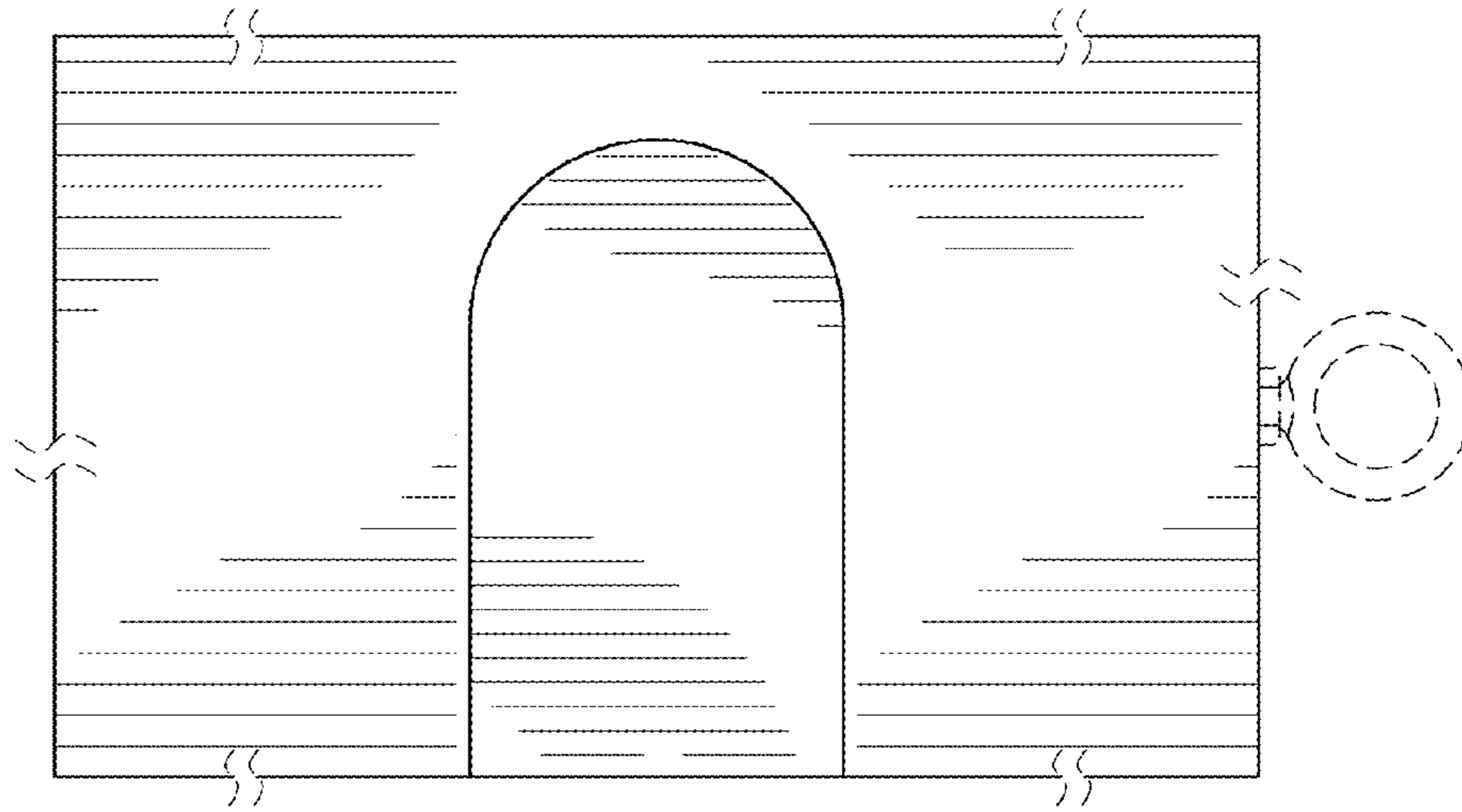


FIG. 35

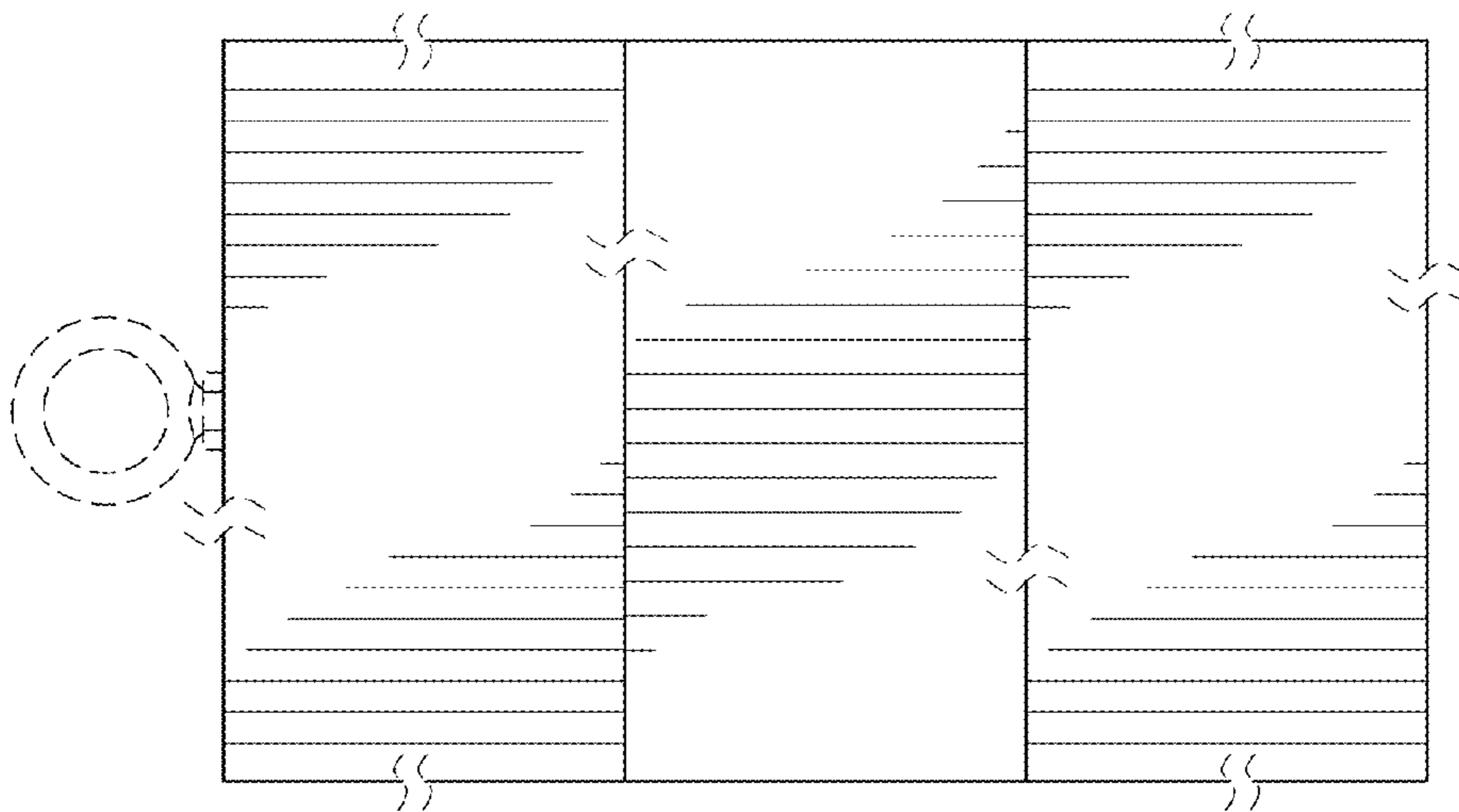


FIG. 36

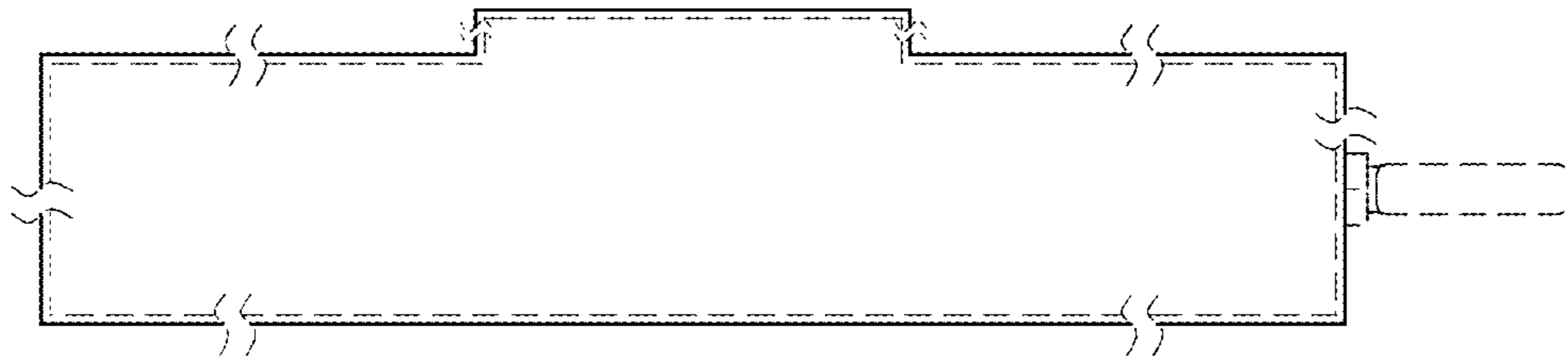


FIG. 37

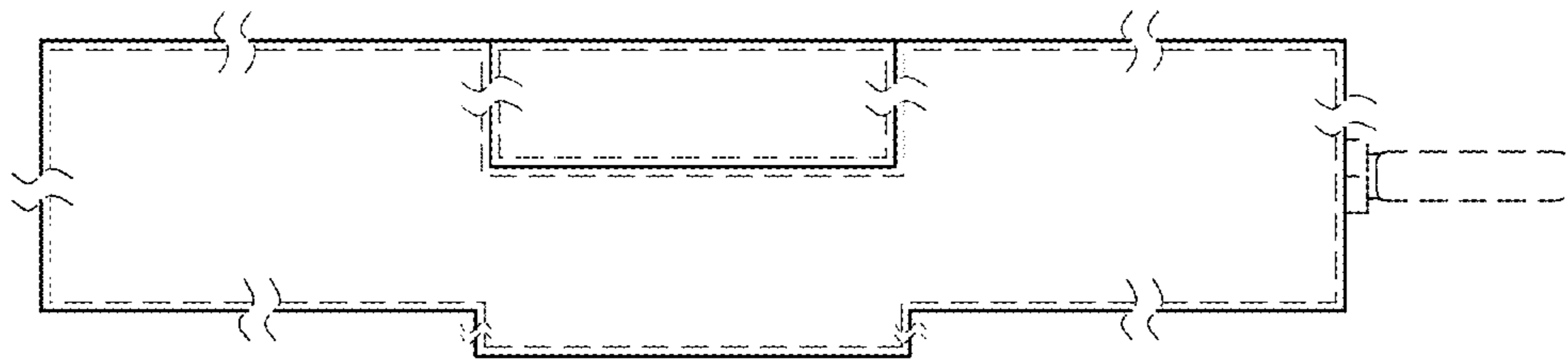


FIG. 38

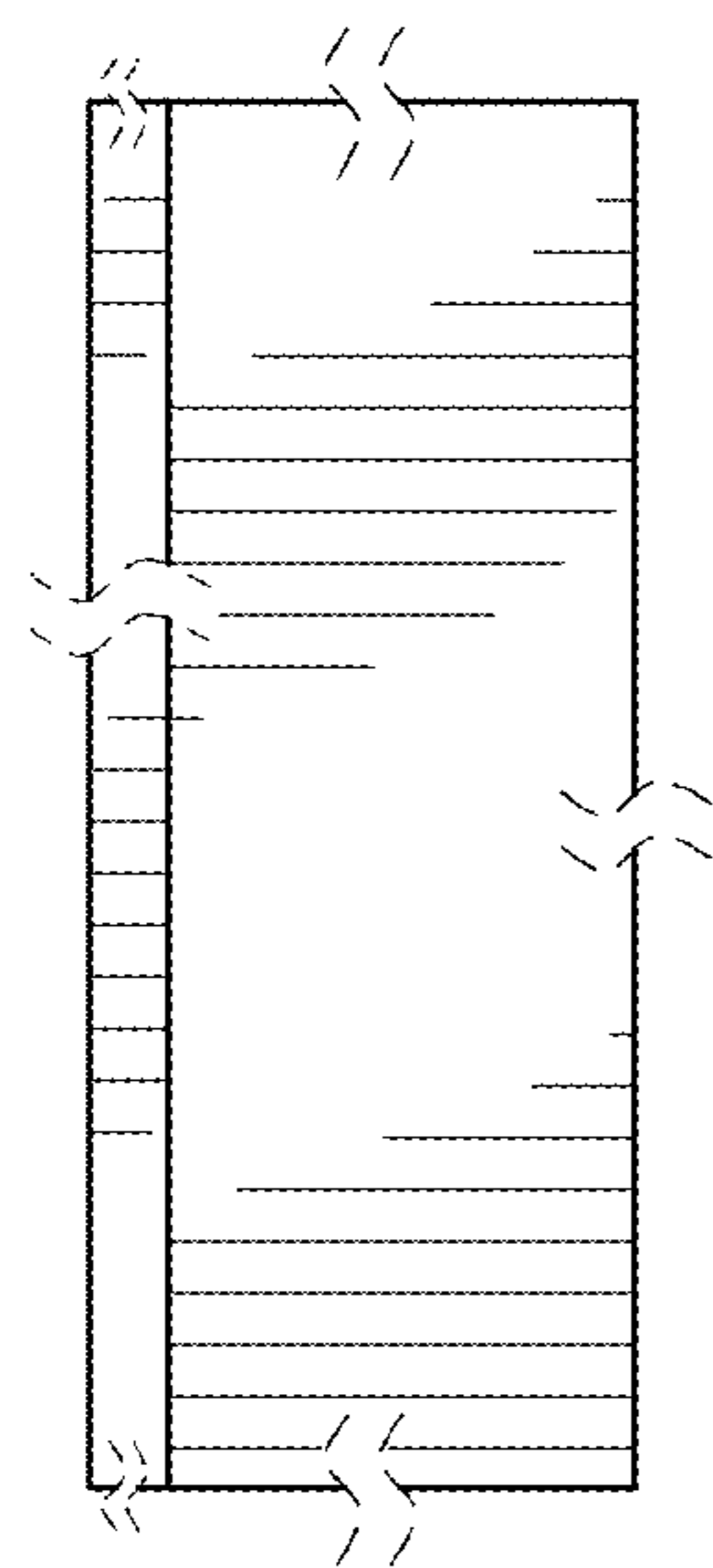


FIG. 39

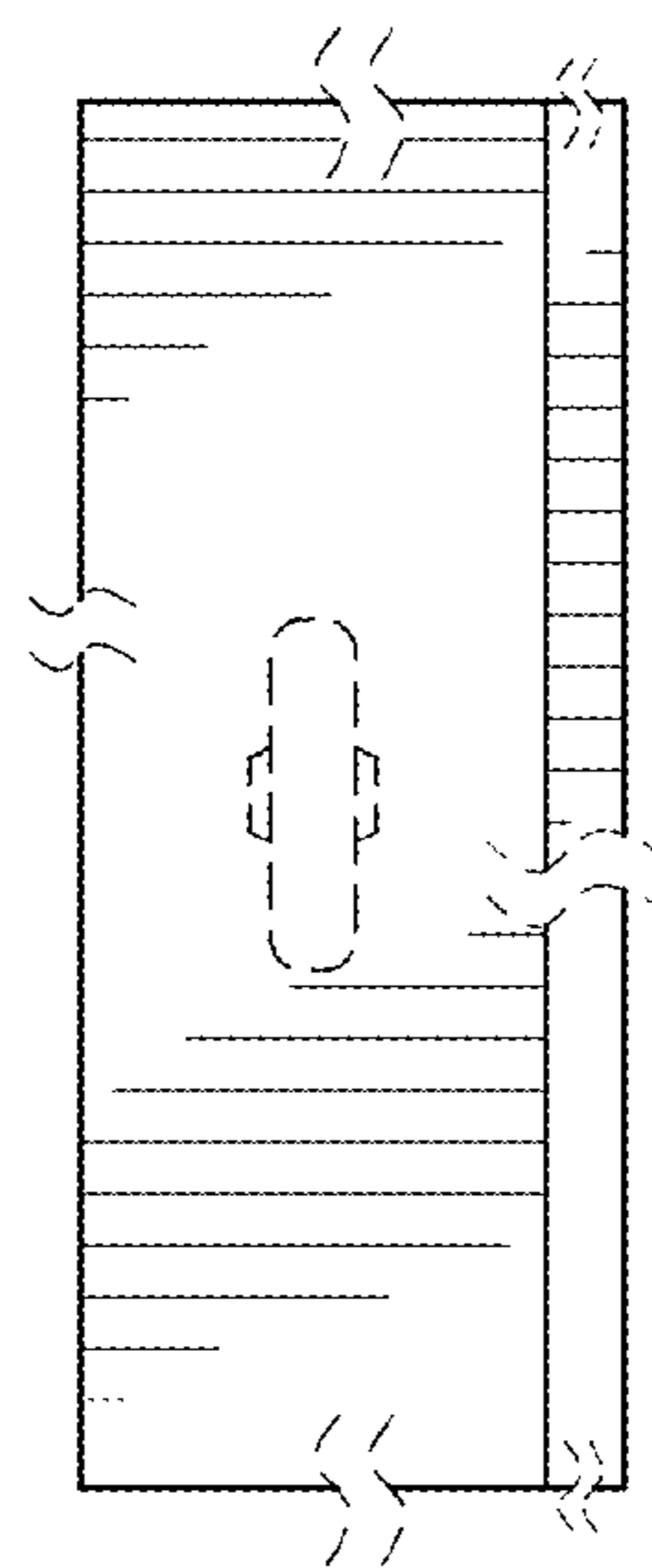


FIG. 40

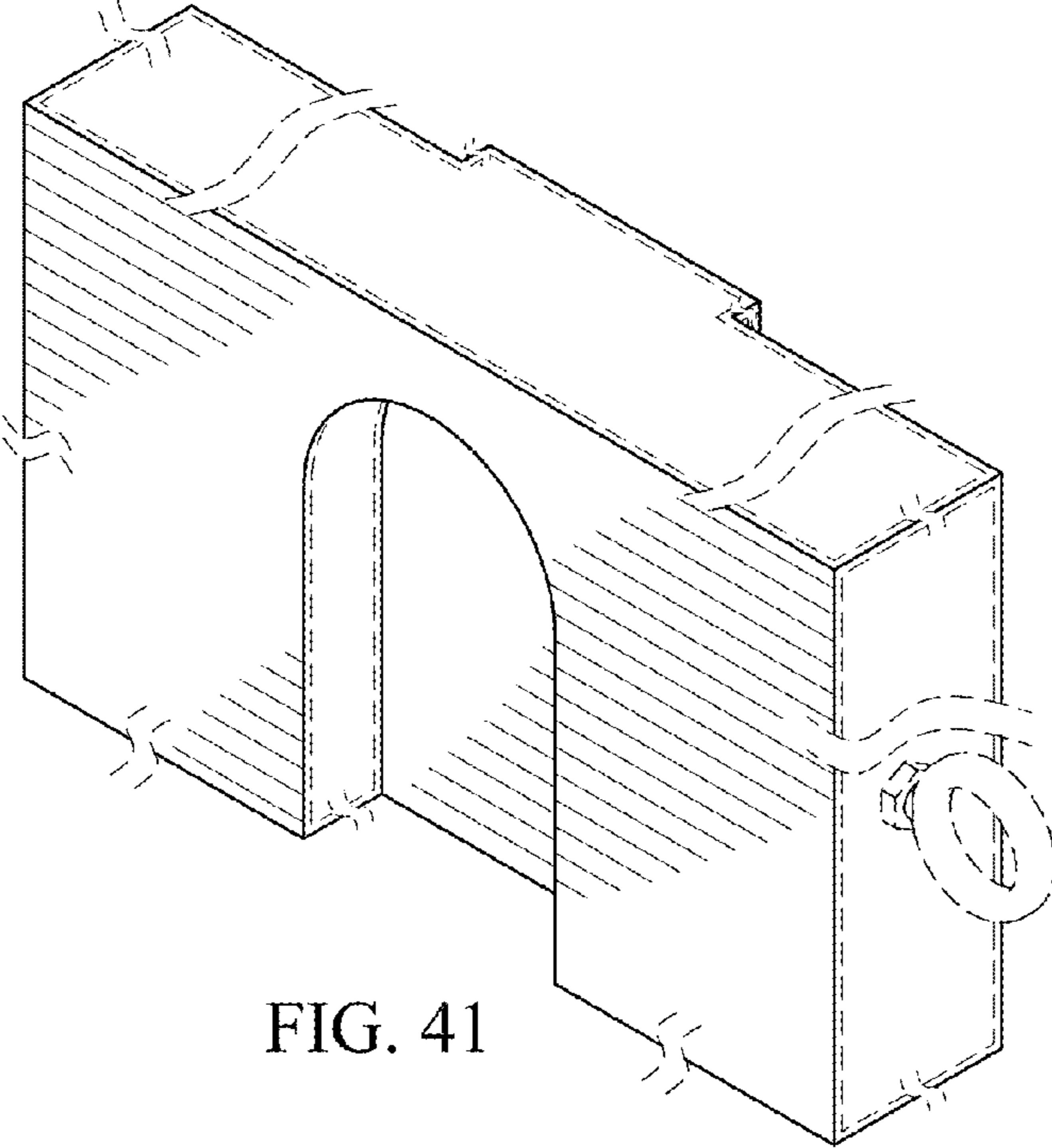


FIG. 41

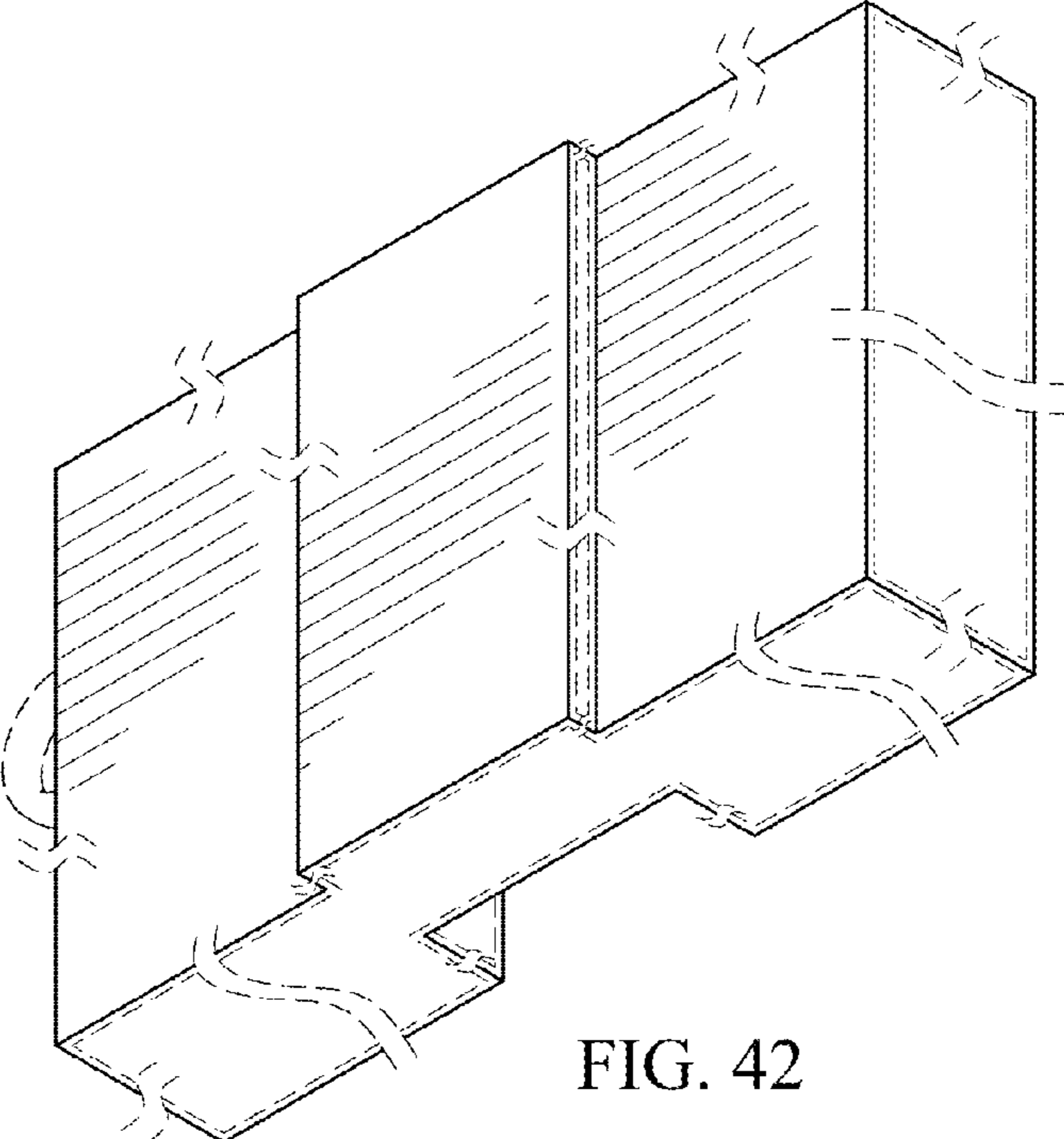


FIG. 42

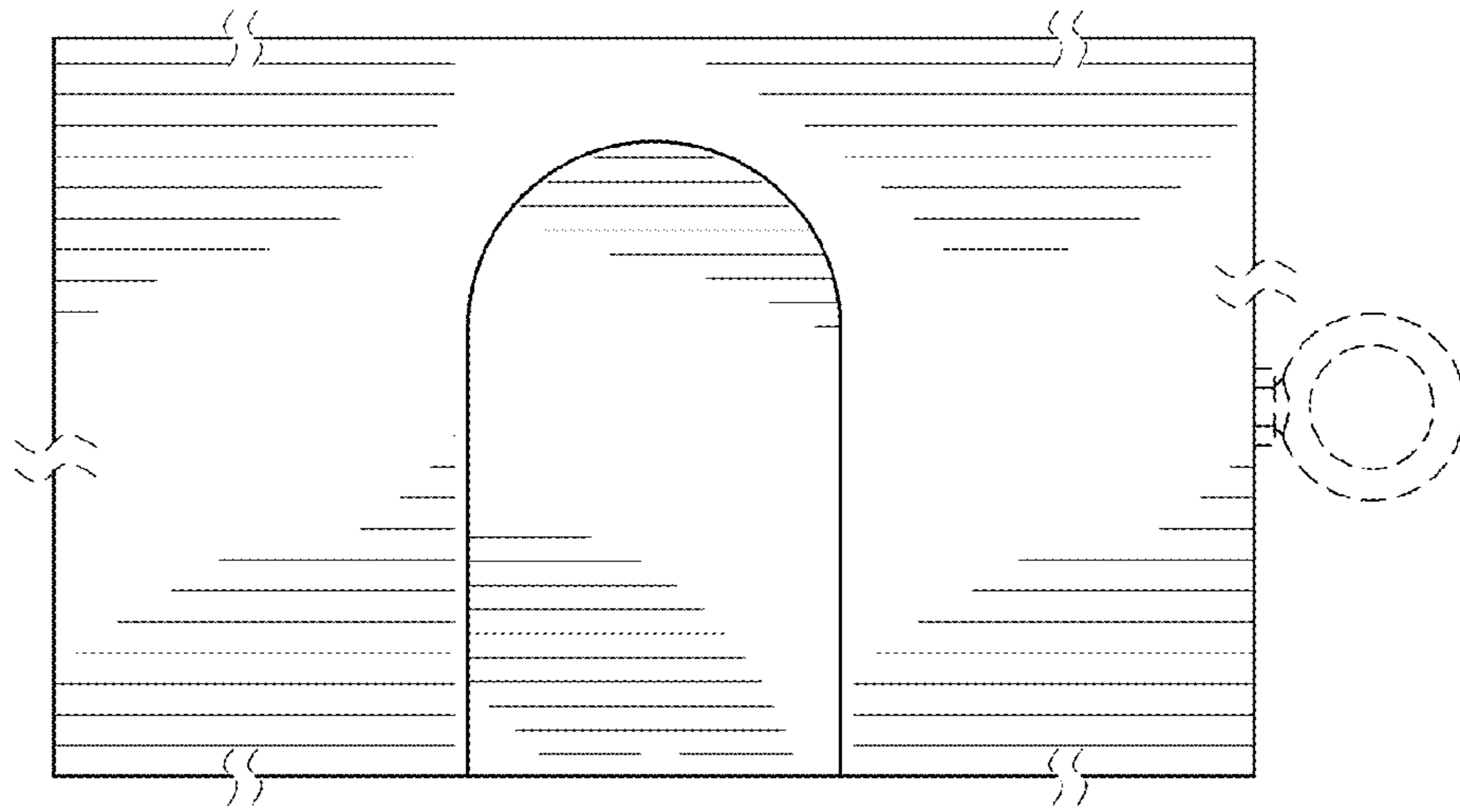


FIG. 43

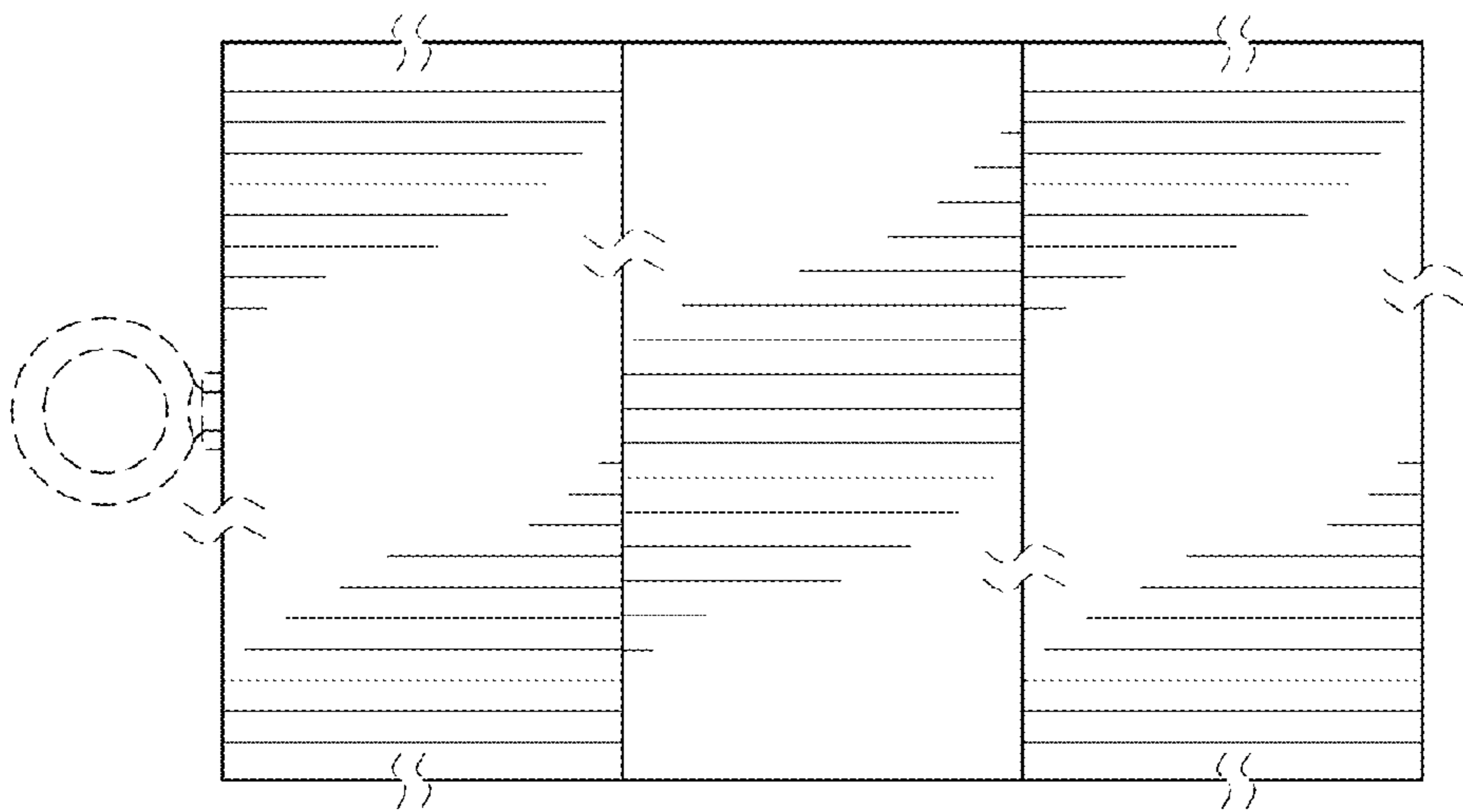


FIG. 44

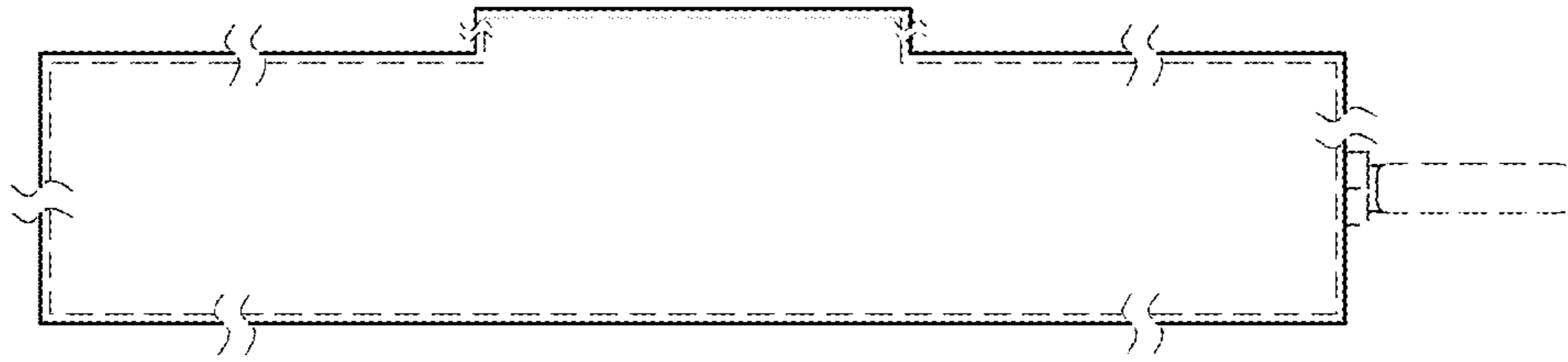


FIG. 45

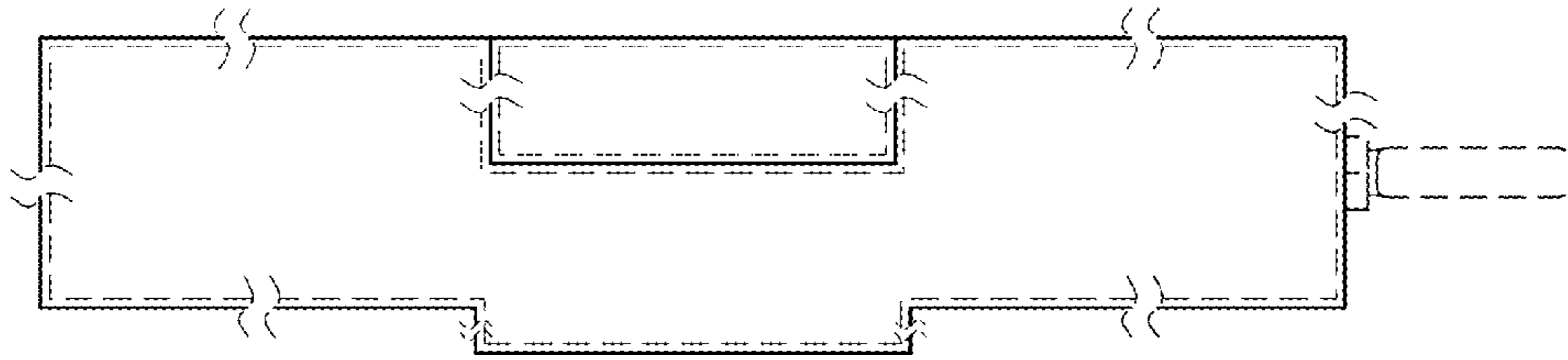


FIG. 46

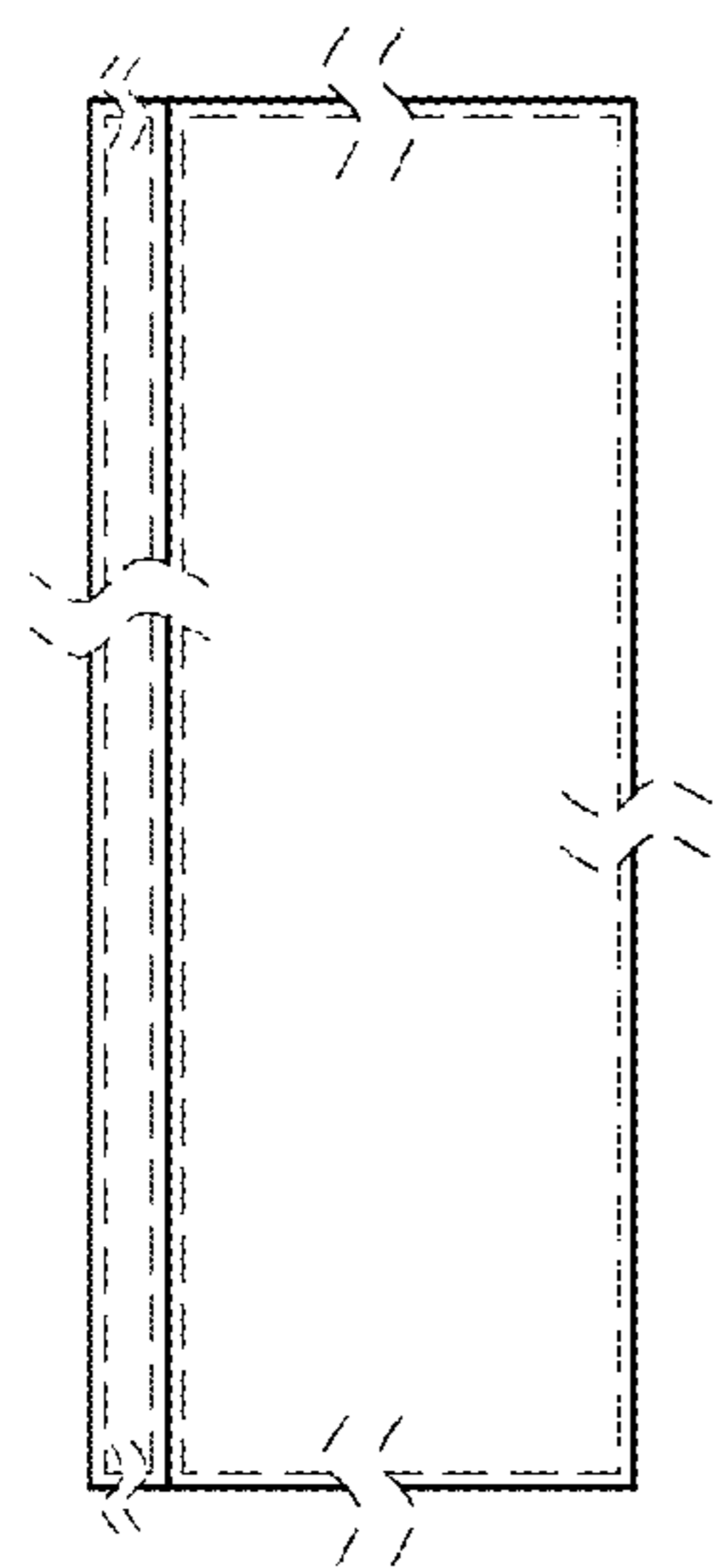


FIG. 47

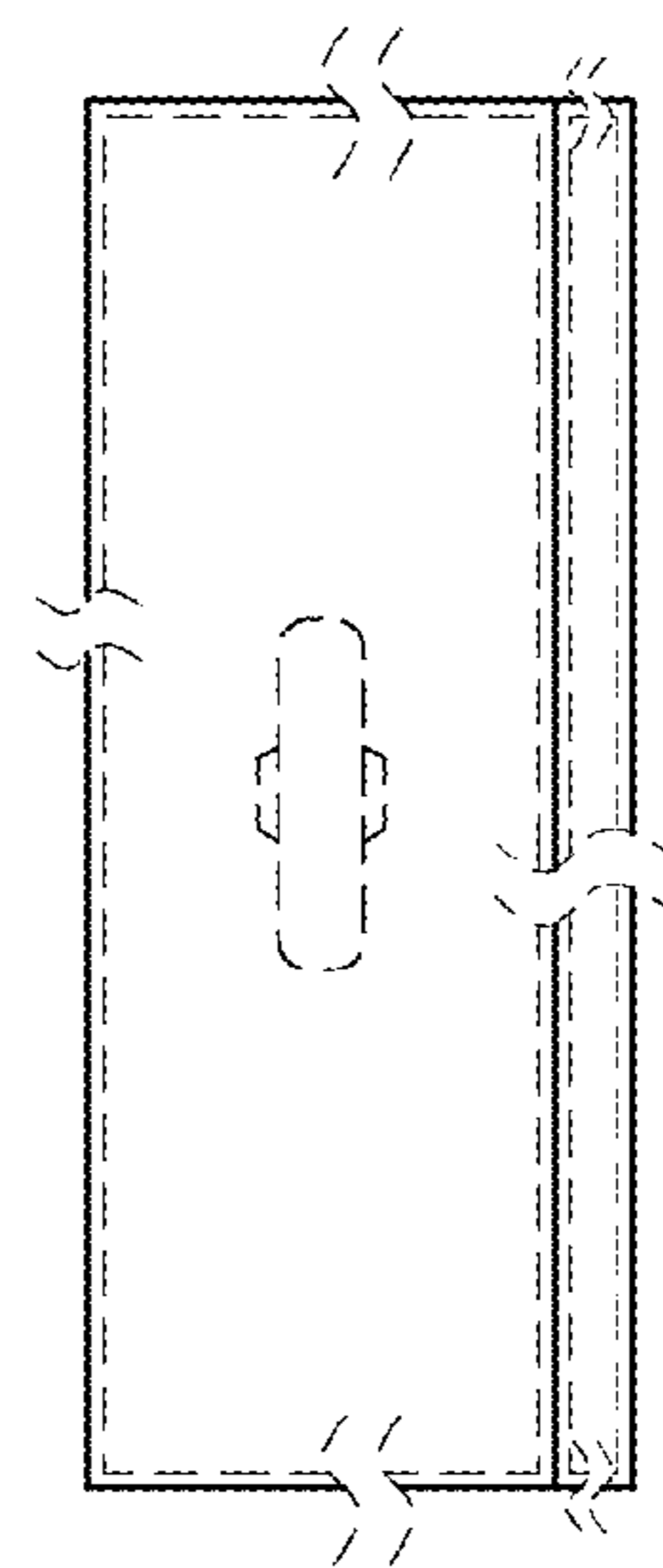


FIG. 48

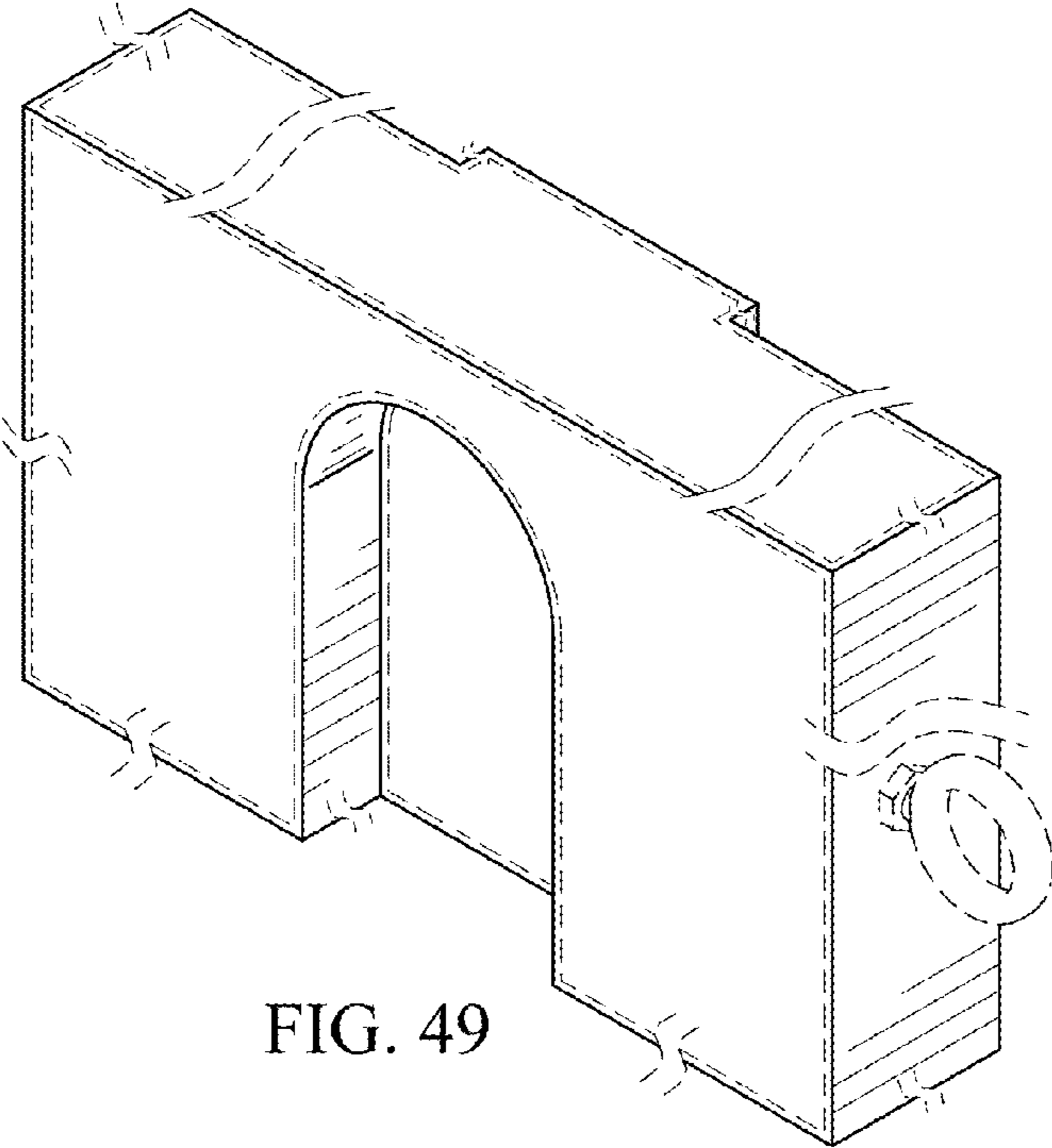


FIG. 49

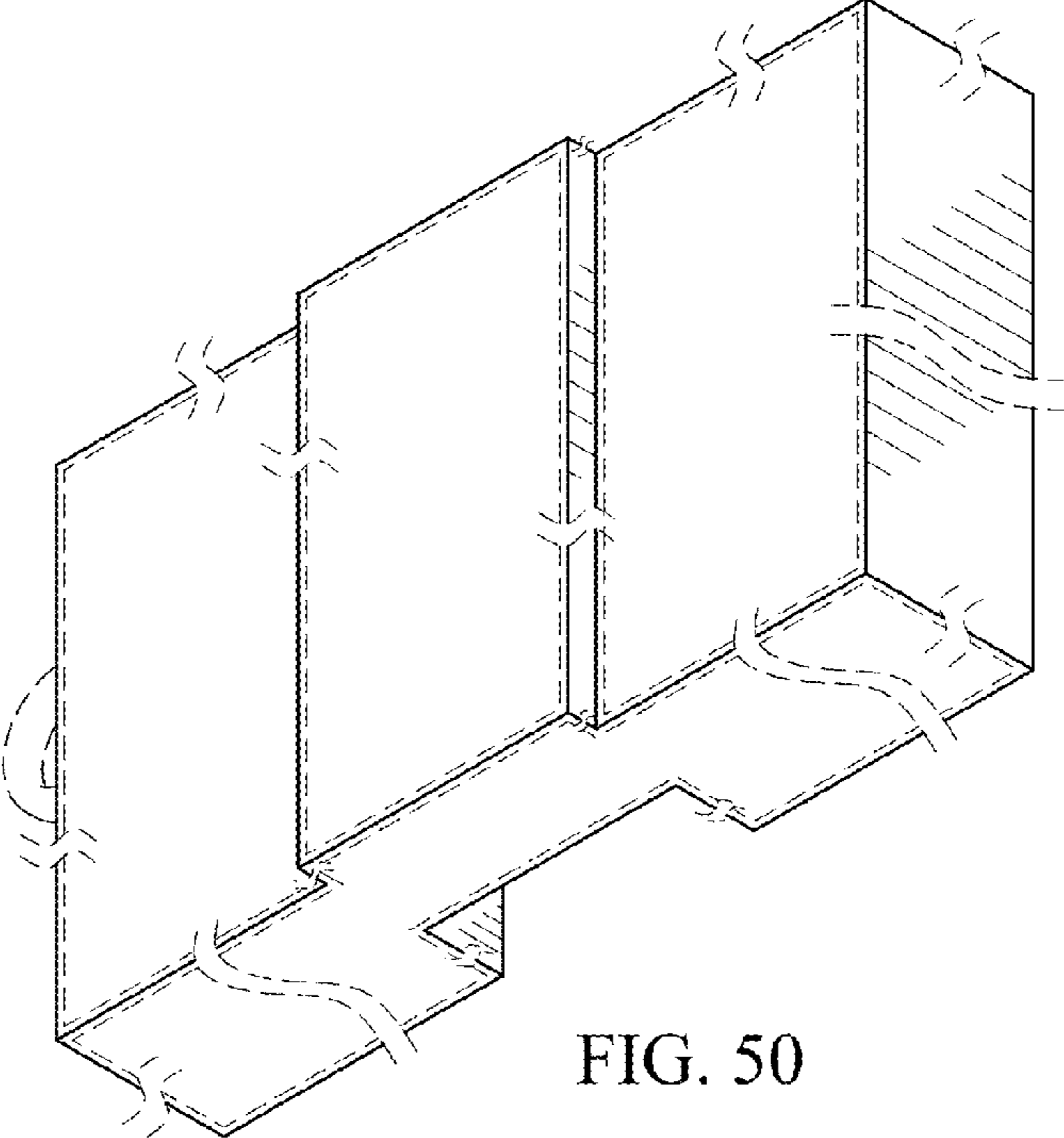


FIG. 50

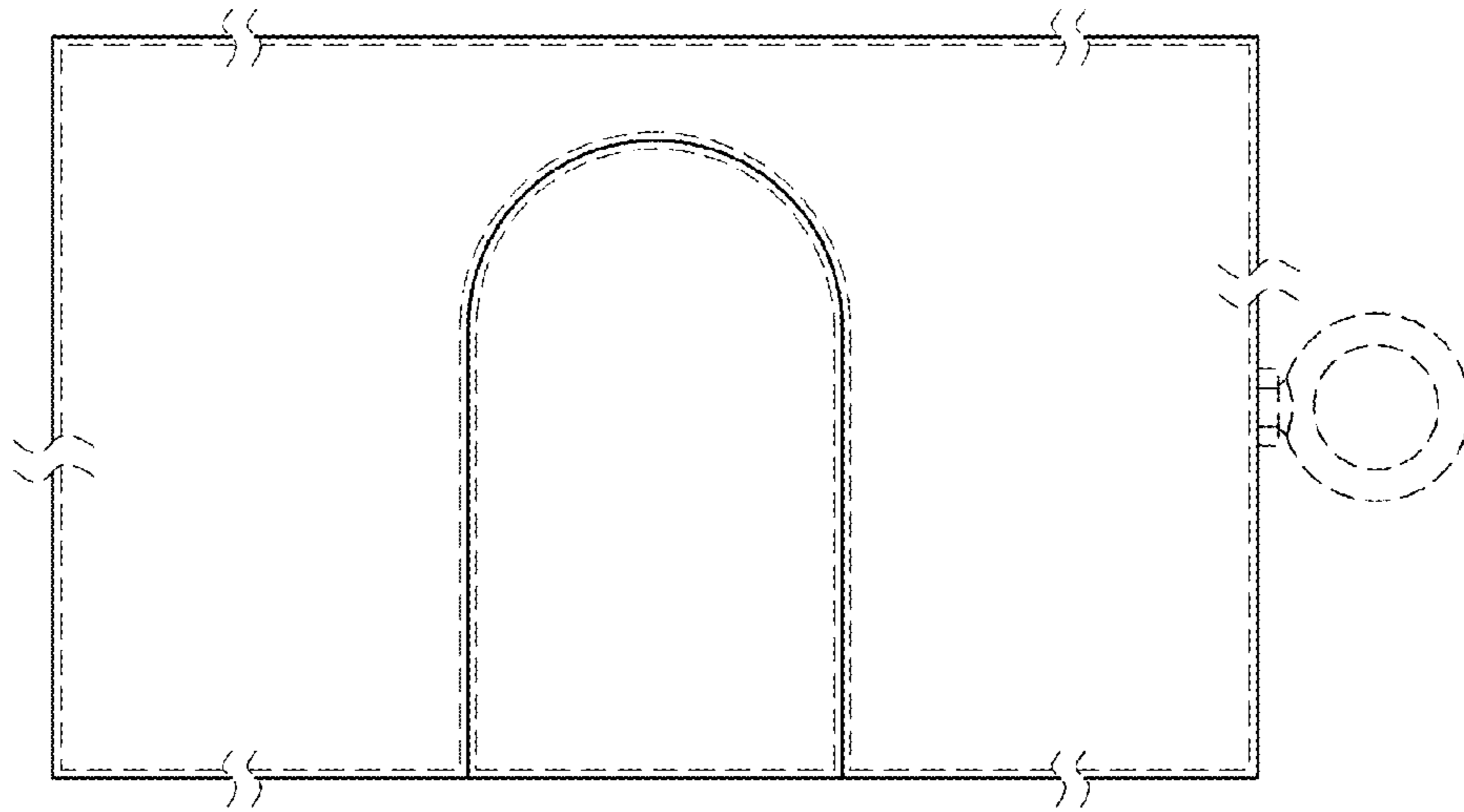


FIG. 51

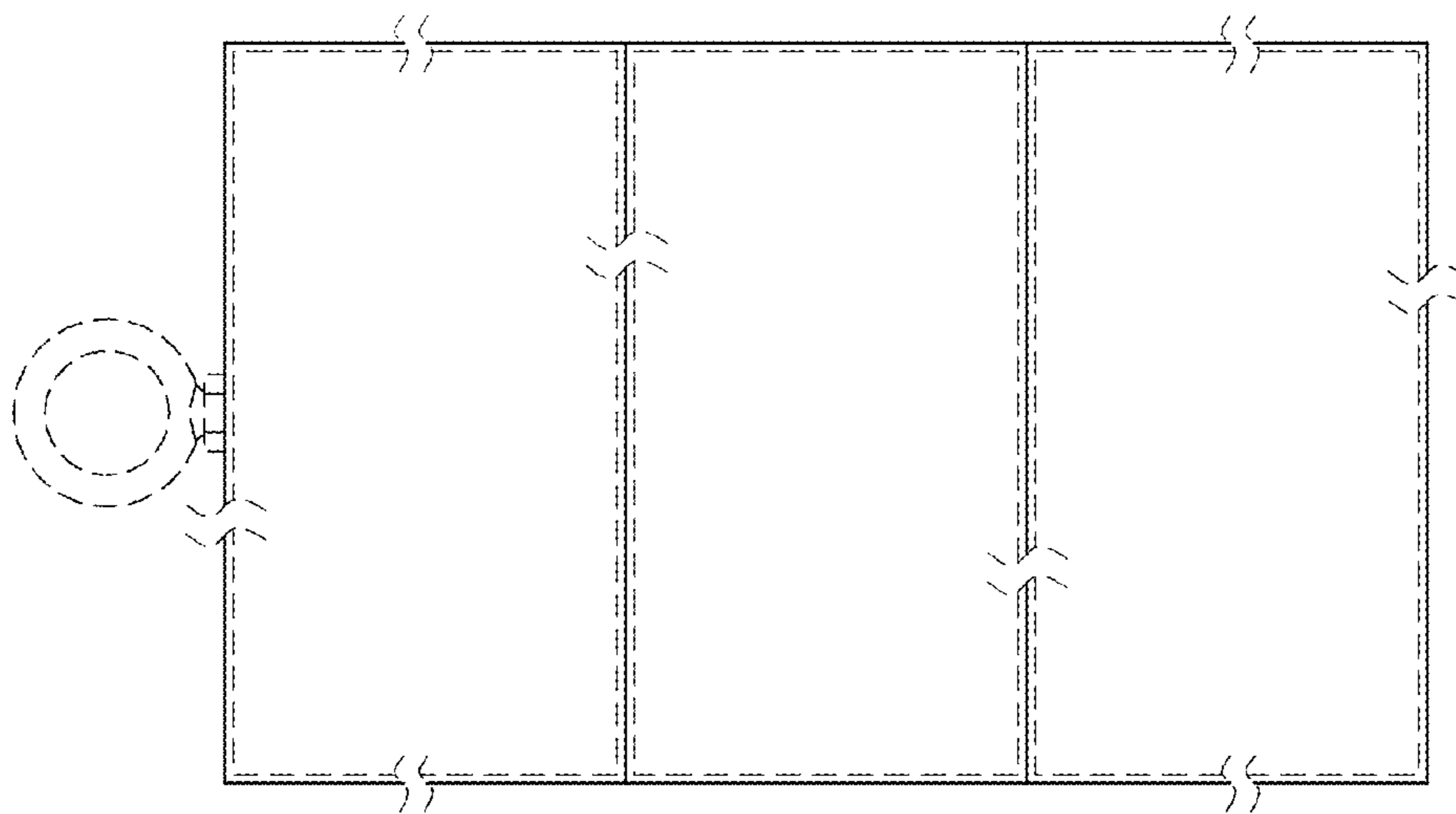


FIG. 52

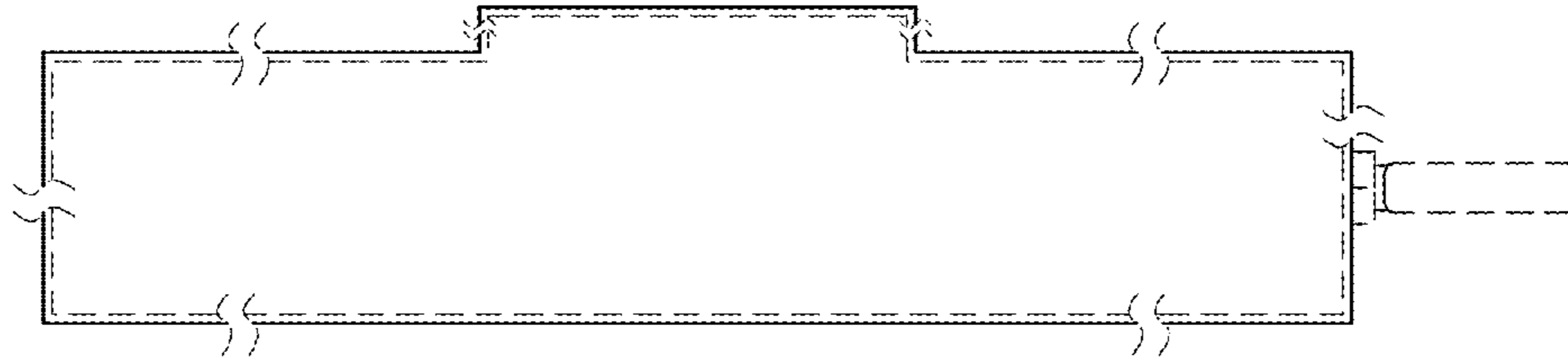


FIG. 53

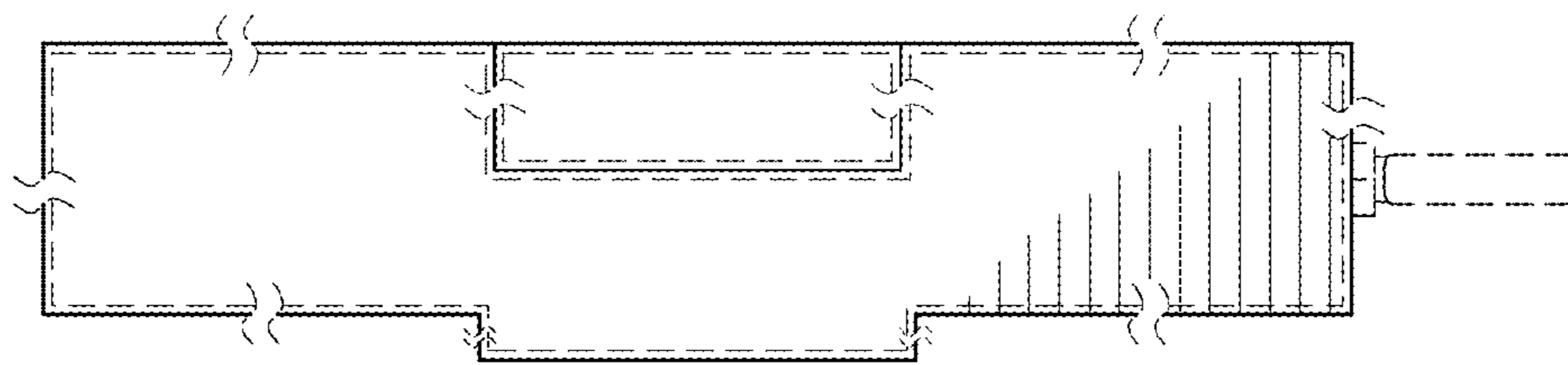


FIG. 54

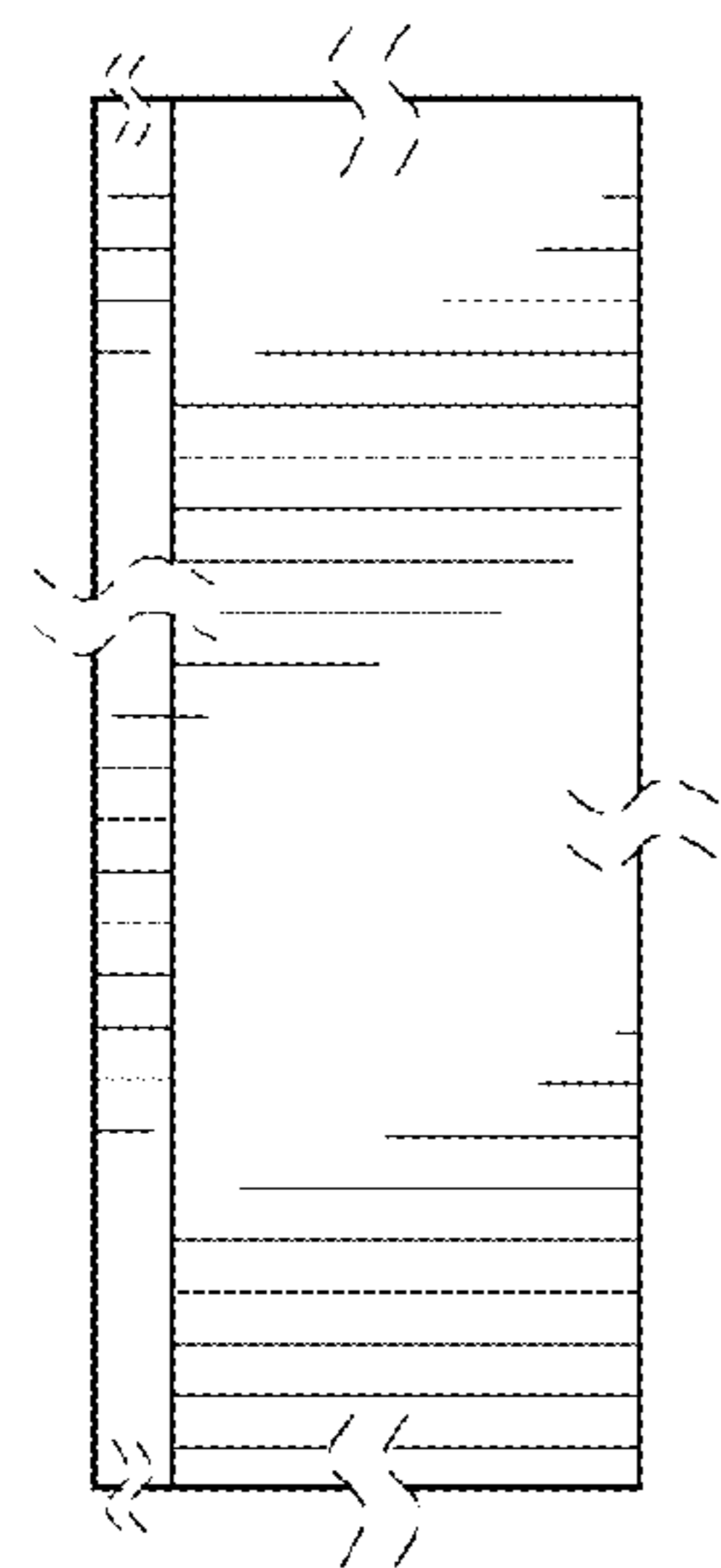


FIG. 55

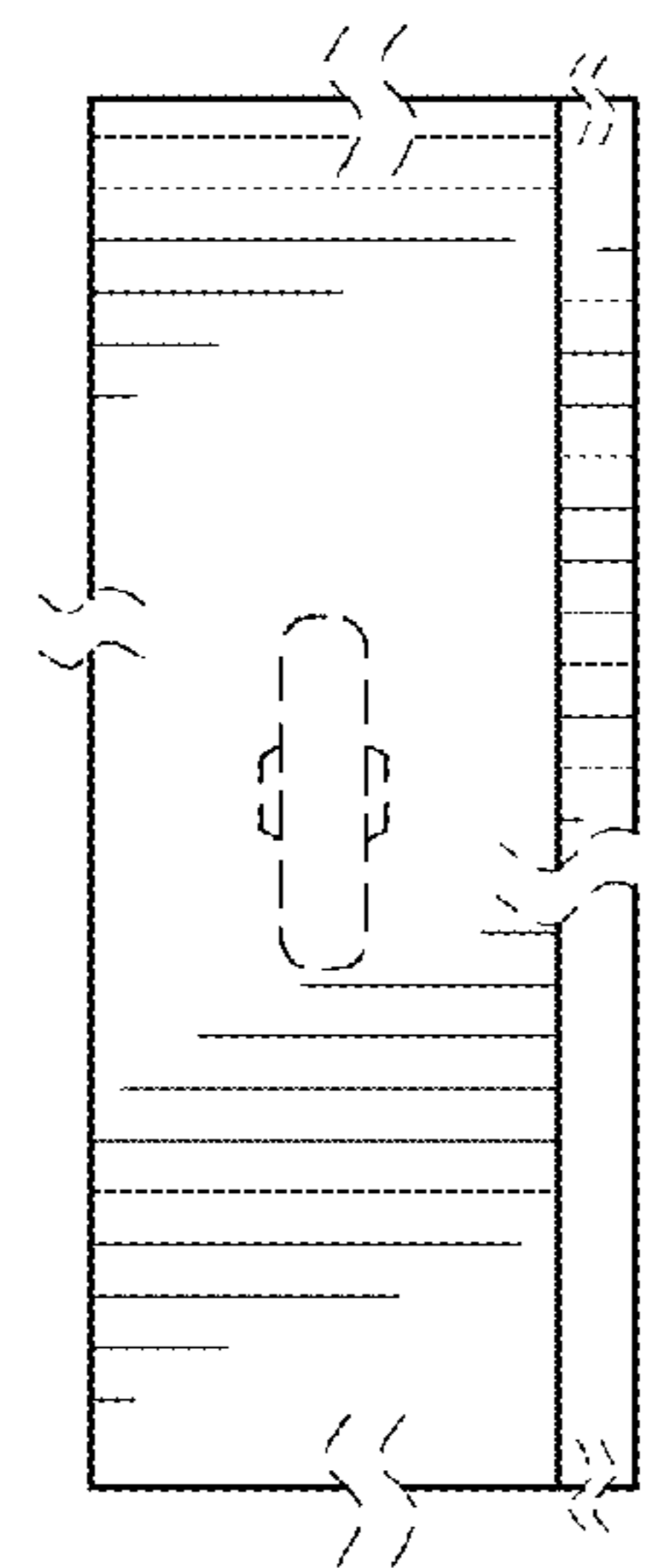
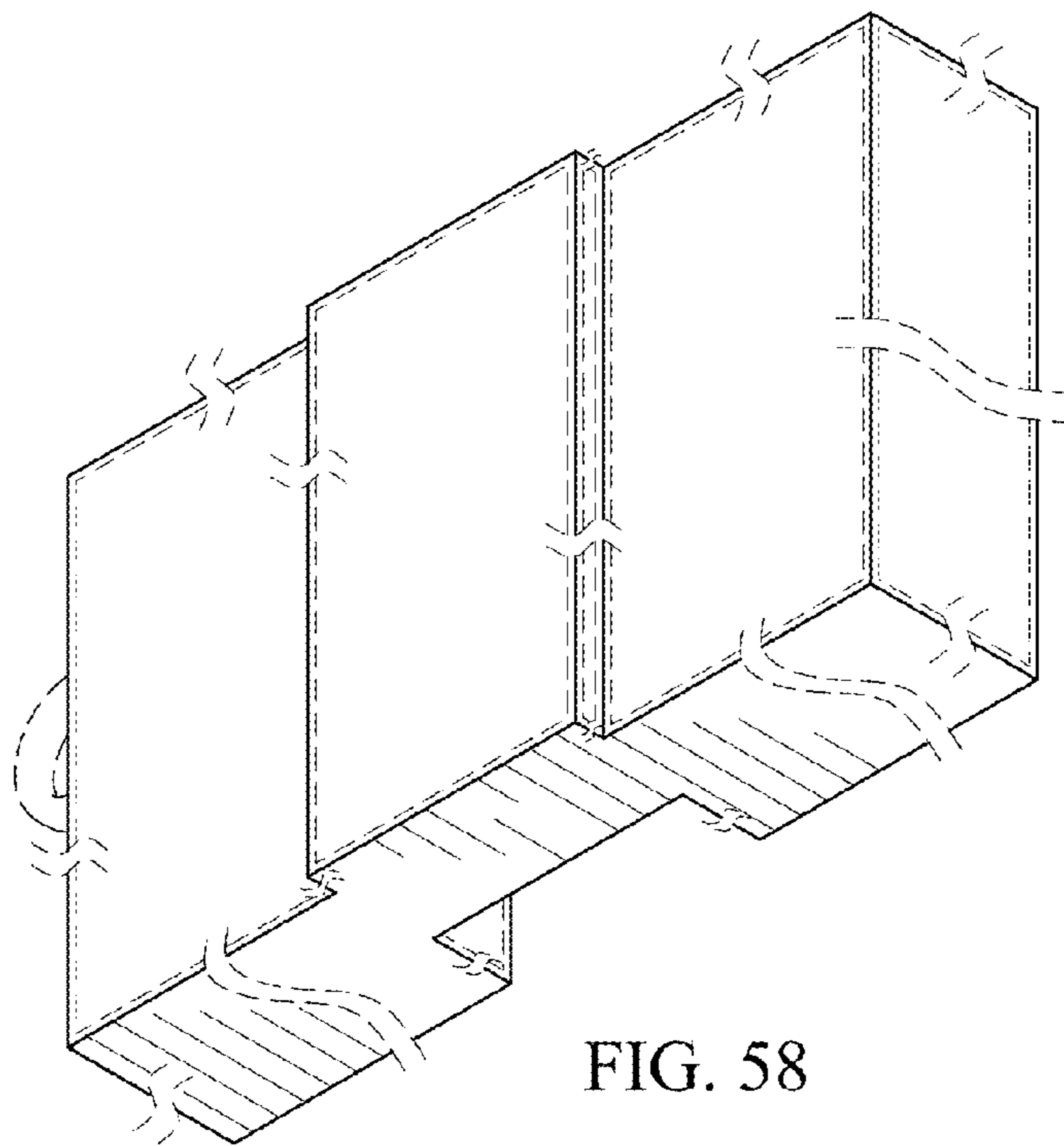
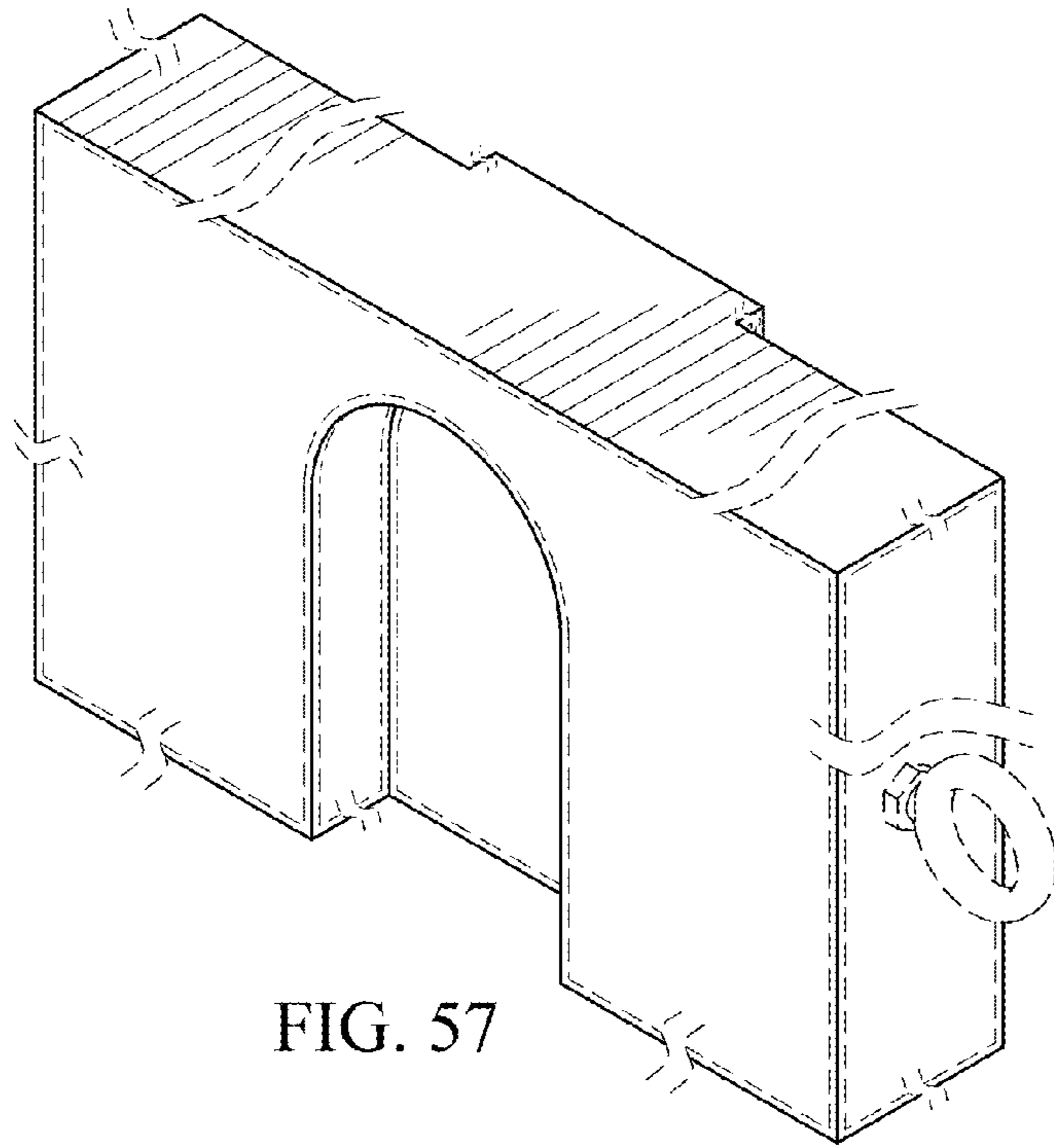


FIG. 56



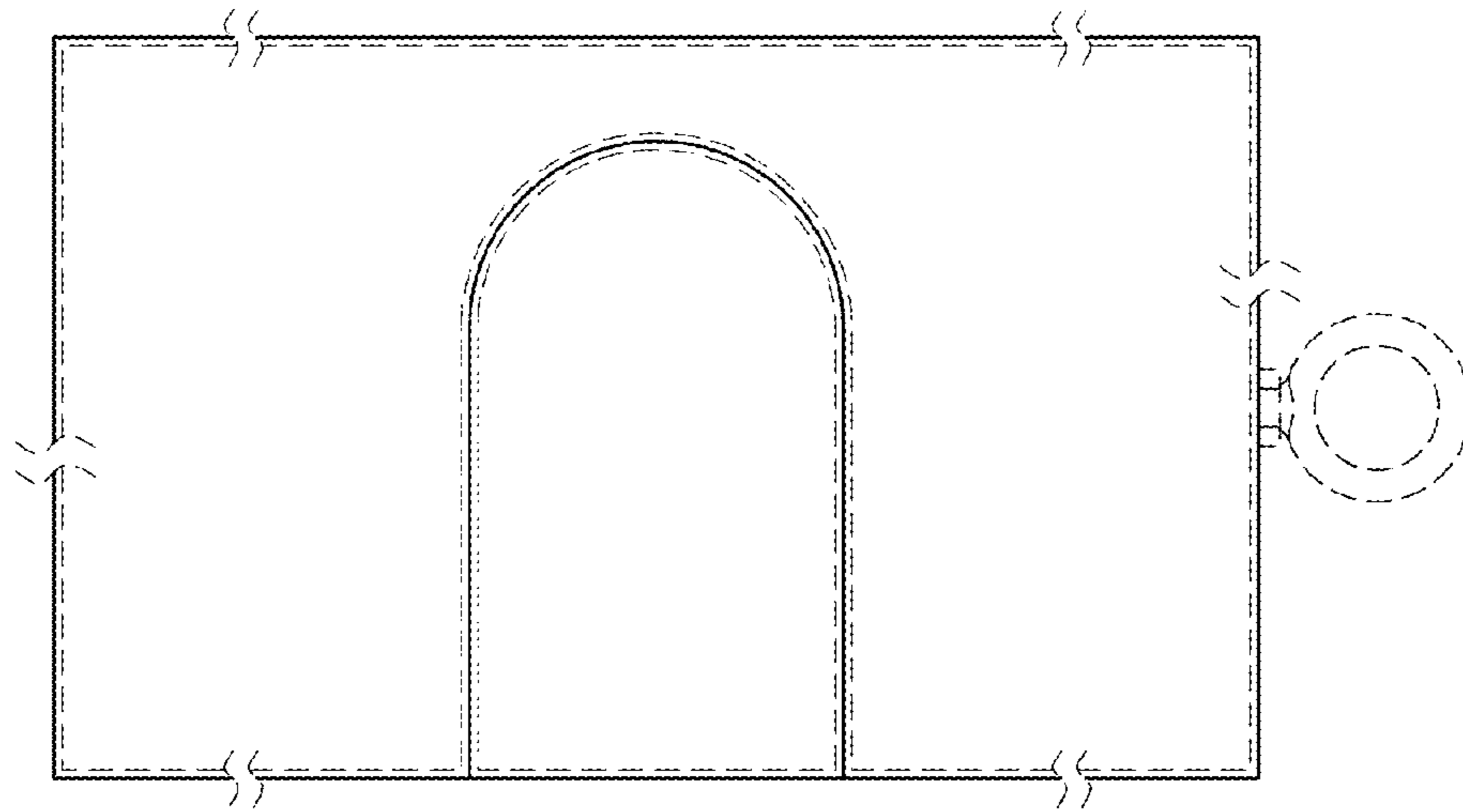


FIG. 59

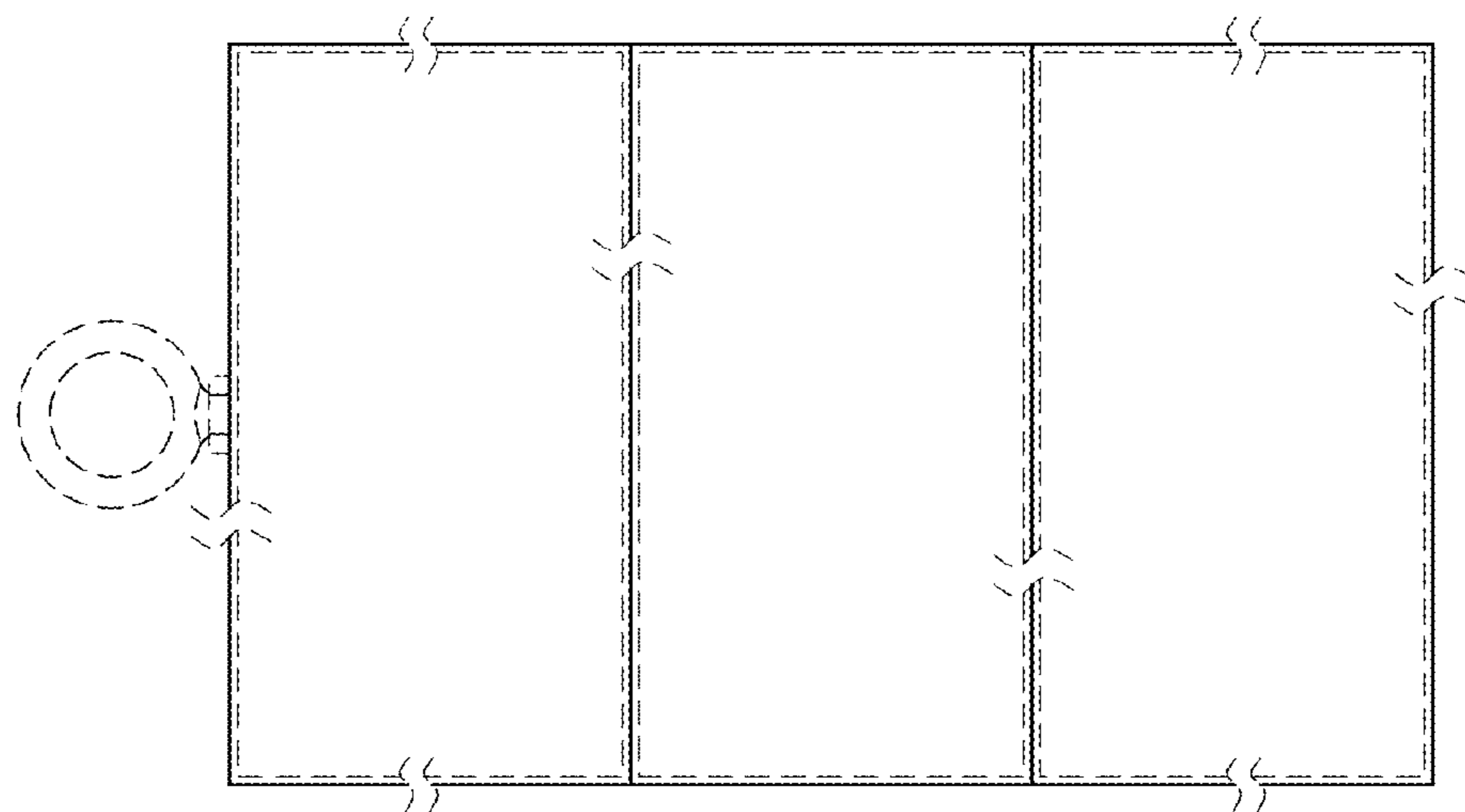


FIG. 60

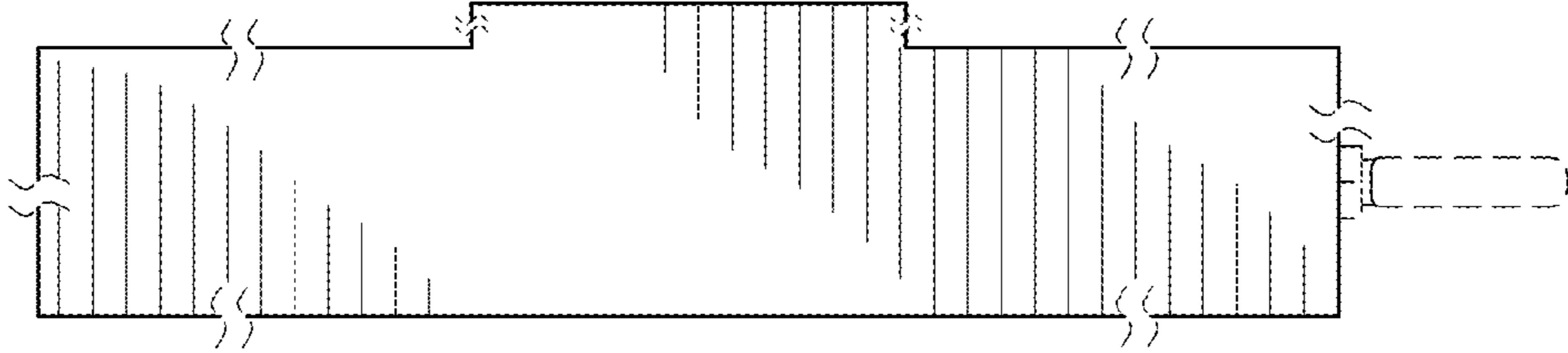


FIG. 61

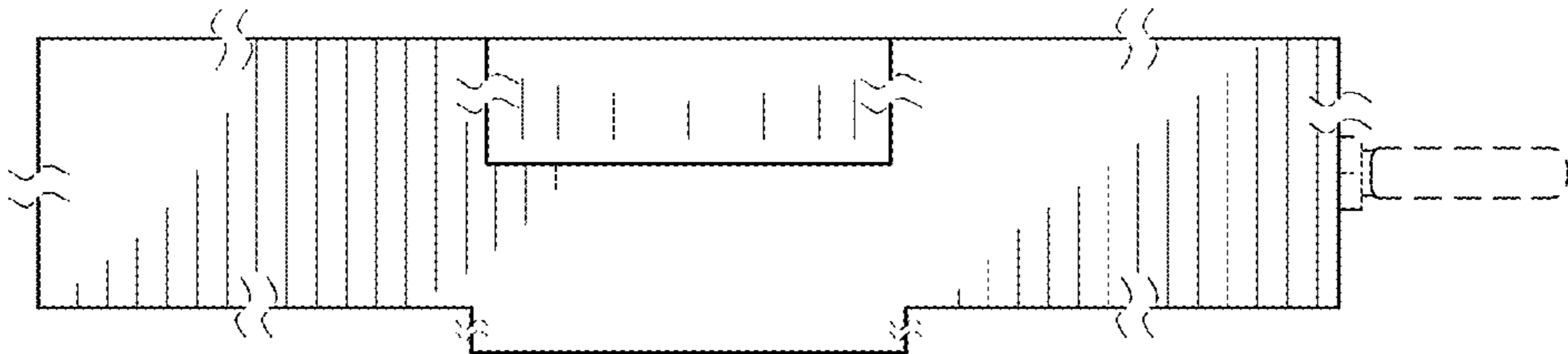


FIG. 62

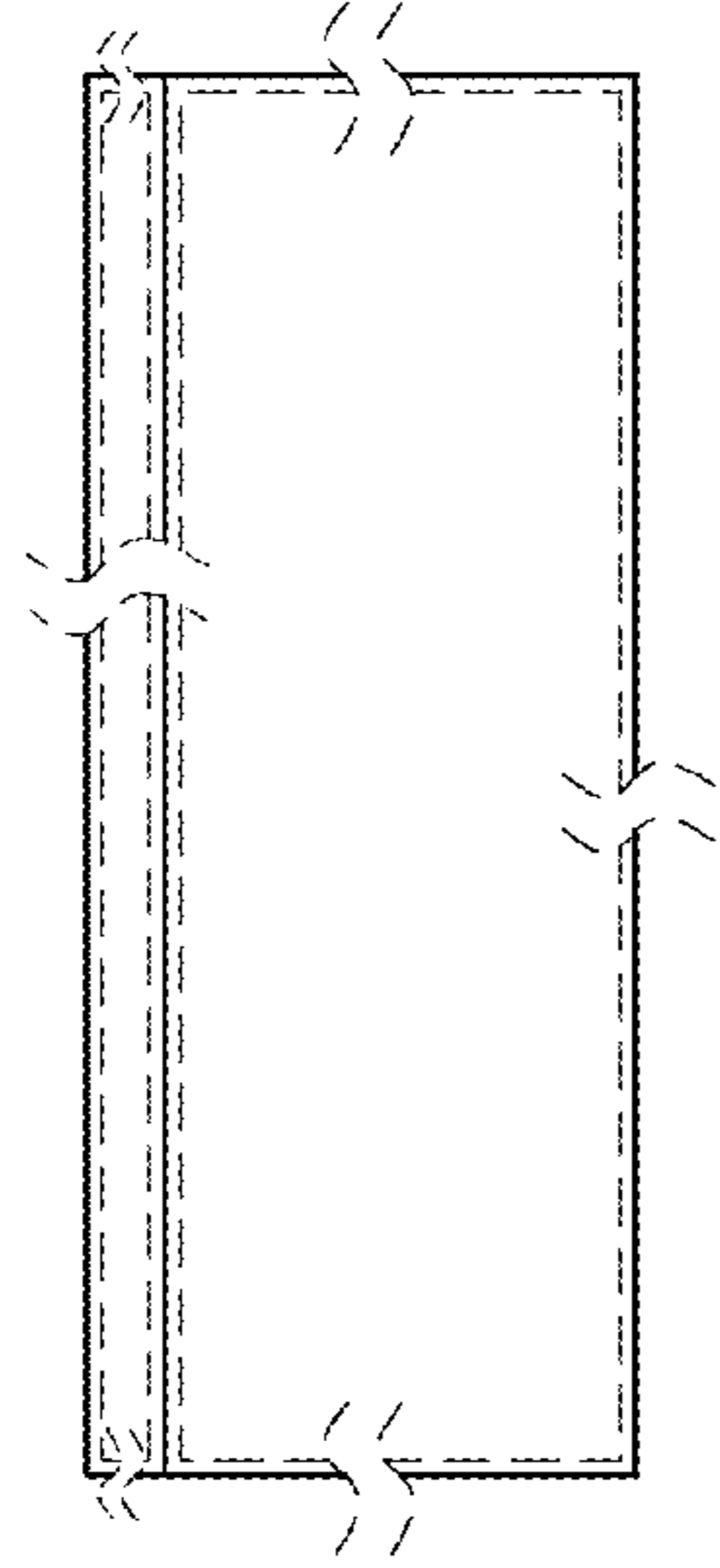


FIG. 63

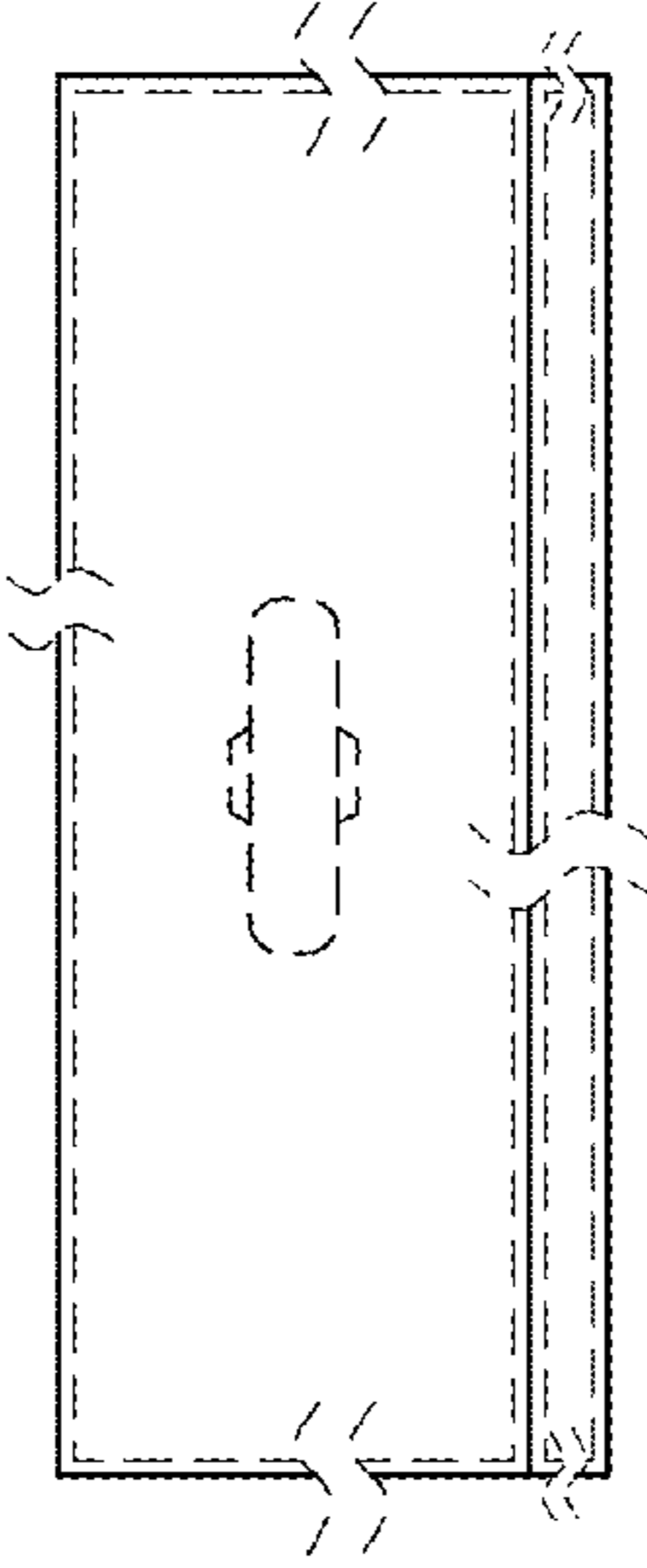


FIG. 64

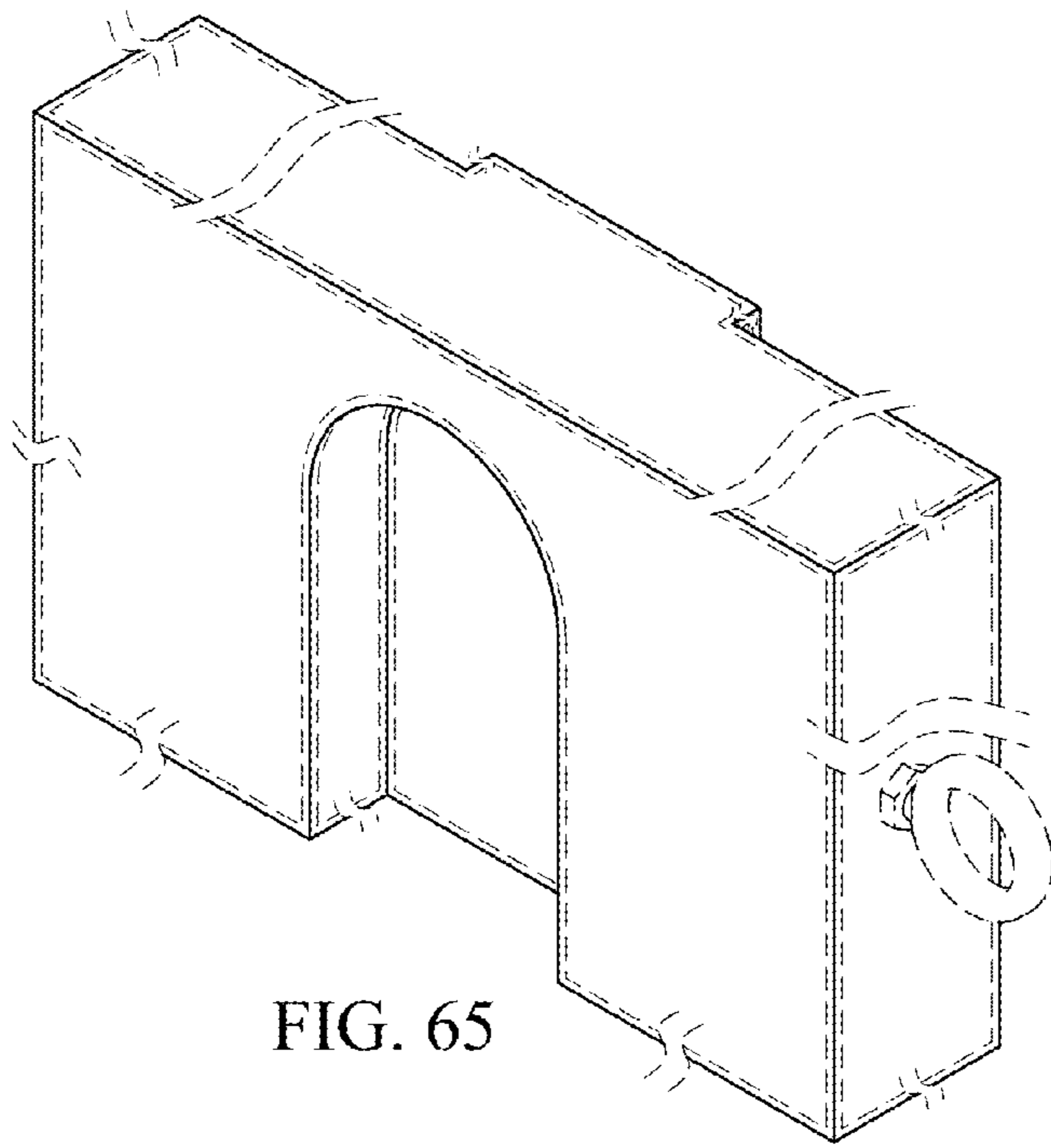


FIG. 65

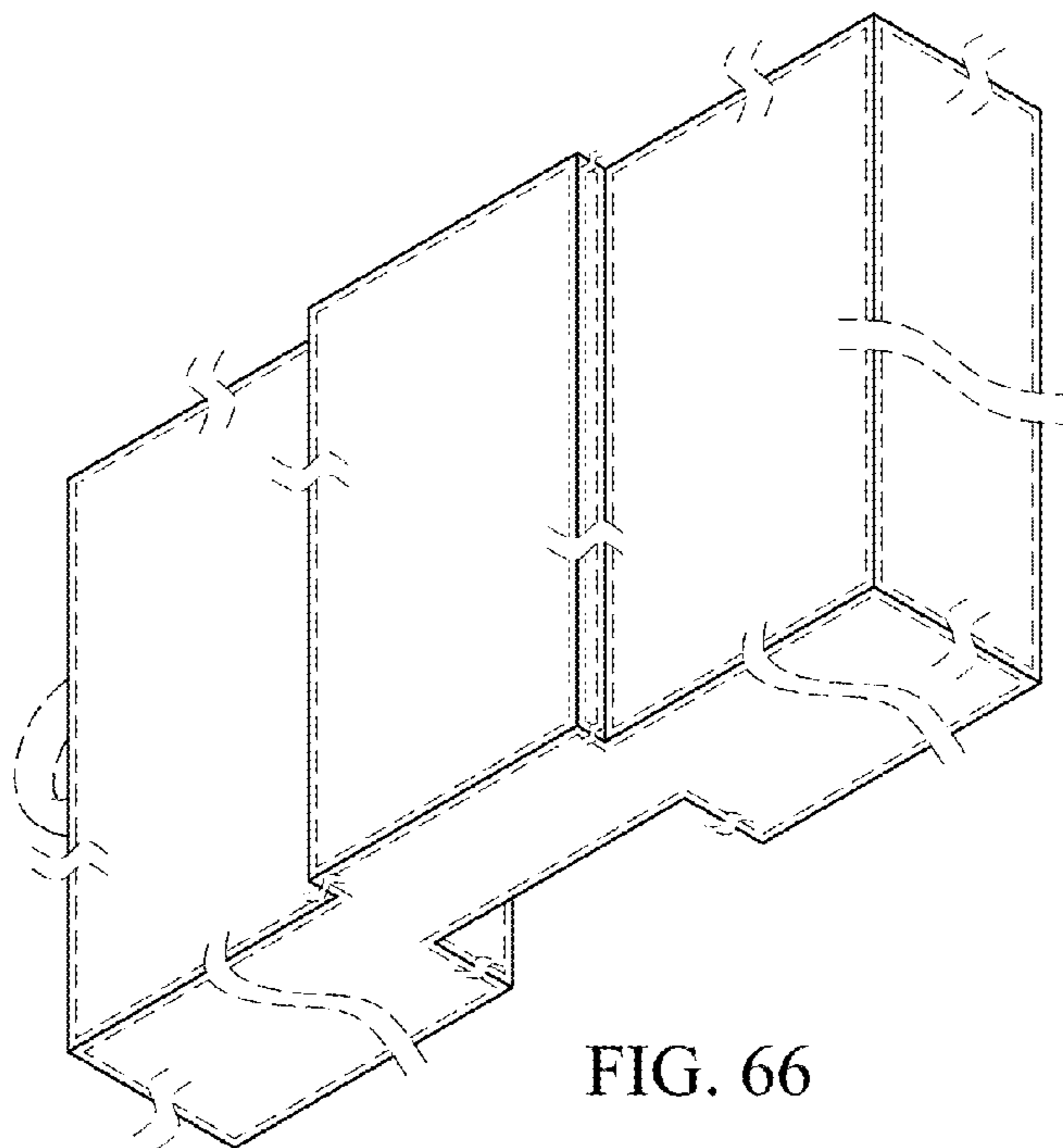


FIG. 66

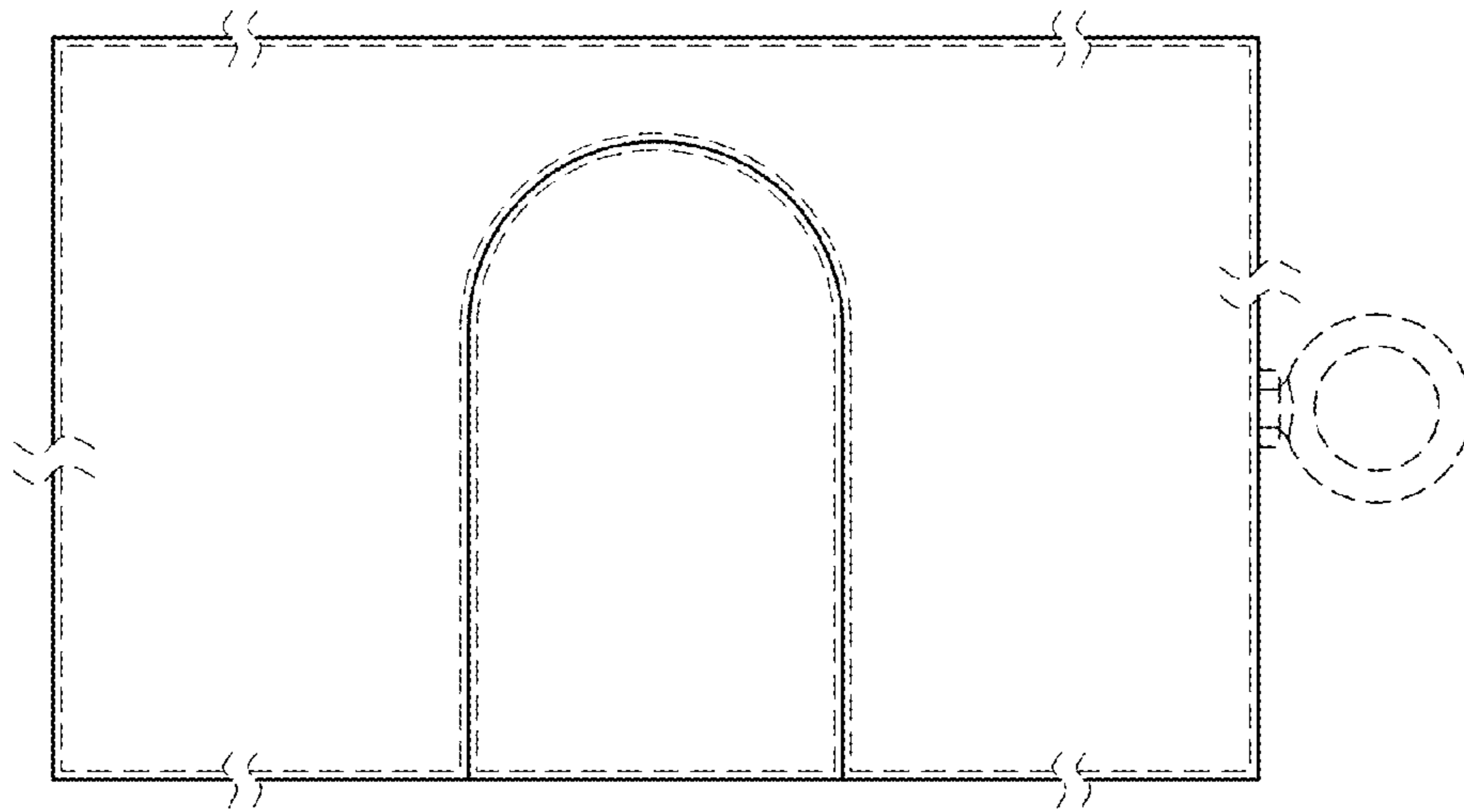


FIG. 67

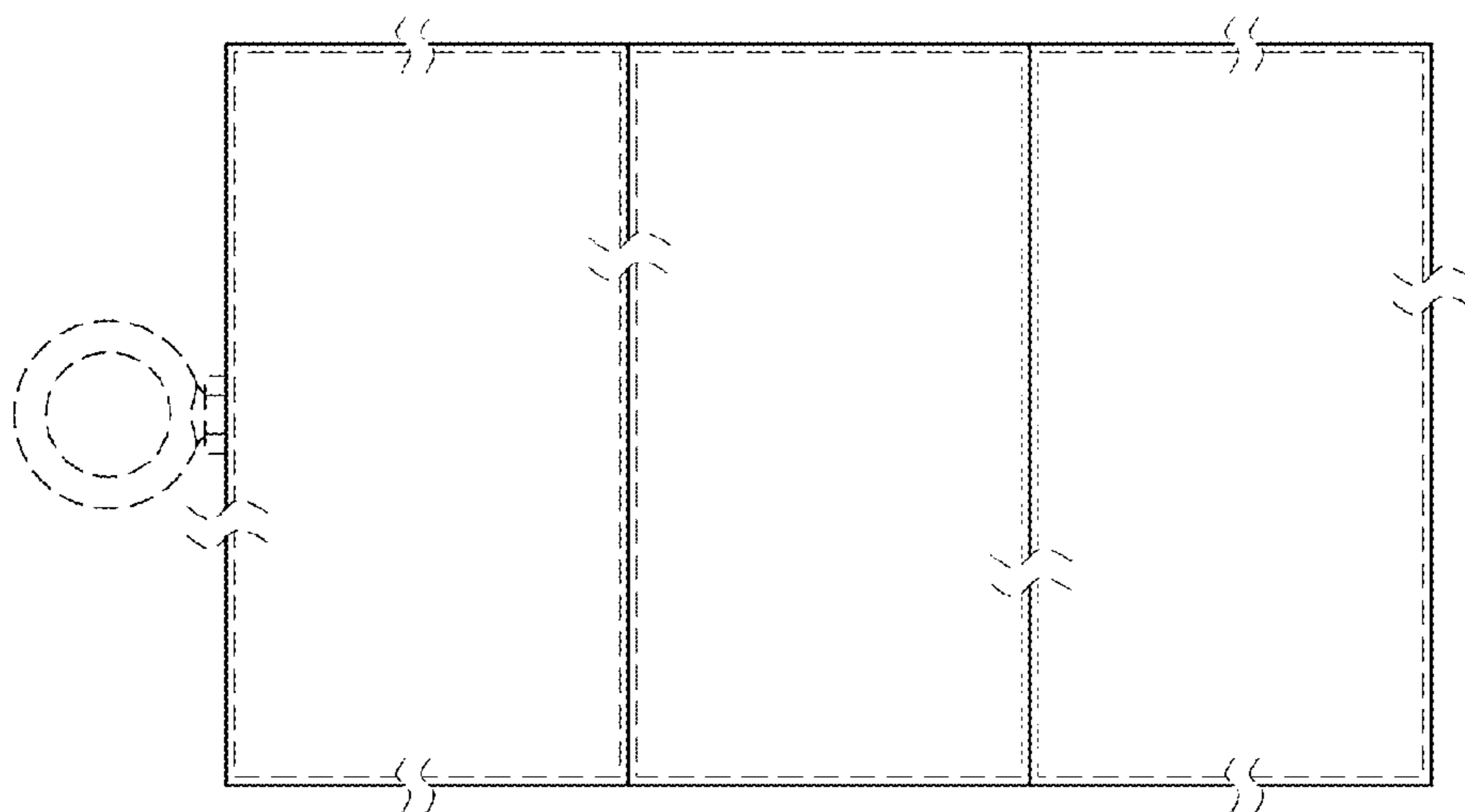


FIG. 68

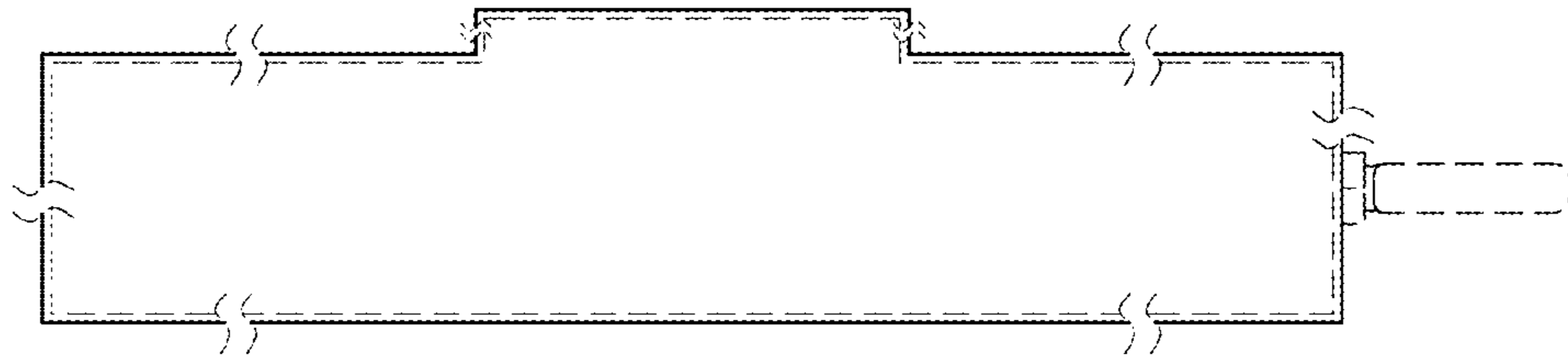


FIG. 69

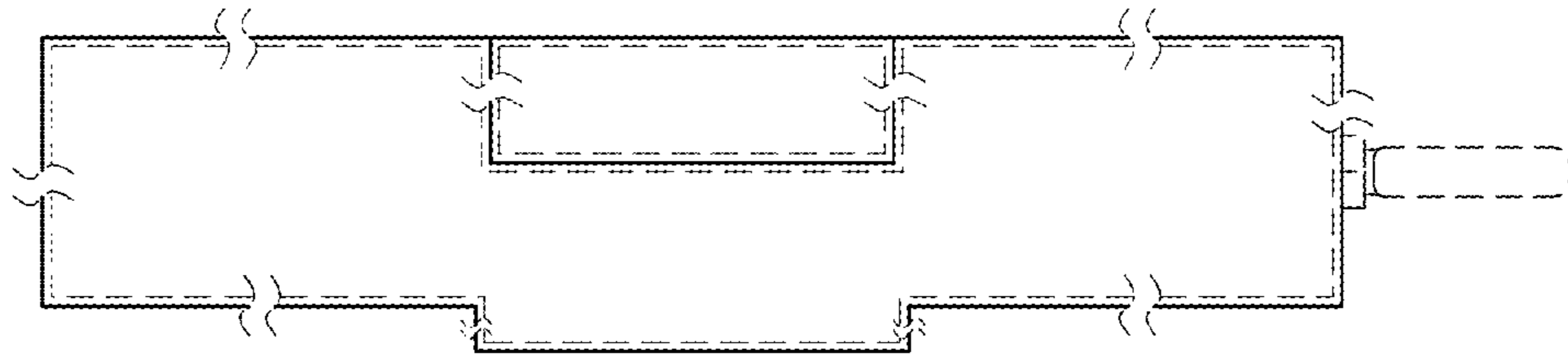


FIG. 70

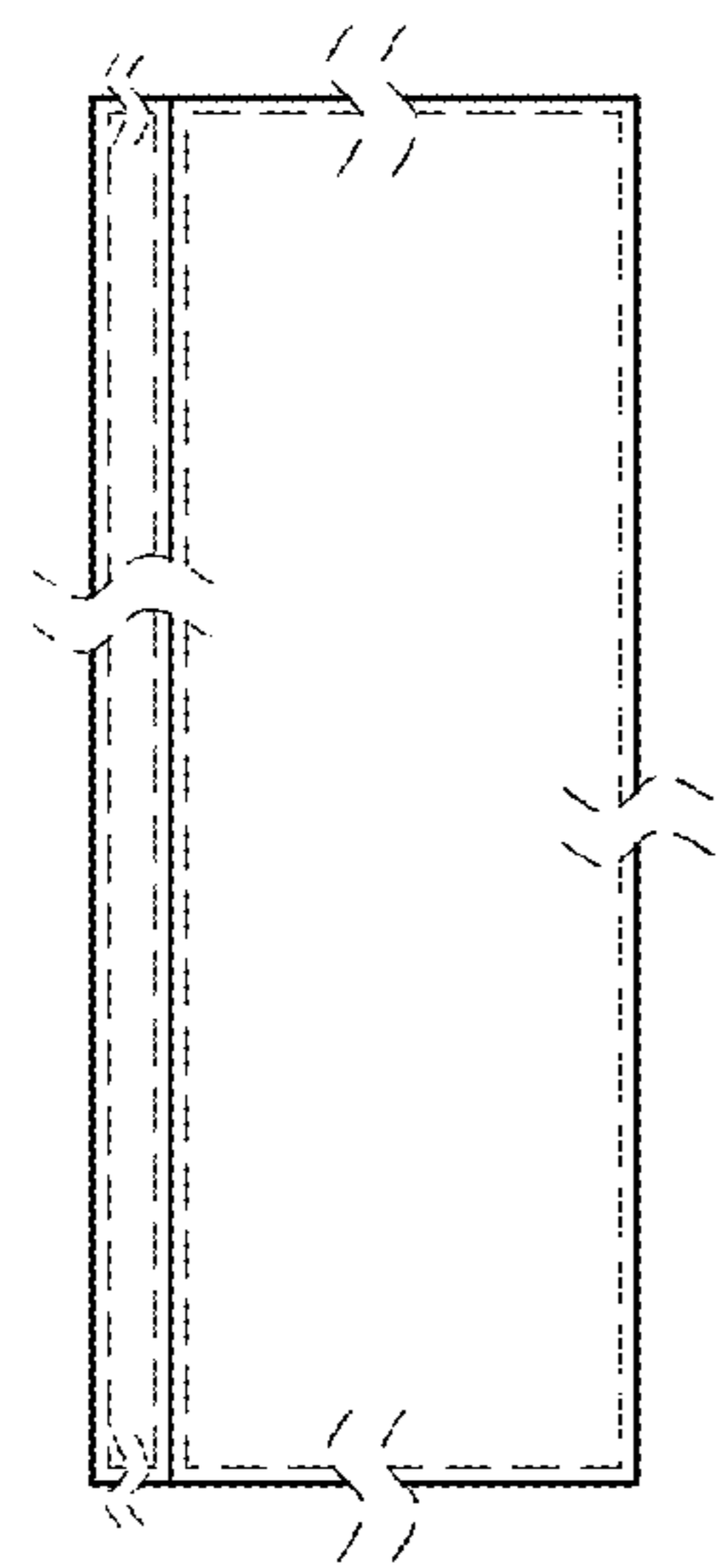


FIG. 71

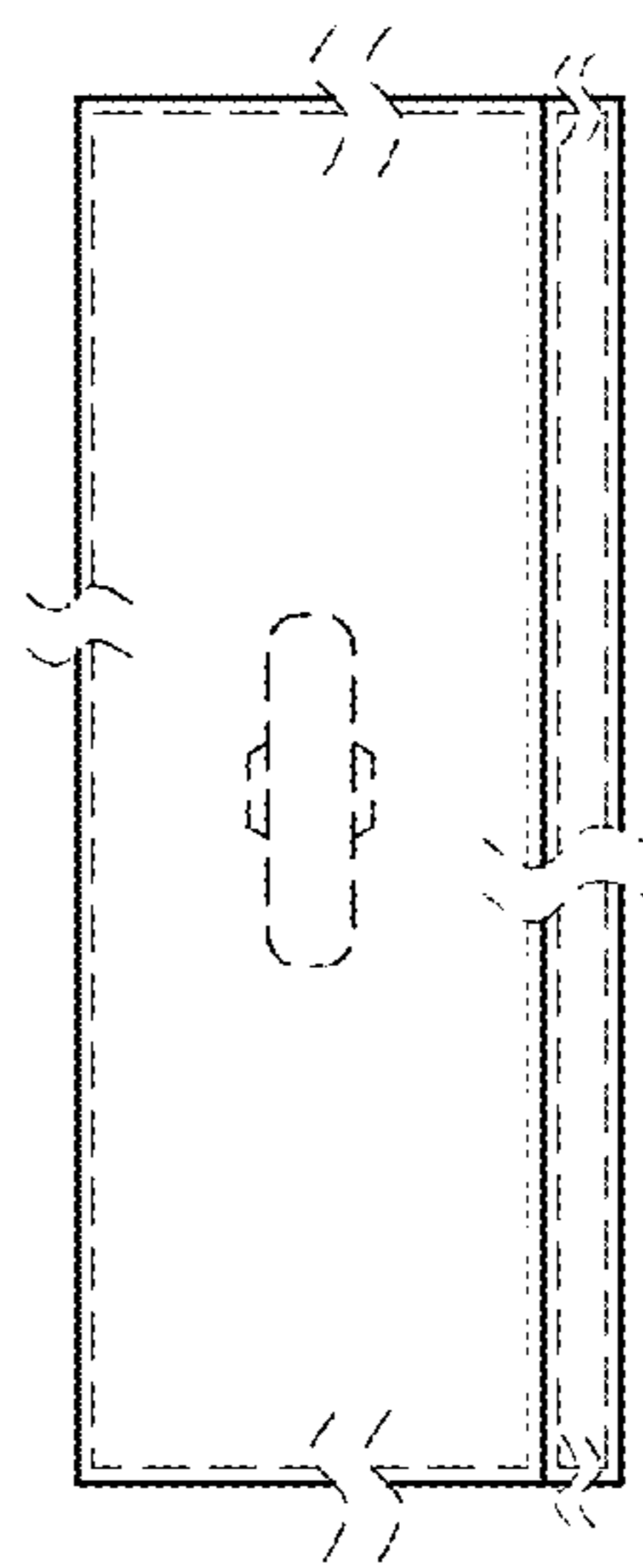


FIG. 72