



US00D738945S

(12) **United States Design Patent**
Culbertson et al.

(10) **Patent No.:** **US D738,945 S**

(45) **Date of Patent:** **** *Sep. 15, 2015**

(54) **NUCLEAR REACTOR TUBE SHIELD**

(71) Applicant: **American Ceramic Technology**, Poway, CA (US)

(72) Inventors: **Richard Culbertson**, Poway, CA (US);
Robert Scott Culbertson, San Diego, CA (US); **Patrick Tony Pangacian**, San Diego, CA (US)

(73) Assignee: **American Ceramic Technology**, Poway, CA (US)

(*) Notice: This patent is subject to a terminal disclaimer.

(**) Term: **14 Years**

(21) Appl. No.: **29/470,957**

(22) Filed: **Oct. 25, 2013**

Related U.S. Application Data

(63) Continuation-in-part of application No. 29/453,558, filed on Apr. 30, 2013, now Pat. No. Des. 733,202.

(51) **LOC (10) Cl.** **15-09**

(52) **U.S. Cl.**
USPC **D15/199**; D15/138

(58) **Field of Classification Search**
USPC D8/354, 366, 380; D15/138, 199
See application file for complete search history.

(56) **References Cited**

U.S. PATENT DOCUMENTS

2,911,458	A *	11/1959	McKee	174/395
2,951,108	A *	8/1960	Woods	174/395
3,005,174	A *	10/1961	Pifer	439/607.59
3,036,145	A *	5/1962	Murphy	174/395
3,109,050	A *	10/1963	Lusic	174/395
3,307,121	A *	2/1967	Loos	334/6
D223,304	S *	4/1972	Doggart	D10/118
4,127,776	A *	11/1978	Pickel	378/156
4,913,876	A *	4/1990	Lettau et al.	376/444
5,154,648	A *	10/1992	Buckshaw	165/134.1

5,168,235	A *	12/1992	Bonner	324/508
D333,631	S *	3/1993	Maguire et al.	D10/103
5,474,123	A *	12/1995	Buckshaw	165/134.1
5,884,695	A *	3/1999	Brownlee	165/134.1
5,981,875	A *	11/1999	Kesler et al.	174/66
6,939,434	B2 *	9/2005	Collins et al.	156/345.35
D510,566	S *	10/2005	Johanneck et al.	D13/171
D562,264	S *	2/2008	Jeong et al.	D13/164
D596,020	S *	7/2009	Lisowski	D8/380
2003/0123600	A1 *	7/2003	Hesketh et al.	376/435
2004/0076253	A1 *	4/2004	Soderlund et al.	376/310
2005/0105677	A1 *	5/2005	Yoon et al.	376/462
2006/0227923	A1 *	10/2006	Brashier et al.	376/364
2008/0110602	A1 *	5/2008	Woodson	165/134.1
2008/0152069	A1 *	6/2008	Aktas et al.	376/362
2009/0060117	A1 *	3/2009	Yoon et al.	376/439
2009/0252280	A1 *	10/2009	Lutz	376/431
2010/0101511	A1 *	4/2010	Nordh	122/512

* cited by examiner

Primary Examiner — Patricia Palasik

(74) *Attorney, Agent, or Firm* — Mastermind IP Law P.C.; Diane L. Gardner

(57) **CLAIM**

The ornamental design for a nuclear reactor tube shield, substantially as shown and described.

DESCRIPTION

FIG. 1 is a front perspective view of a nuclear reactor tube shield showing the new design;
 FIG. 2 is a rear perspective view thereof;
 FIG. 3 is a front view thereof;
 FIG. 4 is a rear view thereof;
 FIG. 5 is a top view thereof;
 FIG. 6 is a bottom view thereof;
 FIG. 7 is a side view thereof;
 FIG. 8 is a side view thereof;
 FIG. 9 is a front perspective view of a nuclear reactor tube shield showing another embodiment of the new design;
 FIG. 10 is a rear perspective view thereof;
 FIG. 11 is a front view thereof;
 FIG. 12 is a rear view thereof;
 FIG. 13 is a top view thereof;
 FIG. 14 is a bottom view thereof;

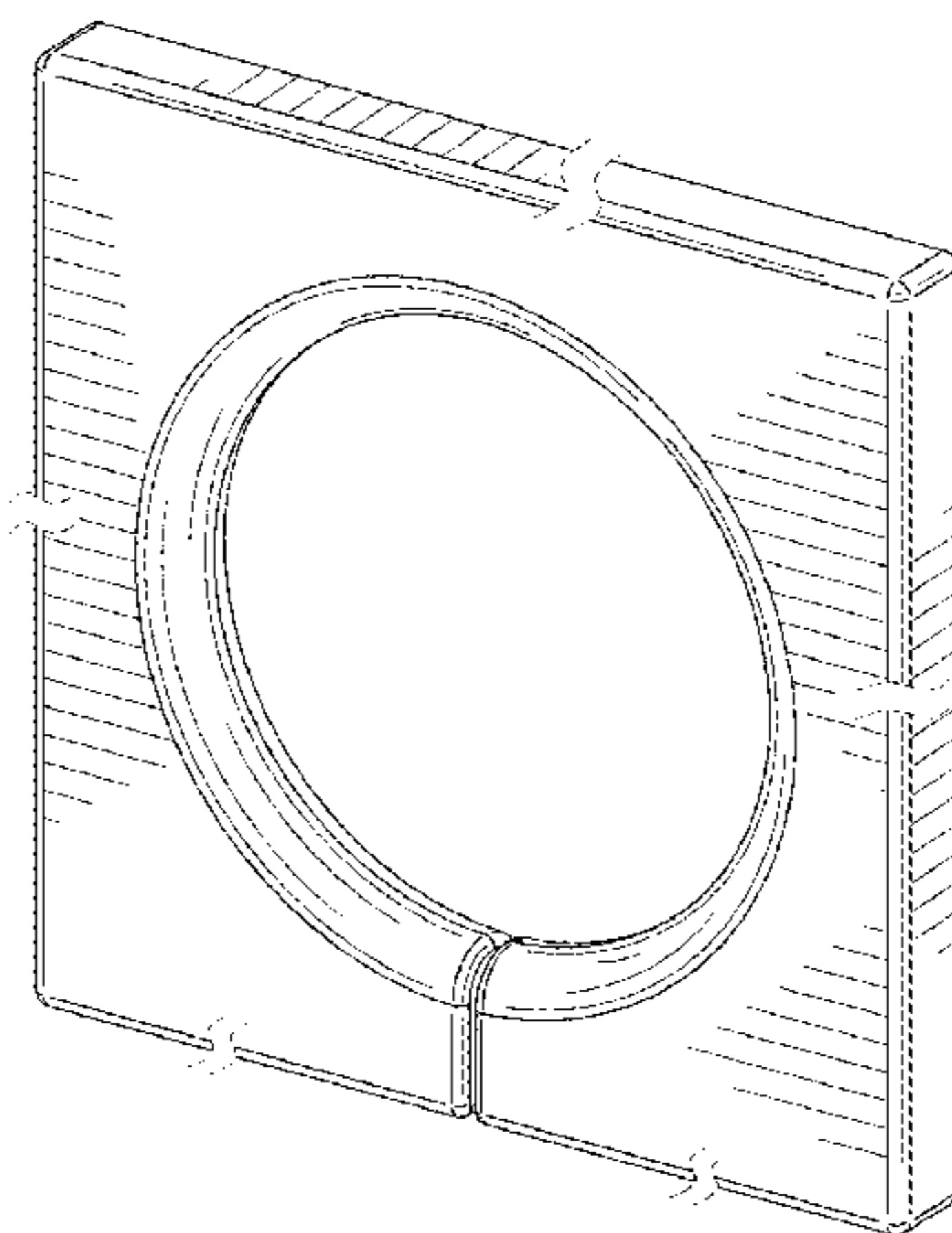


FIG. 15 is a side view thereof;
FIG. 16 is a side view thereof;
FIG. 17 is a front perspective view of a nuclear reactor tube shield showing another embodiment of the new design;
FIG. 18 is a rear perspective view thereof;
FIG. 19 is a front view thereof;
FIG. 20 is a rear view thereof;
FIG. 21 is a top view thereof;
FIG. 22 is a bottom view thereof;
FIG. 23 is a side view thereof;
FIG. 24 is a side view thereof;
FIG. 25 is a front perspective view of a nuclear reactor tube shield showing another embodiment of the new design;
FIG. 26 is a rear perspective view thereof;
FIG. 27 is a front view thereof;
FIG. 28 is a rear view thereof;
FIG. 29 is a top view thereof;
FIG. 30 is a bottom view thereof;
FIG. 31 is a side view thereof;
FIG. 32 is a side view thereof;
FIG. 33 is a front perspective view of a nuclear reactor tube shield showing another embodiment of the new design;
FIG. 34 is a rear perspective view thereof;
FIG. 35 is a front view thereof;
FIG. 36 is a rear view thereof;
FIG. 37 is a top view thereof;
FIG. 38 is a bottom view thereof;
FIG. 39 is a side view thereof;
FIG. 40 is a side view thereof;
FIG. 41 is a front perspective view of a nuclear reactor tube shield showing another embodiment of the new design;
FIG. 42 is a rear perspective view thereof;

FIG. 43 is a front view thereof;
FIG. 44 is a rear view thereof;
FIG. 45 is a top view thereof;
FIG. 46 is a bottom view thereof;
FIG. 47 is a side view thereof;
FIG. 48 is a side view thereof;
FIG. 49 is a front perspective view of a nuclear reactor tube shield showing another embodiment of the new design;
FIG. 50 is a rear perspective view thereof;
FIG. 51 is a front view thereof;
FIG. 52 is a rear view thereof;
FIG. 53 is a top view thereof;
FIG. 54 is a bottom view thereof;
FIG. 55 is a side view thereof;
FIG. 56 is a side view thereof;
FIG. 57 is a front perspective view of a nuclear reactor tube shield showing another embodiment of the new design;
FIG. 58 is a rear perspective view thereof;
FIG. 59 is a front view thereof;
FIG. 60 is a rear view thereof;
FIG. 61 is a top view thereof;
FIG. 62 is a bottom view thereof;
FIG. 63 is a side view thereof; and,
FIG. 64 is a side view thereof.

The claimed design can be used, for example, as radiation shielding.

Applicant reserves the right to modify any of the figures to show, in line drawing format, any feature depicted in solid lines in dashed lines.

Applicant reserves the right to file one or more divisional applications to specifically claim or disclaim certain features depicted in the figures.

1 Claim, 36 Drawing Sheets

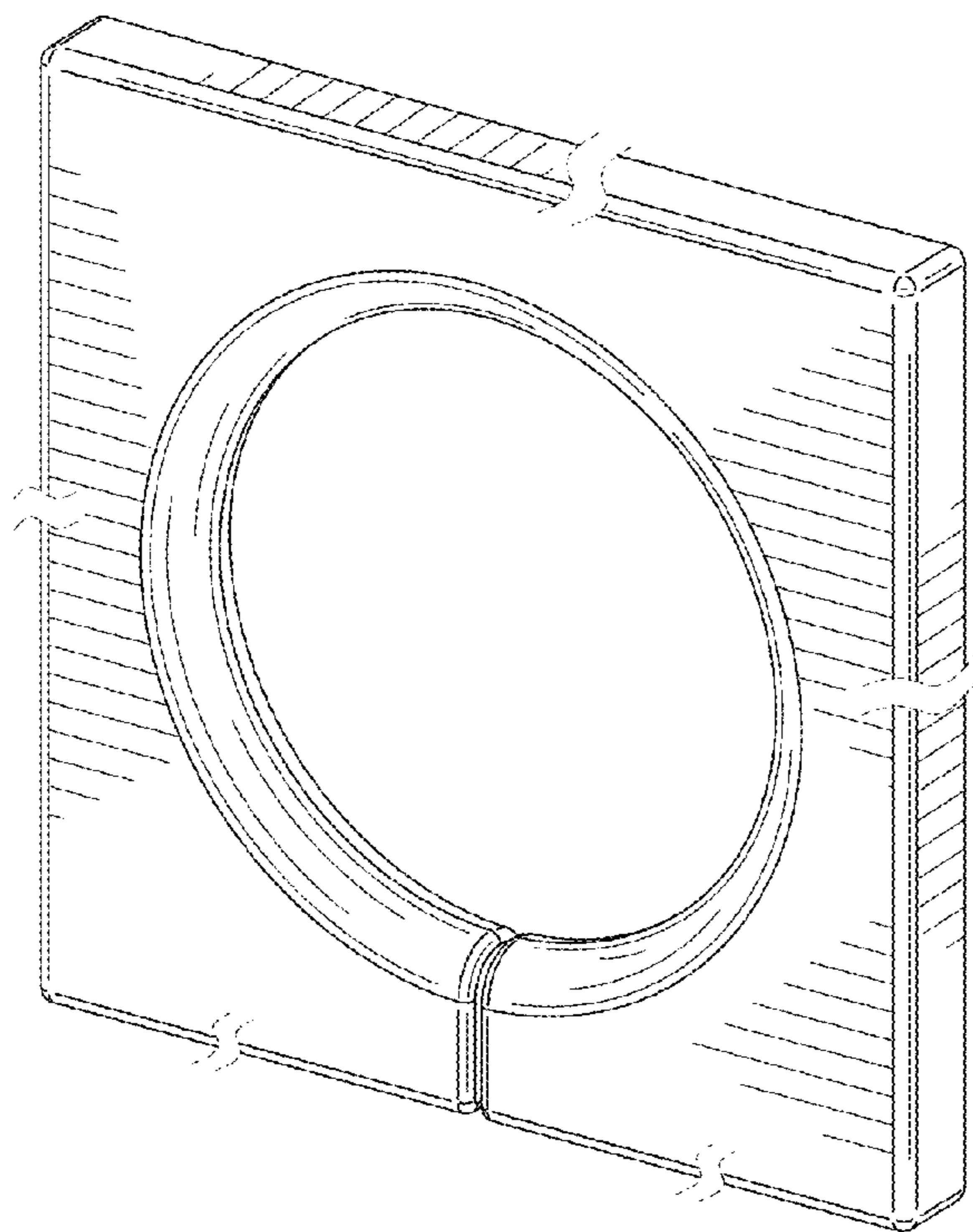


FIG. 1

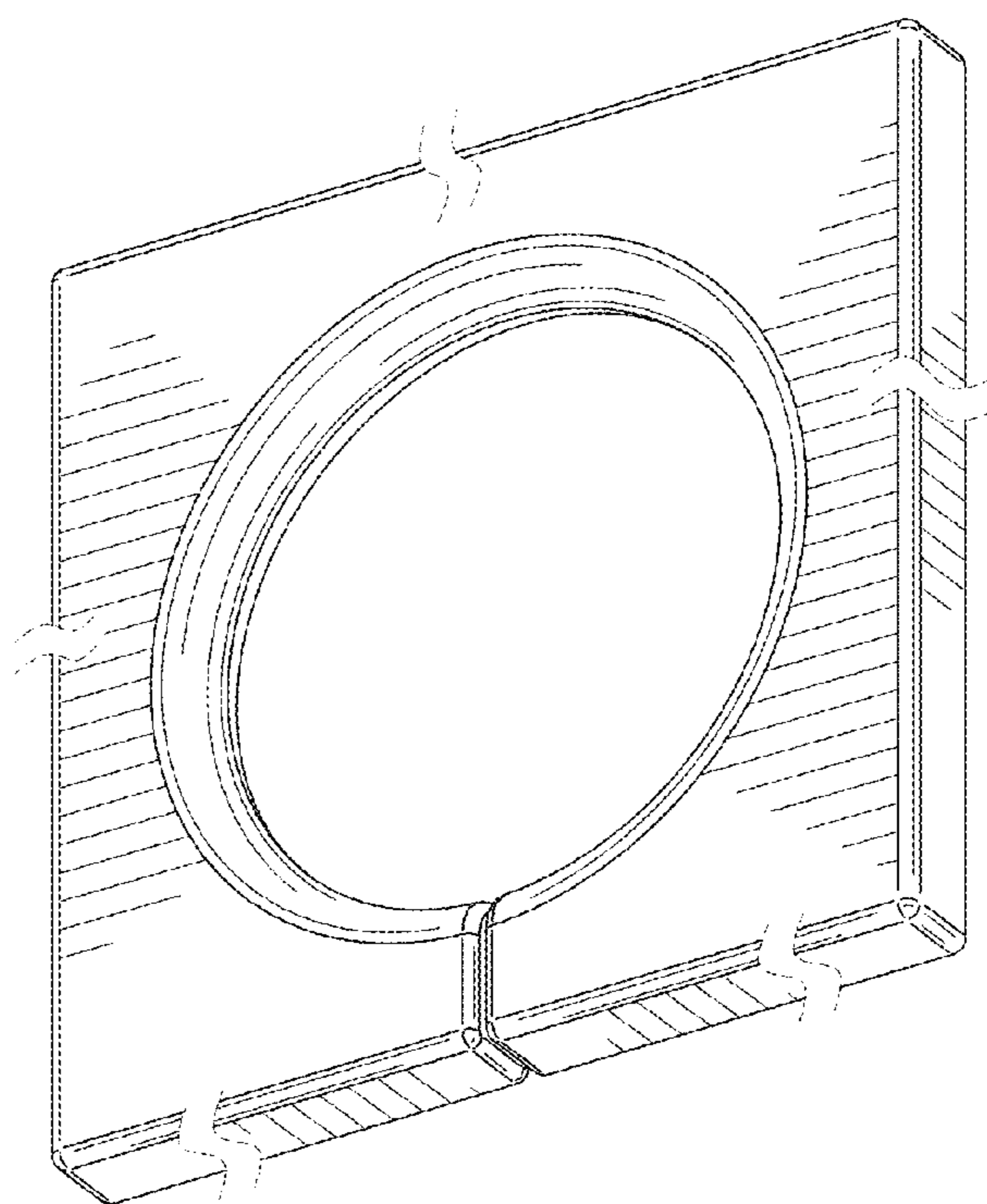


FIG. 2

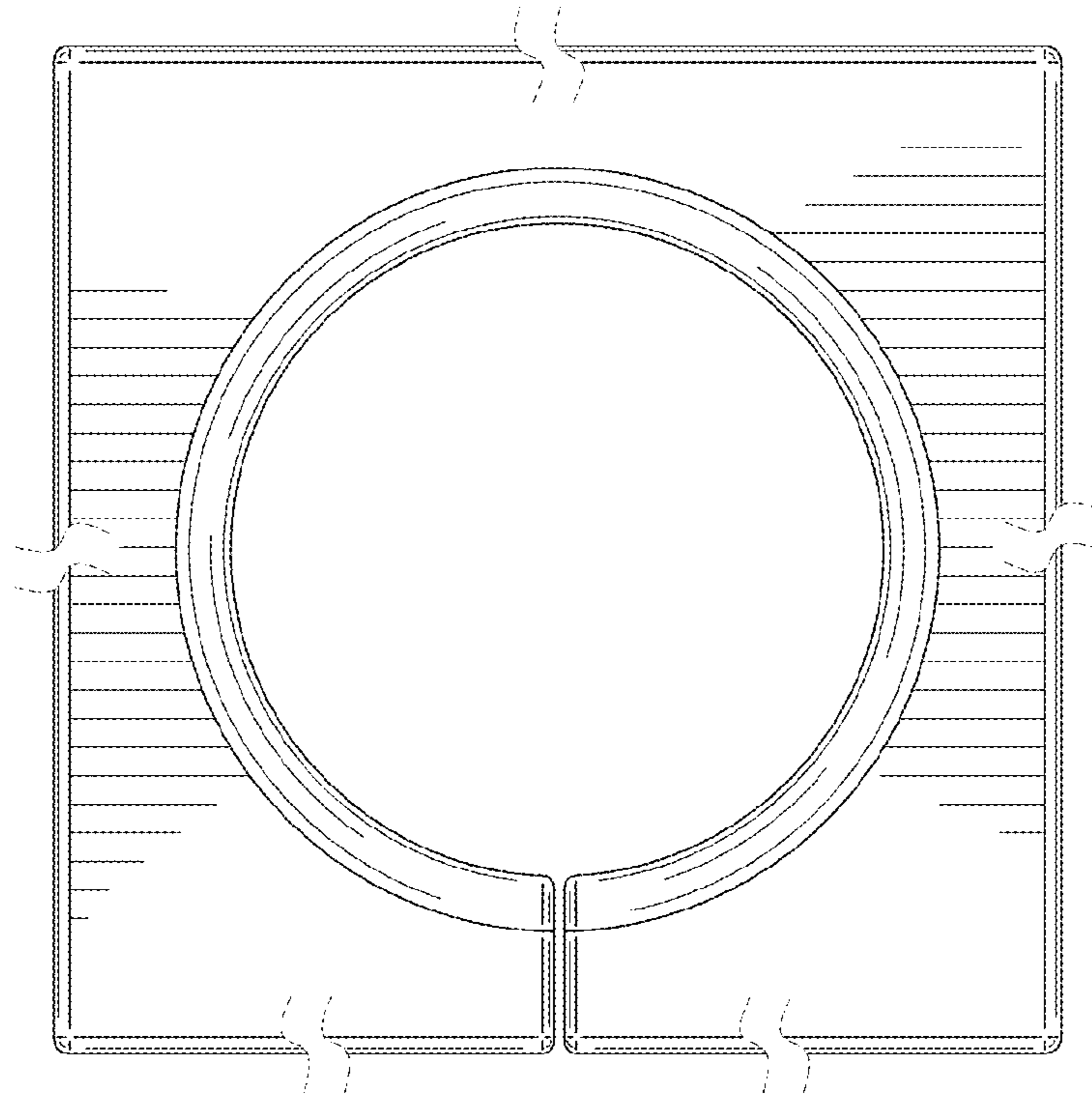


FIG. 3

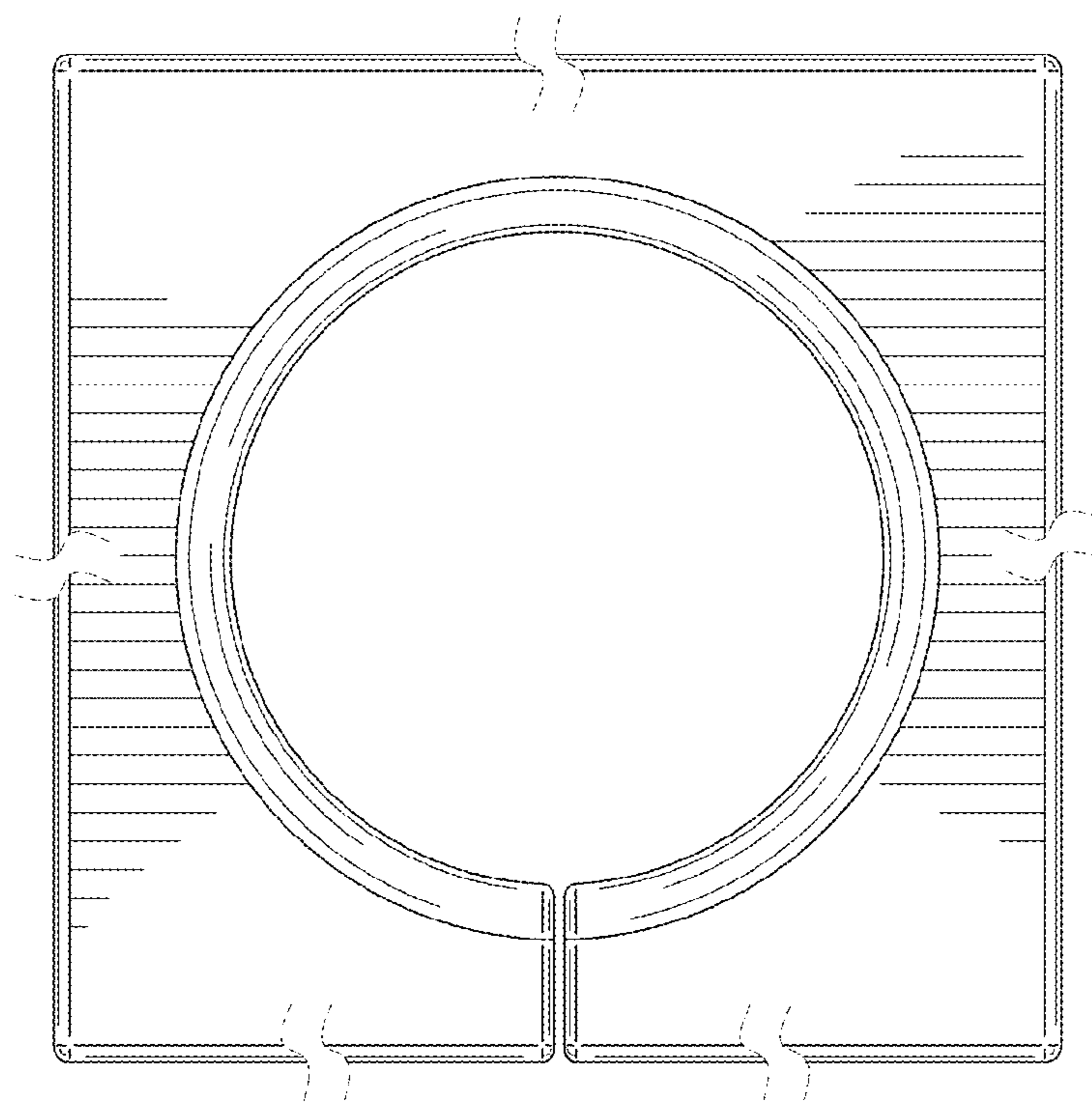


FIG. 4

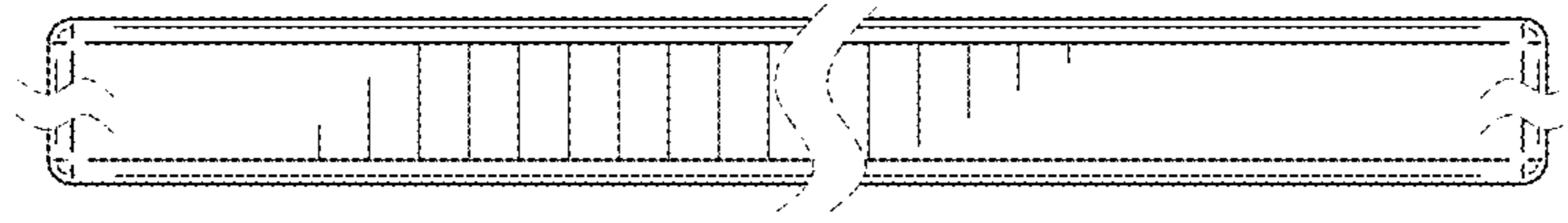


FIG. 5

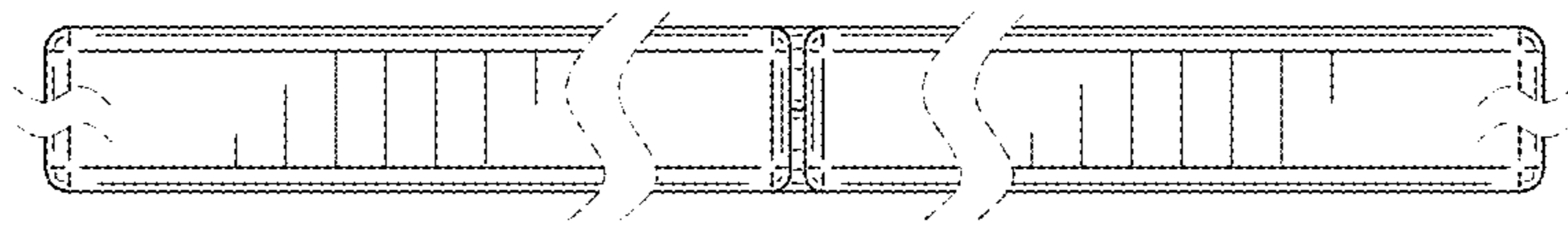


FIG. 6

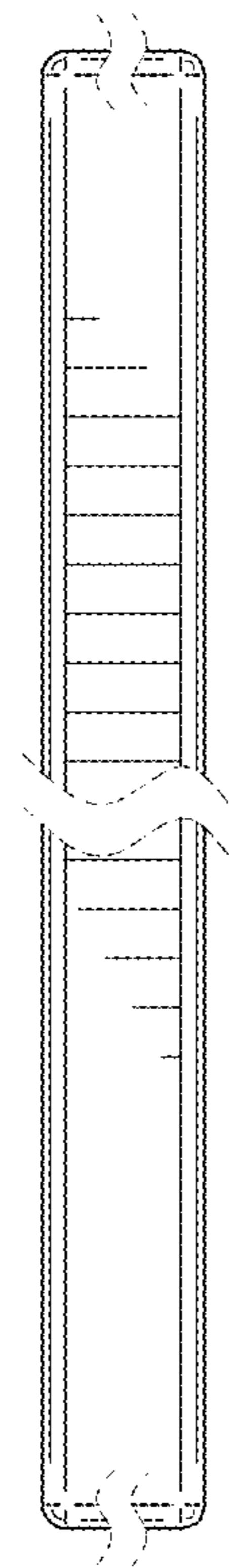


FIG. 7

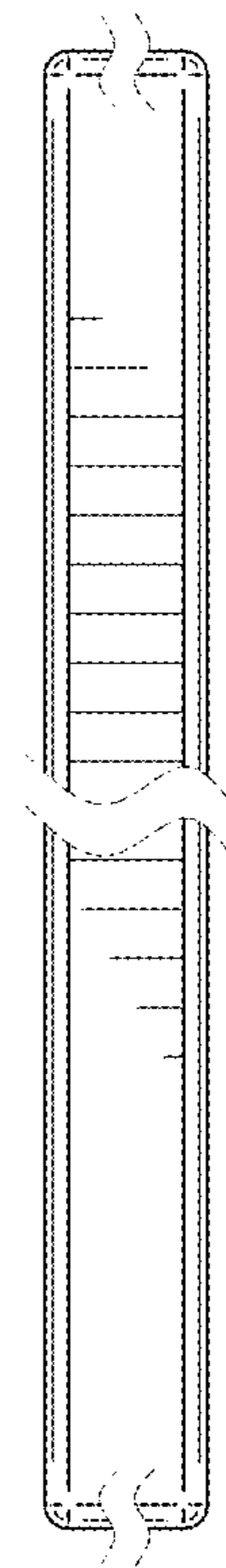


FIG. 8

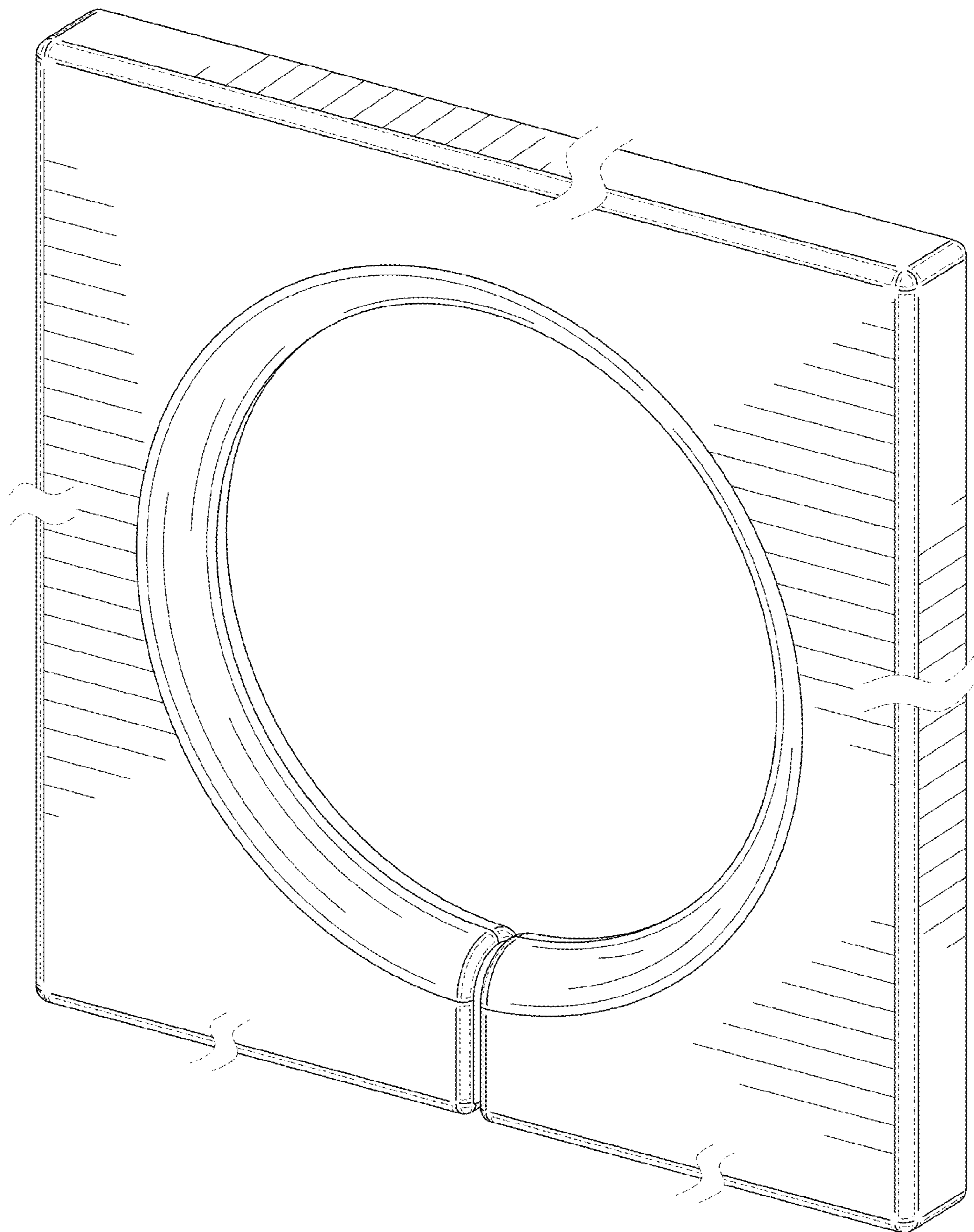


FIG. 9

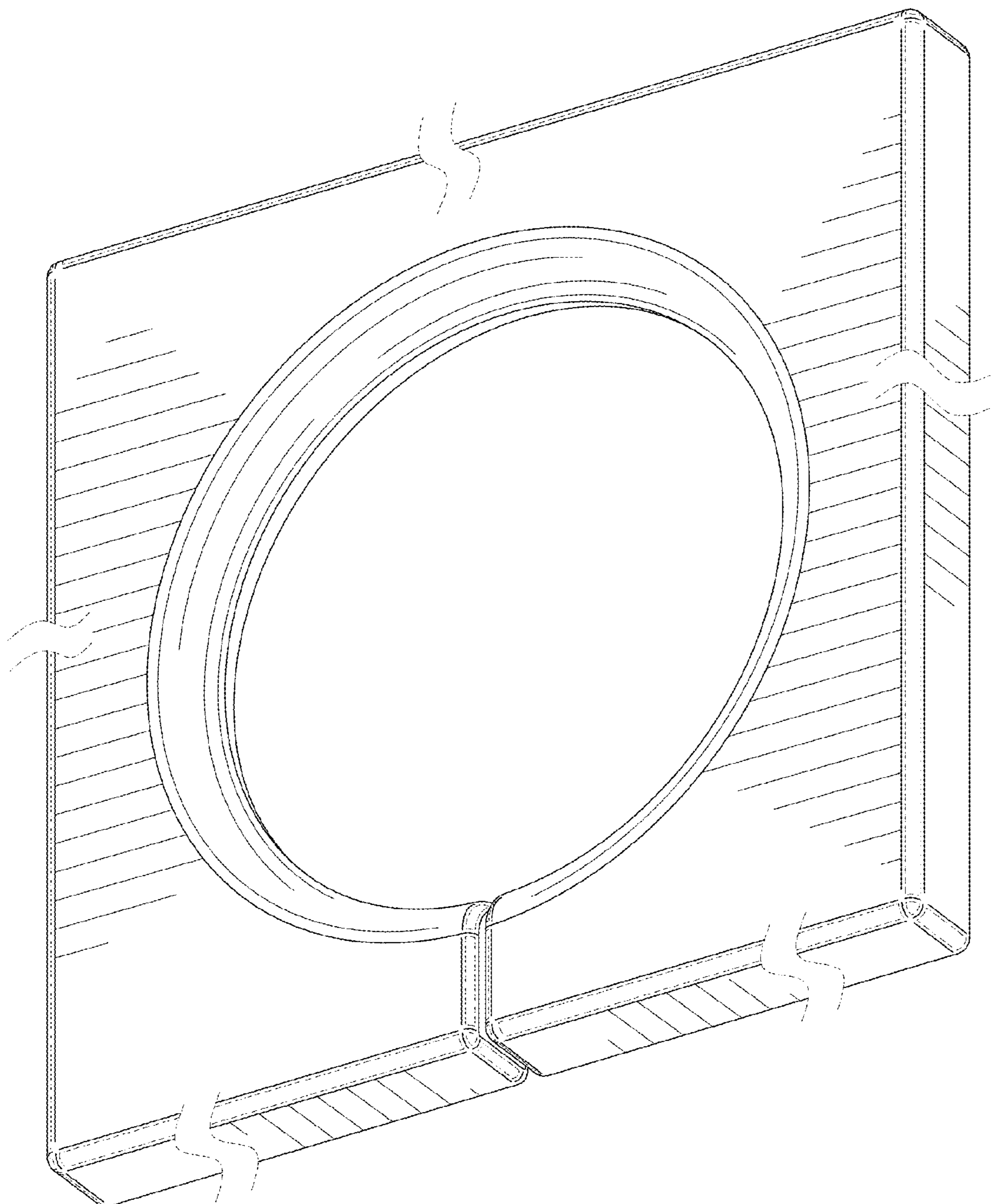


FIG. 10

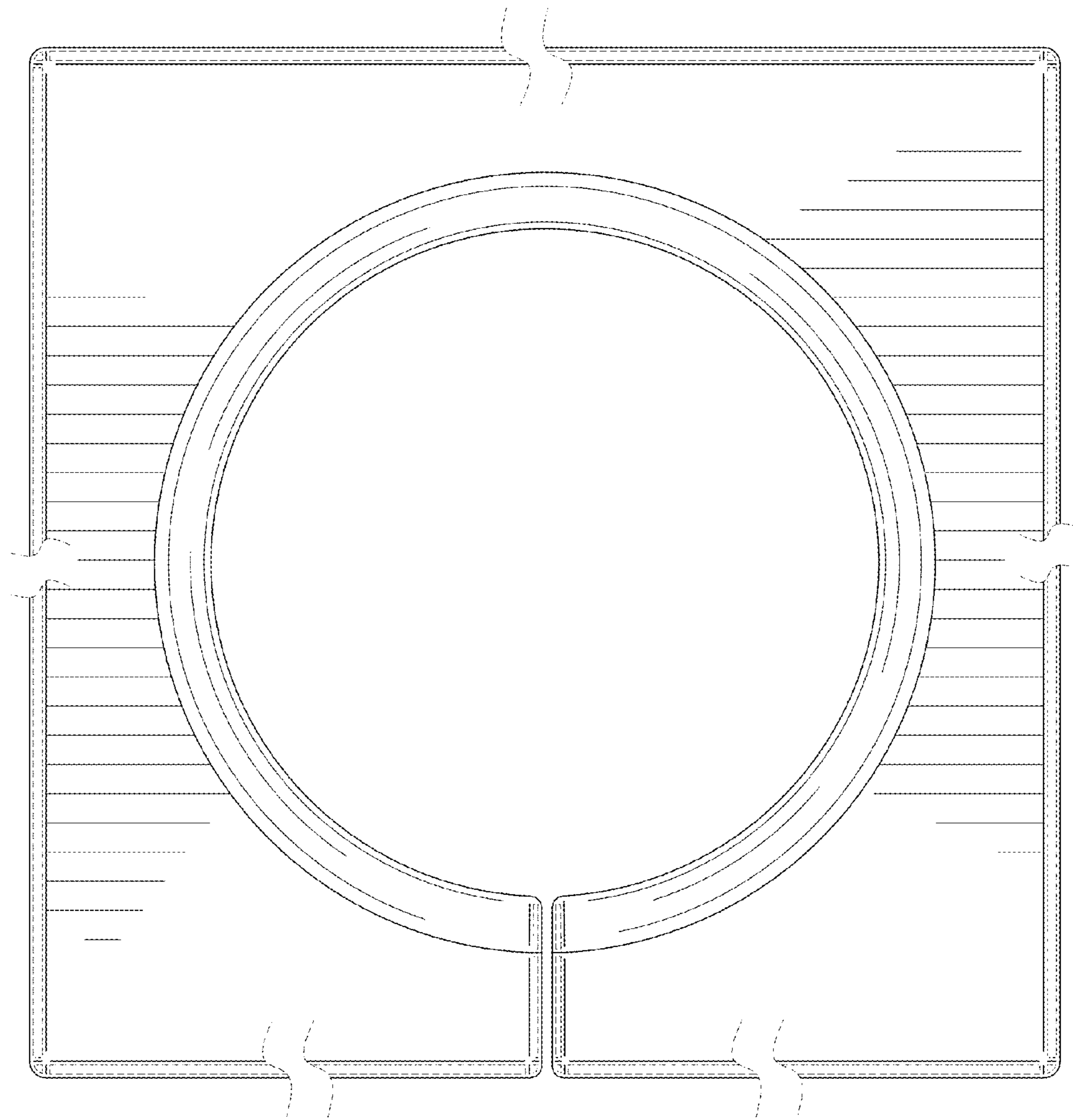


FIG. 11

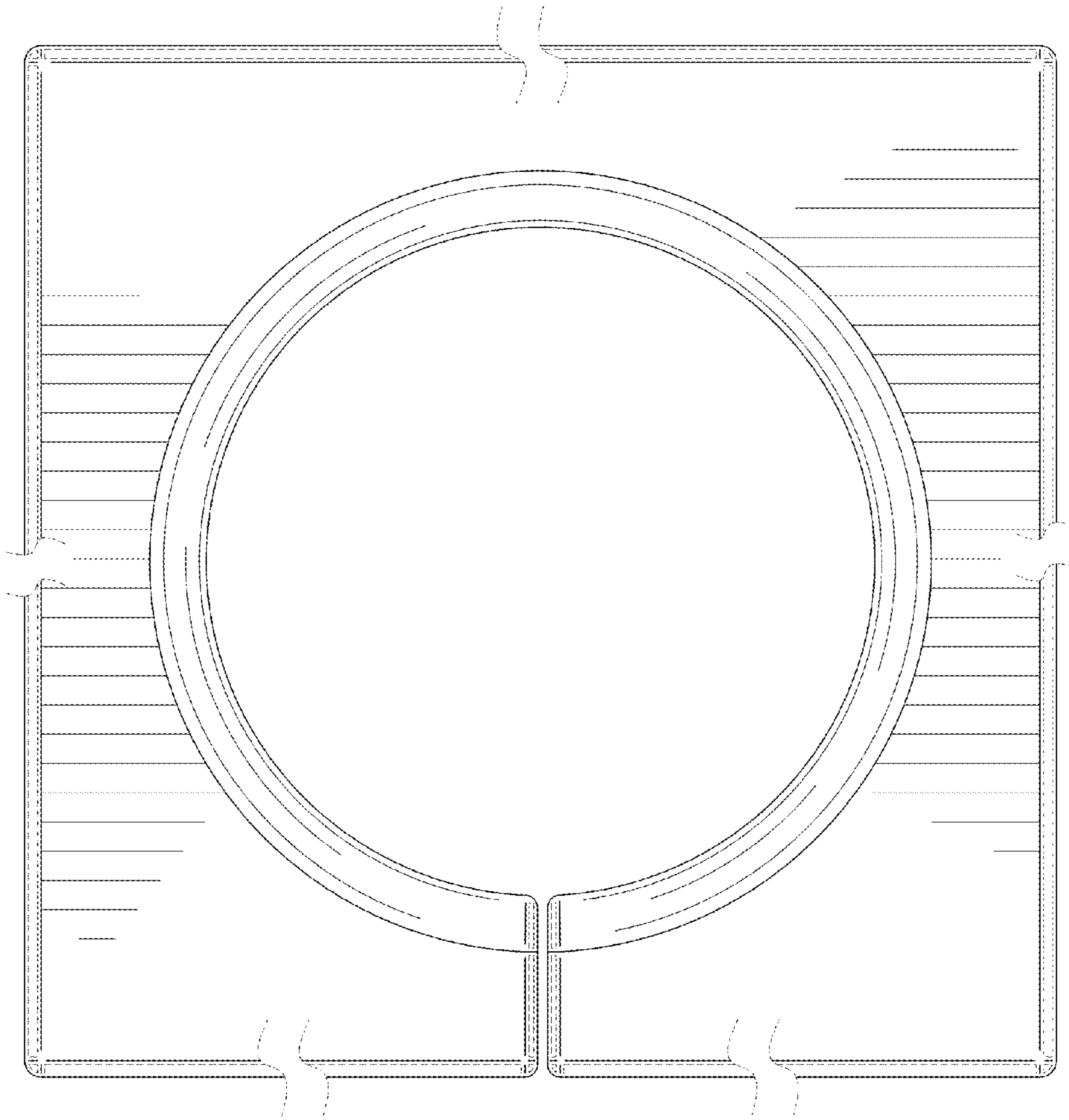


FIG. 12

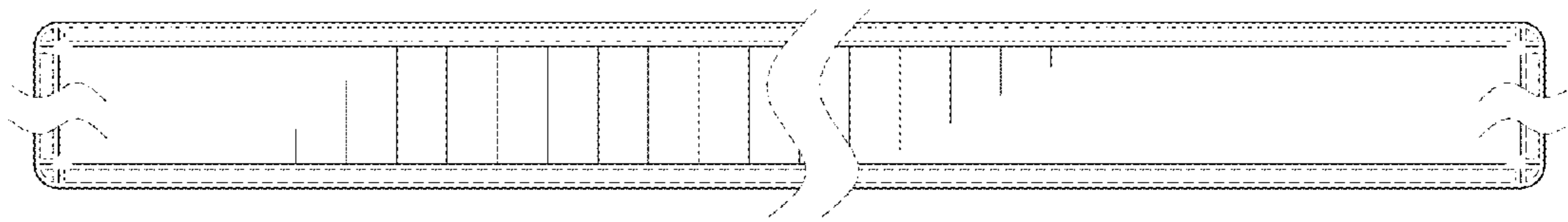


FIG. 13

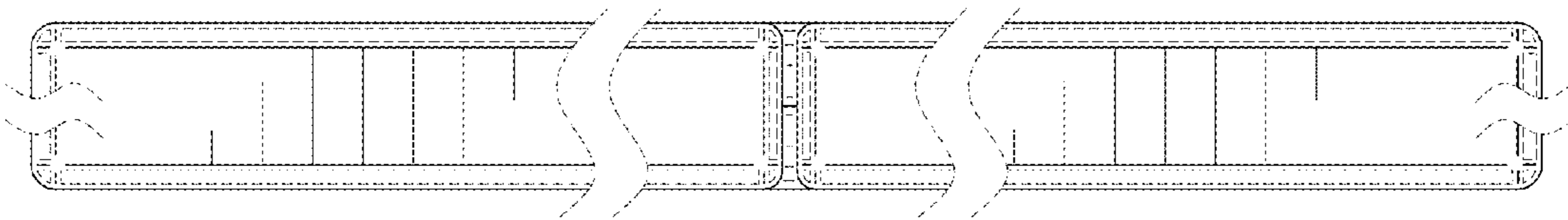


FIG. 14

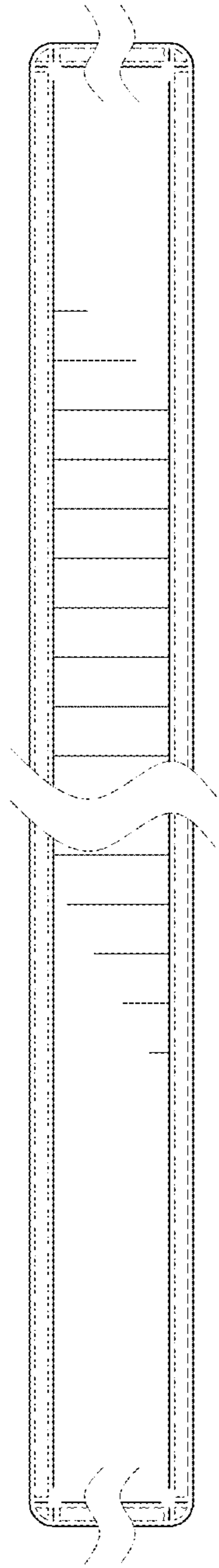


FIG. 15

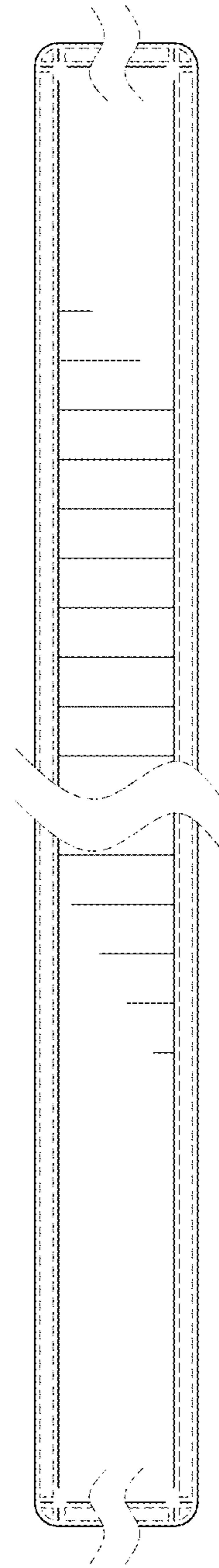


FIG. 16

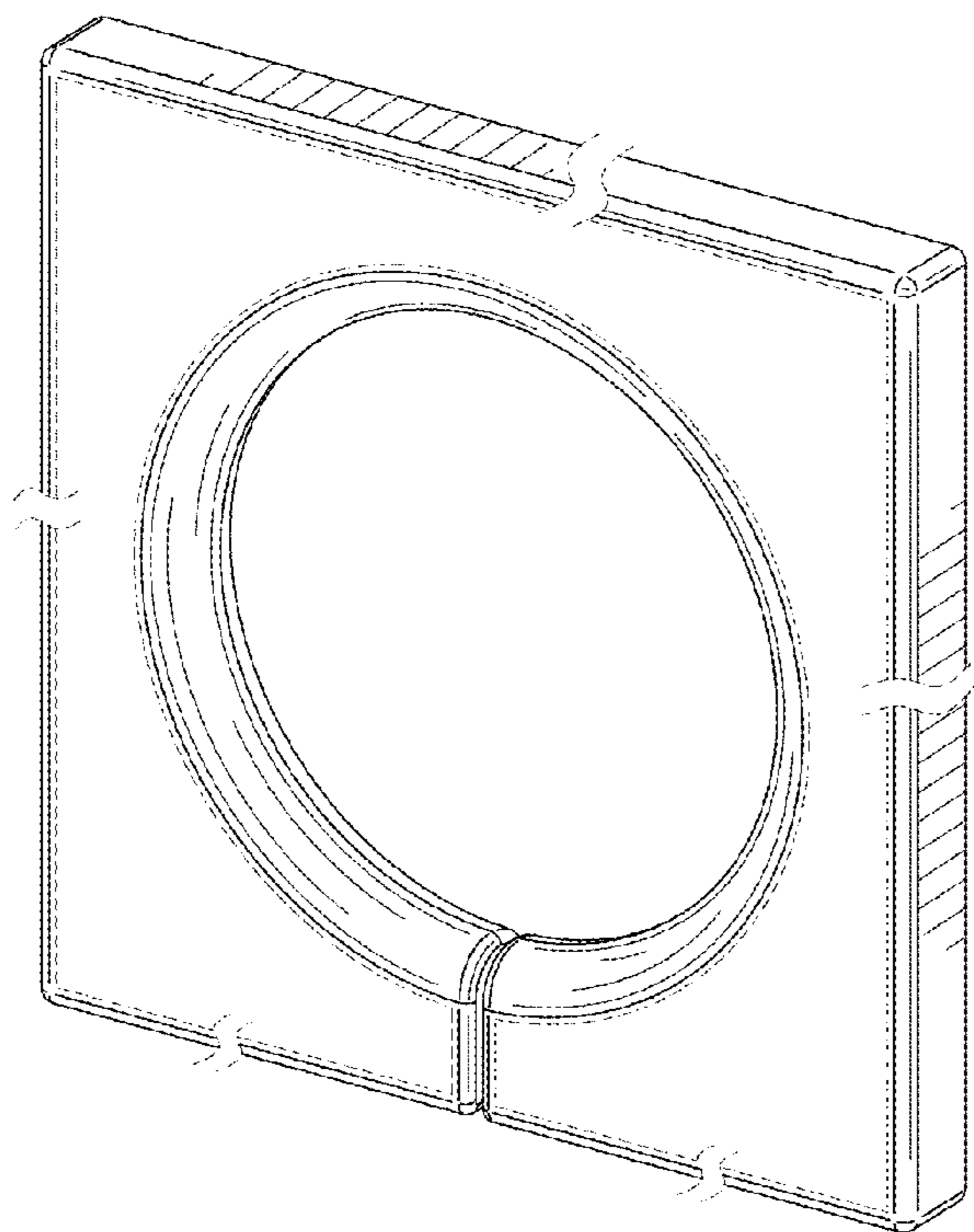


FIG. 17

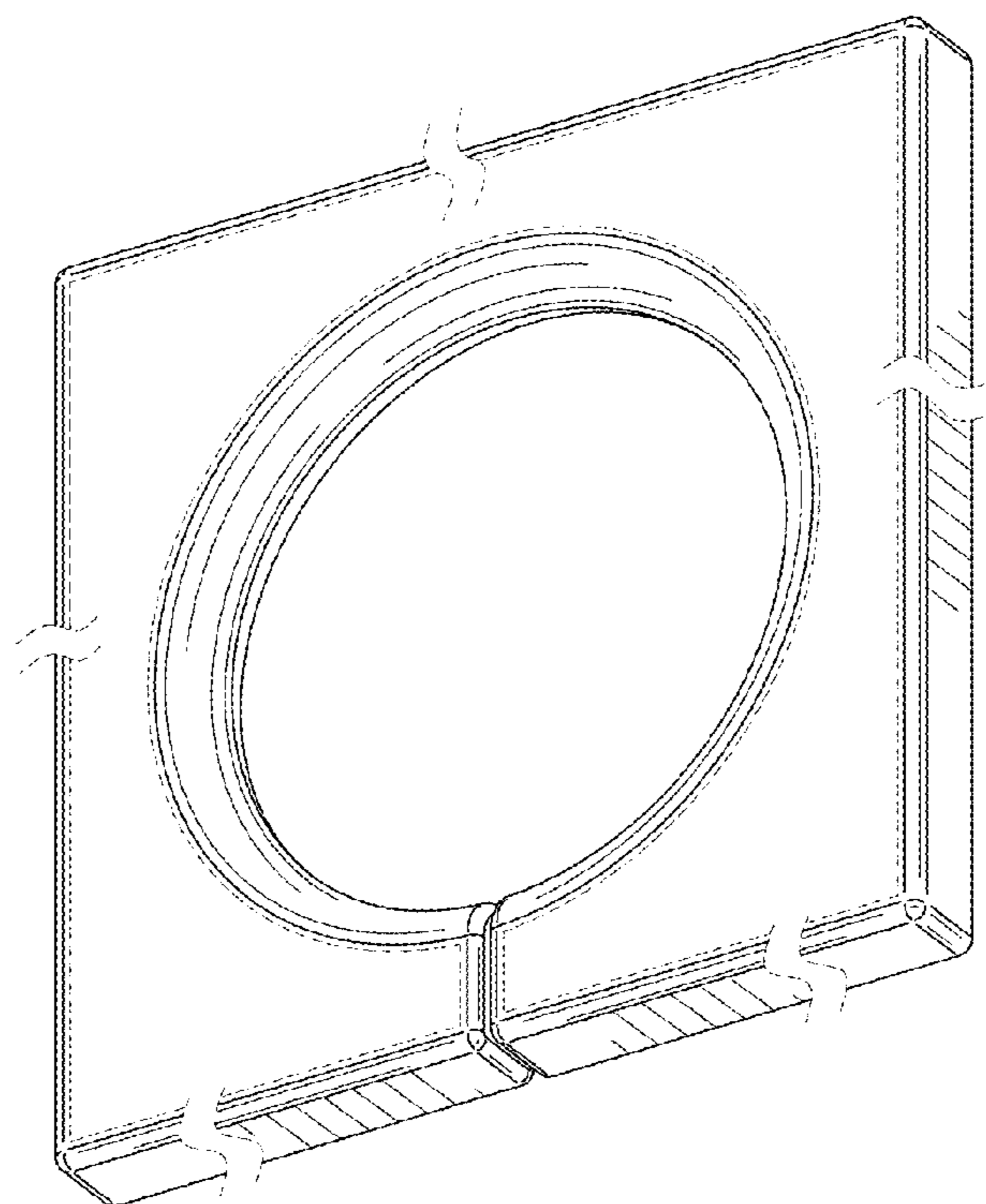


FIG. 18

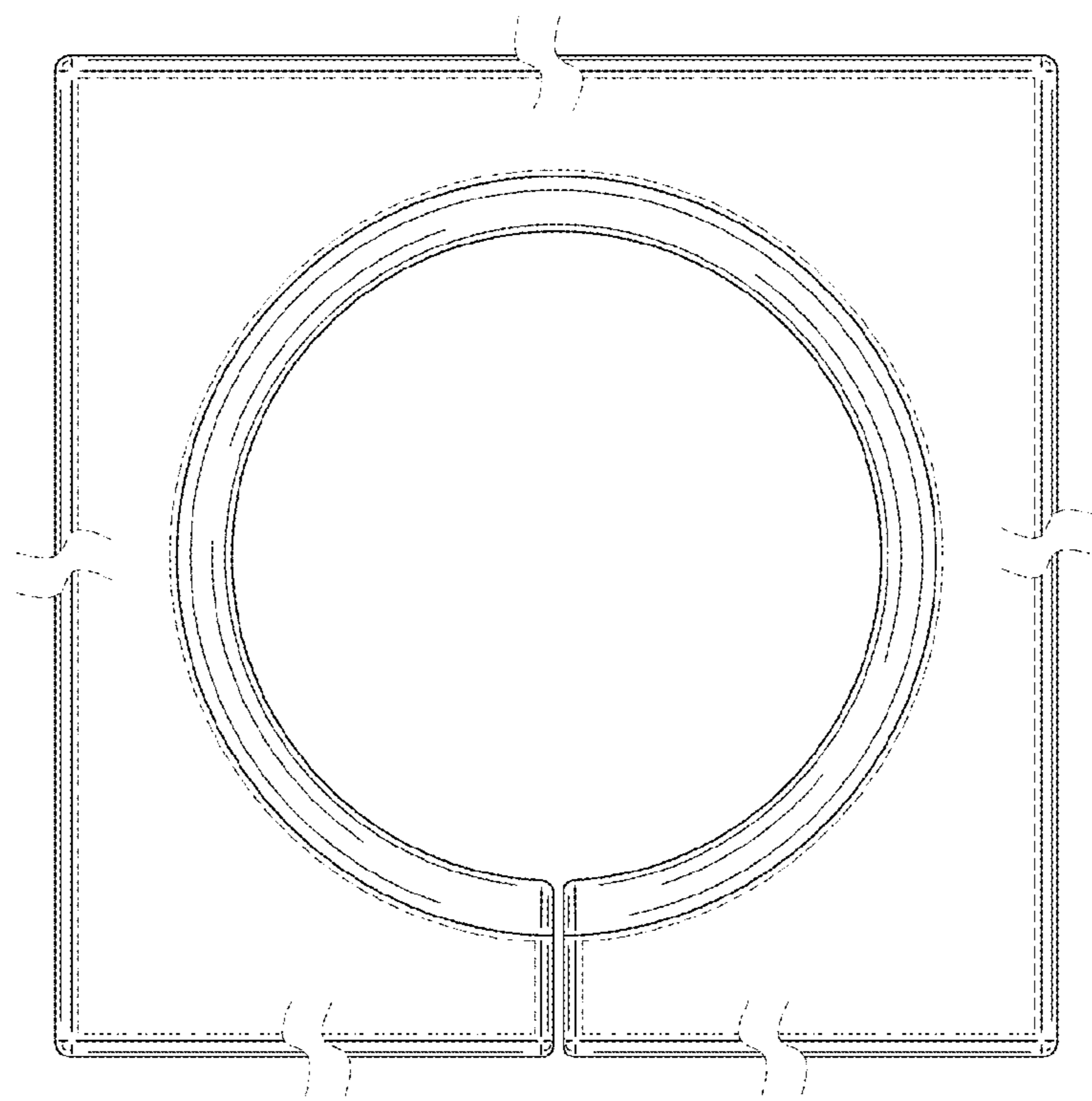


FIG. 19

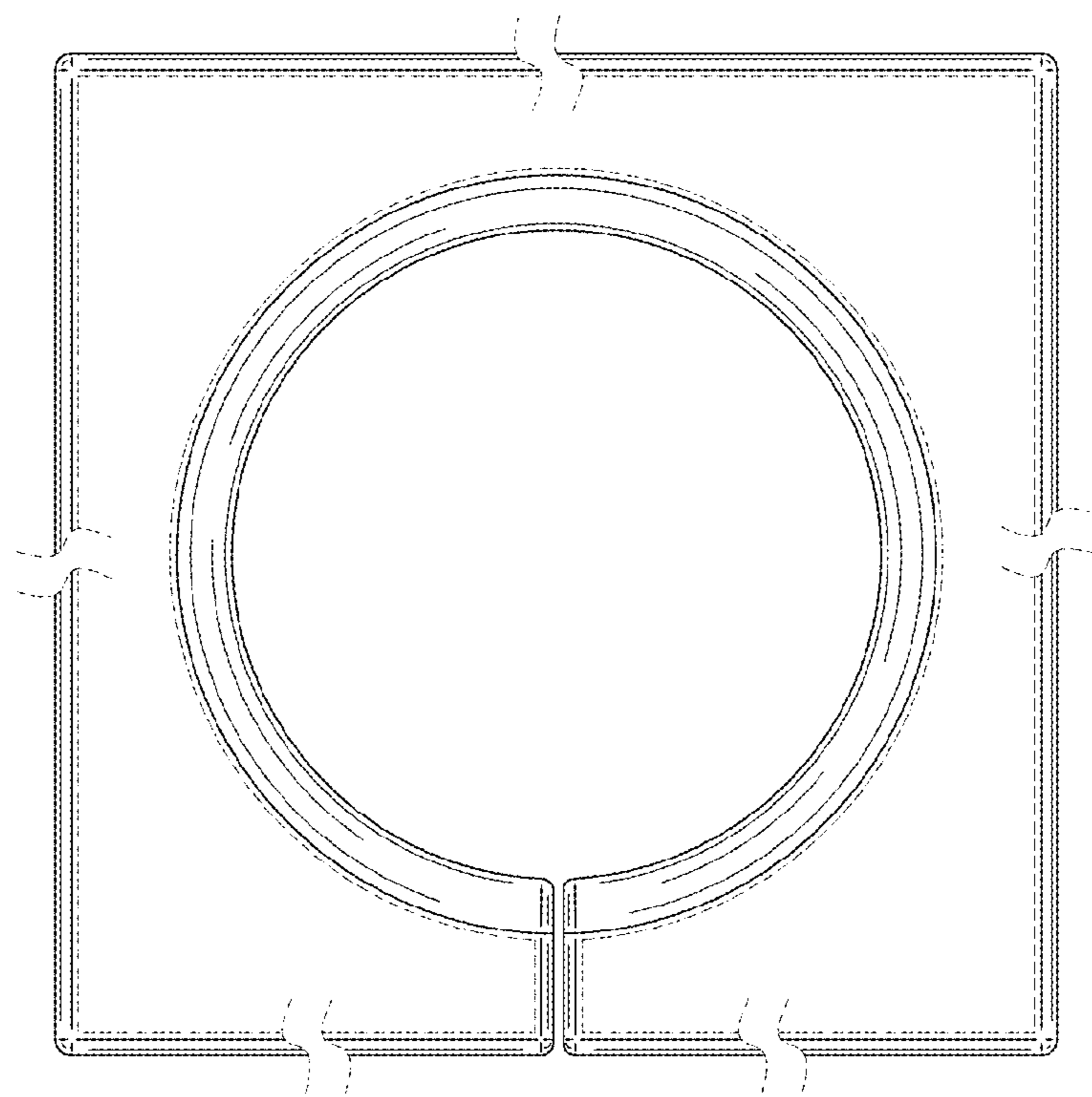


FIG. 20

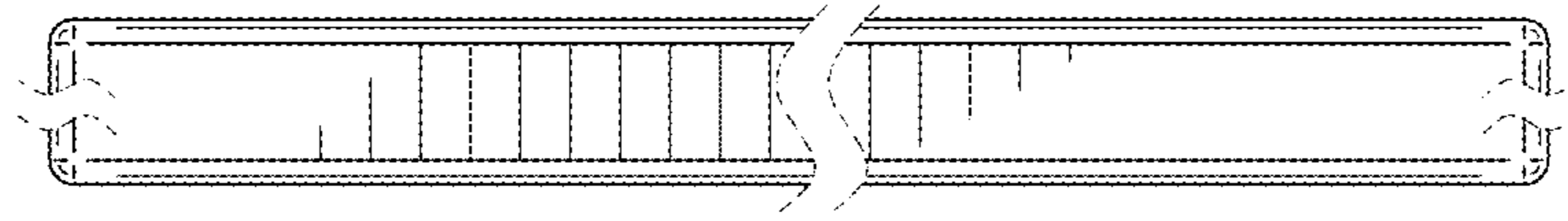


FIG. 21

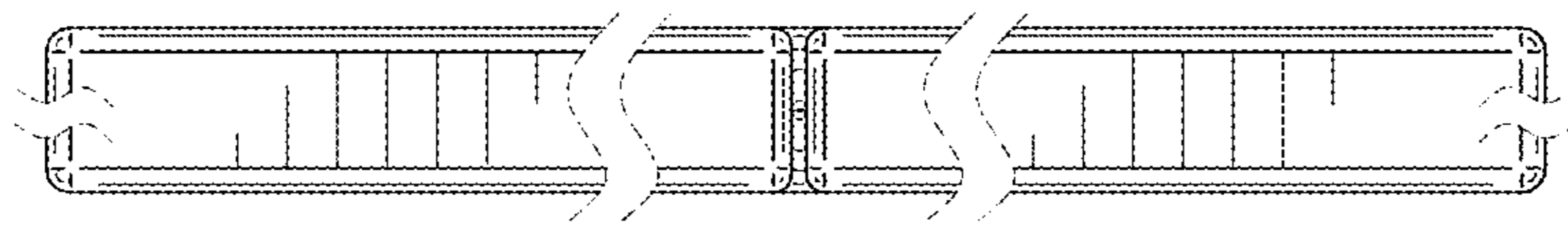


FIG. 22

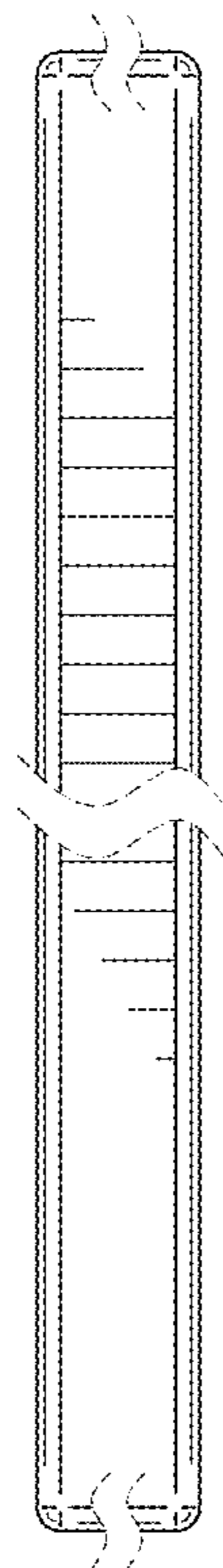


FIG. 23

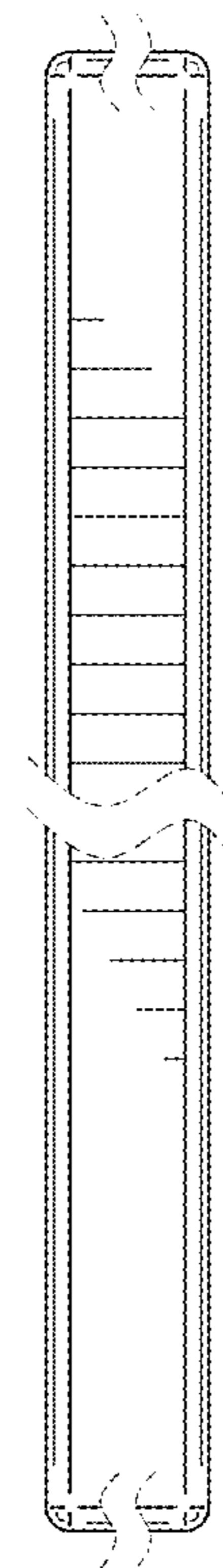


FIG. 24

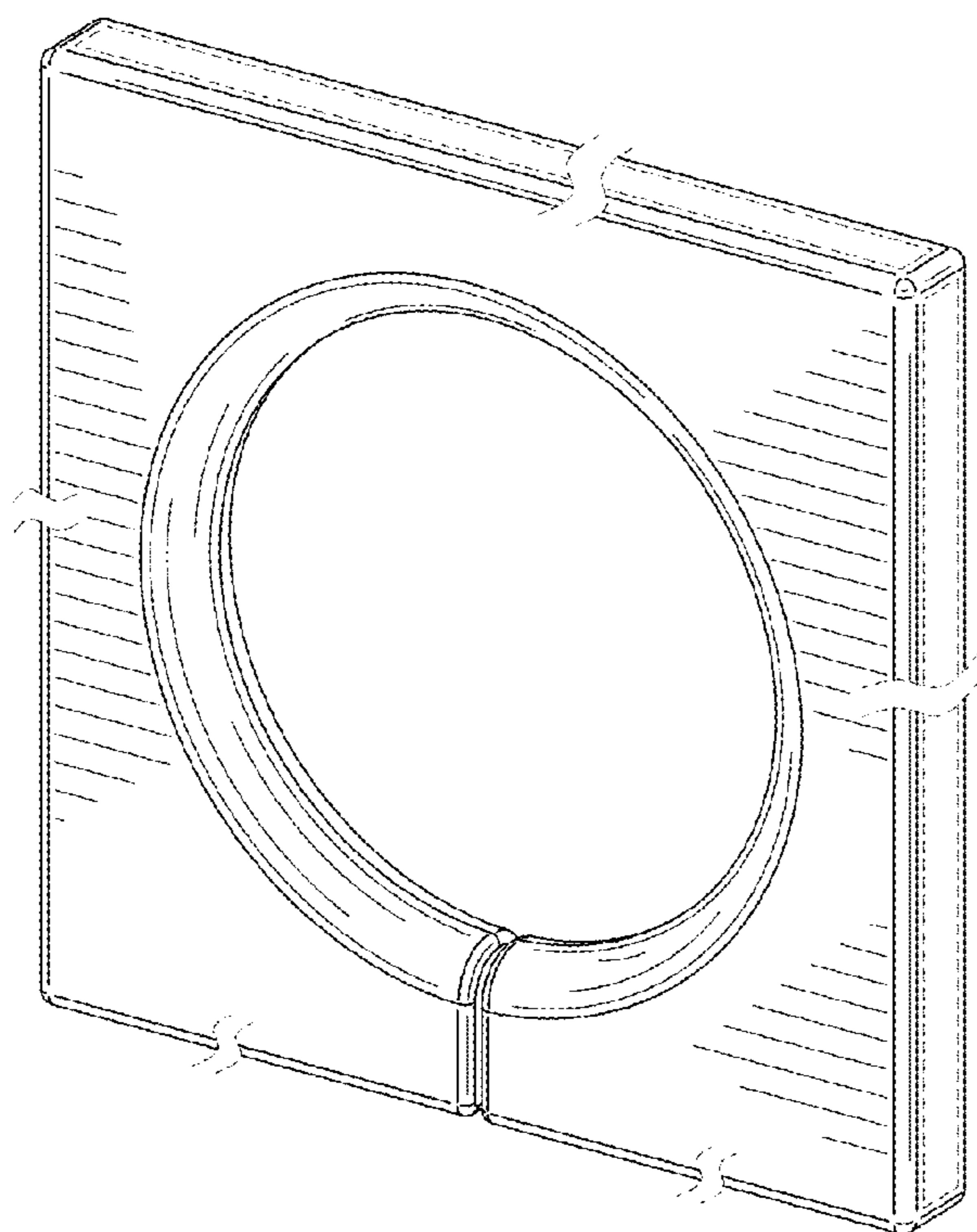


FIG. 25

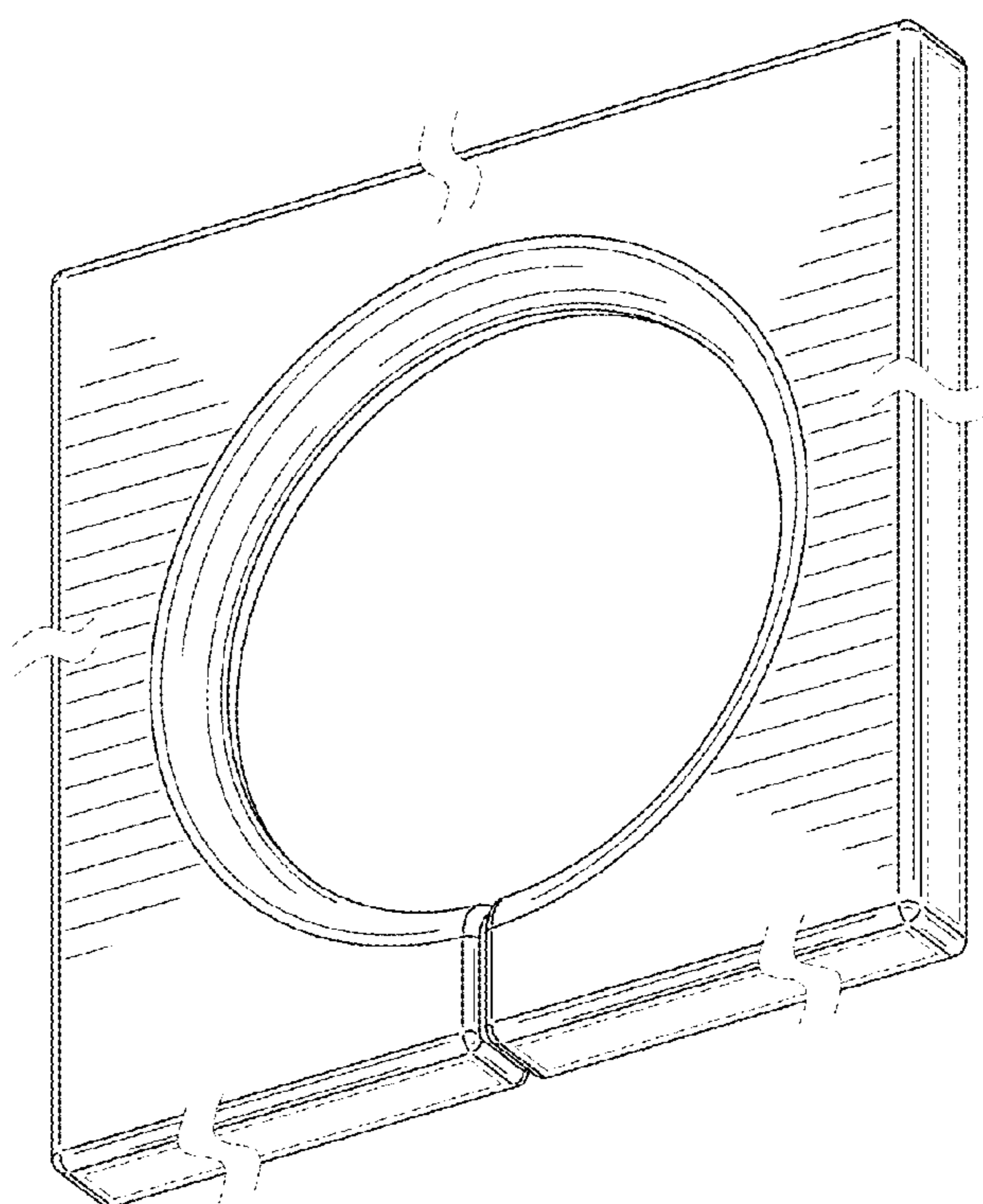


FIG. 26

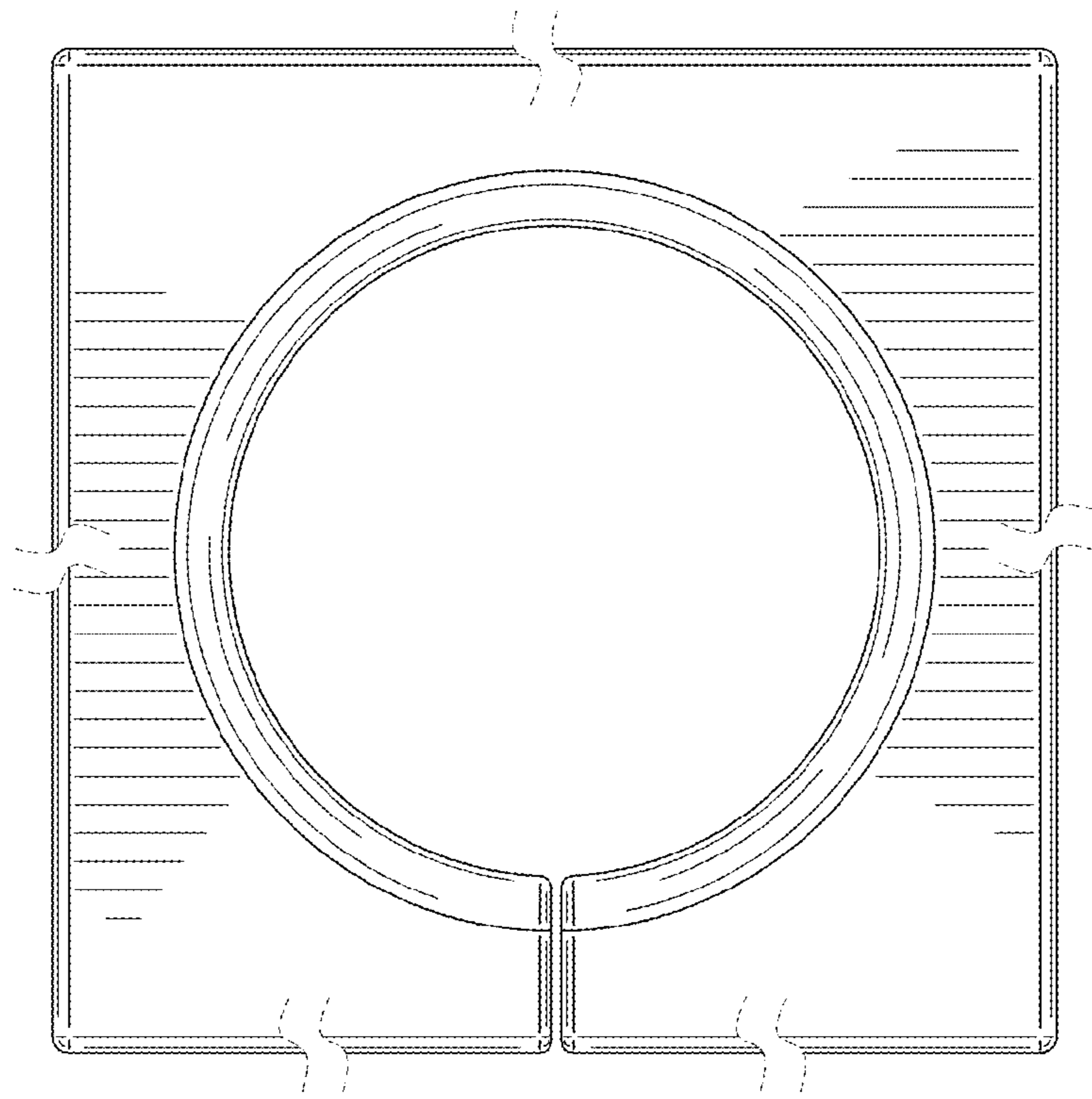


FIG. 27

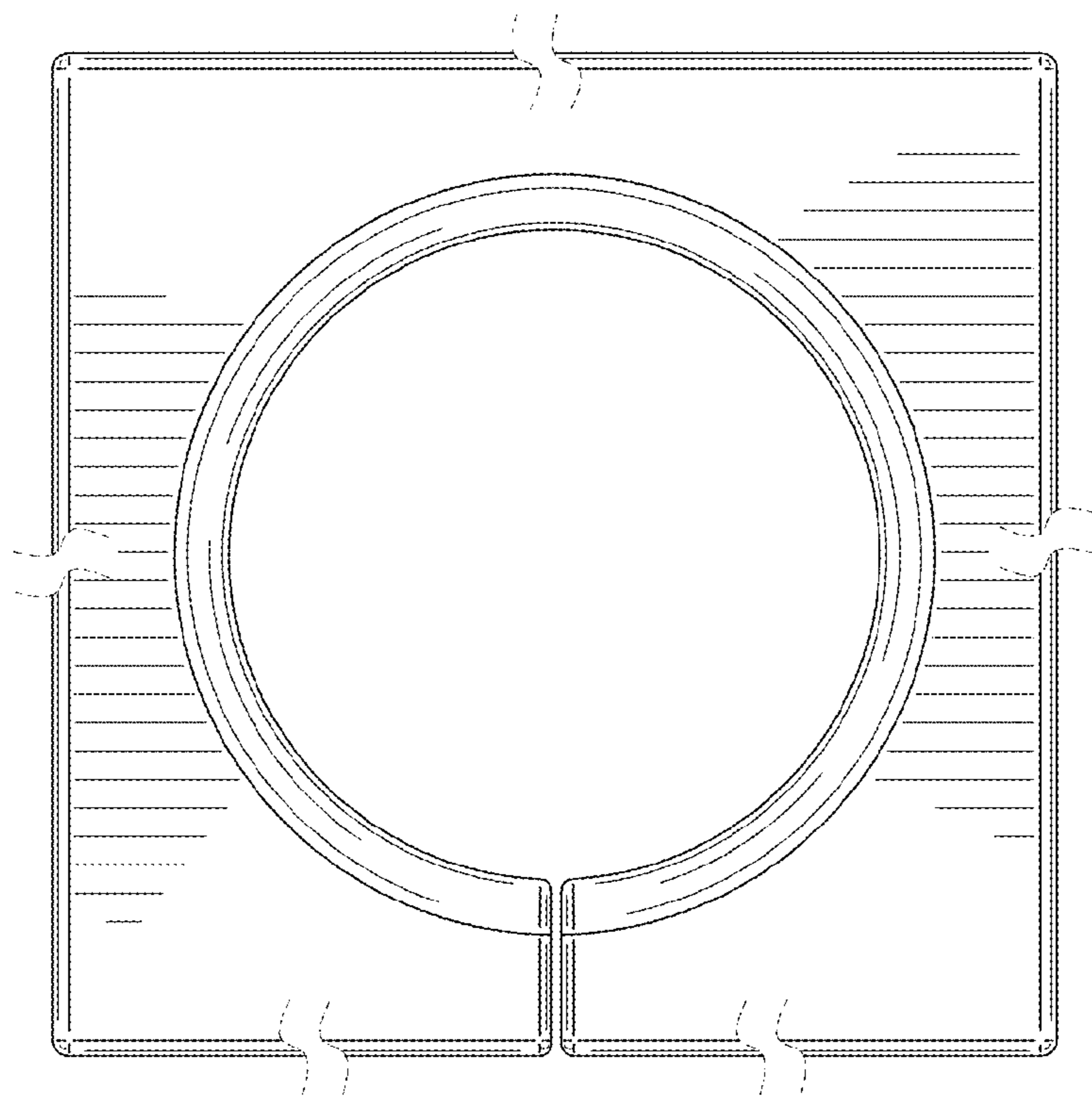


FIG. 28

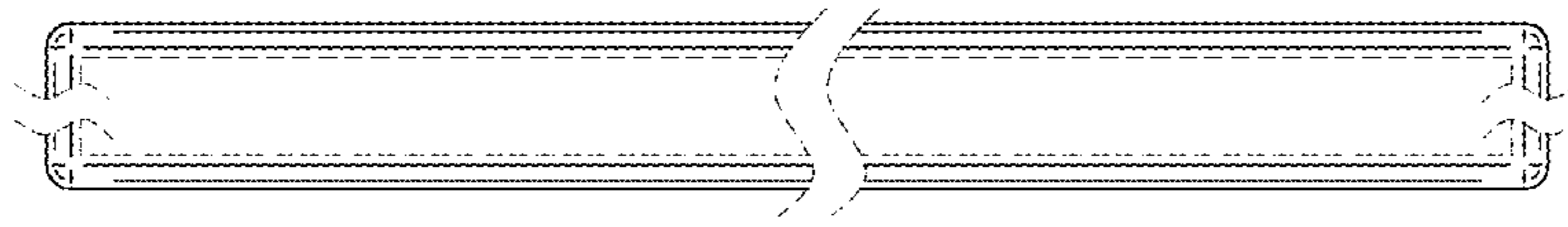


FIG. 29

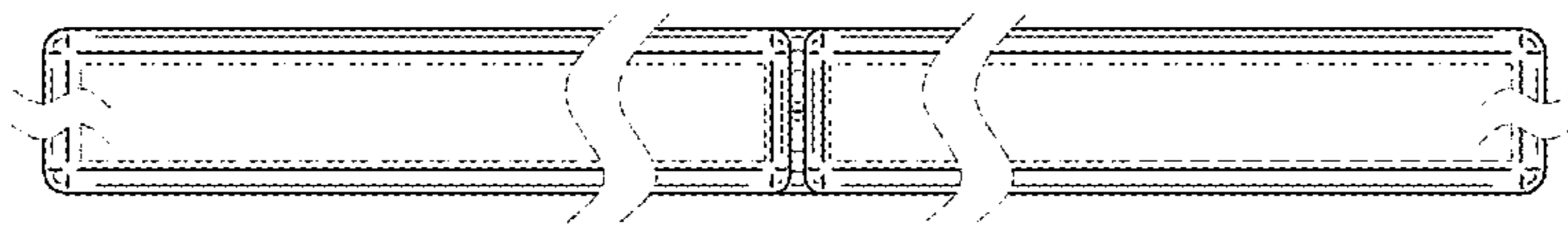


FIG. 30

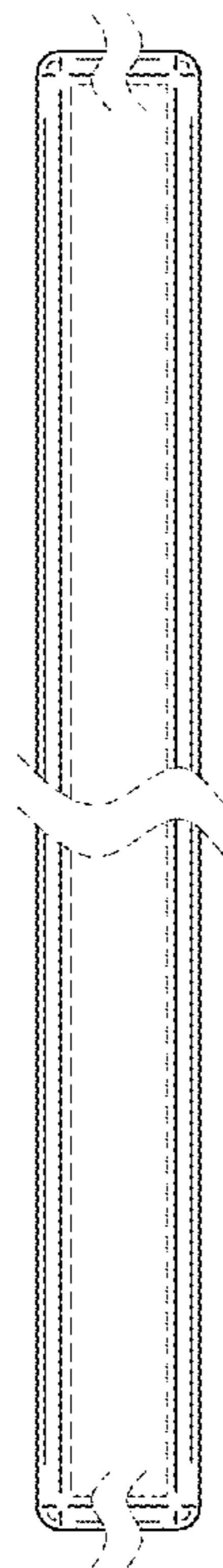


FIG. 31

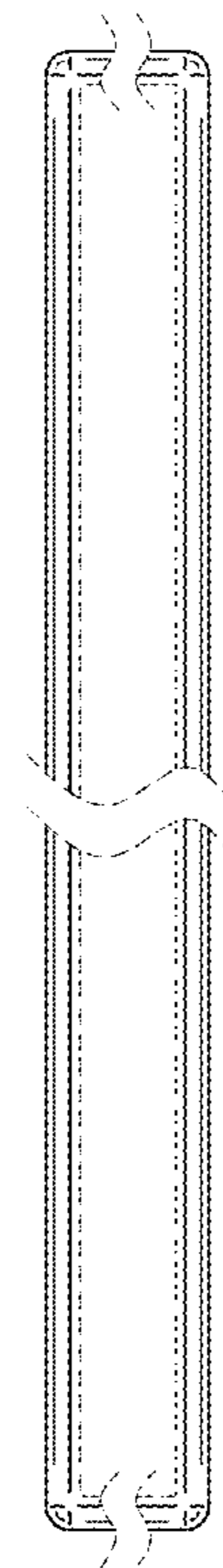


FIG. 32

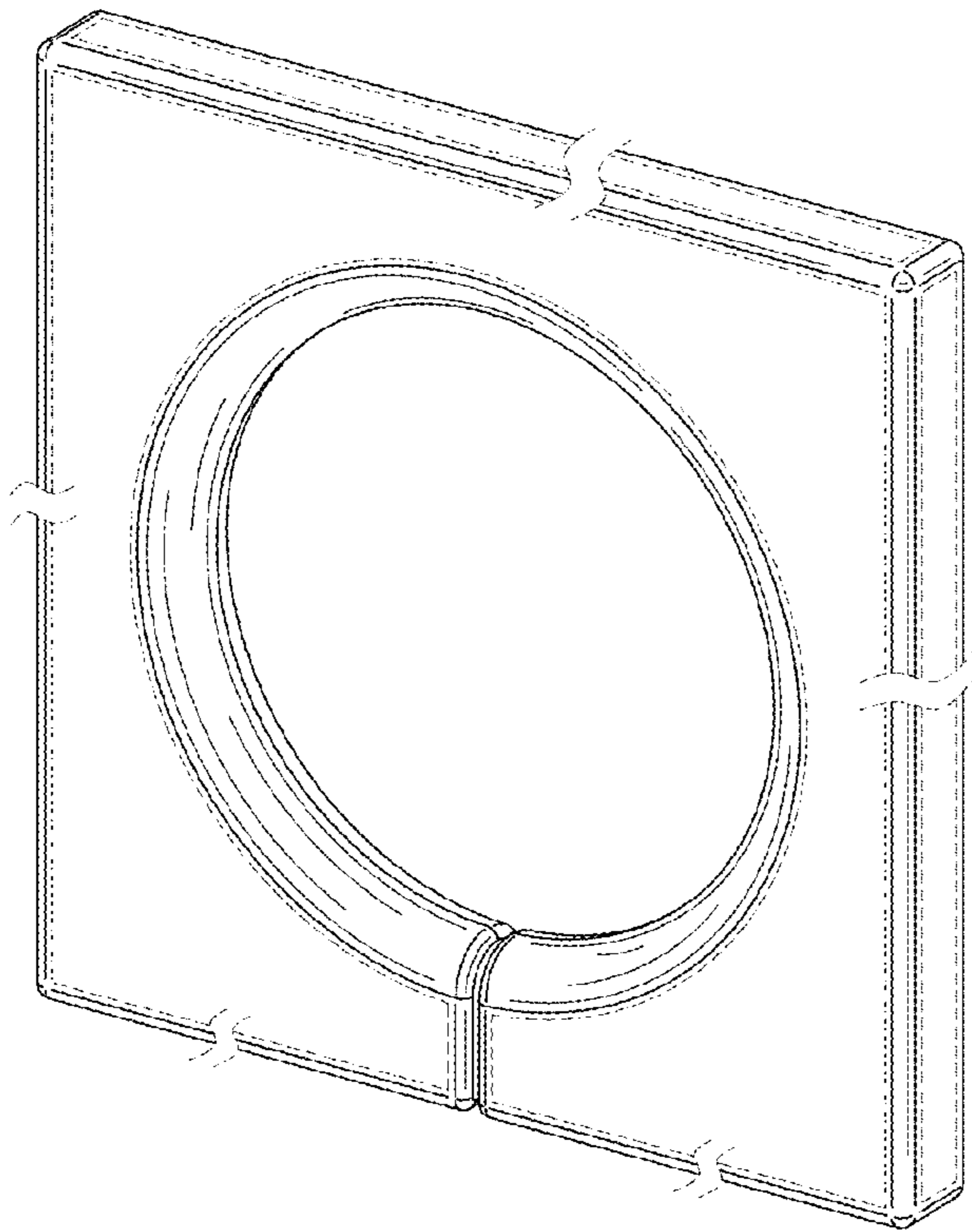


FIG. 33

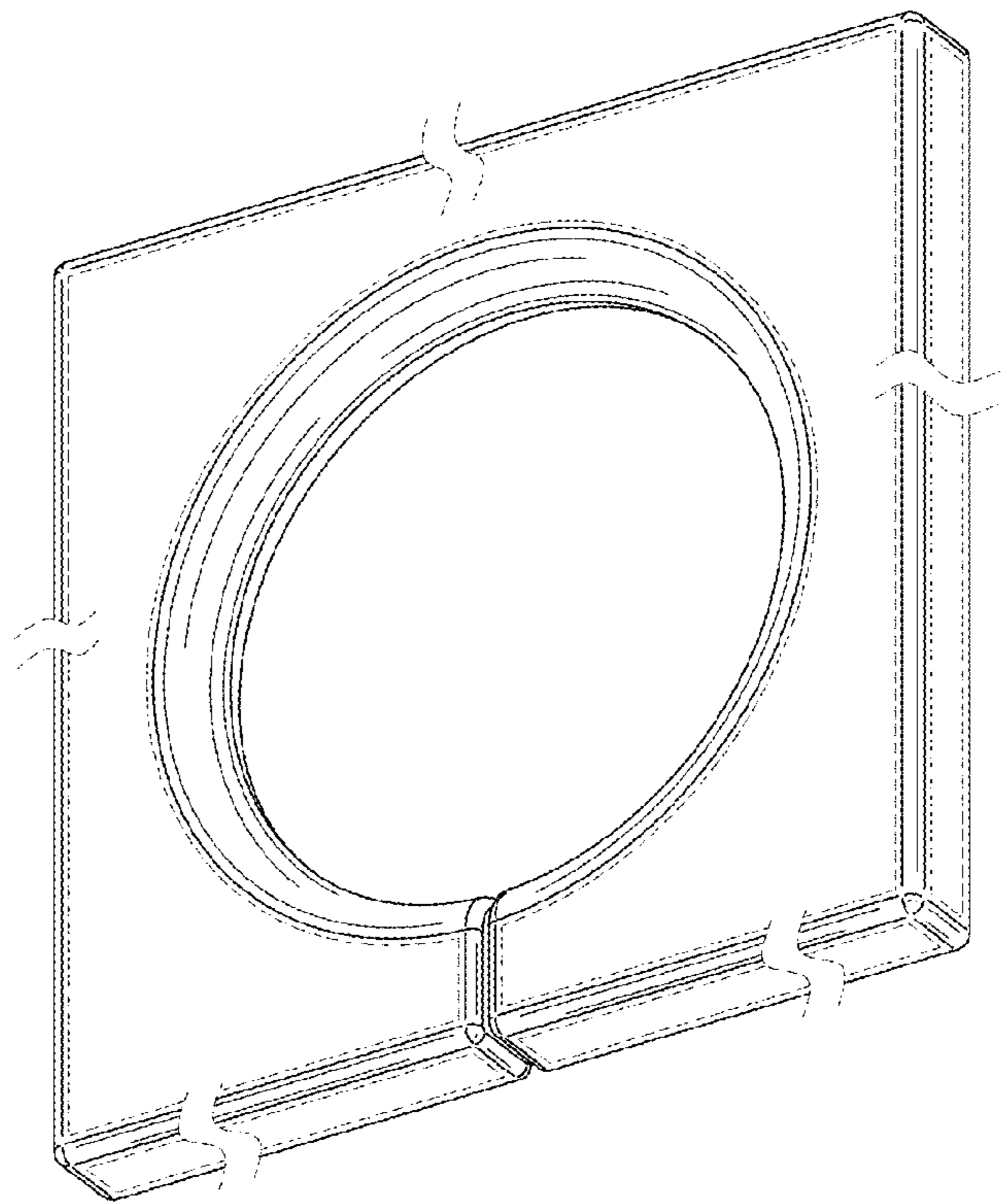


FIG. 34

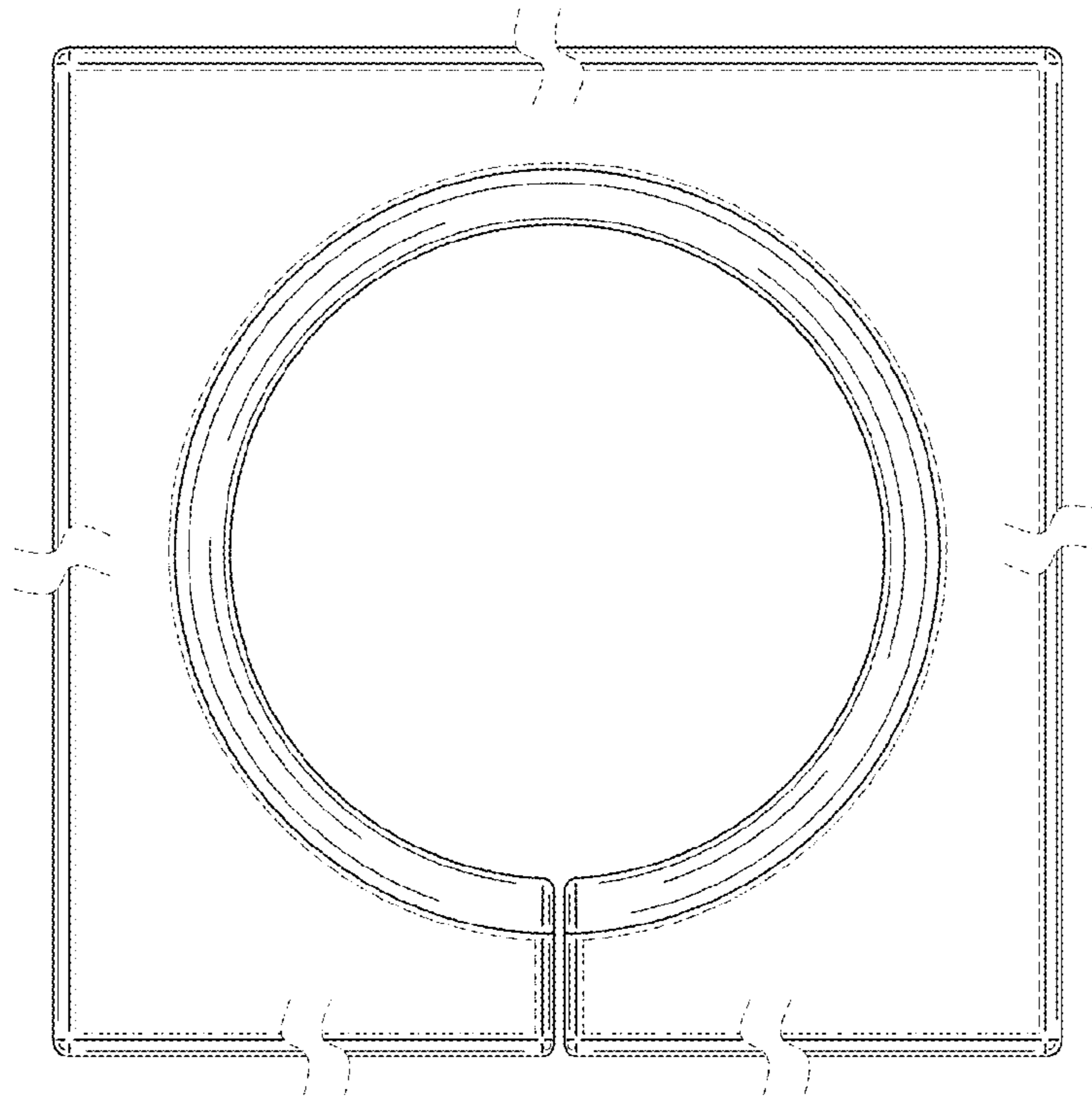


FIG. 35

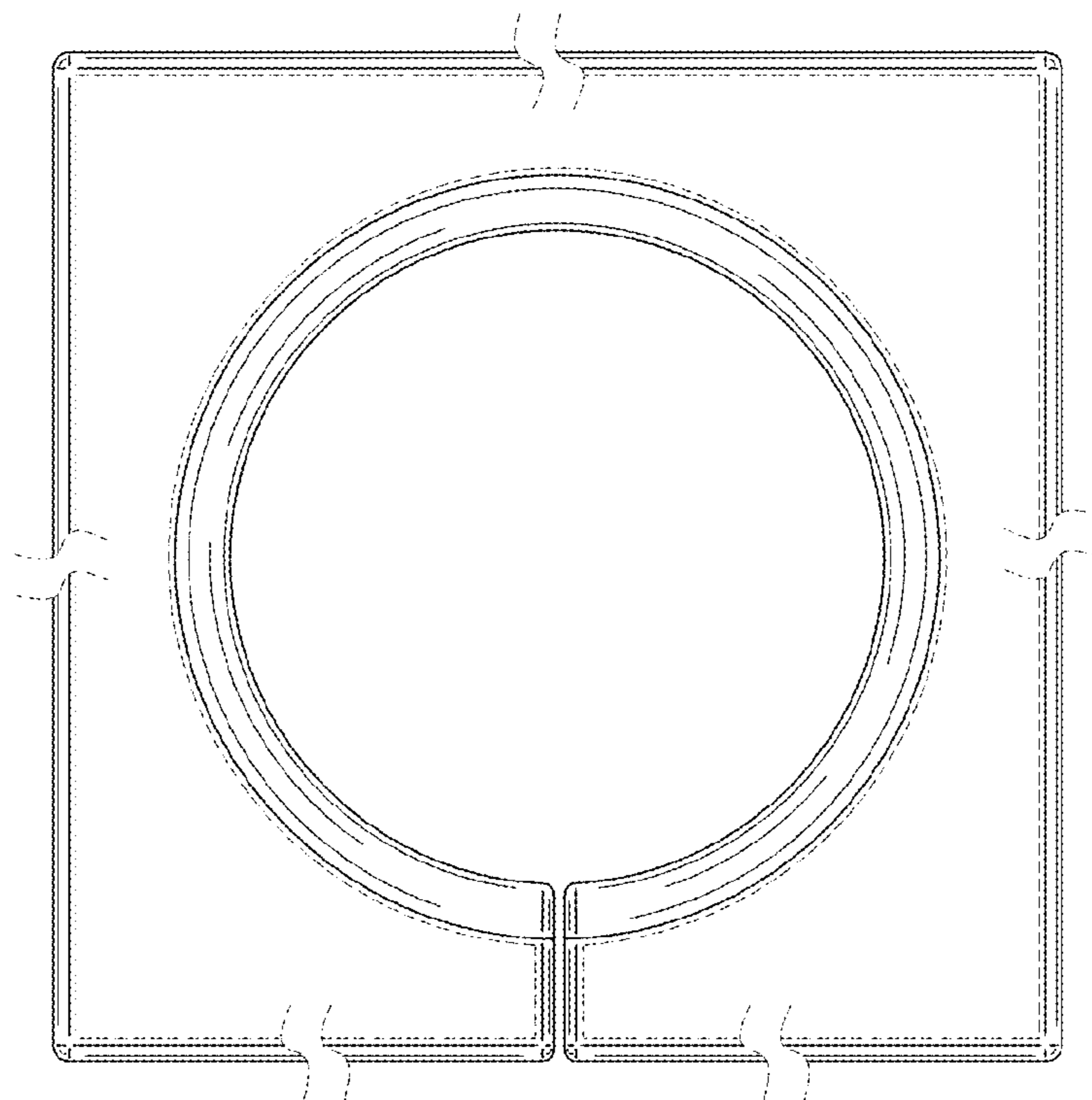


FIG. 36

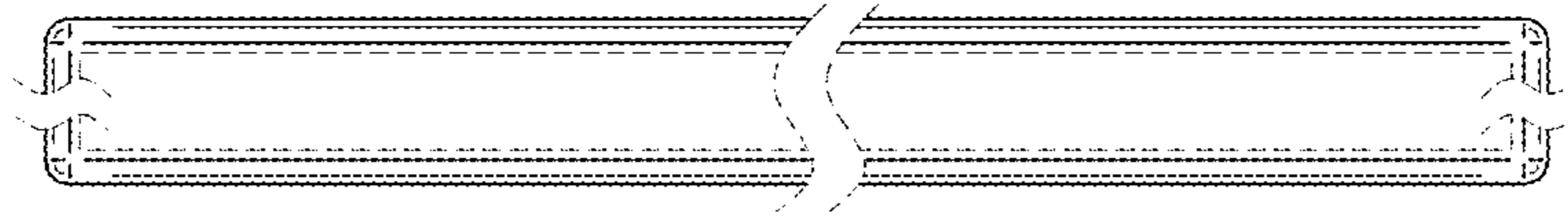


FIG. 37

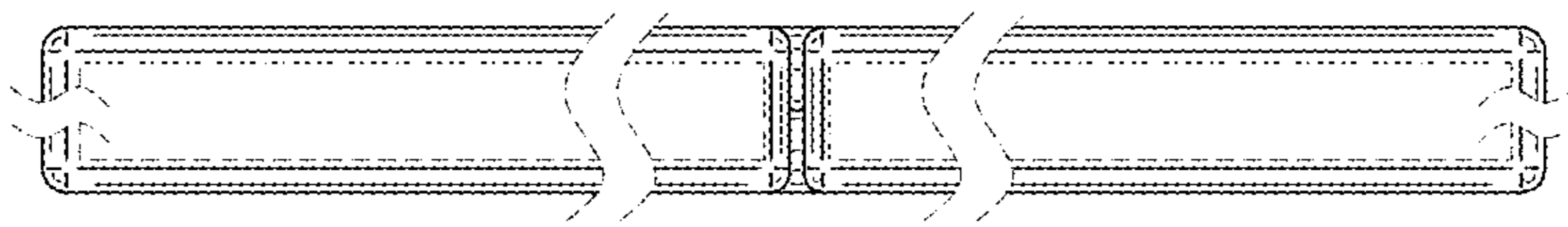


FIG. 38

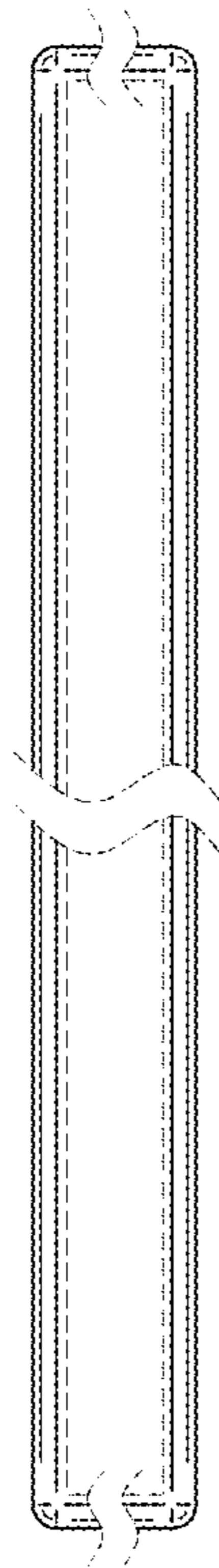


FIG. 39



FIG. 40

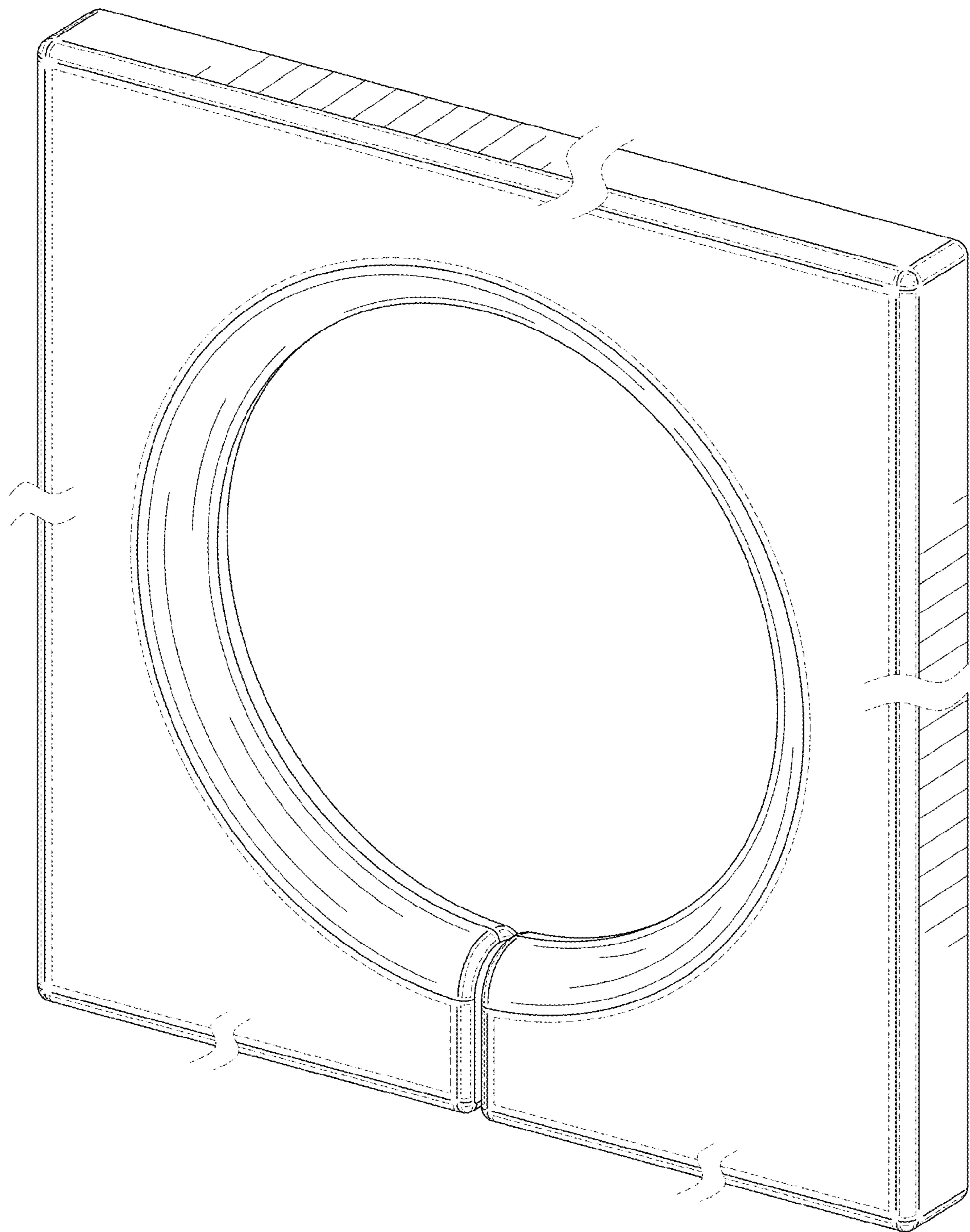


FIG. 41

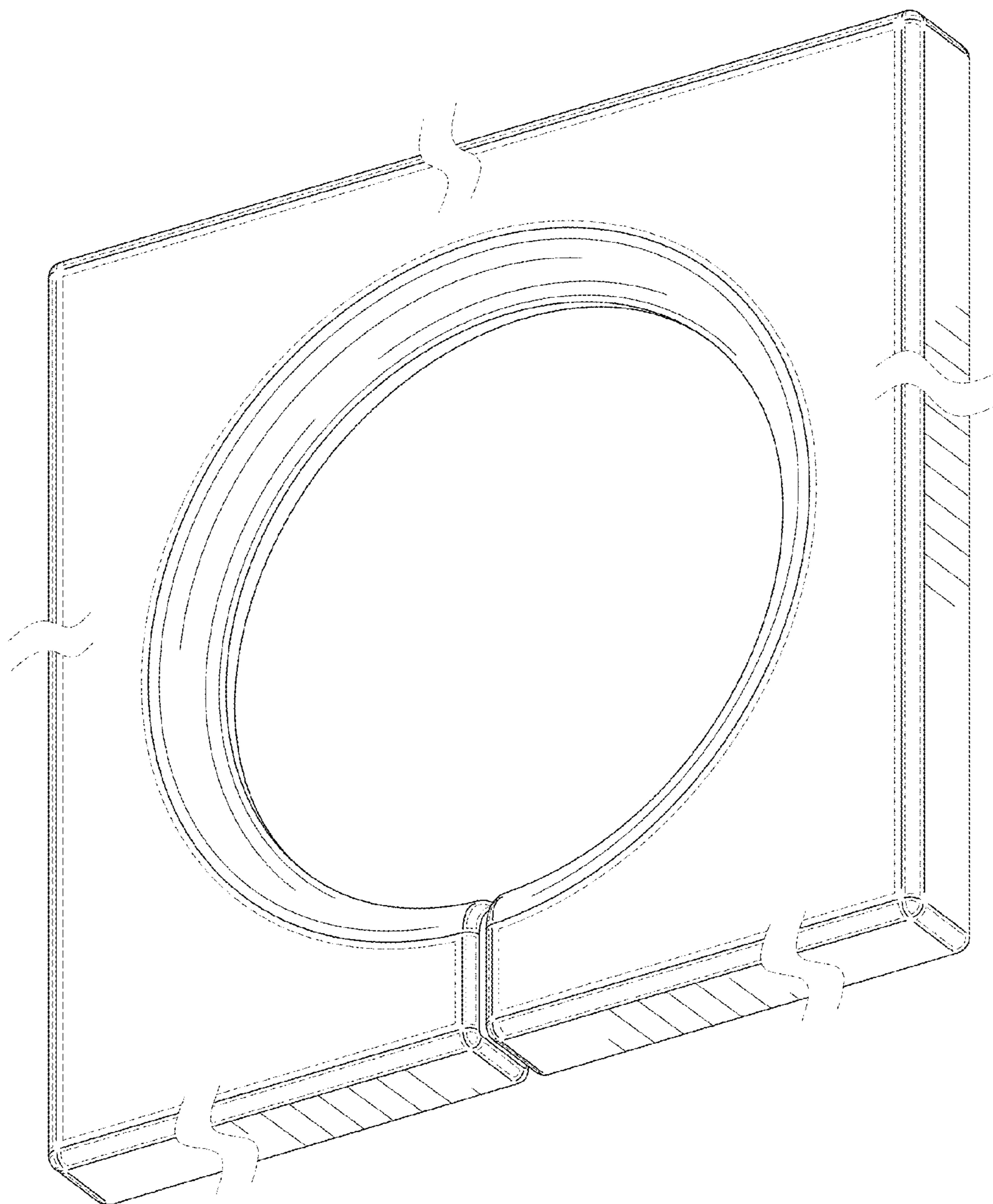


FIG. 42

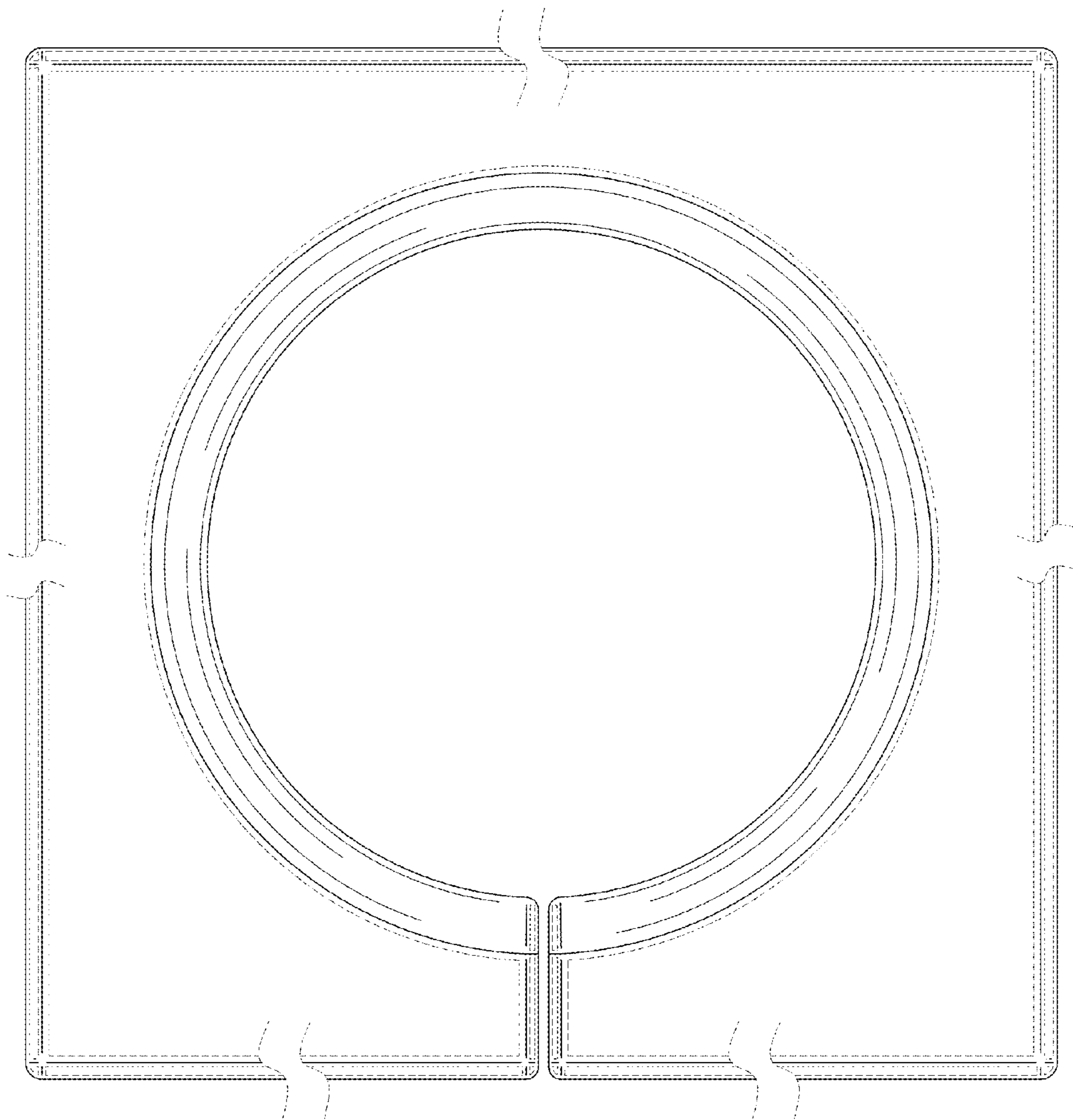


FIG. 43

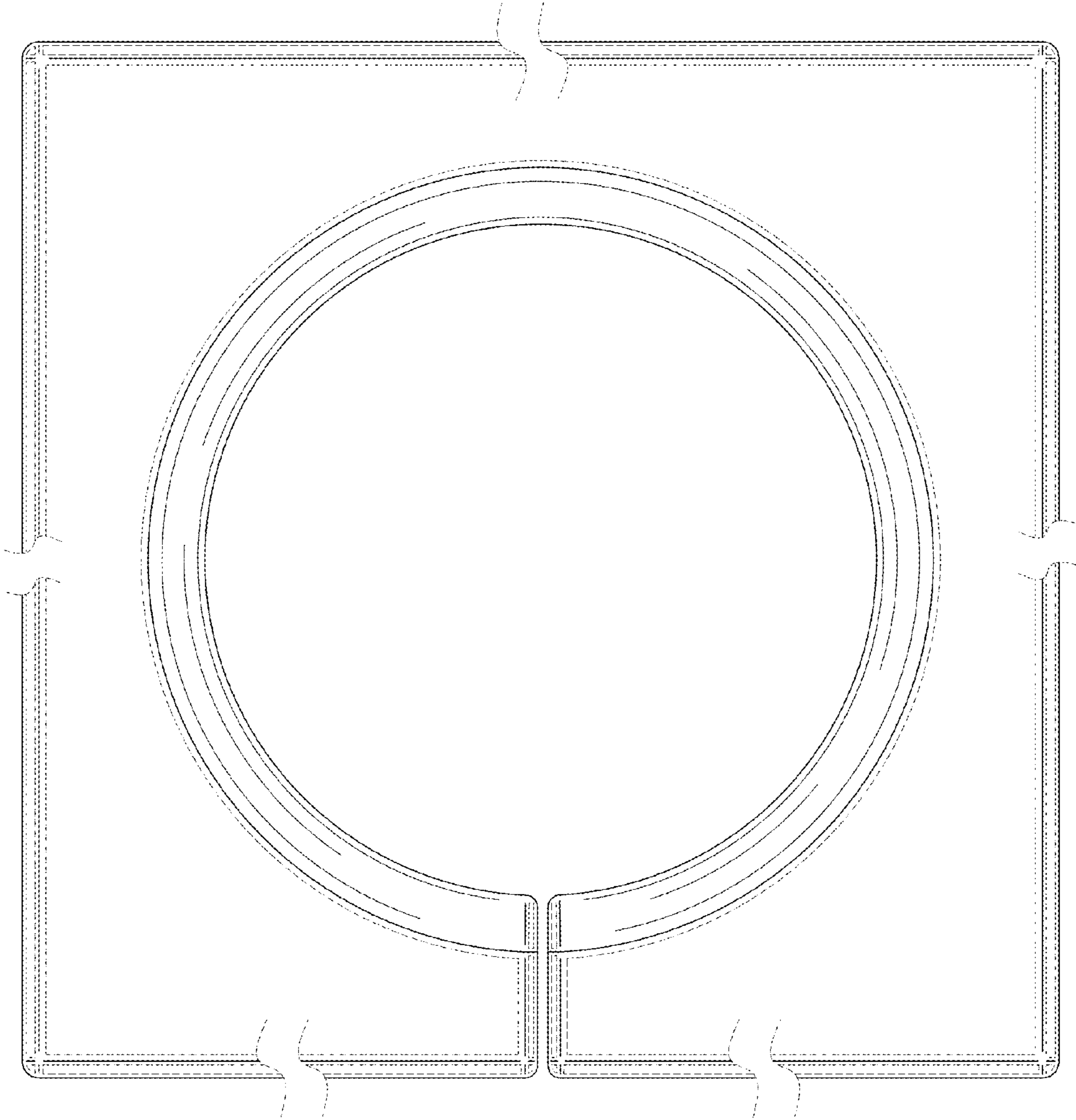


FIG. 44

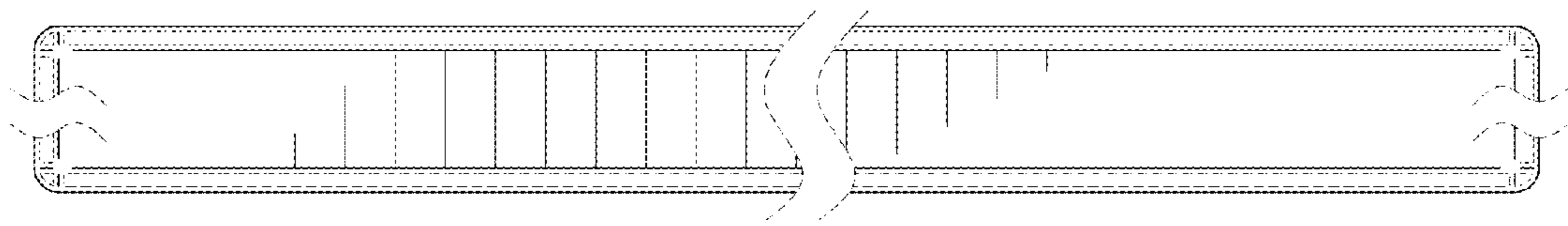


FIG. 45

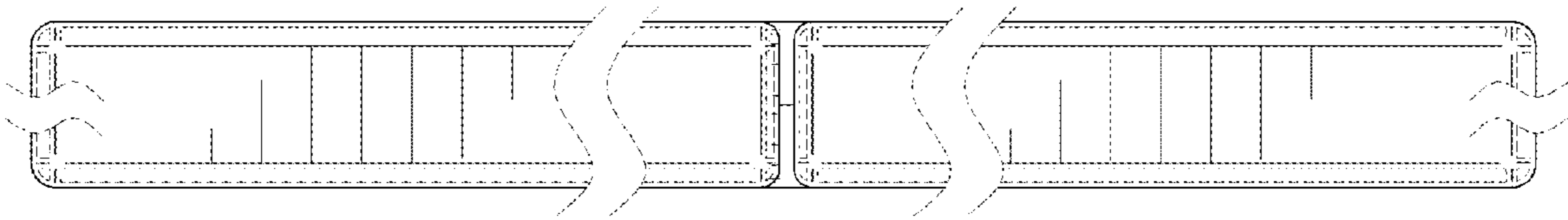


FIG. 46

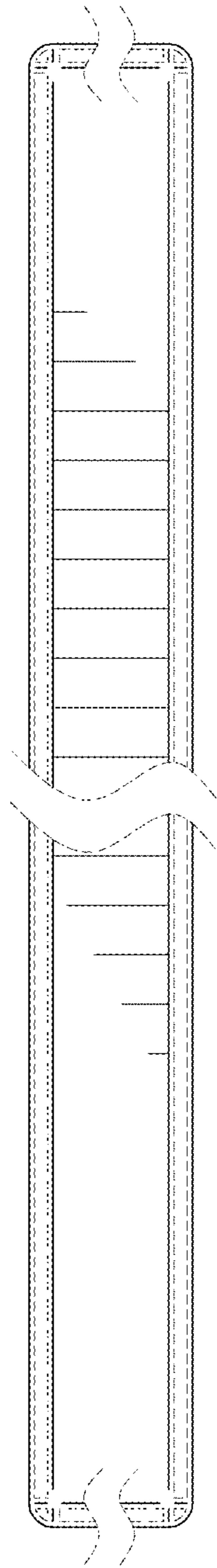


FIG. 47

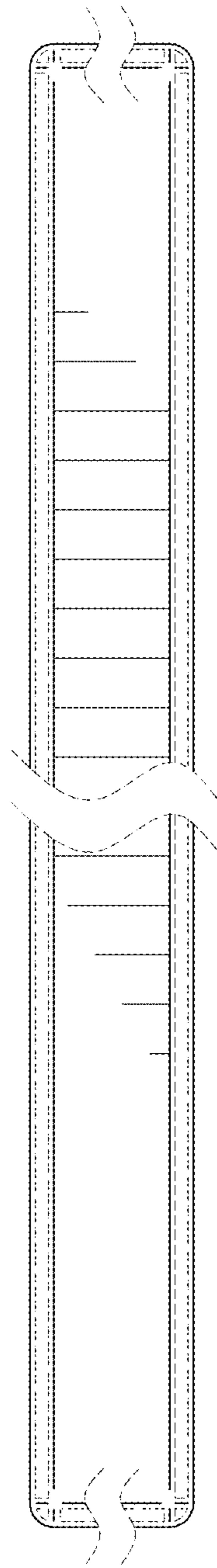


FIG. 48

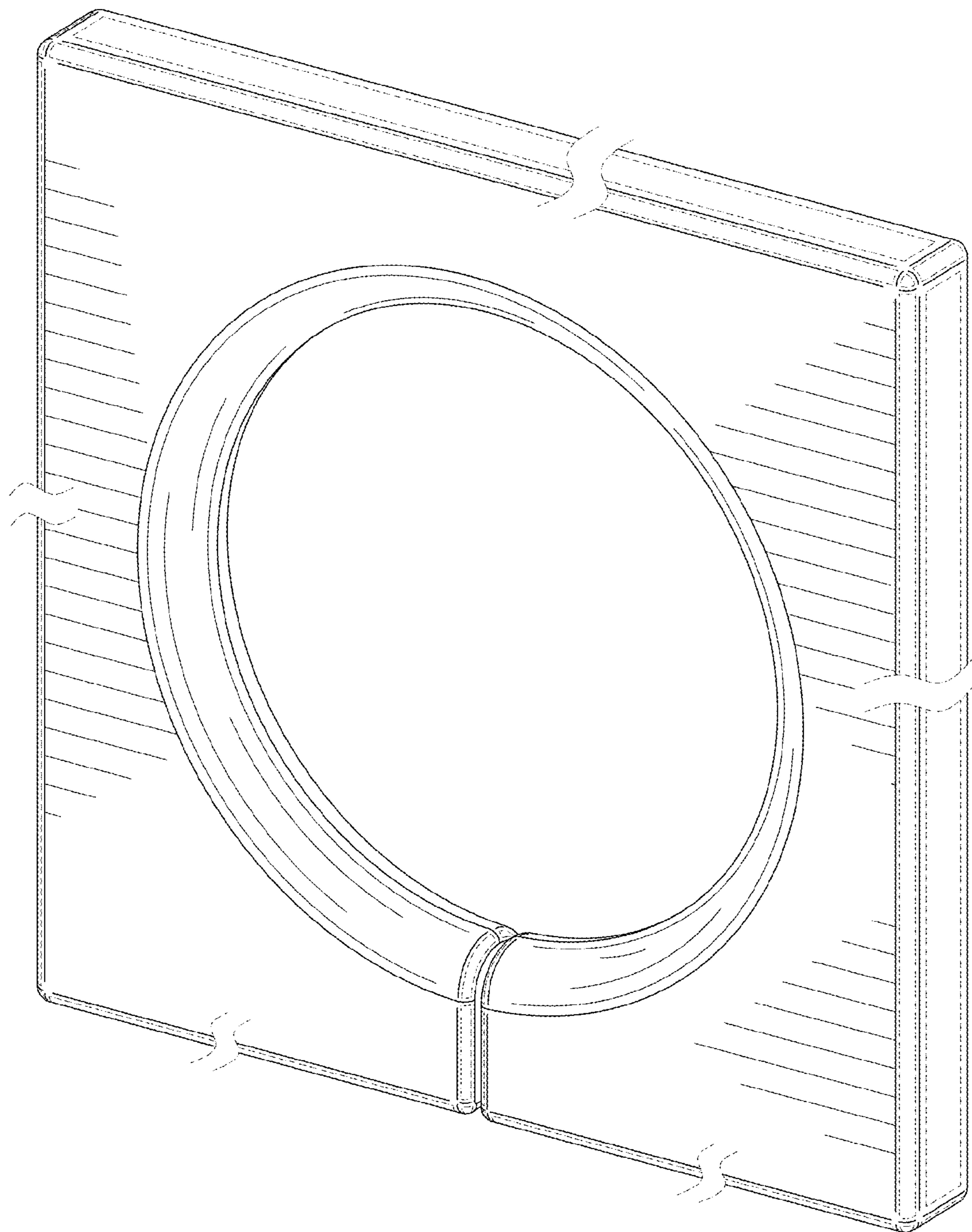


FIG. 49

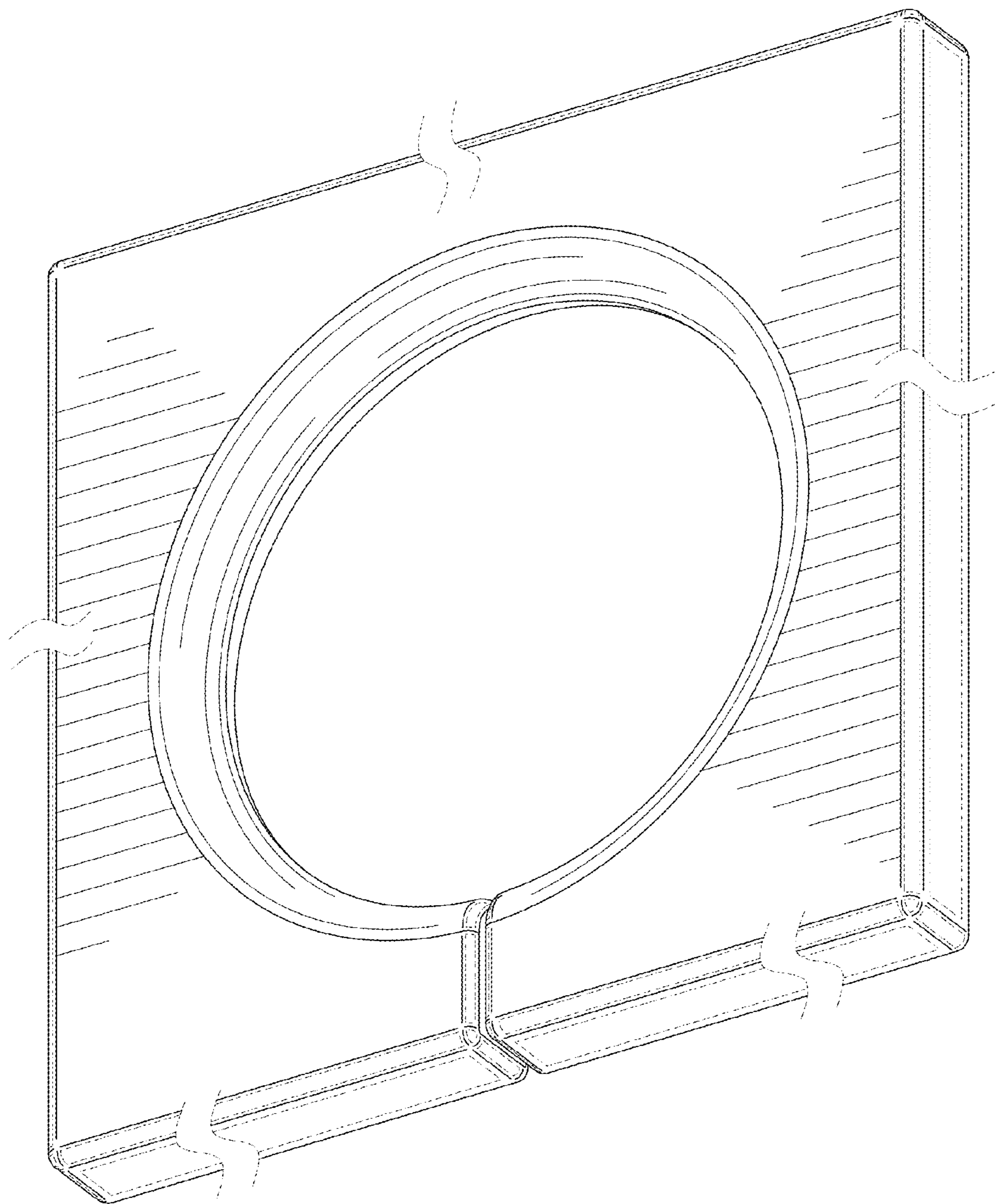


FIG. 50

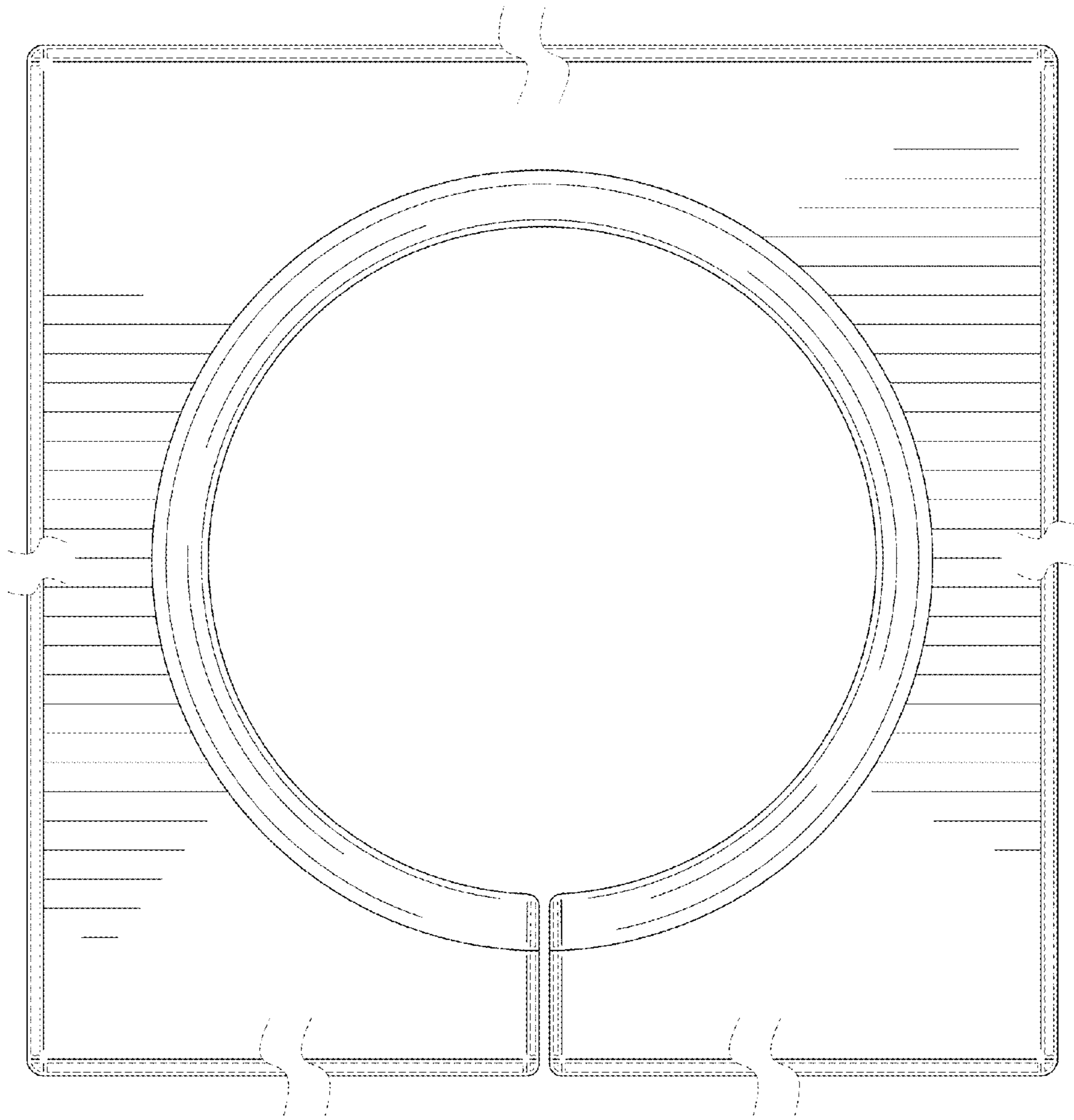


FIG. 51

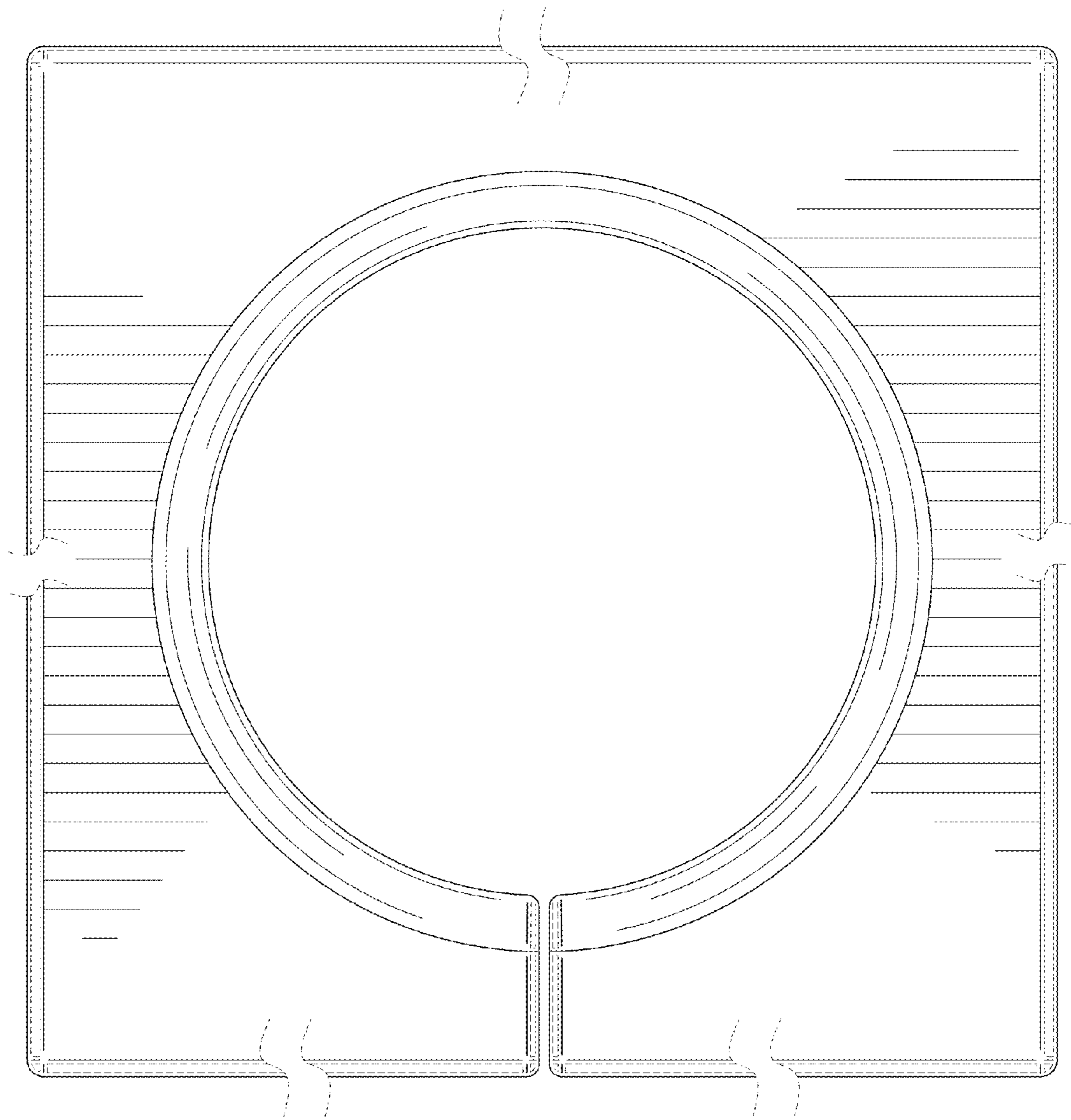


FIG. 52

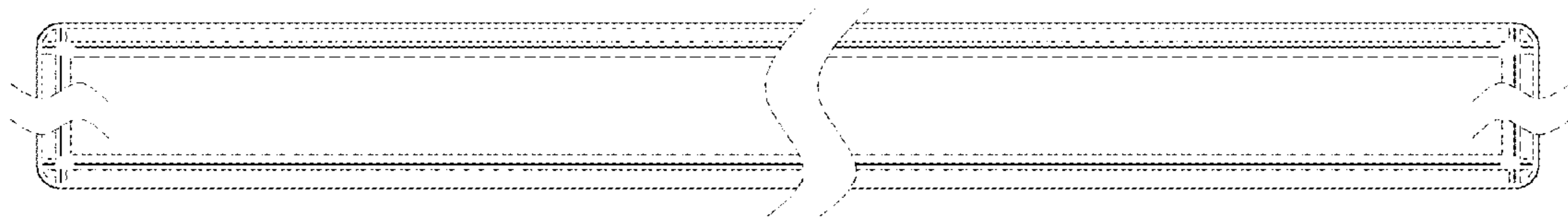


FIG. 53

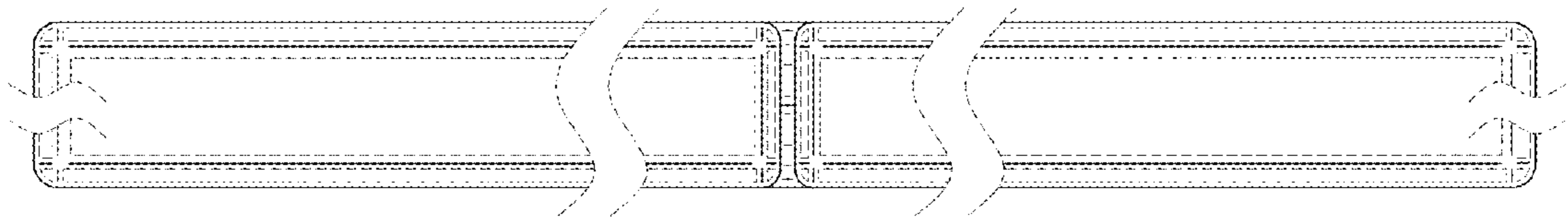


FIG. 54

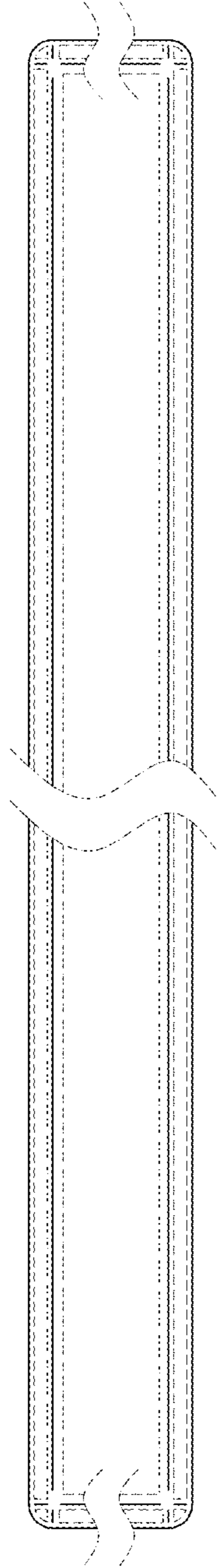


FIG. 55

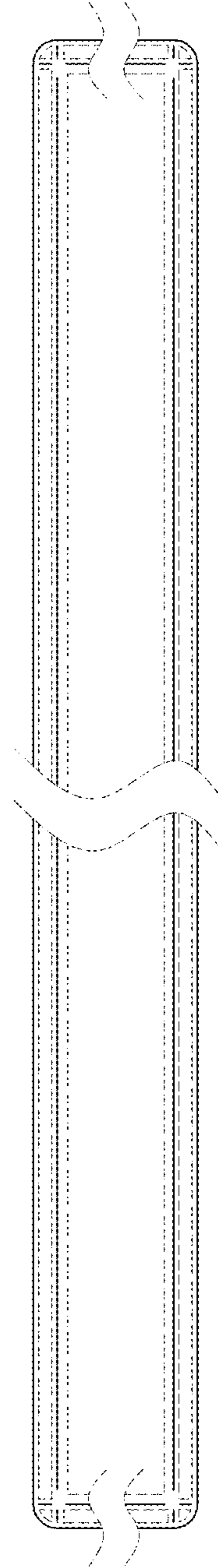


FIG. 56

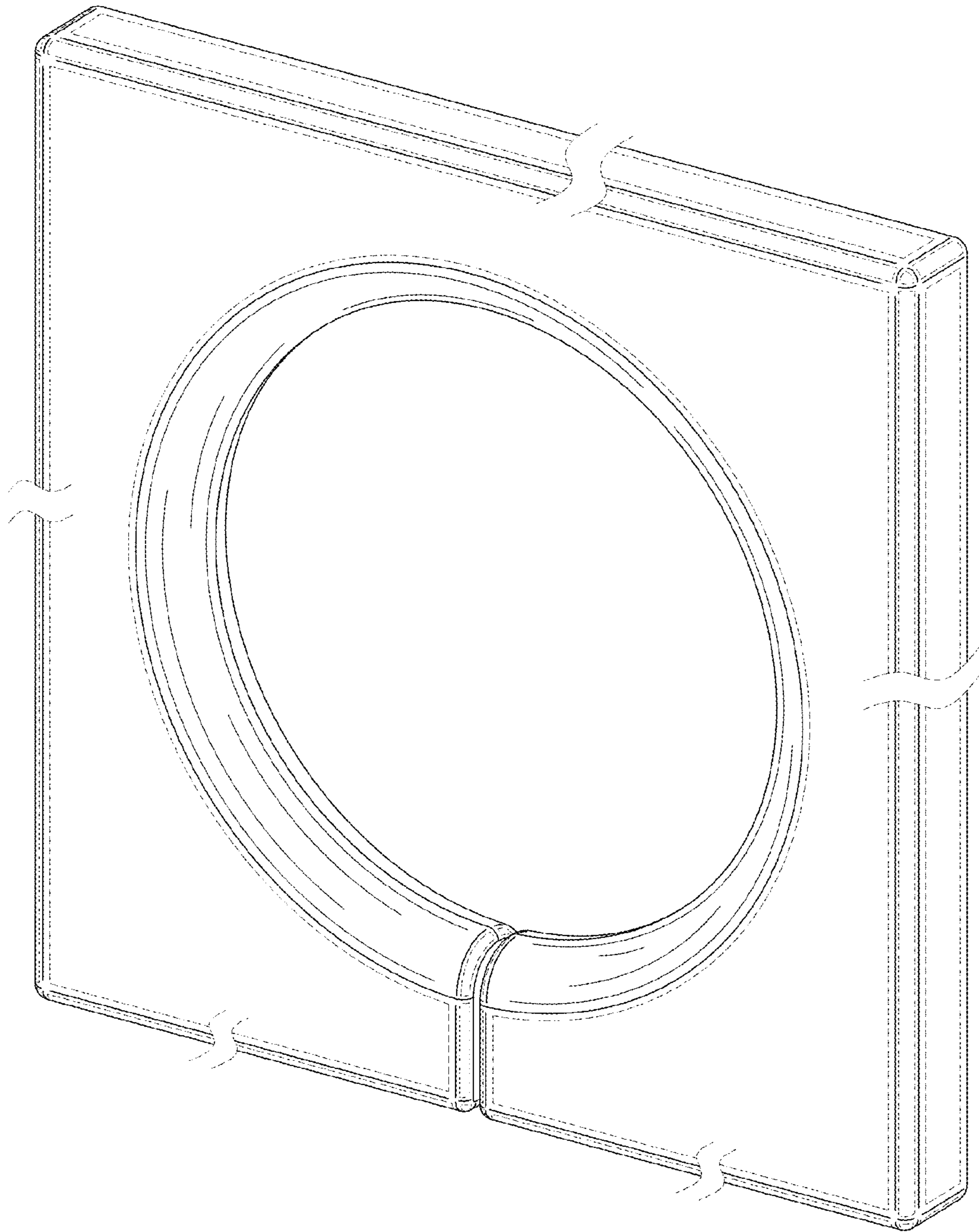


FIG. 57

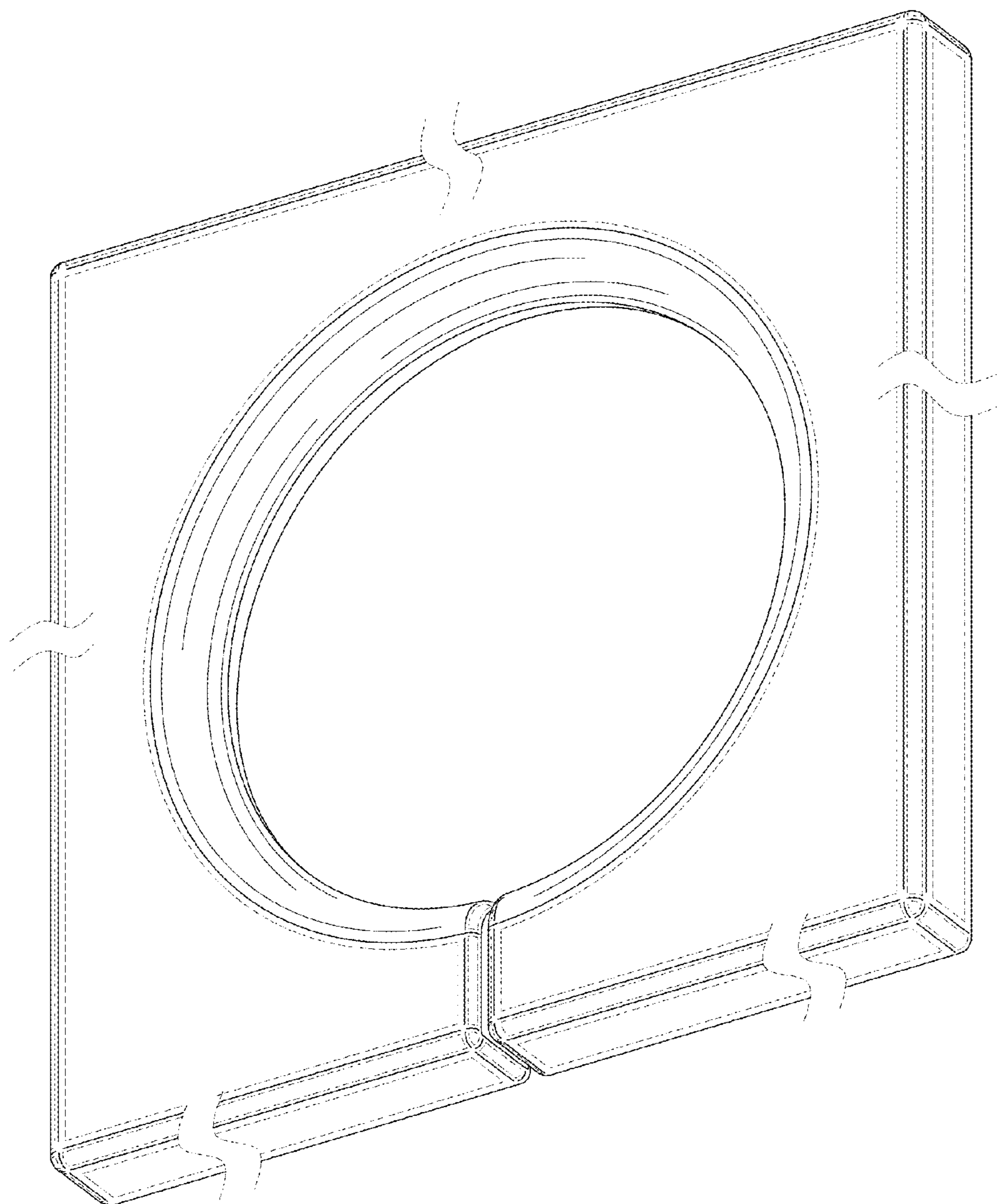


FIG. 58

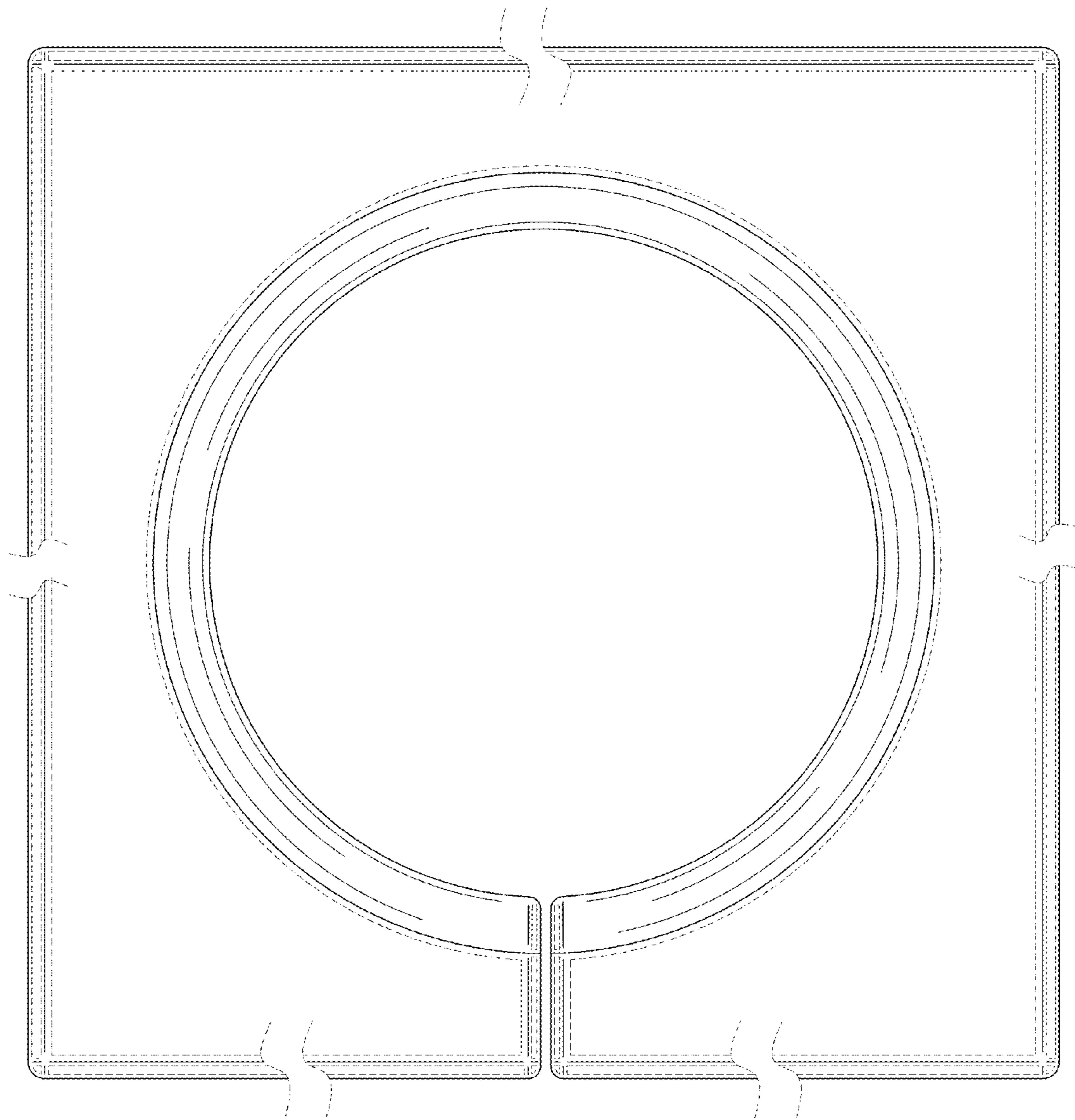


FIG. 59

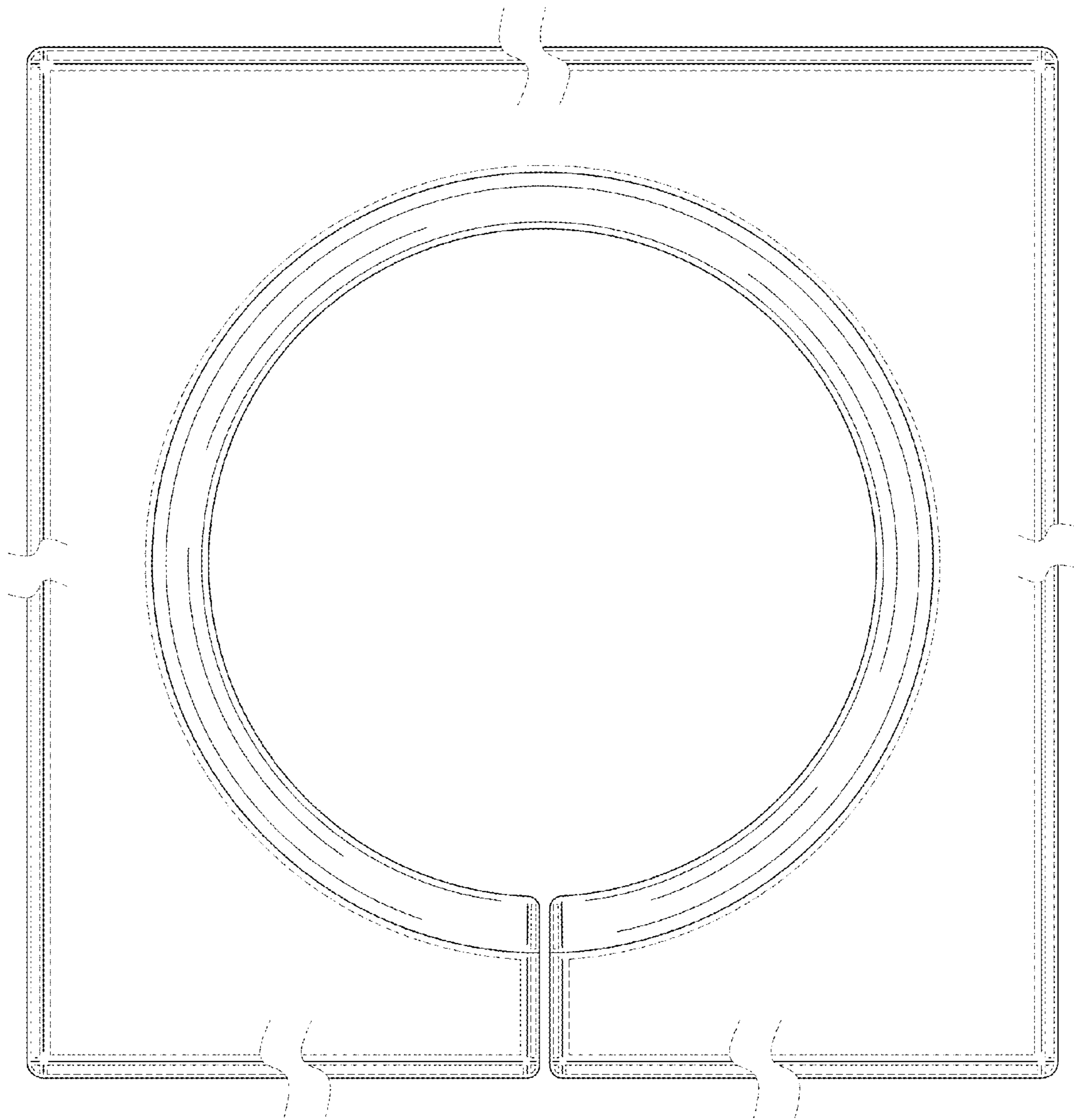


FIG. 60

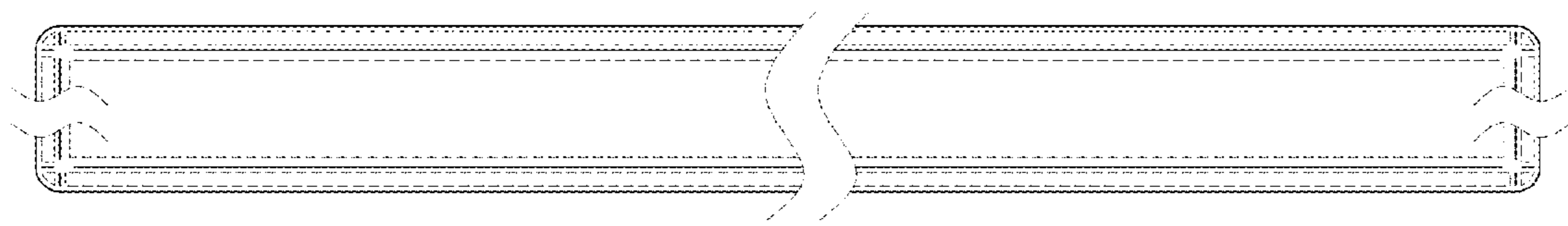


FIG. 61

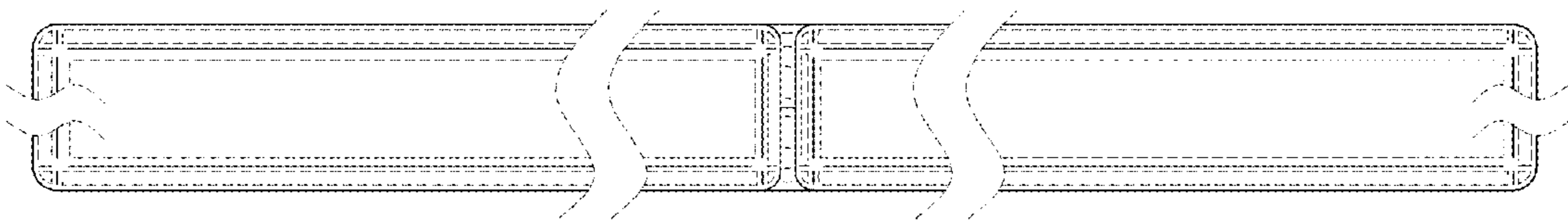


FIG. 62

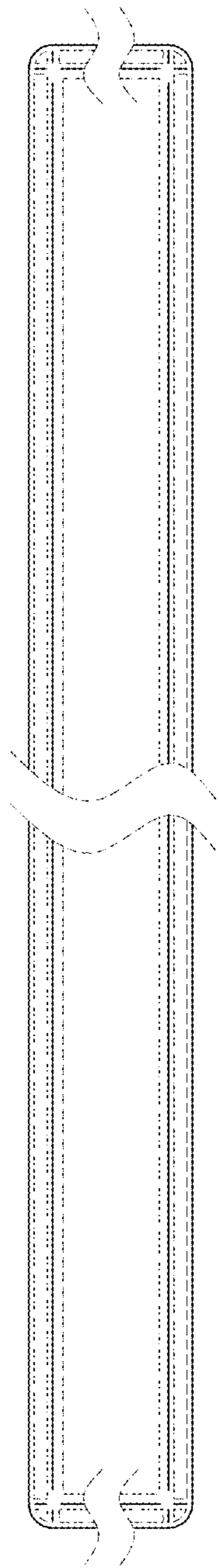


FIG. 63

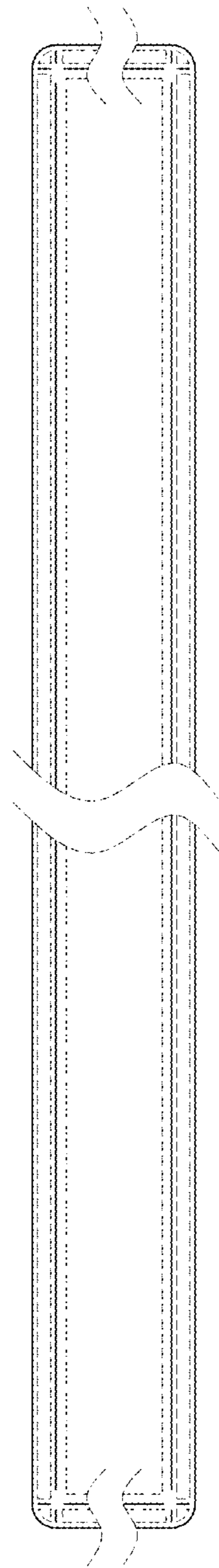


FIG. 64