



US00D738944S

(12) **United States Design Patent**
Miller

(10) **Patent No.:** **US D738,944 S**
(45) **Date of Patent:** **** Sep. 15, 2015**

(54) **ON-BOARD TOOL BOX FOR PORTABLE WIRE FEEDER**

(71) Applicant: **LINCOLN GLOBAL, INC.**, City of Industry, CA (US)

(72) Inventor: **Victor Miller**, Jamul, CA (US)

(73) Assignee: **Lincoln Global, Inc.**, City of Industry, CA (US)

(**) Term: **14 Years**

(21) Appl. No.: **29/472,411**

(22) Filed: **Nov. 12, 2013**

(51) **LOC (10) Cl.** **15-09**

(52) **U.S. Cl.**
USPC **D15/144**

(58) **Field of Classification Search**
USPC D3/272, 273, 276, 279, 281, 282, 295, D3/313, 905; D15/144, 144.1, 144.2, 146; 174/506.56, 50.59; 219/61, 74, 76.14, 219/125.11, 132, 133, 136, 137.2, 137.31, 219/137.7, 137.9; 242/128; 336/182, 195, 336/212, 214; 361/220
CPC B23K 9/28; B23K 9/124; B23K 9/133; B23K 9/1336
See application file for complete search history.

(56) **References Cited**

U.S. PATENT DOCUMENTS

3,309,497	A *	3/1967	Kensrue	219/137.9
4,665,300	A *	5/1987	Bellefleur	219/137.2
5,826,719	A *	10/1998	Chen	206/373
D416,030	S *	11/1999	Weller et al.	D15/144.1
6,479,795	B1 *	11/2002	Albrecht et al.	219/137.2
D475,726	S *	6/2003	Suga et al.	D15/144
6,860,573	B2 *	3/2005	Dunn et al.	312/100
D520,539	S *	5/2006	Di Miceli	D15/144
7,126,084	B2 *	10/2006	DeYoung	219/136
7,208,699	B2	4/2007	Stanzel		
D569,883	S *	5/2008	Wang	D15/144
D569,884	S *	5/2008	Shu	D15/144

7,411,147	B2 *	8/2008	Stanzel et al.	219/74
7,423,238	B2	9/2008	Stanzel		
D611,074	S *	3/2010	Bashore et al.	D15/144
7,755,000	B2	7/2010	Stanzel		
7,999,209	B2 *	8/2011	Diekmann et al.	219/137.31
D653,271	S *	1/2012	Kindig	D15/144
8,256,659	B2 *	9/2012	Enyedy et al.	228/41
8,278,601	B2	10/2012	Stanzel		
8,338,752	B2 *	12/2012	Enyedy et al.	219/137.2
8,847,116	B2 *	9/2014	Lynaugh et al.	219/137.63
2006/0102698	A1 *	5/2006	Ihde et al.	228/101
2008/0035624	A1 *	2/2008	Ertmer et al.	219/137.7
2008/0156783	A1 *	7/2008	Vanden Heuvel et al.	219/137.2
2011/0114613	A1 *	5/2011	Ihde et al.	219/136
2011/0114616	A1	5/2011	Albrecht		

* cited by examiner

Primary Examiner — Philip S Hyder

Assistant Examiner — Darlington Ly

(74) *Attorney, Agent, or Firm* — Hahn, Loeser & Parks LLP

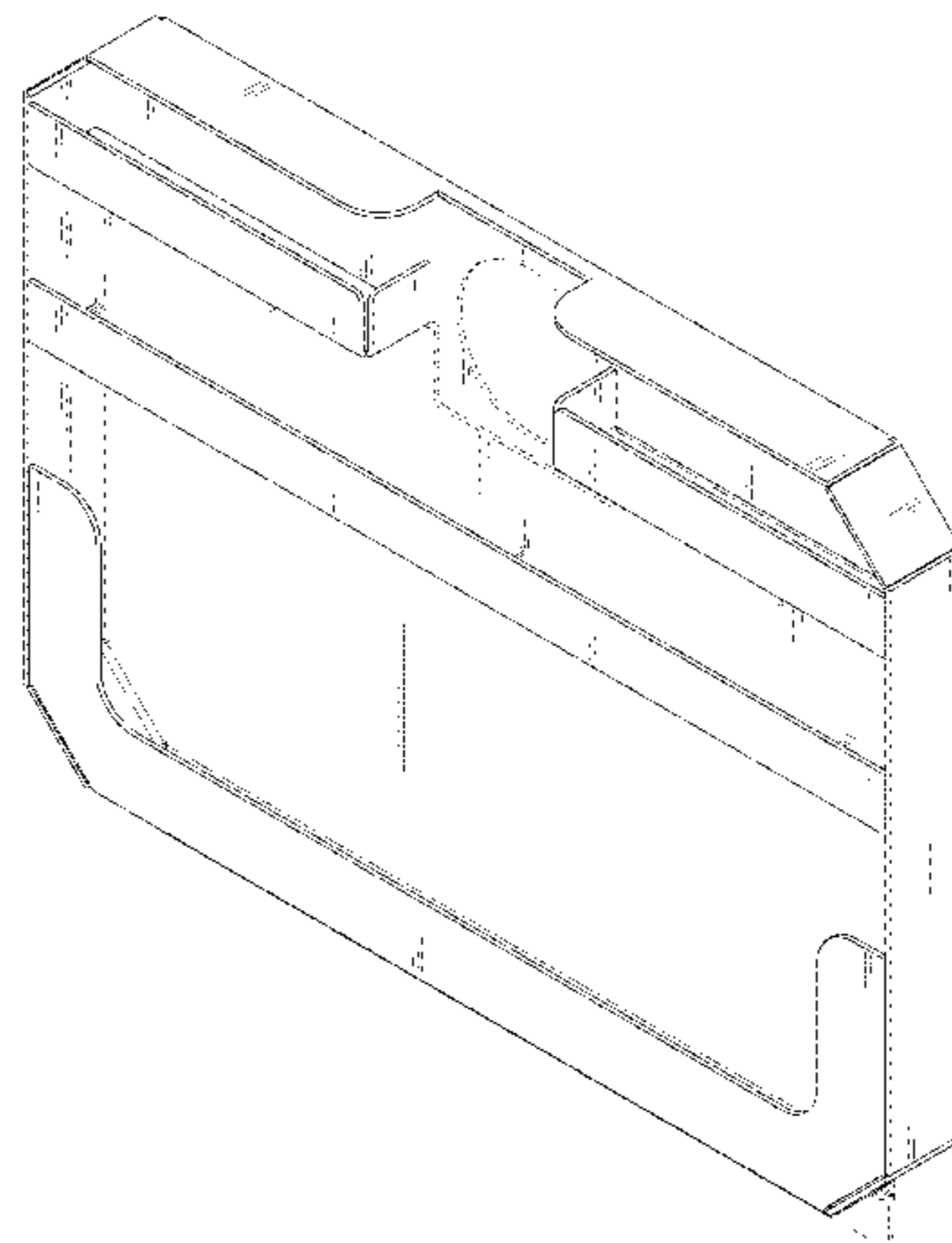
(57) **CLAIM**

The ornamental design for an on-board tool box for portable wire feeder, as shown and described.

DESCRIPTION

FIG. 1 is a top perspective view of an on-board tool box for portable wire feeder showing my new design with environment shown in broken lines;
FIG. 2 is a bottom perspective view thereof;
FIG. 3 is a front view thereof;
FIG. 4 is a rear side view thereof;
FIG. 5 is a left side view thereof;
FIG. 6 is a right view thereof;
FIG. 7 is a top view thereof; and
FIG. 8 is a bottom view thereof.
FIG. 9 is a perspective view of the tool box in a closed position; and,
FIG. 10 is a perspective view of the tool box in an open position.
The broken lines shown are environmental only and form no part of the claimed design.

1 Claim, 7 Drawing Sheets



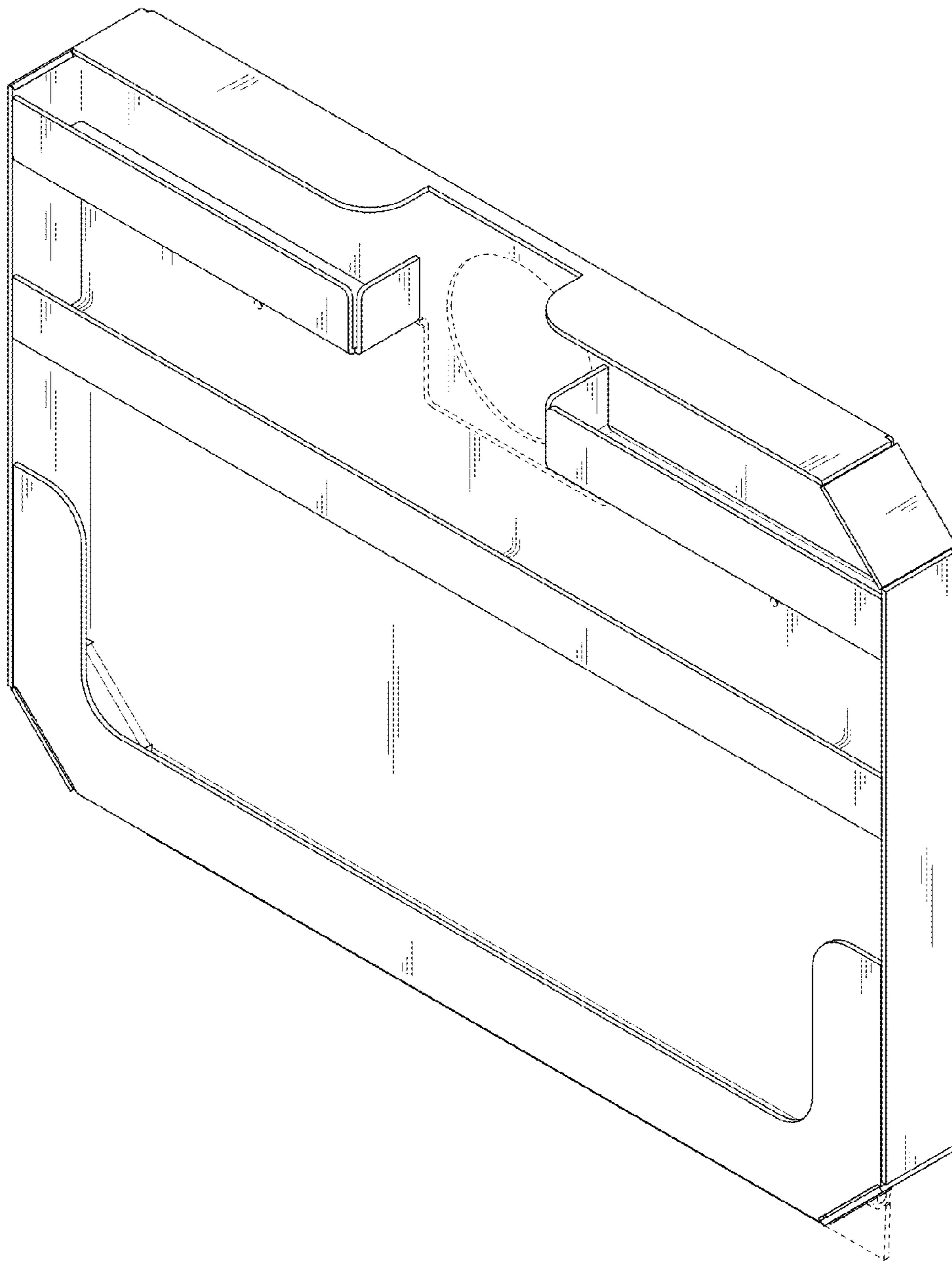


FIG. 1

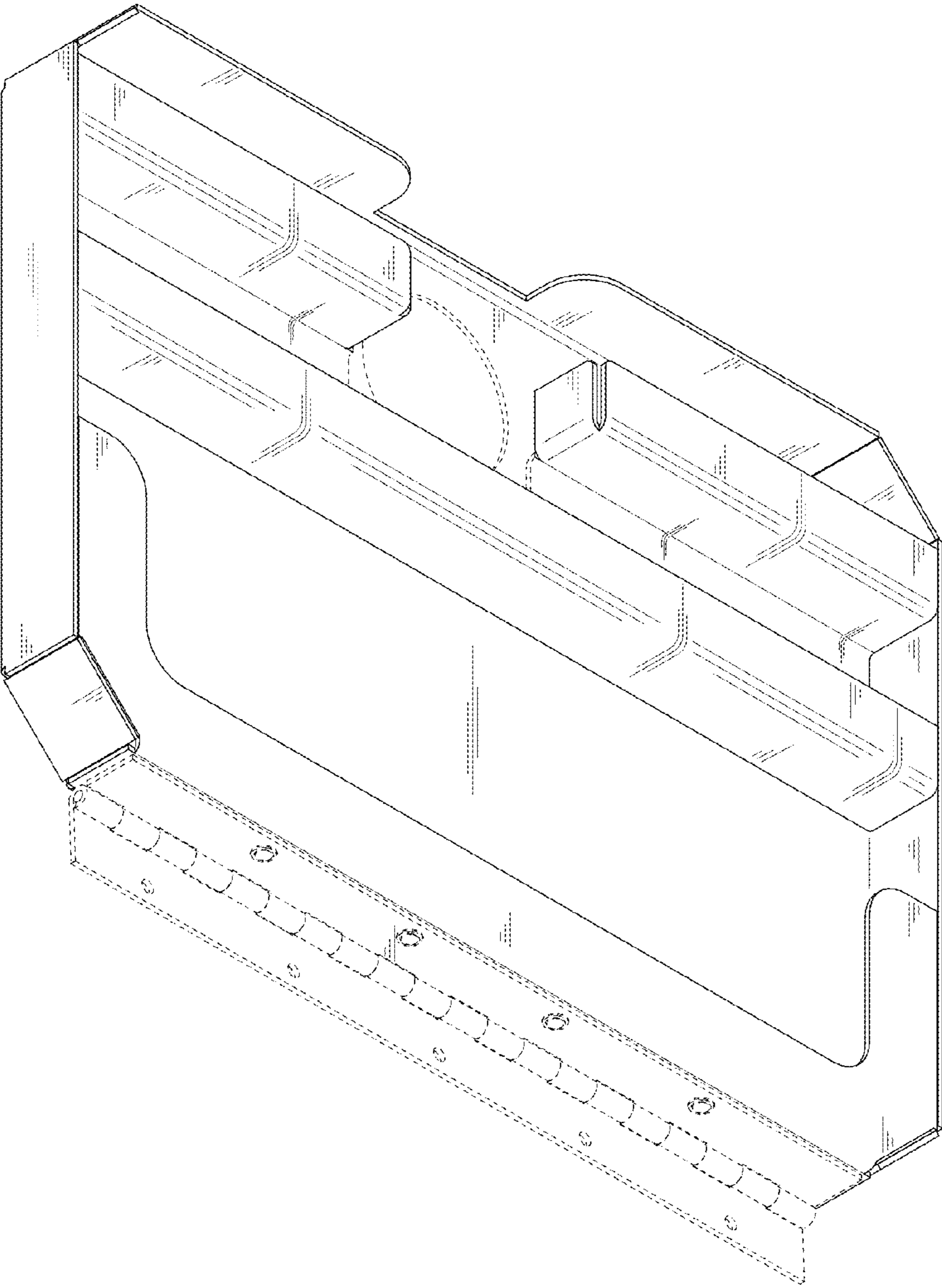


FIG. 2

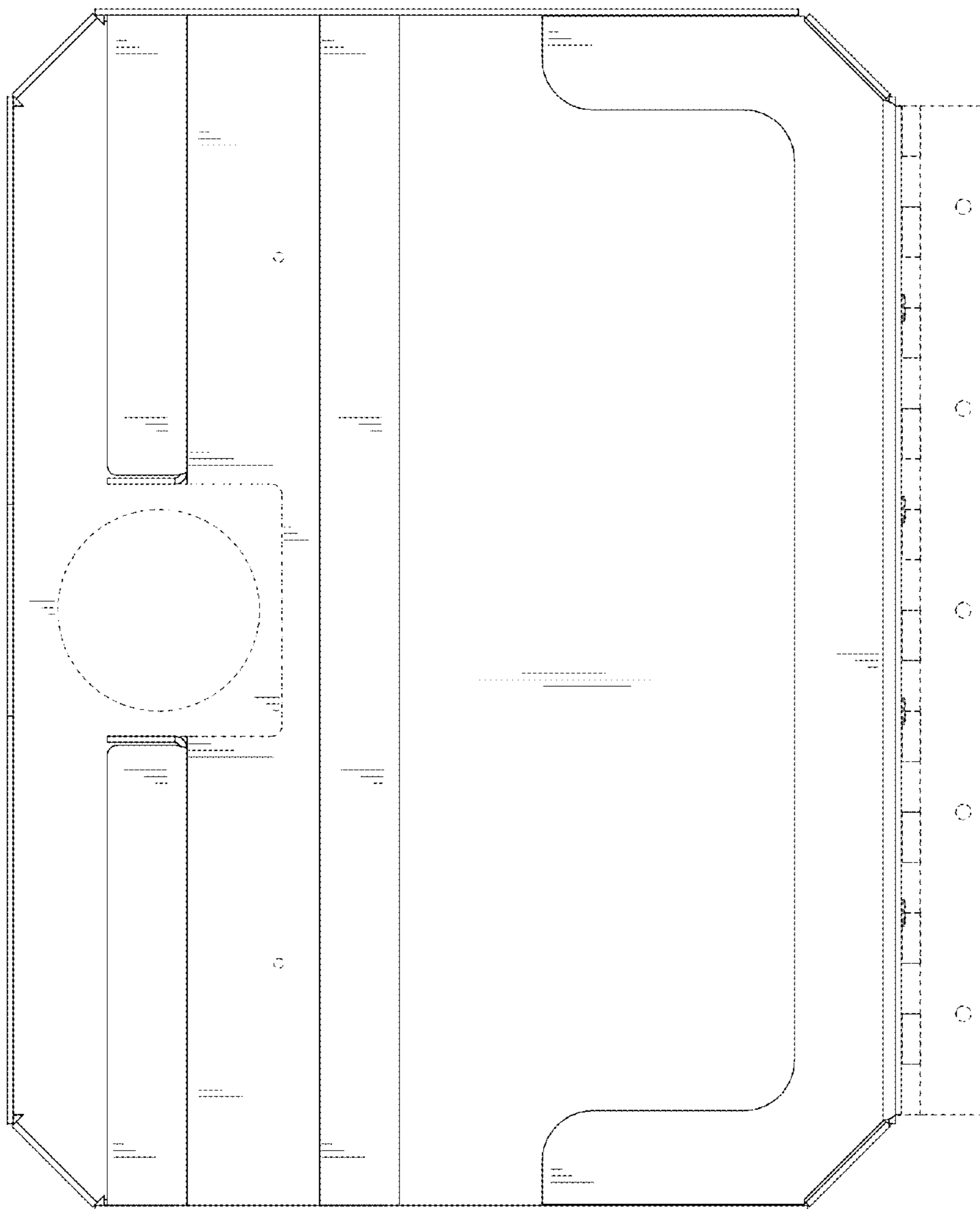


FIG. 3

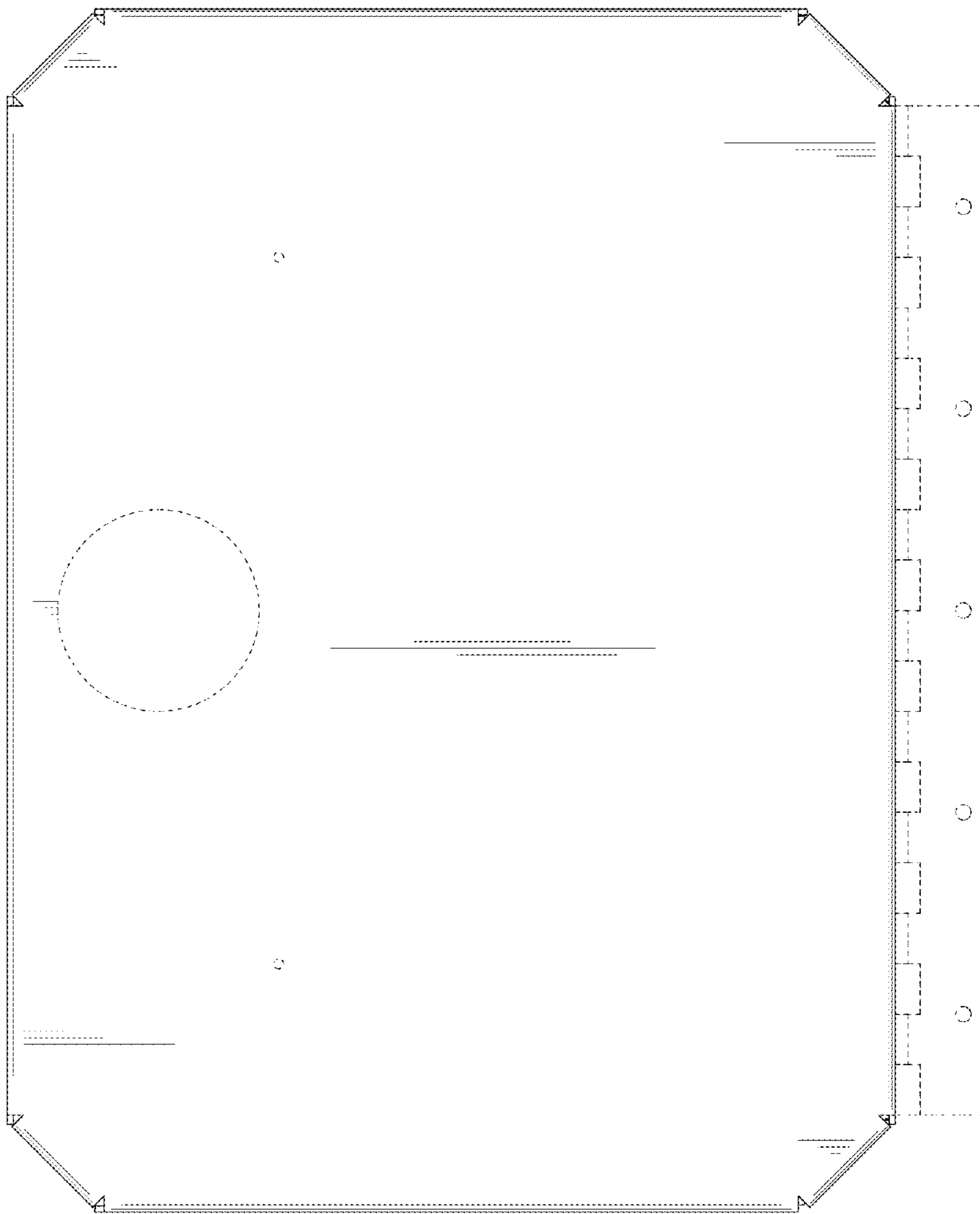


FIG. 4

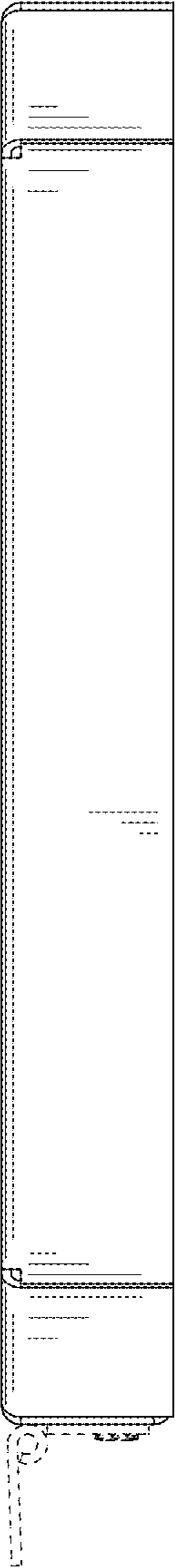


FIG. 5

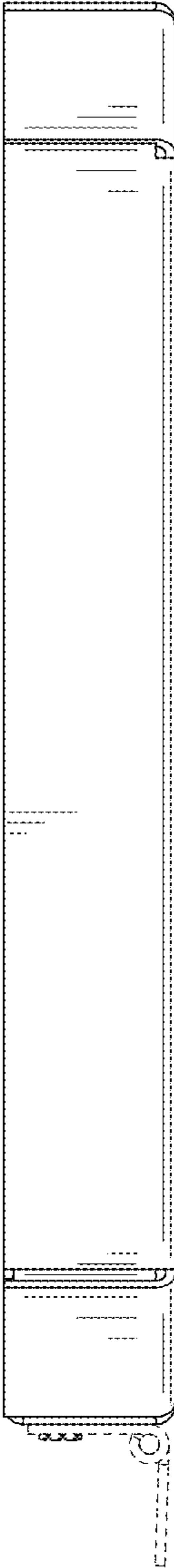


FIG. 6

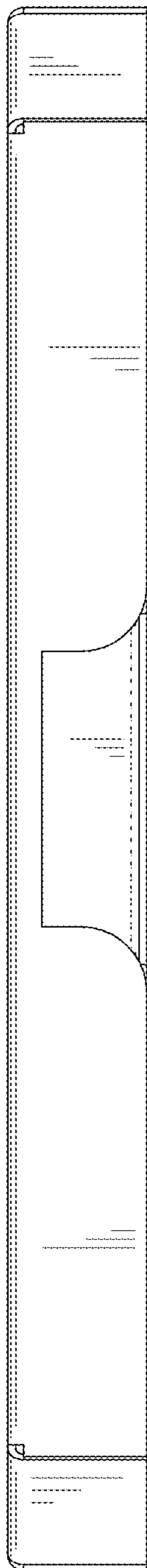


FIG. 7

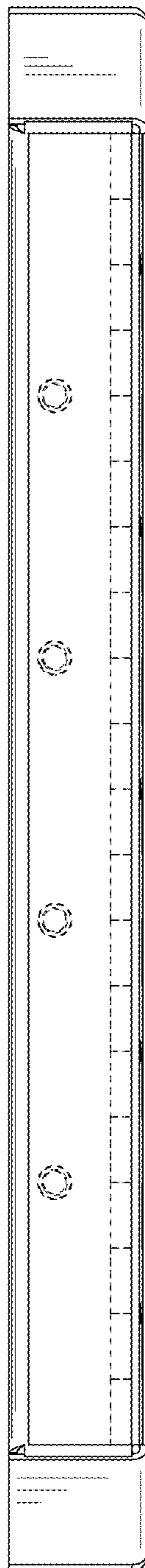


FIG. 8

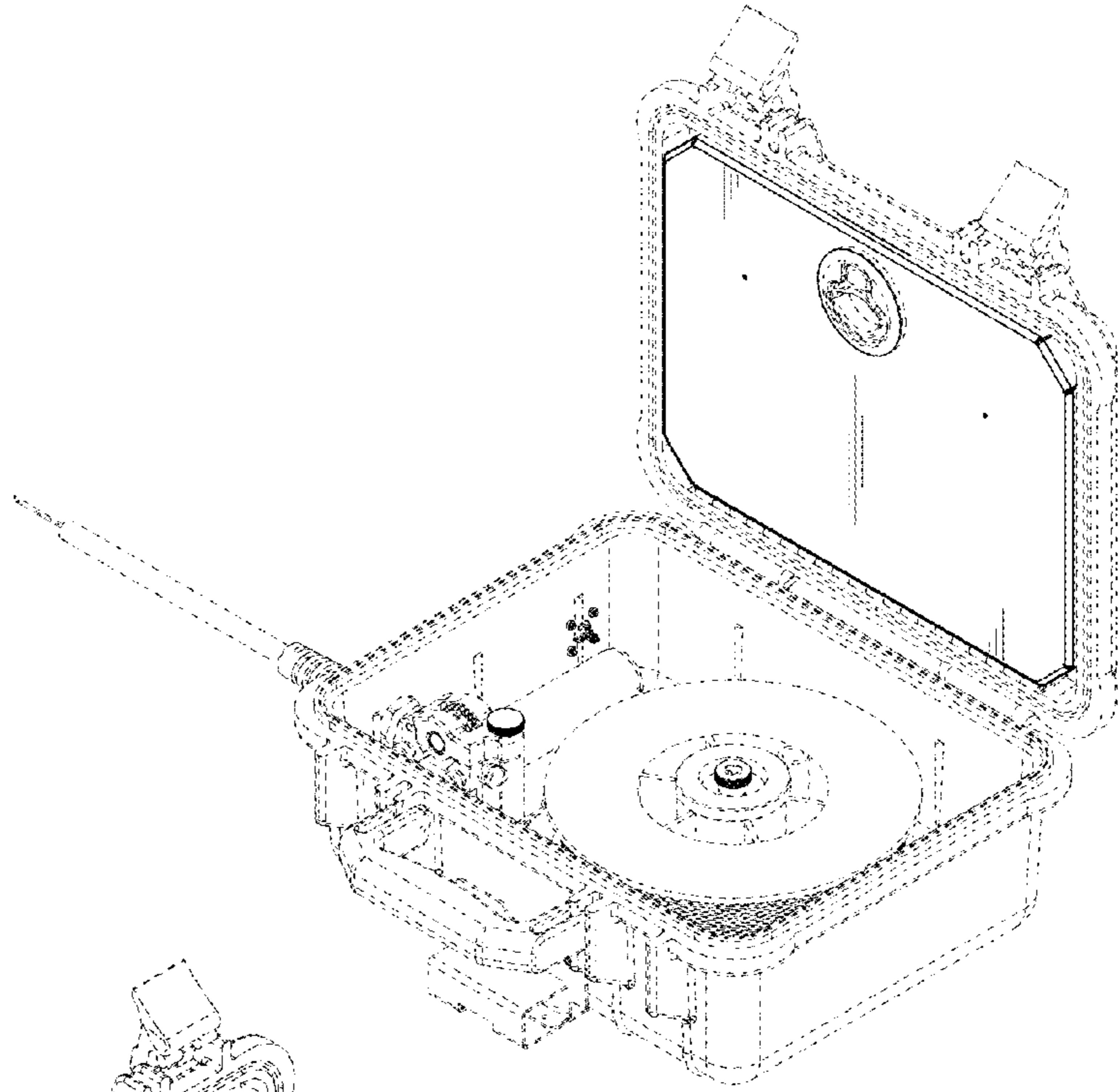


FIG. 9

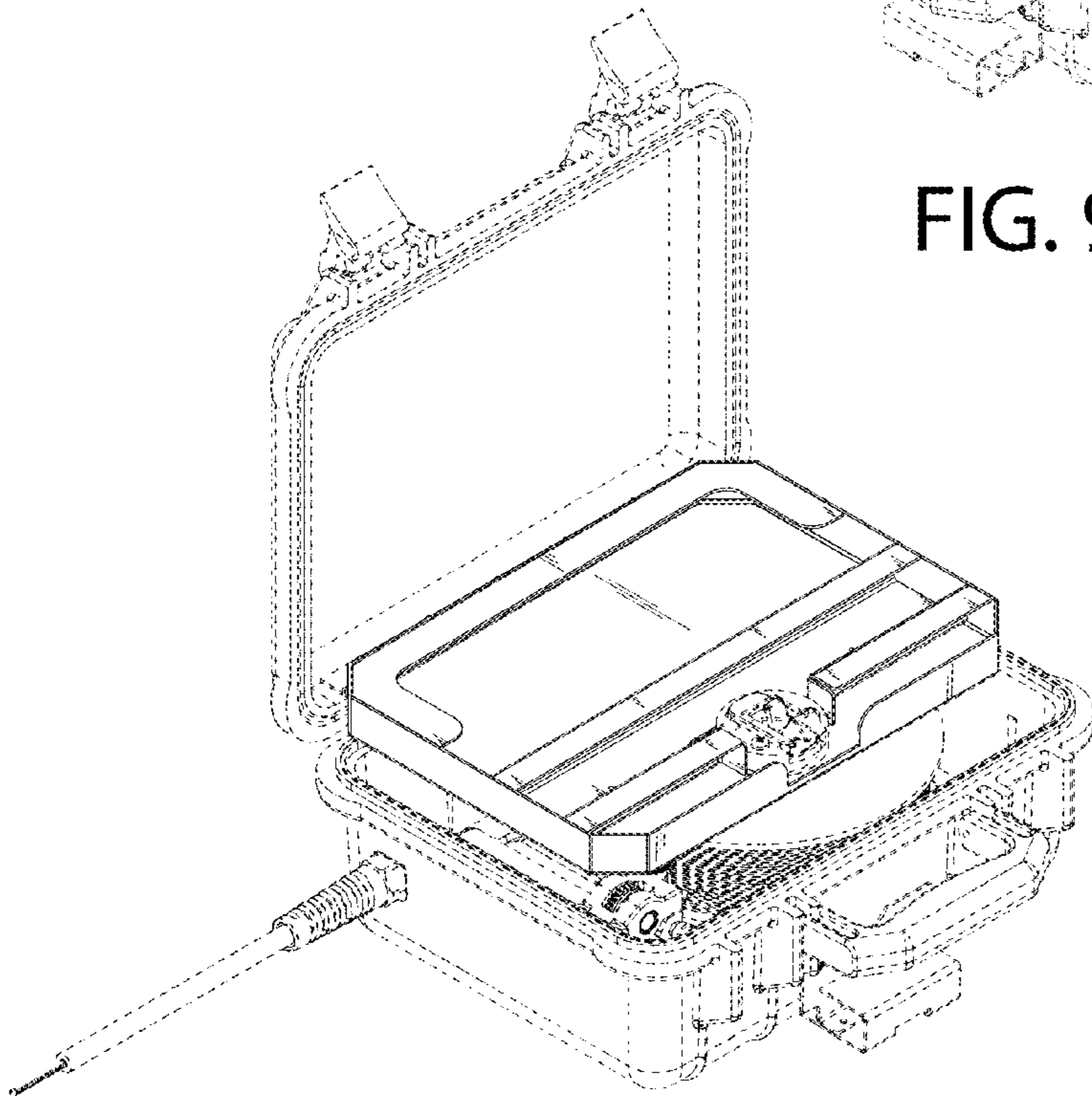


FIG. 10