



US00D738943S

(12) **United States Design Patent**
Dodds et al.

(10) **Patent No.:** **US D738,943 S**

(45) **Date of Patent:** **** Sep. 15, 2015**

(54) **VESSEL FOR THE MICROWAVE TREATMENT OF ORE**

(75) Inventors: **Christopher Dodds**, Nottingham (GB);
Georgios Dimitrakis, Nottingham (GB);
Samuel Kingman, Nottingham (GB)

(73) Assignee: **Technological Resources Pty. Limited**,
Melbourne (AU)

(**) Term: **14 Years**

(21) Appl. No.: **29/427,332**

(22) Filed: **Jul. 17, 2012**

(30) **Foreign Application Priority Data**

Jan. 17, 2012 (AU) 10208/2012

(51) **LOC (10) Cl.** **15-09**

(52) **U.S. Cl.**
USPC **D15/144**

(58) **Field of Classification Search**
USPC D15/199, 144; D21/5; 446/69
See application file for complete search history.

(56) **References Cited**

U.S. PATENT DOCUMENTS

1,649,088	A *	11/1927	Tinsley	229/108
4,008,526	A *	2/1977	Swett et al.	434/259
4,489,946	A *	12/1984	Ortiz Burgos	273/249
D324,823	S *	3/1992	Scarpa et al.	D9/430
D464,880	S *	10/2002	Weinstein et al.	D9/430
D465,414	S *	11/2002	Weinstein et al.	D9/430
D485,420	S *	1/2004	Cannon	D99/99
D501,694	S *	2/2005	Cannon	D99/99

D502,104	S *	2/2005	Schmedes	D9/523
7,184,587	B2 *	2/2007	Yamamoto	382/154
D611,562	S *	3/2010	Sjoberg	D22/142
D644,098	S *	8/2011	Martinez Rodriguez	D9/418
8,749,497	B2 *	6/2014	Elias	345/173
2003/0184542	A1 *	10/2003	Yamamoto	345/419
2004/0041805	A1 *	3/2004	Hayano et al.	345/419
2008/0255501	A1 *	10/2008	Hogendijk et al.	604/64
2010/0230586	A1 *	9/2010	Charvat et al.	250/282

* cited by examiner

Primary Examiner — Patricia Palasik

(74) *Attorney, Agent, or Firm* — Banner & Witcoff, Ltd.

(57) **CLAIM**

The ornamental design for a vessel for the microwave treatment of ore, as shown and described.

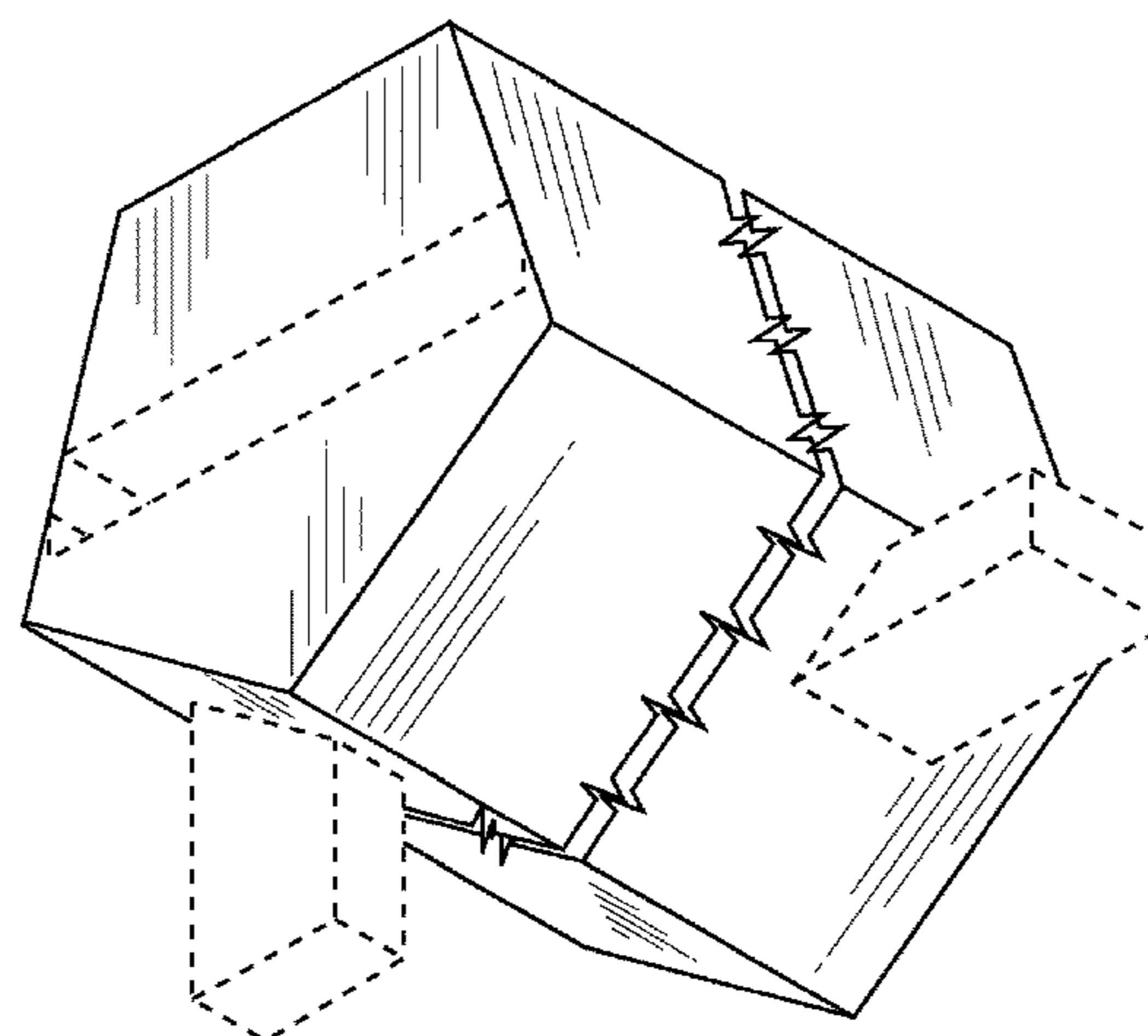
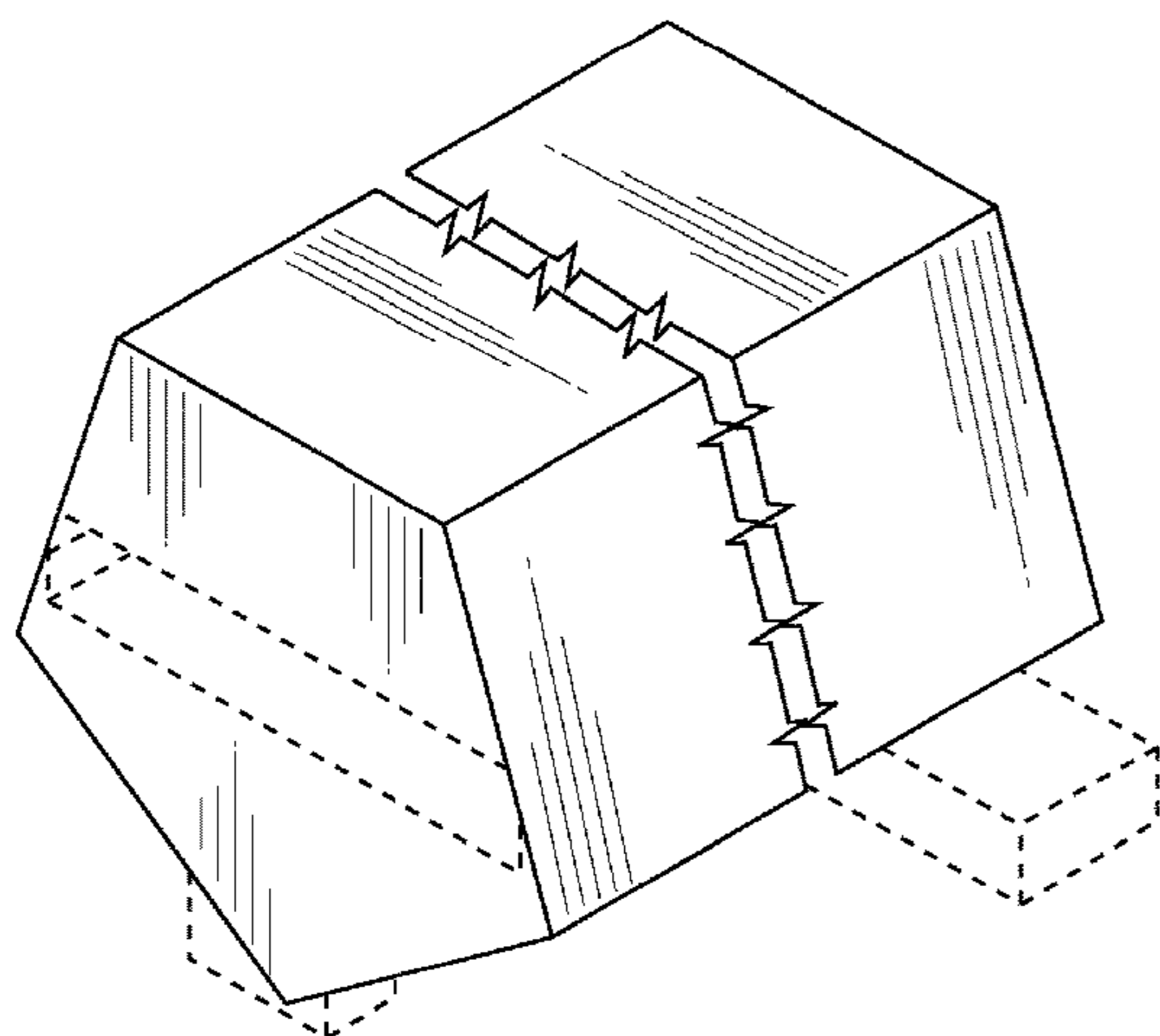
DESCRIPTION

FIG. 1 is a top left perspective view of a vessel for the microwave treatment of ore showing our new design; FIG. 2 is a bottom left perspective view thereof; FIG. 3 is a bottom right perspective view thereof; FIG. 4 a top view thereof; FIG. 5 is a right end view thereof; FIG. 6 is a left end view thereof; FIG. 7 is a bottom view thereof; FIG. 8 is a rear view thereof; and, FIG. 9 is a front view thereof.

The broken lines of even length are environment, and the elements depicted in such broken lines form no part of the claimed design.

The Article is shown with a symbolic break in its length. The appearance of any portion of the article between the break lines forms no part of the claimed design.

1 Claim, 5 Drawing Sheets



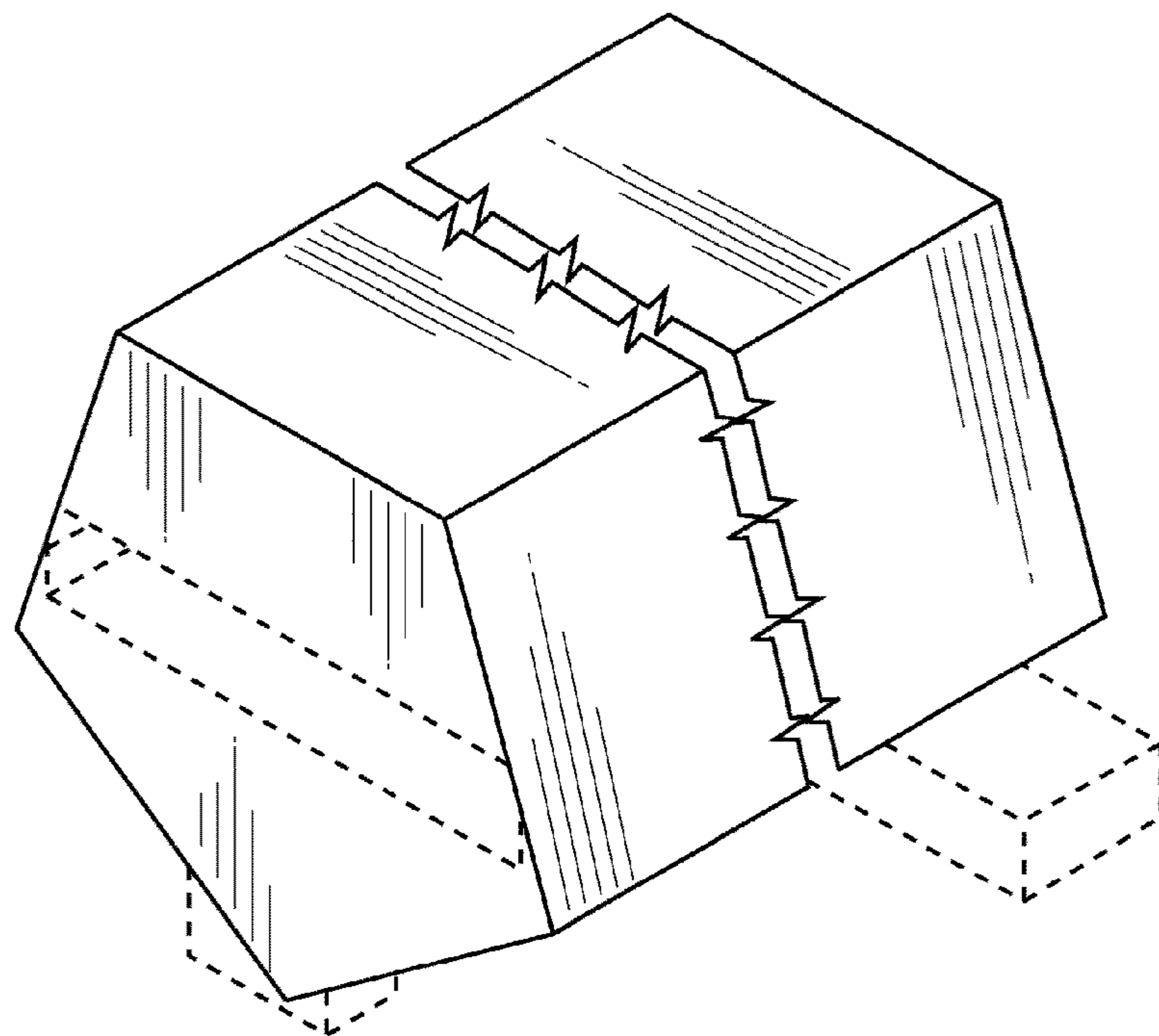


FIG. 1

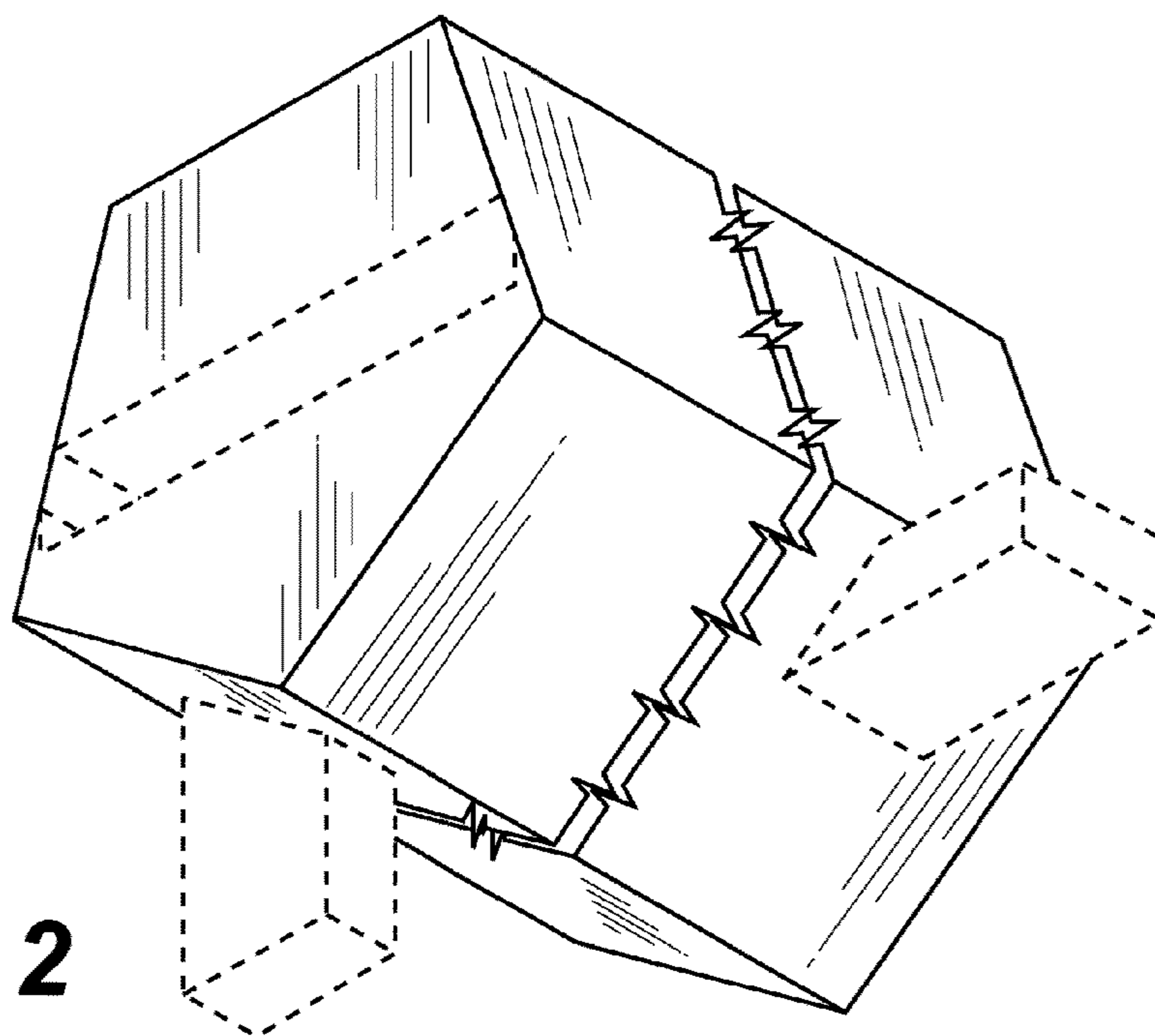


FIG. 2

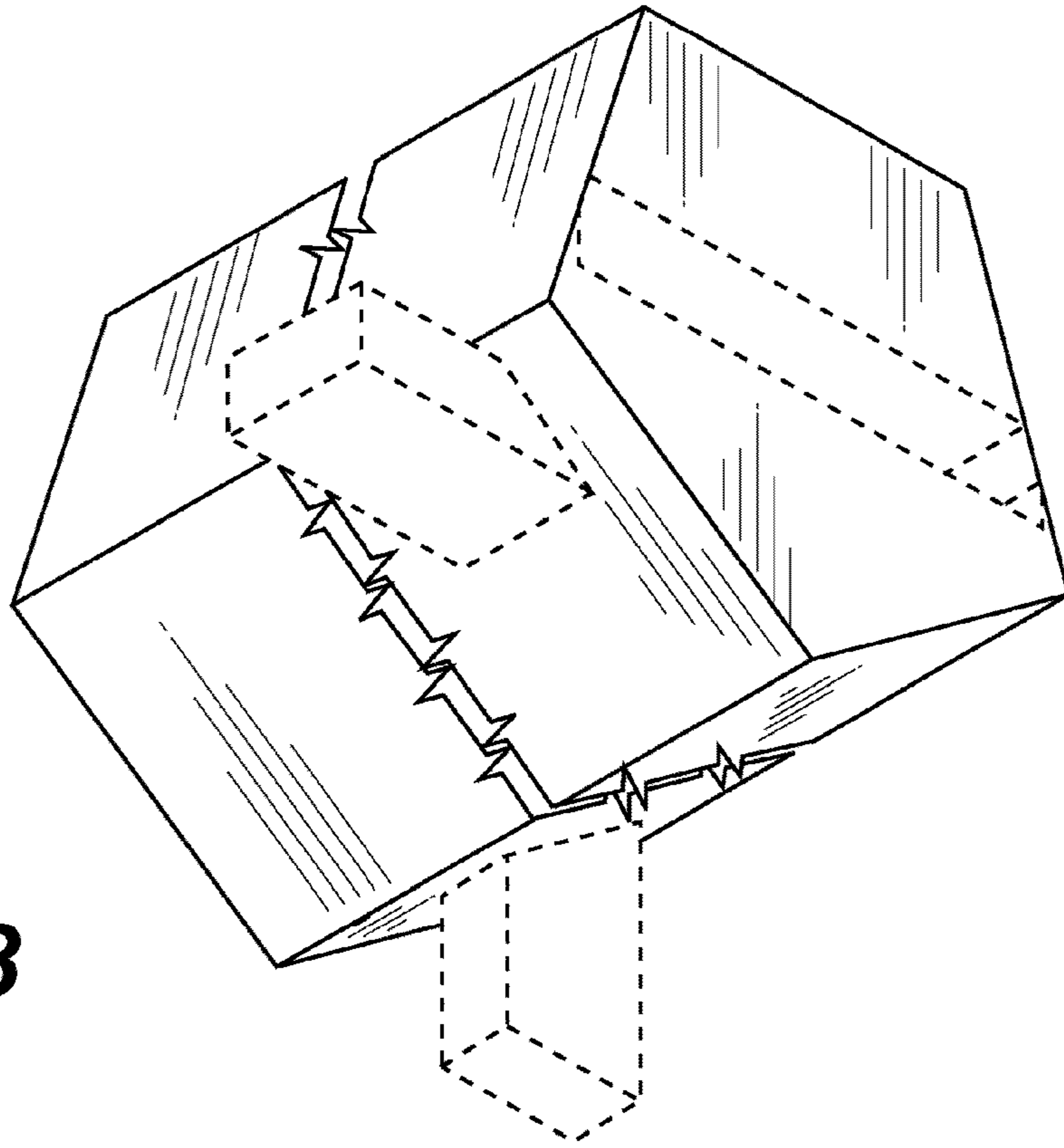


FIG. 3

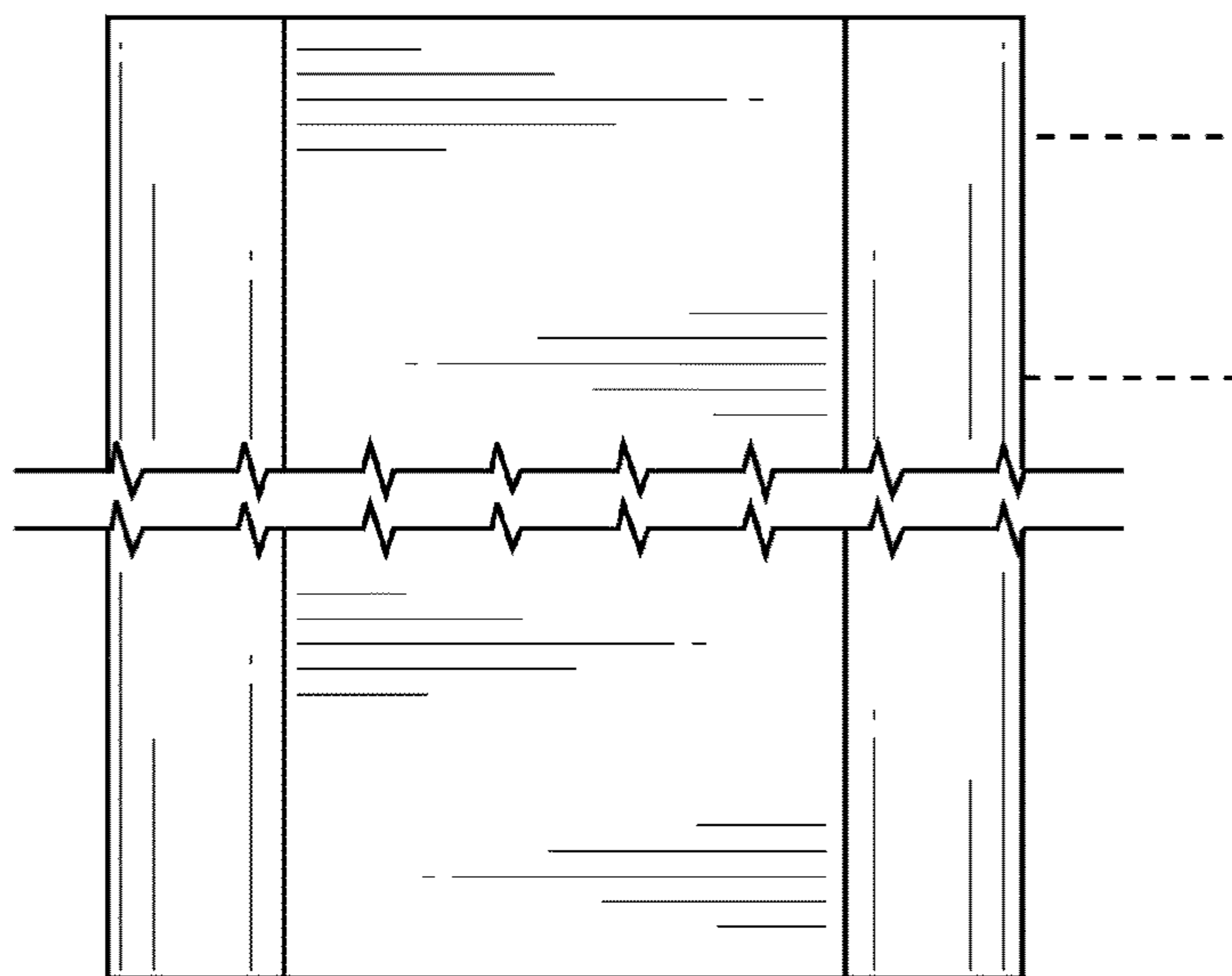


FIG. 4

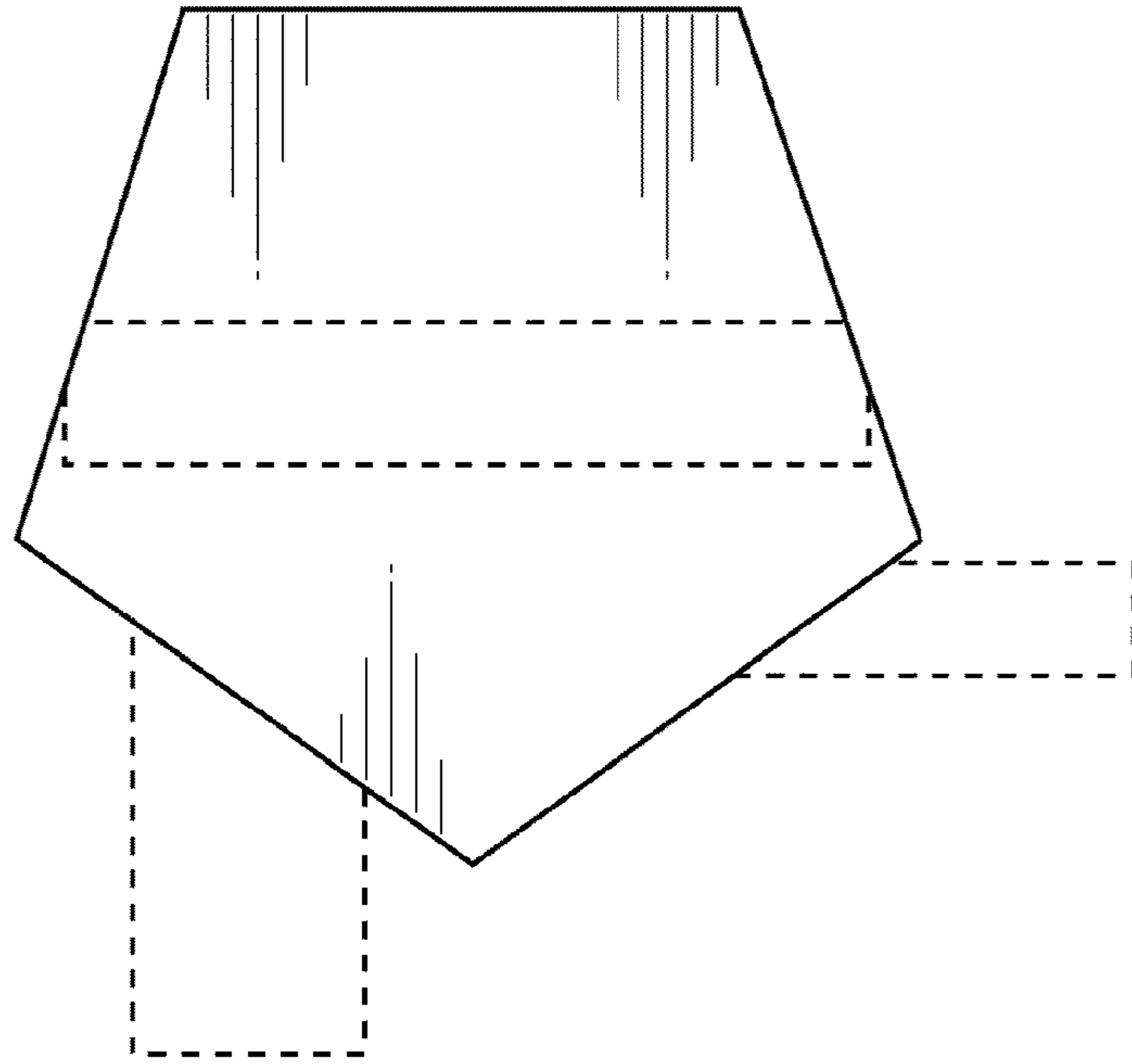


FIG. 5

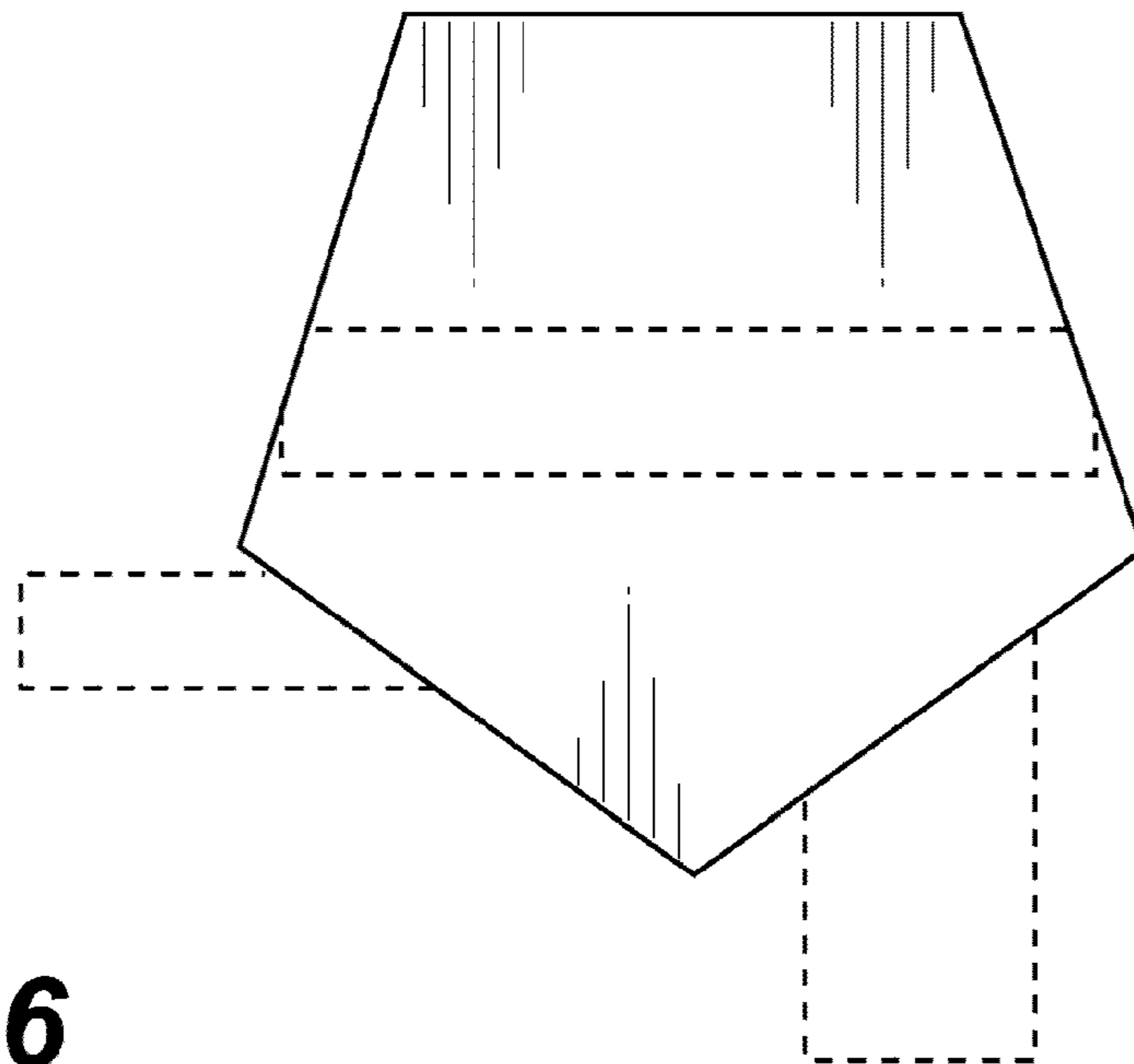


FIG. 6

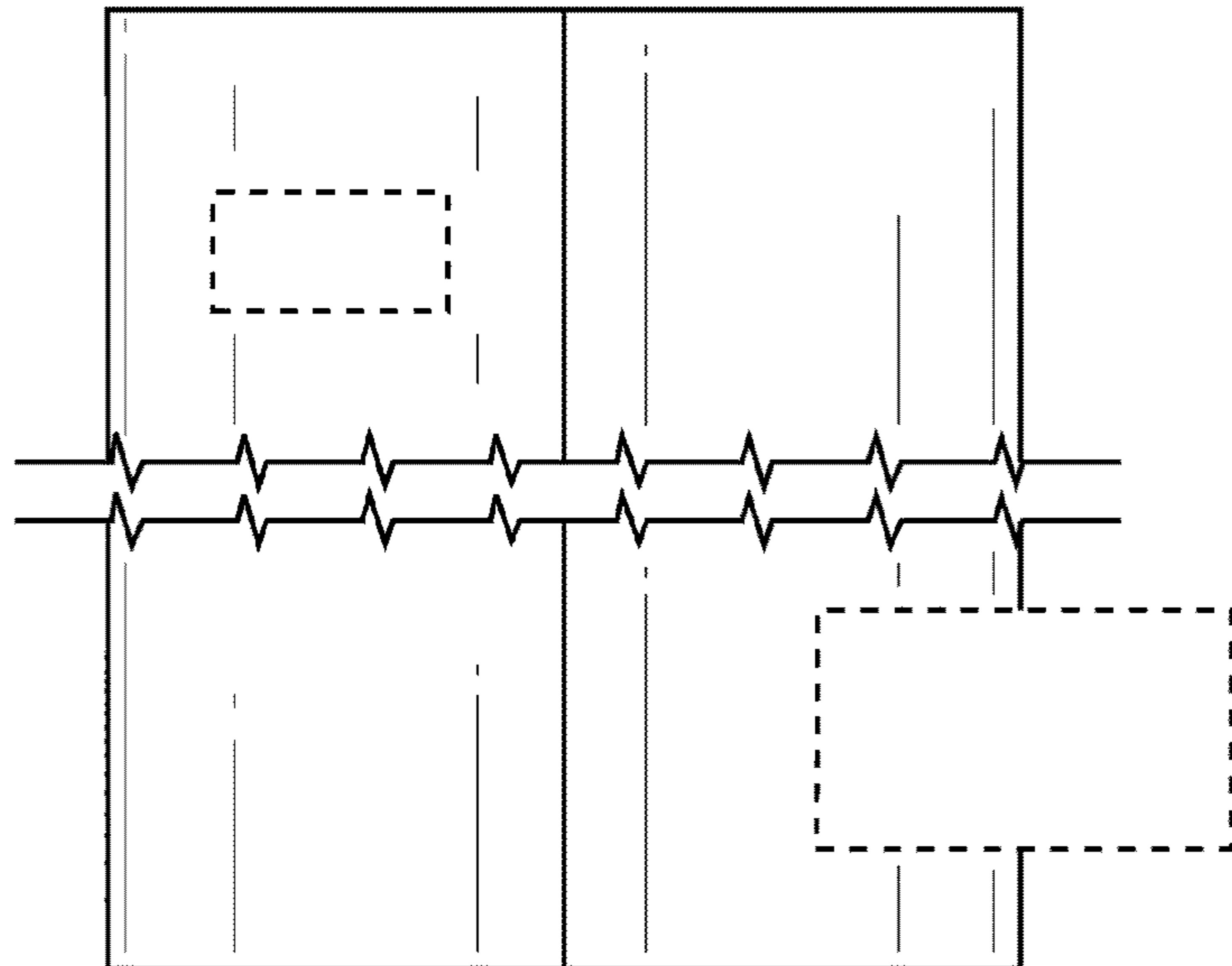


FIG. 7

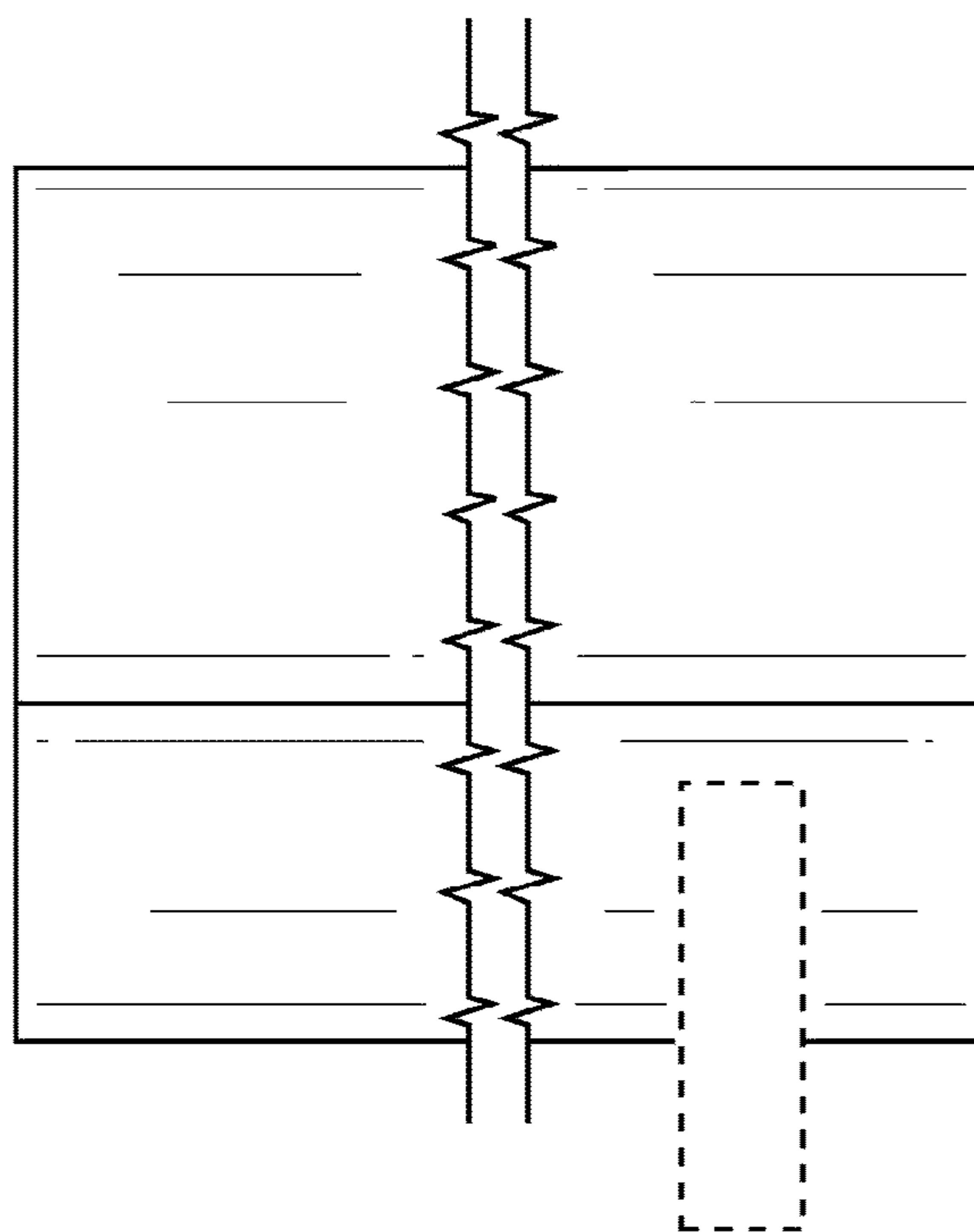


FIG. 8

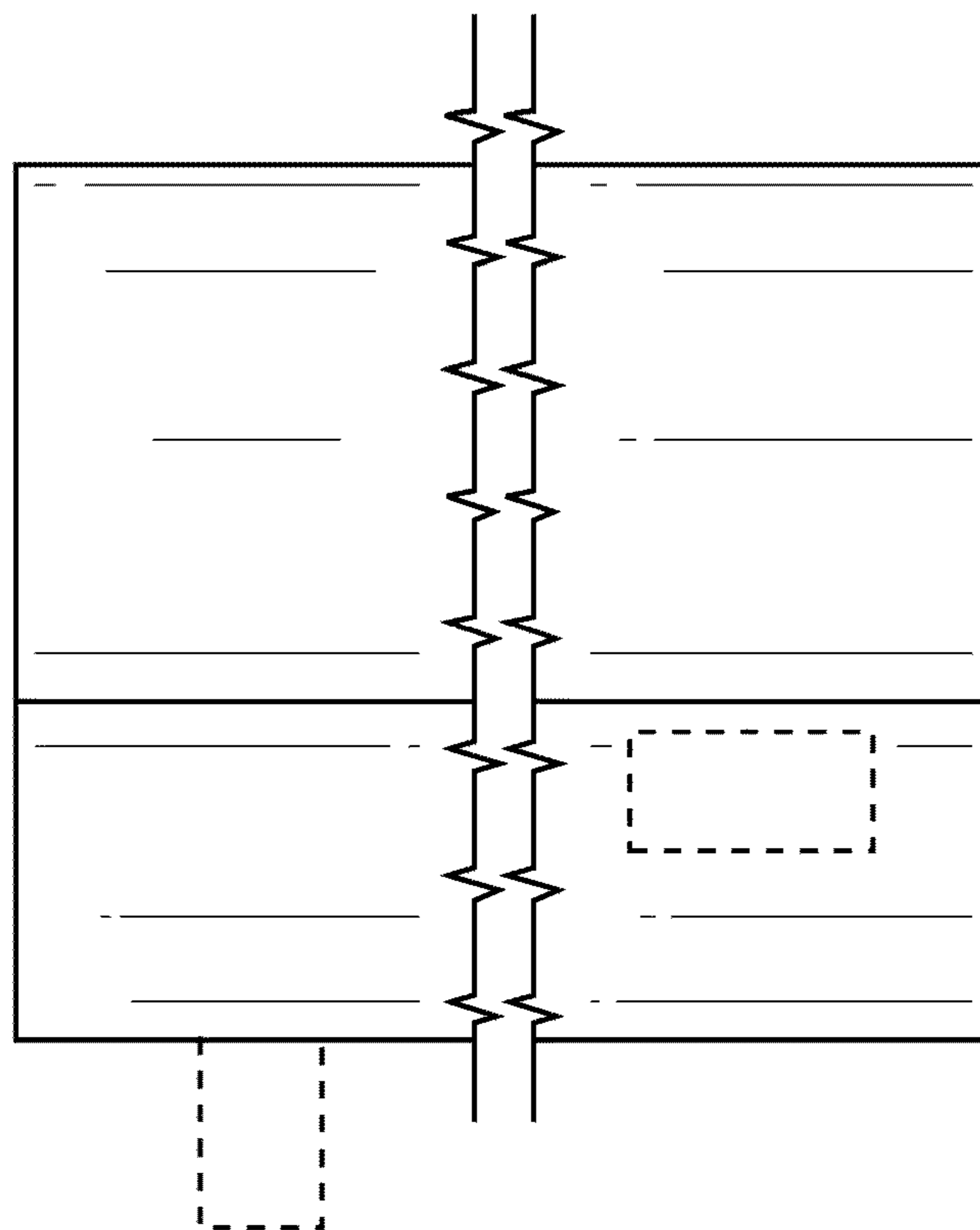


FIG. 9