



US00D738942S

(12) **United States Design Patent**  
**Choi et al.**

(10) **Patent No.:** **US D738,942 S**

(45) **Date of Patent:** **\*\* Sep. 15, 2015**

(54) **DOOR FOR REFRIGERATOR**

(56) **References Cited**

(71) Applicant: **LG Electronics Inc.**, Seoul (KR)

U.S. PATENT DOCUMENTS

(72) Inventors: **Kyukwan Choi**, Seoul (KR);  
**Sungkyong Han**, Seoul (KR); **Minsub Kim**, Seoul (KR); **Kyusuh Park**, Seoul (KR)

D696,306 S \* 12/2013 Kim ..... D15/91  
D696,309 S \* 12/2013 Kim ..... D15/91  
D696,310 S \* 12/2013 Kim ..... D15/91  
D717,839 S \* 11/2014 Sin et al. .... D15/89  
D724,121 S \* 3/2015 Choi et al. .... D15/91

(73) Assignee: **LG Electronics Inc.**, Seoul (KR)

\* cited by examiner

(\*\*) Term: **14 Years**

*Primary Examiner* — Daniel Bui

*Assistant Examiner* — Khawaja Anwar

(21) Appl. No.: **29/497,196**

(74) *Attorney, Agent, or Firm* — Morgan, Lewis & Bockius LLP

(22) Filed: **Jul. 22, 2014**

(30) **Foreign Application Priority Data**

(57) **CLAIM**

Jan. 22, 2014 (KR) ..... 30-2014-0003703

The ornamental design for a door for refrigerator, as shown and described.

(51) **LOC (10) Cl.** ..... **15-07**

(52) **U.S. Cl.**  
USPC ..... **D15/91**

**DESCRIPTION**

(58) **Field of Classification Search**

USPC ..... D15/79-91  
CPC ..... F25B 21/02; F25B 2321/02; F25B 1/005;  
F25B 2321/0252; F25B 1/00; F25B 1/10;  
F25B 21/04; F25B 2339/047; F25B 5/02;  
F25B 7/00; F25B 13/00; F25B 1/053; F25B  
2309/06; F25B 2321/021; F25B 2321/023;  
F25D 23/028; F25D 23/02; F25D 25/025;  
F25D 23/00; F25D 2323/021; F25D 11/00;  
F25D 2323/024; F25D 23/04; F25D 29/00;  
F25D 25/02; F25D 25/024; F25D 27/005;  
F25D 23/12; F25D 29/005; F25D 17/042;  
F25D 2325/021

FIG. 1 is a perspective view of a door for refrigerator showing our new design;  
FIG. 2 is a front view thereof;  
FIG. 3 is a rear view thereof;  
FIG. 4 is a left side view thereof;  
FIG. 5 is a right side view thereof;  
FIG. 6 is a top plan view thereof;  
FIG. 7 is a bottom plan view thereof; and,  
FIG. 8 is an enlarged view of the area enclosed in dashed lines in FIG. 5, in use condition.  
The broken line in the figure drawings represents unclaimed environment only and forms no part of the claimed design.

See application file for complete search history.

**1 Claim, 7 Drawing Sheets**

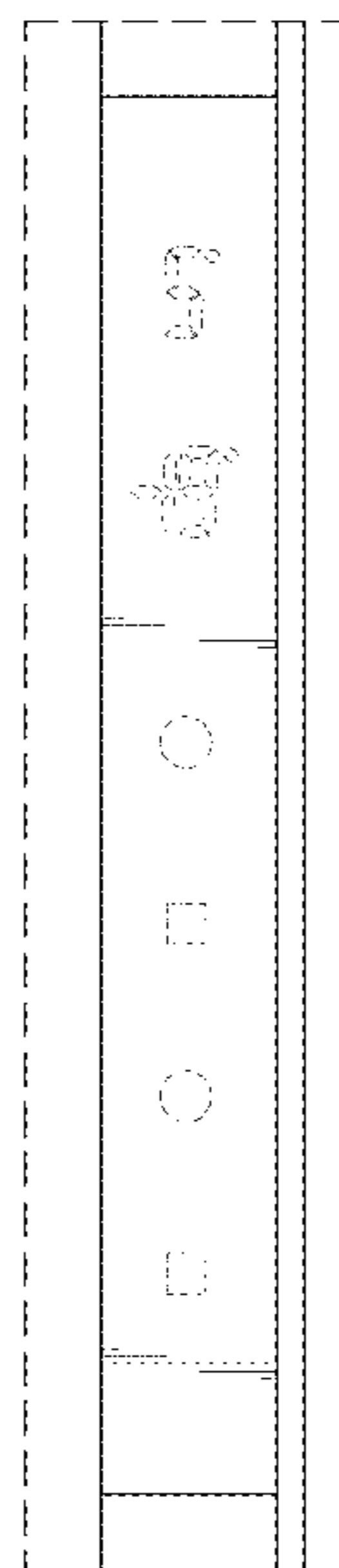
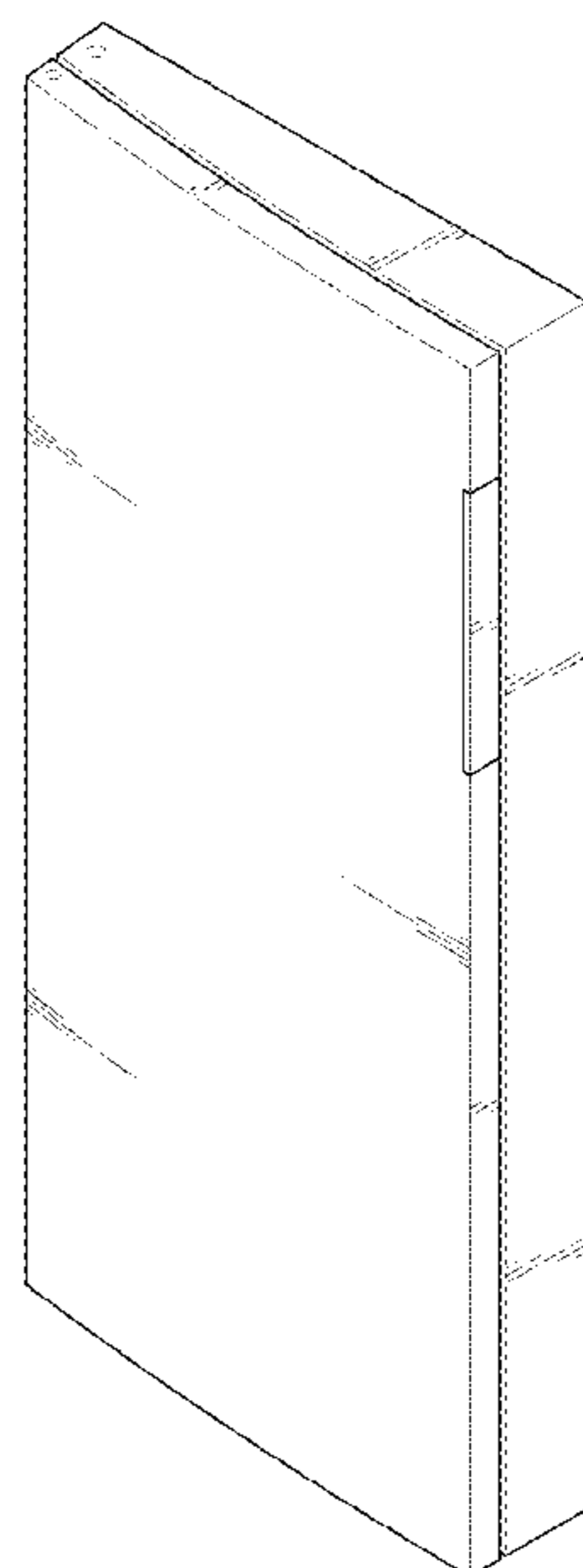


FIG. 1

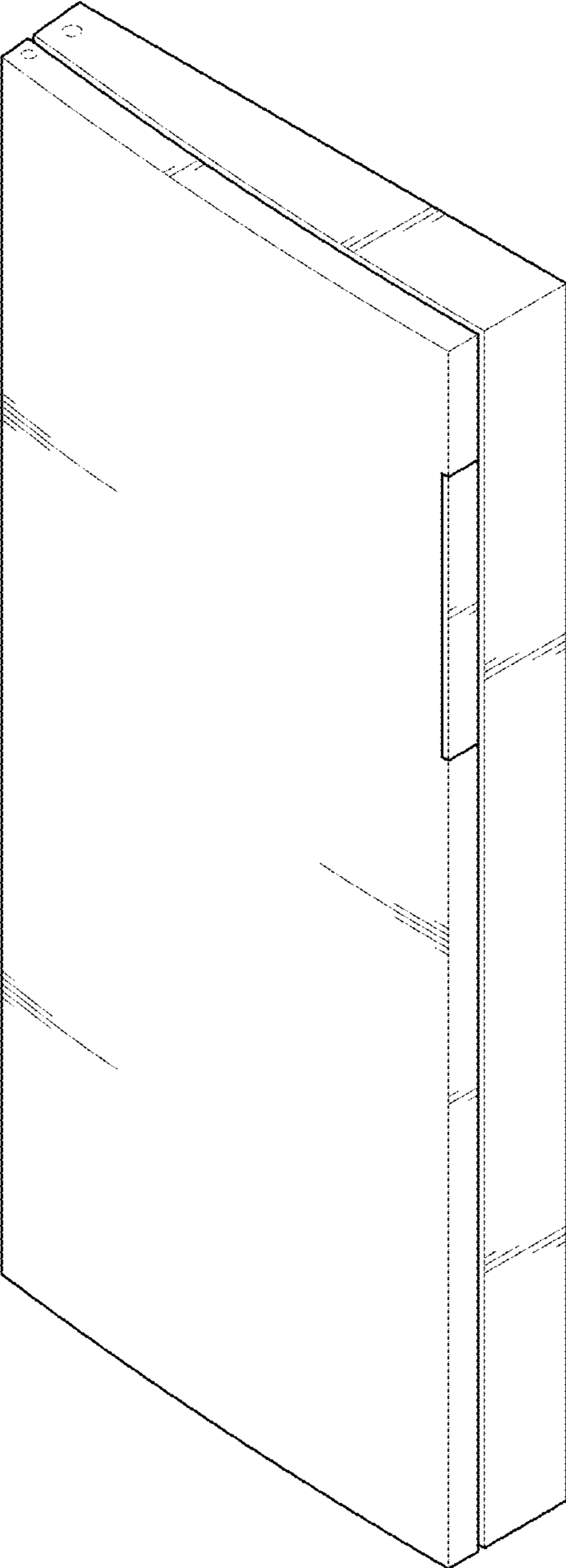


FIG. 2

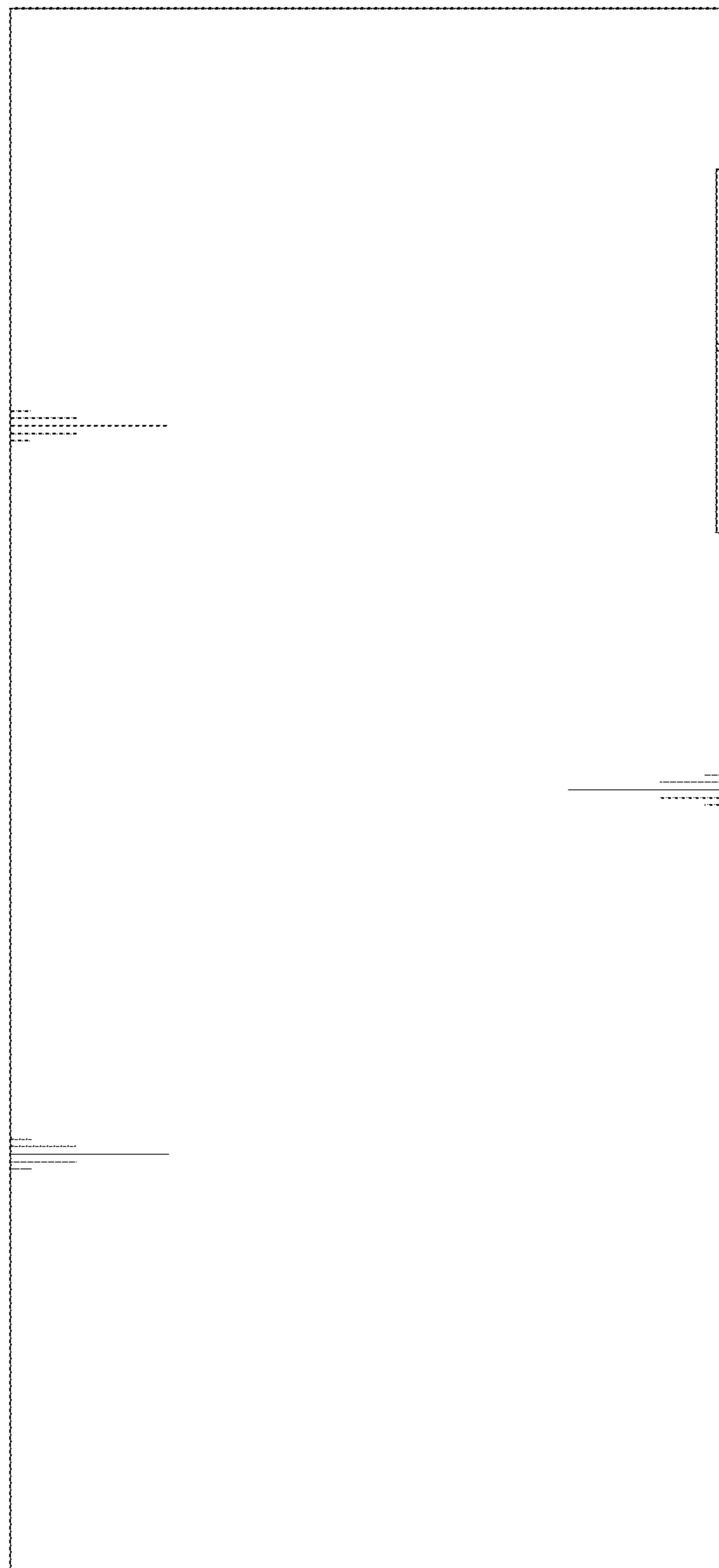


FIG. 3

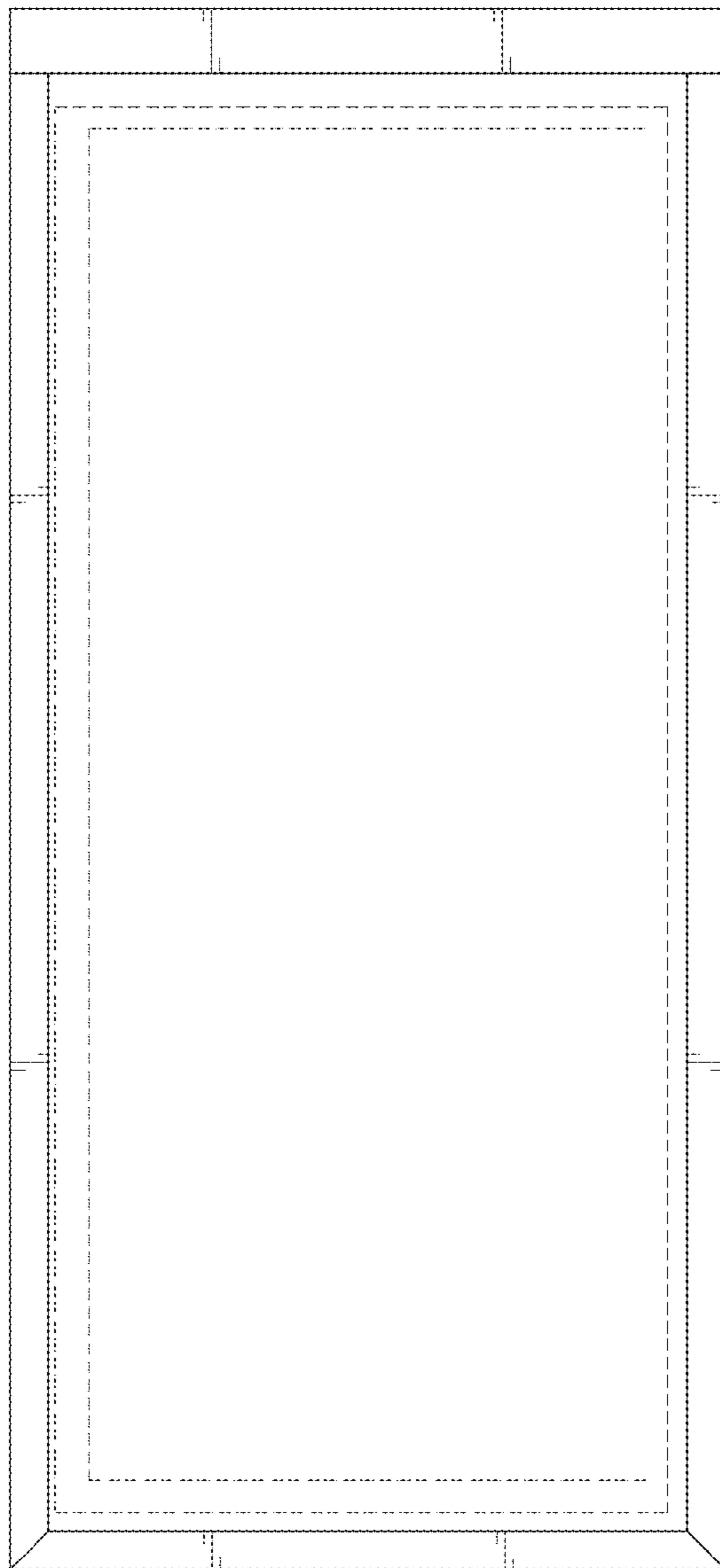


FIG. 4

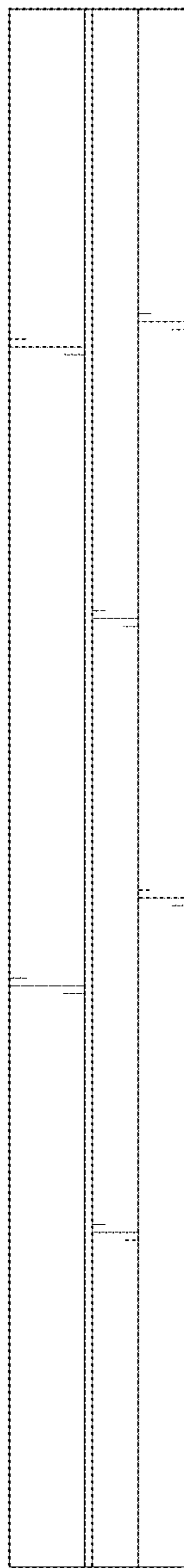


FIG. 5

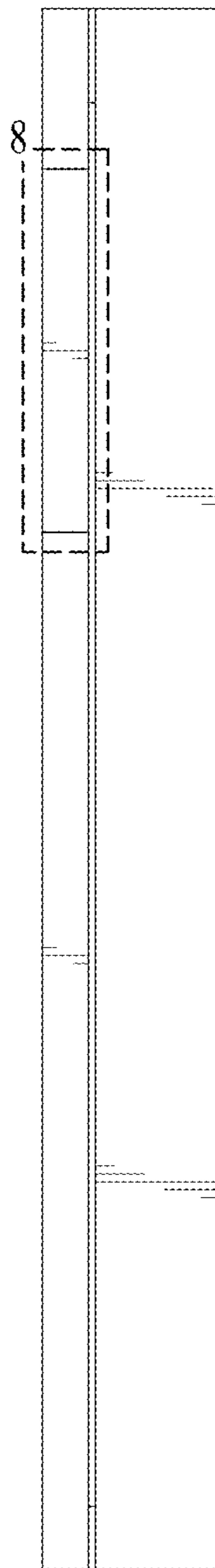


FIG. 6

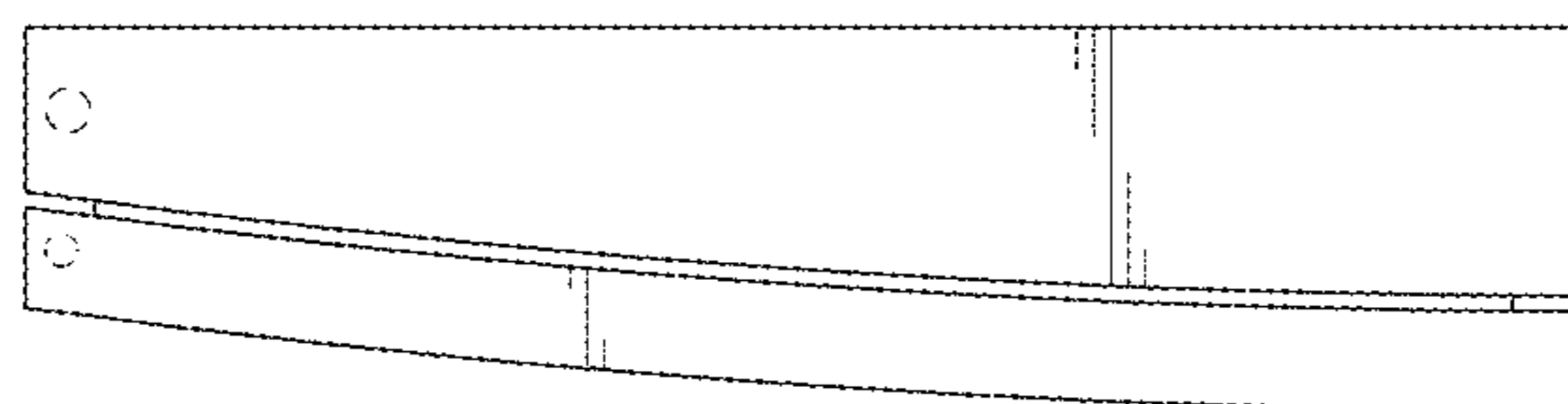


FIG. 7

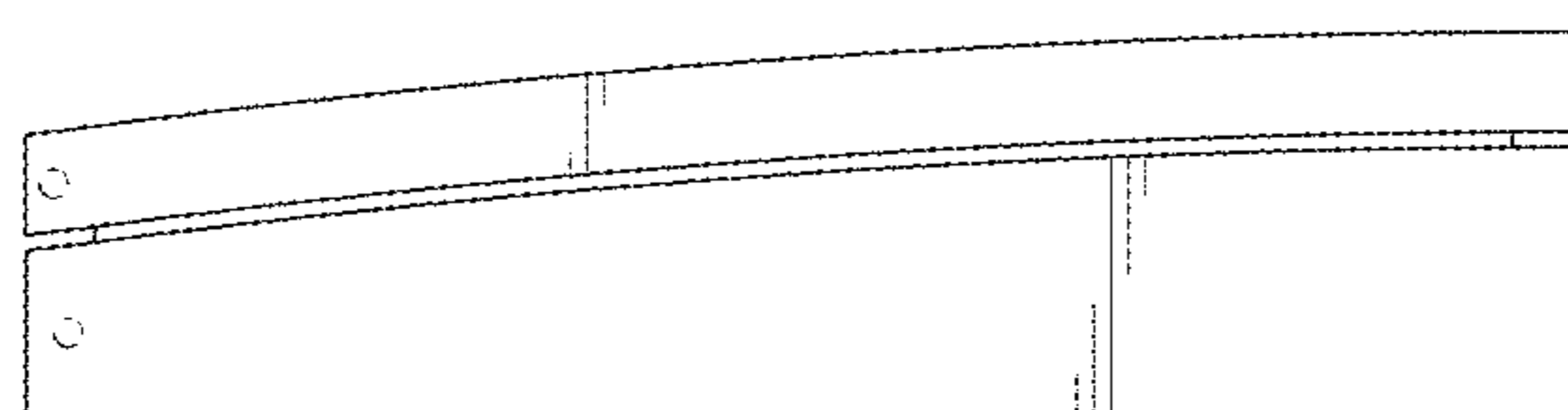


FIG. 8

