



US00D738940S

(12) **United States Design Patent**
Shin et al.

(10) **Patent No.:** **US D738,940 S**

(45) **Date of Patent:** **** Sep. 15, 2015**

(54) **DOOR FOR REFRIGERATOR**

(56) **References Cited**

(71) Applicant: **LG Electronics Inc.**, Seoul (KR)

U.S. PATENT DOCUMENTS

(72) Inventors: **Daekee Shin**, Seoul (KR); **Seongahn Jeon**, Seoul (KR); **Insun Yeo**, Seoul (KR)

D654,516	S	*	2/2012	Saubert et al.	D15/89
D697,094	S	*	1/2014	Coulter et al.	D15/89
D714,365	S	*	9/2014	Jeon et al.	D15/86
D724,115	S	*	3/2015	Jeon et al.	D15/89
D724,121	S	*	3/2015	Choi et al.	D15/91

(73) Assignee: **LG Electronics Inc.**, Seoul (KR)

* cited by examiner

(**) Term: **14 Years**

Primary Examiner — Daniel Bui

Assistant Examiner — Khawaja Anwar

(21) Appl. No.: **29/497,183**

(74) *Attorney, Agent, or Firm* — Morgan, Lewis & Bockius LLP

(22) Filed: **Jul. 22, 2014**

(57) **CLAIM**

The ornamental design for a door for refrigerator, as shown and described.

(30) **Foreign Application Priority Data**

DESCRIPTION

Jan. 22, 2014 (KR) 30-2014-0003739

(51) **LOC (10) Cl.** **15-07**

(52) **U.S. Cl.**

USPC **D15/89**; D15/91

(58) **Field of Classification Search**

USPC D15/79–91

CPC F25B 21/02; F25B 2321/02; F25B 1/005;

F25B 2321/0252; F25B 1/00; F25B 1/10;

F25B 21/04; F25B 2339/047; F25B 5/02;

F25B 7/00; F25B 13/00; F25B 1/053; F25B

2309/06; F25B 2321/021; F25B 2321/023;

F25D 23/028; F25D 23/02; F25D 25/025;

F25D 23/00; F25D 2323/021; F25D 11/00;

F25D 2323/024; F25D 23/04; F25D 29/00;

F25D 25/02; F25D 25/024; F25D 27/005;

F25D 23/12; F25D 29/005; F25D 17/042;

F25D 2325/021

See application file for complete search history.

FIG. 1 is a rear perspective view of a door for refrigerator showing our new design;

FIG. 2 is a front view thereof;

FIG. 3 is a rear view thereof;

FIG. 4 is a left side view thereof;

FIG. 5 is a right side view thereof;

FIG. 6 is a top plan view thereof;

FIG. 7 is a bottom plan view thereof;

FIG. 8 is a front perspective view thereof;

FIG. 9 is a perspective view thereof, in use condition;

FIG. 10 is a rear perspective view thereof, in an alternate position;

FIG. 11 is a rear view thereof;

FIG. 12 is a left side view thereof; and,

FIG. 13 is a right side view thereof.

The broken line in the figure drawings represents unclaimed environment only and forms no part of the claimed design.

1 Claim, 13 Drawing Sheets

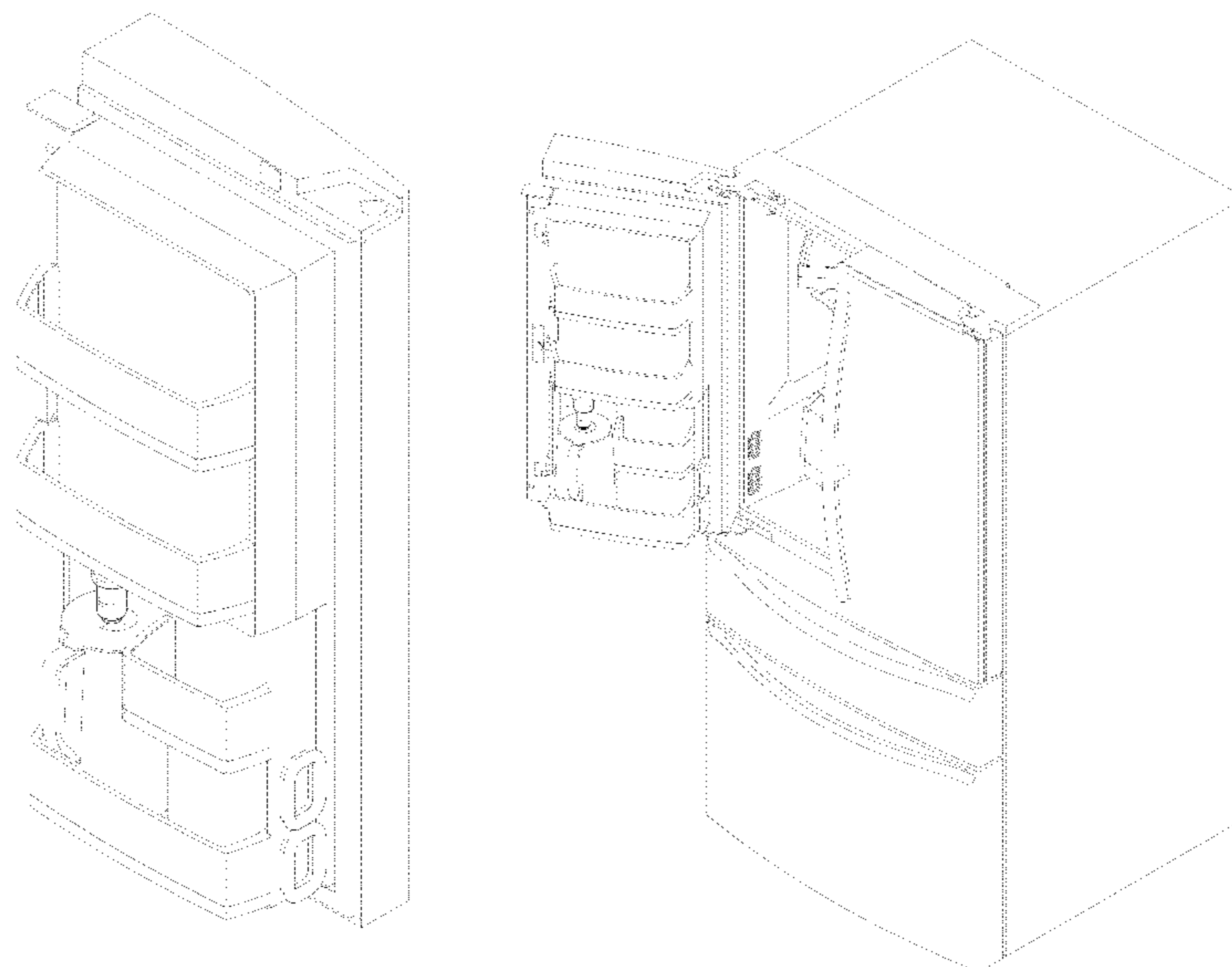


FIG. 1

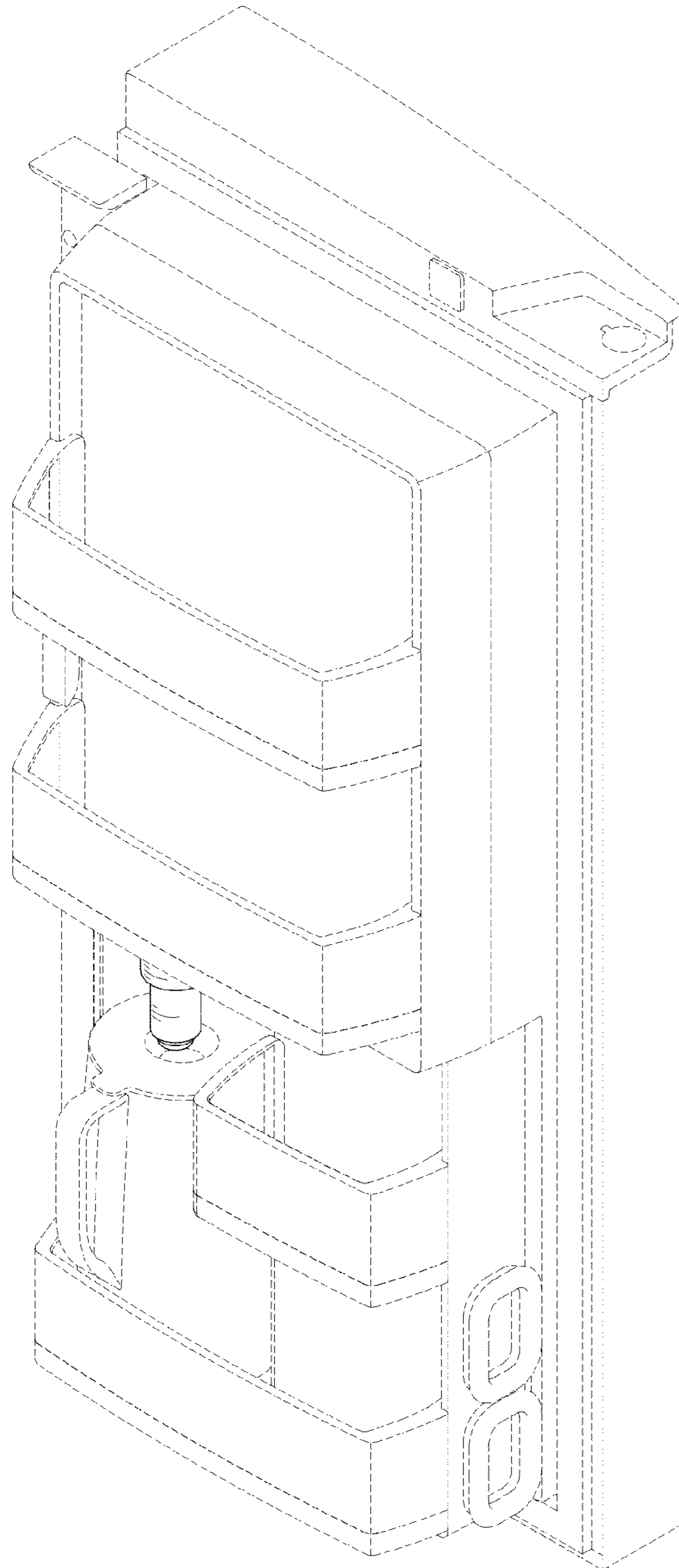


FIG. 2

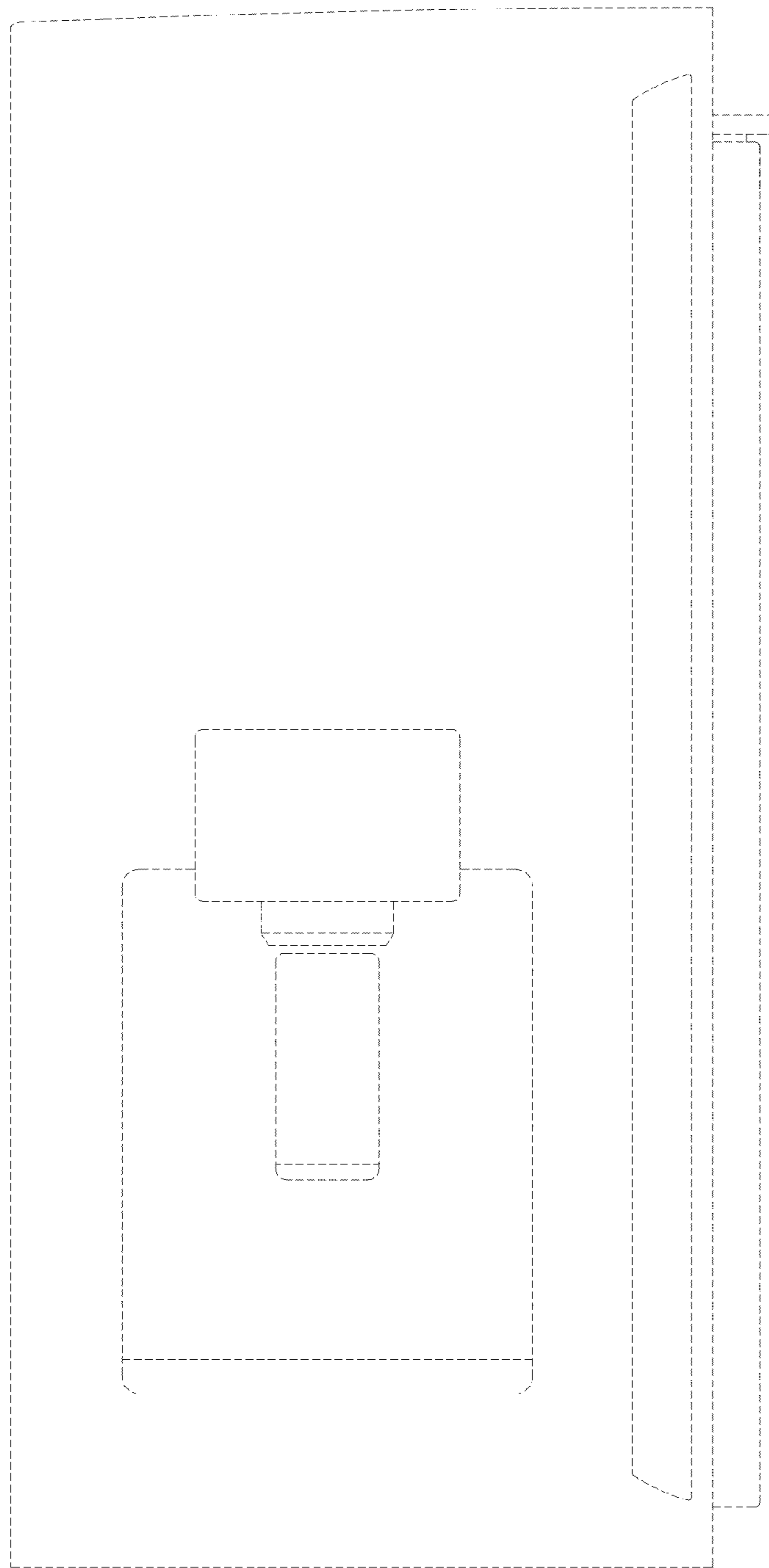


FIG. 3

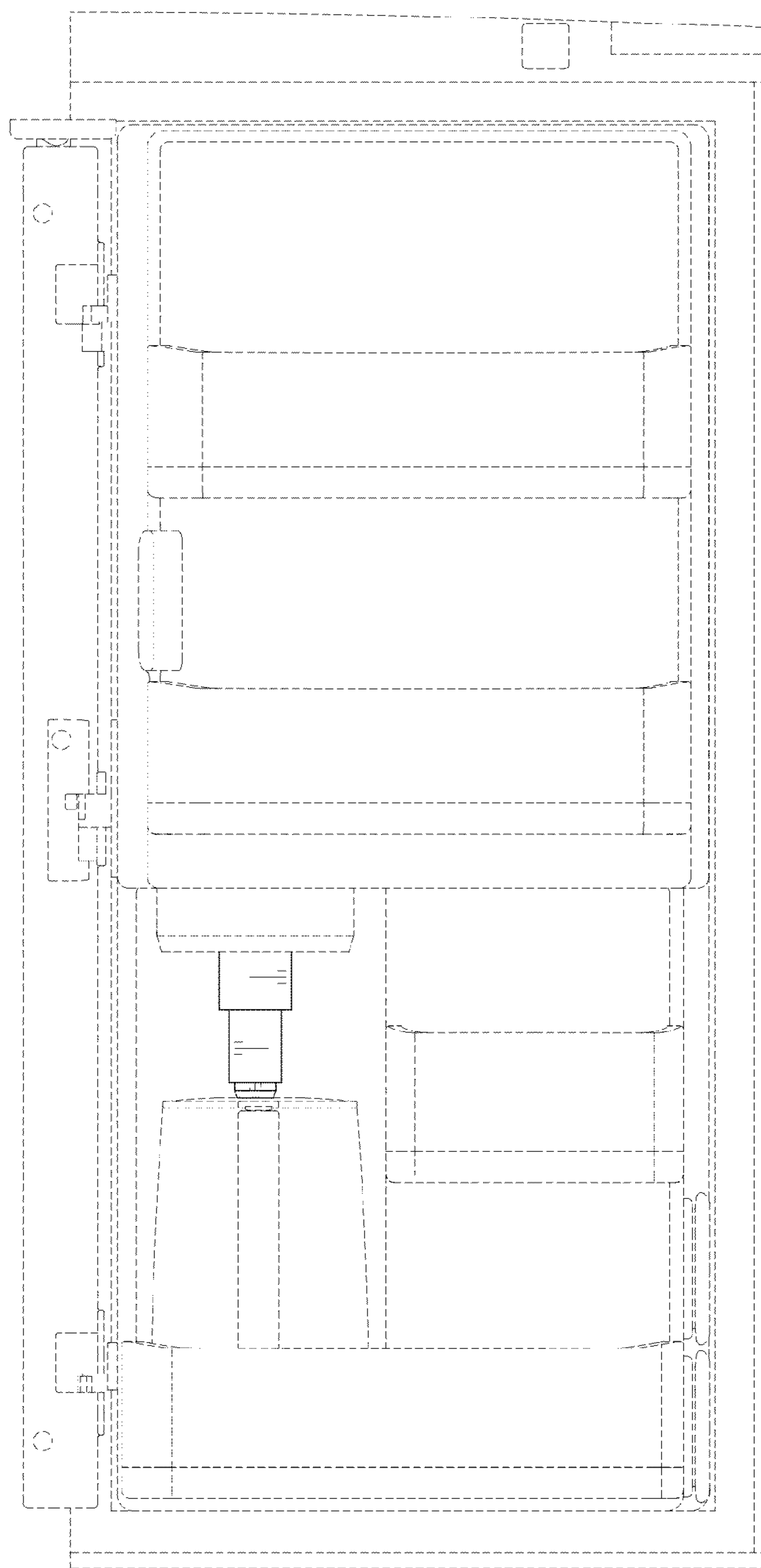


FIG. 4

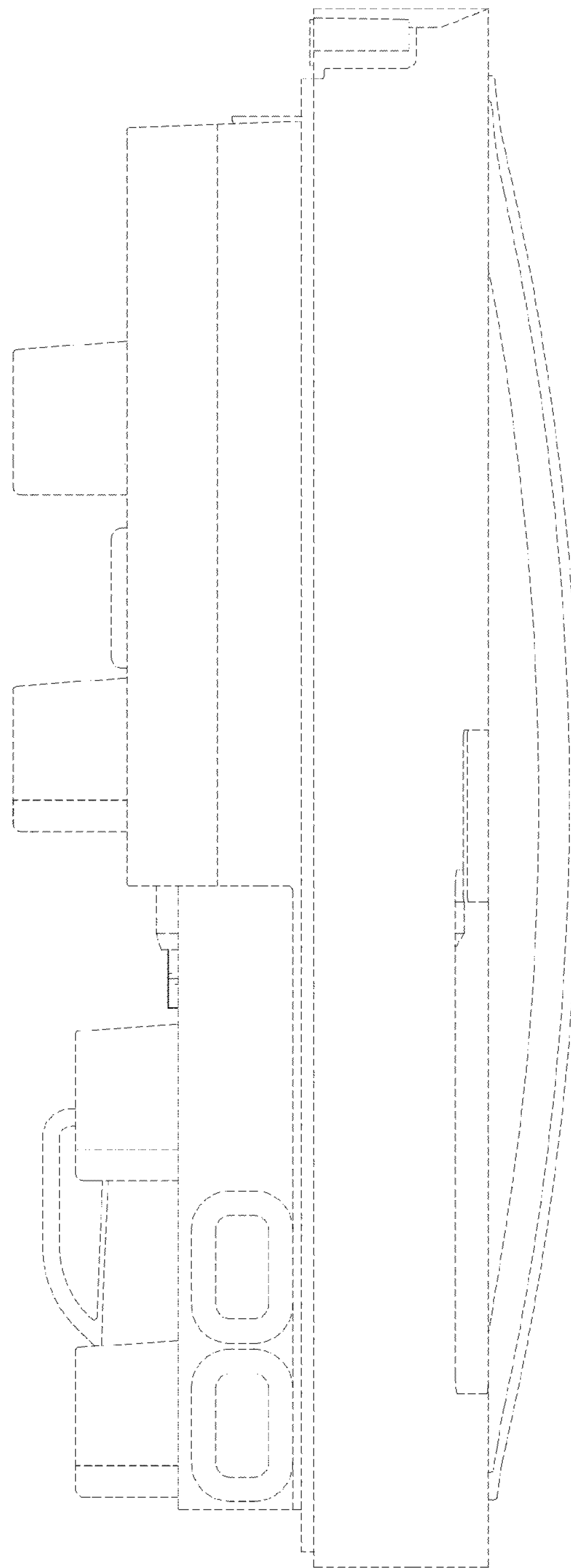


FIG. 5

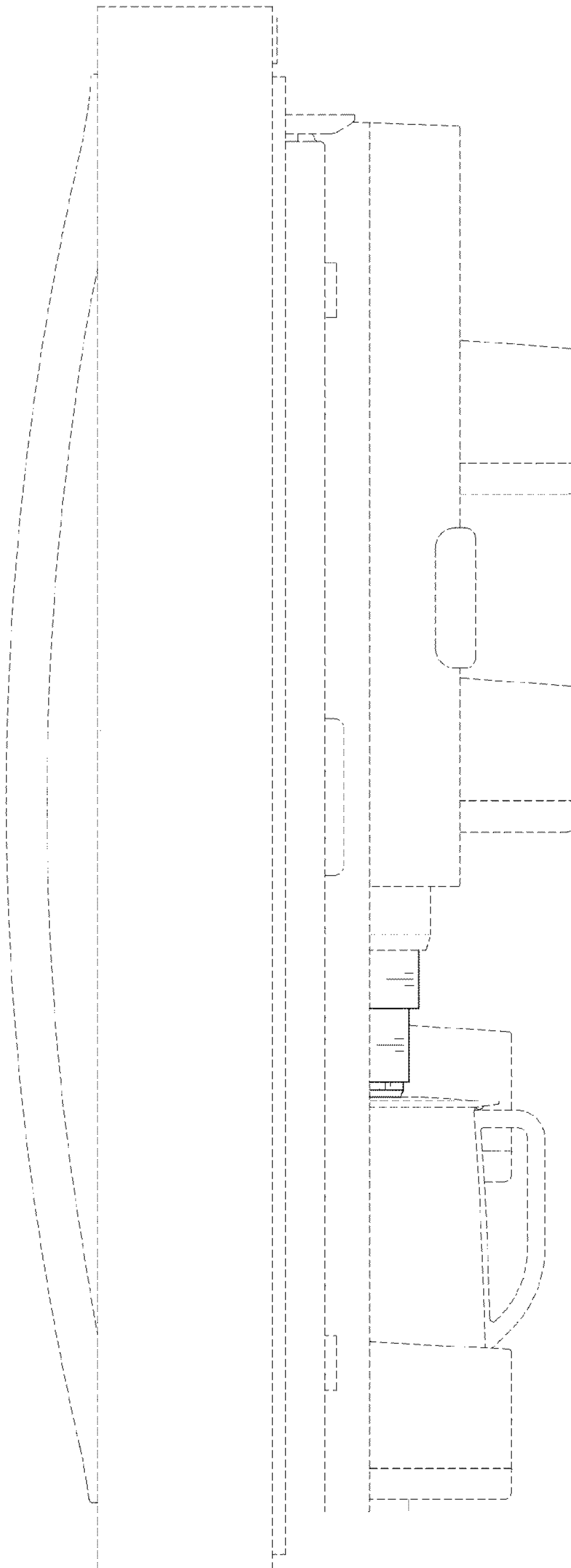


FIG. 6

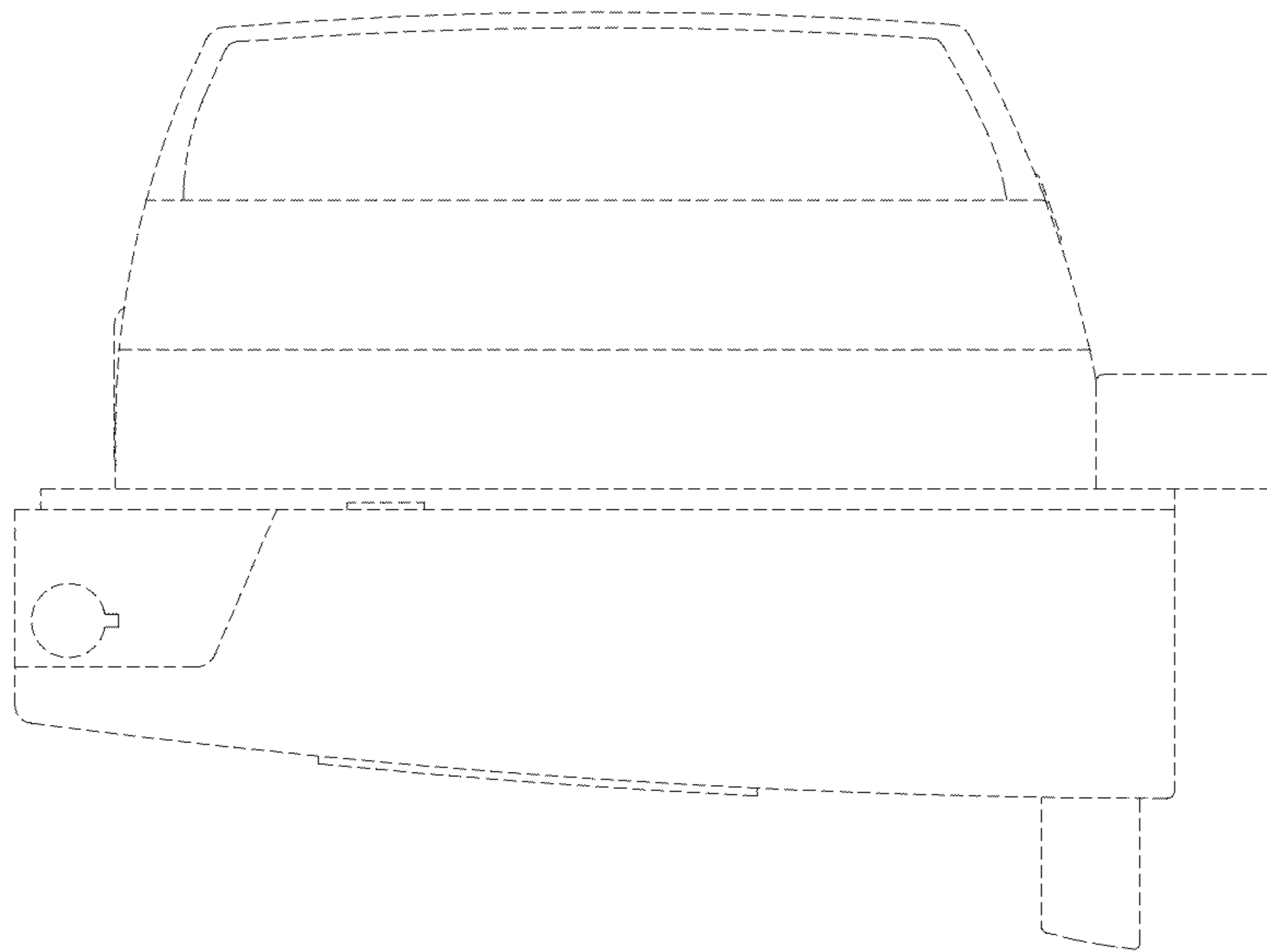


FIG. 7

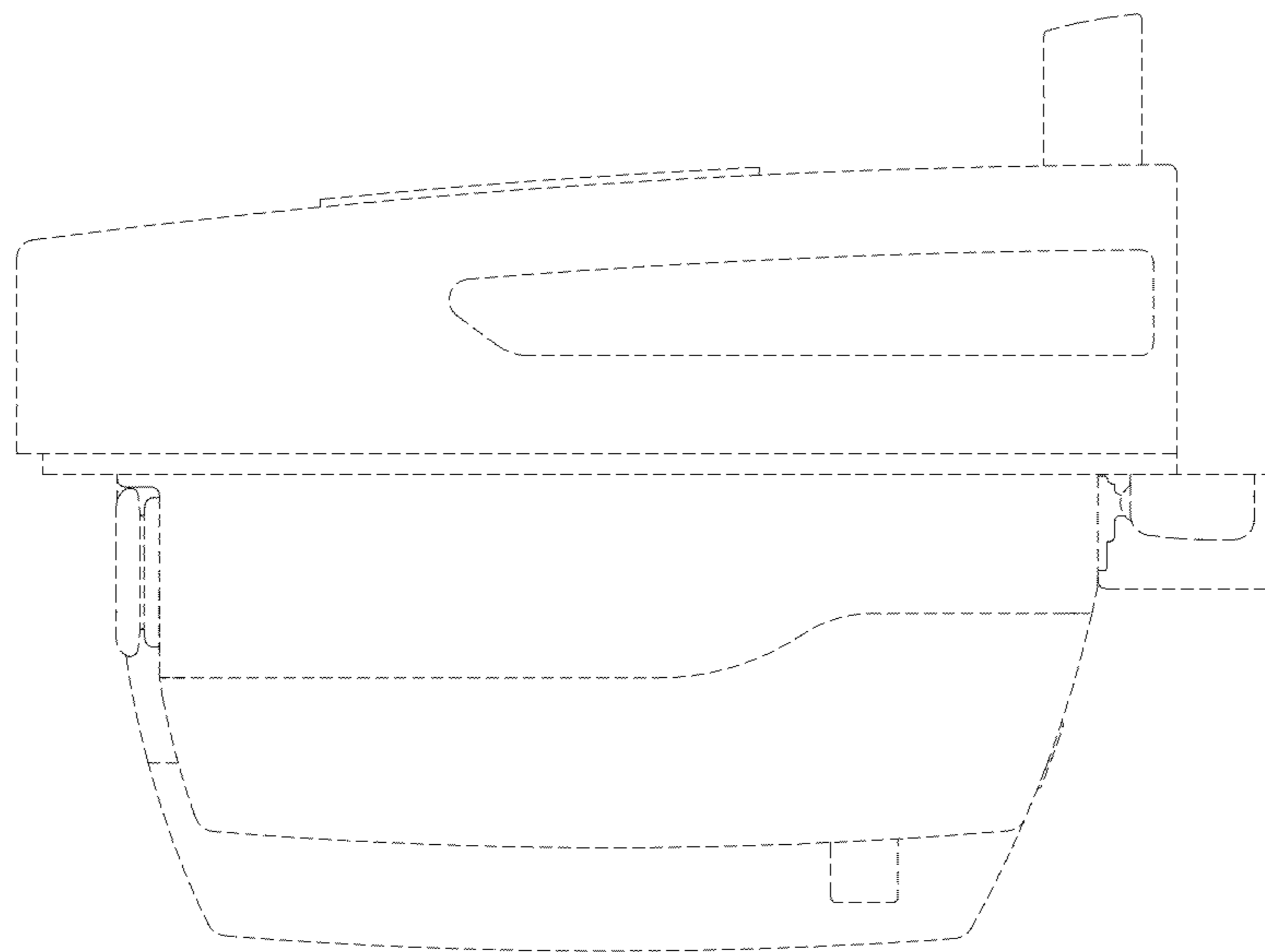


FIG. 8

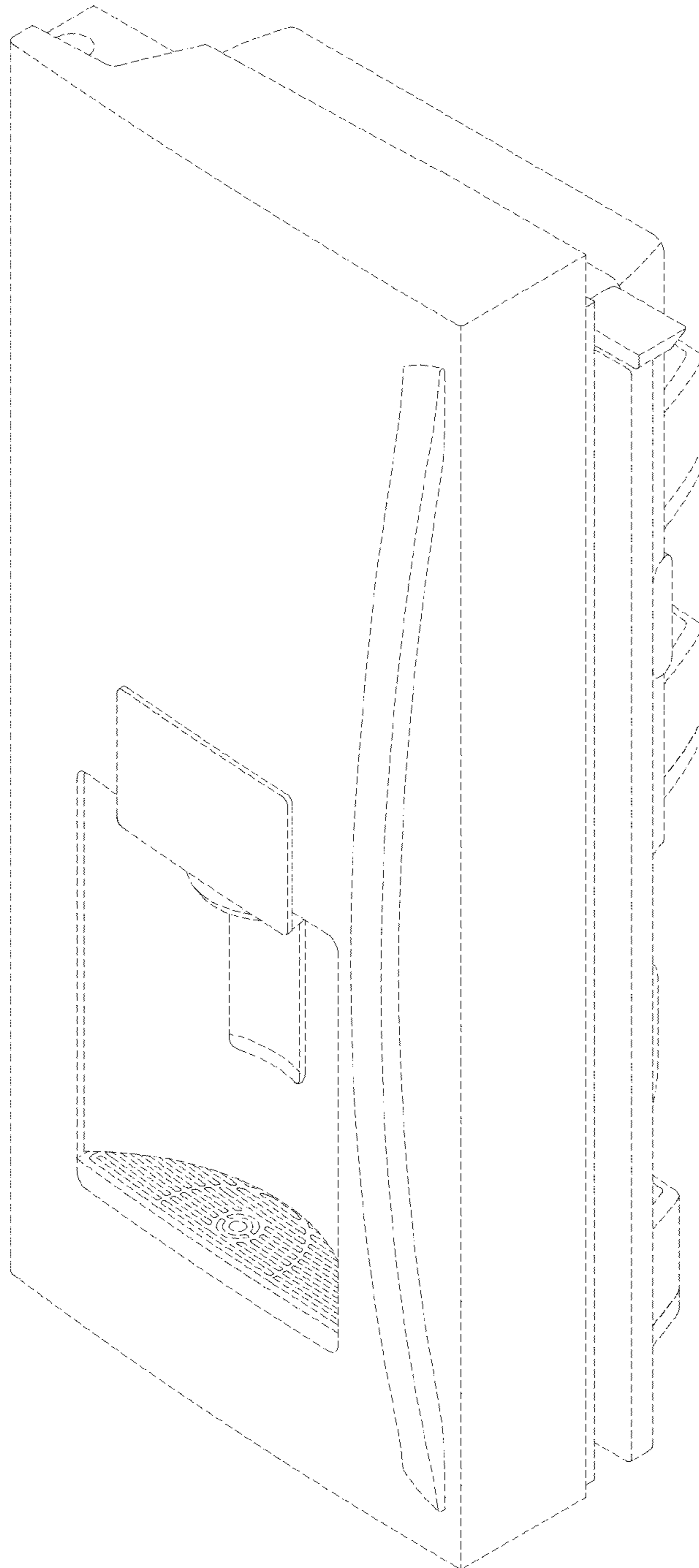


FIG. 9

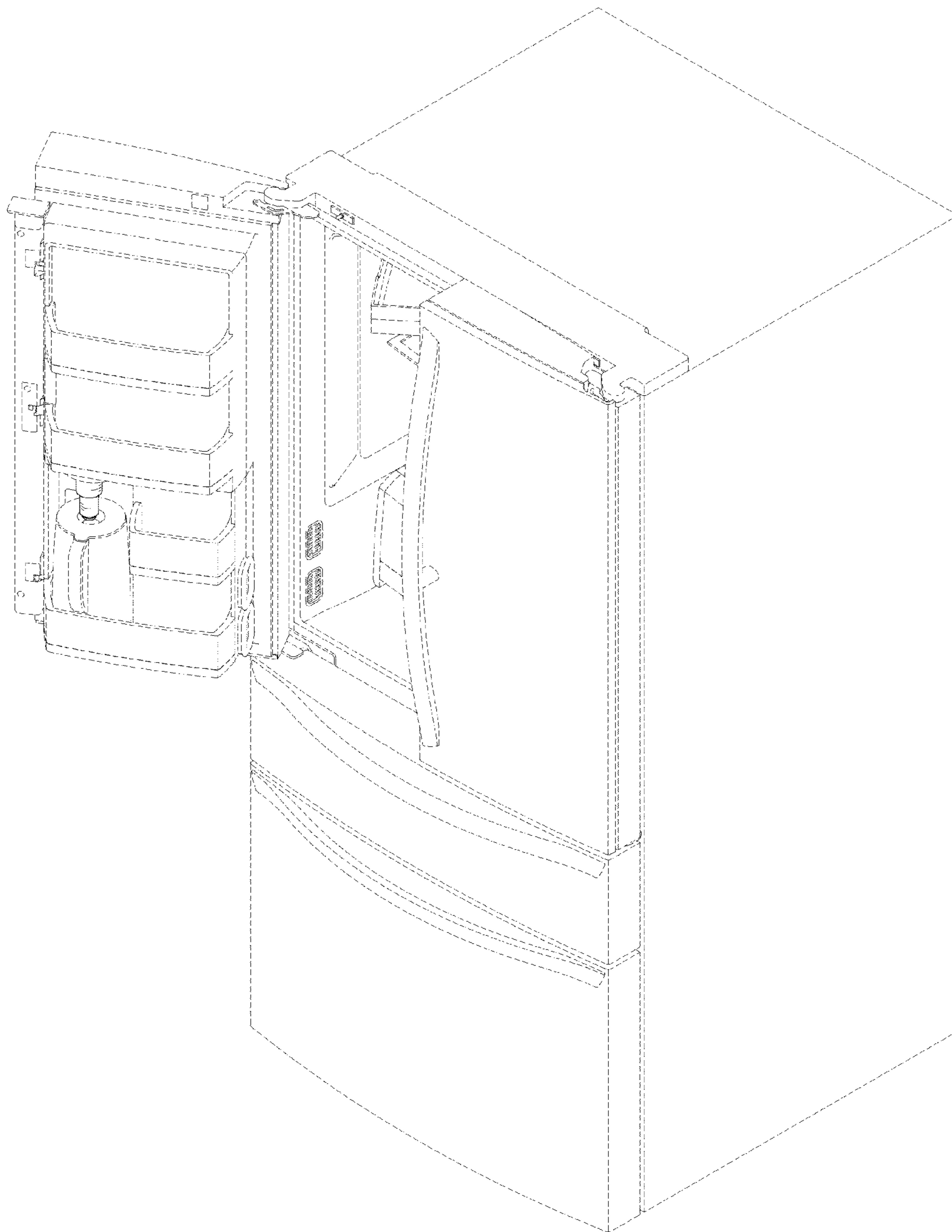


FIG. 10

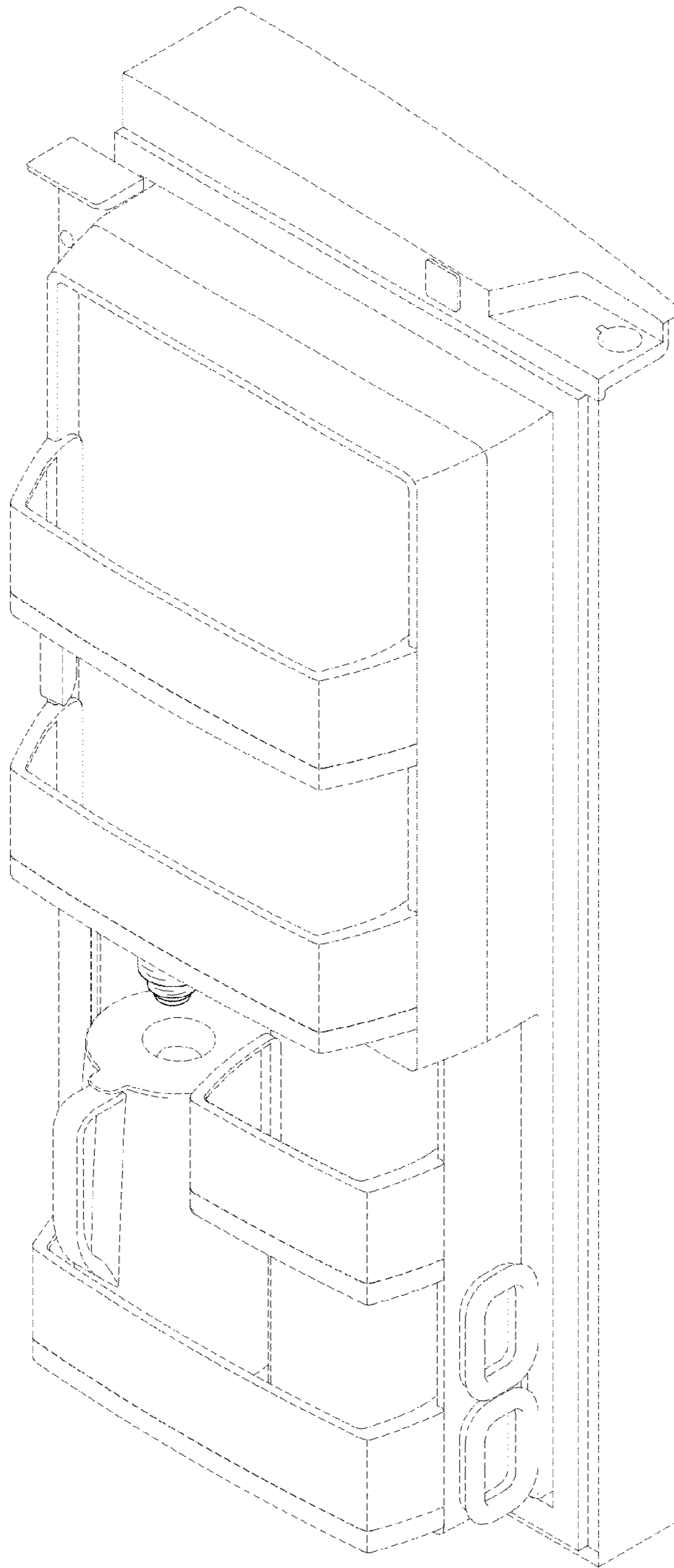


FIG. 11

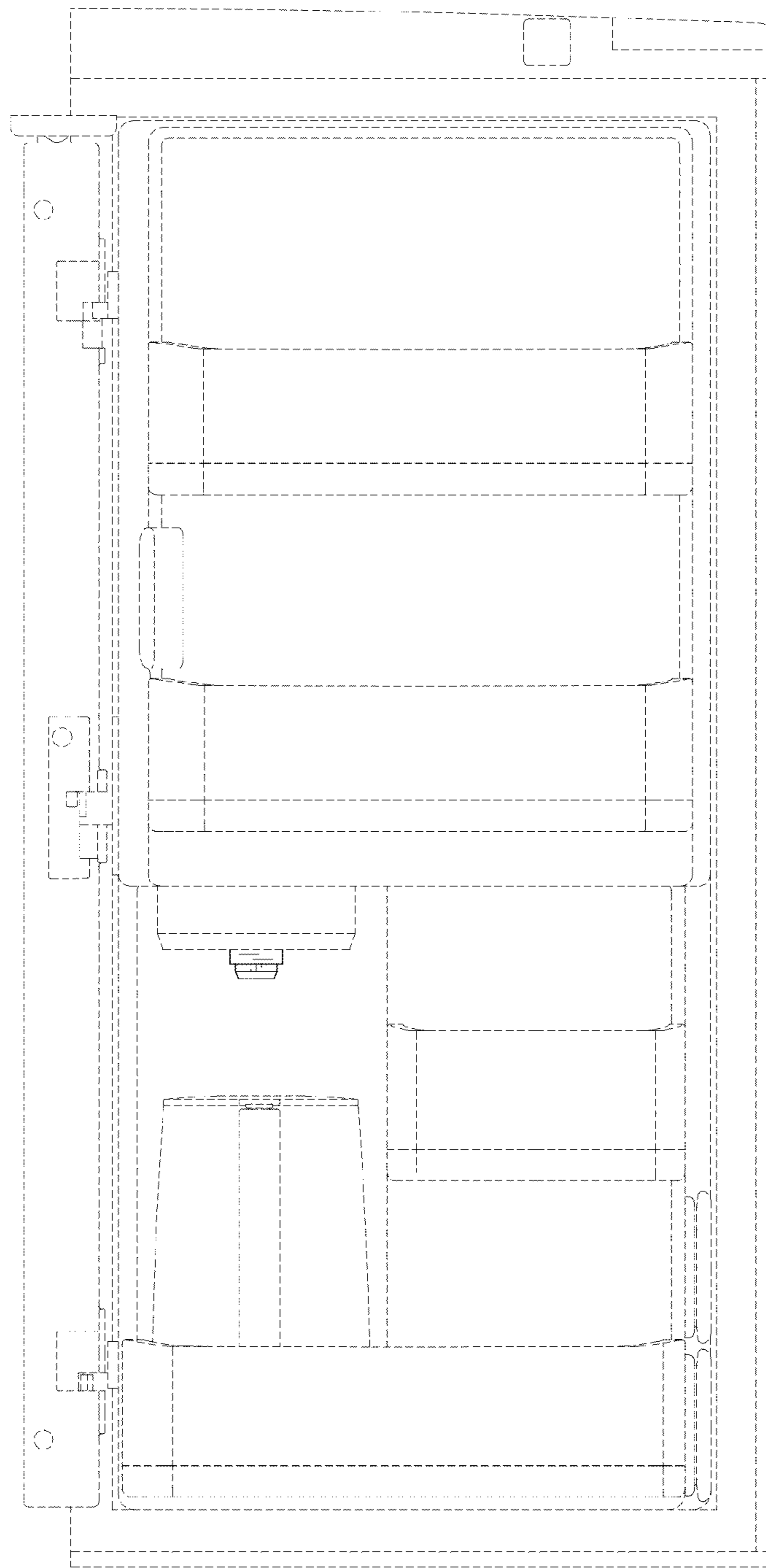


FIG. 12

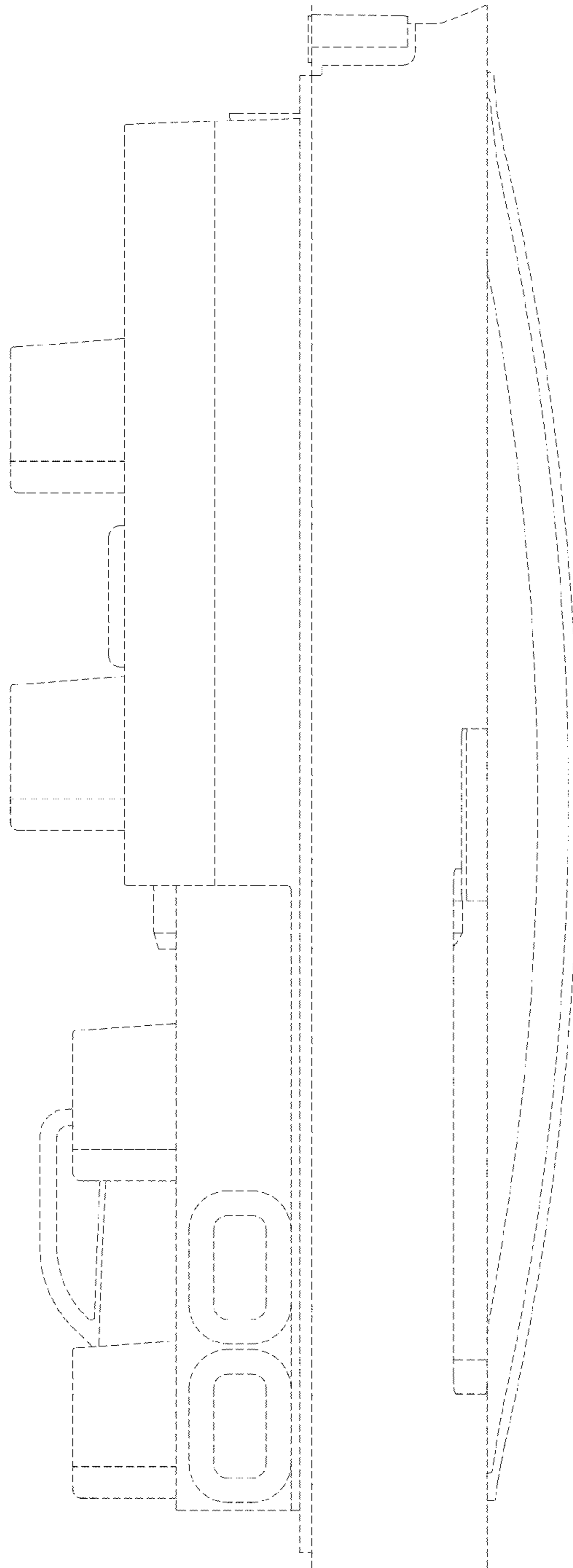


FIG. 13

