



US00D738937S

(12) **United States Design Patent**
Crow

(10) **Patent No.:** **US D738,937 S**

(45) **Date of Patent:** **** Sep. 15, 2015**

(54) **YARN CONE HOLDER**

D447,755 S * 9/2001 Howard D15/72
D565,608 S * 4/2008 Hirate et al. D15/72
D692,928 S * 11/2013 Crow D15/78

(71) Applicant: **Mitchell A. Crow**, Dalton, GA (US)

* cited by examiner

(72) Inventor: **Mitchell A. Crow**, Dalton, GA (US)

Primary Examiner — Mitchell Siegel

(**) Term: **14 Years**

(74) *Attorney, Agent, or Firm* — Rodgers & Rodgers

(21) Appl. No.: **29/506,622**

(57) **CLAIM**

(22) Filed: **Oct. 17, 2014**

The ornamental design for a yarn cone holder, as shown and described.

(51) **LOC (10) Cl.** **15-06**

(52) **U.S. Cl.**
USPC **D15/78**

DESCRIPTION

(58) **Field of Classification Search**
USPC D15/66-78
CPC B65H 49/00; B65H 65/00; B65H 75/02;
B65H 75/12

FIG. 1 is a perspective view of a yarn cone holder showing my new design;
FIG. 2 is a front elevational view thereof;
FIG. 3 is a right-side elevational view thereof;
FIG. 4 is a top plan view thereof;
FIG. 5 is a bottom plan view thereof;
FIG. 6 is a left-side elevational view thereof; and,
FIG. 7 is a rear elevational view thereof.

See application file for complete search history.

(56) **References Cited**

U.S. PATENT DOCUMENTS

4,705,231 A * 11/1987 Green 242/130

1 Claim, 3 Drawing Sheets

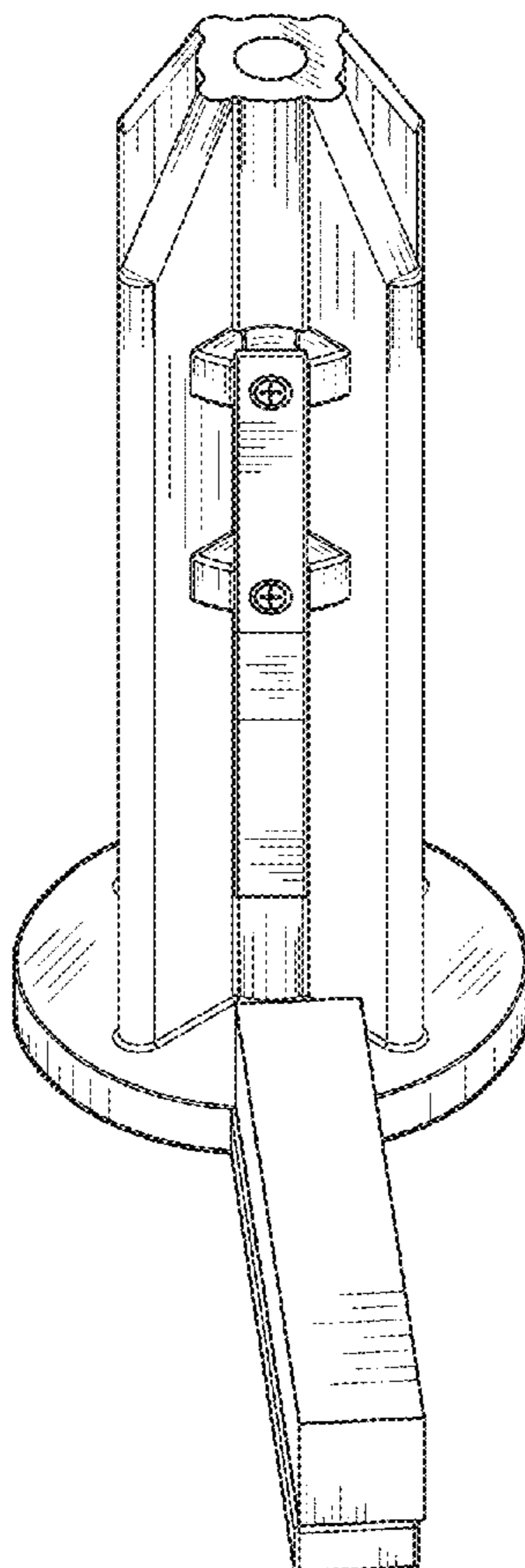


Fig 1

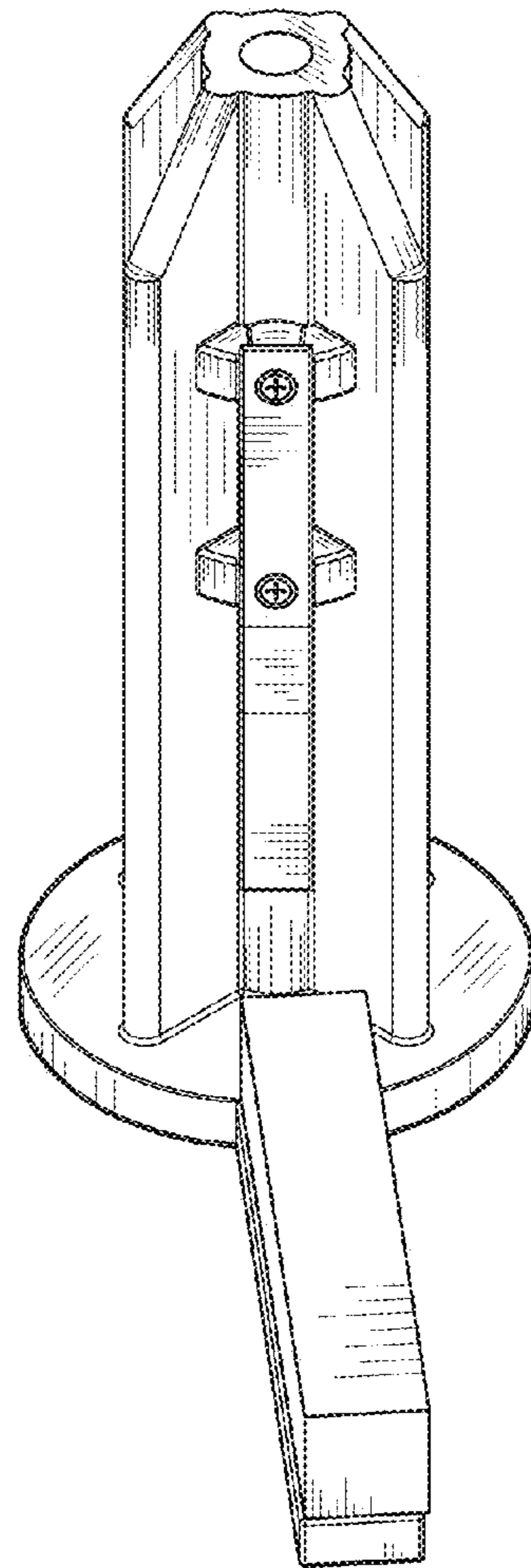


Fig 2

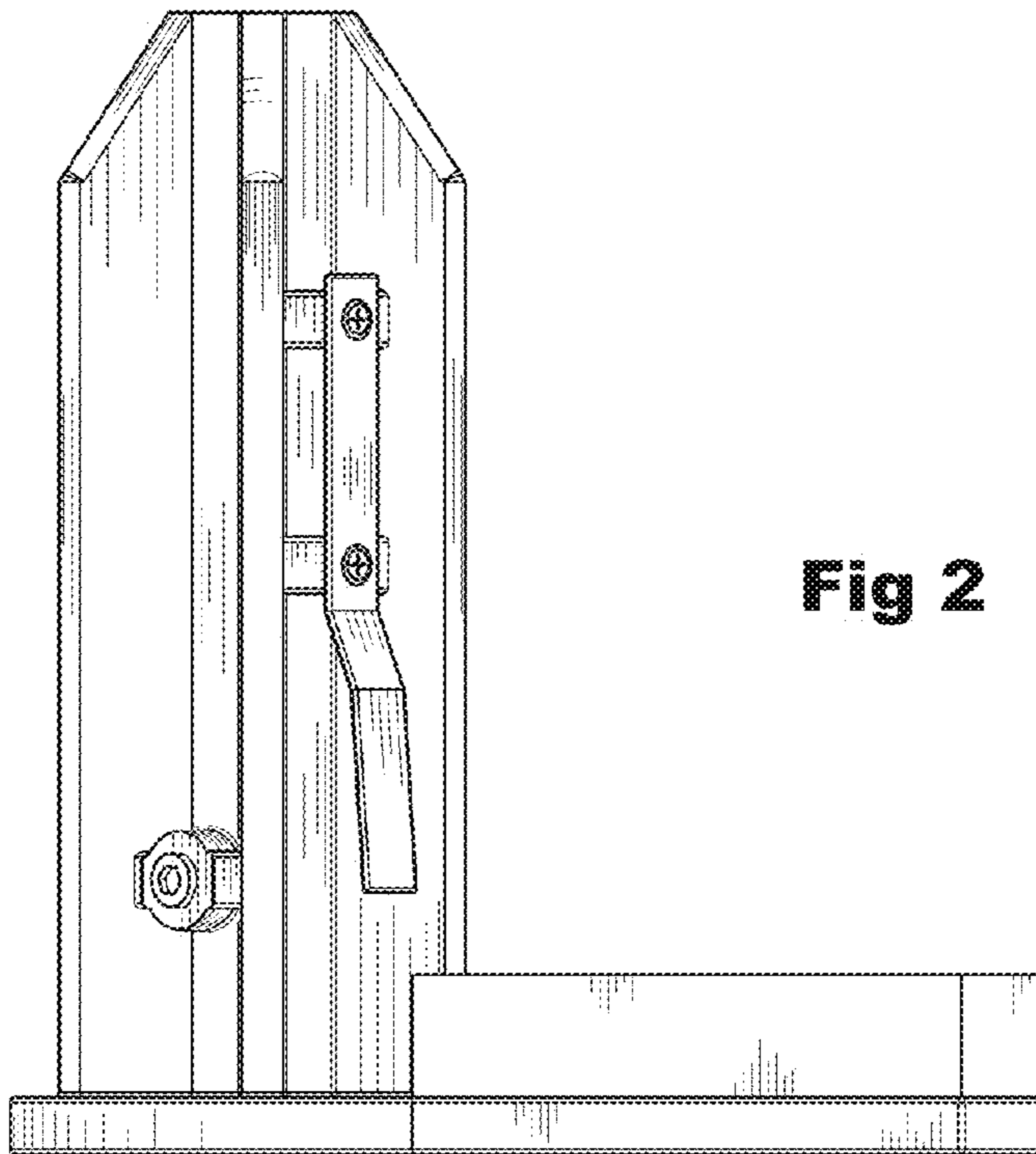


Fig 3

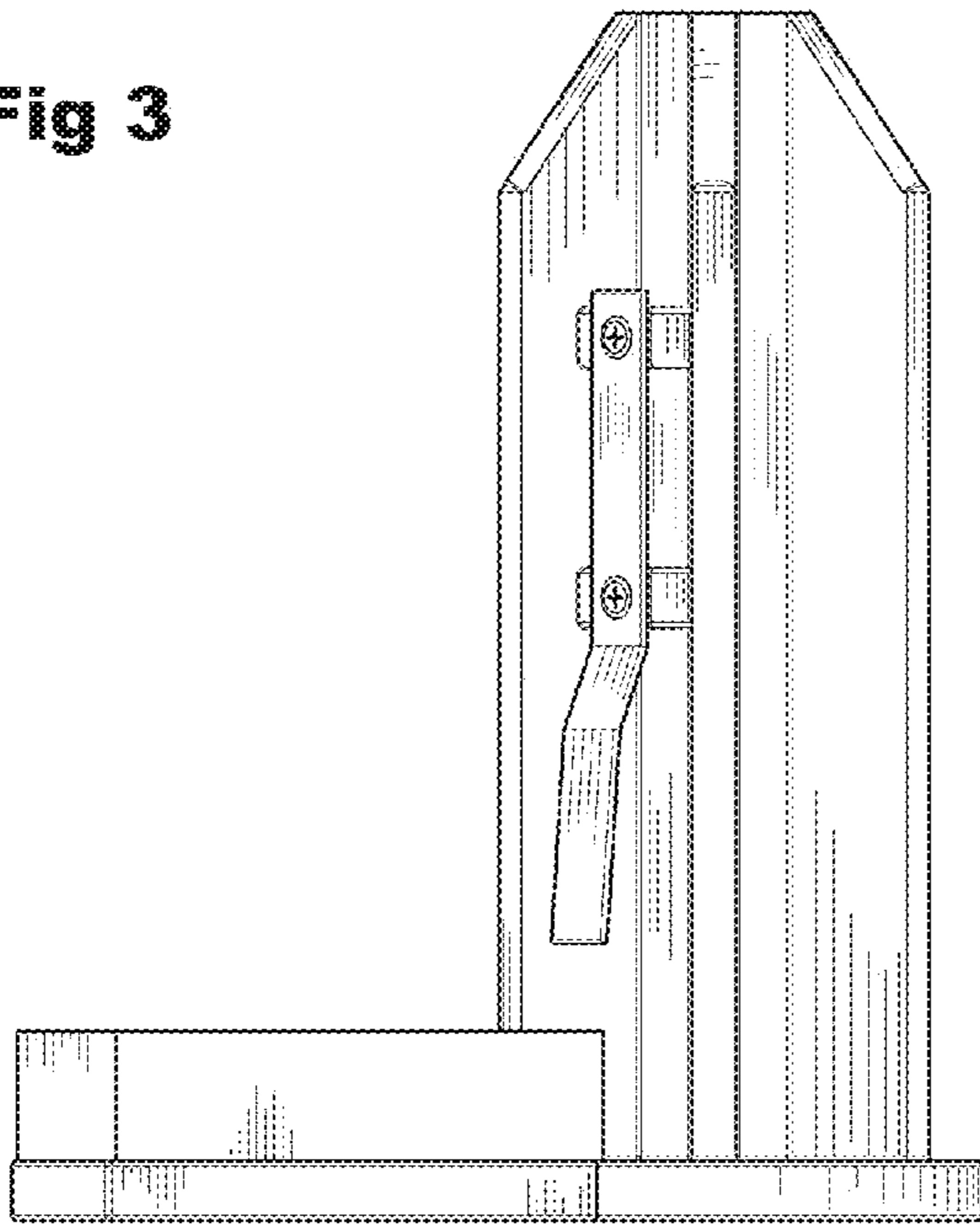


Fig 5

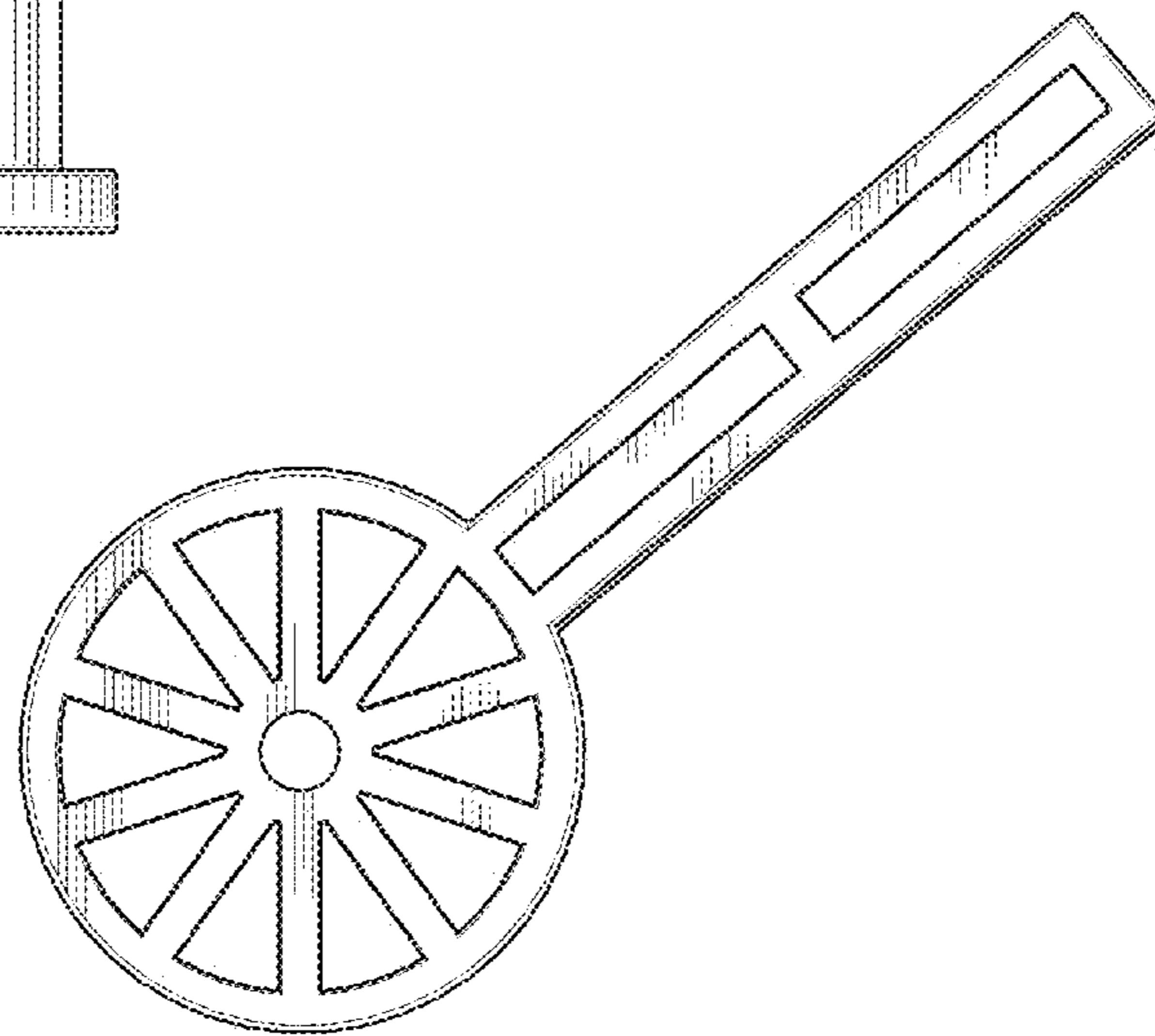


Fig 4

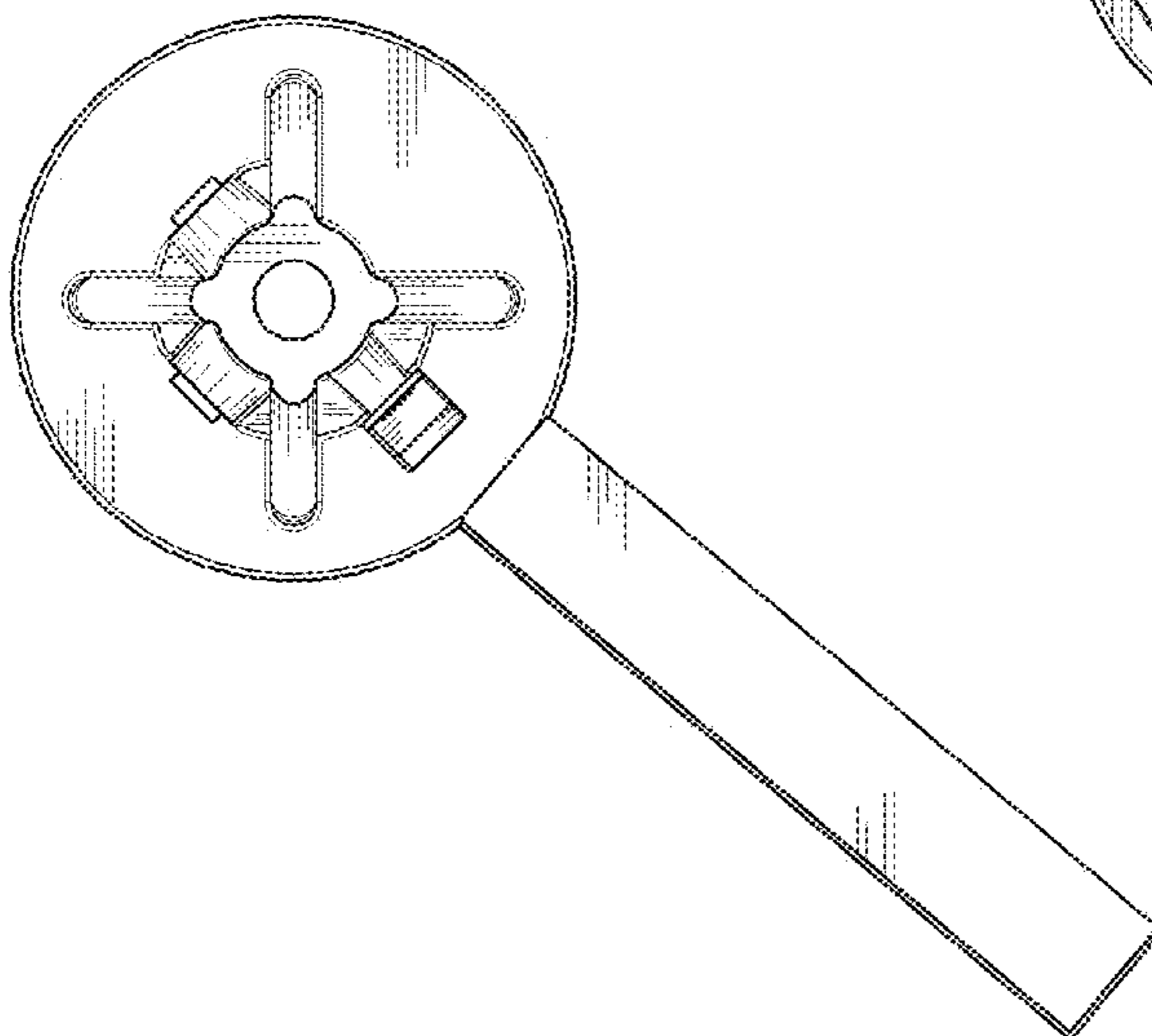


Fig 6

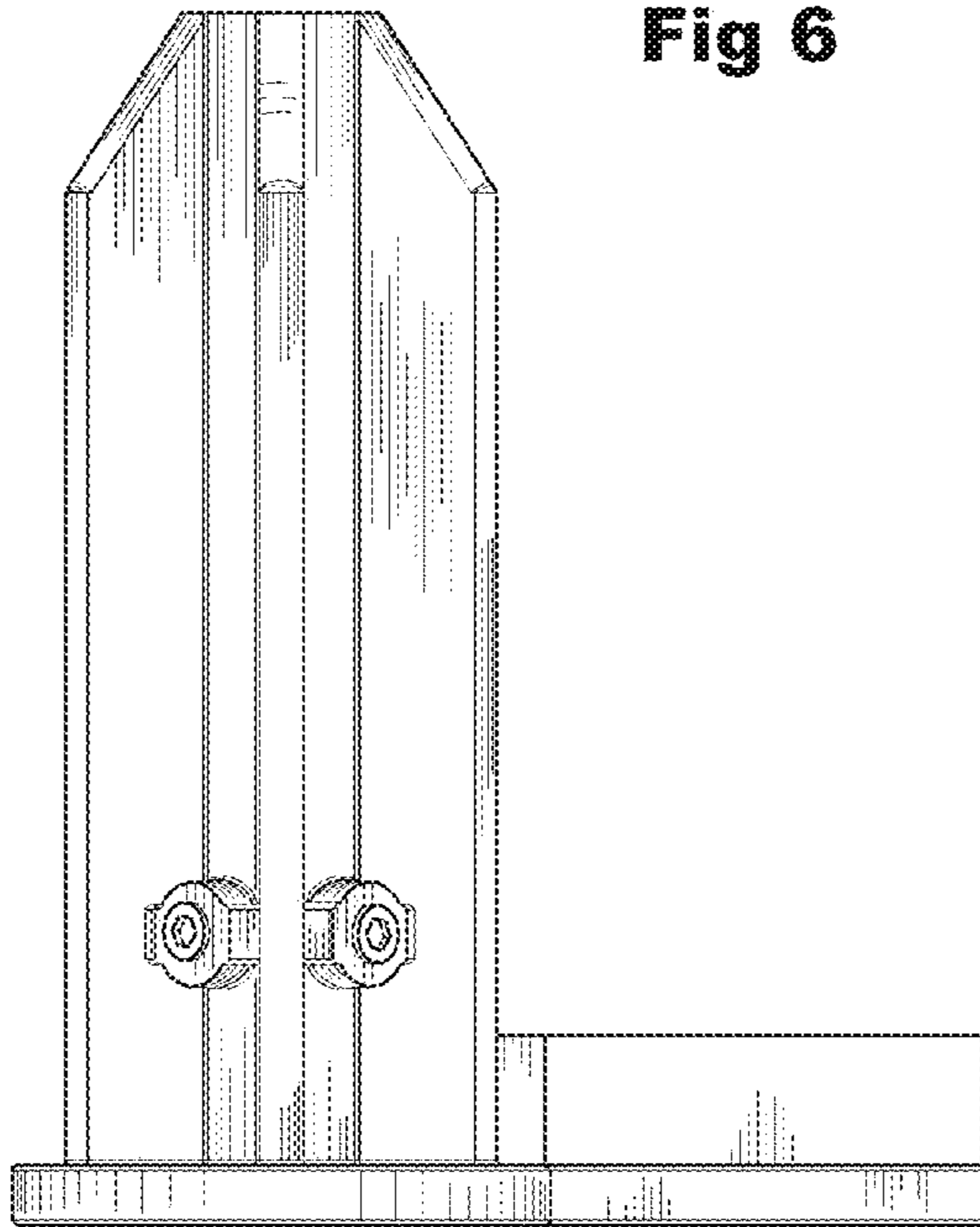


Fig 7

