



US00D738935S

(12) **United States Design Patent**
Chu

(10) **Patent No.:** **US D738,935 S**

(45) **Date of Patent:** **** Sep. 15, 2015**

(54) **CAP FOR AIR COMPRESSOR**

(71) Applicant: **Henry C. Chu**, Orange, CA (US)

(72) Inventor: **Henry C. Chu**, Orange, CA (US)

(**) Term: **14 Years**

(21) Appl. No.: **29/496,553**

(22) Filed: **Jul. 15, 2014**

(51) **LOC (10) Cl.** **15-02**

(52) **U.S. Cl.**
USPC **D15/9**

(58) **Field of Classification Search**
USPC D15/7-9; D23/231, 232, 225; 417/60,
417/235, 265, 321, 355, 358, 363, 359,
417/410.1, 415-416, 405, 900, 312, 269;
60/408, 412; 184/26-37; 415/140-147;
123/495, 509
CPC F04B 39/00; F04B 1/12; F04B 11/00;
F04B 39/12; F01N 7/10
See application file for complete search history.

(56) **References Cited**

U.S. PATENT DOCUMENTS

D469,111 S * 1/2003 Morita et al. D15/9
D603,874 S * 11/2009 Chu D15/9
D649,165 S * 11/2011 Nam D15/9

D652,845 S * 1/2012 Nam D15/9
D654,508 S * 2/2012 Foreman D15/7
D700,628 S * 3/2014 Chu D15/9

* cited by examiner

Primary Examiner — Ralf Seifert

(74) *Attorney, Agent, or Firm* — Charles E. Baxley

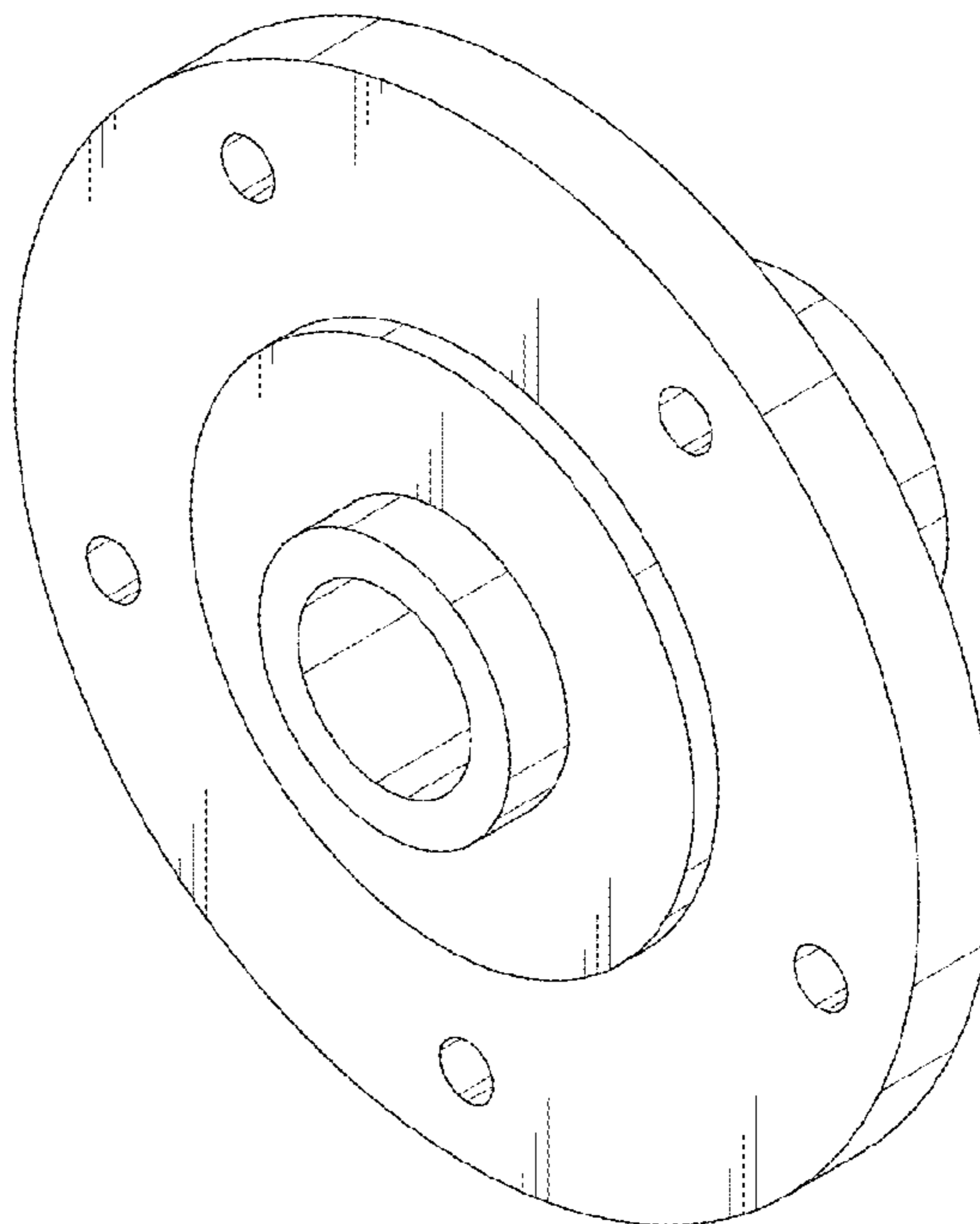
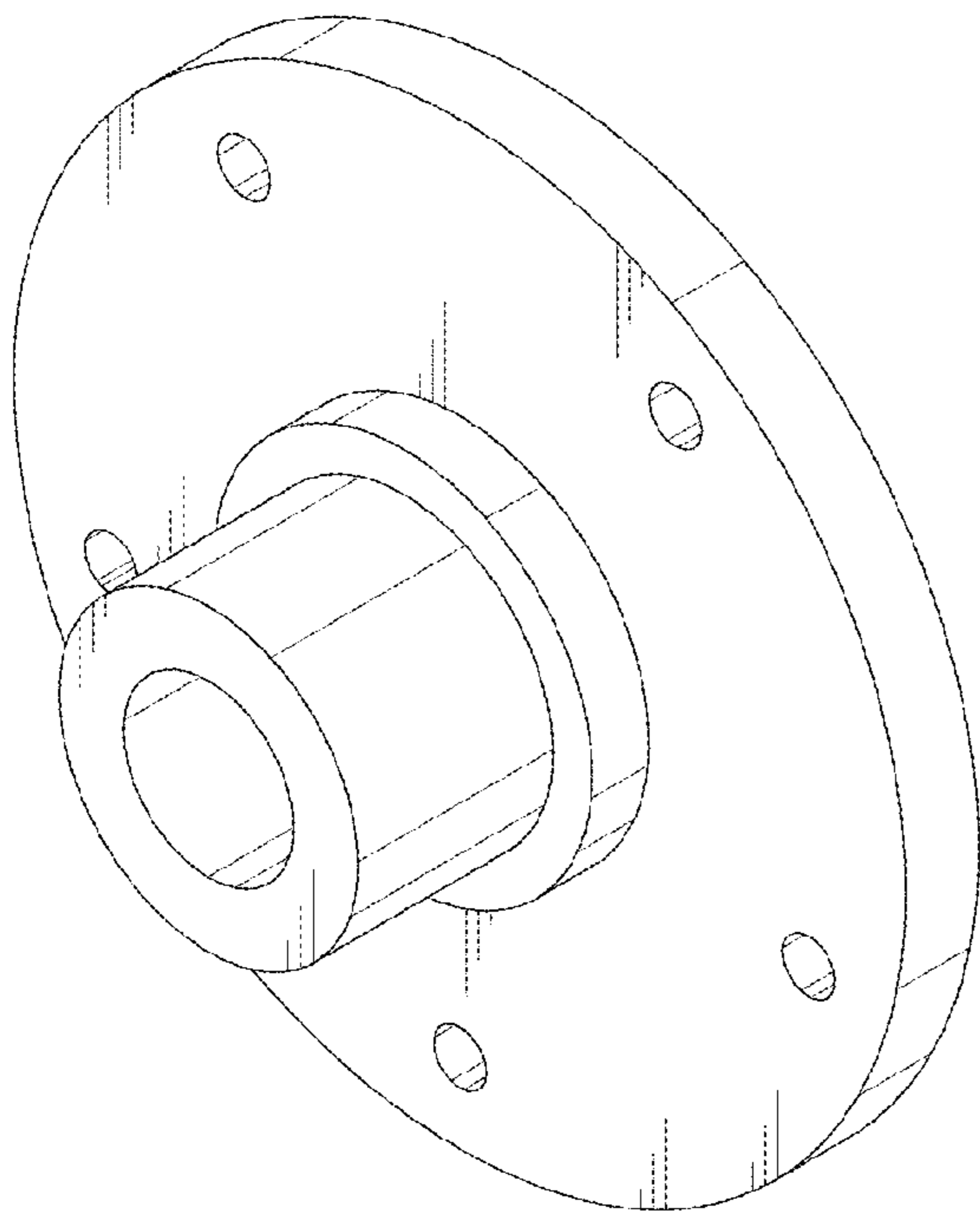
(57) **CLAIM**

The ornamental design for a cap for air compressor, as shown and described.

DESCRIPTION

FIG. 1 is a front perspective view of a cap for air compressor showing my new design;
FIG. 2 is a front elevational view thereof;
FIG. 3 is a rear elevational view thereof;
FIG. 4 is a top plan view thereof;
FIG. 5 is a bottom plan view thereof;
FIG. 6 is a left side elevational view thereof;
FIG. 7 is a right side elevational view thereof;
FIG. 8 is a rear perspective view thereof;
FIG. 9 is a front perspective view thereof, the depressions and the protrusions depicted by means of broken lines being for illustrative purposes only and forming no part of the claimed design; and,
FIG. 10 is a rear perspective view thereof, the depressions and the protrusions depicted by means of broken lines being for illustrative purposes only and forming no part of the claimed design.

1 Claim, 5 Drawing Sheets



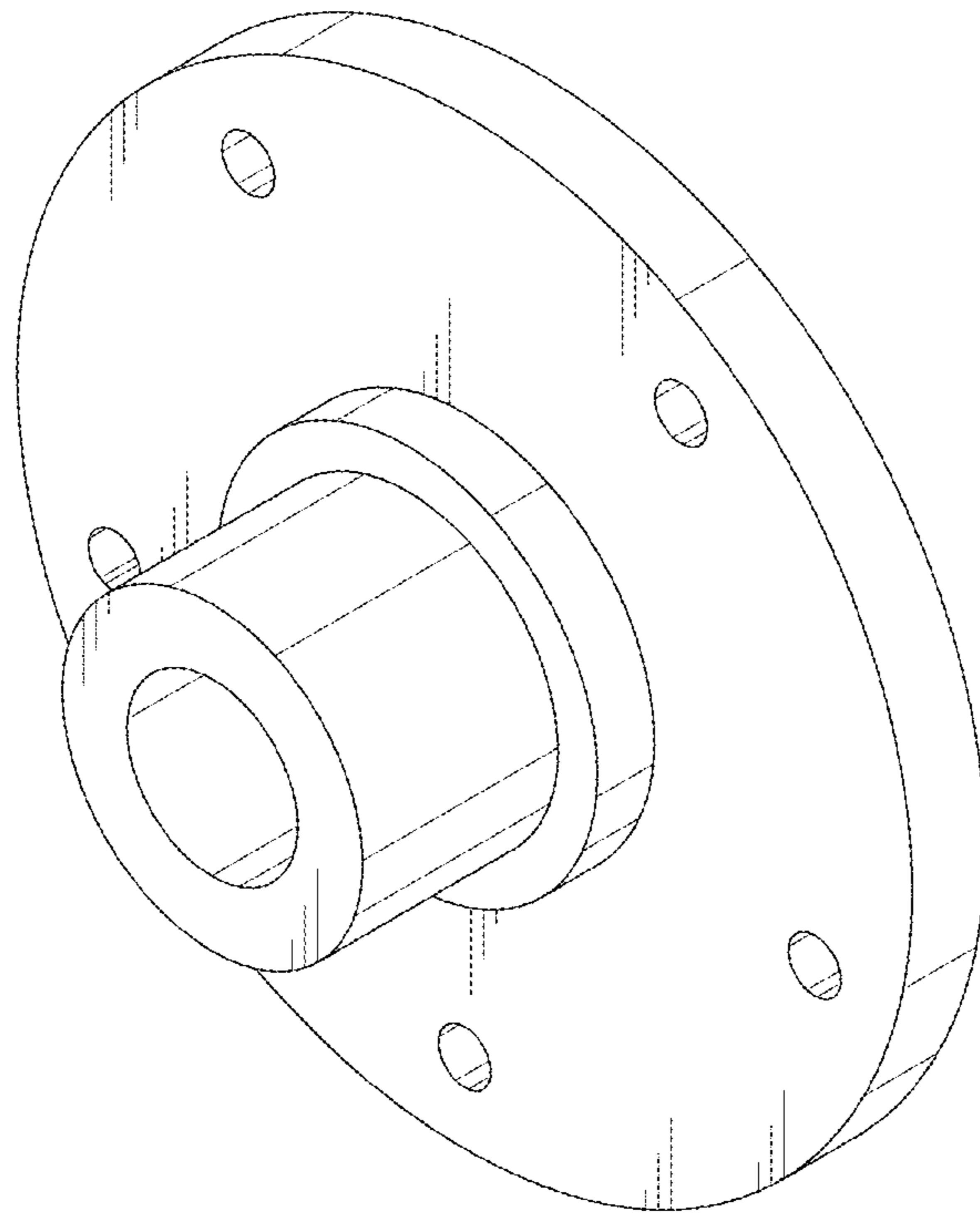


FIG. 1

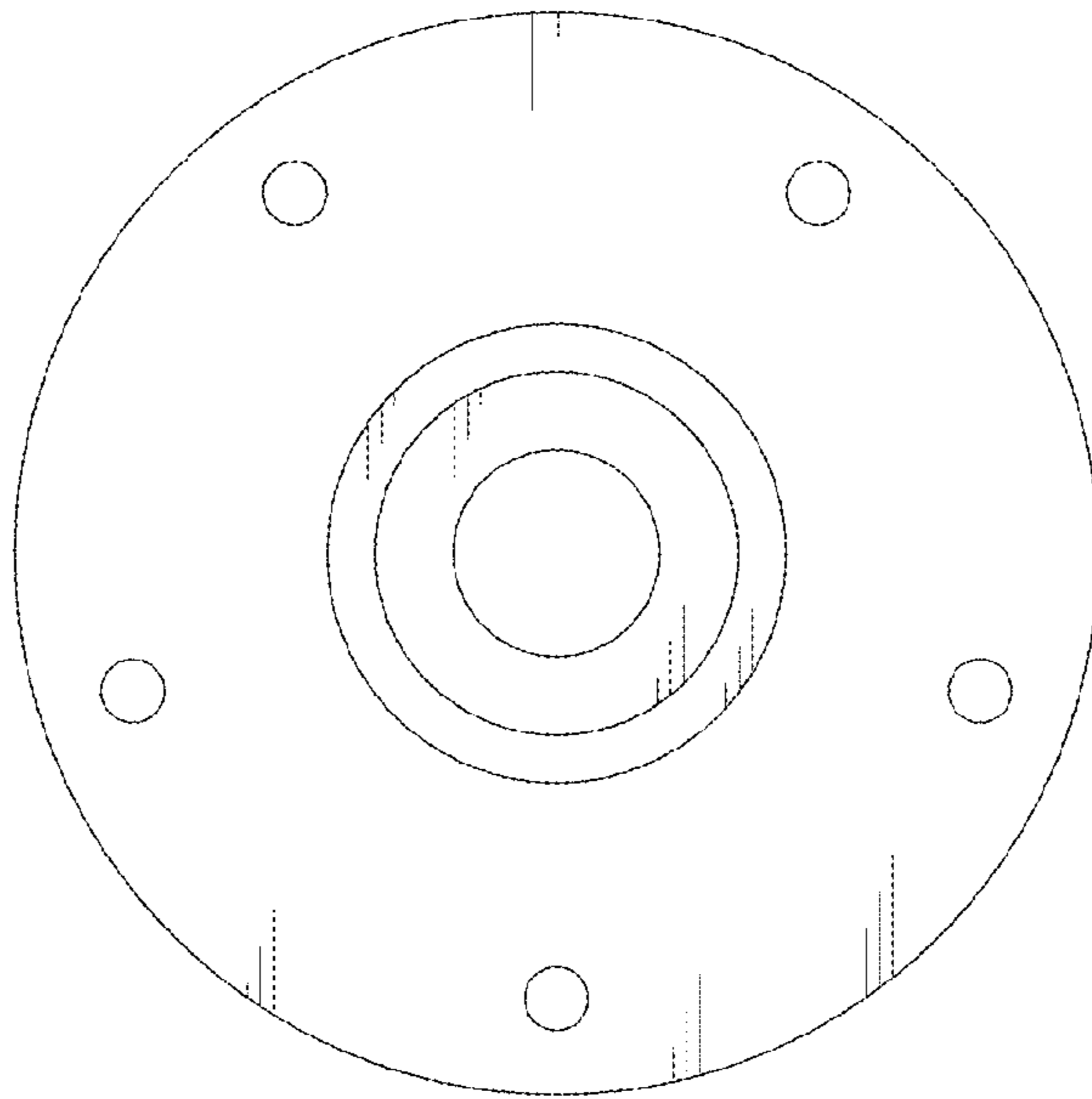


FIG. 2

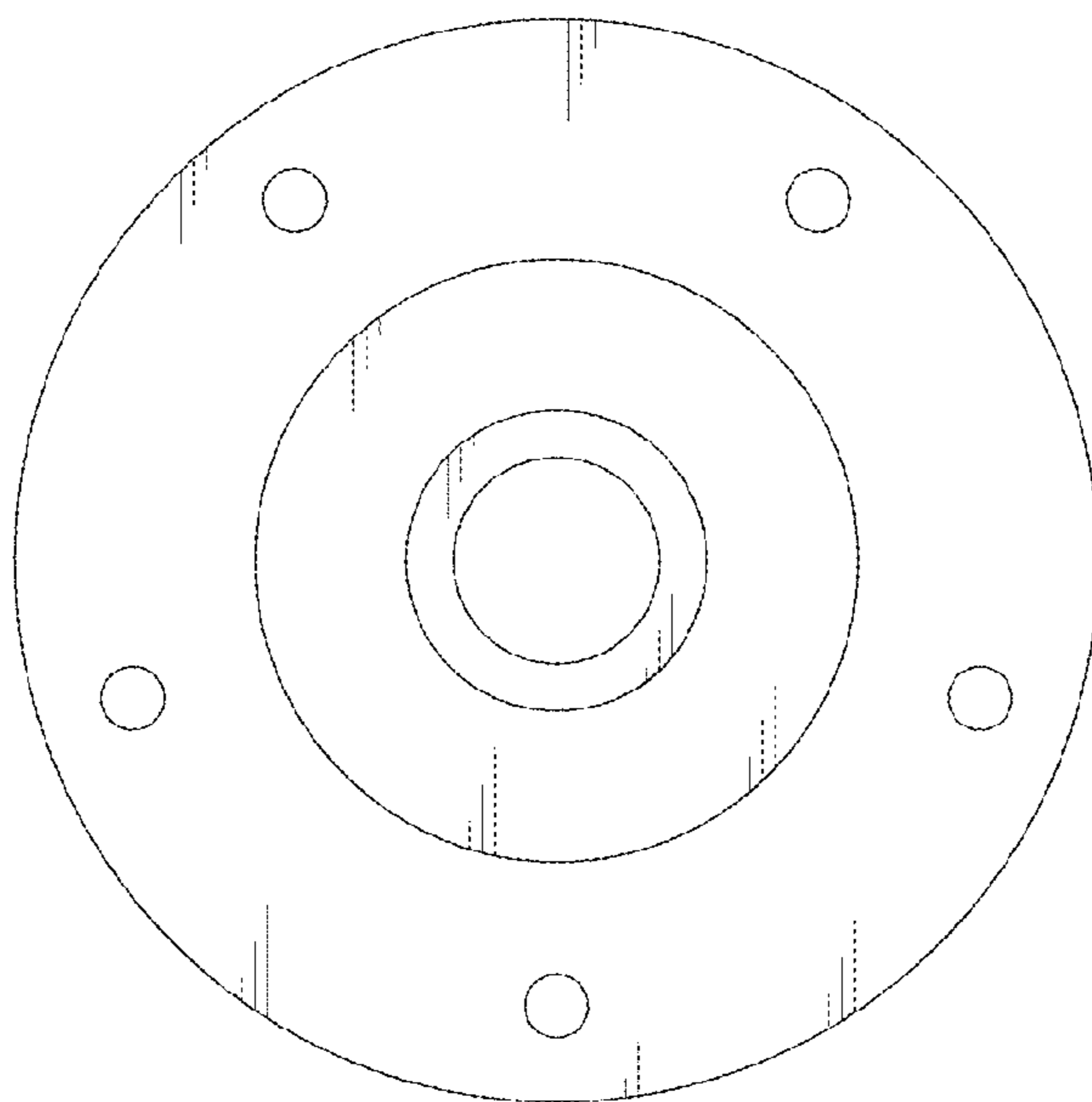


FIG. 3

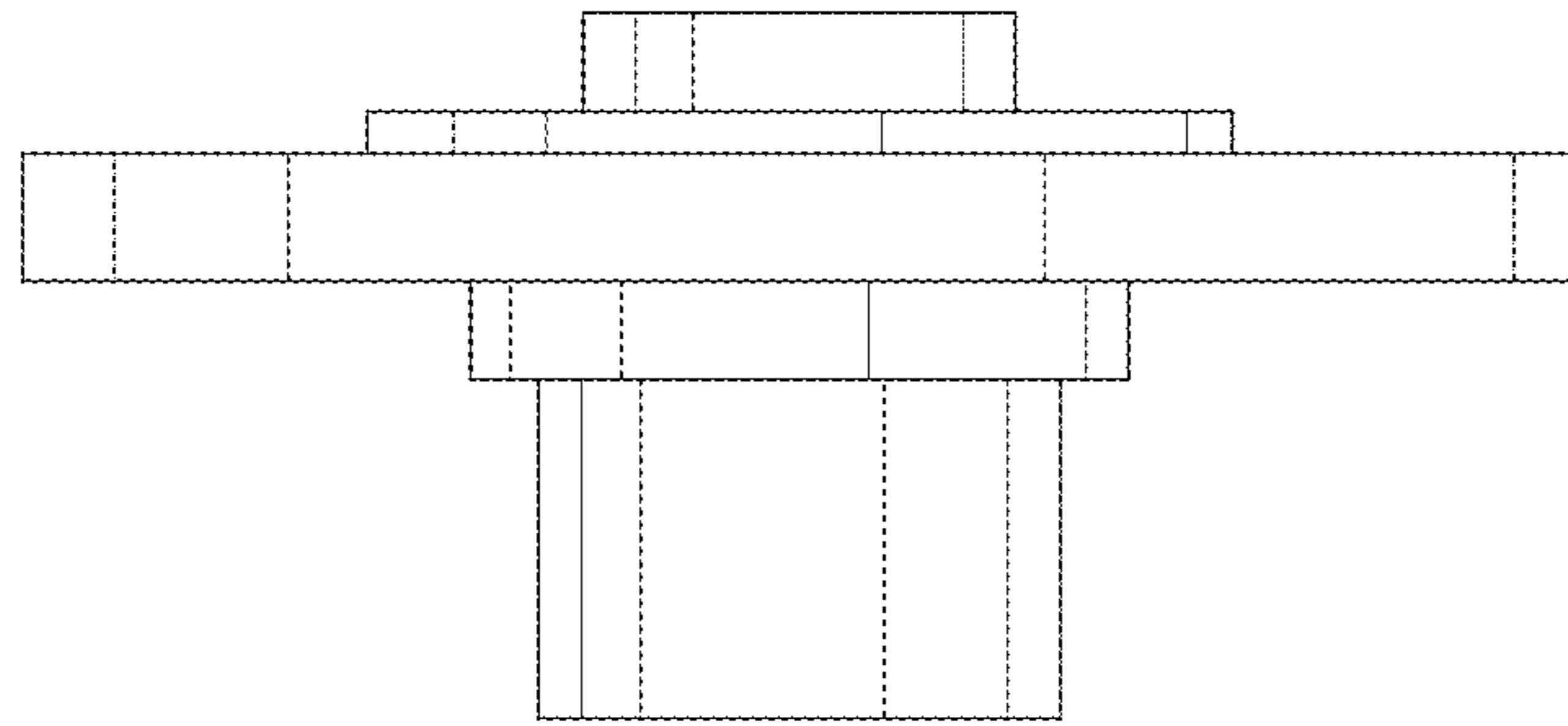


FIG. 4

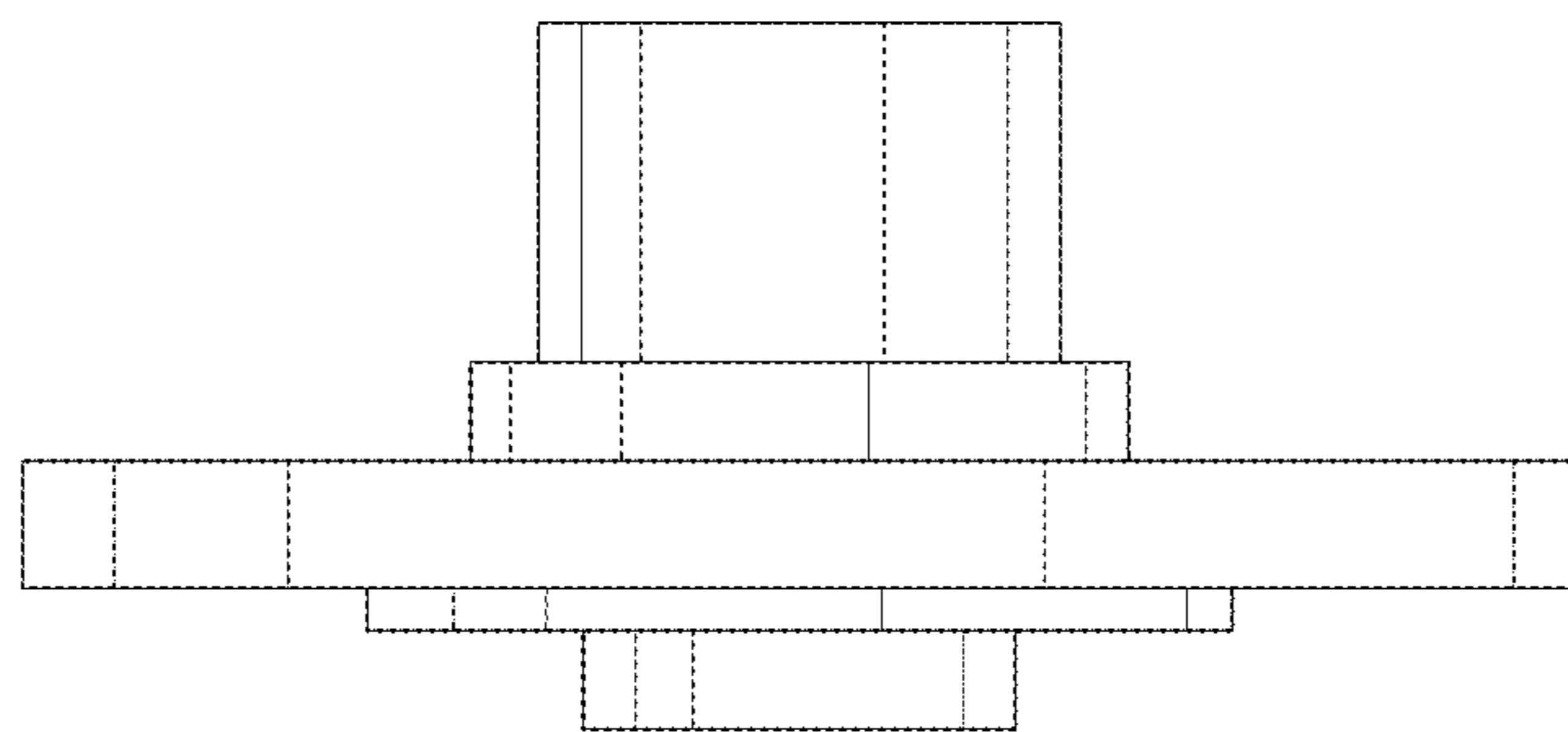


FIG. 5

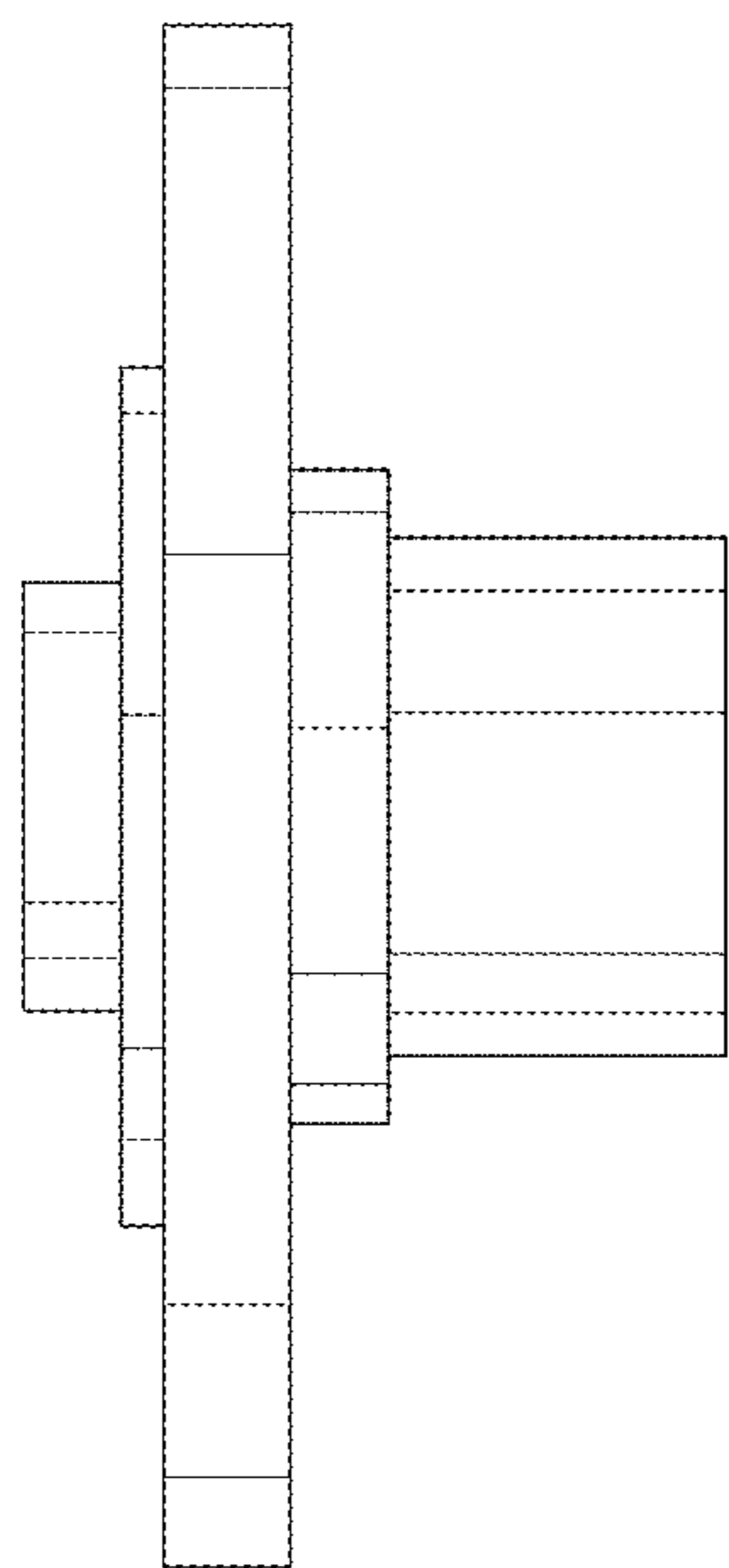


FIG. 6

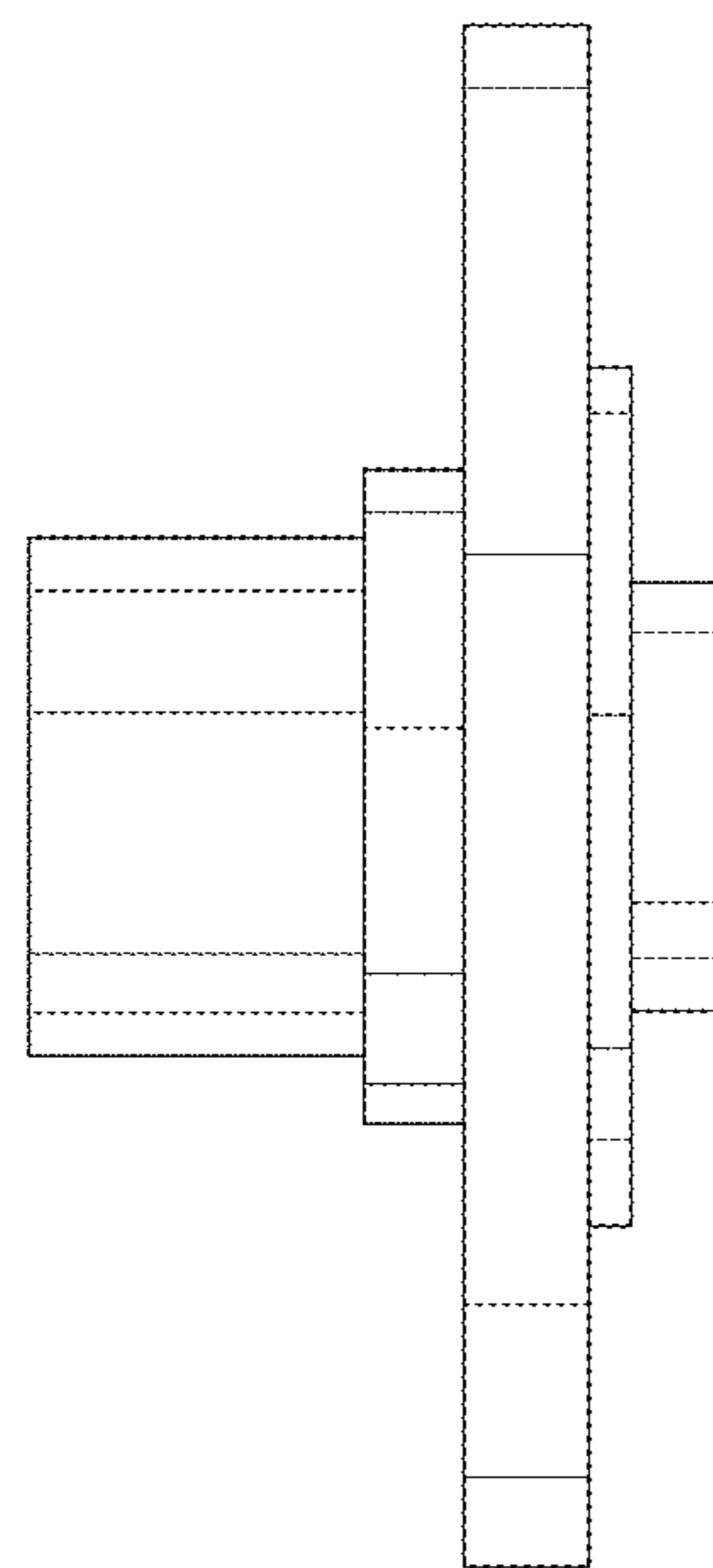


FIG. 7

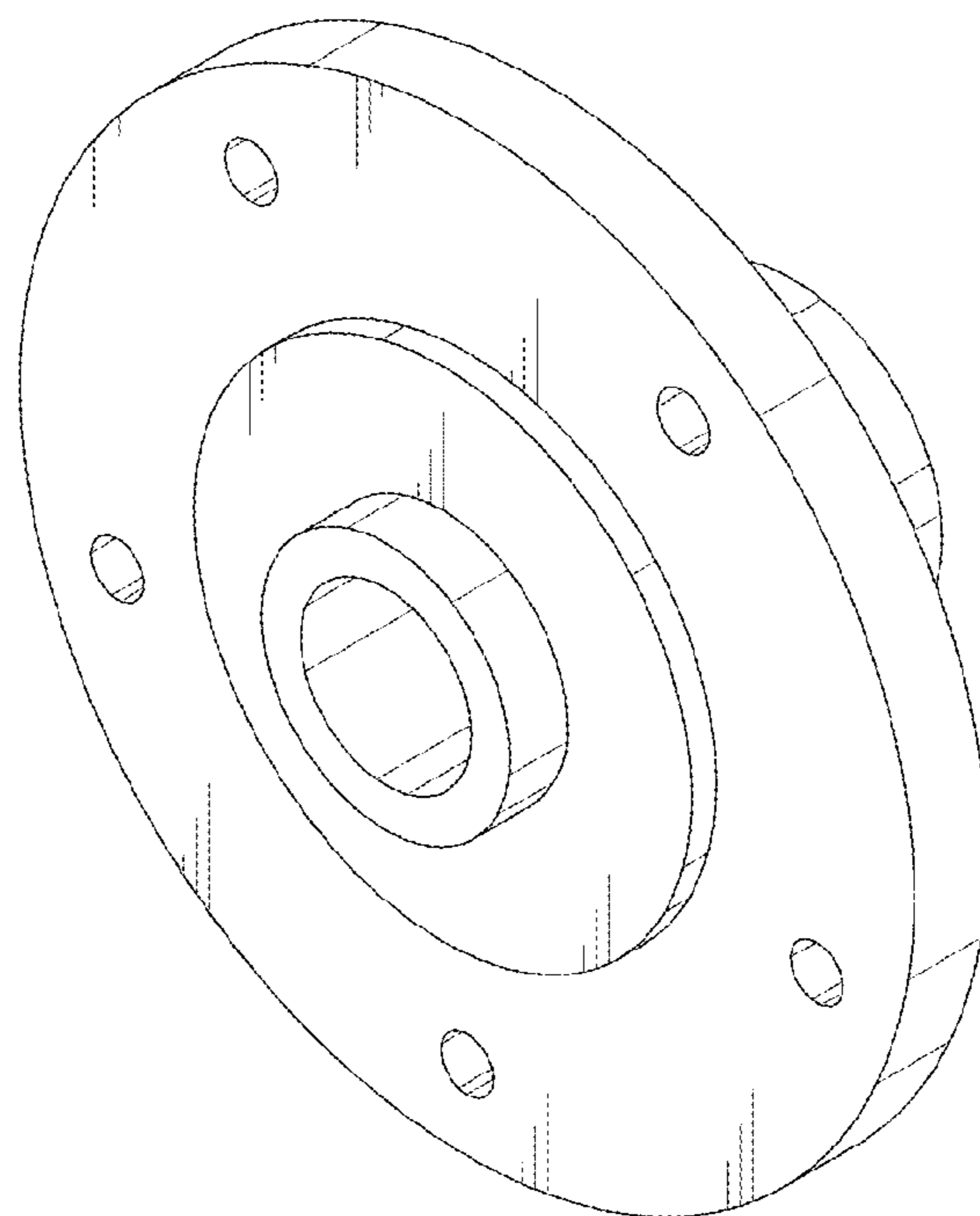


FIG. 8

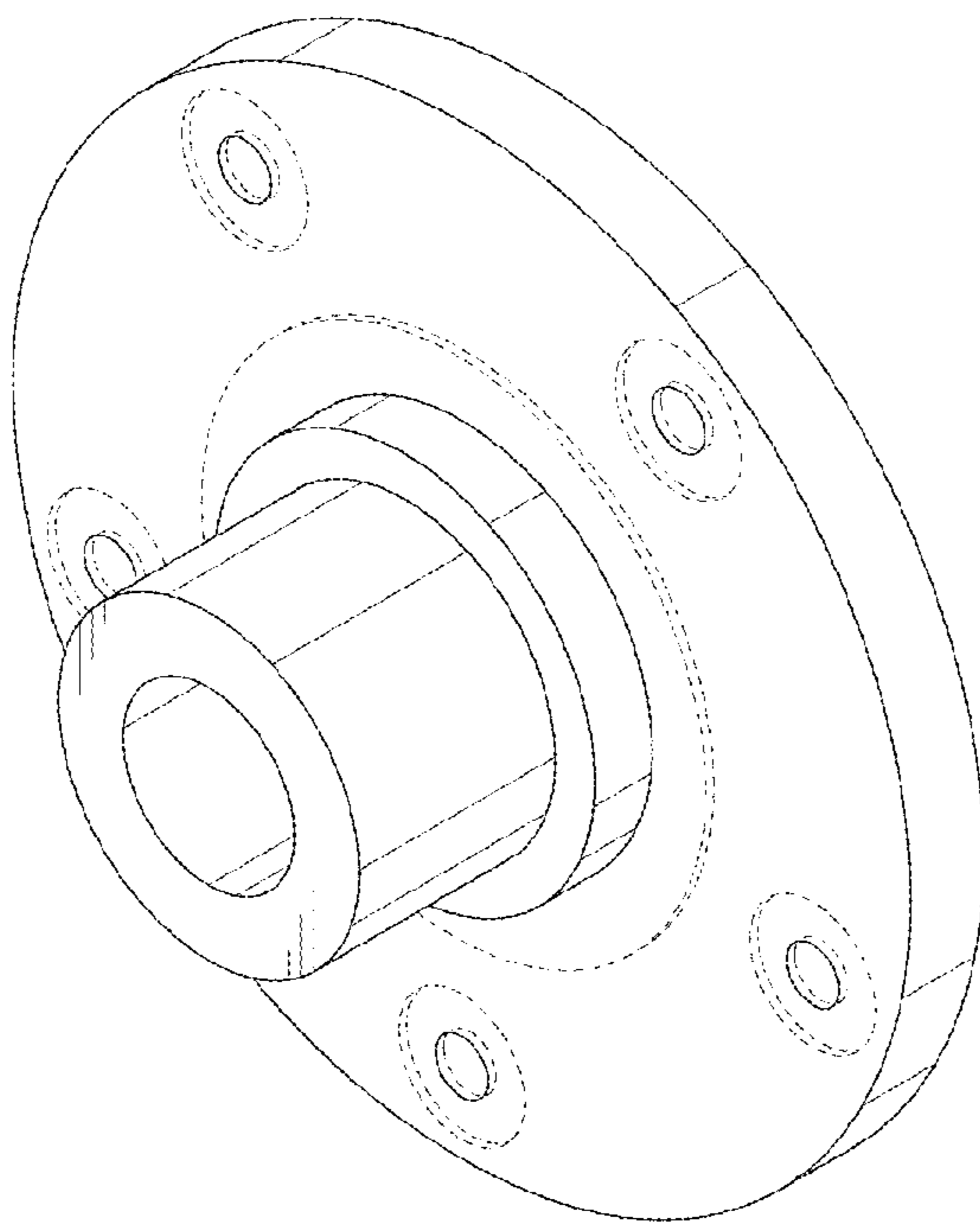


FIG. 9

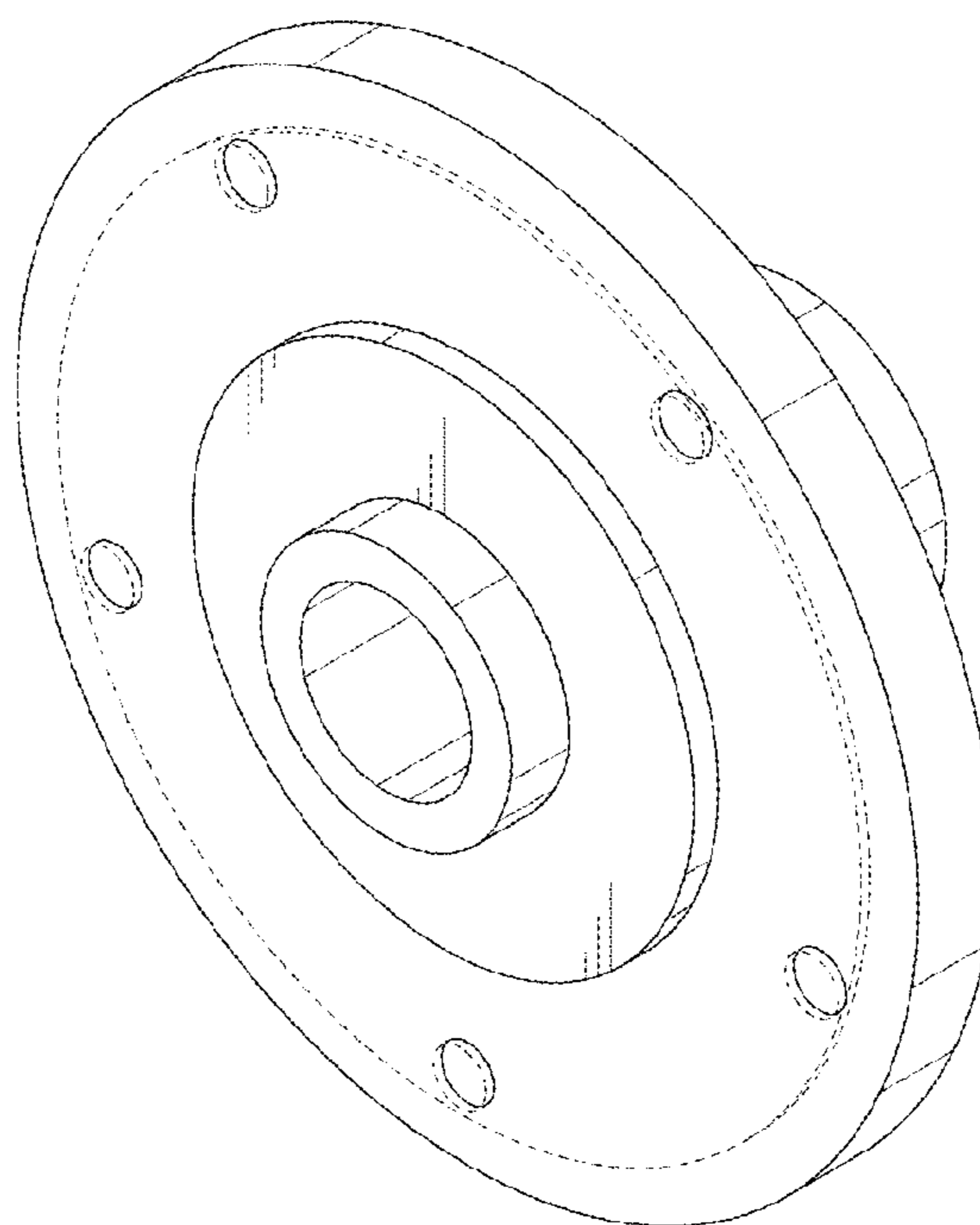


FIG. 10