



US00D738934S

(12) **United States Design Patent**
Fox et al.

(10) **Patent No.:** **US D738,934 S**
(45) **Date of Patent:** **** Sep. 15, 2015**

- (54) **LIMITED SLIP DIFFERENTIAL**
- (71) Applicant: **Eaton Corporation**, Cleveland, OH (US)
- (72) Inventors: **Matthew G. Fox**, Ceresco, MI (US); **Andrew N. Edler**, Homer, MI (US); **Scott M. Besemer**, Battle Creek, MI (US); **Christian Chimner**, Royal Oak, MI (US)
- (73) Assignee: **Eaton Corporation**, Cleveland, OH (US)

- D302,982 S * 8/1989 Bainbridge, III D15/5
- D370,054 S * 5/1996 Nakadaira et al. D23/245
- D386,985 S * 12/1997 Cameron D10/40
- D403,049 S * 12/1998 Ohtani et al. D23/233
- D416,922 S * 11/1999 Lannoch D15/148
- D447,489 S * 9/2001 Antony et al. D15/5
- D460,526 S * 7/2002 Weingarten D23/244
- D496,091 S * 9/2004 Katzman et al. D23/235
- D504,715 S * 5/2005 Hagihara D23/235
- D566,234 S * 4/2008 Caron et al. D23/233
- D620,555 S * 7/2010 Chuang et al. D23/233
- D622,350 S * 8/2010 Gramegna et al. D23/233
- D629,493 S * 12/2010 Dane et al. D23/233
- D637,270 S * 5/2011 Nicolina et al. D23/235
- D642,592 S * 8/2011 Sands D15/5
- D676,110 S * 2/2013 Oike et al. D23/233

- (**) Term: **14 Years**
- (21) Appl. No.: **29/498,757**
- (22) Filed: **Aug. 7, 2014**

Related U.S. Application Data

- (62) Division of application No. 29/456,974, filed on Jun. 5, 2013, now Pat. No. Des. 713,935.
- (51) **LOC (10) Cl.** **15-01**
- (52) **U.S. Cl.**
USPC **D15/5**
- (58) **Field of Classification Search**
USPC D23/233-237, 244-249; 137/505, 137/505.42, 116.3; 251/1-9, 288, 337; 475/231, 249, 220, 230; D15/5
CPC F16H 48/08; F16H 48/22; F16H 48/24; A61B 6/484; B60K 1/00
See application file for complete search history.

(56) **References Cited**

U.S. PATENT DOCUMENTS

- D215,438 S * 10/1969 Holm D23/233
- D228,234 S * 8/1973 Willetts D23/245
- D236,980 S * 9/1975 Callhan et al. D23/233

(Continued)

Primary Examiner — Cynthia Ramirez

(74) *Attorney, Agent, or Firm* — Remarck Law Group PLC

(57) **CLAIM**

The ornamental design for a limited slip differential, as shown and described.

DESCRIPTION

FIG. 1 is a perspective view of a limited slip differential showing the new design.

FIG. 2 is a first side view of the limited slip differential of FIG. 1.

FIG. 3 is a second side view of the limited slip differential of FIG. 1.

FIG. 4 is a top view of the limited slip differential of FIG. 1.

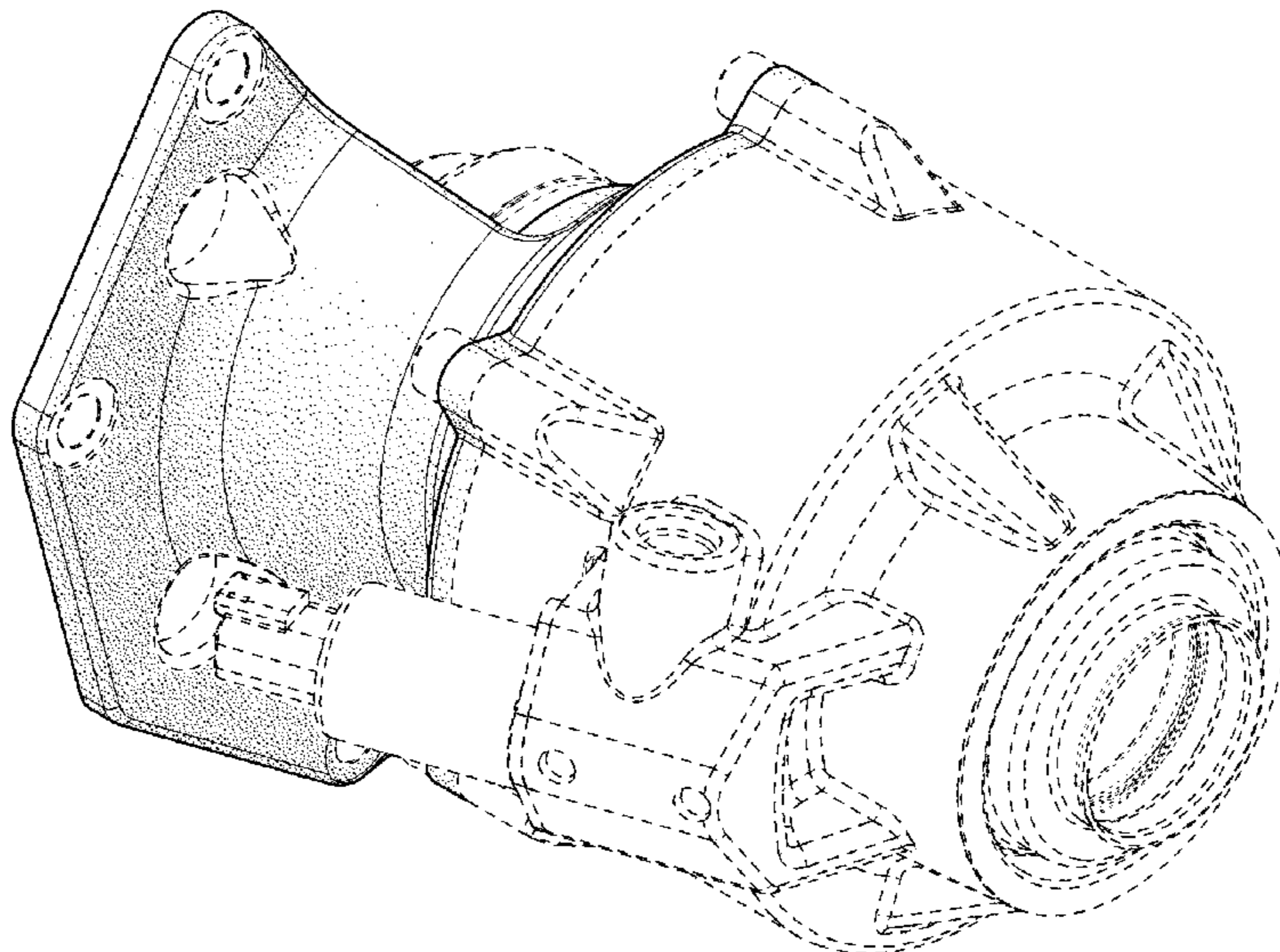
FIG. 5 is a bottom view of the limited slip differential of FIG. 1.

FIG. 6 is a front view of the limited slip differential of FIG. 1; and,

FIG. 7 is a rear view of the limited slip differential of FIG. 1.

Any portion of the limited slip differential shown in broken lines is for the purpose of illustrating environmental structure and forms no part of the claimed design.

1 Claim, 7 Drawing Sheets



(56)

References Cited

U.S. PATENT DOCUMENTS

D681,172 S *	4/2013	Fujita	D23/248	D700,954 S *	3/2014	Weingarten	D23/233
D686,249 S *	7/2013	Roach	D15/5	D702,735 S *	4/2014	Sandou et al.	D15/5
D687,124 S *	7/2013	Weingarten	D23/233	D718,337 S *	11/2014	Mitsuda	D15/5
D691,703 S *	10/2013	Iranyi et al.	D23/233	2006/0172848 A1 *	8/2006	Hsieh	475/231
D692,100 S *	10/2013	Freeth	D23/233	2010/0029434 A1 *	2/2010	Nakajima et al.	475/230
				2014/0378263 A1 *	12/2014	Hayes et al.	475/220
				2015/0080166 A1 *	3/2015	Forrest et al.	475/231
				2015/0099602 A1 *	4/2015	Berndt et al.	475/230

* cited by examiner

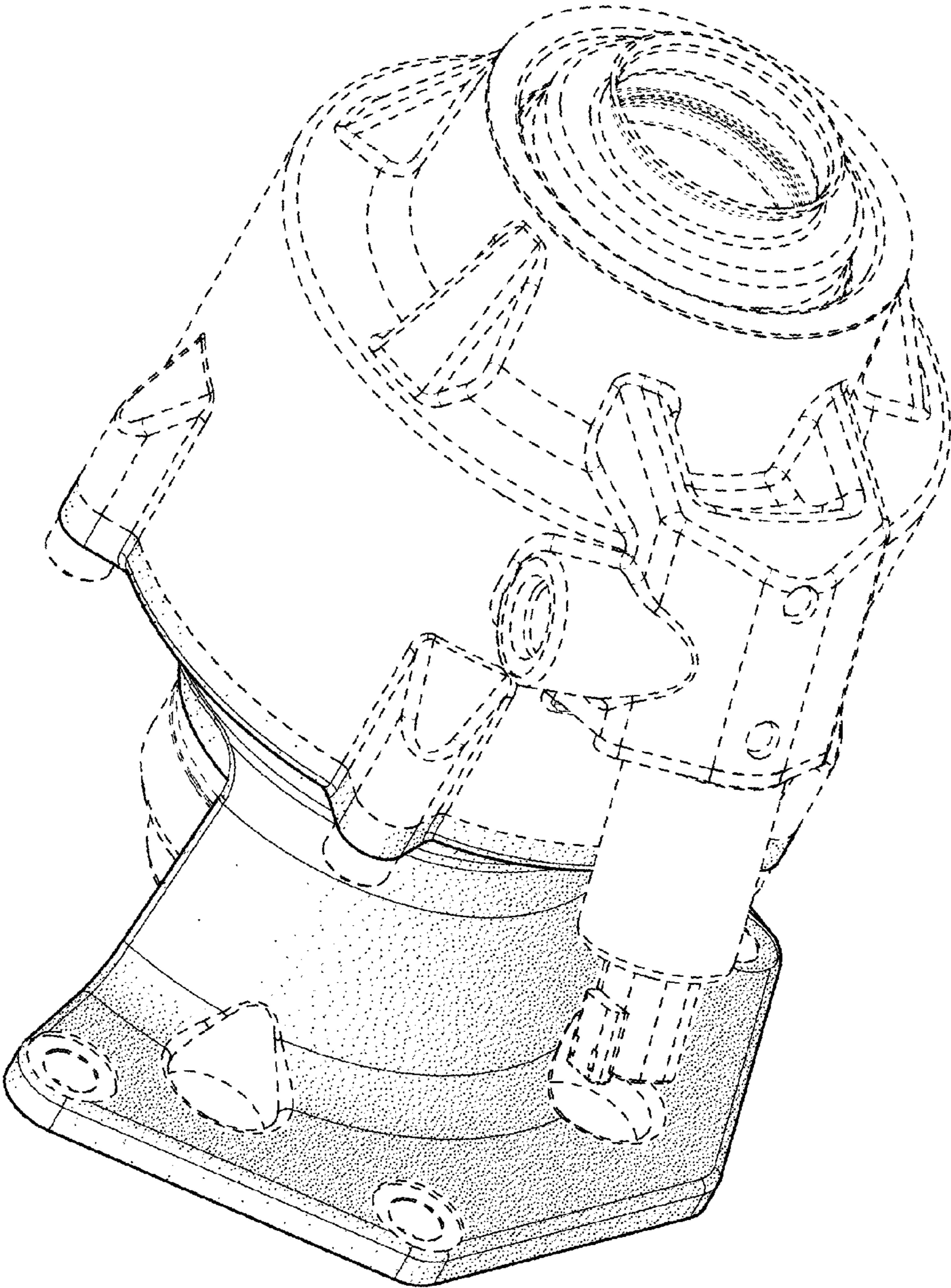


FIG. 1

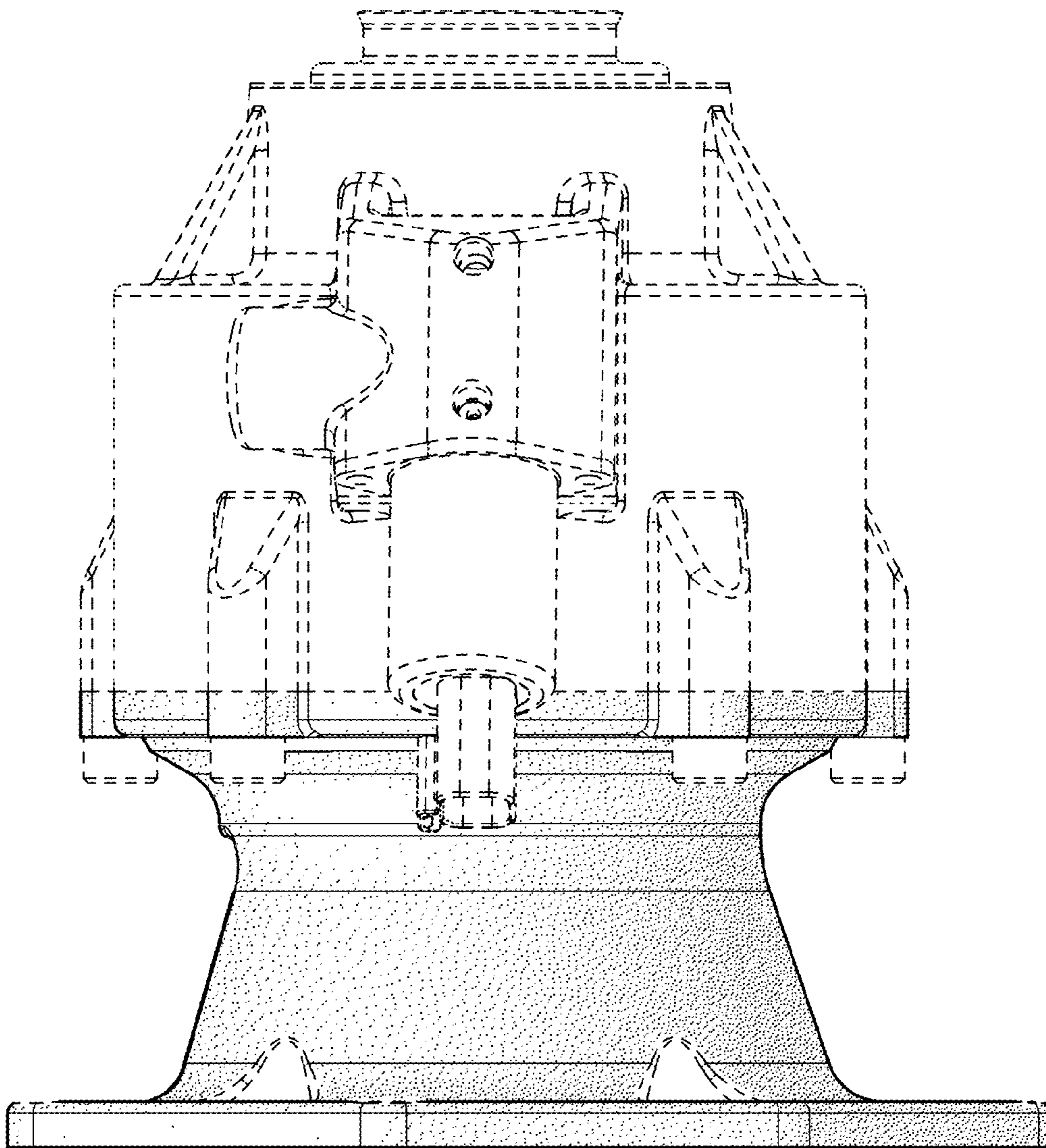


FIG. 2

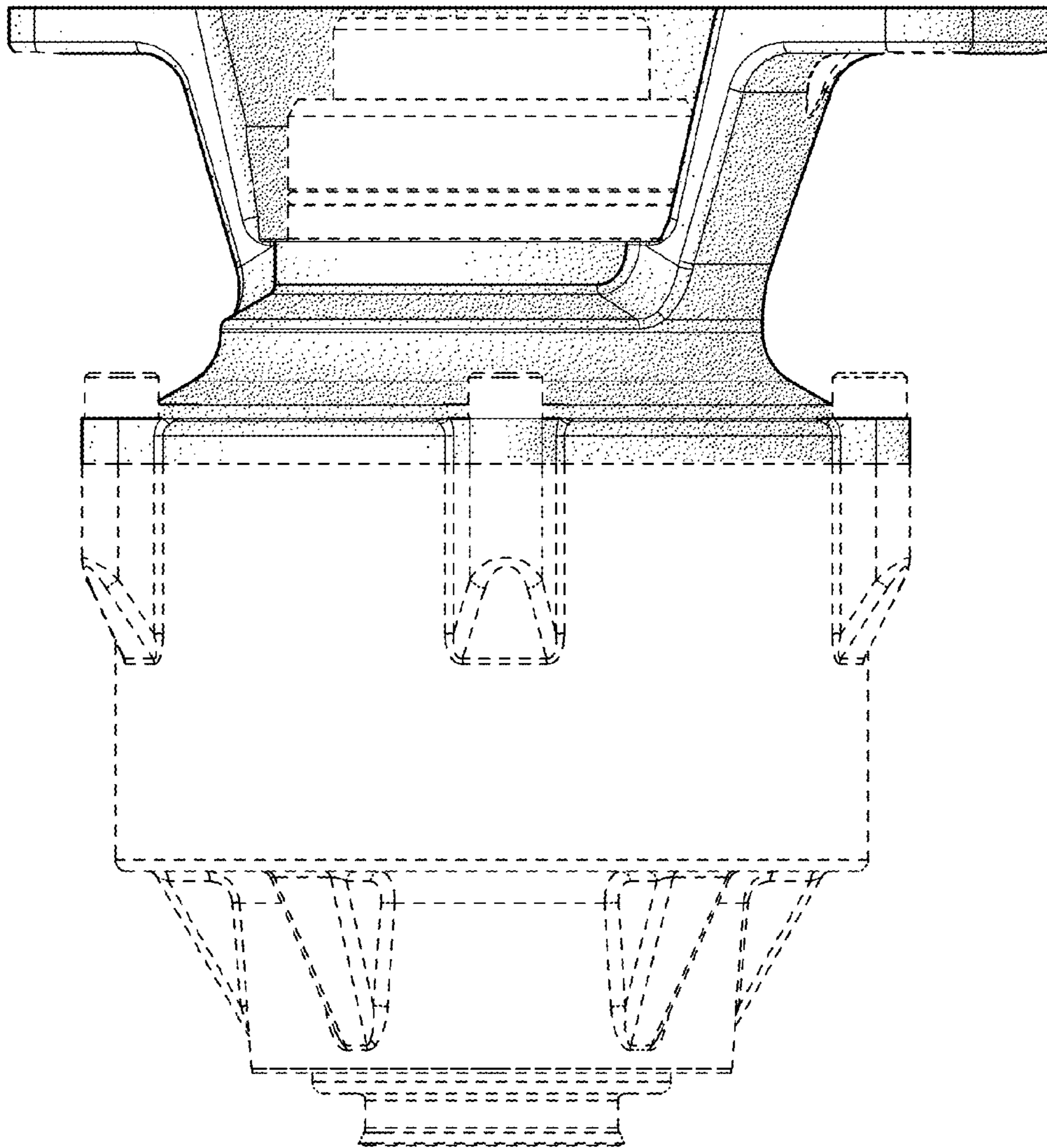


FIG. 3

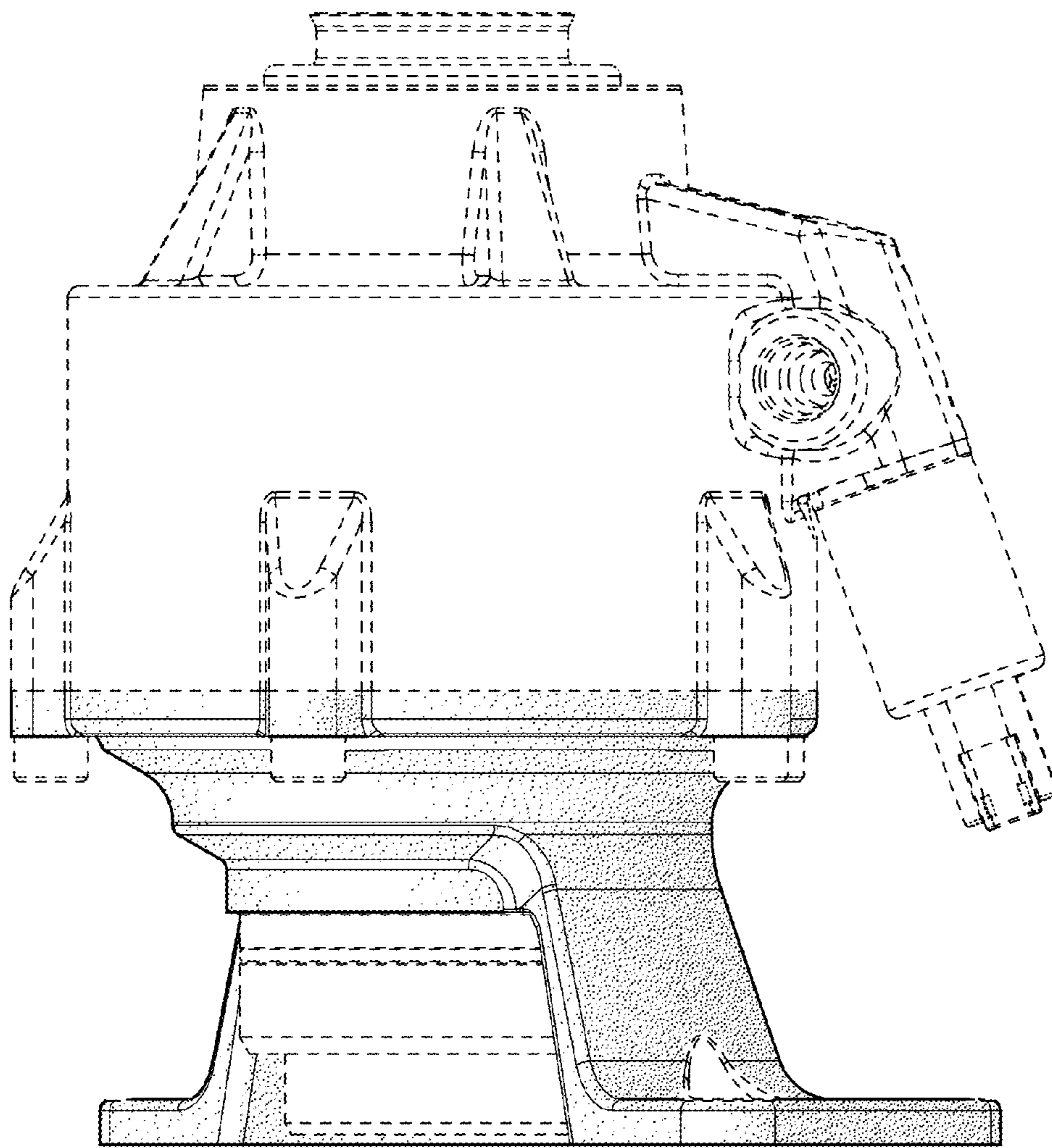


FIG. 4

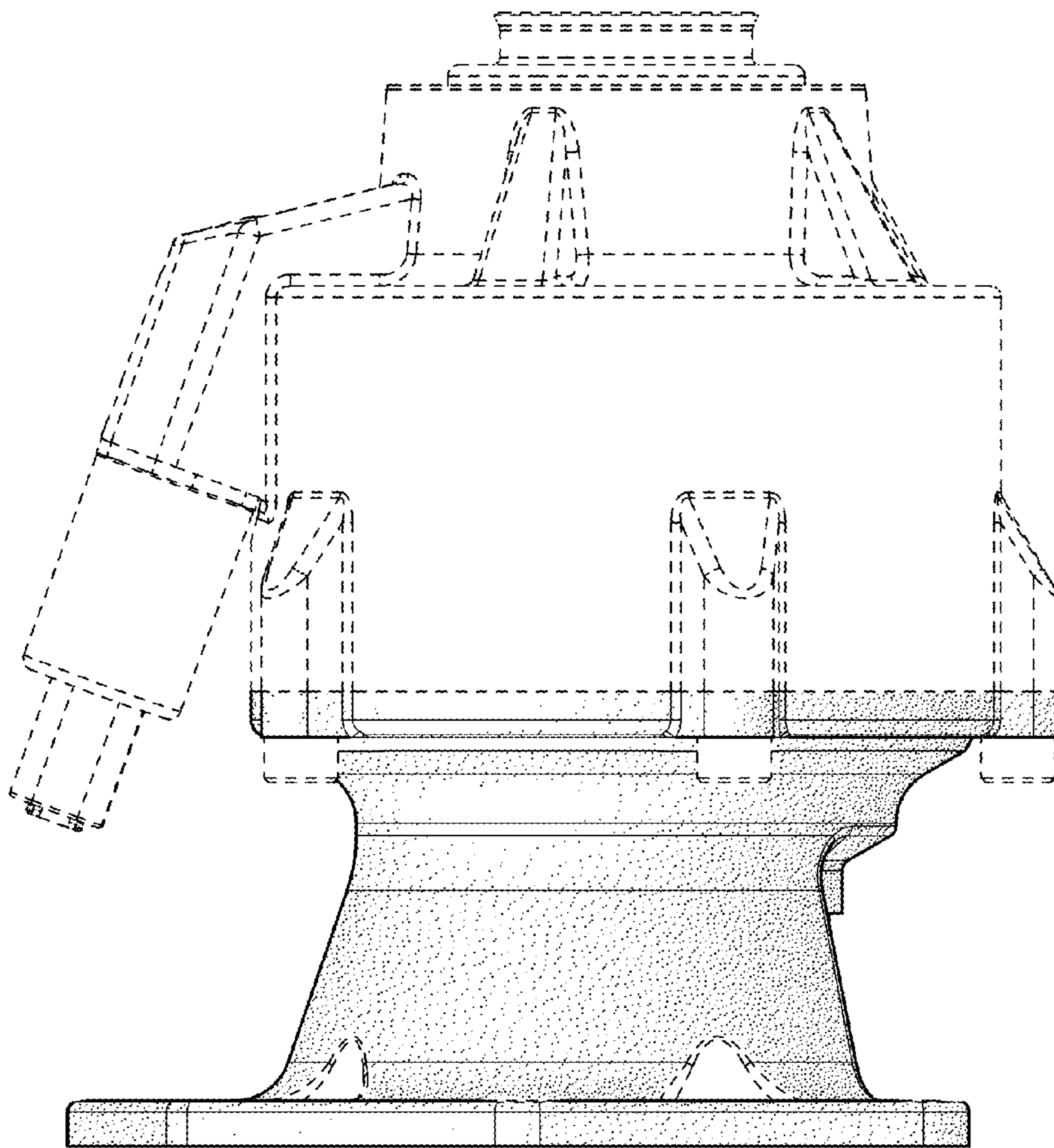


FIG. 5

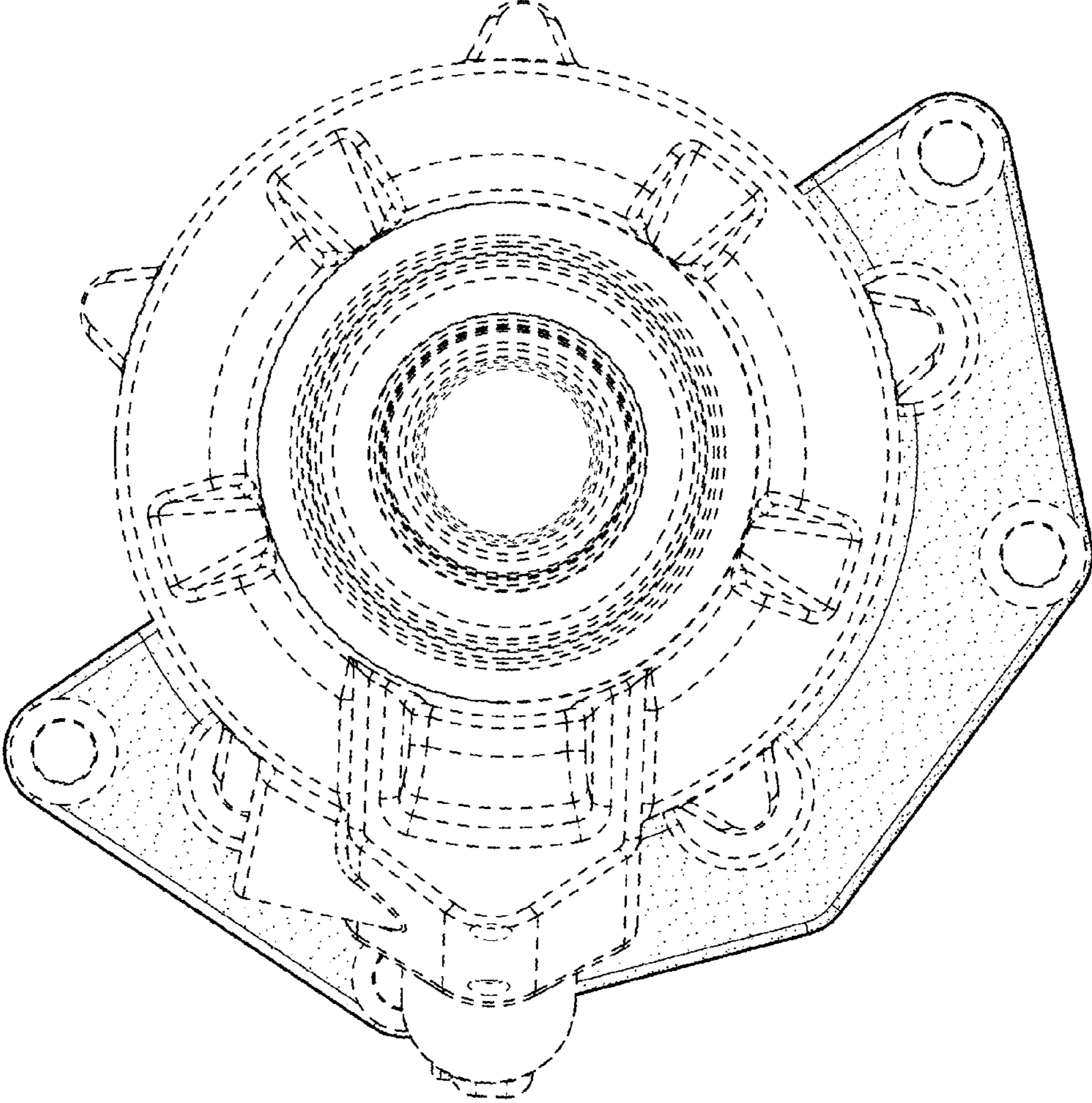


FIG. 6

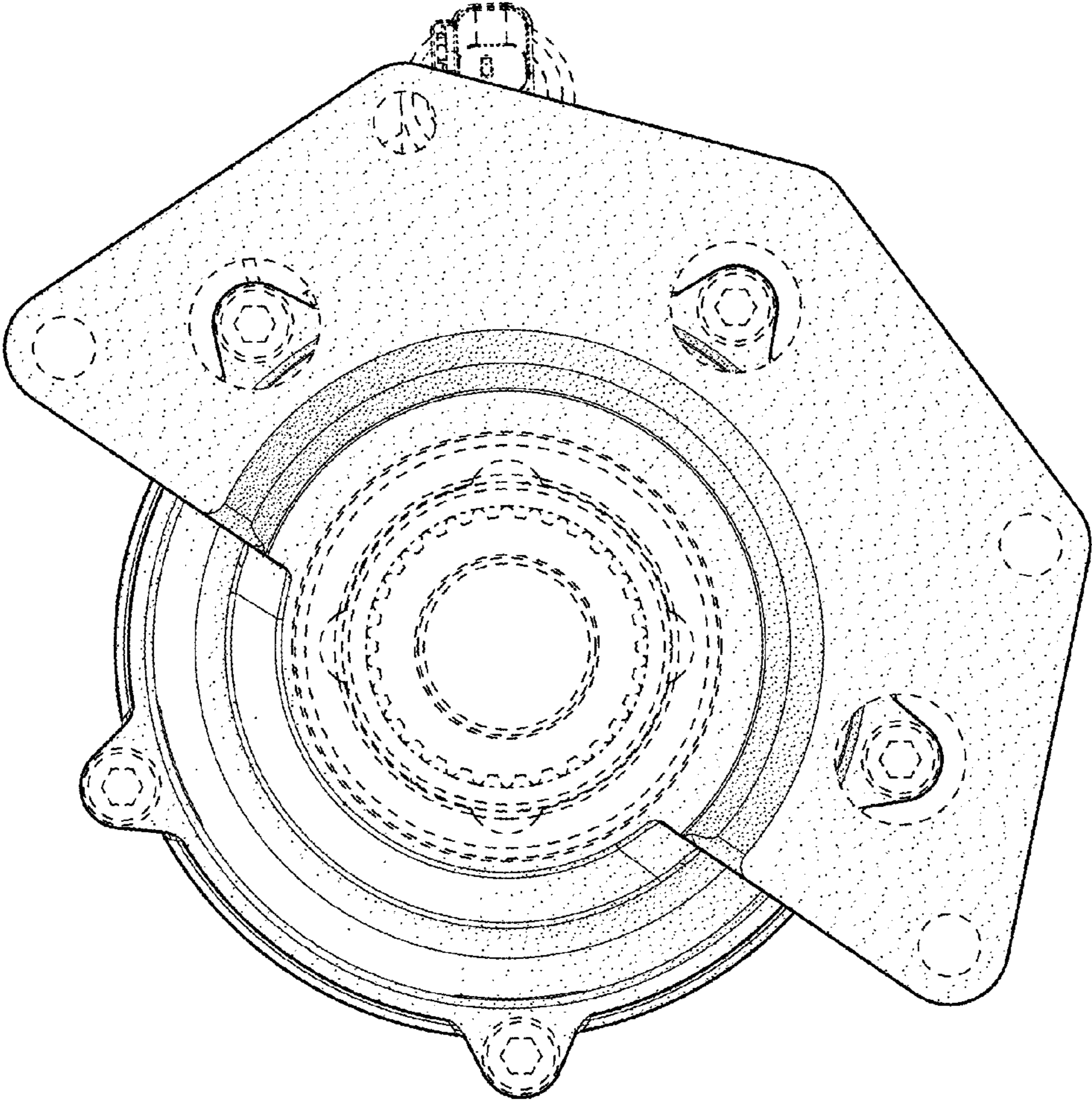


FIG. 7