



US00D738933S

(12) **United States Design Patent**
Nam

(10) **Patent No.:** **US D738,933 S**

(45) **Date of Patent:** **** Sep. 15, 2015**

(54) **FRONT HEAD FOR AUTOMOBILES**

(56) **References Cited**

(71) Applicant: **GCS. INC., LTD**, Kimhae (KR)

U.S. PATENT DOCUMENTS

(72) Inventor: **Taek Kyun Nam**, Pusan (KR)

4,813,854 A * 3/1989 Nakajima 417/295

4,869,652 A * 9/1989 Nakajima et al. 417/295

(73) Assignee: **GCS. Inc., Ltd**, Kimhae (KR)

5,049,043 A * 9/1991 Nakajima 417/295

5,094,592 A * 3/1992 Nakajima et al. 417/295

(**) Term: **14 Years**

D529,049 S * 9/2006 Chu D15/9

D589,534 S * 3/2009 Chu D15/9

D694,270 S * 11/2013 Chu D15/9

(21) Appl. No.: **29/472,159**

2015/0010421 A1 * 1/2015 T. et al. 418/260

* cited by examiner

(22) Filed: **Nov. 8, 2013**

Primary Examiner — T. Chase Nelson

Assistant Examiner — Ania Aman

(30) **Foreign Application Priority Data**

(74) *Attorney, Agent, or Firm* — Ladas & Parry LLP

May 8, 2013 (KR) 30-2013-0024272

(51) **LOC (10) Cl.** **15-01**

(57) **CLAIM**

I claim the ornamental design for a front head for automobiles, as shown and described.

(52) **U.S. Cl.**

DESCRIPTION

USPC **D15/5**

(58) **Field of Classification Search**

USPC D15/1, 2, 3, 5, 6, 7, 8, 9; 417/410.1, 417/359, 415-416, 234, 321, 265, 405

CPC F04B 41/02; F04B 35/06; F04B 39/02;

F04B 39/1006; F04B 39/125; F04B 39/16;

F04B 1/0456; F04B 1/0536; F04B 23/06;

F04B 27/10; F04B 39/122; F04B 47/00;

F04B 49/00; F04B 53/1095; F25B 2345/006;

F25B 2500/28; F25B 2700/19; F25B 45/00;

F16M 3/00

FIG. 1 is a front perspective view of a front head for automobiles showing our new design;

FIG. 2 is a front-side elevational view thereof;

FIG. 3 is a rear-side elevational view thereof;

FIG. 4 is a left-side elevational view thereof;

FIG. 5 is a right-side elevational view thereof;

FIG. 6 is a top-side elevational view thereof;

FIG. 7 is a bottom-side elevational view thereof; and,

FIG. 8 is a rear perspective view thereof.

See application file for complete search history.

1 Claim, 7 Drawing Sheets

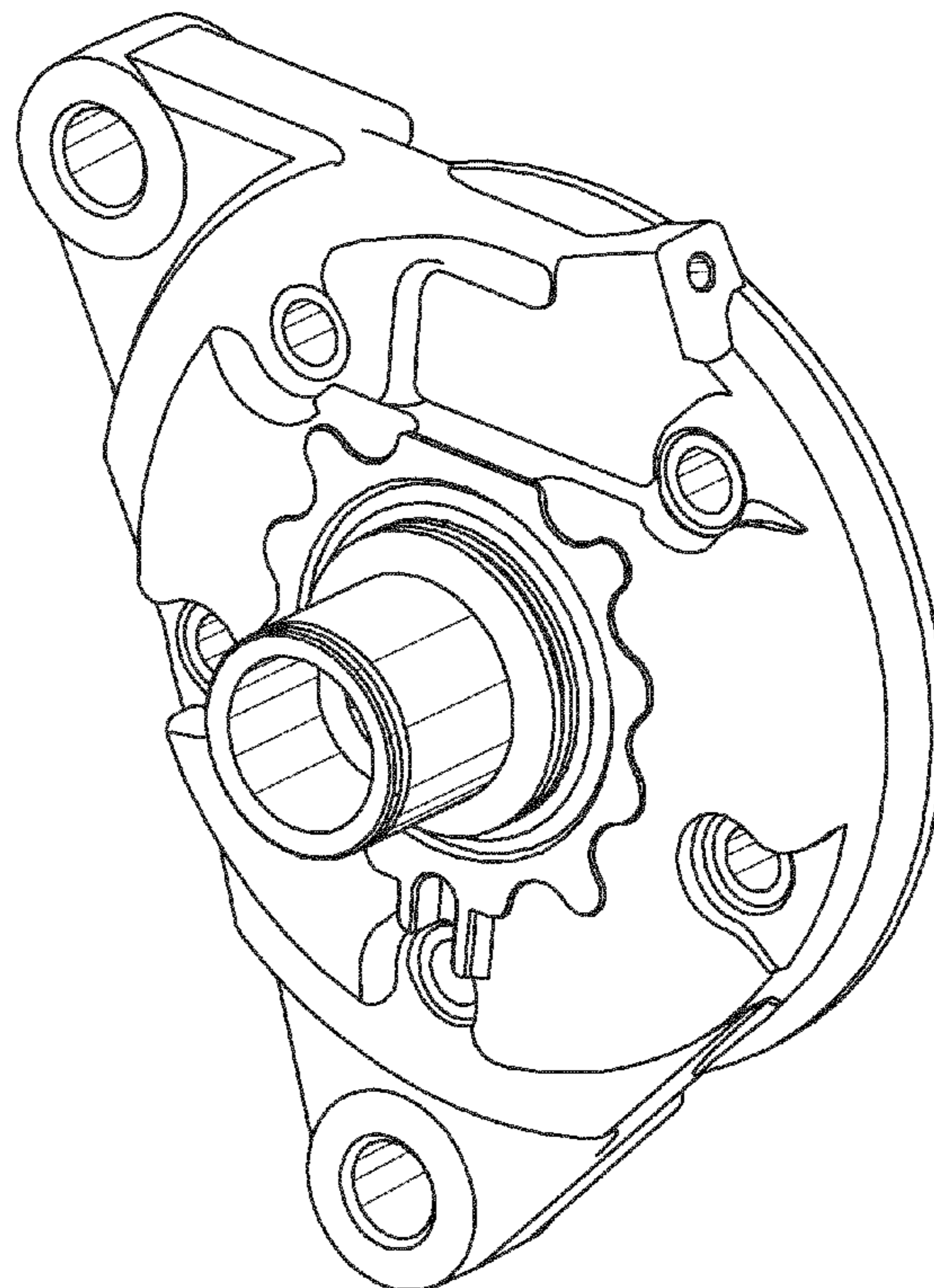


FIG. 1

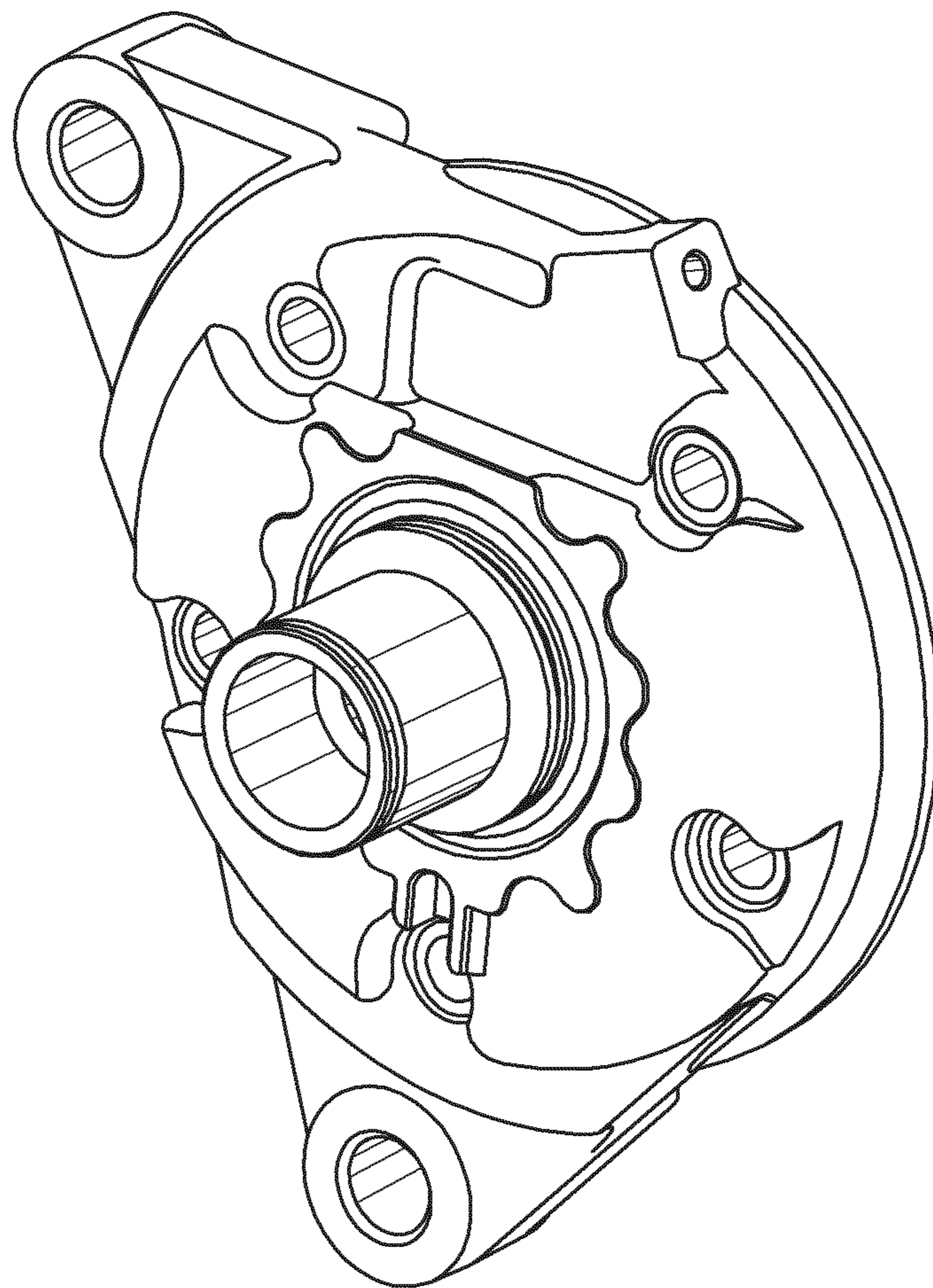


FIG. 2

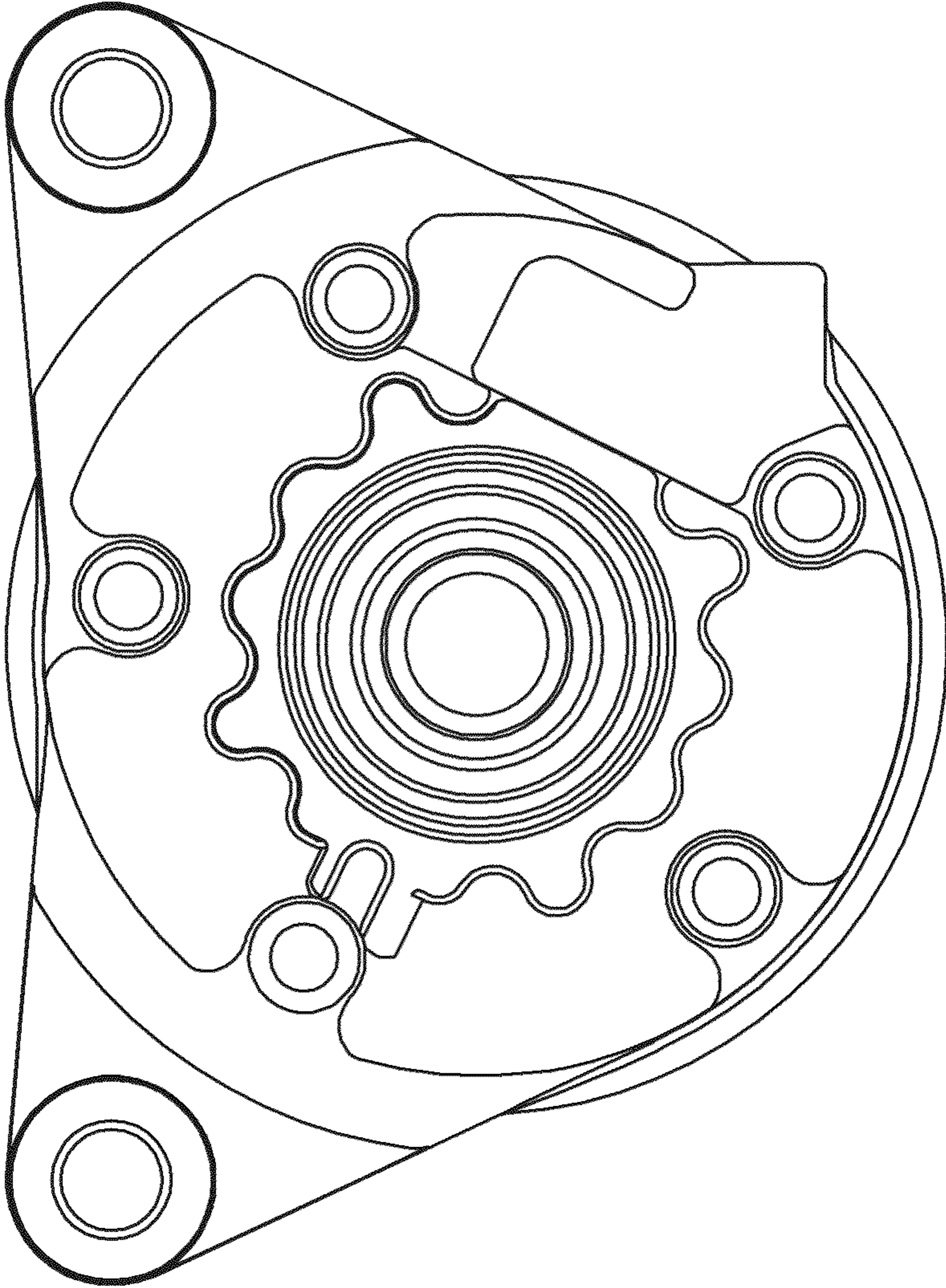


FIG. 3

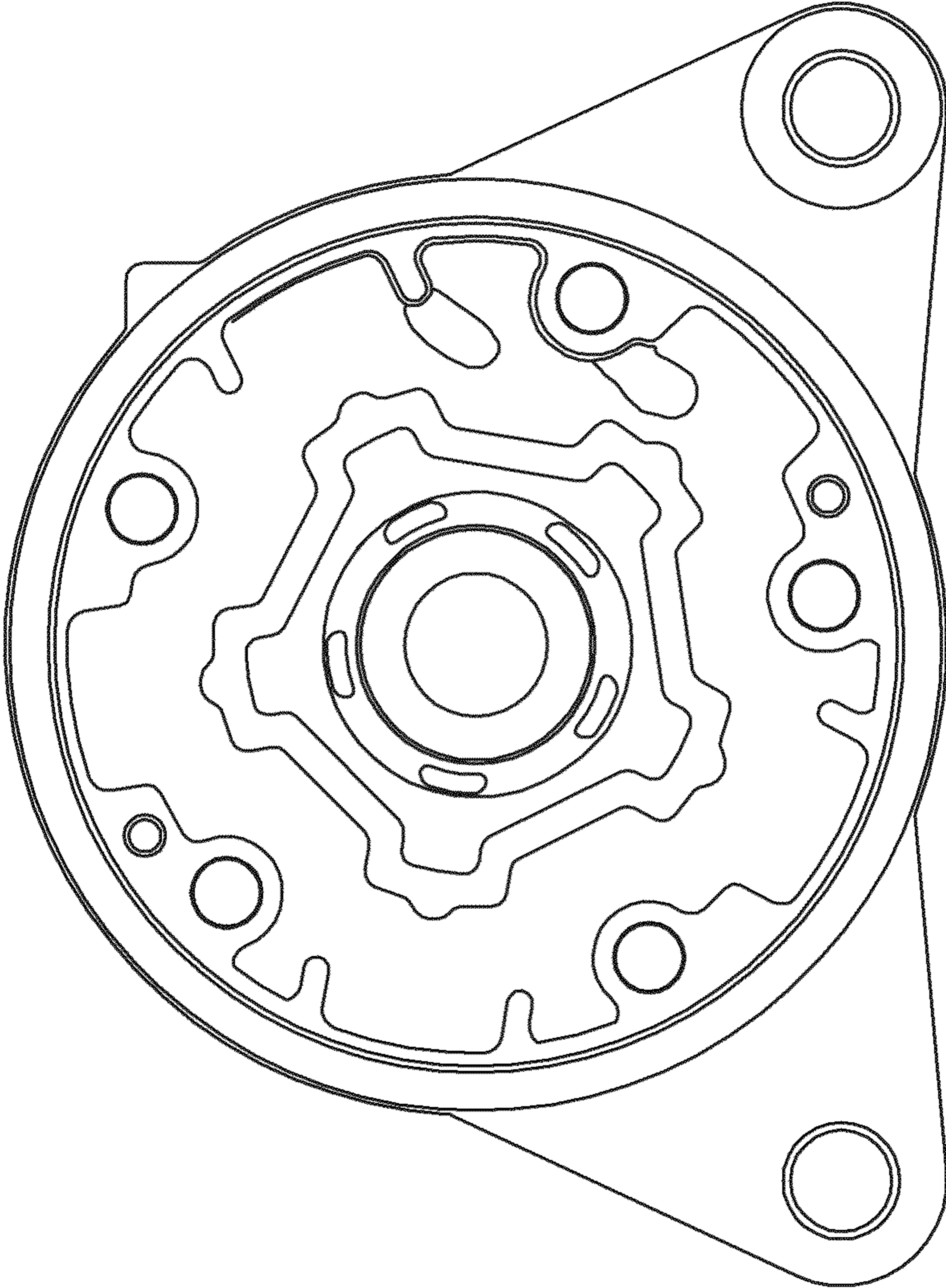


FIG. 4

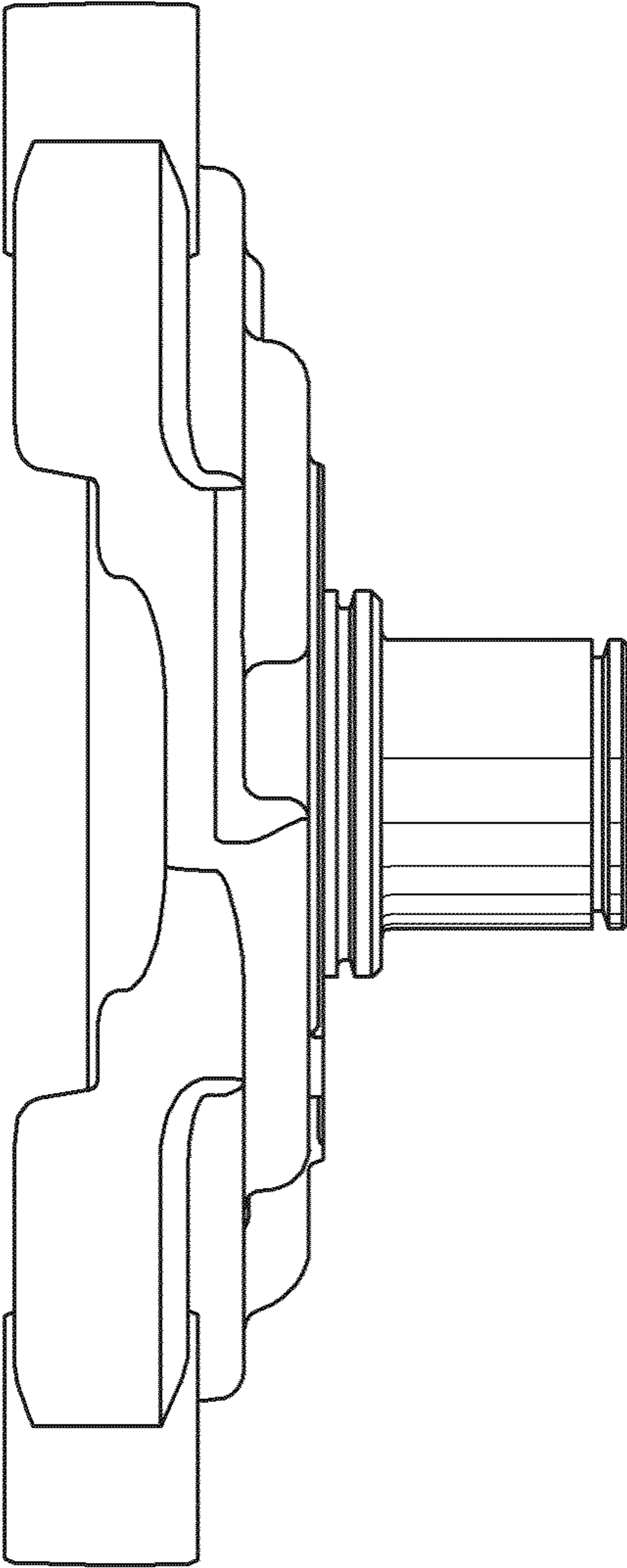


FIG. 5

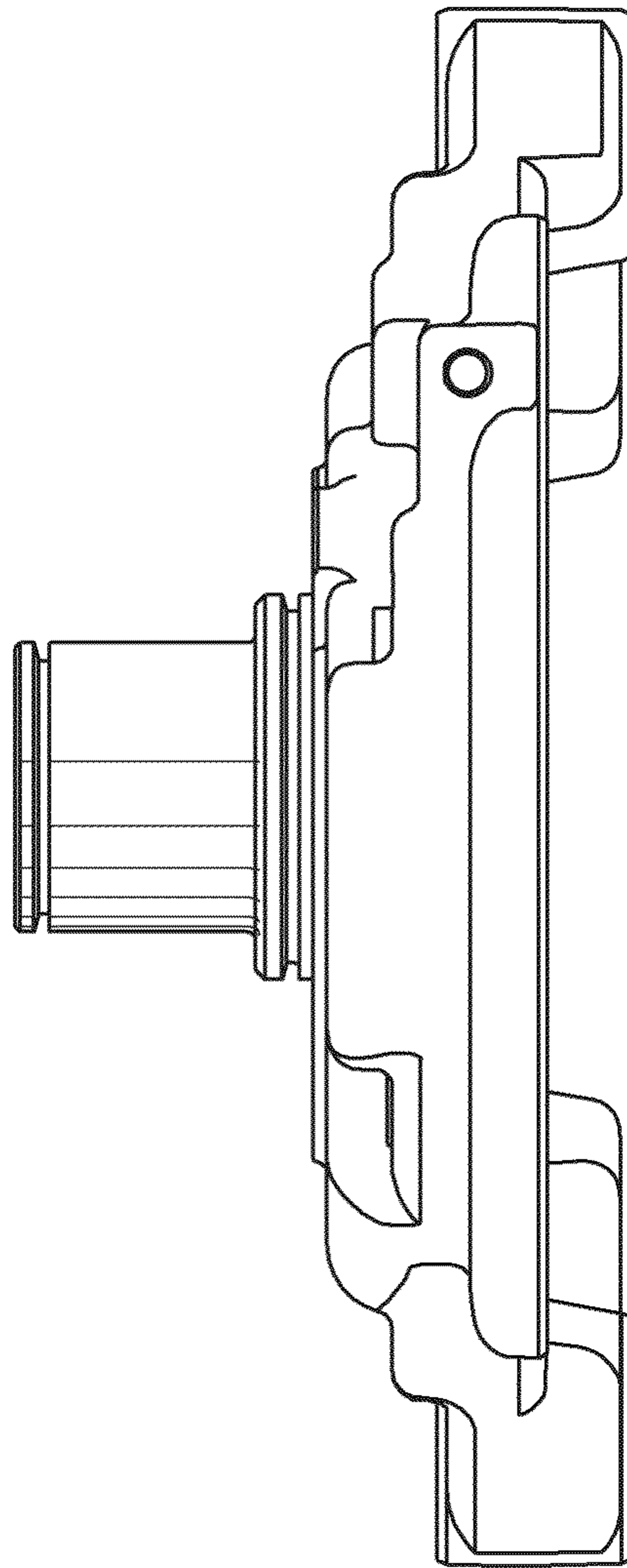


FIG. 6

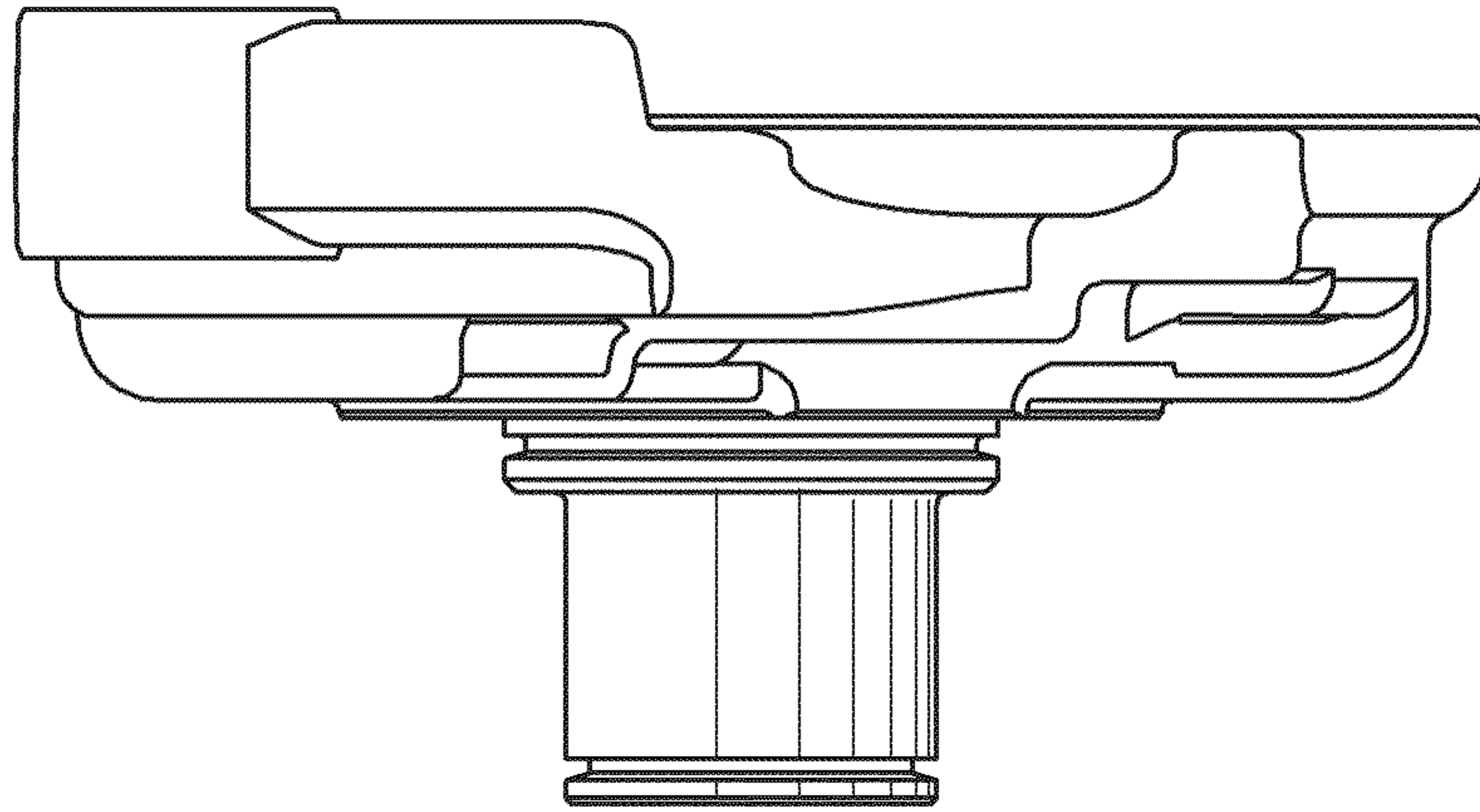


FIG. 7

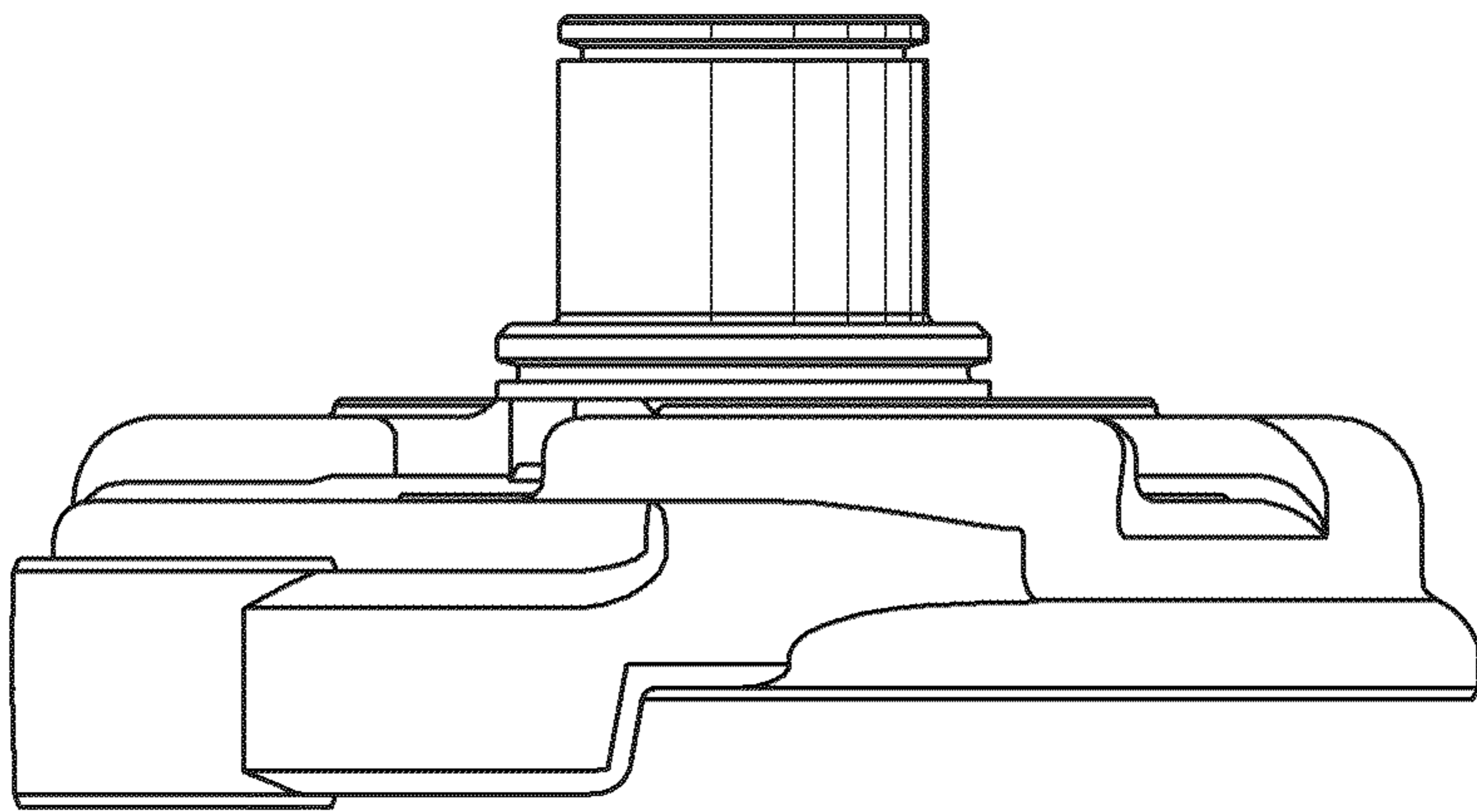


FIG. 8

