



US00D738924S

(12) **United States Design Patent**
Torres et al.

(10) **Patent No.:** **US D738,924 S**

(45) **Date of Patent:** **** Sep. 15, 2015**

(54) **DISPLAY SCREEN WITH ICON**

(71) Applicant: **Microsoft Corporation**, Redmond, WA (US)

(72) Inventors: **Ramiro Torres**, Seattle, WA (US); **Michael I. Guss**, Seattle, WA (US); **Alex Anthony Tursi**, Seattle, WA (US); **Silas Varga**, Seattle, WA (US)

(73) Assignee: **Microsoft Corporation**, Redmond, WA (US)

(**) Term: **14 Years**

(21) Appl. No.: **29/473,417**

(22) Filed: **Nov. 21, 2013**

(51) **LOC (10) Cl.** **14-04**

(52) **U.S. Cl.**
USPC **D14/495**

(58) **Field of Classification Search**
USPC D14/485–495; 715/835, 836, 837, 840, 715/846, 847, 976, 977
CPC ... G06F 3/048; G06F 3/0481; G06F 3/04817; G06F 3/0482
See application file for complete search history.

(56) **References Cited**

U.S. PATENT DOCUMENTS

D396,456 S * 7/1998 Bier D14/489
D424,545 S * 5/2000 Moody D14/489

D563,992 S *	3/2008	Lettau et al.	D14/493
D565,592 S	4/2008	Armstrong et al.	
D613,759 S	4/2010	Barcheck et al.	
D633,526 S *	3/2011	Trabona et al.	D14/495
D650,807 S *	12/2011	Impas et al.	D14/495
D667,459 S	9/2012	Phelan	
D677,279 S *	3/2013	Phelan	D14/495
D687,465 S *	8/2013	Ahn et al.	D14/495
D708,227 S *	7/2014	Lee	D14/495
D709,085 S *	7/2014	Wen	D14/487
D715,325 S *	10/2014	Phelan	D14/495
2009/0324137 A1 *	12/2009	Stallings et al.	382/306
2010/0077347 A1 *	3/2010	Kirtane et al.	715/803
2013/0268893 A1 *	10/2013	Maeda	715/835

* cited by examiner

Primary Examiner — Angela J Lee

(74) *Attorney, Agent, or Firm* — Banner & Witcoff, Ltd.

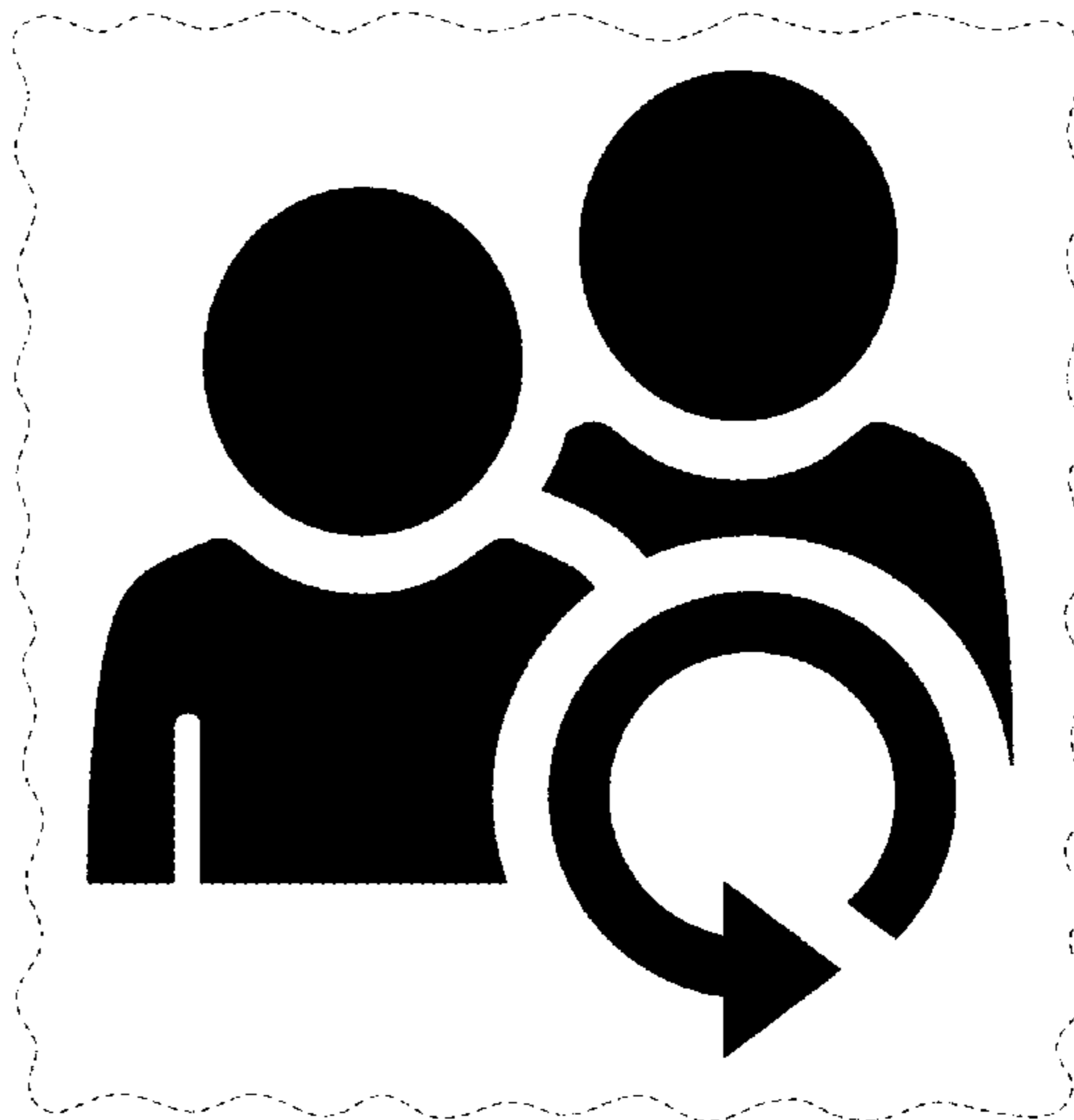
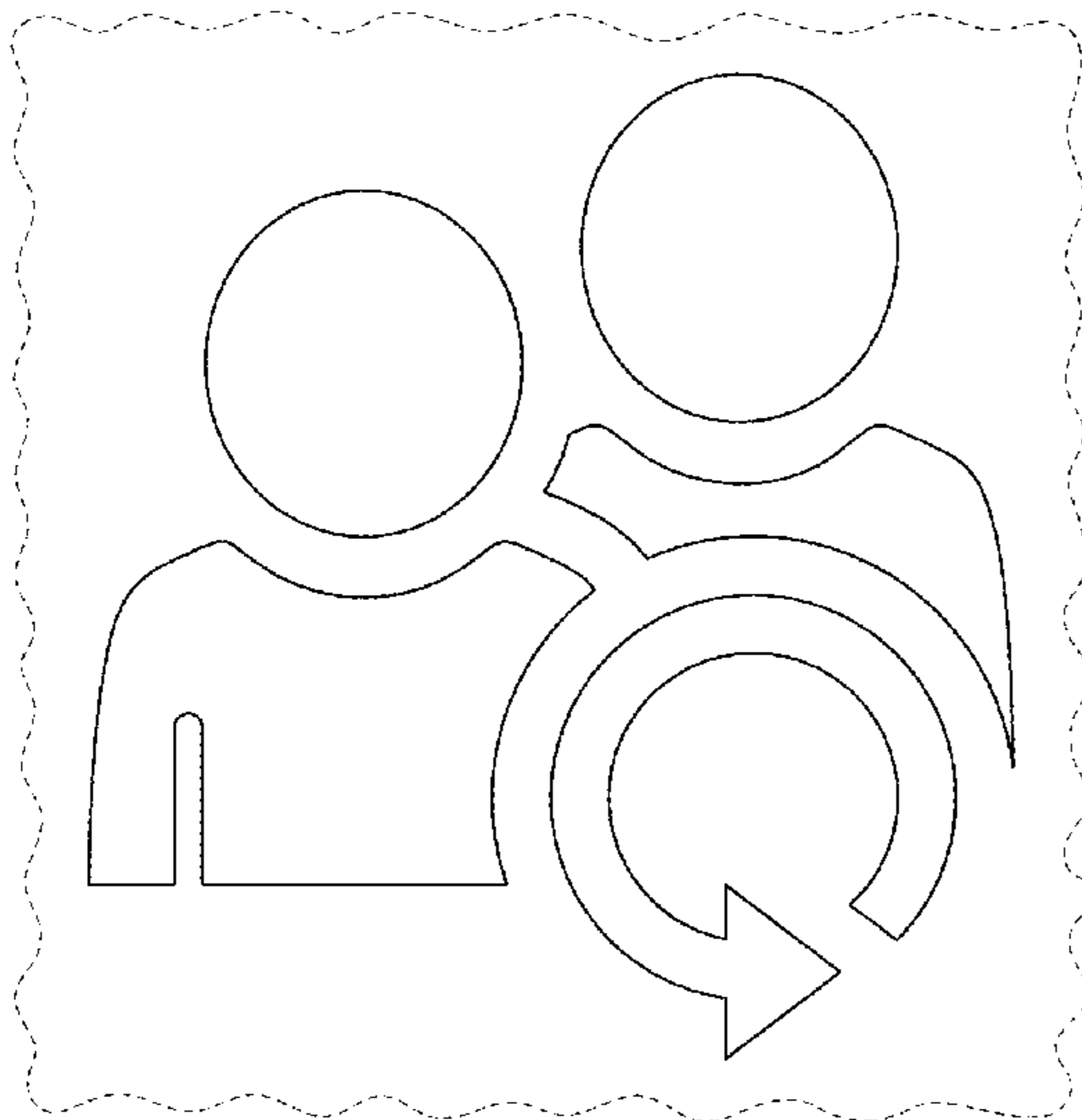
(57) **CLAIM**

The ornamental design for a display screen with icon, as shown and described.

DESCRIPTION

FIG. 1 is a front view of a display screen with icon showing our new design;
FIG. 2 is a front view of the display screen with icon showing an alternative embodiment of our new design; and,
FIG. 3 is a front view of the display screen with icon of FIG. 1 shown on a device.
The broken line showing of the remainder of the user interface and the remainder of the display screen is for environmental purposes only and forms no part of the claimed design.

1 Claim, 3 Drawing Sheets



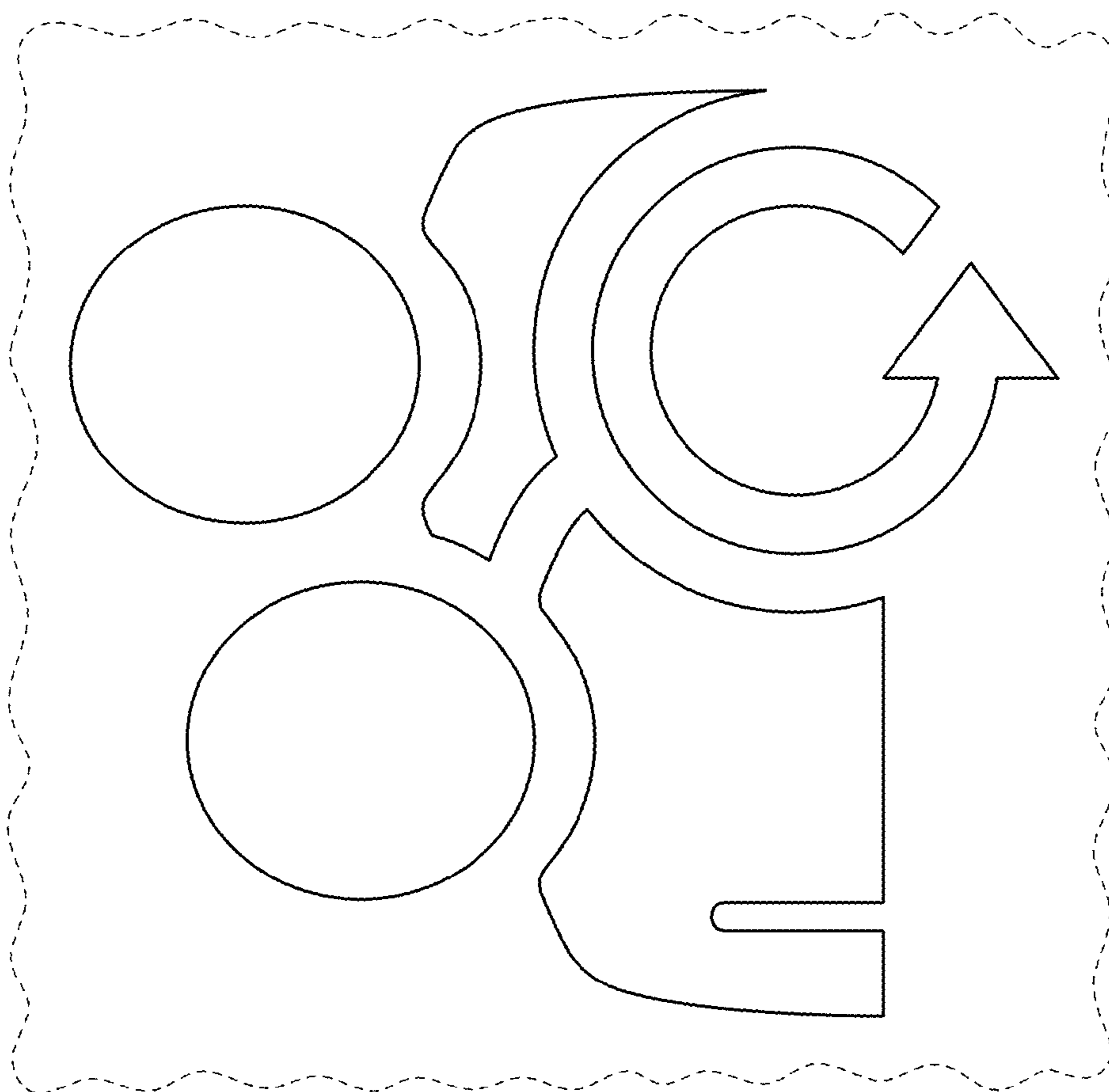


FIGURE 1

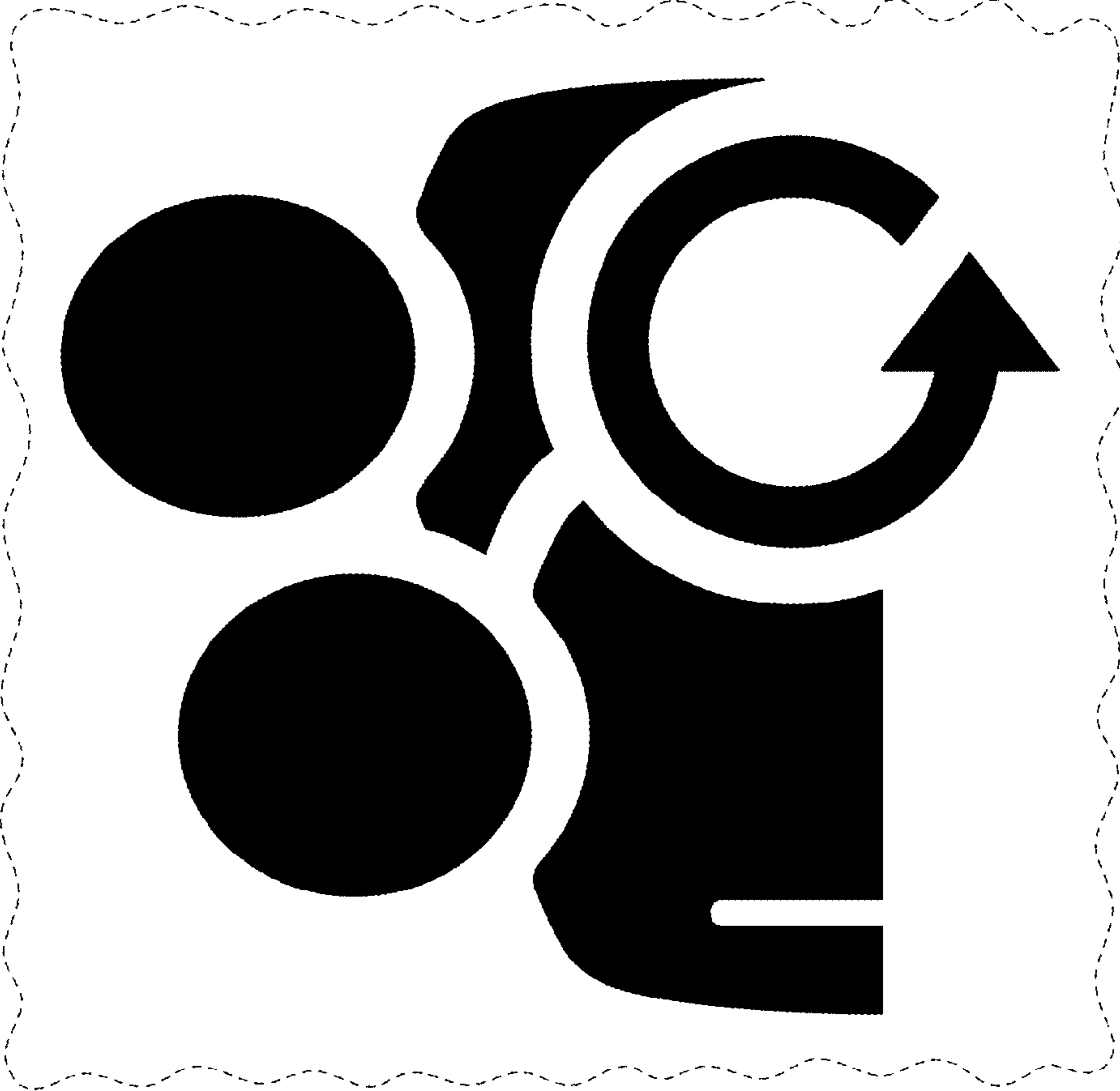


FIGURE 2

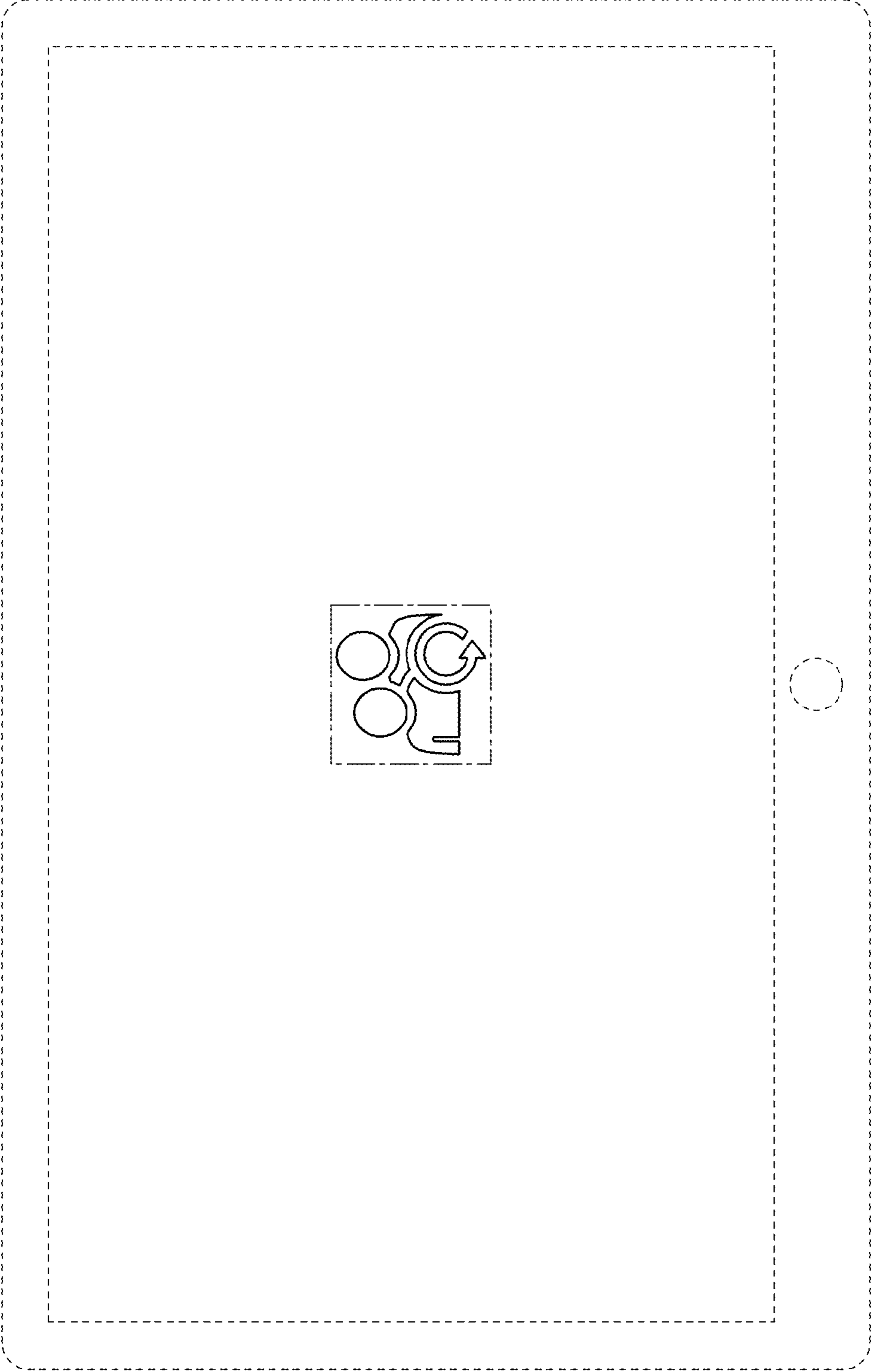


FIGURE 3